



# **ML-175 Parts Manual Phase 7**

---

---

**American Dryer Corporation**  
88 Currant Road  
Fall River, MA 02720-4781  
Telephone: (508) 678-9000 / Fax: (508) 678-9447  
e-mail: techsupport@amdry.com  
www.amdry.com

# Retain This Manual In A Safe Place For Future Reference

American Dryer Corporation products embody advanced concepts in engineering, design, and safety. If this product is properly maintained, it will provide many years of safe, efficient, and trouble-free operation.

*ONLY qualified technicians should service this equipment.*

**OBSERVE ALL SAFETY PRECAUTIONS** displayed on the equipment or specified in the installation manual included with the dryer.

The following “**FOR YOUR SAFETY**” caution **must be** posted near the dryer in a prominent location.

## FOR YOUR SAFETY

Do not store or use gasoline or other flammable vapors and liquids in the vicinity of this or any other appliance.

## POUR VOTRE SÉCURITÉ

Ne pas entreposer ni utiliser d'essence ni d'autres vapeurs ou liquides inflammables à proximité de cet appareil ou de tout autre appareil.

We have tried to make this manual as complete as possible and hope you will find it useful. ADC reserves the right to make changes from time to time, without notice or obligation, in prices, specifications, colors, and material, and to change or discontinue models.

## Important

For your convenience, log the following information:

DATE OF PURCHASE \_\_\_\_\_ MODEL NO. **ML-175** \_\_\_\_\_

RESELLER'S NAME \_\_\_\_\_

Serial Number(s) \_\_\_\_\_

\_\_\_\_\_

\_\_\_\_\_

Replacement parts can be obtained from your reseller or the ADC factory. When ordering replacement parts from the factory, you can FAX your order to ADC at (508) 678-9447 or telephone your order directly to the ADC Parts Department at (508) 678-9000. Please specify the dryer **model number** and **serial number** in addition to the **description** and **part number**, so that your order is processed accurately and promptly.

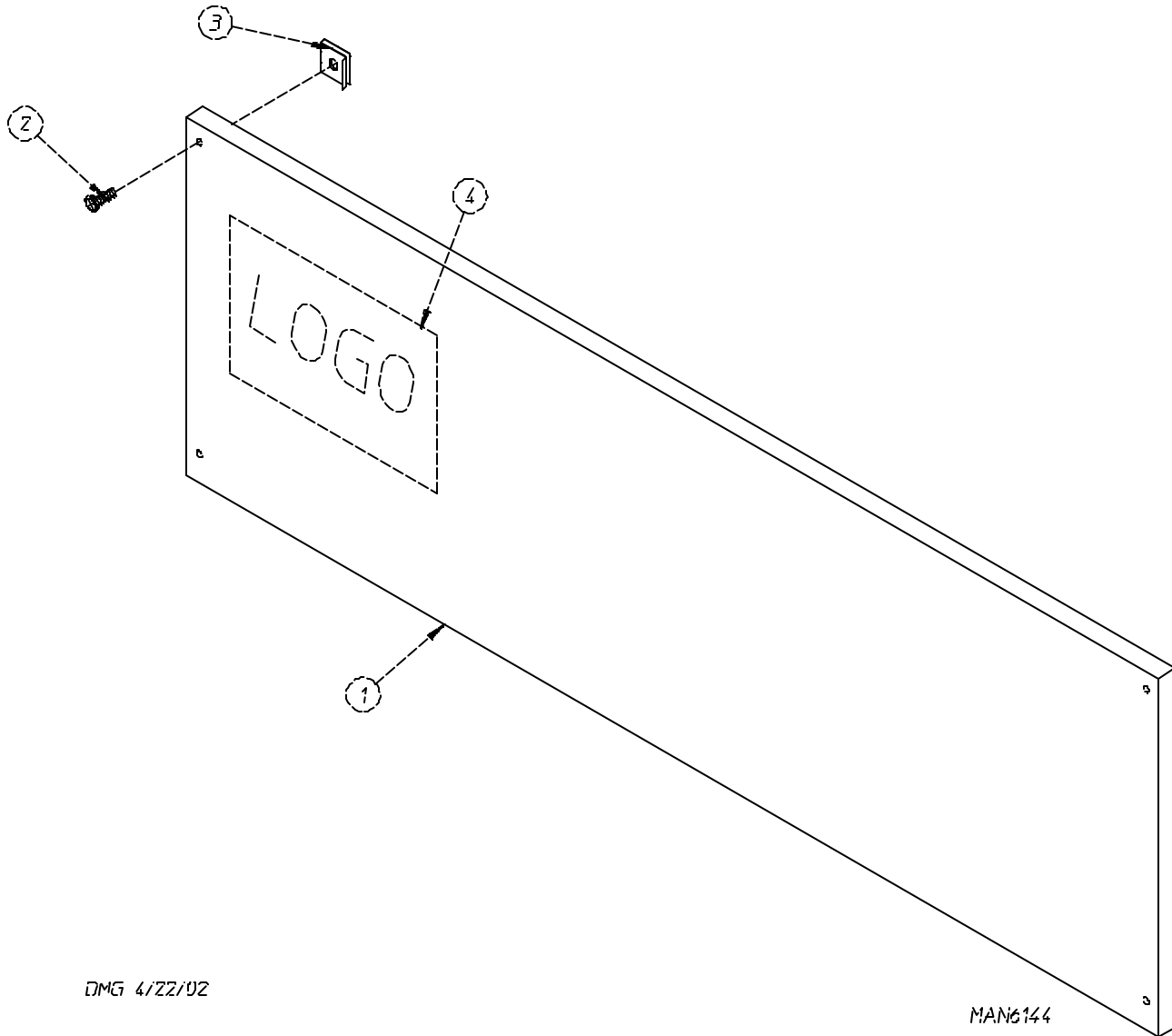
The illustrations on the following pages may not depict your particular dryer exactly. The illustrations are a composite of the various dryer models. Be sure to check the descriptions of the parts thoroughly before ordering.

### “IMPORTANT NOTE TO PURCHASER”

Information **must be** obtained from your local gas supplier on the instructions to be followed if the user smells gas. These instructions **must be** posted in a prominent location near the dryer.

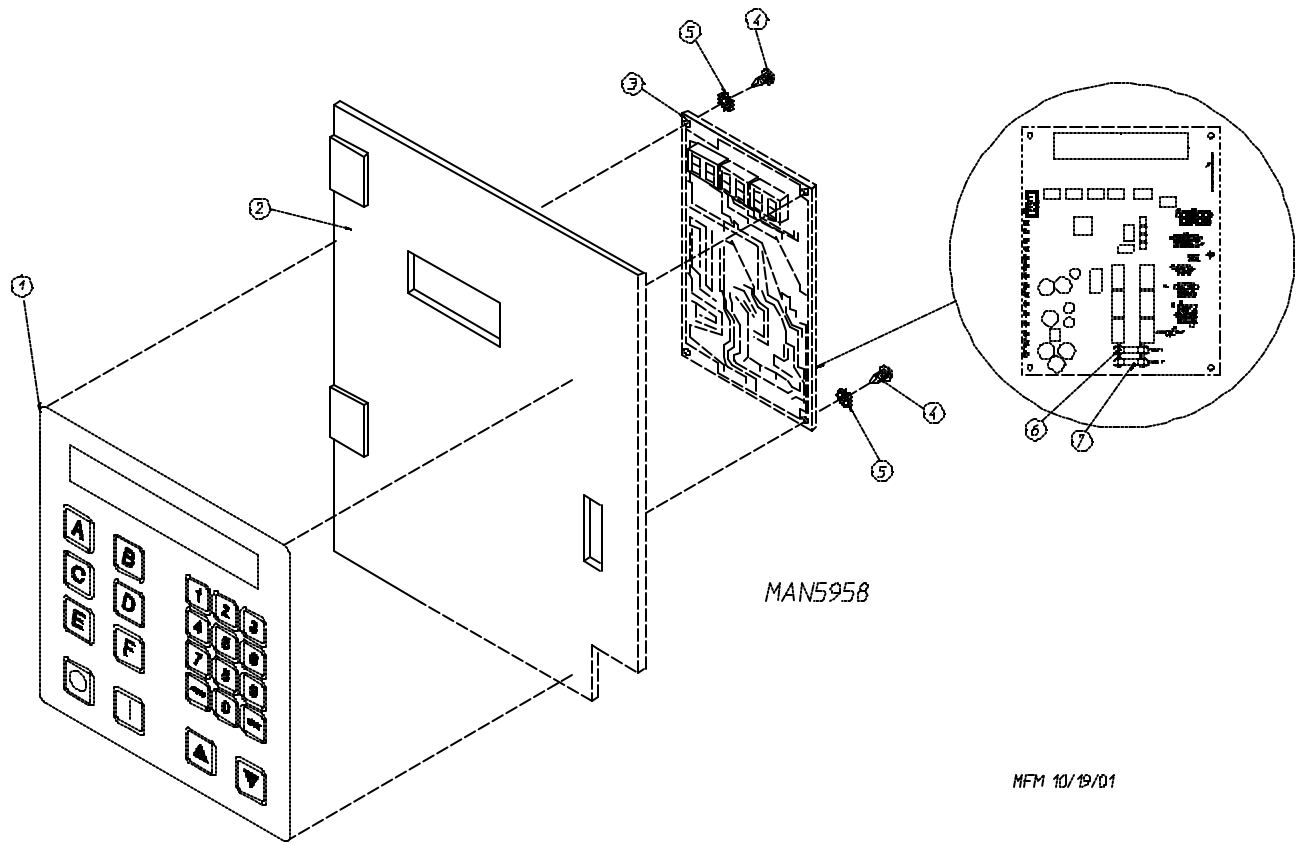
# ***Table of Contents***

Control Door Assembly .....	2
Phase 7 OPL Microprocessor Control Panel Assembly .....	3
Front Panel/Main Door Assemblies .....	4, 5
Main Door Switch Assembly .....	6
Basket (Tumbler) Assembly .....	7
Phase 7 Rotational Sensor Assembly .....	8
Lint Door Assembly .....	9
Lint Drawer/Lint Drawer Switch Box Assemblies .....	10
Fan (Squirrel Cage) Shaft Mount Assembly .....	11
Blower Motor Mount Assembly .....	12
Microprocessor Temperature Sensor Bracket Assembly .....	13
Drive Shaft Assembly .....	14
Idler Shaft Assembly .....	15
Speed Reducer Shaft Assembly .....	16
Totally Enclosed, Non-Venting (T.E.N.V.) Drive Motor Assembly .....	17
Direct Spark Ignition (DSI) Burner Assembly .....	18, 19
Sail Switch Assembly .....	20
Air Jet Assembly .....	21
Microprocessor Reversing Contactor Mounting Panel Assembly For 208-240 Volt Transformers For Models Mfd. as of August 29, 2002 .....	22, 23
Microprocessor Reversing Contactor Mounting Panel Assembly For 208-240 Volt Transformers For Models Mfd. prior to August 29, 2002 .....	24, 25
Microprocessor Reversing Contactor Mounting Panel Assembly For 380-416 Volt Transformers For Models Mfd. prior to August 29, 2002 .....	26, 27
Microprocessor Reversing Contactor Mounting Panel Assembly For 460-480 Volt Transformers For Models Mfd. prior to August 29, 2002 .....	28, 29
Steam Damper Assembly For Steam Models Only .....	30
Pneumatic Valve Assembly For Gas Models Only .....	31
Pneumatic Valve Assembly For Steam Models Only .....	32
Top Console Assembly .....	33
FSS Temperature Probe Assembly .....	34
FSS Solenoid Assembly .....	35
Back Guard Assemblies .....	36, 37

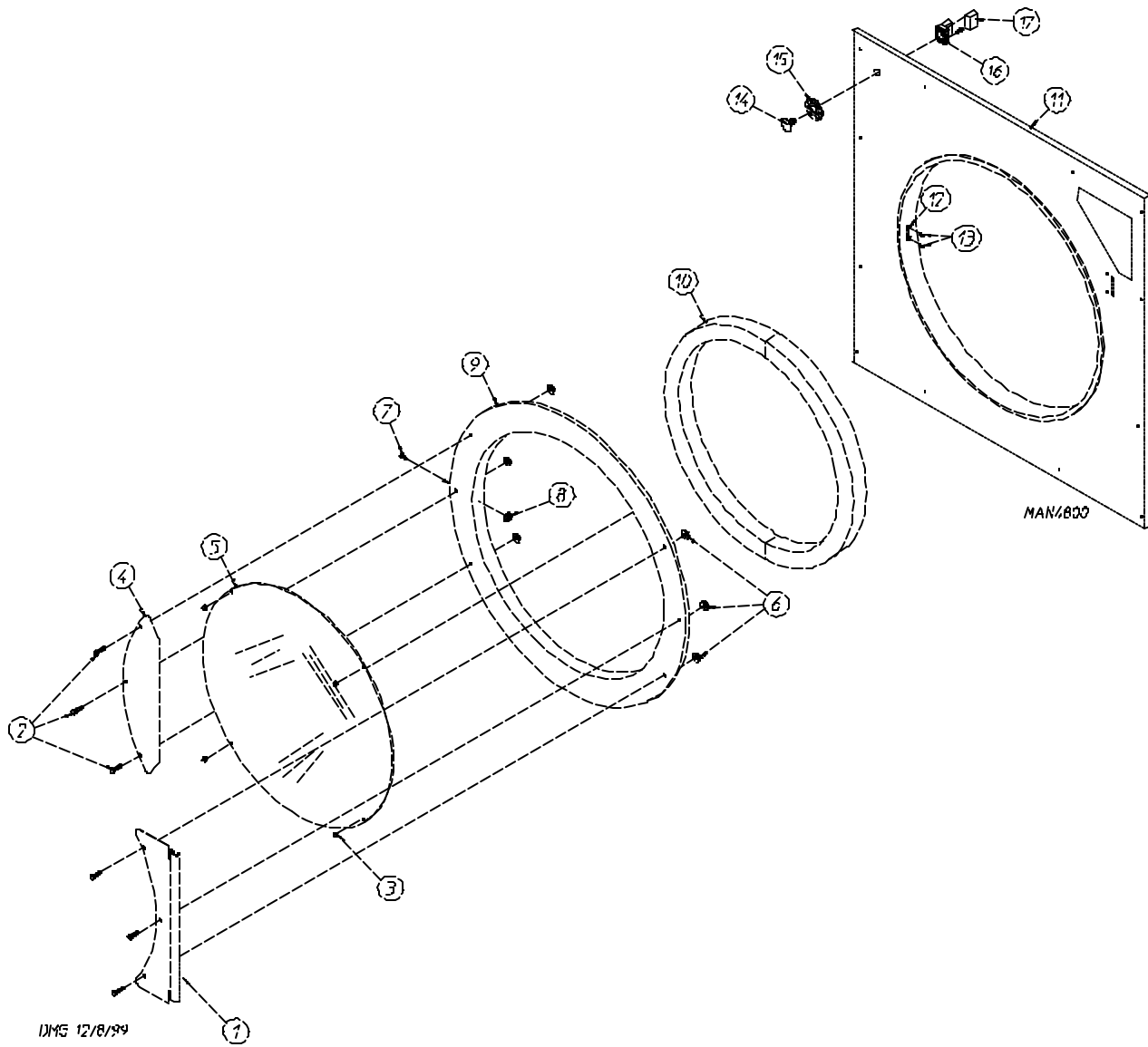


<u>Illus. No.</u>	<u>Part No.</u>	<u>Qty.</u>	<u>Description</u>
1*	883256	1	Phase 7 Control Door (gas)
	883322	1	Phase 7 Control Door (steam)
2	150314	4	#10-32 x 1/2" TORX Screw
3	154011	4	#10-32 Multi-Thread U-Nut
4	112373	1	Milnor Logo

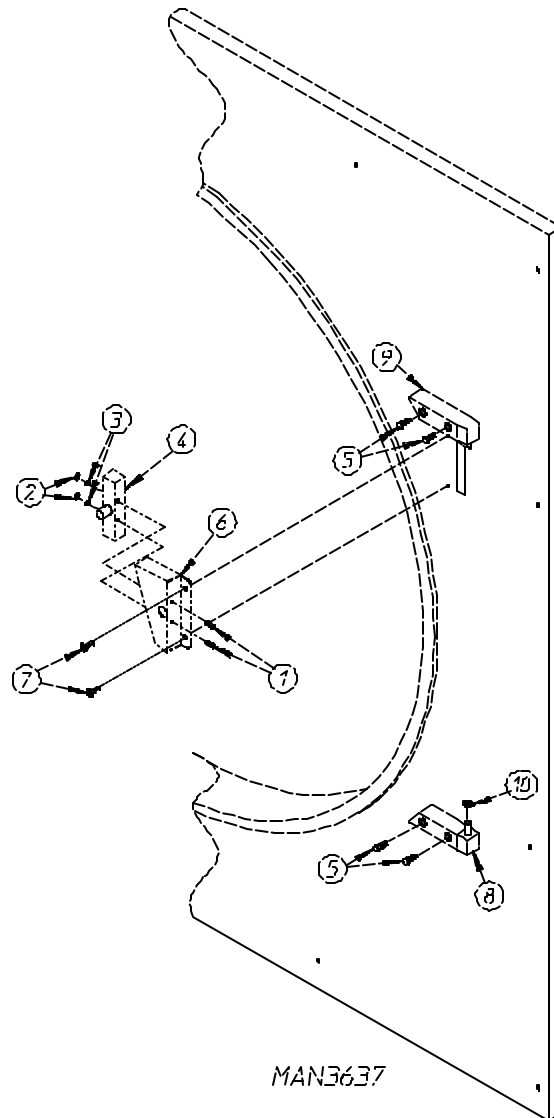
\* Specify color when ordering.



<u>Illus. No.</u>	<u>Part No.</u>	<u>Qty.</u>	<u>Description</u>
1	112571	1	Phase 7 OPL Keyboard
2	850980	1	Phase 7 Microprocessor Controller (computer) Panel ONLY
	822754	1	Phase 7 OPL Reversing Microprocessor Controller (computer) Control Panel Assembly Complete (includes illus. nos. 1 through 7)
3	137247	1	Phase 7 OPL Microprocessor Controller (computer) ONLY
4	150005	2	#6-32 x 3/4" Phillips Round Head Machine Screw
5	153010	2	#6 Star Washer
6	136016	1	5-Amp Fuse
7	136097	1	500-mA Fuse

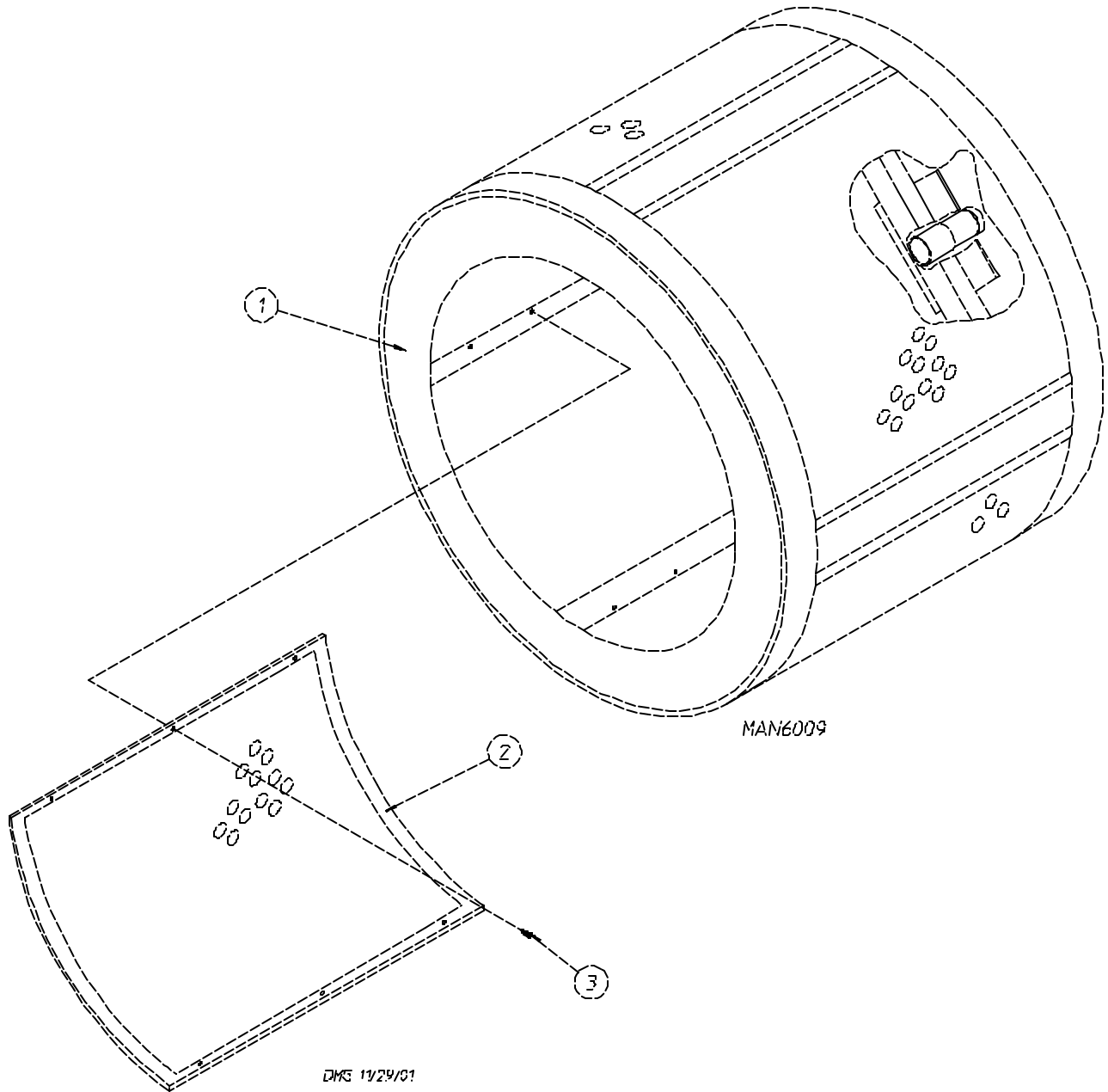


<u>Illus. No.</u>	<u>Part No.</u>	<u>Qty.</u>	<u>Description</u>
1	881685	1	White Main Door Hinge
	882296	1	Coral Wrinkle Blue Main Door Hinge
2	881740	6	1/4-20 x 5/8" White Carriage Bolt
	881739	6	1/4-20 x 5/8" Coral Wrinkle Blue Carriage Bolt
3	151012	1	#10-32 White Acorn Nut
4	881688	1	White Main Door Handle
	881737	1	Coral Wrinkle Blue Main Door Handle
5	102214	1	30" Door Glass
	170730	1	Door Glass Adhesive (10.3 oz. cartridge)
6	881806	6	1/4-20 White Free Spin Wash Nut
	882293	6	1/4-20 Coral Wrinkle Blue Free Spin Wash Nut
7	150120	1	Main Door Latch Screw (#10-32 dome hex head screw)
8	151010	1	#10-32 Acorn Nut
9	881689	1	White Main Door Assembly Complete (includes illus. nos. 2 through 10)
	881761	1	Coral Wrinkle Blue Main Door Assembly Complete (includes illus. nos. 2 through 10)
	881966	1	White Main Door Ring
	882305	1	Coral Wrinkle Blue Cold Rolled Steel (CRS) Large Main Door Ring
10	882411	1	Extruded Steel Door Gasket
11	882503	1	White Front Panel Assembly (includes illus. nos. 1, 15, and 16)
	882504	1	Coral Wrinkle Blue Front Panel Assembly (includes illus. nos. 1, 15, and 16)
12	170330	1	Friction Door Latch
13	154215	2	5/32" Pop Rivet
14	122351	1	"EMERGENCY STOP" (E-Stop) Push-Pull Button
15	122419	1	"EMERGENCY STOP" (E-Stop) Nameplate
16	132387	1	Normally Closed (N.C.) Contact Block
17	132395	1	Normally Closed (N.C.) Contact Block with Base



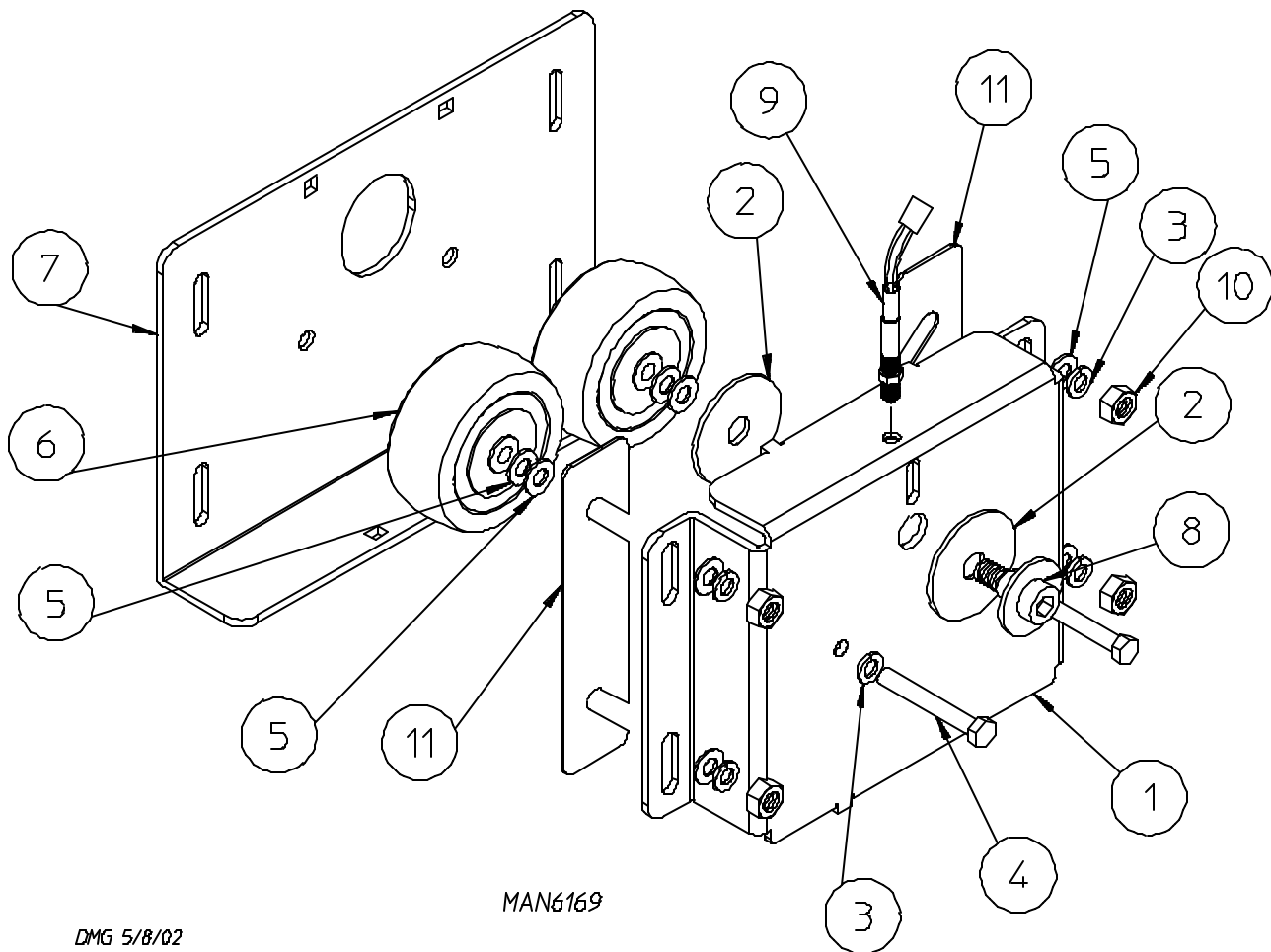
<u>Illus. No.</u>	<u>Part No.</u>	<u>Qty.</u>	<u>Description</u>
1	150006	2	#6-32 x 7/8" Phillips Pan Head Machine Screw
2	152013	2	#6-32 Hex Nut
3	153010	2	#6 Star Washer
4	137005	1	Single-Pole Door Switch
5	150443	4	1/4-20 x 3/4" Stainless Steel Cap Screw
6	881687	1	White Main Door Switch Housing ONLY
	881695	1	Coral Wrinkle Blue Main Door Switch Housing ONLY
	881702	1	White Main Door Switch with Housing Assembly (includes illus. nos. 1 through 4 and 6)
	881700	1	Coral Wrinkle Blue Main Door Switch with Housing Assembly (includes illus. nos. 1 through 4 and 6)
7	150443	2	1/4-20 x 3/4" Stainless Steel Cap Screw
8	881441	1	White Bottom Hinge Block
	881735	1	Coral Wrinkle Blue Bottom Hinge Block
9	881440	1	White Top Hinge Block
	881736	1	Coral Wrinkle Blue Top Hinge Block
10	153031	1	Nylon Washer



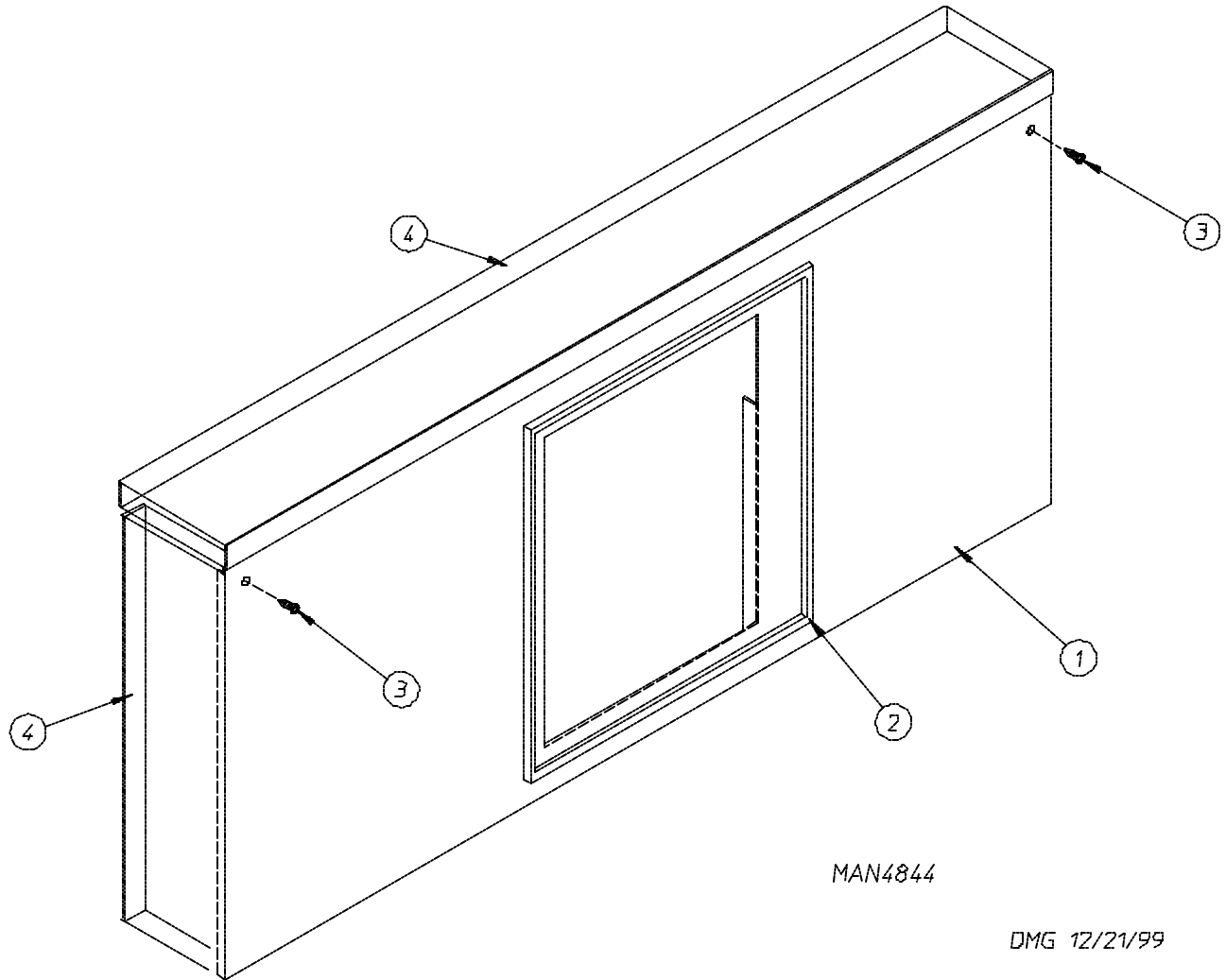


<u>Illus. No.</u>	<u>Part No.</u>	<u>Qty.</u>	<u>Description</u>
1	883577	1	Basket (tumbler) Assembly Complete (includes illus. nos. 1 through 3)
2	883578	4	Perforated Basket (tumbler) Panel
3	150118	24	1/4-20 x 1/4" Phillips Pan Head Screw
*	881619	1	Rotational Sensor Magnet

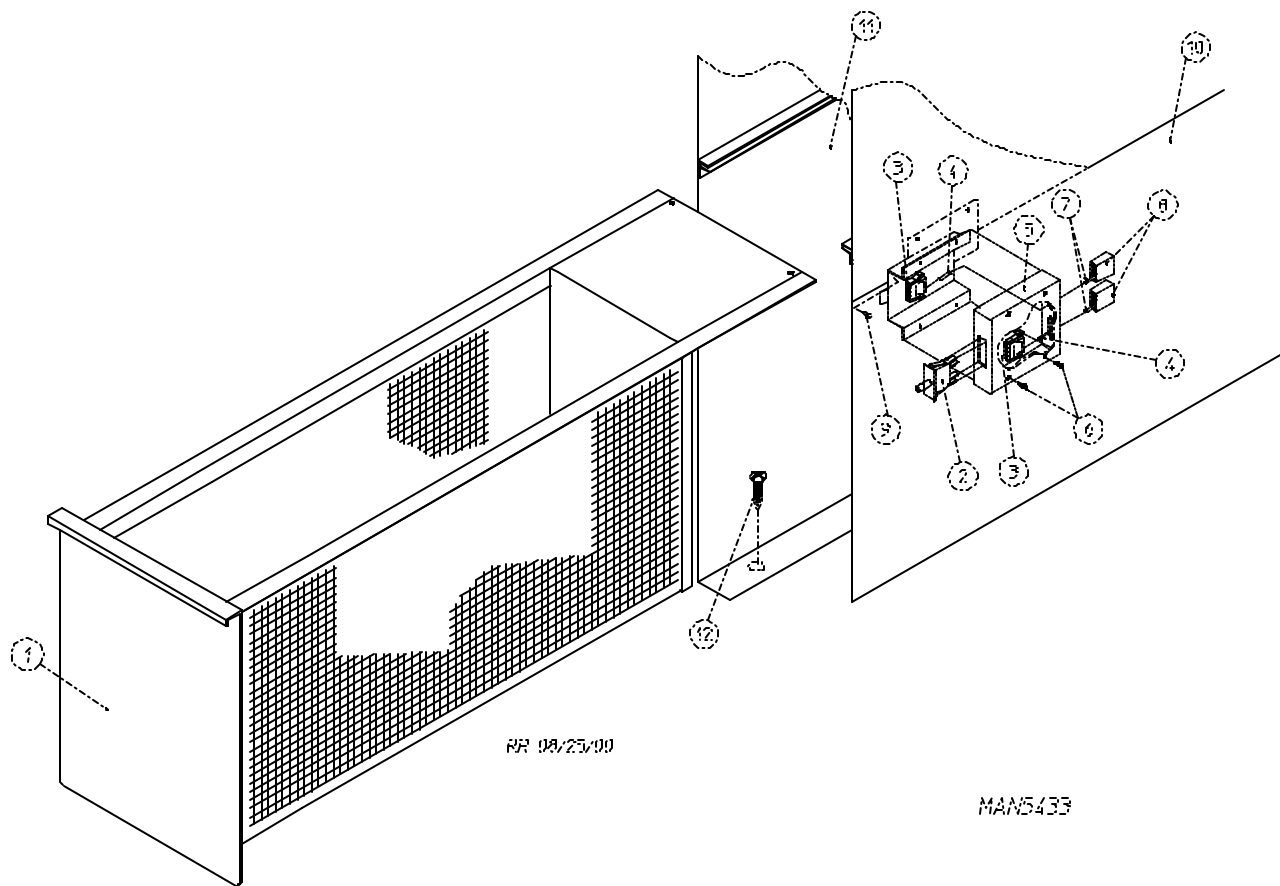
\* Not illustrated.



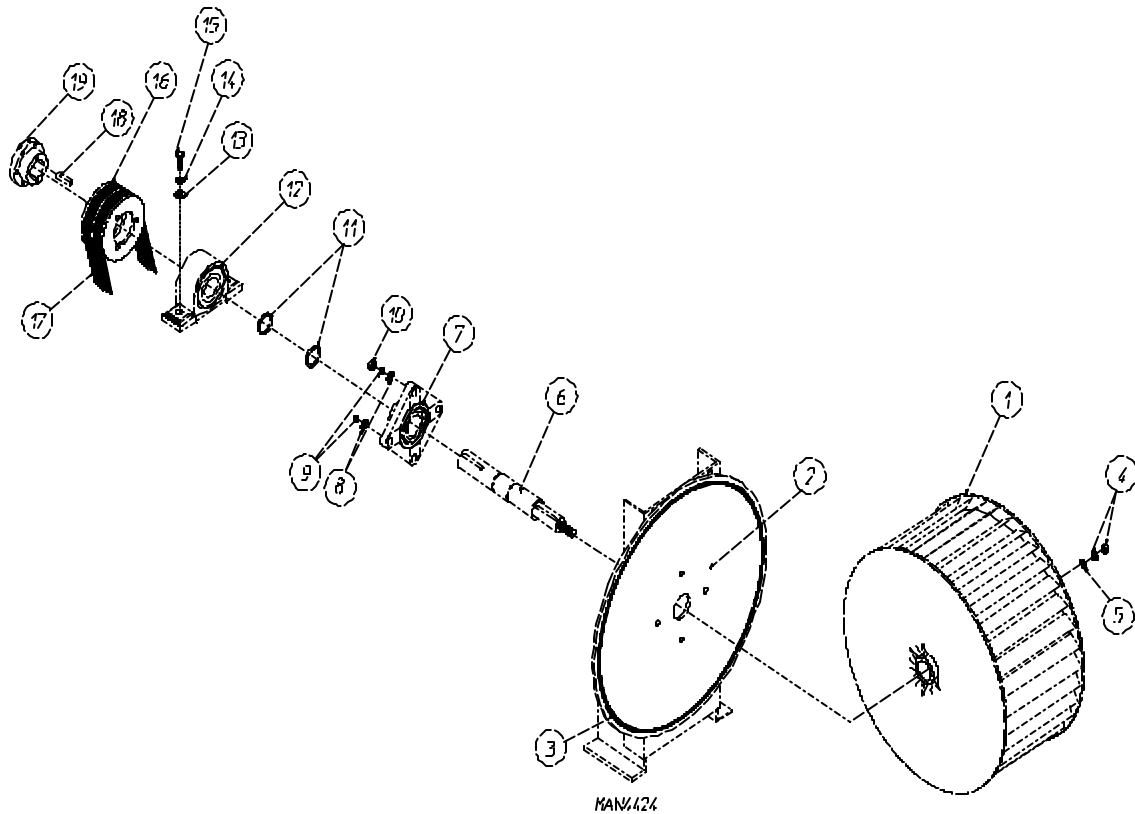
<u>Illus. No.</u>	<u>Part No.</u>	<u>Qty.</u>	<u>Description</u>
1	819064	1	Basket (tumbler) Shaft Support Assembly Complete (includes illus. nos. 1 through 8)
	835339	1	Basket (tumbler) Shaft Support Bracket
2	102394	2	Basket (tumbler) Friction Pad
3	153005	6	3/8" Lock Washer
4	150619	2	3/8-16 x 1" Tap Bolt
5	153004	8	3/8" Flat Washer
6	180018	4	4" x 1-1/2" Hi-Impact Wheel
7	819046	1	Basket (tumbler) Adjustment Plate
8	819065	1	Basket (tumbler) Shoulder Screw
9	822735	1	Phase 7 Rotational Sensor Assembly
10	152005	4	3/8-16 Hex Nut
11	323433	2	Rear Wheel Shim



<u>Illus. No.</u>	<u>Part No.</u>	<u>Qty.</u>	<u>Description</u>
1	882497	1	White Lint Door Assembly (includes illus. nos. 1, 2, and 4)
	882498	1	Coral Wrinkle Blue Lint Door Assembly (includes illus. nos. 1, 2, and 4)
2	117607	6	1/4" x 3/8" Poron Foam (sold by the foot)
3	150309	5	#10-16 x 1/2" Hex Head TEK Crimptite Screw
4	117604	9	Neoprene Sponge Tape (sold by the foot)

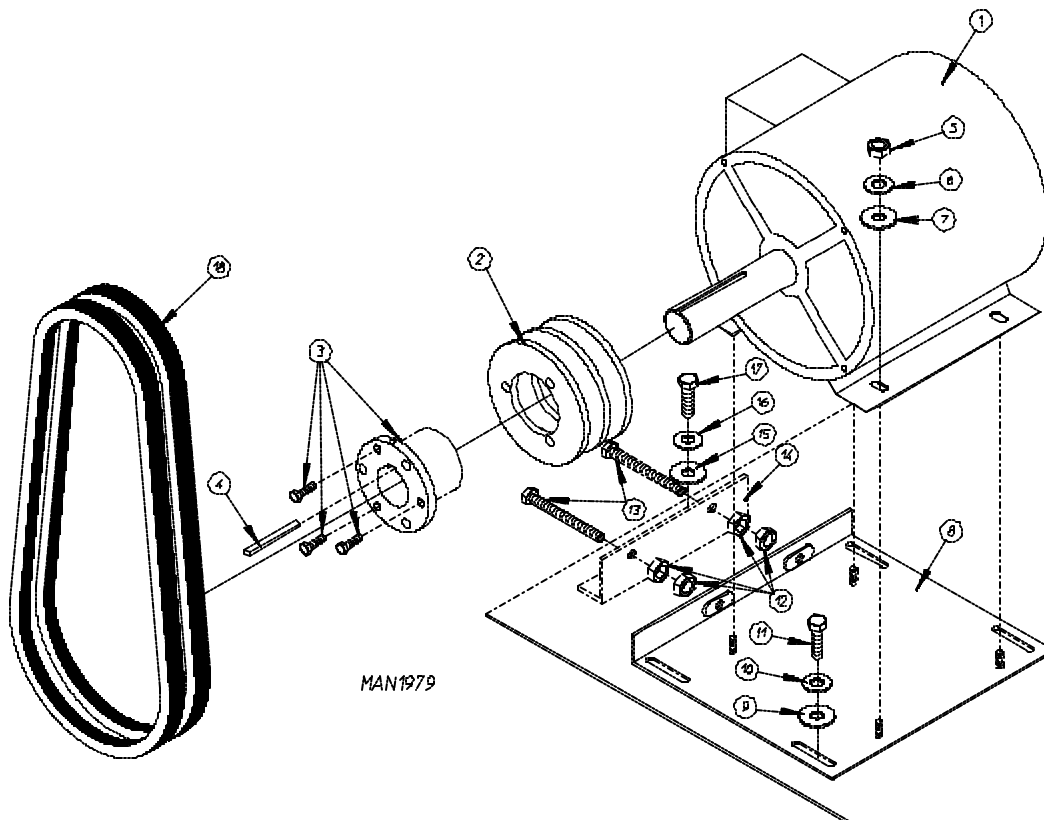


<u>Illus. No.</u>	<u>Part No.</u>	<u>Qty.</u>	<u>Description</u>
1	882792	1	White Lint Drawer/Screen Assembly
	882793	1	Coral Wrinkle Blue Lint Drawer/Screen Assembly
2	122116	1	Lint Drawer Switch ONLY
3	122605	1	4-Pin Socket Connector
4	122701	2	Socket Terminal ONLY
	122801	1	Pin/Socket Extraction Tool
5	882507	1	Lint Drawer Switch Box Assembly Complete (includes illus. nos. 3 through 6)
6	150301	4	#8-18 x 7/16" Phillips Pan Head TEK Screw
7	122700	2	Pin Terminal ONLY
8	122604	1	4-Pin Connector
9	150301	2	#8-18 x 7/16" Phillips Pan Head TEK Screw
10	319076	1	Right Hand Divider Panel
11	319077	1	Left Hand Divider Panel
12	150301	14	#8-18 x 7/16" Phillips Pan Head TEK Screw



Illus. No.	Part No.	Qty.	Description
1	100612	1	1-1/4" Bore x 15" Diameter x 6" Blower/Fan (squirrel cage)
2	821078	1	Fan Shaft Mount Assembly Complete (includes illus. nos. 1 through 16, 18, and 19)
	821073	1	Fan Shaft Mount ONLY
3	117604	4	Neoprene Sponge Tape (sold by the foot)
4	152006	2	1/2-20 Left Hand Jam Nut
5	153065	1	1/2" Flat Washer
6	882930	1	Fan Shaft Assembly (includes illus. nos. 7, 11, and 12)
7	-----	1	1-3/8" Flange Bearing with Setscrews and Grease Fitting (sold only as part of illus. no. 6)
8	153004	4	3/8" Flat Washer
9	153005	4	3/8" Lock Washer
10	152005	4	3/8-16 Hex Nut
11	100812	2	1-3/8" Retaining Ring
12	-----	1	1-3/8" Pillow Block Bearing (sold only as part of illus. no. 6)
13	153004	2	3/8" Flat Washer
14	153005	2	3/8" Lock Washer
15	150617	2	3/8-16 x 1" Hex Head Bolt
16	101177	1	2B x 5.8 Pulley (for gas models Only)
17*	100184	2	BX-63 Cogged Belt (fan shaft to blower motor) 50/60 Hz
*	100159	2	BX-61 Cogged Belt (fan shaft to blower motor) 575 Volt 60 Hz ONLY
18	100706	1	5/16" x 5/16" x 1-3/8" Key
19	101194	1	SDS x 1-3/8" Bushing ONLY

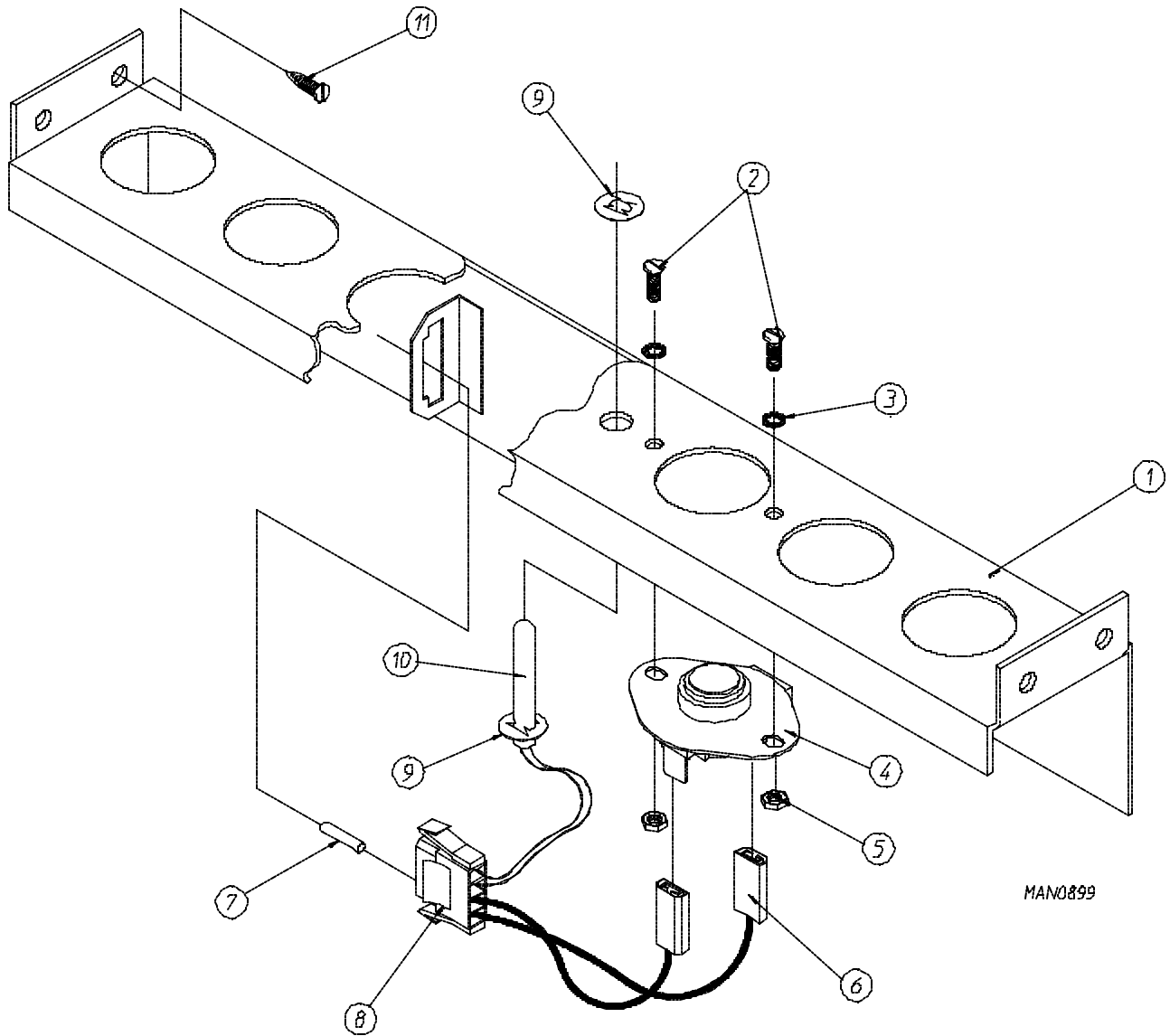
\* Replace in matched sets (both belts).



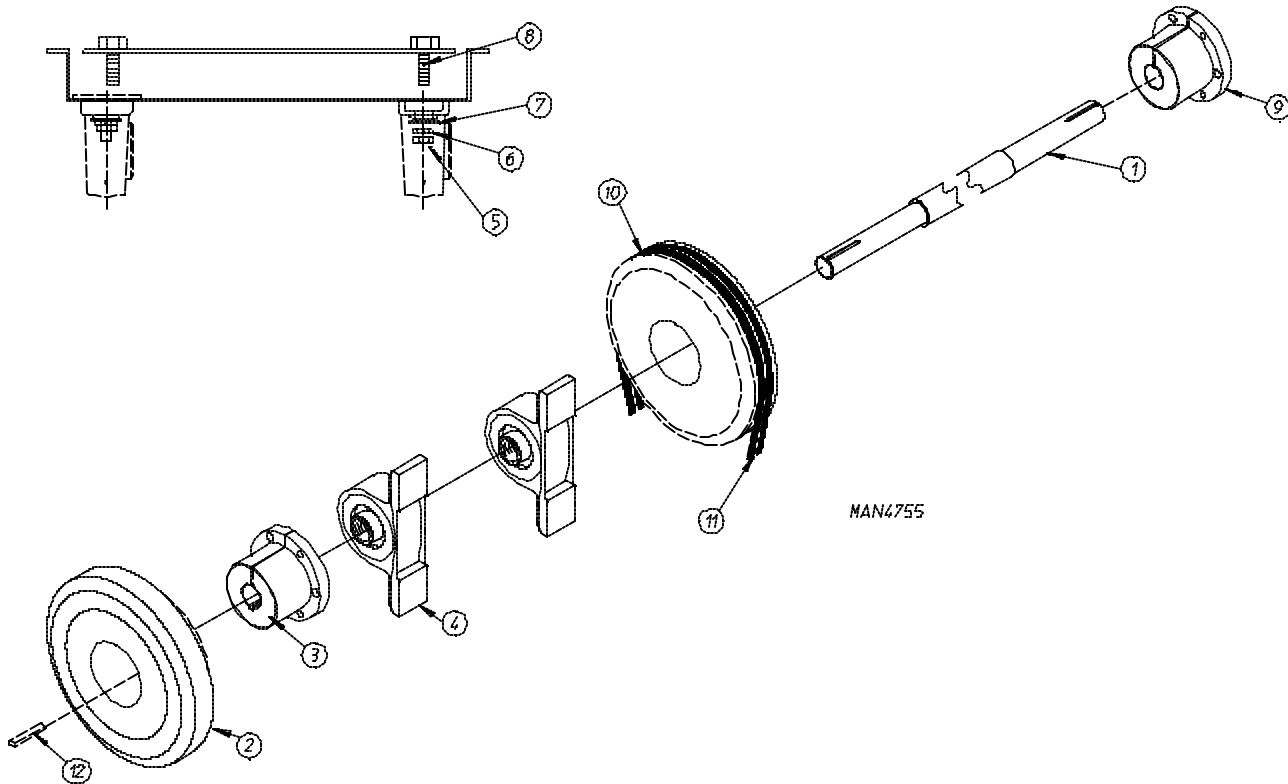
<u>Illus. No.</u>	<u>Part No.</u>	<u>Qty.</u>	<u>Description</u>
1	181030*	1	7.5 HP 208-230/460v 3 $\phi$ 60 Hz Motor ONLY
	181031*	1	7.5 HP 200-230/380-410v 3 $\phi$ 50 Hz Motor ONLY
	181039	1	7.5 HP 575v 3 $\phi$ 60 Hz Motor ONLY
2	101148	1	SB x 4.0 Motor Pulley (60 Hz)
	101147	1	SB x 4.8 Motor Pulley (50 Hz)
3	101152	1	SH x 1-3/8" Bushing (60 Hz)
	101194	1	SDS x 1-3/8" Bushing (50 Hz)
4	100706	1	5/16" x 5/16" x 1-3/8" Key
5	152004	4	5/16-18 Hex Nut
6	153002	4	5/16" Lock Washer
7	153001	4	5/16" Flat Washer
8	821091	1	Motor Mount Adjustment Plate ONLY
9	153001	4	5/16" Flat Washer
10	153002	4	5/16" Lock Washer
11	150501	4	5/16-18 x 3/4" Hex Head Machine Bolt
12	152004	4	5/16-18 Hex Nut
13	150503	2	5/16-18 x 2" Hex Head Machine Bolt
14	332322	1	Motor Mount Adjustment Angle ONLY
15	153001	2	5/16" Flat Washer
16	153002	2	5/16" Lock Washer
17	150501	2	5/16-18 x 3/4" Hex Head Machine Bolt
18**	100184	2	BX-63 Cogged Belt (matched sets) 50/60 Hz
**	100159	2	BX-61 Cogged Belt (matched sets) 575v 60 Hz ONLY

\* Specify voltage when ordering.

\*\* Replace in matched sets (both belts).



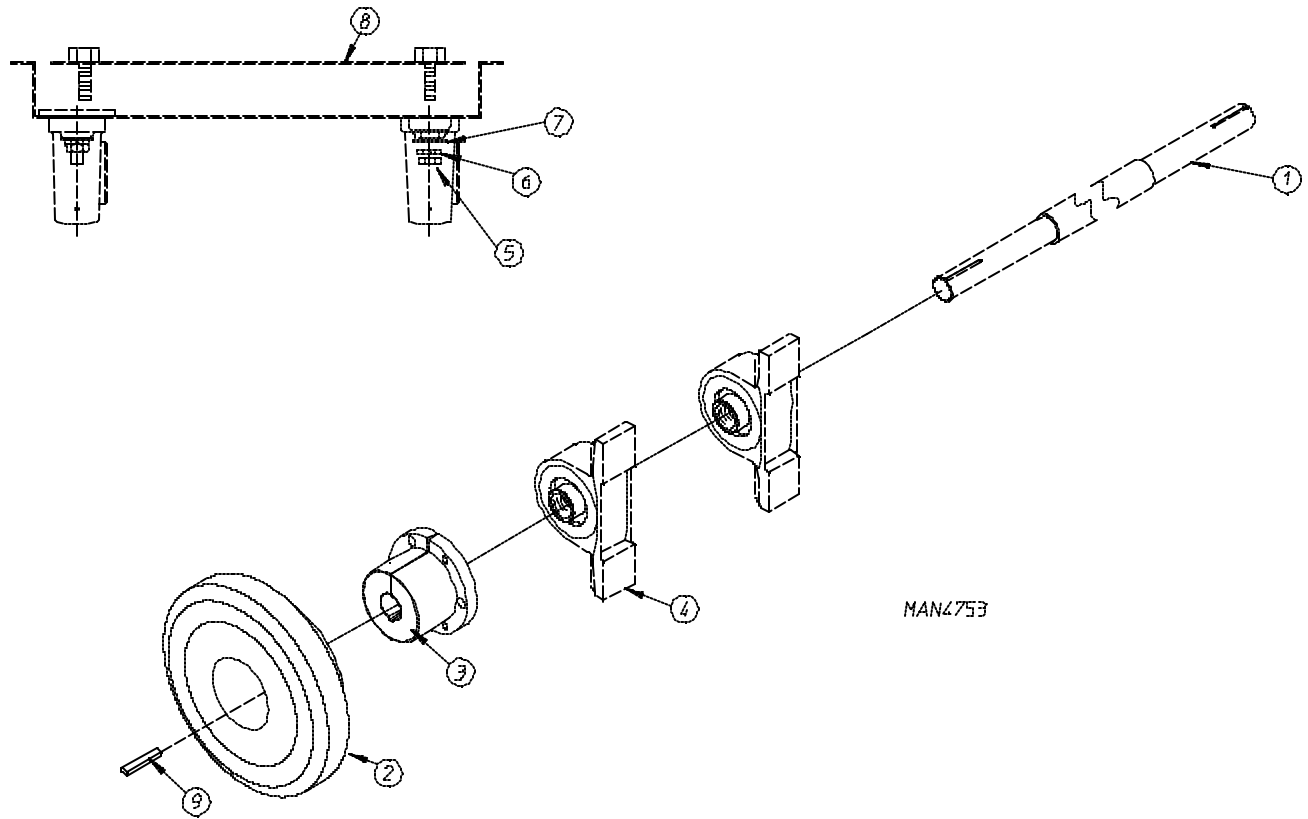
<u>Illus. No.</u>	<u>Part No.</u>	<u>Qty.</u>	<u>Description</u>
1	815931	1	Microprocessor Temperature Sensor Bracket Complete (includes illus. nos. 1 through 10)
	820967	1	Microprocessor Temperature Sensor Bracket ONLY
2	150005	2	#6-32 x 1/4" Phillips Round Head Machine Screw
3	153010	2	#6 Star Washer
4	130302	1	225° Manual Reset Thermostat ONLY
5	152000	2	#6-32 Hex Nut
6	121028	2	1/4" x .032 Insulated Terminal
7	122701	4	Socket Terminal ONLY
	122801	1	Pin/Socket Extraction Tool
8	122605	1	4-Pin Socket Connector
9	154007	2	1/4" Push On Fastener
10	880251	1	1/4" Temperature Sensor Probe Assembly (includes illus. nos. 6 through 10)
11	150301	4	#8-18 x 7/16" Phillips Pan Head TEK Screw



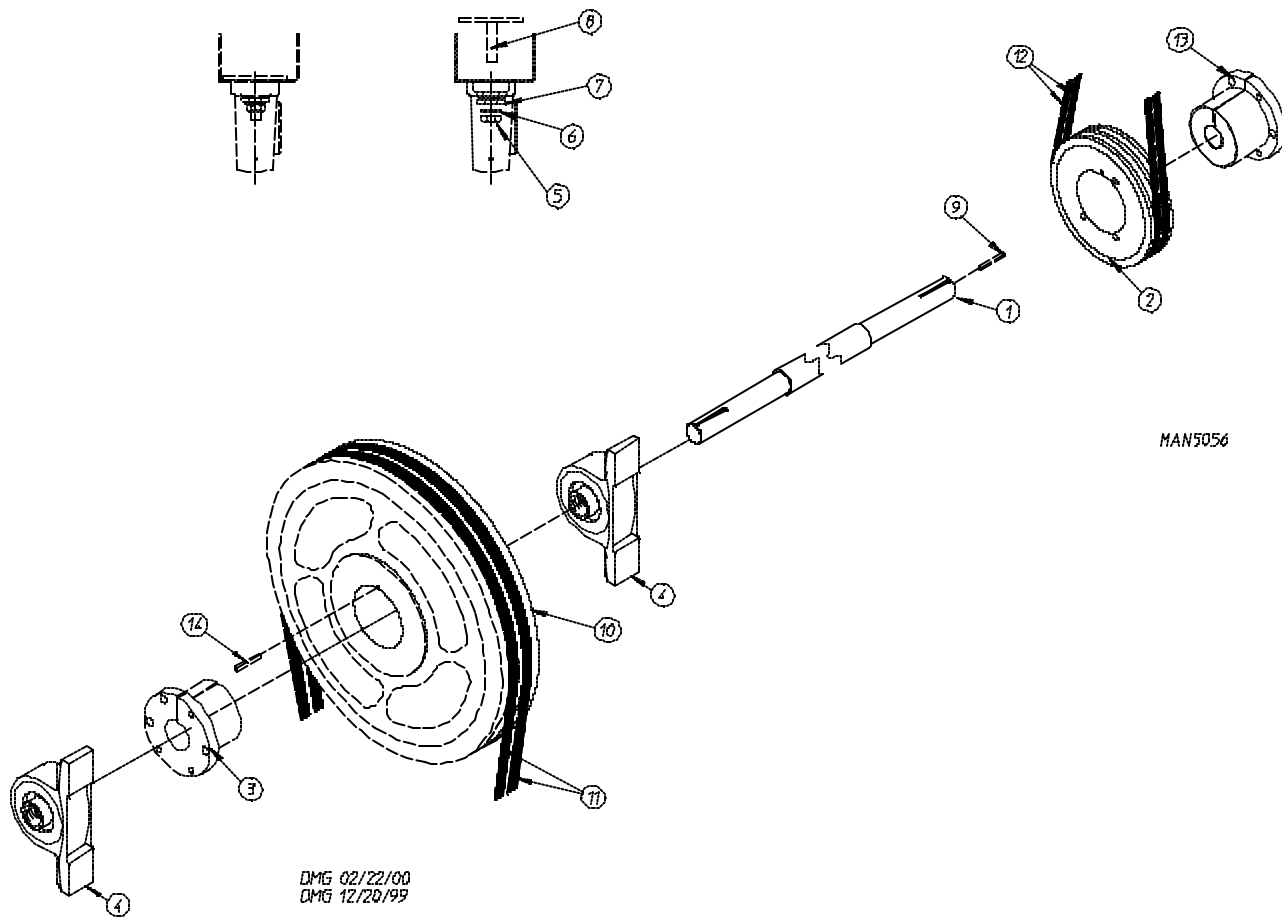
<u>Illus. No.</u>	<u>Part No.</u>	<u>Qty.</u>	<u>Description</u>
1	882460	1	Basket (tumbler) Shaft Assembly (includes illus. nos. 1 and 4)
2	180043	1	11" Drive Wheel
3	101234	1	1-3/8" Taper Lock Bushing
4	-----	2	1-1/2" Pillow Block Bearing (sold only as part of illus. no. 1)
5	152011	4	3/8-18 Hex Nut
6	153005	4	3/8" Lock Washer
7	153004	4	3/8" Flat Washer
8	835360	2	Bearing Backing Plate Assembly
9	101184	1	1-3/8" Bushing with Setscrew
10	101189	1	2B x 8.0 Pulley
11*	100140	2	BX-38 Cogged Belt
12	100717	1	5/16" x 5/16" x 2-3/4" Key

\* Replace in matched sets (both belts).



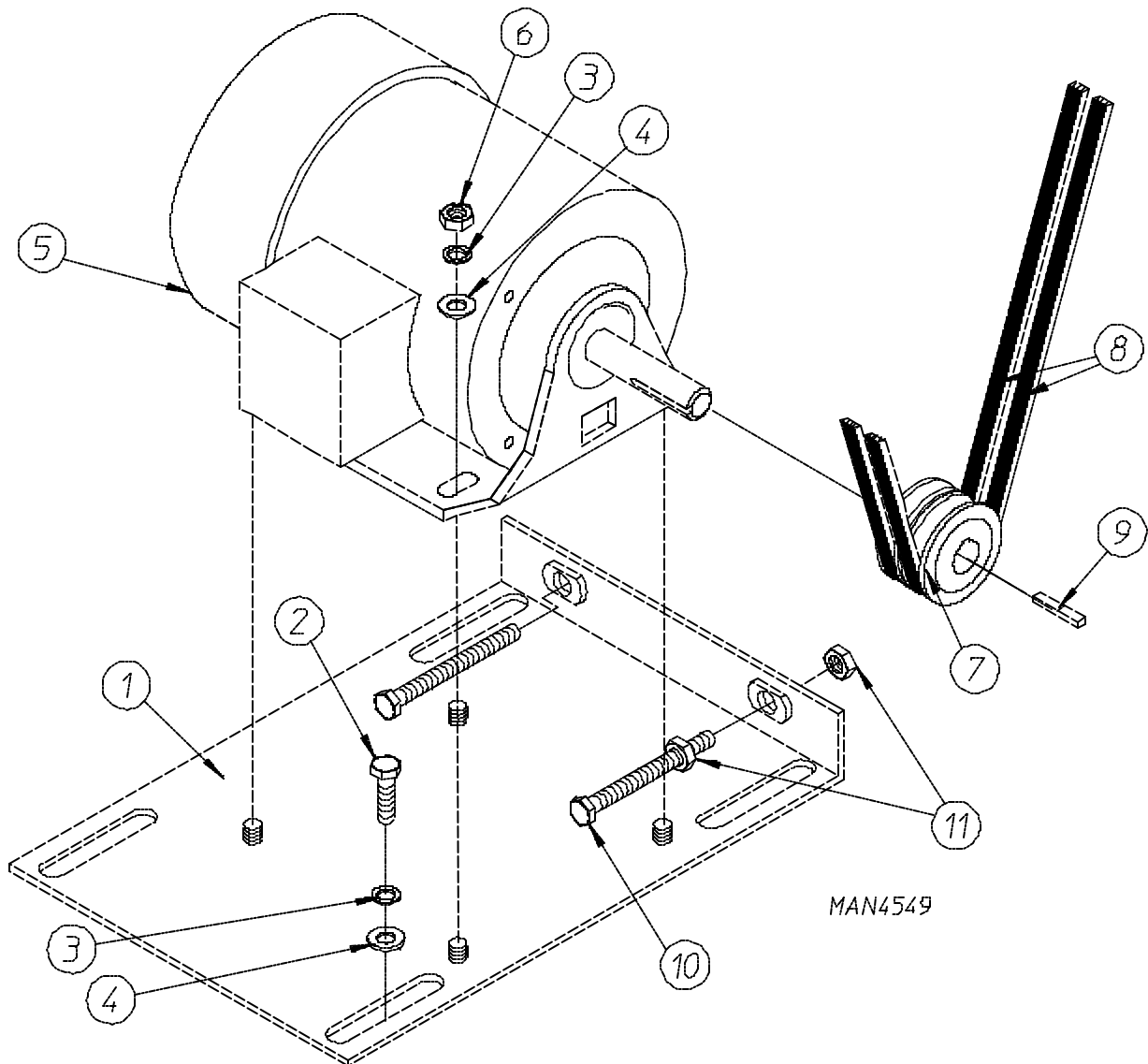


Illus. No.	Part No.	Qty.	Description
1	882460	1	Idler Shaft Assembly (includes illus. nos. 1 and 4)
2	180043	1	11" Drive Wheel
3	101234	1	1-3/8" Taper Lock Bushing
4	-----	2	1-3/8" Pillow Block Bearing (sold only as part of illus. no. 1)
5	152011	4	3/8-18 Hex Nut
6	153005	4	3/8" Lock Washer
7	153004	4	3/8" Flat Washer
8	835360	2	Bearing Backing Plate Assembly
9	100717	1	5/16" x 5/16" x 2-3/4" Long Key



<u>Illus. No.</u>	<u>Part No.</u>	<u>Qty.</u>	<u>Description</u>
1	882505	1	Speed Reducing Shaft Assembly (includes illus. nos. 1, 3, 4, and 10)
2	101160	1	2B x 3.4 SH Sheave
3	-----	1	1-3/8" Bushing with Setscrew (sold only as part of illus. no. 1)
4	-----	2	1-3/8" Pillow Block Bearing (sold only as part of illus. no. 1)
5	152005	4	3/8-16 Hex Nut
6	153005	4	3/8" Lock Washer
7	153004	4	3/8" Flat Washer
8	835361	2	Bearing Back Up Plate
9	100717	1	5/16" x 5/16" x 2-3/4" Long Key
10	-----	1	2B x 13.6" SK Sheave (sold only as part of illus. no. 1)
11*	100124	2	BX-53 Belt
12*	100140	2	BX-38 Cogged Belt
13	101152	1	SH x 1-3/8" Bushing (60 Hz) (includes illus. no. 9)
14	100717	1	5/16" x 5/16" x 2-3/4" Key

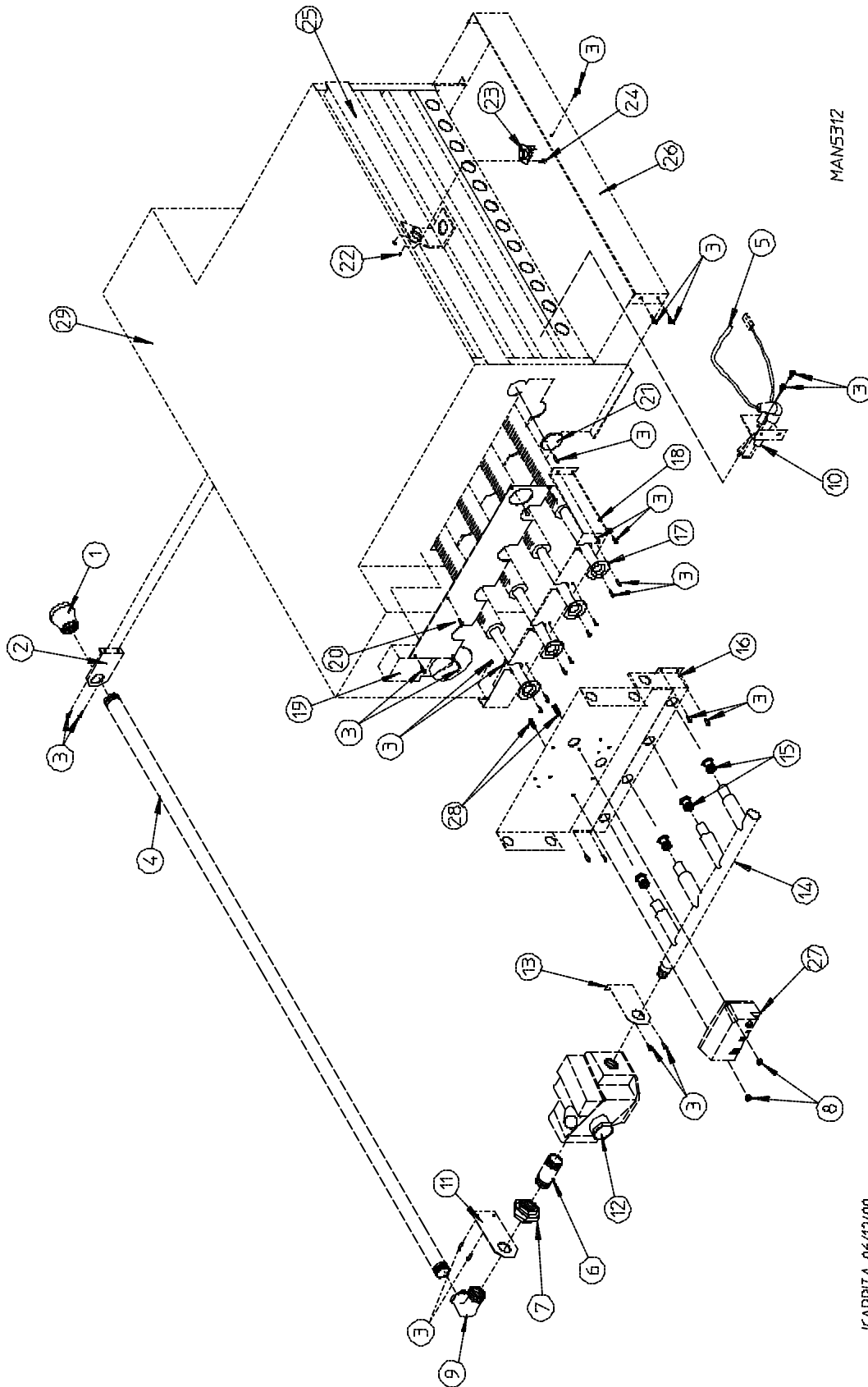
\* Replace in matched sets (both belts).



<u>Illus. No.</u>	<u>Part No.</u>	<u>Qty.</u>	<u>Description</u>
1	835297	1	Motor Adjustment Plate
2	150501	4	5/16-18 x 3/4" Hex Head Machine Bolt
3	153002	8	5/16" Lock Washer
4	153001	8	5/16" Flat Washer
5	882078	1	3 HP 208-230/380/416/460v 3ø 50/60 Hz Totally Enclosed, Non-Venting (T.E.N.V.) Motor
	181019	1	3 HP 575v 3ø 60 Hz Totally Enclosed, Non-Venting (T.E.N.V.) Motor
6	152004	4	5/16" Hex Nut
7	101235	1	1-1/8" Pulley
8*	100124	2	BX-53 Cogged Belt
9**	-----	1	5/16" Key
10	150619	2	3/8-16 x 3" Tap Bolt
11	152005	4	3/8-16 Hex Nut

\* Replace in matched sets (both belts).

\*\* Consult factory.



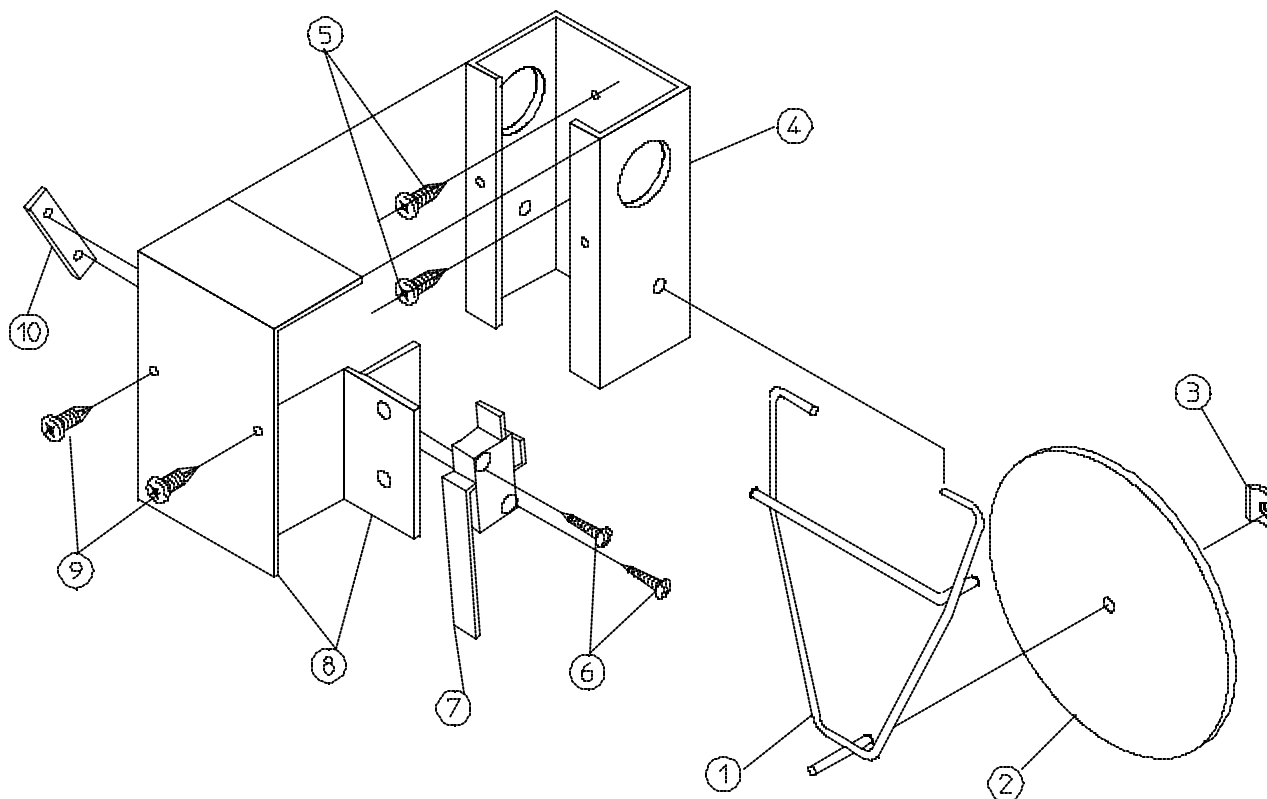
MAN5312

JCARRITA 06/12/00

<u>Illus. No.</u>	<u>Part No.</u>	<u>Qty.</u>	<u>Description</u>
1	142929	1	1-1/2" to 1" Reducing Coupling
2	332117	1	Pipe Bracket
3	150309	33	#10-16 x 1/2" Hex Head TEK Crimptite Screw
4	142583	1	1" x 40" Nipple
5	128919	1*	High Voltage (HV) Ignition Cable with Cap 36"
6	142808	1	1" x 3" Nipple
7	142602	1	1" Union
8	152013	2	#6-32 Hex Nut
9	142507	1	1" x 90° Street Elbow
10	128915	1	Direct Spark Ignition (DSI) Ignitor
11	332487	1	Gas Pipe Bracket Straight Extended
12	140017	1	1" 24 VAC Redundant Gas Valve (natural gas)
	882945	1	1" 24 VAC Gas Valve Liquid Propane (L.P.)
13	332486	1	Gas Pipe Bracket Bent Extended
14	141240	1	4-Port Manifold ONLY
15*	140839	4	#2 Burner Orifice (natural gas)
	140820	4	#29 Burner Orifice (liquid propane [L.P.] gas)
16	390169	1	Direct Spark Ignition (DSI) Mount Manifold Rest
17	881492	4	Burner Tube ONLY
18	332121	1	Burner Tube Support ONLY
19	-----	1	Sail Switch (refer to <b>Sail Switch Assembly</b> on <b>page 20</b> )
20	332113	1	Burner Box Cover Plate
21	331290	1	Ignitor/Flame-Probe Sight Hole Disc
22	151000	2	#6-32 Pal Nut
23	130201	1	330° Manual Reset Hi-Limit
24	150005	2	#6-32 x 1/4" Phillips Round Head Machine Screw
25	821457	1	Burner Hi-Limit Bracket
26	332256	1	Large Dryer Liquid Propane (L.P.) Burner Baffle (liquid propane [L.P.] models Only)
27	801048	1	Johnson Direct Spark Ignition (DSI) Module (3 tries)
28	153562	2	#6-32 x 3/4" Clinch Stud
29	835037**	1	Burner Assembly (natural gas Only) Complete (less orifice)
	821960**	1	Burner Assembly (liquid propane [L.P.] gas Only) Complete (less orifice)
	820904	1	Burner Box ONLY
	882118*	1	ML-175 Liquid Propane (L.P.) Conversion Kit

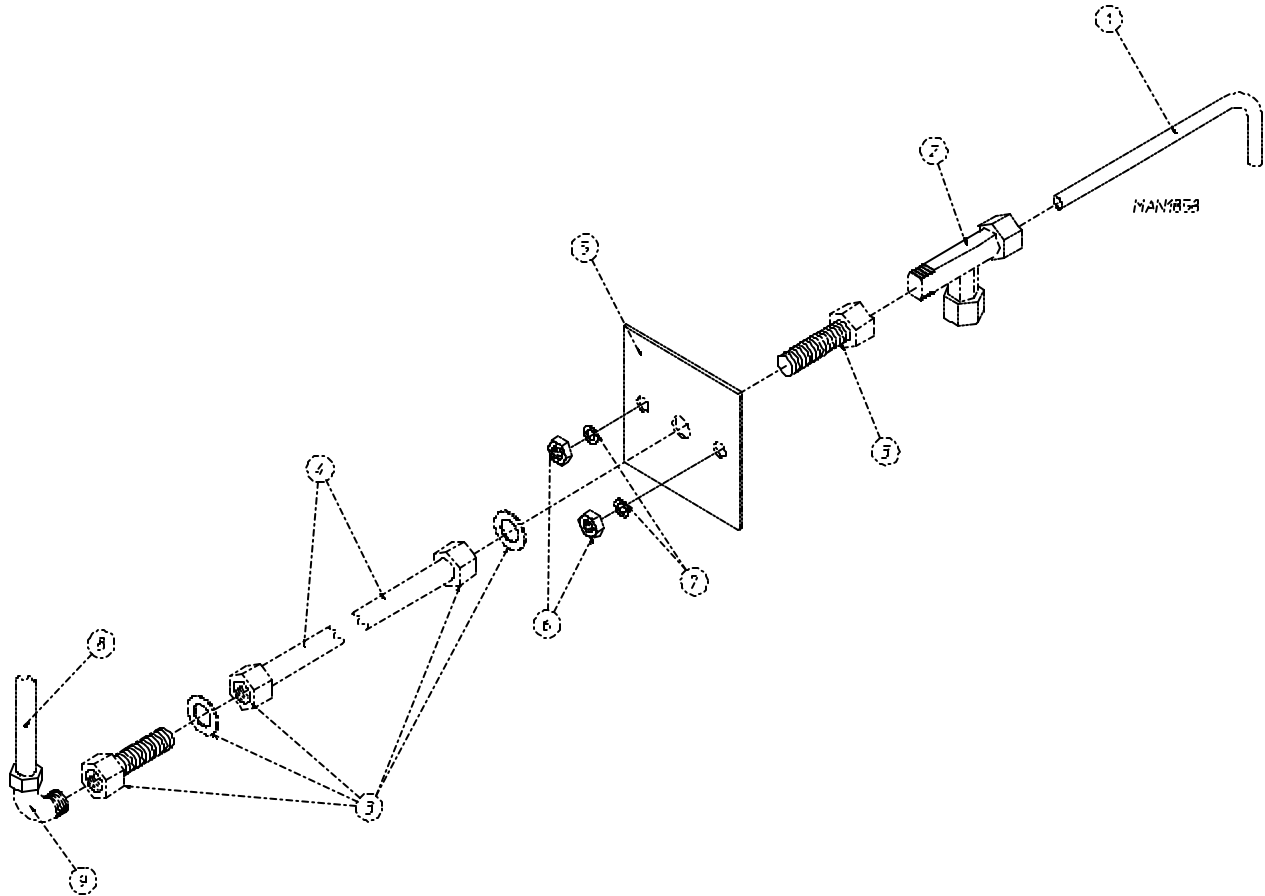
\* Consult factory for elevations over 2,000 feet.

\*\* Orifices *are not included* and **must be** ordered separately.



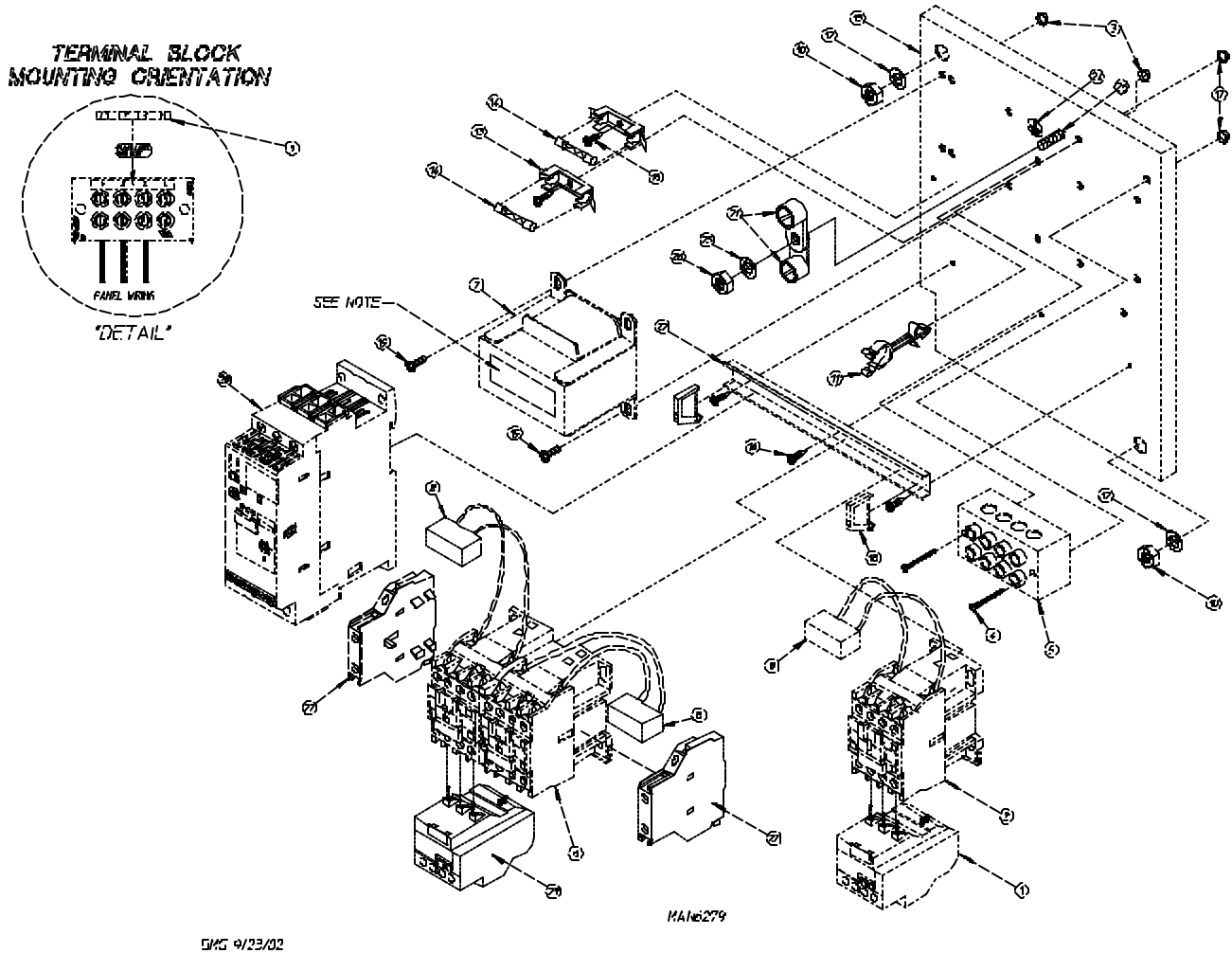
MAN0440

<u>Illus. No.</u>	<u>Part No.</u>	<u>Qty.</u>	<u>Description</u>
1	105500	1	Sail Switch Actuator Rod
2	319202	1	Sail Switch Damper (flat)
3	154002	1	1/8" Push On Fastener
4	802800	1	Sail Switch Box with Cover and Bracket ONLY
	802801	1	Sail Switch Box Assembly Complete (includes illus. nos. 1 through 4 and 6 through 10) For Microprocessor Controller (computer) Models ONLY
	882010	1	Sail Switch Box Assembly Complete (includes illus. nos. 1 through 4 and 6 through 10) For Dual Timer Models ONLY
5	150300	2	#10-16 x 1/2" Hex Washer TEK Screw
6	150303	2	#4 x 3/4" Pan Head "A" Machine Screw
7	122200	1	Sail Switch ONLY (for microprocessor controller [computer] models Only)
	122404	1	Sail Switch ONLY (for dual timer models Only)
8	802799	1	Sail Switch Box Cover and Bracket ONLY
9	150309	2	#10-16 x 1/2" Hex Head TEK Crimpite Screw
10	154004	1	Twin Speed Nut



<u>Illus. No.</u>	<u>Part No.</u>	<u>Qty.</u>	<u>Description</u>
1	332700	1	Air Jet Tube ONLY
2	143287	1	1/4" x 1/8" M.P.T. Male Run Tee
3	143259	2	1/4" x 1/8" F.P.T. Bulkhead Fitting
4	143100	3	1/4" Aluminum Tube (sold by the foot)
5	821081	1	Air Jet Mounting Plate ONLY (includes illus. nos. 1 through 9)
	332531	1	Air Jet Mounting Plate ONLY
6	152002	2	1/4-20 Hex Nut
7	153007	2	1/4" Lock Washer
8	143110	5	1/4" Poly-Flo Tubing (sold by the foot)
9	143149	1	1/4" x 1/8" M.P.T. 90° Elbow

For 208-240 Volt Transformers  
For Models Mfd. as of August 29, 2002



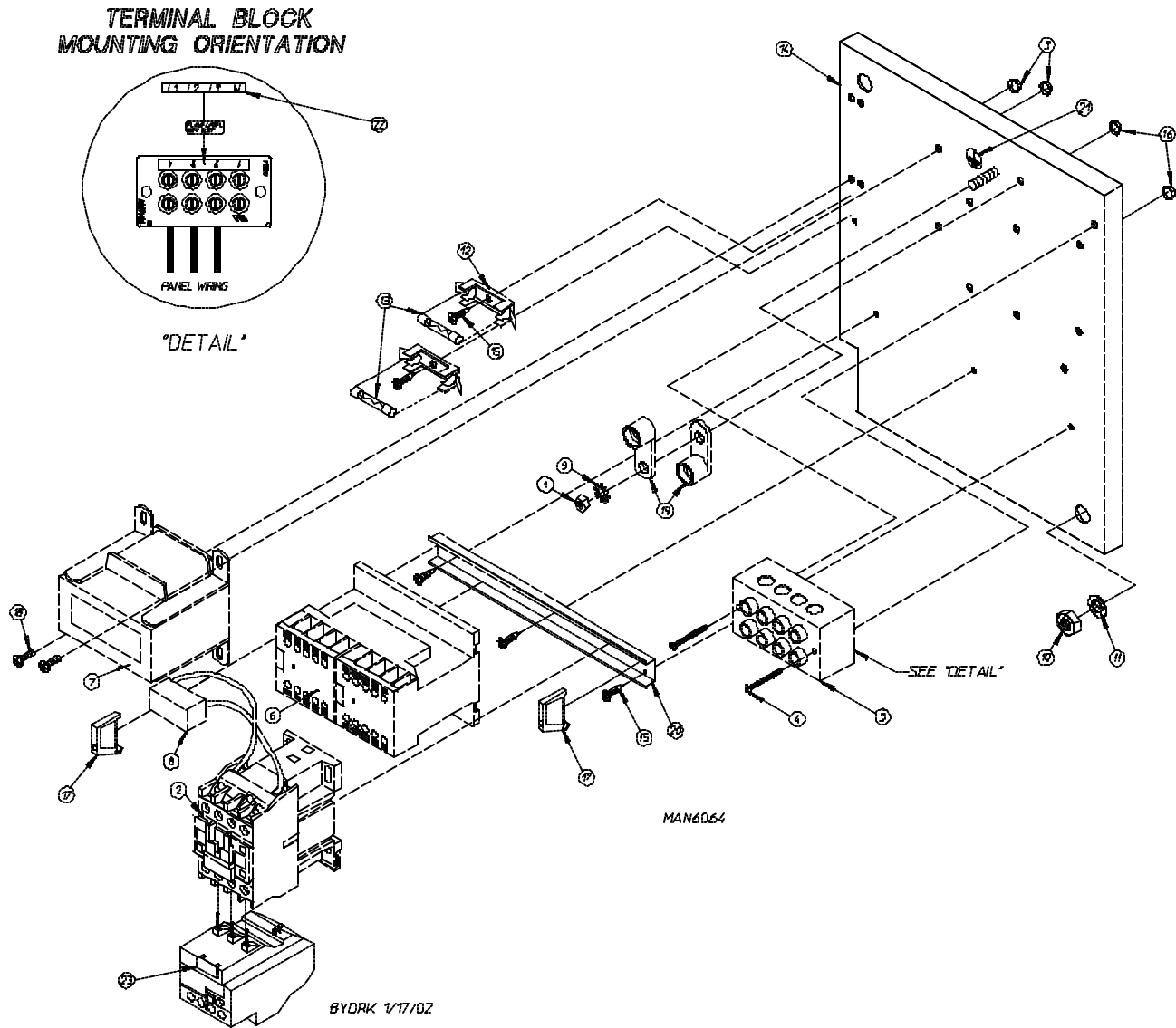


**For 208-240 Volt Transformers  
For Models Mfd. as of August 29, 2002**

<u>Illus. No.</u>	<u>Part No.</u>	<u>Qty.</u>	<u>Description</u>
1	132439	1	#17-25A Overload
2	132465	1	10 HP Contactor
3	151001	2	#8-32 Pal Nut
4	150009	2	#6-32 x 1-1/2 Phillips Pan Head Machine Screw
5	120701	1	4-Position Terminal Block
6	132434	1	3 HP "D Line" Reversing Contactor
7	822745	1	208-240V Transformer Assembly
8	137015	3	Arc Suppressor (A.C.) with 3" Leads
9	112068	1	3-Phase (3 $\phi$ ) Power Input Label
10	152004	2	5/16-18 Hex Nut
11	121502	1	1/2" Wire Standoff
12	153002	2	5/16" Lock Washer
13	136008	2	Fuse Holder
14	136057	2	1/2-Amp 3AG (Slo-Blo) Fuse
15	332346	1	Relay Panel
16	150301	5	#8-18 x 7/16" Phillips Head TEK Screw
17	151000	2	#6-32 Pal Nut
18	120765	2	End Stop
19	150108	2	#8-32 x 1/2" Phillips Pan Head Machine Screw
20	152002	1	1/4-20 Hex Nut
21	121010	2	L-70 #14-4 Terminal Lug
22	120768	9-7/8"	35 x 15mm Din Rail
23	132467	1	9-13A Overload
24	112075	1	Ground Label
25	153021	1	1/4" Lock Washer
26	153525	1	1/4-20 x 1" Self Clinching Stud
27	132383	2	Auxiliary Contact Block 2 Normally Opened (N.O.)
28	132276	1	Softstart 9A 100-240 VAC Control
*	822811	1	Relay Panel Wiring with Softstart
*	825267	1	Drive and Blower Motor Contactor Wiring

\* Not illustrated.

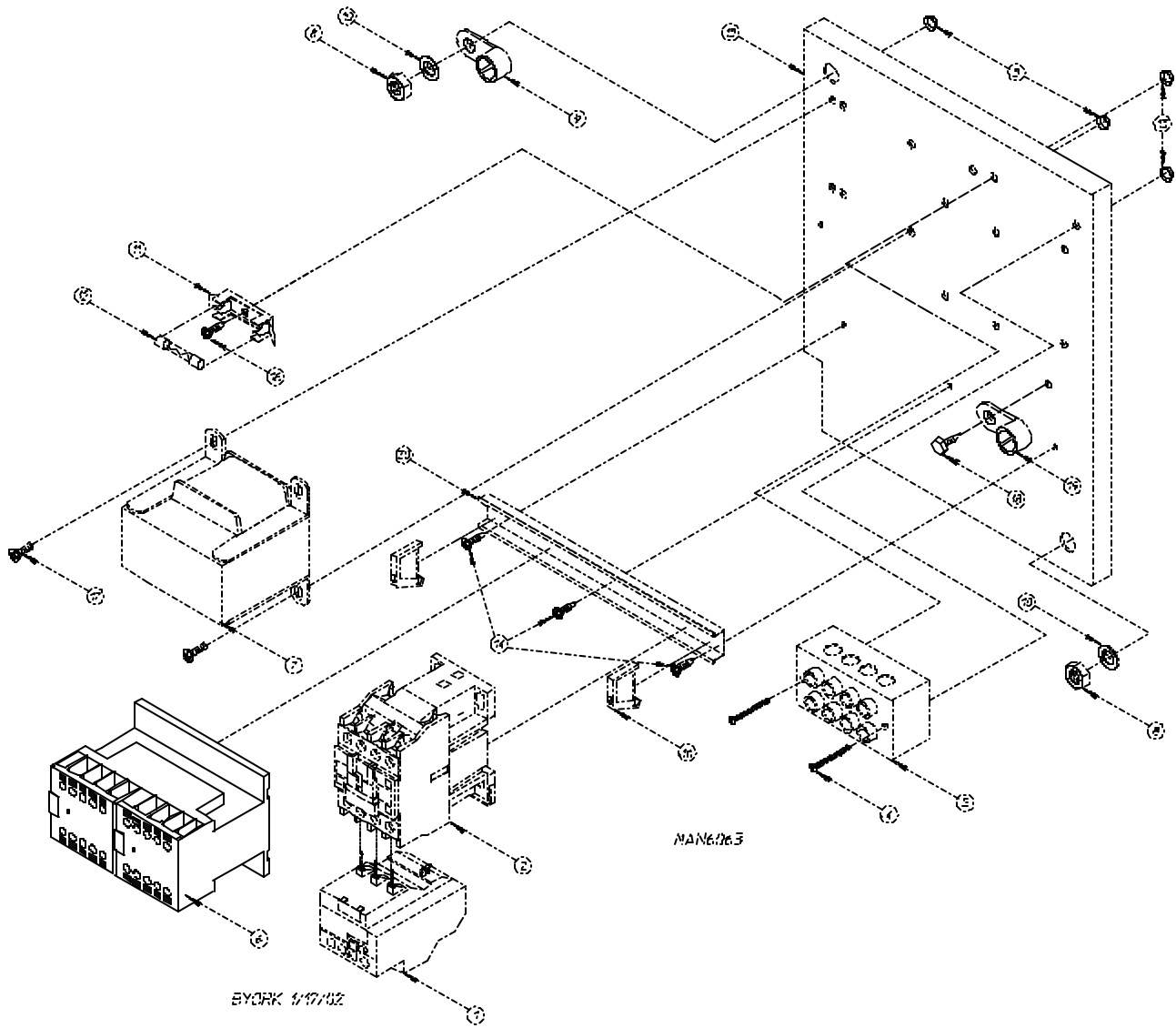
For 208-240 Volt Transformers  
For Models Mfd. prior to August 29, 2002



**For 208-240 Volt Transformers  
For Models Mfd. prior to August 29, 2002**

<u>Illus. No.</u>	<u>Part No.</u>	<u>Qty.</u>	<u>Description</u>
1	152002	1	1/4-20 Hex Nut
2	132465	1	3 HP Contactor - 24 VAC
3	151001	2	#8-32 Pal Nut
4	150009	2	#6-32 x 1-1/4" Phillips Round Head Machine Screw
5	120701	1	4-Position Power Distribution Block
6	132497	1	Reversing Contactor - 24 VAC
7	822745	1	208-240V Transformer Assembly
8	137015	1	Arc Suppressor (A.S.) Board
9	153021	1	1/4" Star Washer
10	152004	1	5/16-18 Hex Nut
11	153002	1	5/16" Lock Washer
12	136008	2	Fuse Block/Holder
13	136057	2	1/2-Amp (Slo-Blo) Fuse
14	332346	1	Contactor/Relay Mounting Panel ONLY
15	150301	5	#8-18 x 7/16" Phillips Pan Head TEK Screw
16	151000	2	#6-32 Pal Nut
17	120765	2	End Stop/Bracket
18	150108	2	#8-32 x 1/2" Pan Head Machine Screw
19	121010	1	L-70 Ground Lug
20	120768	7-3/4"	Din Mounting Rail (sold by the inch)
21	112075	1	Ground Label
22	112068	1	3-Phase (3 $\phi$ ) Power Input Label
23	132439	1	Overload
--	825267	1	Contactor Wiring...Not Illustrated
--	829053	1	Relay Panel Wiring...Not Illustrated

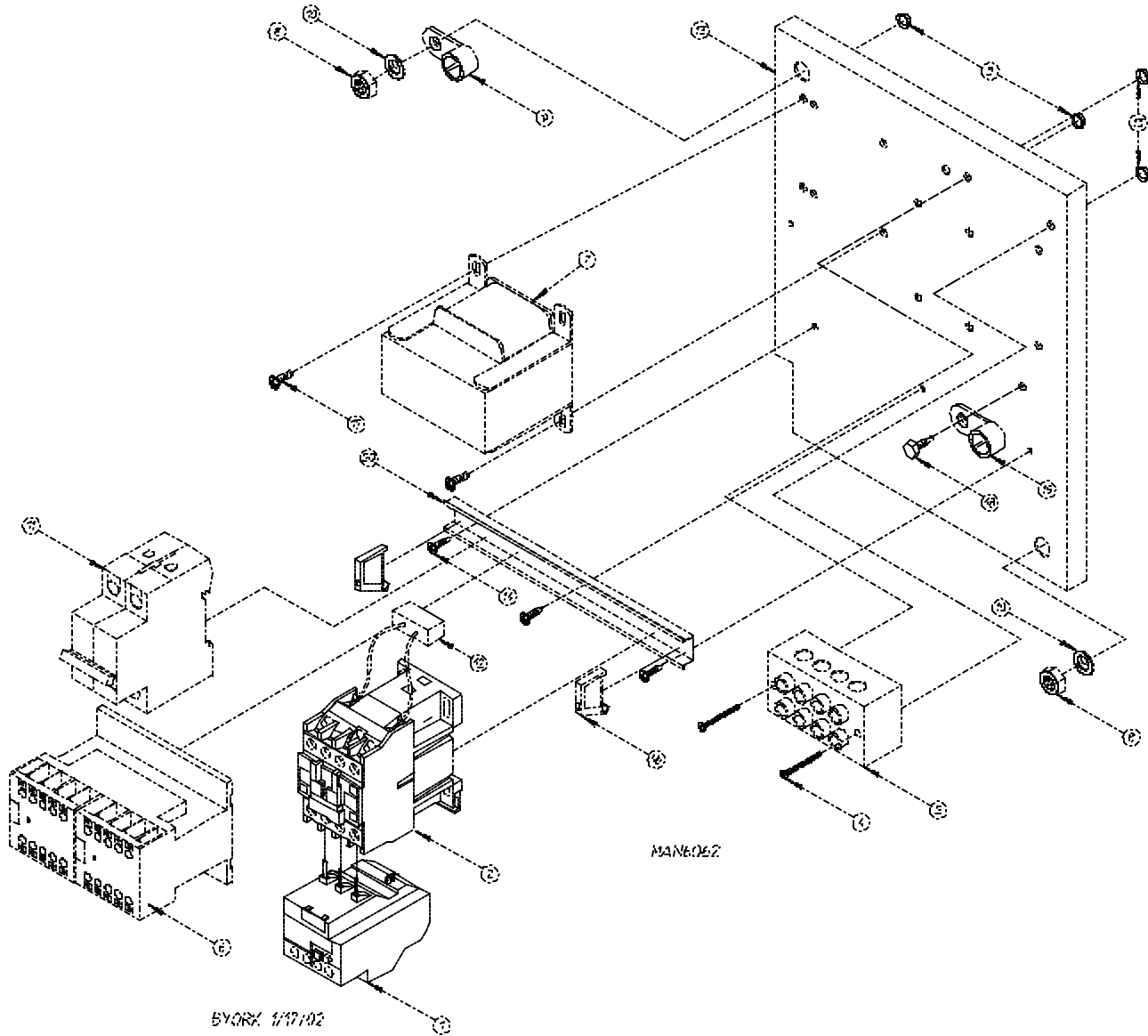
For 380-416 Volt Transformers  
For Models Mfd. prior to August 29, 2002



**For 380-416 Volt Transformers  
For Models Mfd. prior to August 29, 2002**

<u>Illus. No.</u>	<u>Part No.</u>	<u>Qty.</u>	<u>Description</u>
1	132467	1	9-13-Amp Overload
2	132465	1	10 HP Contactor - 24 VAC
3	151001	2	#8-32 Pal Nut
4	150009	2	#6-32 x 1-1/2" Phillips Round Head Machine Screw
5	120701	1	4-Position Power Distribution Block
6	132497	1	"Kline" Reversing Contactor
7	801580	1	Transformer (380-416 volt/3 $\phi$ )
8	152004	2	5/16-18 Hex Nut
9	121012	1	Ground Lug
10	153002	2	5/16" Lock Washer
11	136008	1	Fuse Block/Holder
12	136057	1	1/2-Amp (Slo-Blow) Fuse
13	332346	1	Contactor/Relay Mounting Panel ONLY
14	150301	4	#8-18 x 7/16" Phillips Pan Head TEK Screw
15	151000	2	#6-32 Pal Nut
16	120765	2	End Stop/Bracket
17	150108	2	#8-32 x 1/2" Pan Head Machine Screw
18	150297	1	#10 x 1/2" Hex Washer TEK Screw
19	121010	1	L-70 Ground Lug
20	120768	7-3/4"	Din Mounting Rail (sold by the inch)
--	830180	1	Relay Panel Wiring...Not Illustrated
--	825267	1	Drive/Blower Motor Contactor Wiring...Not Illustrated

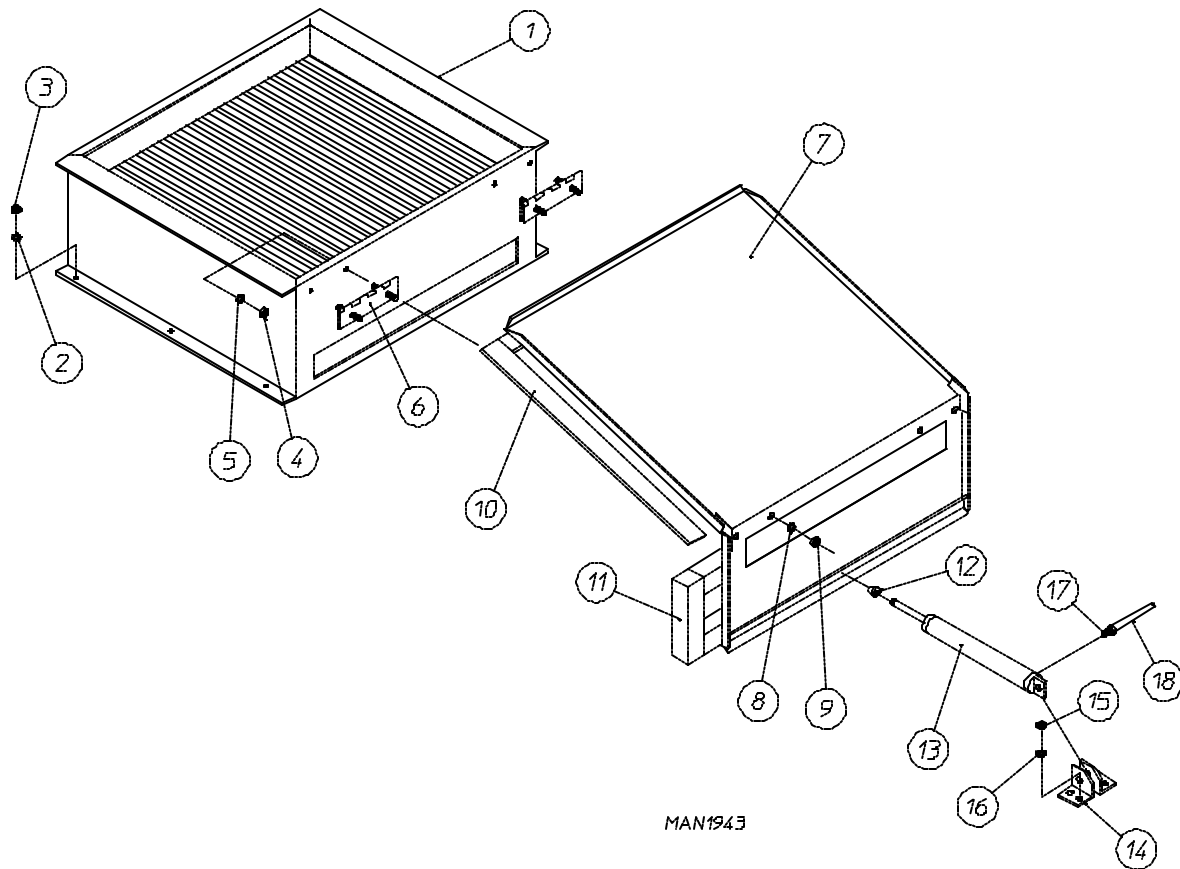
For 460-480 Volt Transformers  
For Models Mfd. prior to August 29, 2002



**For 460-480 Volt Transformers  
For Models Mfd. prior to August 29, 2002**

<u>Illus. No.</u>	<u>Part No.</u>	<u>Qty.</u>	<u>Description</u>
1	132467	1	9-13-Amp Overload
2	132465	1	10 HP Contactor - 24 VAC
3	151001	2	#8-32 Pal Nut
4	150009	2	#6-32 x 1-1/2" Phillips Round Head Machine Screw
5	120701	1	4-Position Terminal Block
6	132497	1	"Kline" Reversing Contactor
7	830193	1	460-480V Transformer Assembly
8	152004	2	5/16-18 Hex Nut
9	121012	1	Ground Lug
10	153002	2	5/16" Lock Washer
11	135501	1	2-Pole 1-Amp Circuit Breaker
12	137015	1	Arc Suppressor (A.S.)
13	332346	1	Relay Panel
14	150301	4	#8-18 x 7/16" Phillips Pan Head TEK Screw
15	151000	2	#6-32 Pal Nut
16	120765	2	End Stop/Bracket
17	150108	2	#8-32 x 1/2" Pan Head Machine Screw
18	150297	1	#10 x 1/2" Hex Washer TEK Screw
19	121010	1	L-70 Ground Lug
20	120768	7-3/4"	Din Mounting Rail (sold by the inch)
--	830192	1	Relay Panel Wiring...Not Illustrated
--	825267	1	Drive/Blower Motor Contactor Wiring...Not Illustrated

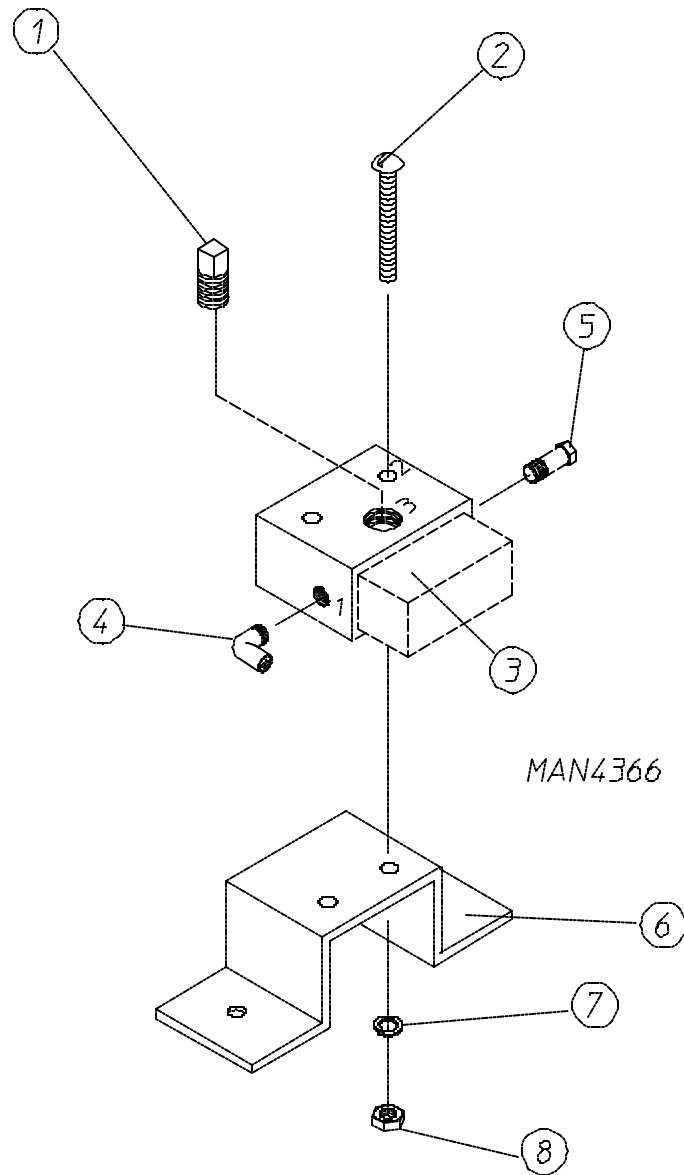
For Steam Models ONLY



Illus. No.	Part No.	Qty.	Description
1	165017	1	Steam Coil ONLY
2	153002	6	5/16" Lock Washer
3	152004	6	5/16-18 Hex Nut
4	152002	4	1/4-20 Hex Nut
5	153007	4	1/4" Lock Washer
6	820321	2	Steam Damper Hinge Assembly
7	820994	1	Steam Damper Assembly (includes illus. nos. 7, 10, and 11)
8	153007	4	1/4" Lock Washer
9	152002	4	1/4-20 Hex Nut
10	115995	96	Steam Damper Gasket (sold by the inch)
11	102350	2	Steam Damper Foam (68-1/2" length)
12	151007	1	7/16-20 Stainless Steel Acorn Nut
13	100499	1	1-1/2" Bore x 3" Stroke Piston
14	100500	1	Piston Support Bracket
15	152002	4	1/4-20 Hex Nut
16	153007	4	1/4" Lock Washer
17	100472	1	1/4" x 1/8" Connector
18	143110	1	1/4" Tubing (sold by the foot) (refer to <b>Top Console Assembly</b> on <b>page 33</b> )

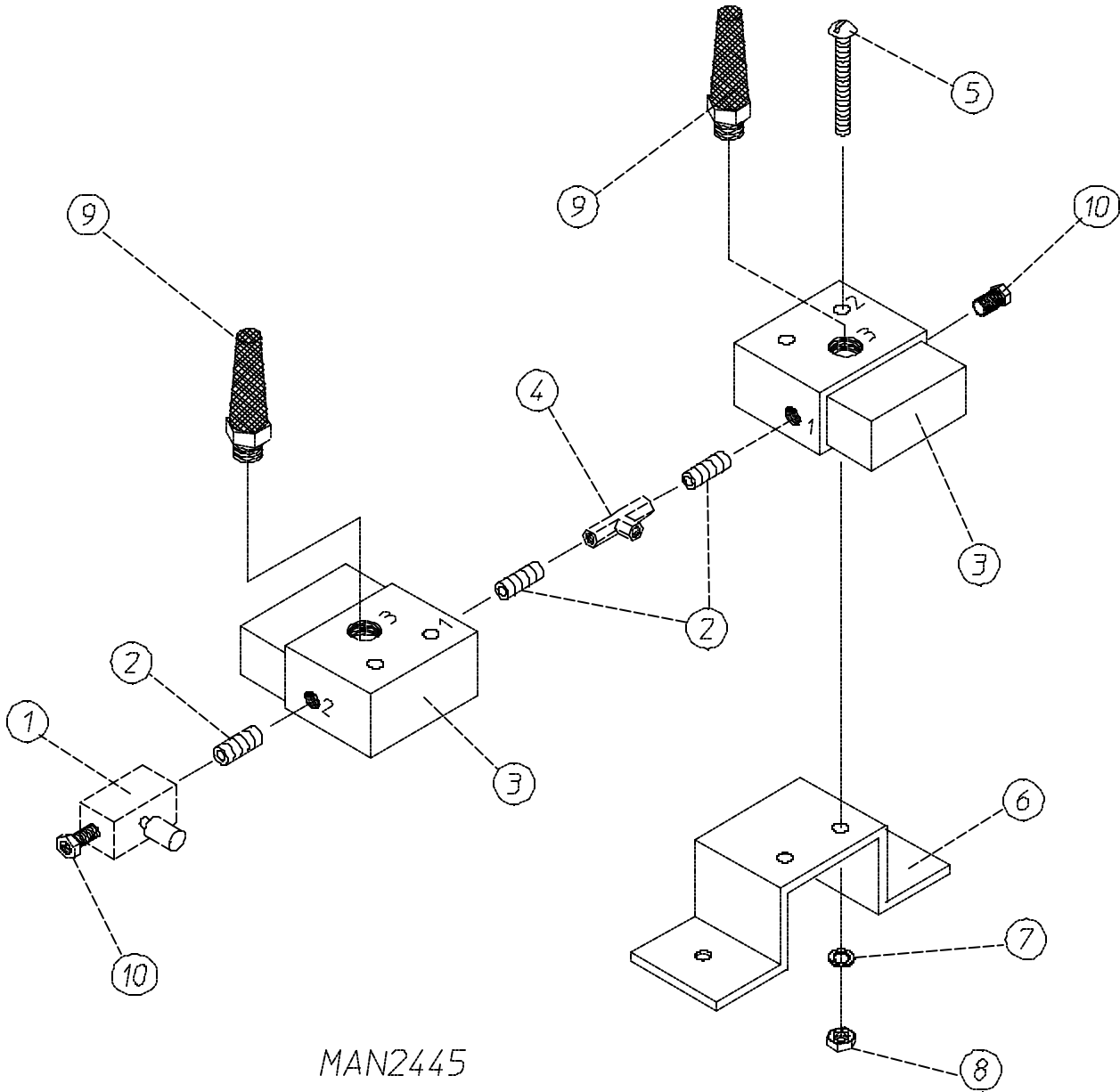


For Gas Models ONLY



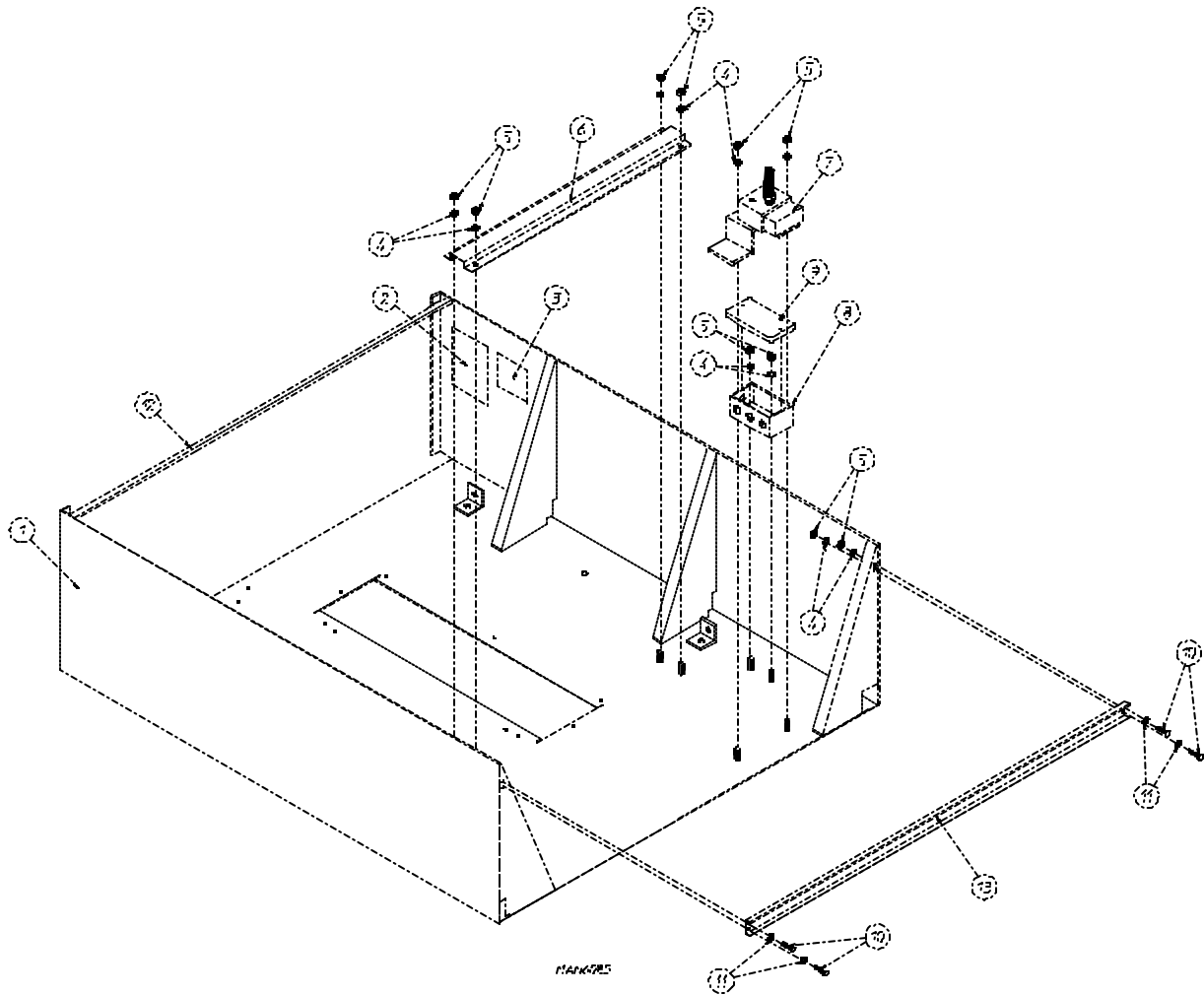
Illus. No.	Part No.	Qty.	Description
1	143250	1	1/8" M.P.T. Brass Plug
2	150002	1	#6-32 x 1" Slotted Machine Screw
3	100498	1	3-Way Micro Valve ONLY - 24 VAC
	821105	1	Pneumatic Valve Assembly Complete (includes illus. nos. 1 through 8)
4	143149	1	1/4" Poly x 1/8" M.P.T. x 90° Elbow
5	100472	1	1/4" x 1/8" M.P.T. Male Connector
6	330987	1	Micro Valve Support Bracket ONLY
7	153010	1	#6 Star Washer
8	152000	1	#6-32 Hex Nut

For Steam Models ONLY



MAN2445

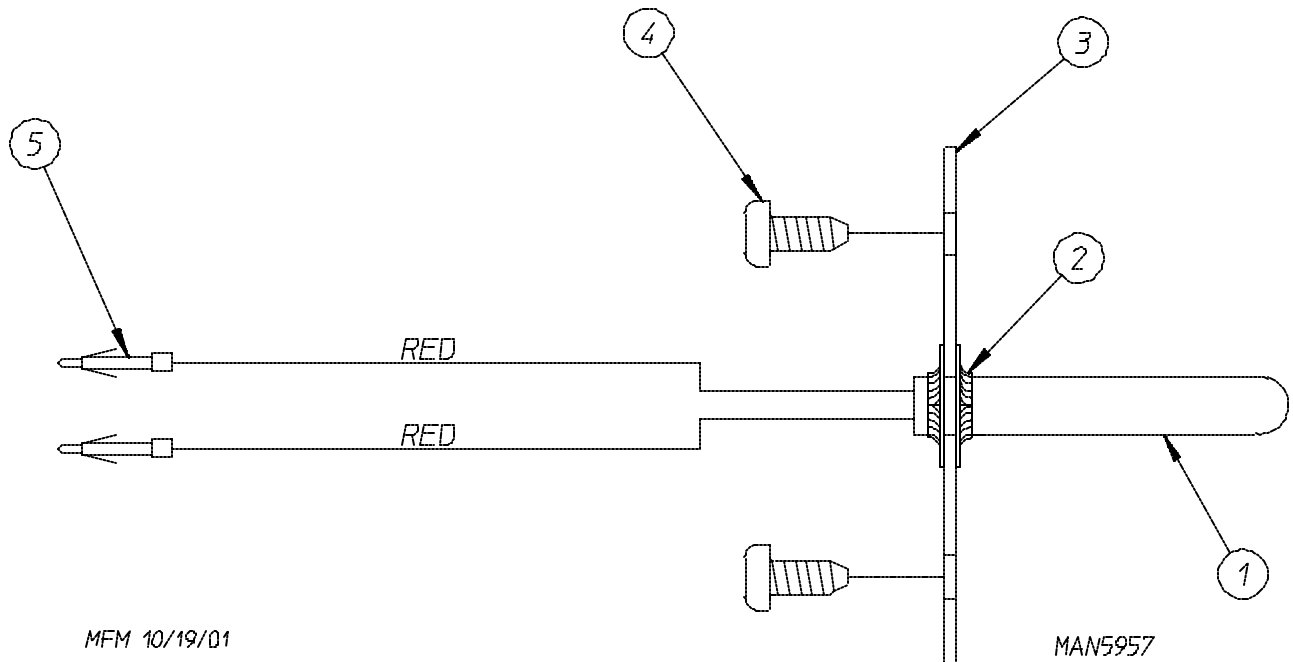
<u>Illus. No.</u>	<u>Part No.</u>	<u>Qty.</u>	<u>Description</u>
1	100496	1	1/8" Needle Valve
2	143238	3	1/8" Close Nipple
3	100498	2	3-Way Micro Valve ONLY - 24 VAC
	821104	1	Pneumatic Valve Assembly Complete (includes illus. nos. 1 through 8)
4	143223	1	1/8" F.P.T. Brass Tee
5	150002	2	#6-32 x 1" Slotted Machine Screw
6	330987	1	Micro Valve Support Bracket ONLY
7	153010	2	#6 Star Washer
8	152000	2	#6-32 Hex Nut
9	100520	2	1/8" N.P.T. Silencer (muffler) ONLY
10	100472	2	1/4" x 1/8" Connector



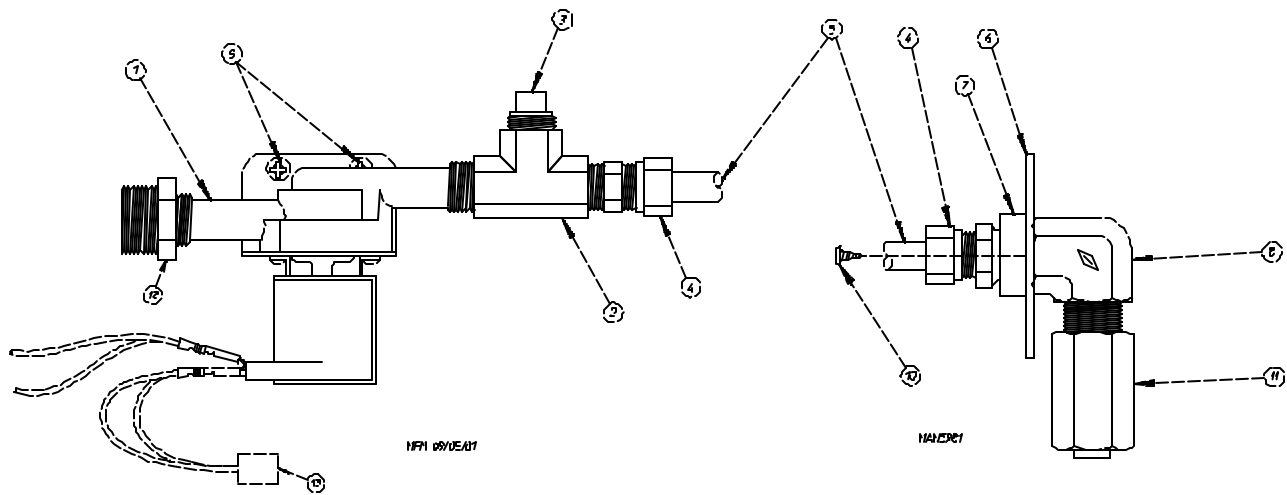
HYDRA 2/13/02

Illus. No.	Part No.	Qty.	Description
1	821085*	1	Top Console Assembly ONLY (for gas models Only)
	821086*	1	Top Console Assembly ONLY (for steam models Only)
2	112284	1	"Phase 6 OPL Program Location Summary" Label (for microprocessor models Only)
3	-----	1	Dryer Data Label (not for resale by <b>ADC</b> )
4	153007	12	1/4" Lock Washer
5	152002	12	1/4-20 Hex Nut
6	332323	1	32" Wire Channel
7	821105	1	Pneumatic Valve Assembly ONLY (for gas models Only) (refer to <b>Pneumatic Valve Assembly</b> on <b>page 31</b> )
	821104	1	Pneumatic Valve Assembly ONLY (for steam models Only) (refer to <b>Pneumatic Valve Assembly</b> on <b>page 32</b> )
8	121104	1	2" x 4" Junction Box ONLY
9	121105	1	Junction Box Cover ONLY
10	150615	1	1/4-20 x 3/4" Bolt
11	153018	4	1/4" Flat Washer
12	332186	1	Control Door Hinge Channel
13	332132	1	Corner Gusset Brace

\* Specify color when ordering.

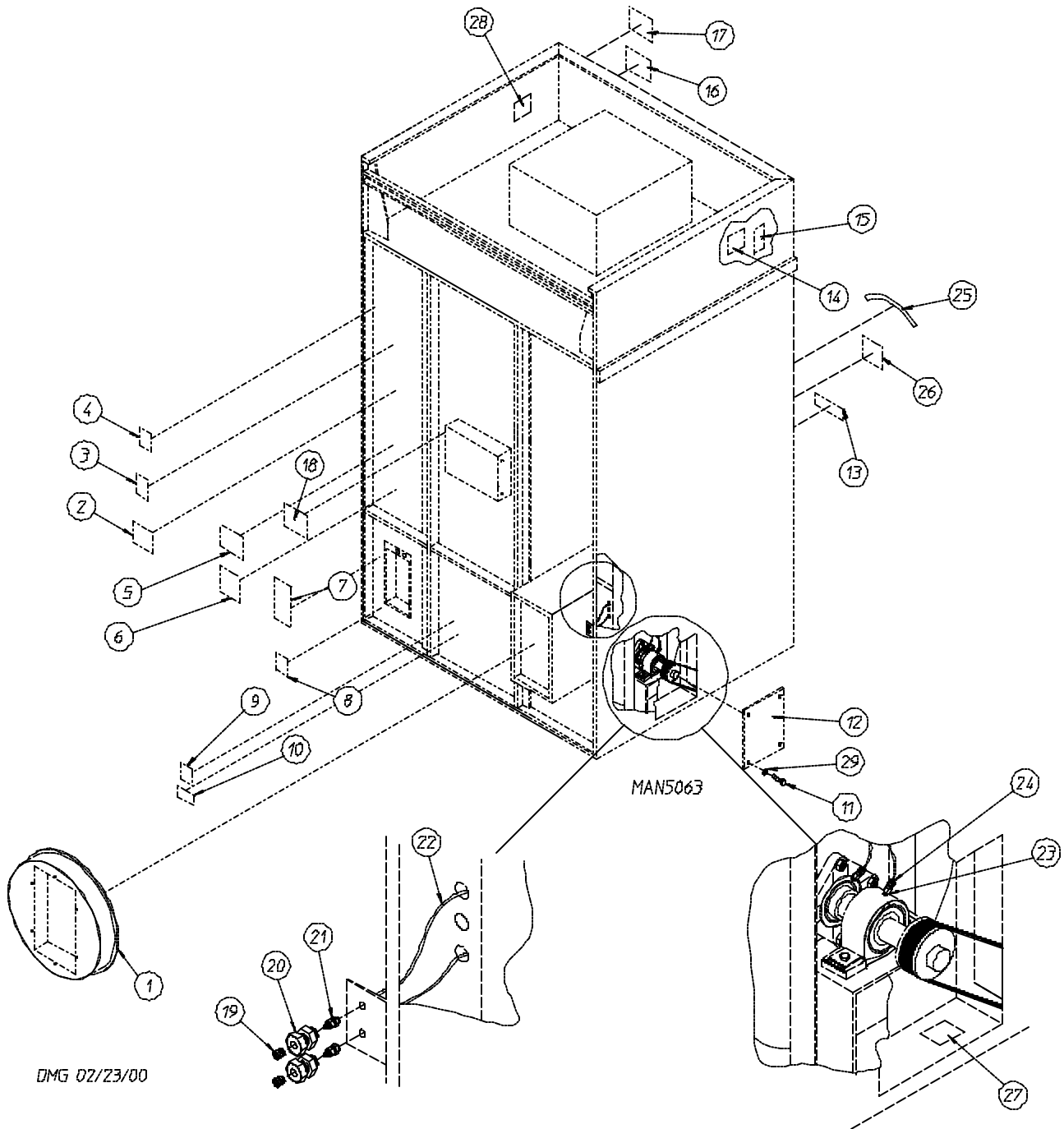


<u>Illus. No.</u>	<u>Part No.</u>	<u>Qty.</u>	<u>Description</u>
1	822752	1	Fire Suppression System (FSS) Temperature Probe Assembly (includes illus. nos. 1 through 5)
2	154007	2	Push On Fastener
3	390390	1	Sensor Bracket ONLY
4	150301	2	#8-18 Phillips Pan Head TEK Screw
5	122647	1	Connector ONLY...Not Illustrated (does <u>not</u> include pins)
	122700	2	Pins



<u>Illus. No.</u>	<u>Part No.</u>	<u>Qty.</u>	<u>Description</u>
1	165114	1	Fire Suppression System (FSS) Solenoid Valve 24V 50/60 Hz
2	143220	1	3/8" F.P.T. Brass Tee
3	143251	1	3/8" M.P.T. Brass Plug
4	143208	2	3/8" Comp x 3/8" M.P.T. Brass Connector
5	143099*	6'	3/8" OD x 0.035 Wall Copper Tubing
6	311588	1	Sprinkler Head Mounting Plate
7	143303	1	3/8" N.P.T. Brass Locknut
8	143155	1	3/8" Brass Elbow 90°
9	150430	2	#10 x 1/2" Self Drilling Screw
10	150301	2	#8-18 x 7/16" TEK Screw
11	143581	1	3 GPM 3/8" F.P.T. Spray Nozzle
12	142888	1	1/2" to 3/8" Bushing for Fire Suppression System (FSS) Valve
13	824828	1	Arc Suppressor

\* Sold by the foot.



<u>Illus. No.</u>	<u>Part No.</u>	<u>Qty.</u>	<u>Description</u>
1	821793	1	Square Duct to 20" Round Duct Transition Piece Assembly with Damper
	821956	1	Square Duct to 20" Round Duct Transition Piece Assembly
2	-----	1	Wiring Diagram for Dryer (contact factory with model and serial number)
3	112046	1	"Computer Ground" Label
4	114005	1	"DANGER - Hot" Label
5	112519	1	"Routine Maintenance" Label
6	114044	1	"High Voltage" Label
7	114007	1	"DANGER - High Voltage" Label
8	112014	1	"High Voltage" Label
9	114008	1	"WARNING - Fumes" Label
10	114001	1	"CAUTION - Exhaust/Lint Screen" Label
11	150512	4	1/4-20 x 1/2" Hex Head Machine Bolt
12	332309	1	Side Access Panel
13	112280	1	"Clean Lint Screen" Label
14	112017	1	"Address" Label (not for resale)
15	-----	1	"Serial Number" Label (not for resale)
16	-----	1	Wiring Diagram (contact factory with specific dryer serial number)
17	112284	1	"Phase 6 Program Location" Label
18	114093	1	"Important Manual Reset Hi-Limit" Label
19	170511	2	1/8" M.P.T. Zirc (grease) Fitting
20	143164	2	1/8" F.P.T. Bulkhead Fitting
21	100472	2	1/4" x 1/8" M.P.T. Male Connector
22	143115	4	1/4" Nylo-Seal Tube
23	100472	2	1/4" x 1/8" M.P.T. Male Connector
24	143246	2	1/4-28 x 18" F.P.T. Fitting
25	114095	1	"Do Not Dry Mop Heads" Label
26	114006	1	"WARNING - Fire Hazard" Label
27	114077	1	"Grease Instruction" Label
28	114093	1	"Important Manual Reset Hi-Limit" Label
29	153007	4	1/4" Lock Washer

