

WASHER

Repair Parts List

MODEL NUMBER

MFS80PNFVS

When requesting service or ordering parts, always provide the following information:

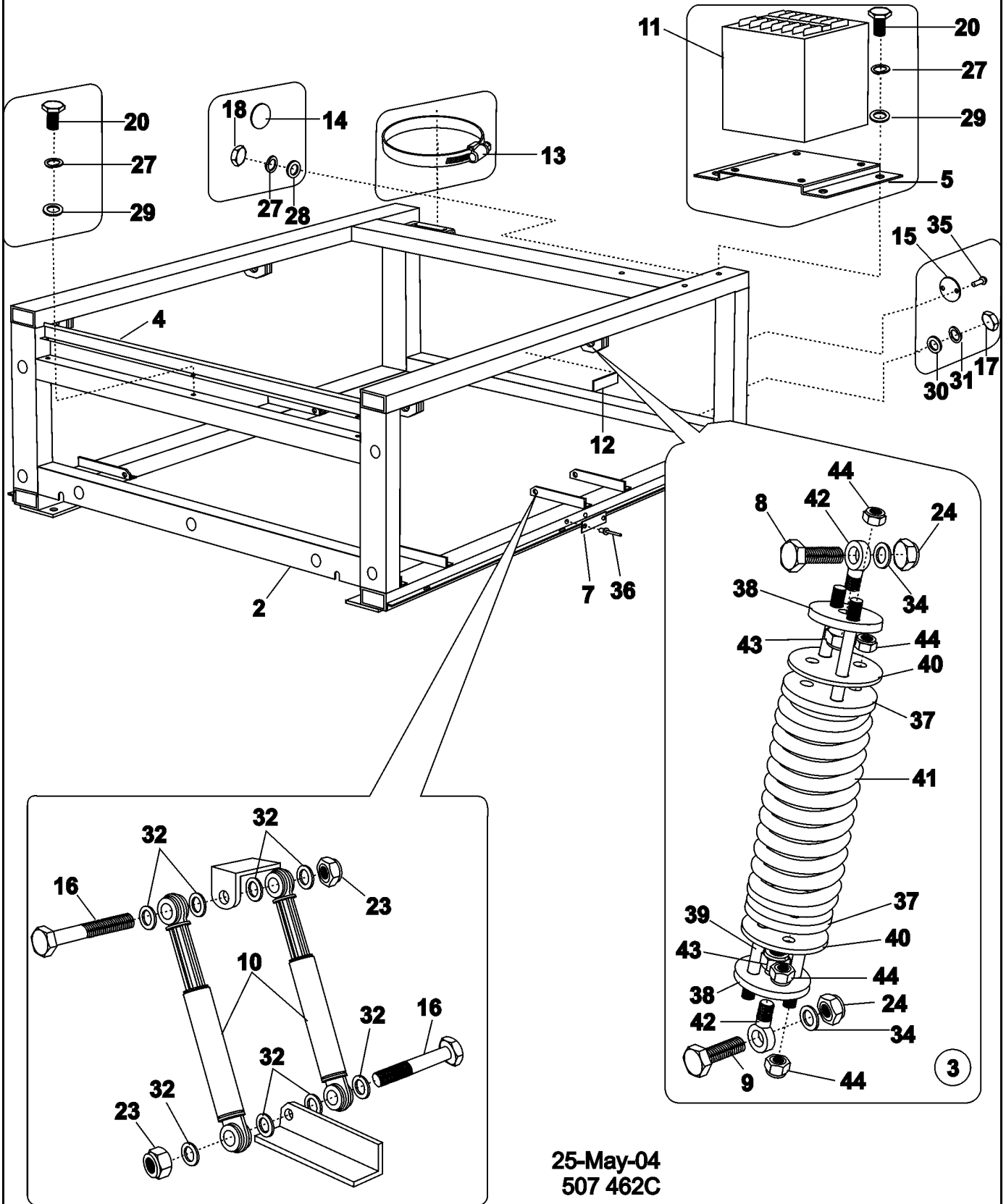
- Product Type
- Part Number
- Model Number
- Part Description

MAYTAG®

©2005 Maytag Services

Section: FRAME

Model: MFS80PNFVS



25-May-04
507 462C

CW19-52

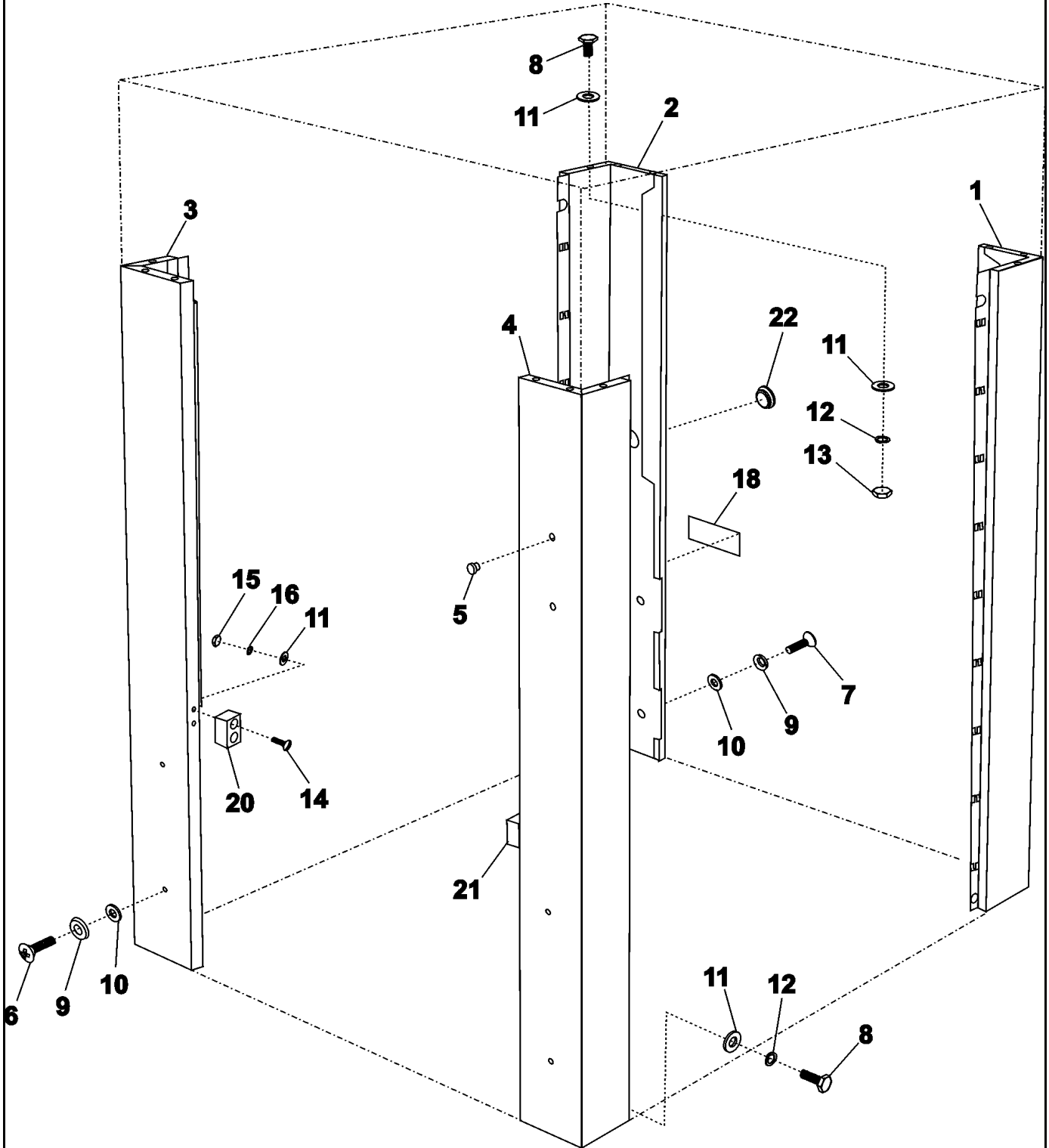
Section: FRAME

No.	Part No.	Description	Series	Qty
2	23002339	FRAME	10	1
3	23002341	SPRING HINGE ASSY.	10	1
4	23003914	FRAME	10	1
5	23002343	HOLDER, TRANSFORMER	10	1
7 N	23002344	PLATE, SMALL	10	1
8 N	23003177	SCREW	10	1
9 N	23002345	SCREW	10	1
10	23002347	DAMPER	10	1
11	23003708	TRANSFORMER (250VA)CONTROL BRD	10	1
12	23001567	SHEET, ANTI-VIBRATION	10	1
13	23001750	RING, CLAMP (40-60)	10	1
14	23002505	PLATE, EARTH	10	1
15 N	23002350	PLATE, INDEX	10	1
16	23002351	SCREW (M10X80)	10	1
17	23002487	NUT (M8)	10	1
18	23002280	NUT (M6)	10	1
20	23002461	SCREW (M6 X16)	10	1
23	23002356	NUT (M10)	10	1
24	23001651	NUT (M16)	10	1
27	23002425	WASHER, LOCK	10	1
28	23002424	WASHER	10	1
29	23003778	WASHER 12	10	1
30	23002427	WASHER, LOCK (M8)	10	1
31	23001608	WASHER (M8) LU	10	1
32	23003788	WASHER	10	1
34	23001735	WASHER (M17)	10	1
35	23003915	NAIL 2x4	10	1
36	23002362	RIVET W/CRANK	10	1
37	23002363	SLEEVE	10	1
38	23002364	DISK	10	1
39 N	23003916	BAR, DRAWING	10	1
40	23002366	PACKING PIECE	10	1
41	23003917	SPRING	10	1
42	23002368	SCREW, EYE	10	1
43	23001651	NUT (M16)	10	1
44	23002356	NUT (M10)	10	1

*Color Code (-)=Not Shown #=Series, Serial Prefix or Run No., N=Not Available

Section: CABINET

Model: MFS80PNFVS



05-Feb-02
507 463B

CW12-59

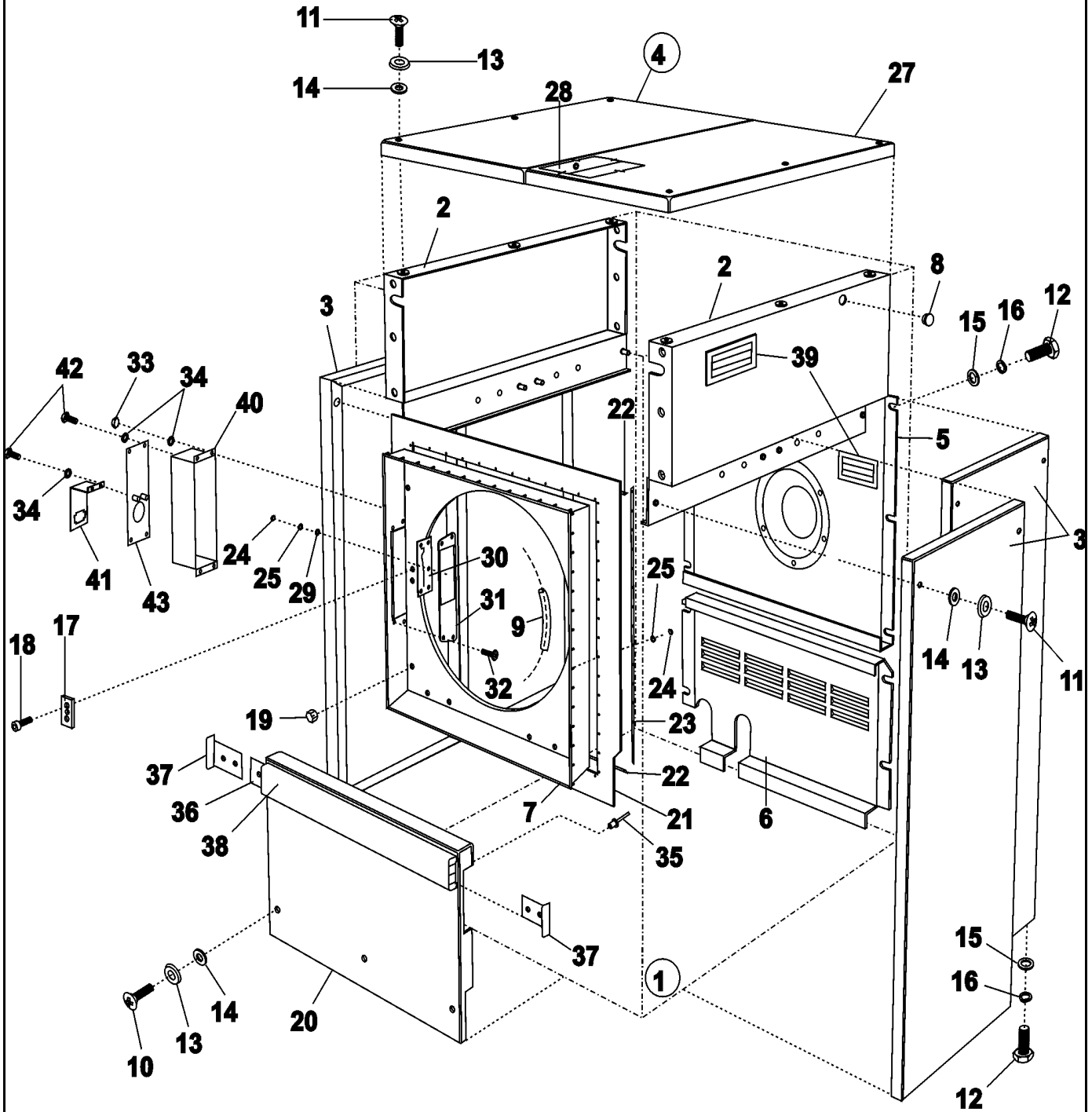
Section: CABINET

No.	Part No.	Description	Series	Qty
1	23002369	COVER, RIGHT-REAR	10	1
2	23002370	COVER, LEFT-REAR	10	1
3	23003918	CVR, FRONT LH CORNER	10	1
4	23003919	CVR, FRONT RH CORNER	10	1
5	23003371	STOP	10	1
6	23002374	SCREW (M6X20)	10	1
7	23002375	SCREW (M6X40)	10	1
8 N	23002376	SCREW (M6X18)	10	1
9	23002457	WASHER	10	1
10	23002458	WASHER (FIBER)	10	1
11	23003778	WASHER 12	10	1
12	23002138	WASHER (10)	10	1
13	23002651	NUT (M6)	10	1
14	23003920	BOLT M6x40	10	1
15	23002470	WASHER	10	1
16	23002440	WASHER, SPRING LOCK (6)	10	1
18	23003921	LABEL, STEAM	10	1
20	23003922	CUBE, LEFT	10	1
21	23003923	CUBE, RIGHT	10	1
22	23001594	BLIND, HEATING ELEMENT	10	1

*Color Code (-)=Not Shown #=Series, Serial Prefix or Run No., N=Not Available

Section: SIDE PANELS

Model: MFS80PNFVS



25-Apr-02
507 464C

CW12-60

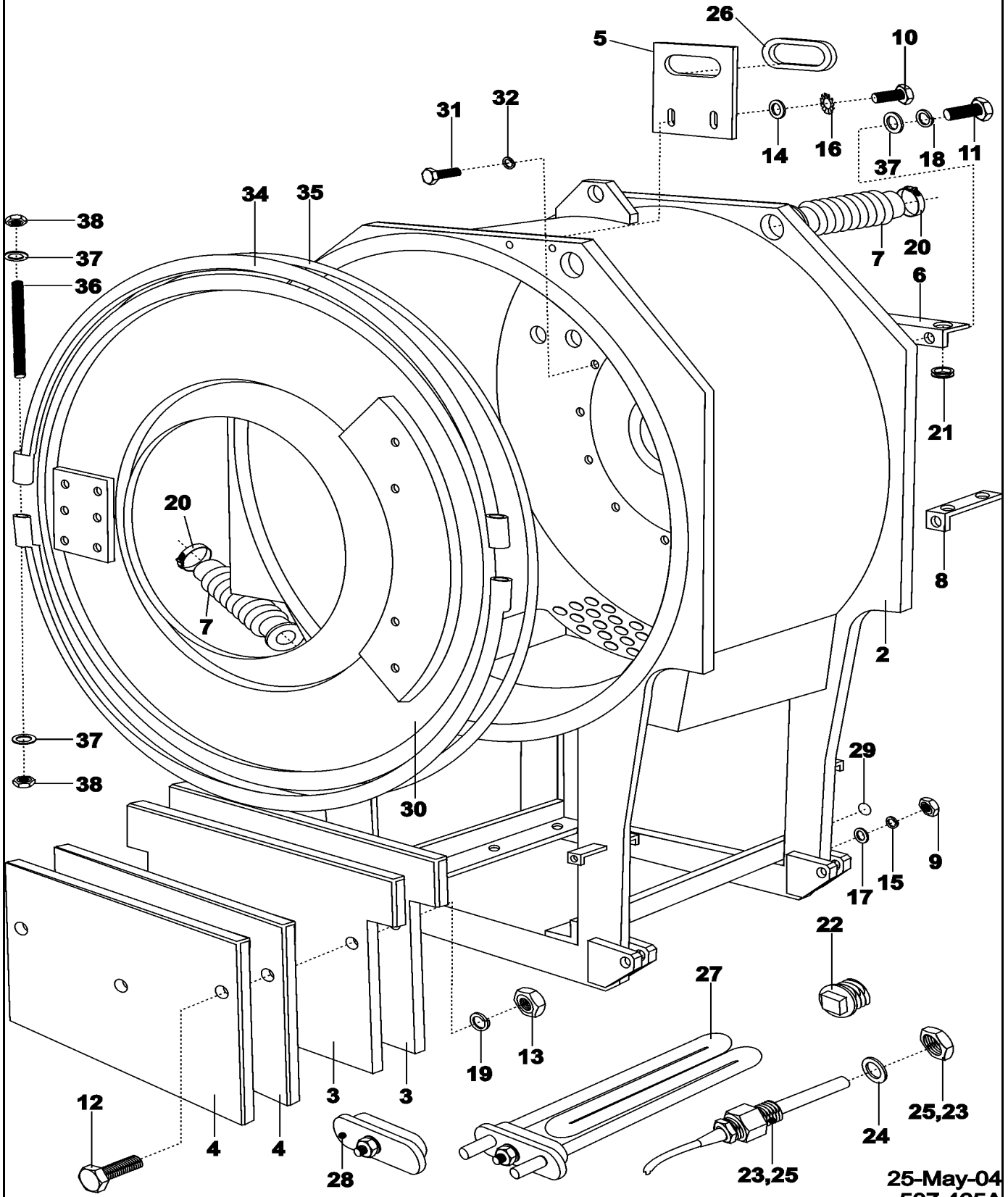
Section: SIDE PANELS

No.	Part No.	Description	Series	Qty
1	23004415	FRONT COVER COMPLETE	10	1
2	23004416	SIDE UPPER COV (80) COMP	10	1
3	23003182	COVER, SIDE (COMPLETE)	10	1
4	23003183	COVER (UPPER-COMPLETE)	10	1
5	23003184	COVER, REAR (UPPER)	10	1
6	23003185	COVER (LOWER-REAR)	10	1
7	23003924	WELDED FOIL II	10	1
8	23001476	PLUG, WATER INLET	10	1
9	23002473	RUBBER, PROTECTIVE	10	1
10	23002374	SCREW (M6X20)	10	1
11	23002375	SCREW (M6X40)	10	1
12	23001618	SCREW (M6X18)	10	1
13	23002457	WASHER	10	1
14	23002458	WASHER (FIBER)	10	1
15	23002424	WASHER	10	1
16	23002130	WASHER (6)	10	1
17	23002390	BLOCK	10	1
18	N 23002391	SCREW (M8X15)	10	1
19	N 23002392	NUT (M6)	10	1
20	23002393	COVER, FRONT-LOWER	10	1
21	23003968	RUBBER	10	1
22	23003925	PLATE, UPPER	10	1
23	23003926	PLATE, SIDE	10	1
24	23003666	NUT (M4)	10	1
25	23002400	WASHER	10	1
28	23002362	RIVET W/CRANK	10	1
29	N 23002407	WASHER	10	1
30	23003927	COLLAR	10	1
31	23003928	COVER LOCK WELDED	10	1
32	23002722	SCREW (M6 X 12)	10	1
33	23003773	NUT M6	10	1
34	23002440	WASHER, SPRING LOCK (6)	10	1
35	23002408	RIVET W/CRANK	10	1
36	23003929	STRIP, INNER	10	1
37	23002410	BAR, SIDE	10	1
38	23003930	PROFILE	10	1
39	23004419	AIR GRATE	10	1
40	23003931	LOCK, COVER	10	1
41	23003932	HOLDER	10	1
42	23002649	SCREW (M6 X 10)	10	1
43	23003933	COVER	10	1

*Color Code (-)=Not Shown #=Series, Serial Prefix or Run No., N=Not Available

Section: TUB

Model: MFS80PNFVS



25-May-04
507 465A

CW17-59

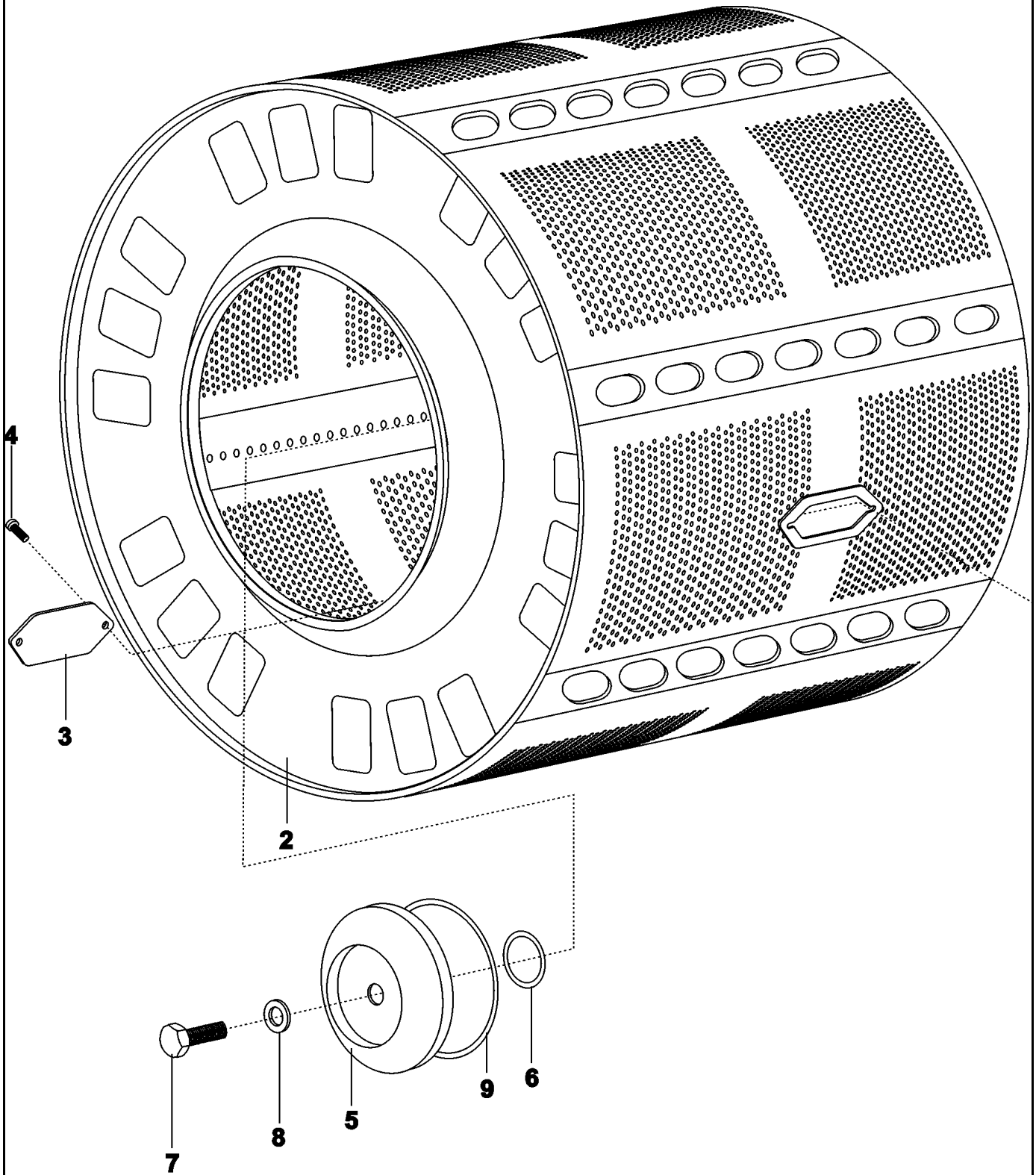
Section: TUB

No.	Part No.	Description	Series	Qty
2	23003188	TUB 80LB	10	1
3	23002414	WEIGHT (LARGE)	10	1
4	23002415	WEIGHT (SMALL)	10	1
5	23002416	LIMITER	10	1
6	23002417	HOLDER	10	1
7	23003934	HOSE, RUBBER	10	1
8	23002418	HOLDER, WIRE	10	1
9	23002280	NUT (M6)	10	1
10	23002461	SCREW (M6 X16)	10	1
11	23002475	BOLT (M8X20)	10	1
12	23002476	SCREW (M20X150)	10	1
13	23003935	NUT M20	10	1
14	23003778	WASHER 12	10	1
15	23002424	WASHER	10	1
16	23002440	WASHER, SPRING LOCK (6)	10	1
17	23002130	WASHER (6)	10	1
18	23002439	WASHER, SPRING LOCK (8)	10	1
19	23002478	WASHER	10	1
20	23001256	CLAMP, HOSE (60-80)	10	1
21	23002479	PASSAGE, CABLE	10	1
22	23002480	PLUG (3/4)	10	1
23	23003807	HOLDER THERMOSTAT SENSOR	10	1
24	23002179	WASHER	10	1
25	23003964	SENSOR, TEMPERATURE	10	1
26	23002473	RUBBER, PROTECTIVE	10	1
27	23002191	ELEMENT, HEATING 80LB	10	1
28	23001594	BLIND, HEATING ELEMENT	10	1
29	23002505	PLATE, EARTH	10	1
30	23003936	TUB, FACIA PANEL	10	1
31	23002422	SCREW (M6 X 12)	10	1
32	23002281	WASHER (6-COPPER)	10	1
34 N	23002484	CLIP	10	1
35	23002485	SEALING	10	1
36	23002486	BOLT (M8)	10	1
37	23001608	WASHER (M8) LU	10	1
38	23002487	NUT (M8)	10	1

*Color Code (-)=Not Shown #=Series, Serial Prefix or Run No., N=Not Available

Section: DRUM

Model: MFS80PNFVS



17-Aug-00
507 466

CW17-60

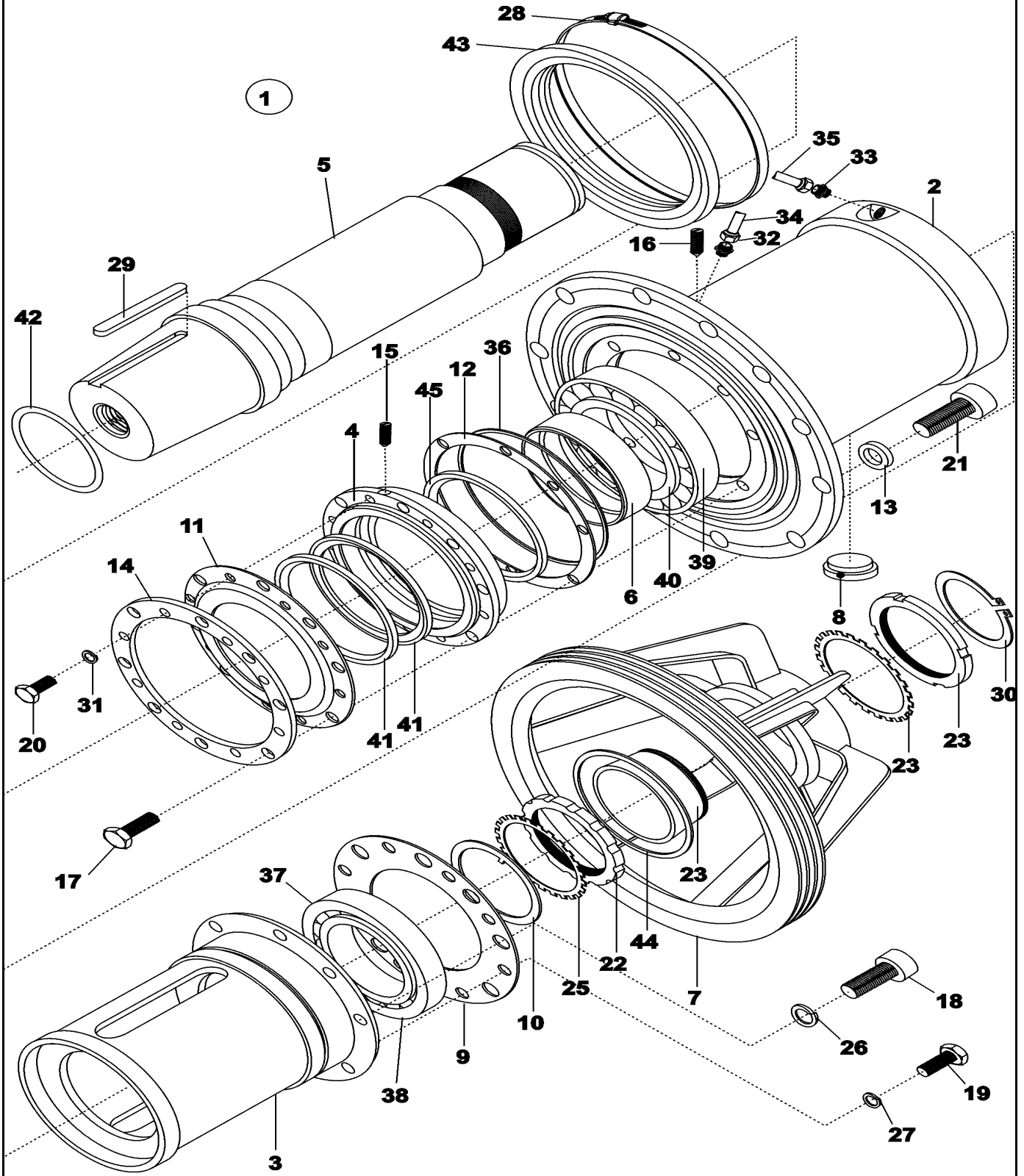
Section: DRUM

No.	Part No.	Description	Series	Qty
2	23003189	WASHING DRUM 80LB	10	1
3	23002259	COVER	10	1
4	23002617	SCREW (M4X8)	10	1
5	23002618	WASHER	10	1
6	23002619	O-RING	10	1
7	23002620	Bolt, 30mmx80mm, SS	10	1
8	23002621	WASHER	10	1
9	23002622	O-RING	10	1

*Color Code (-)=Not Shown #=Series, Serial Prefix or Run No., N=Not Available

Section: TRUNNION 80LB

Model: MFS80PNFVS



15-Feb-04
507 467A

CW24-12

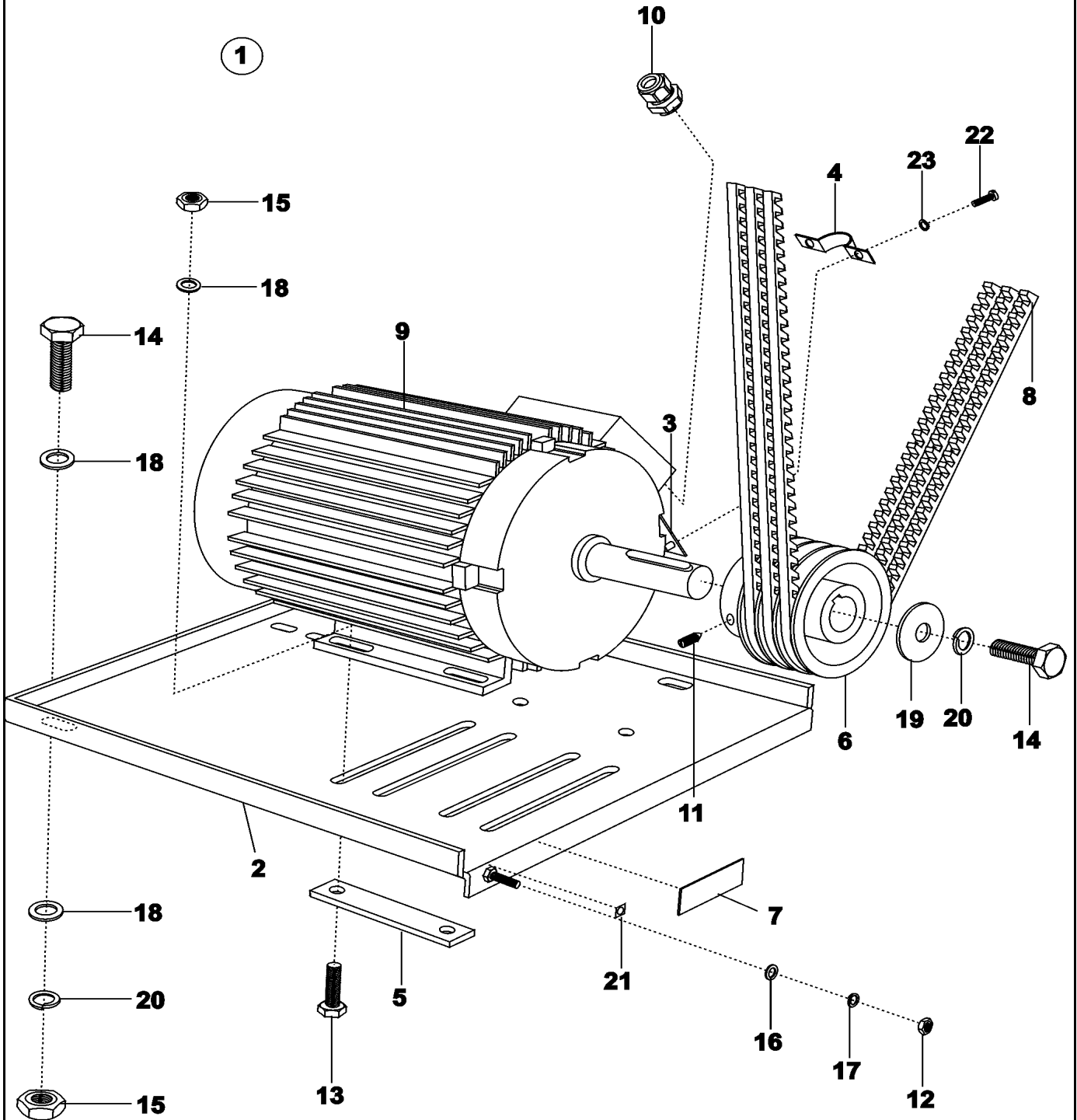
Section: TRUNNION 80LB

No.	Part No.	Description	Series	Qty
1	23004420	SERV-COMP BEARING HSING	10	1
2	23003191	HOUSE, BEARING	10	1
-	23004421	SERV-TOOL FOR REPLACING	10	1
3	23003192	INSERT, BEARING HOUSE	10	1
4	23003193	COVER, FRONT	10	1
6	23003937	RING	10	1
7	23003196	PULLEY	10	1
8 N	23003197	PLUG	10	1
9	23003198	COVER, SMALL	10	1
10	23003938	RING, DISTANCE	10	1
11	23003939	COVER, FRONT	10	1
12	23003201	SEALING	10	1
13	23003202	WASHER	10	1
14	23003203	COLLAR	10	1
15 N	23003204	SCREW (M6X6)	10	1
16	23003940	BOLT M10x10	10	1
17	23001605	SCREW (M8X30)	10	1
18	23003941	BOLT M10x30	10	1
19	23002422	SCREW (M6 X 12)	10	1
20	23001618	SCREW (M6X18)	10	1
21	23003942	BOLT M20x65	10	1
22	23001867	RING, FASTENING	10	1
23	23001653	BUSHING	10	1
25	23001868	RING, SAFETY	10	1
26	23002654	WASHER (10)	10	1
27	23002440	WASHER, SPRING LOCK (6)	10	1
28	23003209	CLIP	10	1
29 N	23003210	WEDGE	10	1
30	23003847	RING, RETAINING	10	1
31	23002130	WASHER (6)	10	1
32	23003211	NUT, TRANSFERING	10	1
33	23003212	NECK, CONNECTING	10	1
34	23003213	HOSE	10	1
35	23003213	HOSE	10	1
36	23003214	RING, O	10	1
37	23001873	RING, PULLEY SIDE OUTSIDE BEAR	10	1
38	23001874	RING, PULLEY SIDE INNER BEARIN	10	1
39	23001875	RING, DRUM SIDE OUTSIDE BEARIN	10	1
40	23001876	RING, DRUM SIDE INNER BEARING	10	1
41	23001877	SEAL	10	1
42	23002485	SEALING	10	1
43	23003215	BEARING, HOUSE SEALING	10	1
44	23003069	SEALING	10	1
45	23004422	SEAL	10	1

*Color Code (-)=Not Shown #=Series, Serial Prefix or Run No., N=Not Available

Section: MOTOR

Model: MFS80PNFVS



25-May-04
507 469A

CW23-15

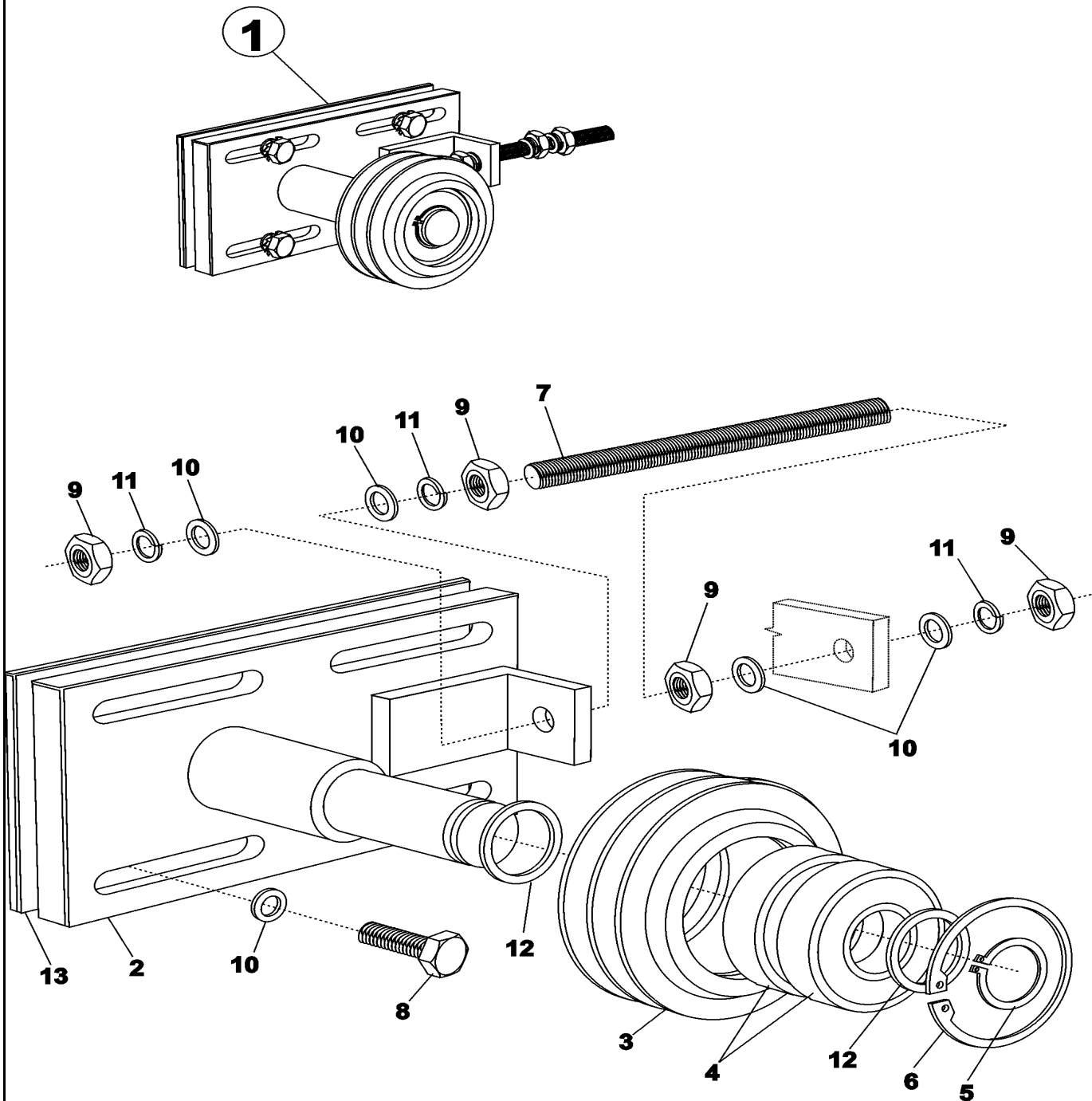
Section: MOTOR

No.	Part No.	Description	Series	Qty
2	23003943	DRIVE BOARD, COMPLETE	10	1
3	23004430	CABLE HOLDER COMP 80LB	10	1
4	23004021	CABLE SOCKET	10	1
5	23004432	MOTOR WASHER	10	1
6	23004433	MOTOR PULLEY 80LB	10	1
8	23004435	MOTOR BELT 80LB	10	1
9	23004088	MOTOR 240V 3PHASE	10	1
10	23002211	SWIVEL, CABLE	10	1
11	23001658	SCREW (M6X10)	10	1
12	23002280	NUT (M6)	10	1
13	23004207	BOLT M12 X 50	10	1
14	23002661	SCREW (M12 X 35)	10	1
15	23003676	NUT (M12)	10	1
16	23002424	WASHER	10	1
17	23002425	WASHER, LOCK	10	1
18	23001292	WASHER (13)	10	1
19	23004437	WASHER 14	10	1
20	23002658	WASHER (12)	10	1
21	23002505	PLATE, EARTH	10	1
22	23002423	SCREW (M4 X 10)	10	1
23	23004347	WASHER 4	10	1

*Color Code (-)=Not Shown #=Series, Serial Prefix or Run No., N=Not Available

Section: IDLER

Model: MFS80PNFVS



23-Dec-05
507 470A

CW23-16

Section: IDLER

No.	Part No.	Description	Series	Qty
1	23003225	ROLLER, TENSION (COMPLETE)	10	1
2	23002663	TENSION ROLLER	10	1
3	23003226	ROLLER	10	1
4	23002665	BEARING 6305-2RS1/C3	10	1
5	23003855	RING, RETAINING 25	10	1
6	23003856	RING, RETAINING 62	10	1
7	23004438	ADJUSTING BACKSCREW TUB	10	1
8	N 23002669	SCREW (M12 X 30)	10	1
9	23003676	NUT (M12)	10	1
10	23002657	WASHER (13)	10	1
11	23002658	WASHER (12)	10	1
12	N 23003227	WASHER	10	1

*Color Code (-)=Not Shown #=Series, Serial Prefix or Run No., N=Not Available

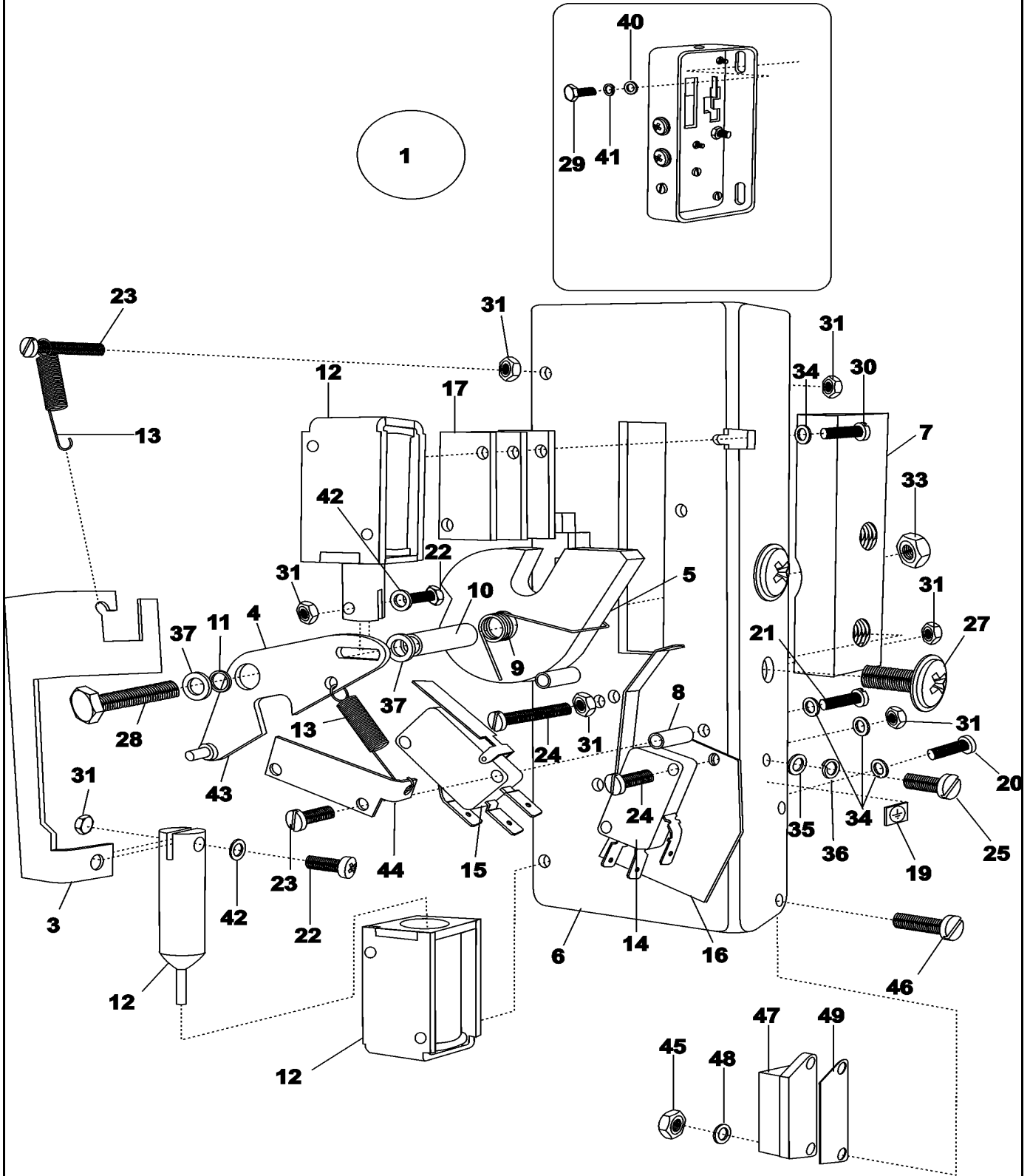
Section: DOOR

No.	Part No.	Description	Series	Qty
1	23003228	DOOR (COMPLETE)	10	1
2	23002675	DOOR	10	1
3	23004439	DOOR HINGE BARS	10	1
4	23003945	HANDLE	10	1
6	23002679	LEVER, DOOR	10	1
7	23002680	TYRE	10	1
9	23002681	INSERTION PIECE	10	1
10	23002682	WASHER	10	1
11	23002683	PLATE	10	1
12	23002684	Z-BRACKET	10	1
13	23002685	NUT, DISPLACING	10	1
15	23004440	SHIM	10	1
16	23003946	SEAL, GLASS	10	1
17	23003947	SEAL, DOOR	10	1
18	23003414	GLASS, DOOR	10	1
19	23002265	WASHER	10	1
20	23001468	STICKER, SPIN DIRECTION	10	1
21	23001618	SCREW (M6X18)	10	1
22	23001658	SCREW (M6X10)	10	1
23	23002280	NUT (M6)	10	1
24 N	23002392	NUT (M6)	10	1
25	23002424	WASHER	10	1
26	23002130	WASHER (6)	10	1
27	23002691	PIN	10	1
28	23002692	SLEEVE	10	1
29	23003948	RETAINING RING	10	1
33	23004441	UPPER HINGE	10	1
35	23004442	BUSHING, BRACKET	10	1
37	23002698	SCREW, DOOR CONSOLE	10	1
38 N	23002699	WASHER, DOOR CONSOLE	10	1
39	23003950	INDEX PLATE, HEAT WARN	10	1
40	23001668	CONTACT, MAGNETIC	10	1
41 N	23003951	HOLDER, MAGNET	10	1
43	23002721	SCREW (M4 X 12)	10	1
44	23004443	LOWER HINGE	10	1

*Color Code (-)=Not Shown #=Series, Serial Prefix or Run No., N=Not Available

Section: DOOR LOCK

Model: MFS80PNFVS



03-Mar-03
507 472B

CW10-84

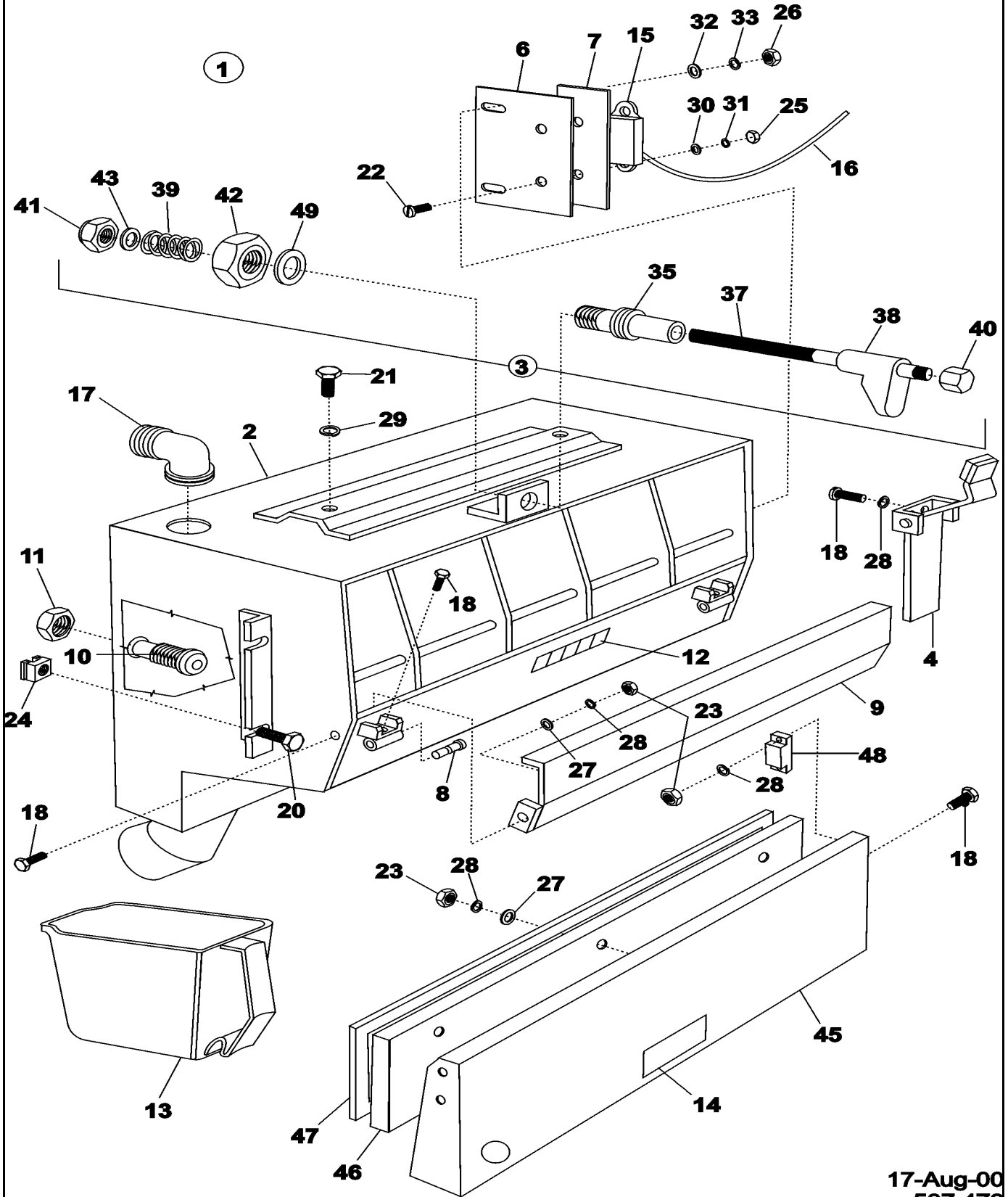
Section: DOOR LOCK

No.	Part No.	Description	Series	Qty
1	23003952	LOCK, DOOR COMPLETE	10	1
3	23002702	GATE	10	1
4	23002703	LINK	10	1
5	23002704	CAM LU	10	1
6	23003953	PLATE	10	1
7	23002706	RISING SECTION	10	1
8 N	23002707	COLUMN	10	1
9	23002708	SPRING	10	1
10	23004444	TUBE	10	1
11	23002710	RING	10	1
12	23002711	COIL	10	1
13	23002712	SPRING	10	1
14	23002713	MICROSWITCH	10	1
15	23002714	MICROSWITCH	10	1
16	23003863	PLATE, MICROSWITCH	10	1
17	23002716	WASHER, COIL	10	1
19	23002505	PLATE, EARTH	10	1
20	23002717	SCREW (M3 X 6)	10	1
21 N	23002183	SCREW (M3X10)	10	1
22	23003115	SCREW (M3X14)	10	1
23	23002718	SCREW (M3 X 16)	10	1
24	23002719	SCREW (M3 X 20)	10	1
25	23002720	SCREW (M4 X 8)	10	1
27	23002722	SCREW (M6 X 12)	10	1
28	23002463	SCREW (M6 X 30)	10	1
29	23002723	SCREW (M8 X 22)	10	1
30 N	23003229	SCREW (M3X12)	10	1
31	23002958	NUT (M3)	10	1
33	23003773	NUT M6	10	1
34	23003654	WASHER (M3)	10	1
35	23003955	WASHER	10	1
36	23002400	WASHER	10	1
37	23003767	WASHER BRASS	10	1
40	23001608	WASHER (M8) LU	10	1
41	23002727	WASHER (8) LU	10	1
42 N	23002498	WASHER	10	1
43	23002728	PIN	10	1
44 N	23002729	HOLDER, COIL	10	1
45	23003666	NUT (M4)	10	1
46	23002398	SCREW (M4X16)	10	1
47	23002730	SEAL	10	1
48	23001610	WASHER (4.3)	10	1
49	23002715	INSULATION	10	1

*Color Code (-)=Not Shown #=Series, Serial Prefix or Run No., N=Not Available

Section: SOAP HOPPER

Model: MFS80PNFVS



17-Aug-00
507 473

CW16-34

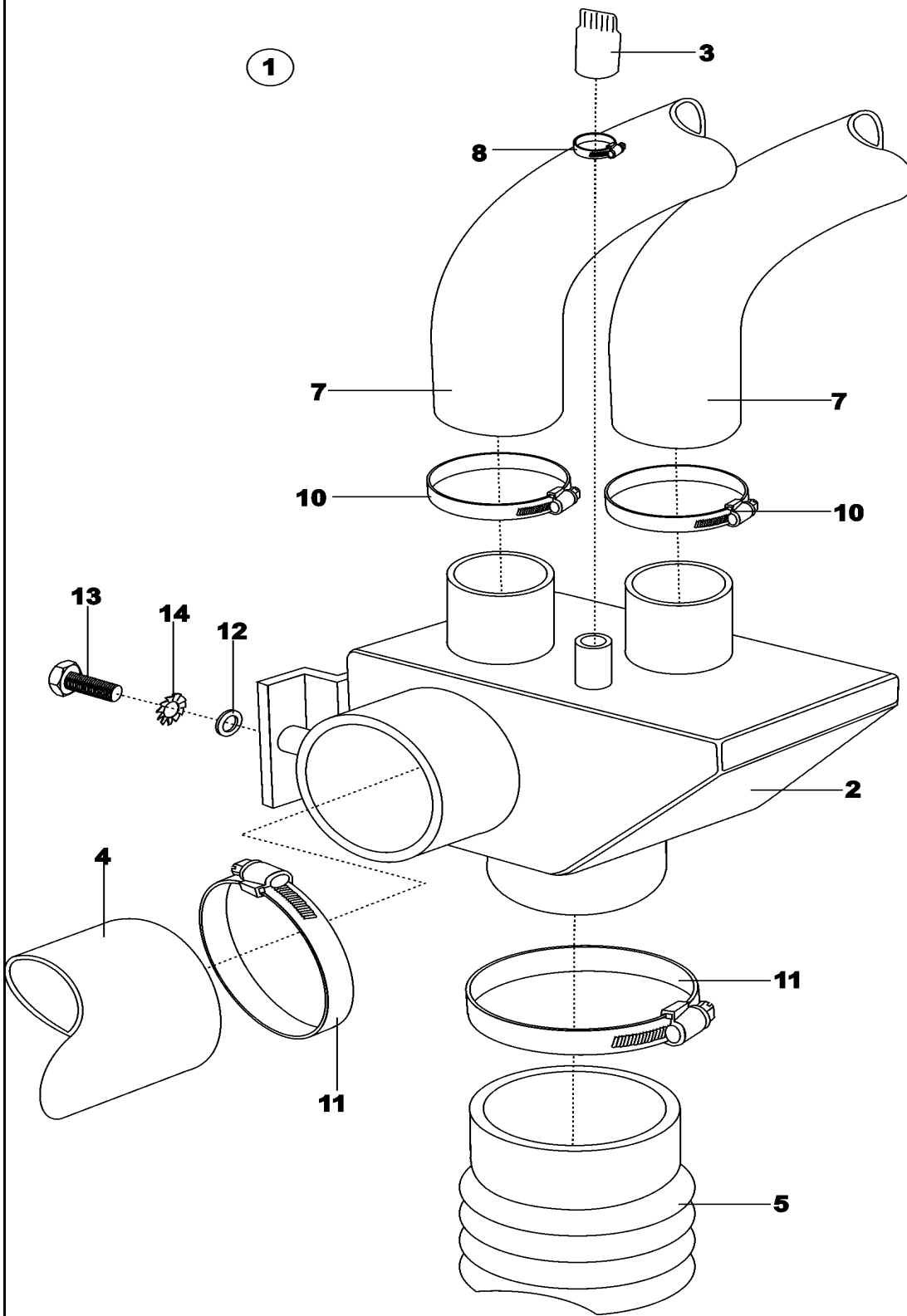
Section: SOAP HOPPER

No.	Part No.	Description	Series	Qty
1	23003230	SOAP BOX (COMPLETE)	10	1
2	23002731	SOAPHOPPER	10	1
3	23003957	SOAPHOPPER, LOCK	10	1
4	N 23002732	OVERSEAL	10	1
5	23002733	COVER, SOAPHOPPER	10	1
6	N 23002734	HOLDER	10	1
7	23002735	INSULATION	10	1
8	23002736	PIN, DOOR	10	1
9	23002737	COVER	10	1
10	23002738	NOZZLE	10	1
11	23002739	NUT	10	1
12	N 23003123	LABEL, SOAP BOX	10	1
13	23002135	CUP, SOAP BOX	10	1
14	N 23002741	PLATE, INDEX	10	1
15	23001566	SWITCH, MAGNETIC	10	1
16	23002742	TUBE, INSULATION	10	1
17	N 23002743	ELBOW	10	1
18	23001682	SCREW (M4X6)	10	1
20	23002422	SCREW (M6 X 12)	10	1
21	N 23002744	SCREW (M6 X 10)	10	1
22	N 23002183	SCREW (M3X10)	10	1
23	23002652	NUT (QTY OF 4 = 1 PIECE)	10	1
24	23002455	NUT, RAPID (M6)	10	1
25	23002958	NUT (M3)	10	1
26	23003666	NUT (M4)	10	1
27	23002129	WASHER (M4)	10	1
28	23002674	SPRING, LOCK WASHER	10	1
29	23002440	WASHER, SPRING LOCK (6)	10	1
30	23003654	WASHER (M3)	10	1
31	N 23002746	WASHER	10	1
32	23002438	WASHER (M6)	10	1
33	23002400	WASHER	10	1
35	23002747	PIN	10	1
37	23002748	SCREW	10	1
38	23002749	LEVER	10	1
39	23002010	SPRING	10	1
40	N 23002392	NUT (M6)	10	1
41	23002471	NUT	10	1
42	23003676	NUT (M12)	10	1
43	23003778	WASHER 12	10	1
45	23003231	COVER, SOAP BOX (COMPLETE)	10	1
46	23002751	COVER, INSERT	10	1
47	23001666	SEAL (10X20X1130) LU	10	1
48	N 23001688	PLATE, SCREENING	10	1
49	23002658	WASHER (12)	10	1

*Color Code (-)=Not Shown #=Series, Serial Prefix or Run No., N=Not Available

Section: FILLING SYSTEM

Model: MFS80PNFVS



16-May-04
507 474A

CW21-187

Section: FILLING SYSTEM

No.	Part No.	Description	Series	Qty
1	23003232	KNOT, MIXING	10	1
2	23004447	MIXER-2 WATER INLET	10	1
3	23001459	LIQUID SOAP, HOSE	10	1
4	23001589	TUBE, SOAP BOX (1=210MM)	10	1
5	23003934	HOSE, RUBBER	10	1
7	23002755	HOSE	10	1
8 N	23002829	CLAMP (10-16/7.5)	10	1
10	23001261	CLAMP, HOSE (32-50)	10	1
11	23001256	CLAMP, HOSE (60-80)	10	1
12	23003778	WASHER 12	10	1
13	23002463	SCREW (M6 X 30)	10	1
14	23002756	WASHER	10	1

*Color Code (-)=Not Shown #=Series, Serial Prefix or Run No., N=Not Available

Section: VALVES

Model: MFS80PNFVS

Hard water / Cold water hard Agua fria dura Agua fria dura ZAKALNO KIPKO NEREO Kylmät vesi, kova	Eau dure froide Kältes Wasser hart Kylmät vesi Agua fria dura Agua fria dura Herkki hoidet vesi
---	--

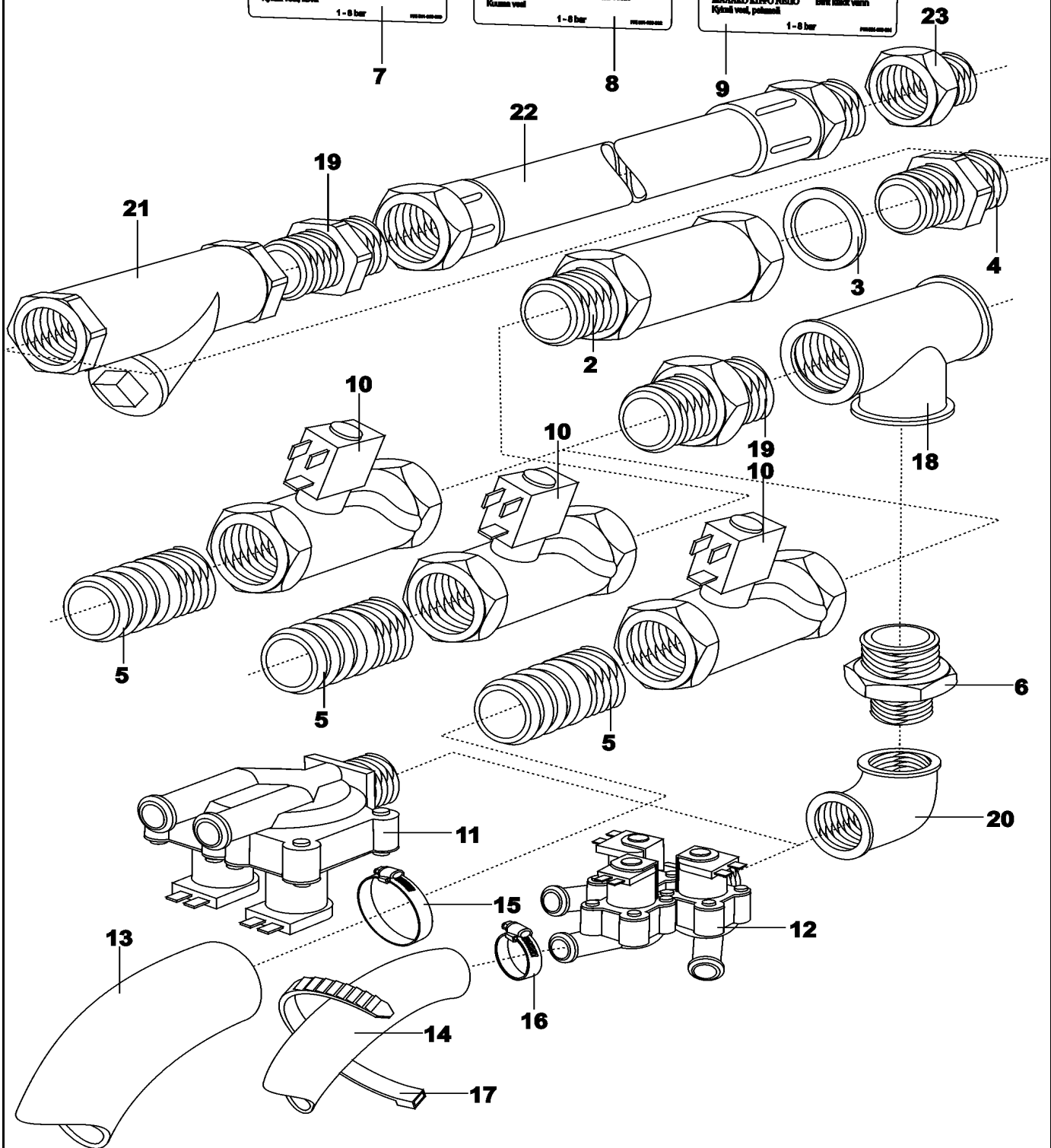
1 - 0 bar

Warm water Hot water Agua Caliente Agua Caliente ZEEKO NEREO Kuumaa vesi	Eau chaude Warm Wasser Varmat vesi Agua Calda Varmat vesi
---	---

1 - 0 bar

Zeefd water / Cold water soft Agua fria descalcificada Agua fria macia MAAKKO KIPKO NEREO Kylmät vesi, pehmeä	Eau douce froide Kältes Wasser weich Kylmät vesi Agua fria doba Agua fria doba DRI hoidet vesi
--	---

1 - 0 bar



03-Mar-02
507 475

CW21-188

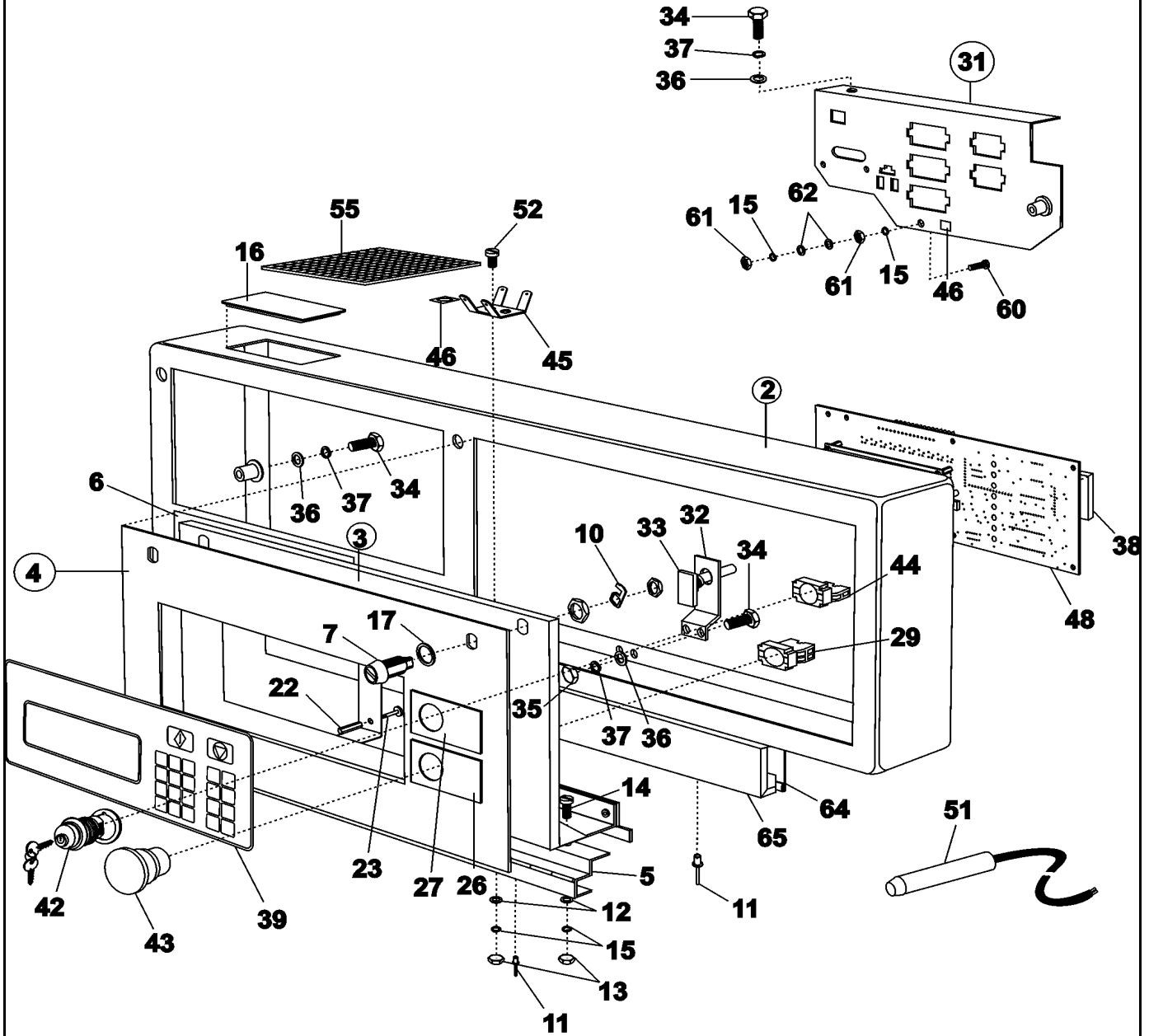
Section: VALVES

No.	Part No.	Description	Series	Qty
2	23002757	EXTENSION	10	1
3	23002758	WASHER	10	1
4	23002759	NIPPLE, PIPE	10	1
5	23002045	COUPLING, PIPE	10	1
6	23002761	REDUCER	10	1
7	23001471	STICKER, COLD SOFT WATER	10	1
8	23001469	STICKER, HOT WATER	10	1
9	N 23001470	STICKER, COLD HARD WATER	10	1
10	23002762	VALVE	10	1
11	23003875	VALVE, 2 WAY	10	1
12	23003876	VALVE 3-WAY	10	1
13	23002755	HOSE	10	1
14	23001507	WATERHOSE (GREEN)	10	1
15	23001261	CLAMP, HOSE (32-50)	10	1
16	23001506	CLAMP, HOSE	10	1
17	23001720	BINDER, CABLE	10	1
18	23002069	T-PART (1")	10	1
19	23002068	NIPPLE (1")	10	1
20	23001756	ELBOW (3/4")	10	1
21	23002156	FILTER	10	1
22	23002057	HOSE, WATER INLET	10	1
23	23003695	ADAPTER, INLET HOSE	10	1

*Color Code (-)=Not Shown #=Series, Serial Prefix or Run No., N=Not Available

Section: CONTROL PANEL

Model: MFS80PNFVS



11-Apr-05
516 537

CW11-99

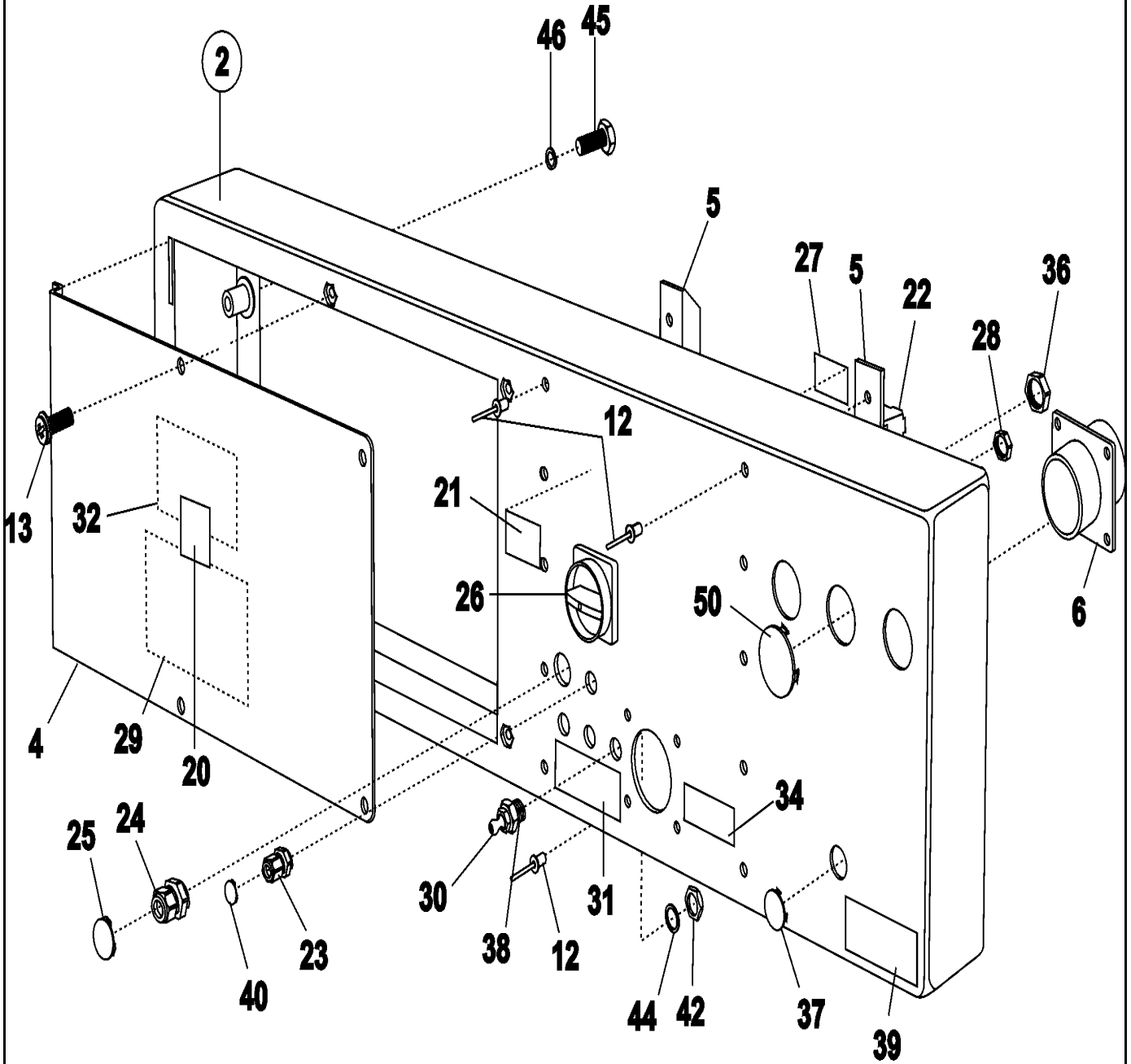
Section: CONTROL PANEL

No.	Part No.	Description	Series	Qty
2	23002763	PANEL, FRONT	10	1
3	23003960	TOP COVER, COMPLETE	10	1
4	23004448	STICKER-FACIA	10	1
5	23002766	SUPPORT, PLATE	10	1
6	23004336	LOGO, LABEL	10	1
7	23001006	LOCK, TOP PANEL	10	1
10	23002451	PAWL	10	1
11	23002408	RIVET W/CRANK	10	1
12	23002438	WASHER (M6)	10	1
13	23003666	NUT (M4)	10	1
14	23002423	SCREW (M4 X 10)	10	1
15	23002400	WASHER	10	1
16 N	23002453	COVER	10	1
17	23001007	WASHER, FIBER	10	1
22	23003873	SLEEVE	10	1
23	23003872	SCREW, THUMB	10	1
26	23002330	LABEL, CENTRAL STOP	10	1
27 N	23002771	PLATE (HOPPERS-PUMPS)	10	1
29	23001076	CONTRACT BLOCK (NO)	10	1
31	23003963	BOARD, COMPLETE	10	1
32	23002774	HOLDER, VIBRATION SWITCH	10	1
33	23002775	SWITCH, VIBRATION	10	1
34 N	23002744	SCREW (M6 X 10)	10	1
35	23003773	NUT M6	10	1
36	23003778	WASHER 12	10	1
37	23002440	WASHER, SPRING LOCK (6)	10	1
38	23003992	MCG EEPROM CHIP LU	10	1
39	23004133	KEY BOARD, FULL CONTROL	10	1
42	23001082	BLOCK, PROGRAMMING KEY	10	1
43	23004136	STOP BUTTON EMERGENCY	10	1
44	23004137	CONTACT BLOCK	10	1
45 N	23002777	CONTACT (6.3 TYPE 140609-0)	10	1
46	23002505	PLATE, EARTH	10	1
48	23003991	MCG CONTROLLER	10	1
51	23003964	SENSOR, TEMPERATURE	10	1
52	23001609	SCREW (M4X12)	10	1
55	23003874	INDEX PLATES	10	1
60	23002778	SCREW (M4 X 12)	10	1
61	23002976	NUT (M4)	10	1
62	23003955	WASHER	10	1
64 N	511231	PILOT VALVE-L	10	1
65	23003966	COVER, TOP FRONT	10	1

*Color Code (-)=Not Shown #=Series, Serial Prefix or Run No., N=Not Available

Section: REAR PANEL

Model: MFS80PNFVS



31-May-04
507 479B

CW21-189

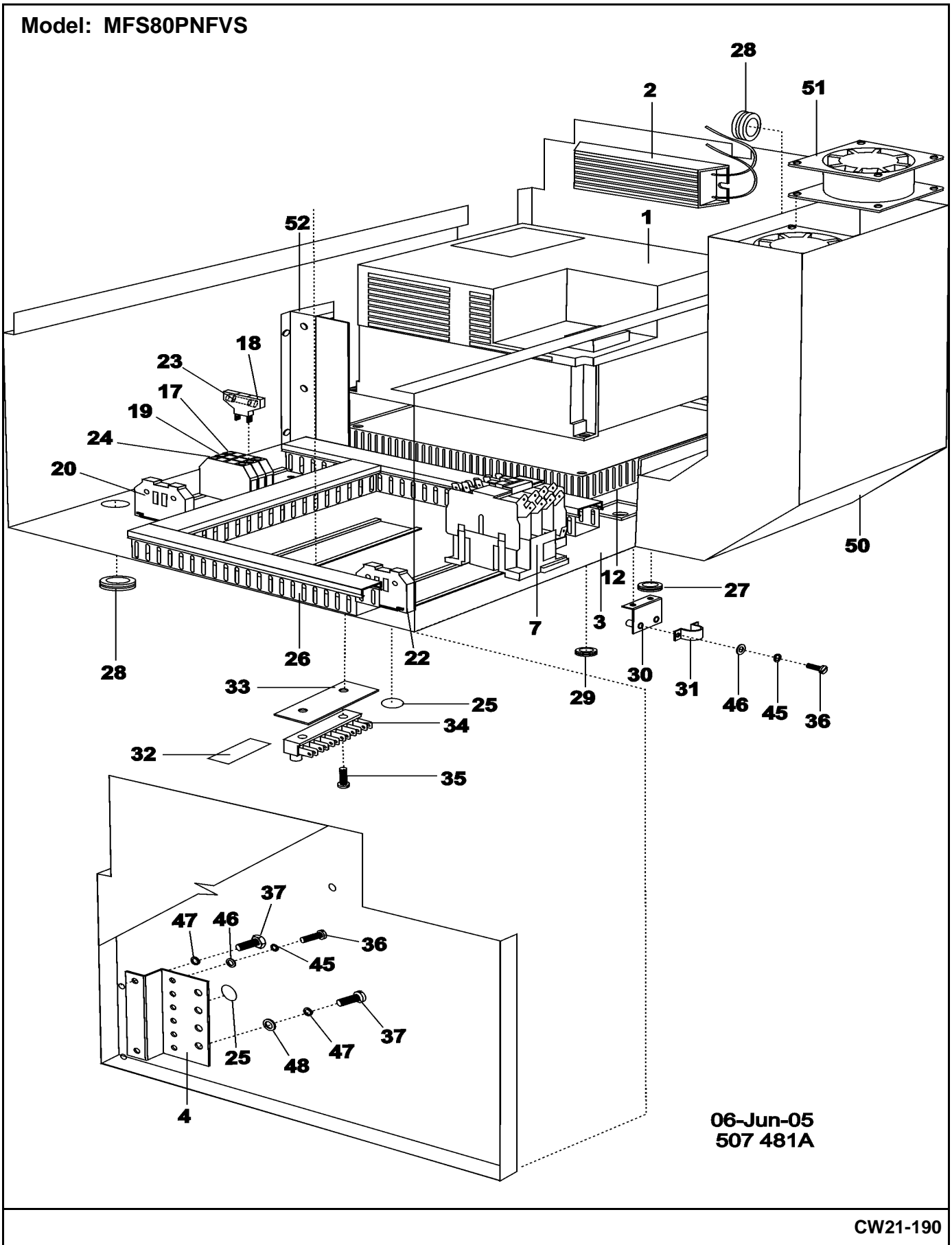
Section: REAR PANEL

No.	Part No.	Description	Series	Qty
2	23004449	REAR PANEL, COMPLETE	10	1
4	23004450	COVER, FREQ CONVERTER	10	1
5	23004451	PUMPS FRAME	10	1
-	23004452	ELBOW	10	1
6	23002787	VENT, REAR PANEL	10	1
12 N	23002467	RIVET/CRANK (4 X 7.5)	10	1
13	23002722	SCREW (M6 X 12)	10	1
20	23003390	INDEX PLATE "FLASH"	10	1
21 N	23001745	LABEL (WARNING)	10	1
22	23003501	SWITCH, MAIN (32A)	10	1
23	23002196	SWIVEL, CABLE	10	1
24 N	23002378	SWIVEL, CABLE	10	1
25 N	23002150	BLIND, UNIVERSAL	10	1
26	23003497	KNOB	10	1
27	23004453	LABEL, WARNING CURRENT	10	1
28	23002197	NUT	10	1
29	23001550	LABEL, EARTH	10	1
30	23002788	HEAD, GREASING	10	1
31	23002793	PLATE (GREASING)	10	1
32	23001465	STICKER, ELECTRICITY WARNING	10	1
34	23002053	LABEL, WARNING VENT OUT	10	1
36 N	23002379	NUT	10	1
37 N	23002794	PLUG (13)	10	1
38 N	23002790	SLEEVE, REDUCING	10	1
39	23003971	LABEL, LIQUID SOAP	10	1
40	23003997	PLUG, HOLE	10	1
42	23002791	NUT (M14 X 1.5)	10	1
44	23002792	WASHER (14)	10	1
45 N	23002744	SCREW (M6 X 10)	10	1
46	23002440	WASHER, SPRING LOCK (6)	10	1
50	23002795	PLUG	10	1

*Color Code (-)=Not Shown #=Series, Serial Prefix or Run No., N=Not Available

Section: ELECTRICAL COMPONENTS

Model: MFS80PNFVS



06-Jun-05
507 481A

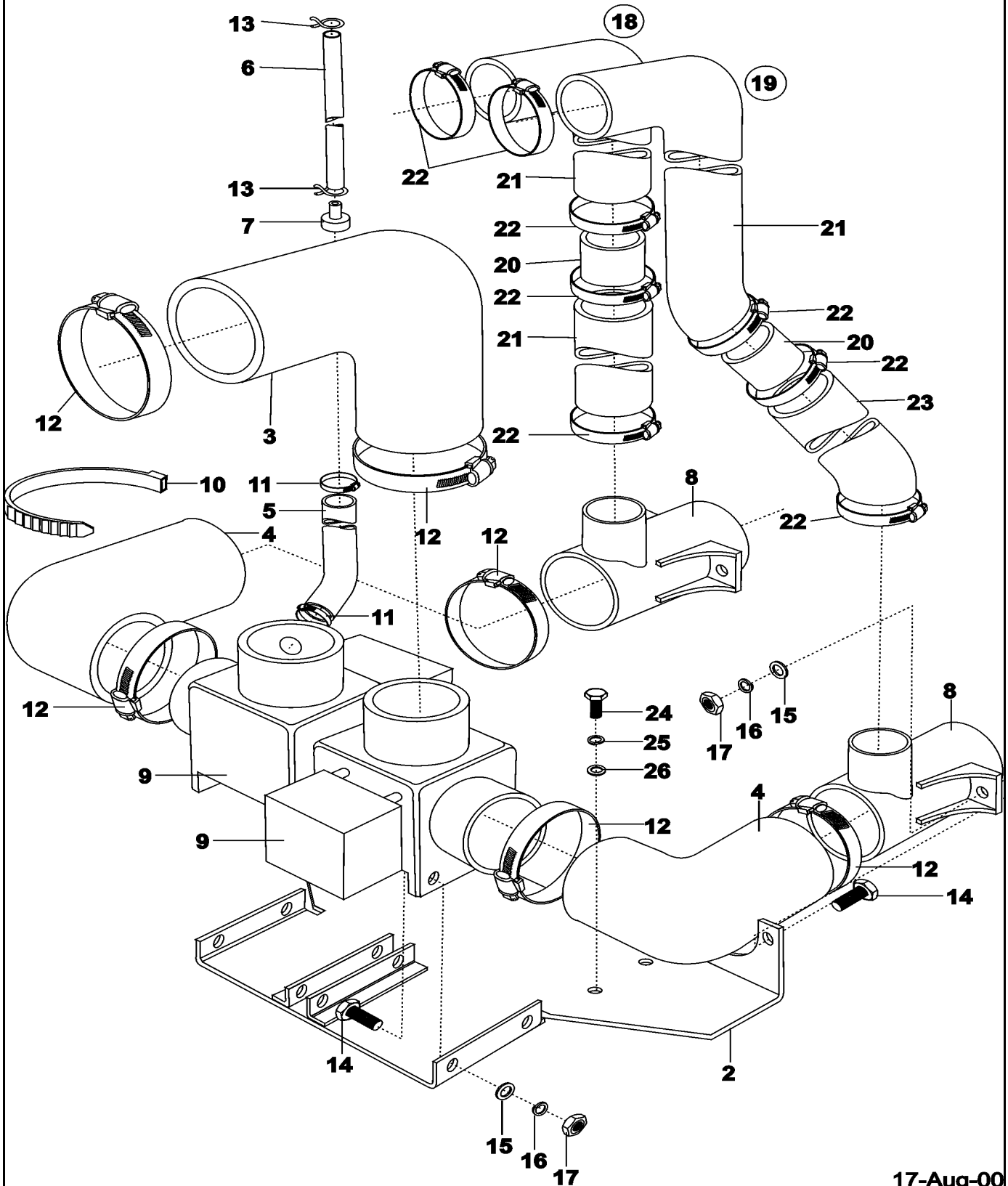
Section: ELECTRICAL COMPONENTS

No.	Part No.	Description	Series	Qty
1	23004361	CABLE, COMMUNICATION	10	1
1	23004087	INVERTER KEB 4.0KW 3PHASE	10	1
2	23004454	BRAKE RESISTOR 208-240V	10	1
3	23004455	DISTRIB. BOARD COMP	10	1
4	23002099	CUBE, EARTH	10	1
7	23003752	Contacto LC1	10	1
12	23004456	FILTER 208-240V 80LB	10	1
17	23003239	CLAMP, FUSE PLUG	10	1
18	23003240	PLUG, FUSE	10	1
19	23004458	CLAMP	10	1
20	N 23002800	COVER (VAST4-4)	10	1
22	23002799	STOP END	10	1
23	23002918	FUSE (1A)	10	1
24	23003385	FUSE 1A 6X32	10	1
25	23002505	PLATE, EARTH	10	1
26	23002103	TROUGH, CABLE	10	1
27	N 23002834	PASSAGE, CABLE (13 X 2)	10	1
28	N 23003156	BUSHING, RUBBER	10	1
29	23001117	RING, RUBBER (DIA. 25)	10	1
30	23004360	CABLE HOLDER	10	1
31	23004021	CABLE SOCKET	10	1
32	23003970	LABEL, TERMINAL BOARD	10	1
33	23001115	INSULATION PAPER	10	1
34	23002154	BOARD, TERMINAL (6 POLES)	10	1
35	23002398	SCREW (M4X16)	10	1
36	N 23002804	SCREW (M4 X 10)	10	1
37	23001733	SCREW (M6X10)	10	1
45	23002950	LOCKWASHER (M4)	10	1
46	23003955	WASHER	10	1
47	23002425	WASHER, LOCK	10	1
48	23003767	WASHER BRASS	10	1
50	23004459	FAN CHANNEL	10	1
51	23002165	VENTILATOR	10	1
52	23004460	FAN CHIMNEY	10	1

*Color Code (-)=Not Shown #=Series, Serial Prefix or Run No., N=Not Available

Section: DRAIN SYSTEM 80LB

Model: MFS80PNFVS



17-Aug-00
507 485

CW21-191

Section: DRAIN SYSTEM 80LB

No.	Part No.	Description	Series	Qty
2	23003243	BOARD, DRAIN (COMPLETE)	10	1
3	23002015	ELBOW (90 DEGREE)	10	1
4	23003245	ELBOW, 90 DEGREE	10	1
5	23003035	ELBOW	10	1
6	23001252	HOSE, WATER LEVEL SWITCH	10	1
7	23001260	BUSHING, AIR DOME HOSE	10	1
8	23001253	DRAIN TEE	10	1
9	23001244	VALVE, DRAIN (240V-50/60HZ)	10	1
-	W10126968	DRAIN VALVE HOUSING 3"	10	1
-	23002321	MOTOR, DRAIN (240V)	10	1
10	23001720	BINDER, CABLE	10	1
11	23001262	CLAMP, HOSE (20-32)	10	1
12	23001258	CLAMP, HOSE (70-90)	10	1
13	23001257	CLAMP, CORBIN (A5.5)	10	1
14	23002475	BOLT (M8X20)	10	1
15	23003769	WASHER M8	10	1
16	23002439	WASHER, SPRING LOCK (8)	10	1
17	N 23003766	NUT M8	10	1
18	23002824	HOSE, DIRECT	10	1
19	23003246	HOSE, BENDED	10	1
20	23002826	PIPE (40)	10	1
21	23001760	HOSE, OVERFLOW	10	1
22	23001750	RING, CLAMP (40-60)	10	1
23	23001251	HOSE, OVERFLOW	10	1
24	23002461	SCREW (M6 X16)	10	1
25	23002440	WASHER, SPRING LOCK (6)	10	1
26	23003778	WASHER 12	10	1

*Color Code (-)=Not Shown #=Series, Serial Prefix or Run No., N=Not Available

