

WASHER

Repair Parts List

MODEL NUMBER

MFS50PNDVS

When requesting service or ordering parts, always provide the following information:

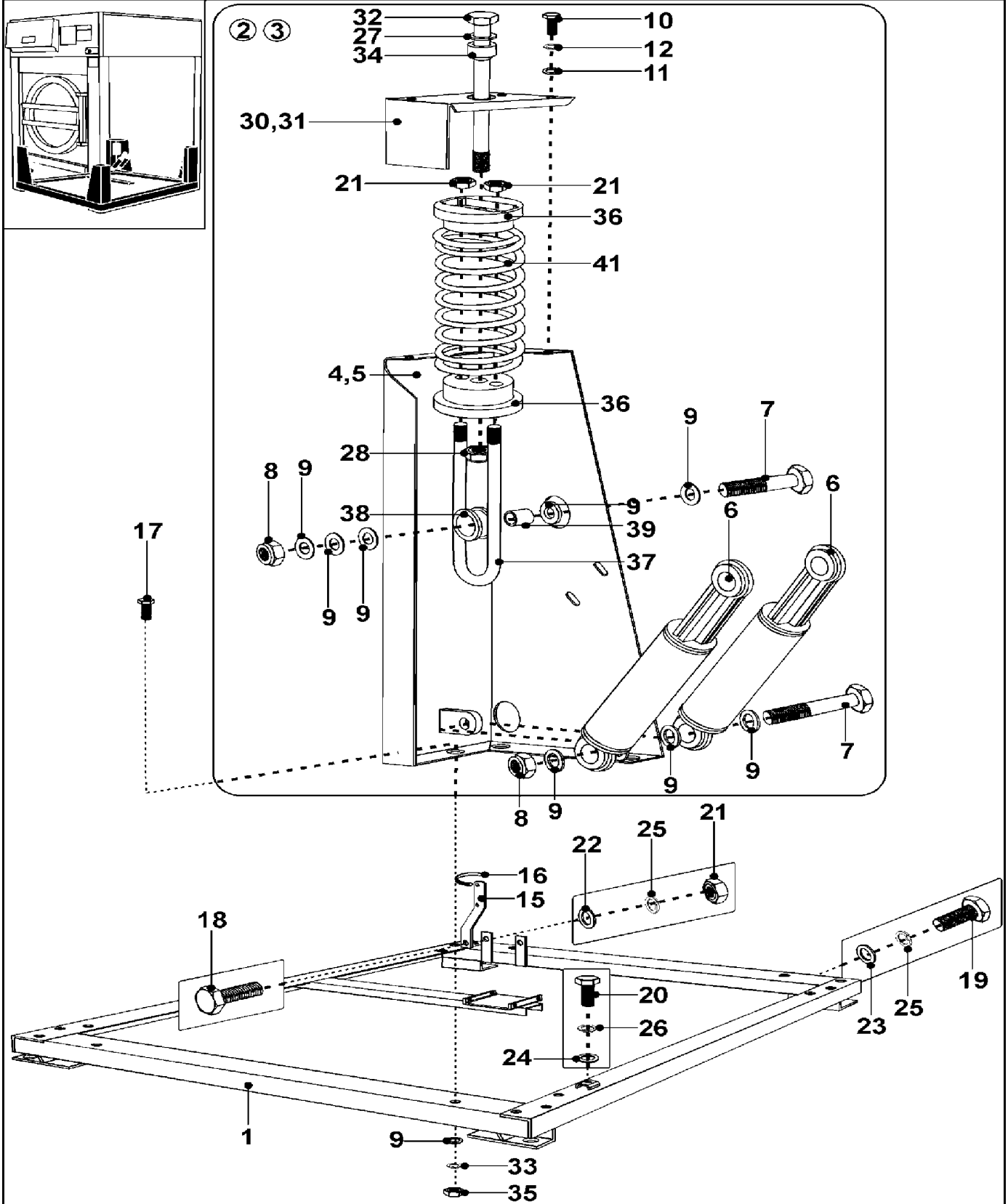
- Product Type
- Part Number
- Model Number
- Part Description

MAYTAG®

©2005 Maytag Services

Section: BASE

Model: MFS50PNDVS



CW19-31

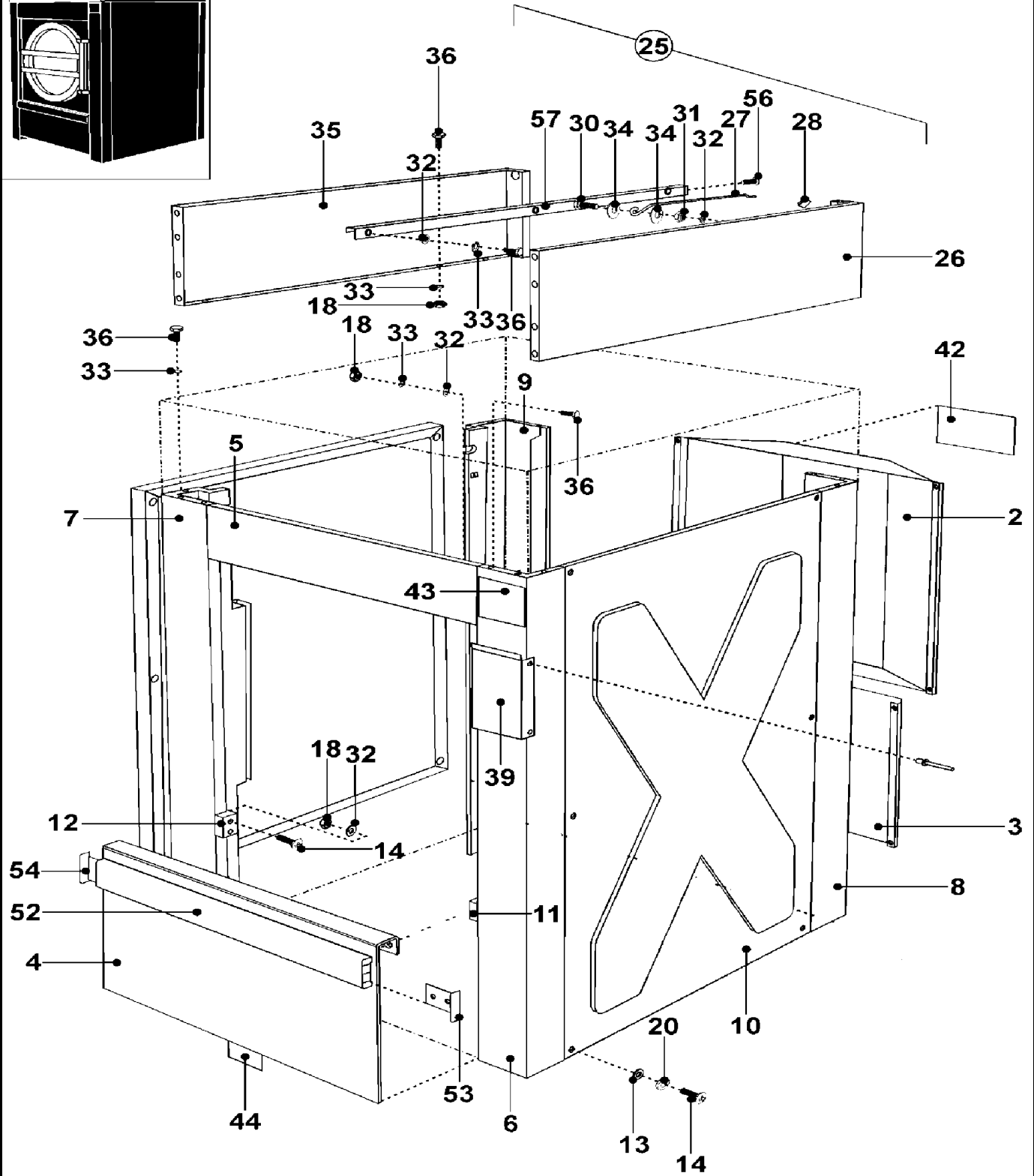
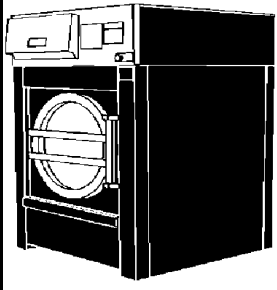
Section: BASE

No.	Part No.	Description	Series	Qty
1	23003823	FRAME, FOUNDATION	10	1
2	23002979	LEG (COMPLETE)	10	2
3	23002980	LEG (COMPLETE)	10	2
4	23002981	LEG	10	2
5	23002982	LEG	10	2
6	23002983	DAMPER (RD 12-2)	10	8
7	23002984	SCREW (M10X80)	10	4
8	23002356	NUT (M10)	10	4
9	23002655	WASHER (10/5)	10	28
10	23002461	SCREW (M6 X16)	10	3
11	23002282	WASHER (6)	10	3
12	23002440	WASHER, SPRING LOCK (6)	10	3
15	23002985	HOLDER	10	4
16	23002986	STRIP, BINDING	10	4
17	23002987	SCREW (M10X30)	10	4
18	23002475	BOLT (M8X20)	10	4
19	23001784	BOLT (M8X14)	10	8
20	23001733	SCREW (M6X10)	10	4
21	23002435	NUT (M8)	10	8
22	23002653	WASHER (8/6)	10	4
23 N	23002810	WASHER (8.4)	10	4
24	23002726	WASHER (6)	10	4
25	23002439	WASHER, SPRING LOCK (8)	10	4
26	23002440	WASHER, SPRING LOCK (6)	10	4
27	23002988	WASHER (10.5)	10	4
28	23002356	NUT (M10)	10	4
30	23003824	PLATE, SMALL	10	2
31	23003825	PLATE, SMALL	10	2
32	23002991	SCREW	10	4
33	23002654	WASHER (10)	10	4
34	23002992	BUSHING, SUSPENSION BOLT	10	4
35	23001661	NUT (M10)	10	4
36	23002993	HOLDER, SPRING (PLASTIC)	10	4
37	23002994	HOOK, SUSPENSION	10	4
38	23002692	SLEEVE	10	4
39	23002995	PIECE, INSERTION	10	4
41	23002996	SPRING	10	4

*Color Code (-)=Not Shown #=Series, Serial Prefix or Run No., N=Not Available

Section: CABINET

Model: MFS50PNDVS



CW12-41

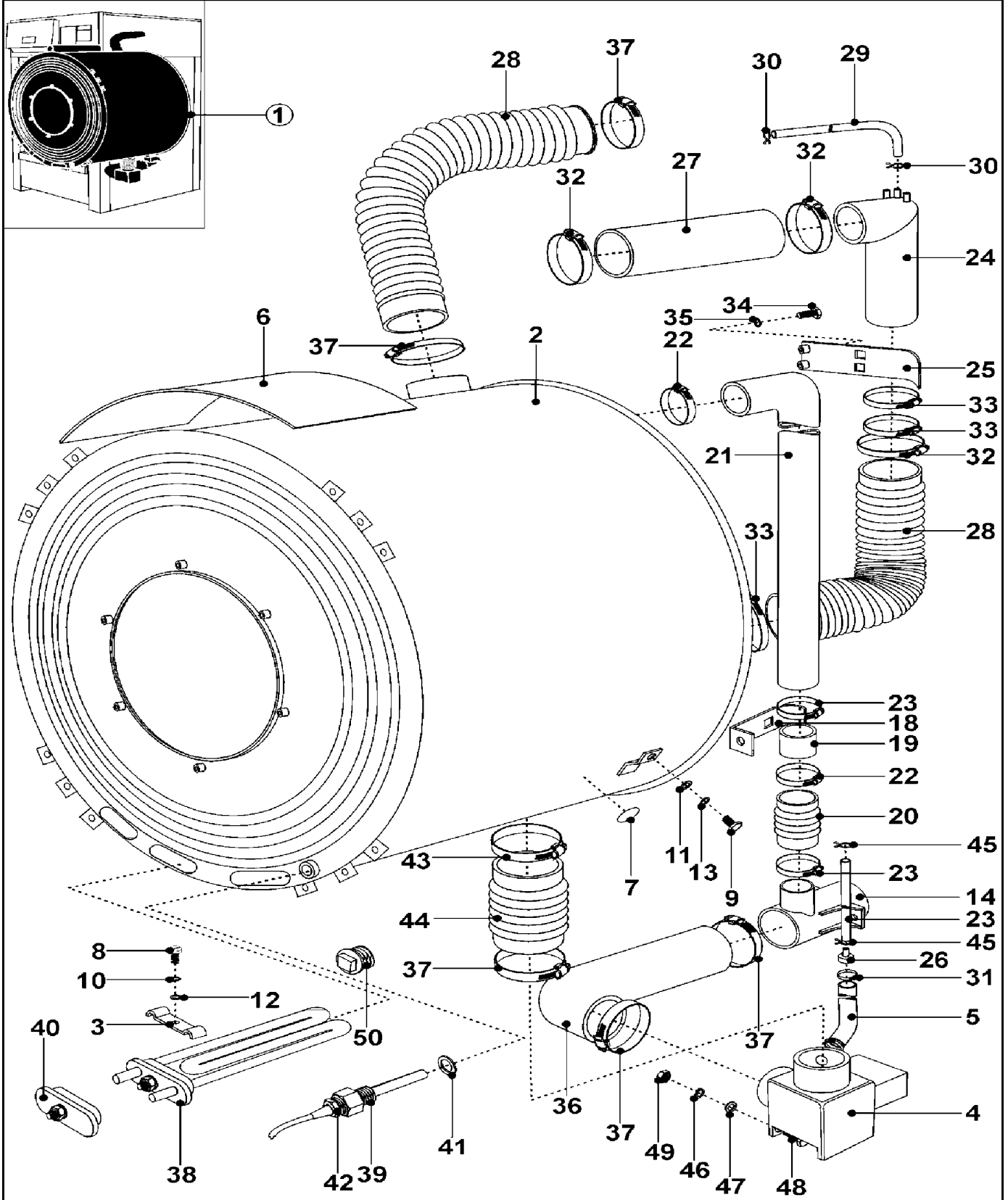
Section: CABINET

No.	Part No.	Description	Series	Qty
2	23002997	COVER, UPPER (REAR)	10	1
3	23002998	COVER, REAR (LOWER)	10	1
4	23003826	COVER, FRONT LOWER	10	1
5	23003827	COVER, FRONT UPPER	10	1
6	23003828	COVER, FRONT RIGHT FRONT	10	1
7	23003829	COVER, FRONT LEFT FRONT	10	1
8	23003004	COVER, CORNER (REAR-LEFT)	10	1
9	23003005	COVER, CORNER (REAR-RIGHT)	10	1
10	23003006	COVER, SIDE	10	1
11	23003007	SUPPORT, PLASTIC (LEFT)	10	1
12	23003008	SUPPORT, PLASTIC (RIGHT)	10	1
13	N 23003009	WASHER	10	10
14	23002375	SCREW (M6X40)	10	10
18	23002470	WASHER	10	1
20	23002457	WASHER	10	1
25	23003010	COVER (COMPLETE)	10	1
26	23003011	COVER	10	1
27	23001330	SUPPORT ROD, TOP PANEL	10	1
28	N 23002208	HOOK, STICK	10	1
30	23002463	SCREW (M6 X 30)	10	1
31	23002471	NUT	10	1
32	23002282	WASHER (6)	10	1
33	23002440	WASHER, SPRING LOCK (6)	10	1
34	23003012	WASHER LU	10	1
35	N 23003013	COVER	10	1
36	23002461	SCREW (M6 X16)	10	1
39	N 23003015	POCKET	10	1
42	23001550	LABEL, EARTH	10	1
43	N 23003019	NOTICE, LABEL	10	1
44	N 23003023	LABEL, FLASH	10	1
52	23002411	PROFILE	10	1
53	23002410	BAR, SIDE	10	1
54	23002409	BAR, INSIDE	10	1
56	23002861	SCREW (M6X25) LU	10	1
57	N 23003031	HOLDER (COMPLETE)	10	1

*Color Code (-)=Not Shown #=Series, Serial Prefix or Run No., N=Not Available

Section: BASKET AND OUTER SHELL ASSY

Model: MFS50PNDVS



CW21-160

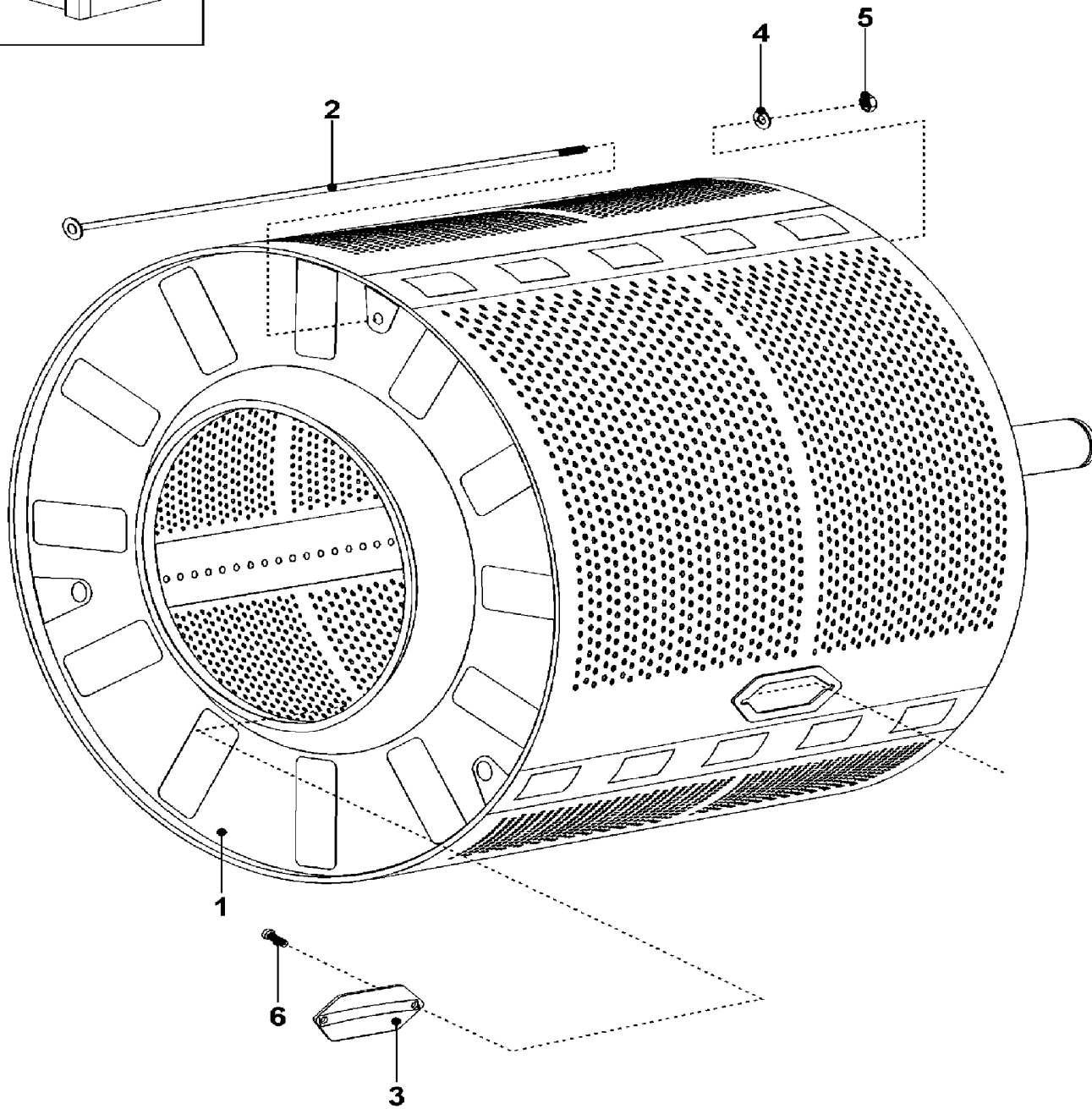
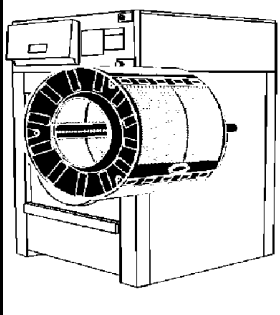
Section: BASKET AND OUTER SHELL ASSY

No.	Part No.	Description	Series	Qty
1	23003032	DRUM, OUTER (COMPLETE)	10	1
2	23003033	DRUM, OUTSIDE	10	1
3	N 23003034	GRIP	10	1
4	23001244	VALVE, DRAIN (240V-50/60HZ)	10	1
5	23003035	ELBOW	10	1
6	23003036	PLATE, BLACK	10	1
7	23002505	PLATE, EARTH	10	1
8	23001781	BOLT (M4X10)	10	1
9	23001733	SCREW (M6X10)	10	1
10	23002129	WASHER (M4)	10	1
11	23002282	WASHER (6)	10	1
12	23002674	SPRING, LOCK WASHER	10	1
13	23002440	WASHER, SPRING LOCK (6)	10	1
14	23001253	DRAIN TEE	10	1
18	N 23003037	HOLDER, OVERFLOW HOSE	10	1
19	23003038	TUBE	10	1
20	23003039	HOSE, RUBBER	10	1
21	23002017	HOSE, OVERFLOW	10	1
22	23001261	CLAMP, HOSE (32-50)	10	1
23	23001252	HOSE, WATER LEVEL SWITCH	10	1
24	23003830	ELBOW	10	1
25	23003041	HOLDER, AIR BREAK	10	1
26	23001260	BUSHING, AIR DOME HOSE	10	1
27	23001589	TUBE, SOAP BOX (1=210MM)	10	1
28	23003042	HOSE, RUBBER	10	1
29	23002193	HOSE	10	1
30	23001506	CLAMP, HOSE	10	1
31	23001262	CLAMP, HOSE (20-32)	10	1
32	23001256	CLAMP, HOSE (60-80)	10	1
33	23001750	RING, CLAMP (40-60)	10	1
34	23001641	SCREW (M6X16)	10	1
35	23002130	WASHER (6)	10	1
36	23003043	ELBOW	10	1
37	23001258	CLAMP, HOSE (70-90)	10	1
38	23002482	ELEMENT, HEAT 100-125LB	10	1
39	23003831	SENSOR, TEMPERATURE	10	1
40	23001594	BLIND, HEATING ELEMENT	10	1
41	23002179	WASHER	10	1
42	23003807	HOLDER THERMOSTAT SENSOR	10	1
42	23001025	CLAMP, HOSE (DIA 90/110)	10	1
43	23001025	CLAMP, HOSE (DIA 90/110)	10	1
44	23003044	HOSE, RUBBER OUTLET	10	1
45	23001257	CLAMP, CORBIN (A5.5)	10	1
46	23002439	WASHER, SPRING LOCK (8)	10	1
47	23002653	WASHER (8/6)	10	1
48	N 23003045	SCREW (M8X20)	10	1
49	23002435	NUT (M8)	10	1
50	23002480	PLUG (3/4)	10	1

*Color Code (-)=Not Shown #=Series, Serial Prefix or Run No., N=Not Available

Section: INNER TUB

Model: MFS50PNDVS



CW17-47

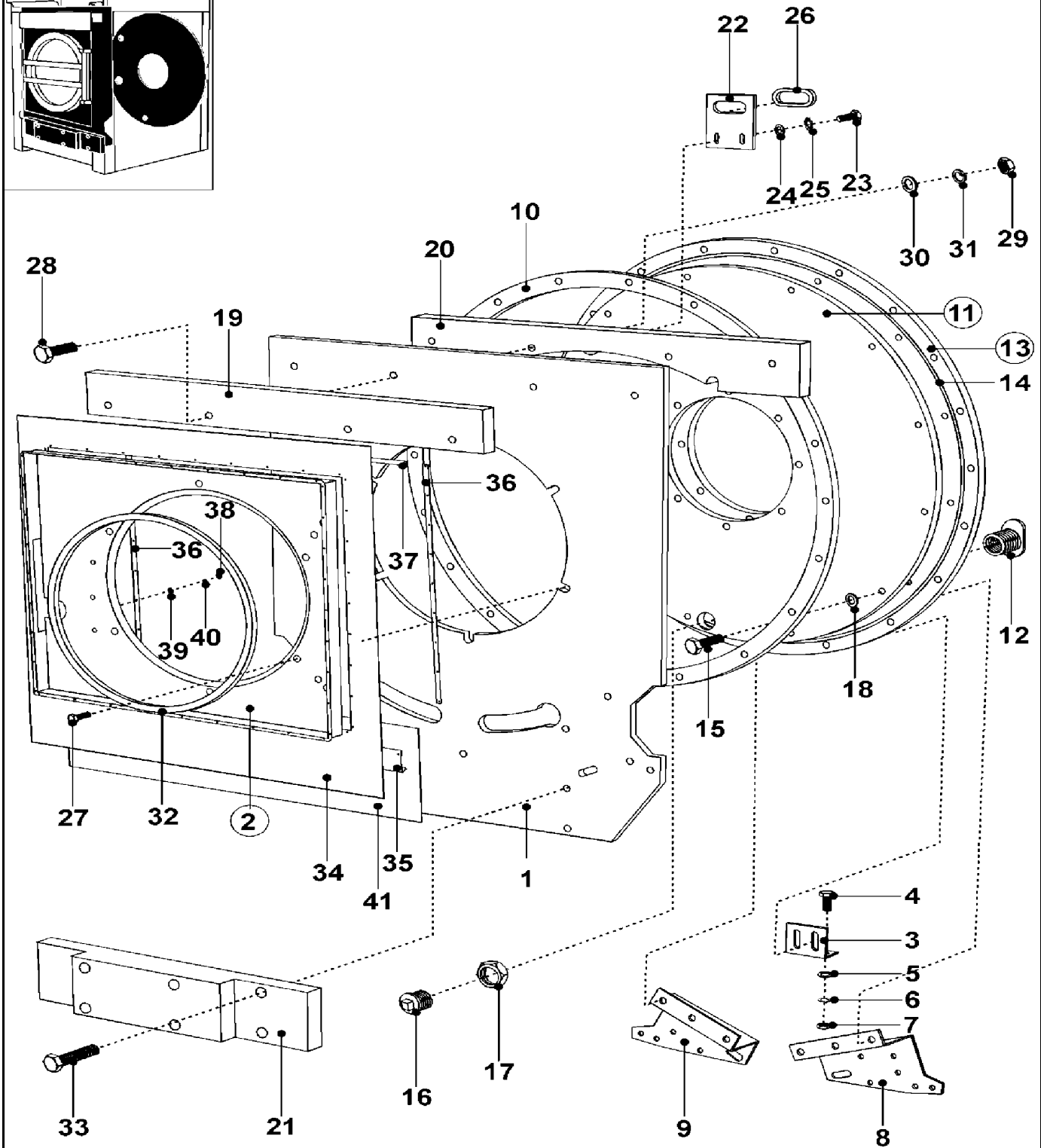
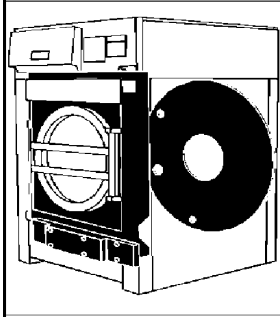
Section: INNER TUB

No.	Part No.	Description	Series	Qty
1	23003046	DRUM, WASHING	10	1
2	23003832	BOLT	10	3
3	23002259	COVER	10	1
4	23003833	WASHER	10	3
5	23003834	NUT M14	10	3
6	23002617	SCREW (M4X8)	10	2

*Color Code (-)=Not Shown #=Series, Serial Prefix or Run No., N=Not Available

Section: FRONT COUNTER WEIGHT

Model: MFS50PNDVS



CW21-161

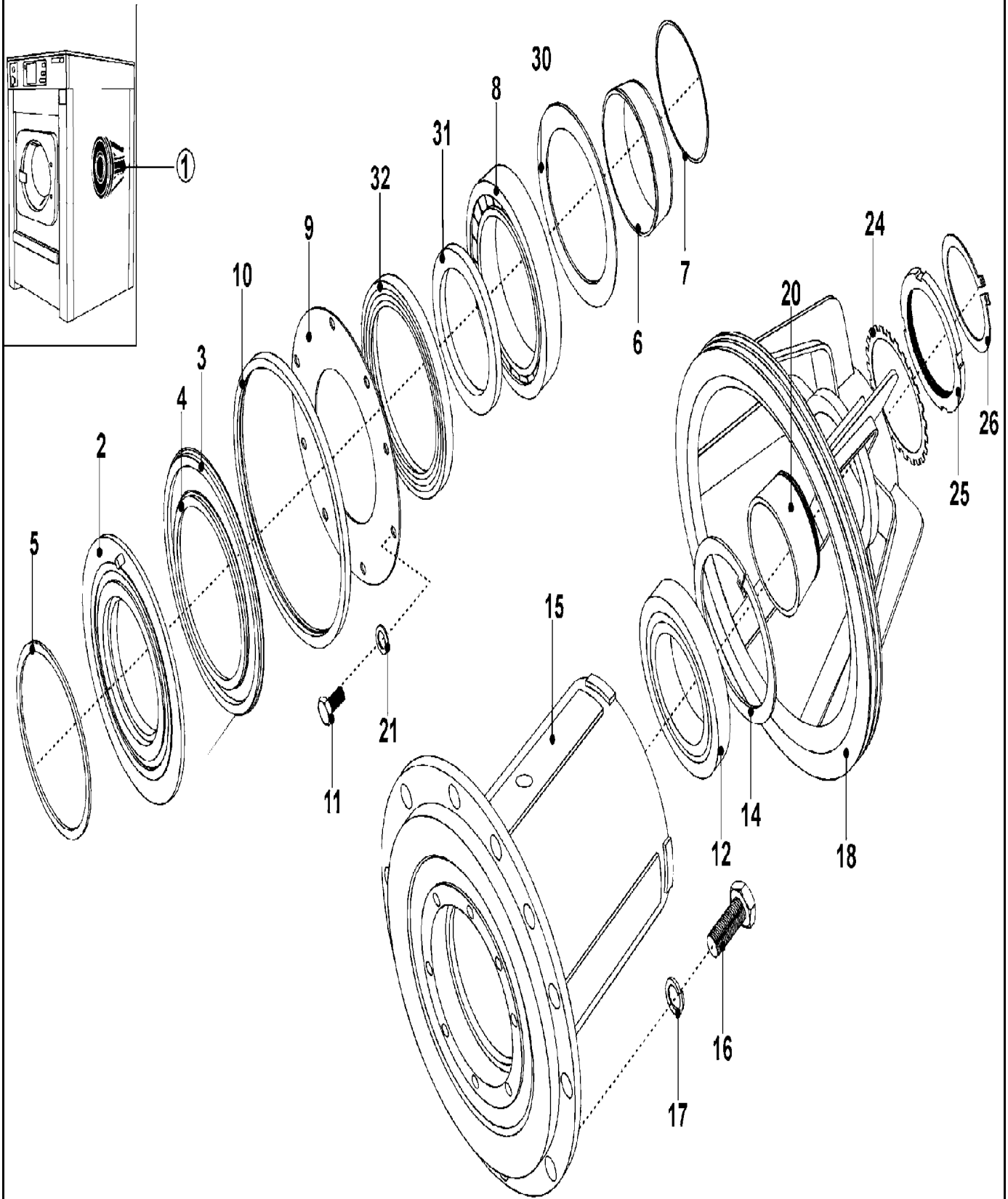
Section: FRONT COUNTER WEIGHT

No.	Part No.	Description	Series	Qty
1	23003049	COUNTER WEIGHT (FRONT)	10	1
2	23003835	COVER, COMPLETE	10	1
3	23003051	SUPPORT	10	1
4	23002987	SCREW (M10X30)	10	1
5	23002655	WASHER (10/5)	10	1
6	23002654	WASHER (10)	10	1
7	23001661	NUT (M10)	10	1
8	23003052	HOLDER, DAMPER	10	1
9	23003053	DAMPER, HOLDER	10	1
10	23003054	RING, ASSEMBLING DRUM	10	1
11	23003055	PLATE, BACK	10	1
12	23003056	JOINT, SCREW	10	1
13	23003836	PLATE, REAR	10	1
14	23003058	SEALING	10	1
15	23002422	SCREW (M6 X 12)	10	1
16	23002480	PLUG (3/4)	10	1
17	23003059	NUT, BINDING	10	1
18	23002281	WASHER (6-COPPER)	10	1
19	23003060	WEIGHT (UPPER)	10	1
20	23003061	WEIGHT (UPPER-2)	10	1
21	23003062	WEIGHT (LOWER)	10	1
22	23003063	PLATE, OUT OF BALANCE	10	1
23	23002462	SCREW (M6 X 20) LU	10	1
24	23002282	WASHER (6)	10	1
25	23002440	WASHER, SPRING LOCK (6)	10	1
26	23001117	RING, RUBBER (DIA. 25)	10	1
27	23002721	SCREW (M4 X 12)	10	1
28 N	23003064	SCREW (M8X80)	10	1
29	23002435	NUT (M8)	10	1
30	23002653	WASHER (8/6)	10	1
31	23002439	WASHER, SPRING LOCK (8)	10	1
32	23002473	RUBBER, PROTECTIVE	10	1
33 N	23003065	SCREW (M10X120)	10	1
34	23003837	RUBBER	10	1
35	23003838	STRIP, METAL BOTTOM	10	1
36	23003839	STRIP, METAL SIDES	10	1
37	23003840	STRIP, METAL TOP	10	1
38	23002652	NUT (QTY OF 4 = 1 PIECE)	10	1
39	23002129	WASHER (M4)	10	1
40	23002674	SPRING, LOCK WASHER	10	1
41	23003841	CARDBOARD	10	1

*Color Code (-)=Not Shown #=Series, Serial Prefix or Run No., N=Not Available

Section: TRUNNION AND BEARING ASSY

Model: MFS50PNDVS



CW21-162

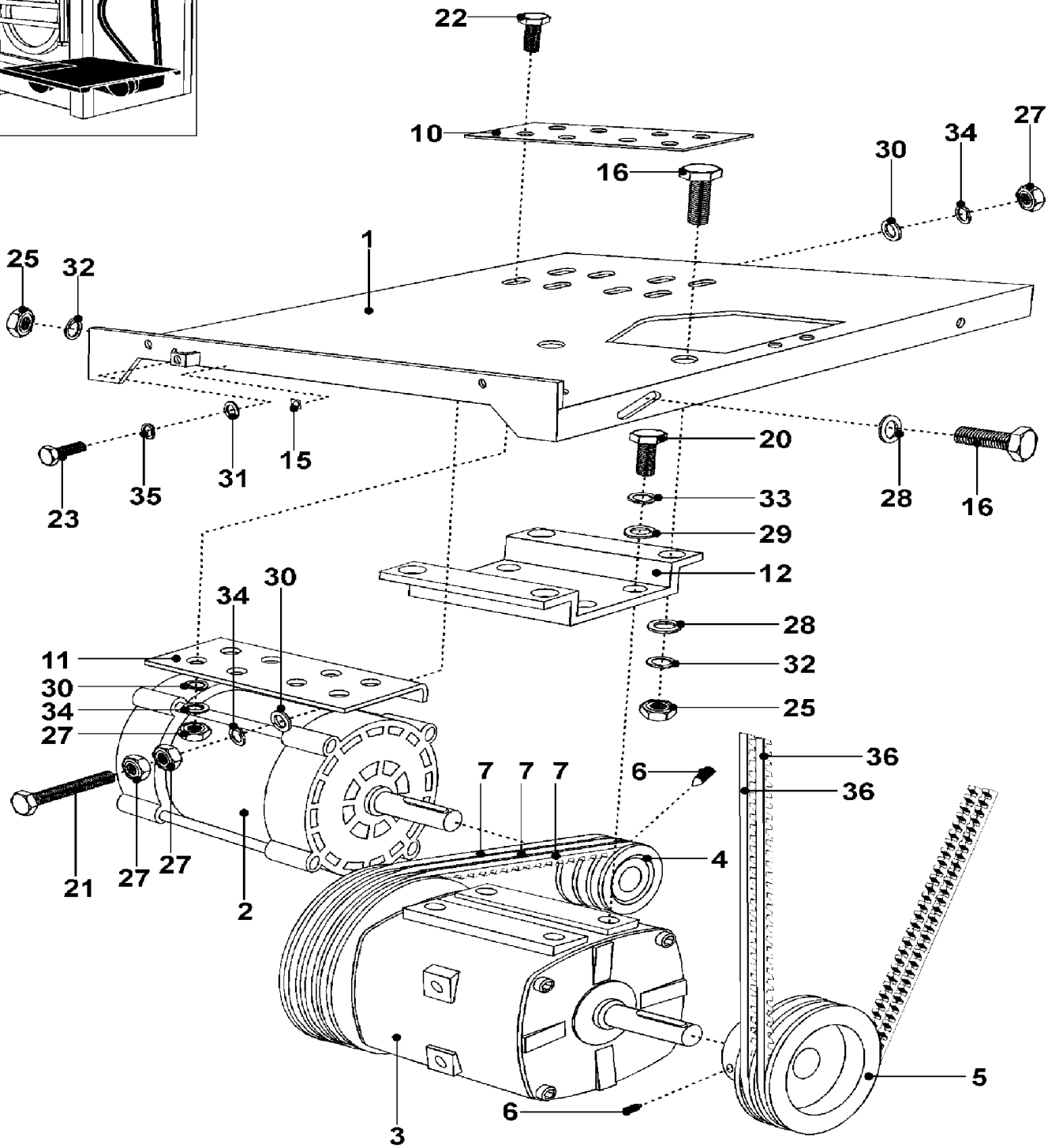
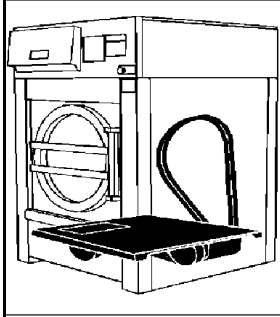
Section: TRUNNION AND BEARING ASSY

No.	Part No.	Description	Series	Qty
1	23003066	HUB (COMPLETE) LU	10	1
2	23003842	HOLDER, SEAL	10	1
3	23003843	V-SEAL BIG	10	1
4	23003069	SEALING	10	1
5	23003070	O-RING	10	1
6	23003844	CONE, MOUNTING	10	1
7	23003072	RING	10	1
8	23003073	BEARING	10	1
9	23003845	PLATE, SEAL	10	1
10	23003102	SEAL, U	10	1
11	23002422	SCREW (M6 X 12)	10	8
12	23003076	BEARING	10	1
14	23003852	RING, RETAINING	10	1
15	23003846	HOUSING, BEARING	10	1
16	23003079	SCREW (M12X40)	10	16
17	23002658	WASHER (12)	10	16
18	23003080	PULLEY, BELT	10	1
20	23001653	BUSHING	10	1
21	23002281	WASHER (6-COPPER)	10	8
24	23001868	RING, SAFETY	10	1
25	23001867	RING, FASTENING	10	1
26	23003847	RING, RETAINING	10	1
30	23003848	HOLDER, GREASE	10	1
31	23003849	RING, SEALING	10	1
-	23003851	REBUILDING KIT, BEARING HOU LU	10	1
32	23003850	SEALING, RADIAL	10	1

*Color Code (-)=Not Shown #=Series, Serial Prefix or Run No., N=Not Available

Section: MOTOR AND BASKET PULLEY

Model: MFS50PNDVS



17-Aug-00
507 446

CW21-163

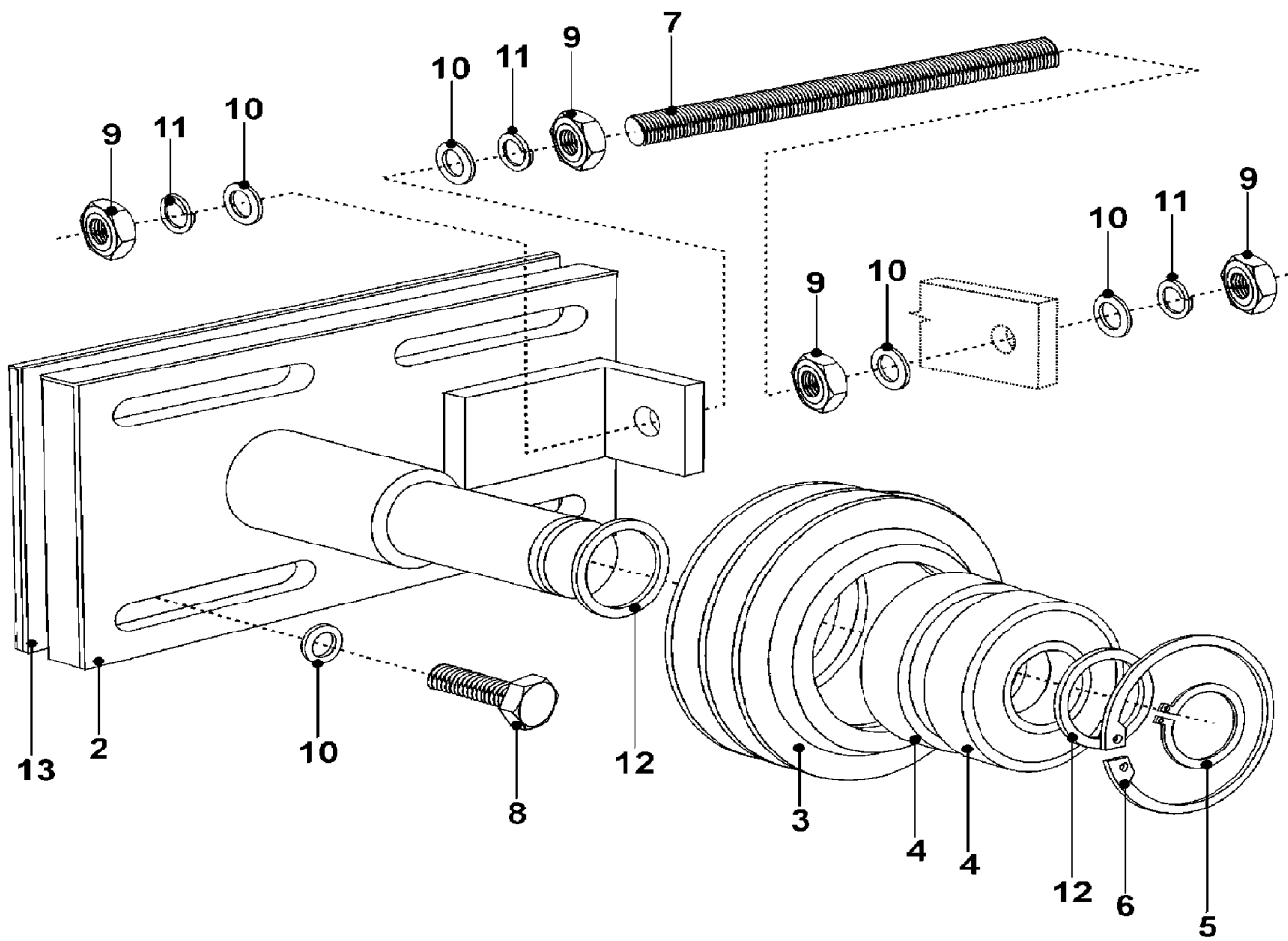
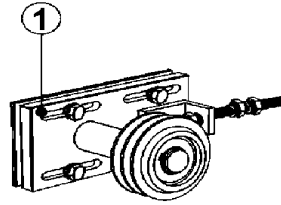
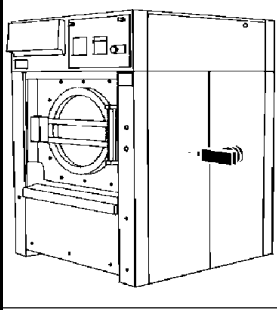
Section: MOTOR AND BASKET PULLEY

No.	Part No.	Description	Series	Qty
1	23003083	PLATE, DRIVE (COMPLETE)	10	1
2	23003084	MOTOR, WASH (208-240V, 60HZ)	10	1
3	23003085	MOTOR, SPIN (208-240V, 60HZ)LU	10	1
4	23003086	V-PULLEY, WASH MOTOR	10	1
5	23003087	V-PULLEY, SPIN MOTOR	10	1
6	23001658	SCREW (M6X10)	10	1
7	23003093	V-BELT	10	3
10 N	23003088	WASHER	10	1
11 N	23003089	HOLDER, WASHING MOTOR	10	1
12	23003090	BRIDGE	10	1
15	23002505	PLATE, EARTH	10	1
16	23002661	SCREW (M12 X 35)	10	1
20	23002648	SCREW (M10 X 20)	10	1
21 N	23003064	SCREW (M8X80)	10	1
22	23002434	SCREW (M8 X 30)	10	1
23	23001733	SCREW (M6X10)	10	1
25 N	23003091	NUT (M12)	10	1
27	23002435	NUT (M8)	10	1
28	23002657	WASHER (13)	10	1
29	23002655	WASHER (10/5)	10	1
30	23002653	WASHER (8/6)	10	1
31	23002282	WASHER (6)	10	1
32	23002658	WASHER (12)	10	1
33	23002654	WASHER (10)	10	1
34	23002439	WASHER, SPRING LOCK (8)	10	1
35	23002440	WASHER, SPRING LOCK (6)	10	1
36	23003854	V-BELT (60 HZ) LU	10	2
37 N	23002288	SHIELD, MOTOR	10	1

*Color Code (-)=Not Shown #=Series, Serial Prefix or Run No., N=Not Available

Section: IDLER PULLEY

Model: MFS50PNDVS



15-Dec-00
508629

CW21-164

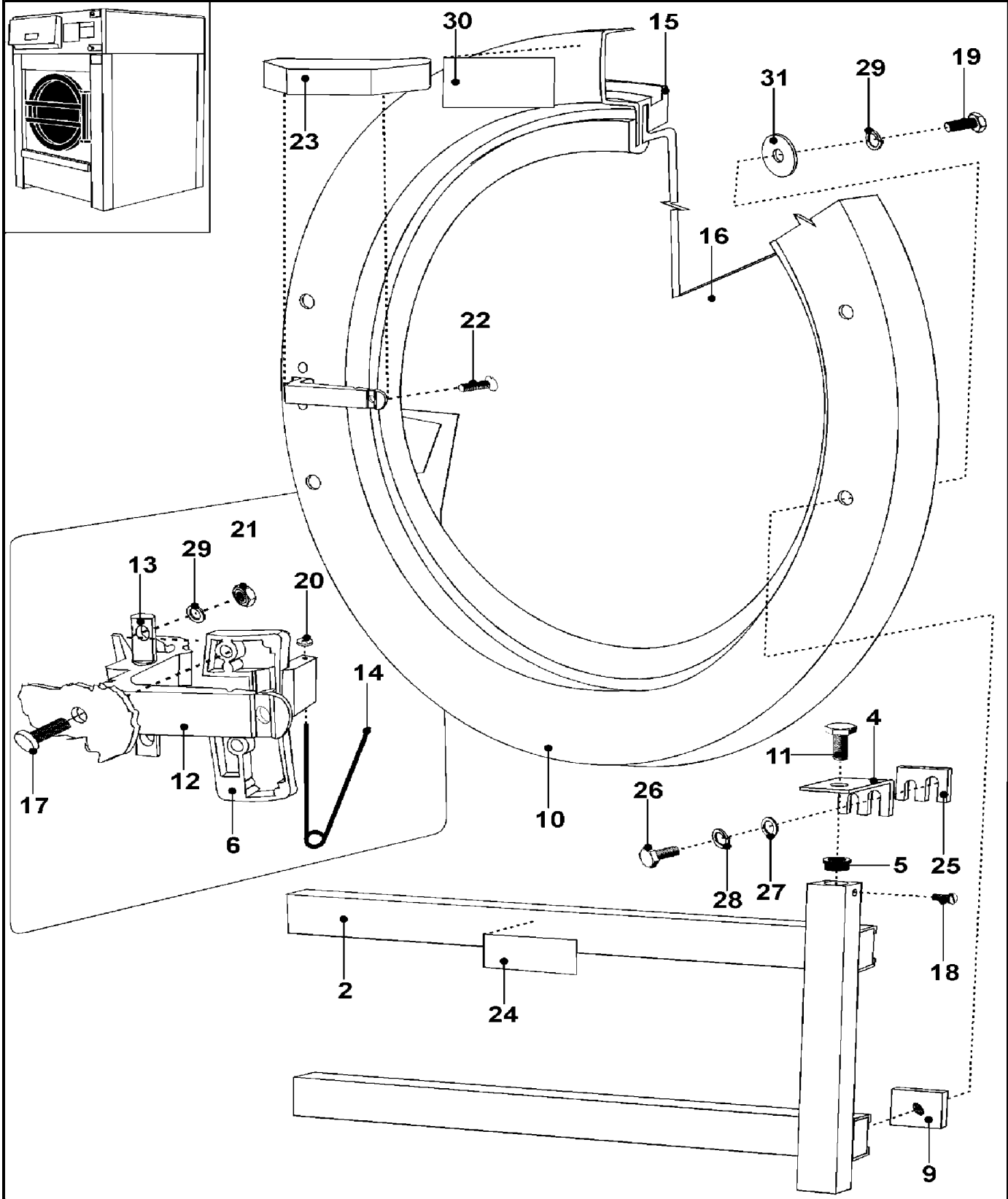
Section: IDLER PULLEY

No.	Part No.	Description	Series	Qty
1	23003225	ROLLER, TENSION (COMPLETE)	10	1
2	23002663	TENSION ROLLER	10	1
3	23003226	ROLLER	10	1
4	23002665	BEARING 6305-2RS1/C3	10	2
5	23003855	RING, RETAINING 25	10	1
6	23003856	RING, RETAINING 62	10	1
7	23002248	BOLT, TUB FRONT ADJUSTING	10	1
8	N 23002669	SCREW (M12 X 30)	10	4
9	N 23003670	NUT (M12)	10	4
10	23002657	WASHER (13)	10	8
11	23002658	WASHER (12)	10	4
12	N 23003227	WASHER	10	1
13	23003857	PLATE	10	1

*Color Code (-)=Not Shown #=Series, Serial Prefix or Run No., N=Not Available

Section: DOOR

Model: MFS50PNDVS



CW10-64

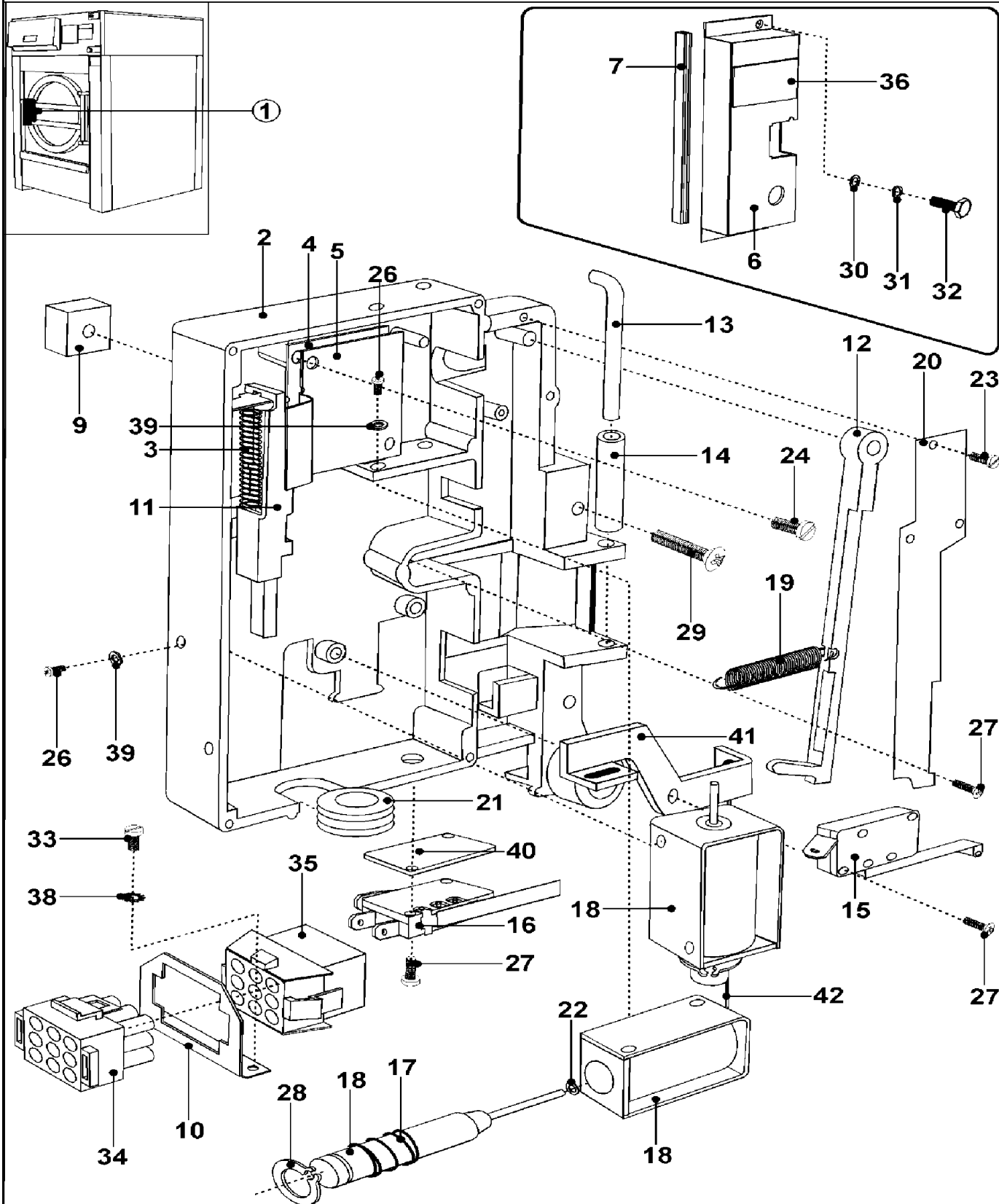
Section: DOOR

No.	Part No.	Description	Series	Qty
2	23003094	DOORHOLDER	10	1
4	23003095	HINGE	10	2
5	23003096	PIECE, INSERTION	10	2
6	23003097	PLATE, HINGE	10	2
9 N	23003098	NUT, DOORHOLDER	10	2
10	23002261	RING, DOOR	10	1
11	23002266	BOLT (M10)	10	1
12	23003858	HANDLE	10	1
13	23003100	PIN	10	2
14	23003101	SPRING	10	2
15	23003859	DOORSEAL	10	1
16	23003103	GLASS	10	1
17	23001175	SCREW (M6X20 STAINLESS STEELLU	10	1
18	23001621	SCREW (M4X12) LU	10	1
19	23002279	BOLT (M6X20)	10	1
20	23002499	WASHER	10	1
21	23002280	NUT (M6)	10	1
22	23003793	BOLT M4X12	10	1
23	23003860	PLATE, HANDLE ORNAMENTAL	10	1
24	23001468	STICKER, SPIN DIRECTION	10	1
25 N	23003104	WASHER, HINGE	10	1
26	23002723	SCREW (M8 X 22)	10	1
27	23001608	WASHER (M8) LU	10	1
28	23002727	WASHER (8) LU	10	1
29	23002130	WASHER (6)	10	1
30	23002297	LABEL, HEATWARNING	10	1
31	23002265	WASHER	10	1

*Color Code (-)=Not Shown #=Series, Serial Prefix or Run No., N=Not Available

Section: DOOR LOCK

Model: MFS50PNDVS



CW10-65

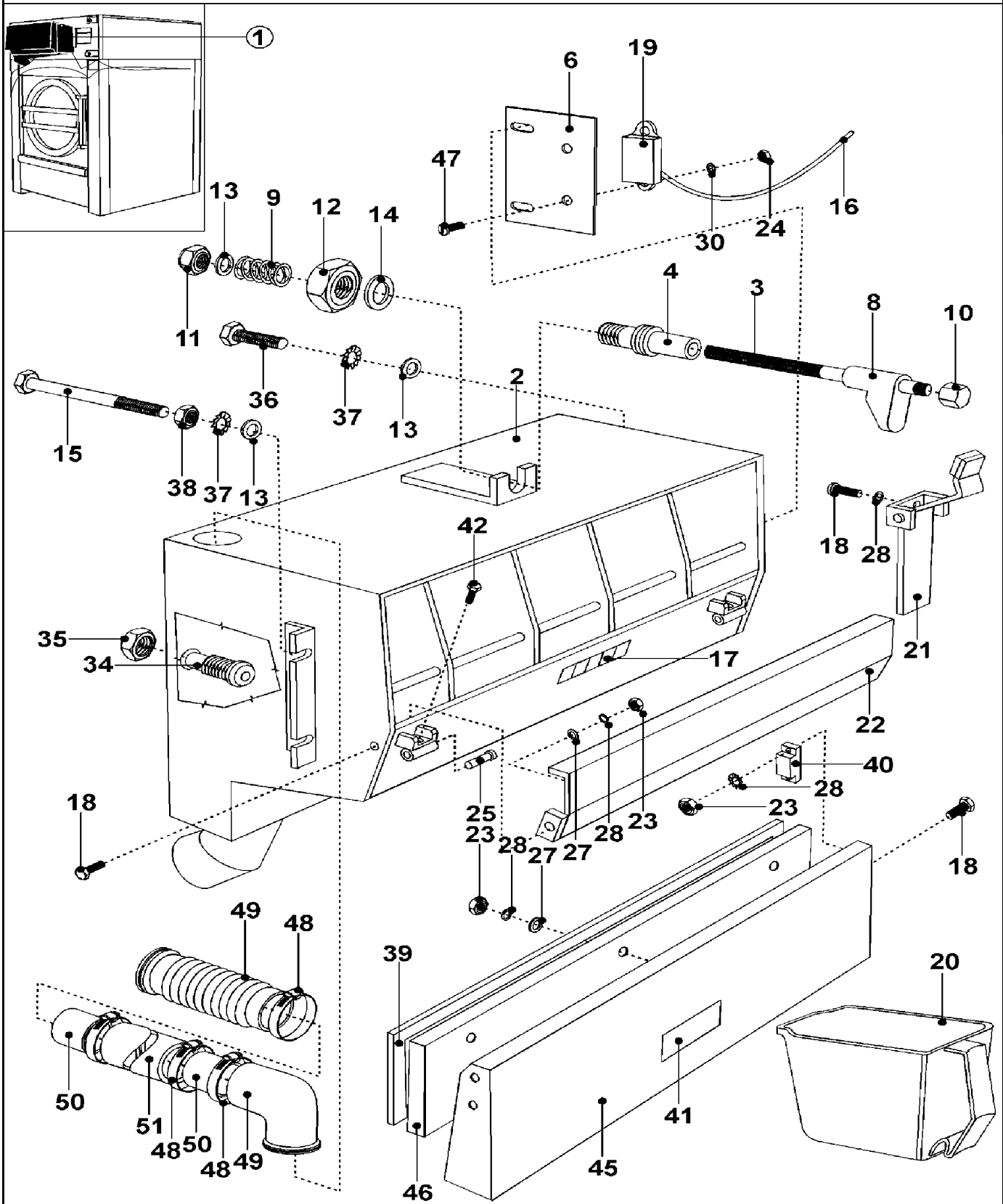
Section: DOOR LOCK

No.	Part No.	Description	Series	Qty
1	23003861	DOORLOCK, COMPLETE	10	1
2	Y23002898	GROUND, PLATE LOCK	10	1
3	23003106	SPRING, DOORLOCK	10	1
4	23003107	PLATE, DECOUPLING	10	1
5	23003108	PLATE, DECOUPLING	10	1
6	23003864	COVER, LOCKING DEVICE	10	1
7	23002473	RUBBER, PROTECTIVE	10	1
9	23003110	WASHER	10	1
10	23003111	HOLDER, CONNECTOR	10	1
11	23001140	BAR, LOCKING	10	1
12	23002899	HANDLE, LOCKING PART	10	1
13	23001142	RETAINER, LOCK TUBE (DIA.4X45)	10	1
14	23001143	LOCK TUBE (DIA. 4X23.5 STNLS)	10	1
15	23003112	MICROSWITCH	10	1
16	23001145	MICROSWITCH, LONG LEVER	10	1
17	23002903	SPRING, LOCKING PART	10	1
18	23001146	COIL (240V)	10	1
19	23002900	SPRING, LOCKING PART	10	1
20	23001149	LEAF SPRING, LATCH BAR	10	1
21	23001138	BUSHING, CABLE PASSAGE	10	1
22	23001136	WASHER (DIA. 5.1 X 3.3 X 0.1)	10	1
23	23003113	SCREW (M3X6)	10	1
24	23003114	SCREW (M4X8) LU	10	1
26	23002869	SCREW (M3X6)	10	1
27	23003115	SCREW (M3X14)	10	1
28	23001137	RING, RETAINING (G10)	10	1
29	23003116	SCREW (M5X30)	10	1
30	23002424	WASHER	10	1
31	23002130	WASHER (6)	10	1
32	23002422	SCREW (M6 X 12)	10	1
33	23001704	SCREW (M5X10)	10	1
34	23003117	BOARD, TERMINAL (9-POLE)	10	1
35	23001722	BOARD, TERMINAL (AMP 9 POLES)	10	1
36 N	23003118	LABEL, WARNING	10	1
38	23002465	WASHER, LOCK	10	1
39	23003862	WASHER, M3	10	1
40	23003863	PLATE, MICROSWITCH	10	1
41	23001153	LEVER, EMERGENCY OPENING	10	1
42	23002901	CORD, OPENING	10	1

*Color Code (-)=Not Shown #=Series, Serial Prefix or Run No., N=Not Available

Section: SOAP BOX

Model: MFS50PNDVS



CW16-25

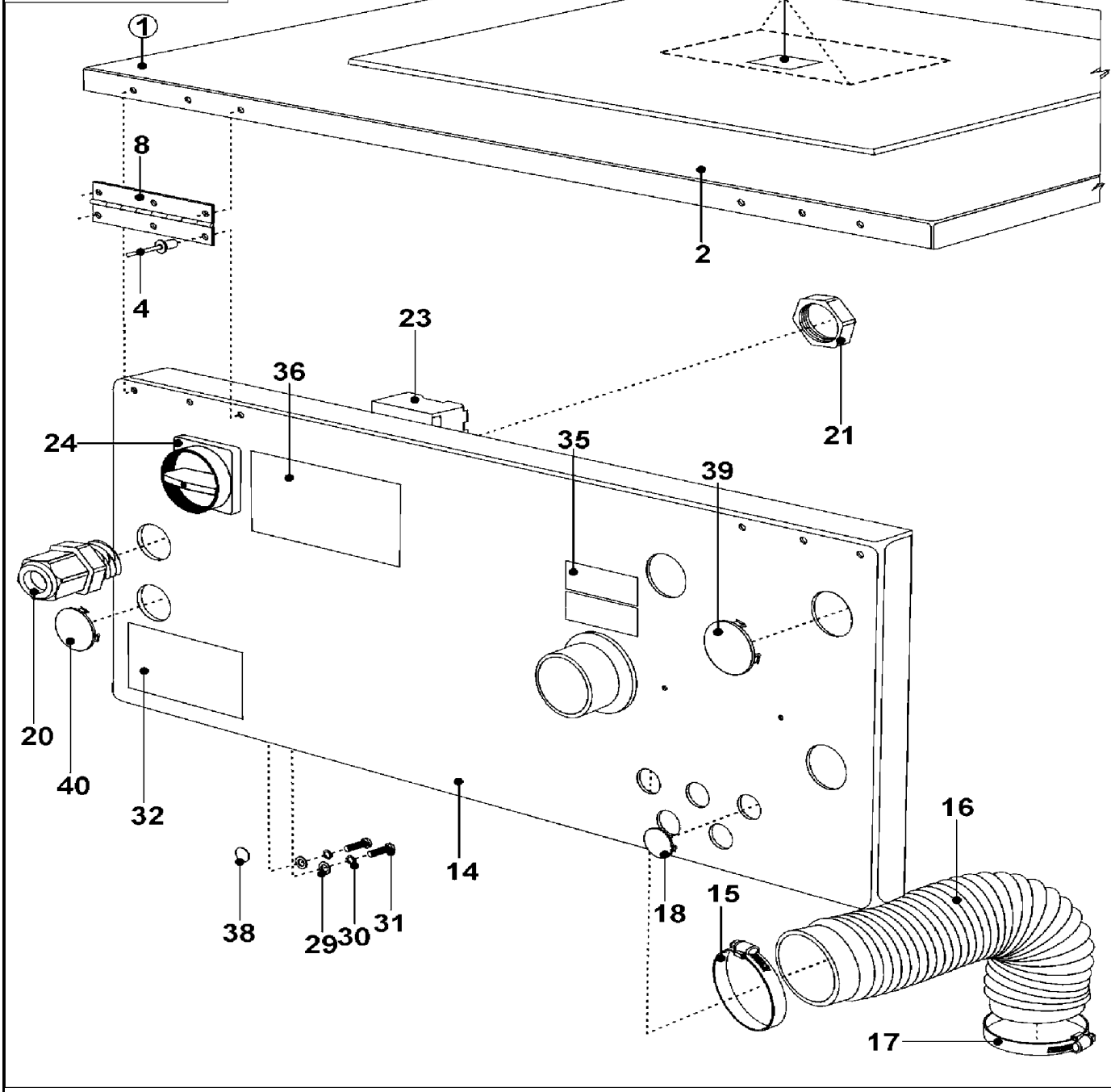
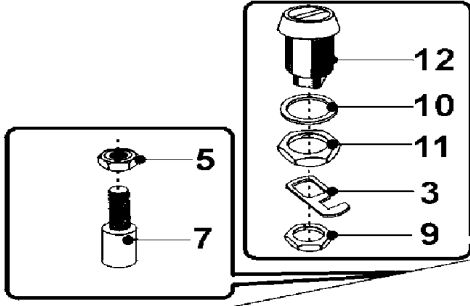
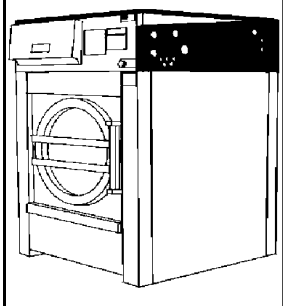
Section: SOAP BOX

No.	Part No.	Description	Series	Qty
1	23003119	SOAP BOX (COMPLETE)	10	1
2	23003120	BOX, SOAP	10	1
3	23002748	SCREW	10	1
4	23002747	PIN	10	1
6	23003121	HOLDER	10	1
8	23003865	LEVER, SAFETY	10	1
9	23002010	SPRING	10	1
10	N 23002392	NUT (M6)	10	1
11	23002471	NUT	10	1
12	N 23002659	NUT (M12)	10	1
13	23002282	WASHER (6)	10	1
14	23002658	WASHER (12)	10	1
15	N 23003122	BOLT, COMPLETE	10	1
16	23002742	TUBE, INSULATION	10	1
17	N 23003123	LABEL, SOAP BOX	10	1
18	23001682	SCREW (M4X6)	10	1
19	23001566	SWITCH, MAGNETIC	10	1
20	23002135	CUP, SOAP BOX	10	1
21	N 23002732	OVERSEAL	10	1
22	23002737	COVER	10	1
23	23002652	NUT (QTY OF 4 = 1 PIECE)	10	1
24	23002500	WASHER, LOCK	10	1
25	23002736	PIN, DOOR	10	1
27	23002129	WASHER (M4)	10	1
28	N 23003125	WASHER	10	1
30	23003866	WASHER 3	10	1
34	23002738	NOZZLE	10	1
35	N 23003127	NUT	10	1
36	23002423	SCREW (M4 X 10)	10	1
37	23002400	WASHER	10	1
38	23002651	NUT (M6)	10	1
39	N 23003128	SEALING	10	1
40	23001668	CONTACT, MAGNETIC	10	1
41	23002134	SHIELD ("DO NOT OPEN")	10	1
42	N 23003129	SCREW (M4X6)	10	1
45	23003231	COVER, SOAP BOX (COMPLETE)	10	1
46	23002751	COVER, INSERT	10	1
47	23002717	SCREW (M3 X 6)	10	1
48	23001262	CLAMP, HOSE (20-32)	10	1
49	N 23002743	ELBOW	10	1
50	N 23003131	PART, CONNECTION	10	1
51	23001740	HOSE (19X27)	10	1

*Color Code (-)=Not Shown #=Series, Serial Prefix or Run No., N=Not Available

Section: TOP COVER

Model: MFS50PNDVS



CW13-21

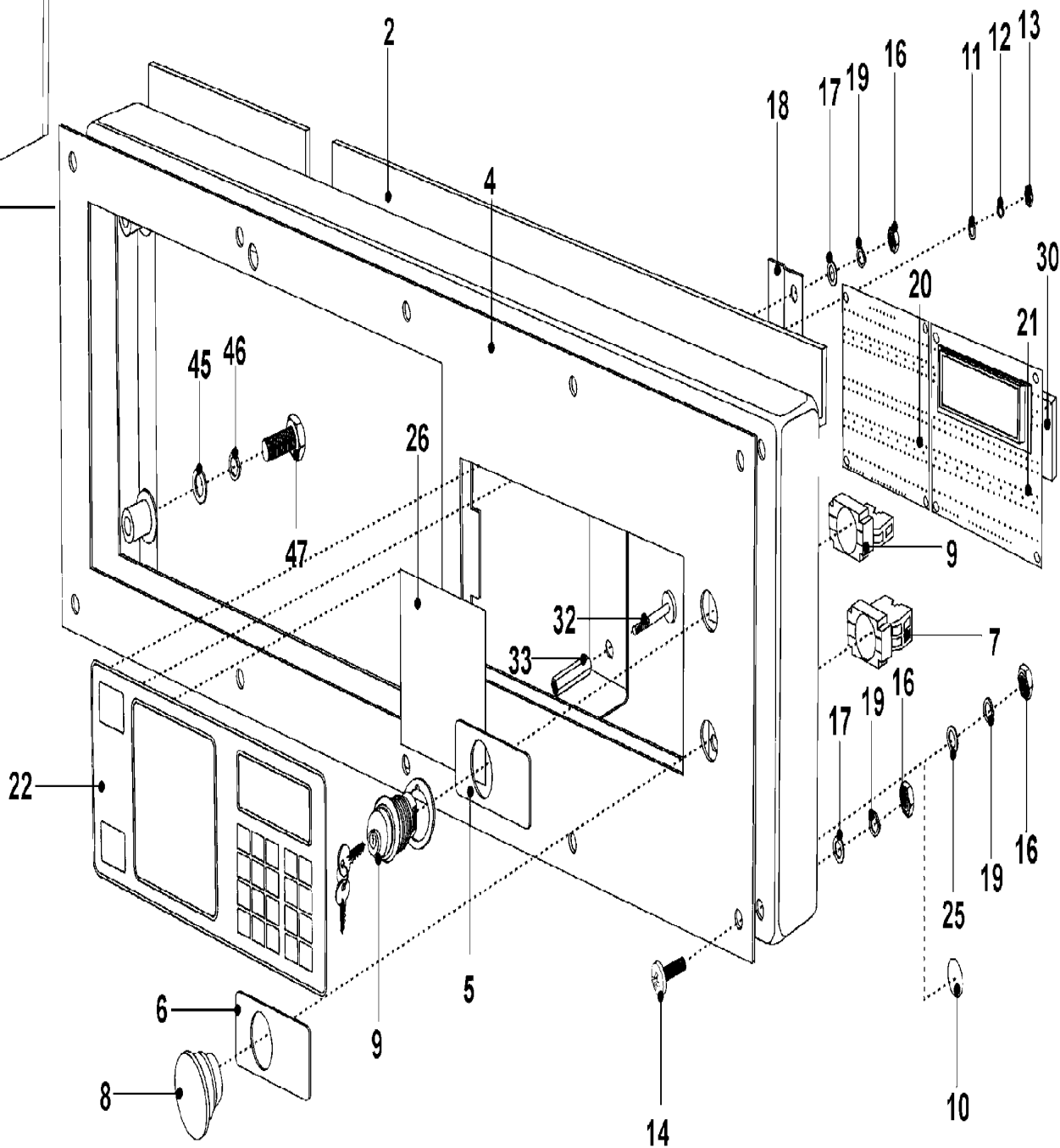
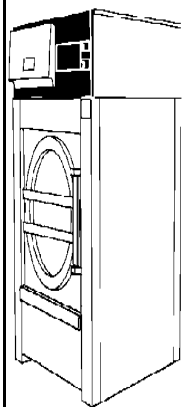
Section: TOP COVER

No.	Part No.	Description	Series	Qty
1	N 23003132	COVER (COMPLETE)	10	1
2	N 23003133	COVER, WASHING MACHINE	10	1
3	23002451	PAWL	10	1
4	N 23002467	RIVET/CRANK (4 X 7.5)	10	1
5	23002399	NUT(M4)	10	8
7	N 23003134	PIN, GUIDING	10	2
8	N 23003135	HINGE, COVER	10	2
9	23001011	NUT	10	1
10	23001007	WASHER, FIBER	10	1
11	23001008	LOCK NUT (LARGE)	10	1
12	23001006	LOCK, TOP PANEL	10	1
14	23003136	VALVES, COVER (COMPLETE)	10	1
15	23001261	CLAMP, HOSE (32-50)	10	1
16	23003042	HOSE, RUBBER	10	1
17	23001256	CLAMP, HOSE (60-80)	10	1
18	N 23002794	PLUG (13)	10	1
20	N 23003137	INLET, STUFFING	10	1
21	23003138	NUT	10	1
23	23003502	SWITCH, MAIN (63A)	10	1
24	23003497	KNOB	10	1
29	23002726	WASHER (6)	10	1
30	23002440	WASHER, SPRING LOCK (6)	10	1
31	23001733	SCREW (M6X10)	10	1
32	23001465	STICKER, ELECTRICITY WARNING	10	1
33	23001550	LABEL, EARTH	10	1
34	N 23003023	LABEL, FLASH	10	1
35	N 23003140	LABEL, VENT OUT	10	1
36	N 23002149	LABEL, WARNING (IMPORT)	10	1
38	23002505	PLATE, EARTH	10	1
39	23002795	PLUG	10	1
40	23002243	PLUG, UNIVERSAL	10	1

*Color Code (-)=Not Shown #=Series, Serial Prefix or Run No., N=Not Available

Section: CONTROL PANEL

Model: MFS50PNDVS



CW14-59

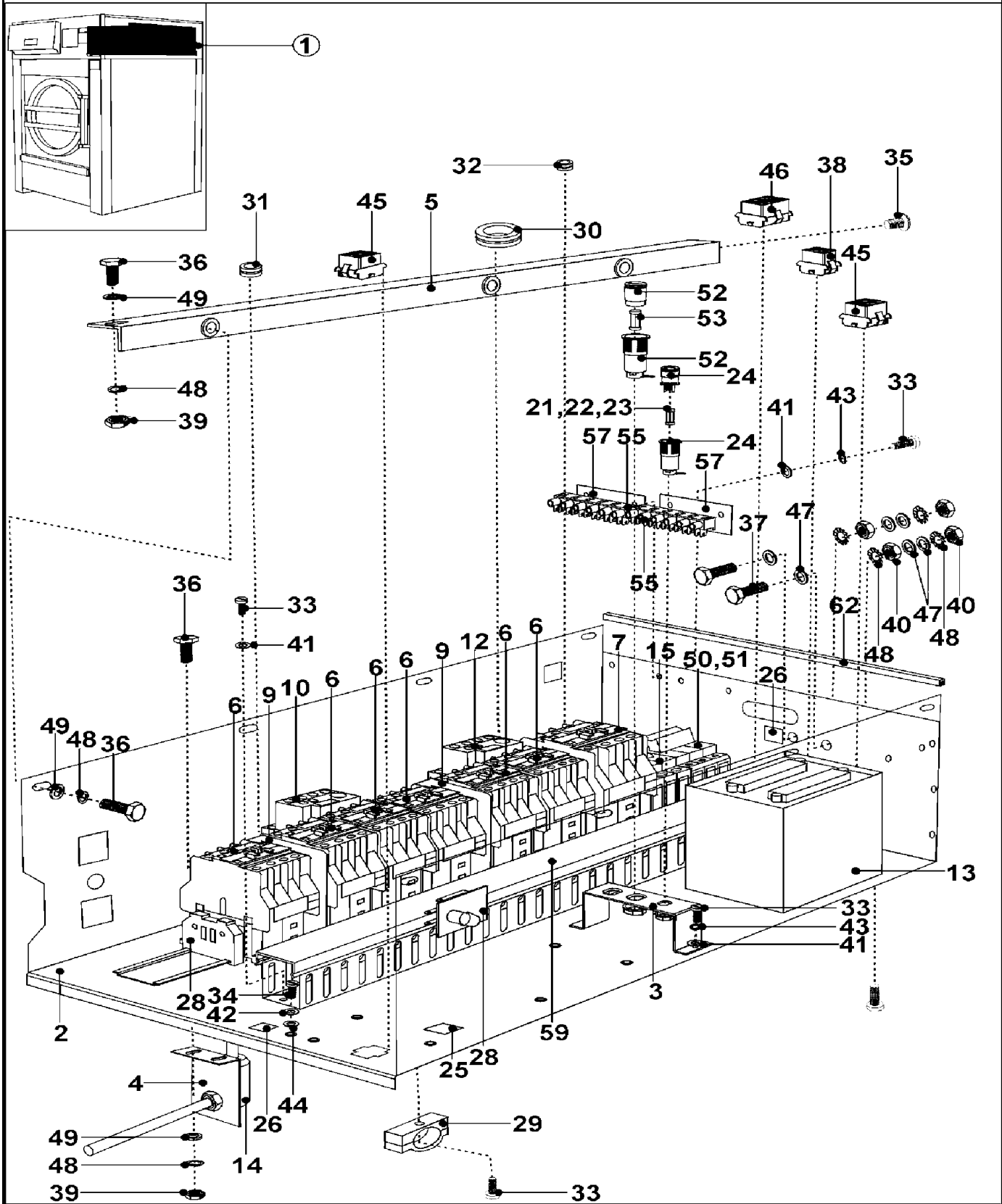
Section: CONTROL PANEL

No.	Part No.	Description	Series	Qty
2	23003867	COVER, PROGRAM(COMPLETE)	10	1
4	23003868	PANEL, FACIA	10	1
5	23003869	LABEL, RUN	10	1
6	23003870	LABEL, STOP	10	1
7	23001075	EMERGENCY BLOC (W/LAMP)	10	1
8	23001078	EMERGENCY STOP	10	1
9	23001082	BLOCK, PROGRAMMING KEY	10	1
10	23002505	PLATE, EARTH	10	1
11	23002865	LOCK WASHER (M3)	10	1
12 N	23003126	WASHER	10	1
13	23002958	NUT (M3)	10	1
14	23002721	SCREW (M4 X 12)	10	1
16	23003666	NUT (M4)	10	1
17	23002438	WASHER (M6)	10	1
18	23003871	BRACKET, Z	10	1
19	23002400	WASHER	10	1
20	23003819	POWER BOARD	10	1
21	23003820	MICROPROCESSOR CONTROL(MCB40LU	10	1
22	23003821	KEYBOARD	10	1
25	23002129	WASHER (M4)	10	1
26 N	23003145	LABEL, PROGRAM	10	1
30	23003822	MICROPROCESSOR CHIP(MCB40)	10	1
32	23003872	SCREW, THUMB	10	1
33	23003873	SLEEVE	10	1
45	23003774	WASHER 12	10	1
46	23002440	WASHER, SPRING LOCK (6)	10	1
47	23002649	SCREW (M6 X 10)	10	1

*Color Code (-)=Not Shown #=Series, Serial Prefix or Run No., N=Not Available

Section: ELECTRICAL COMPONENTS

Model: MFS50PNDVS



CW21-165

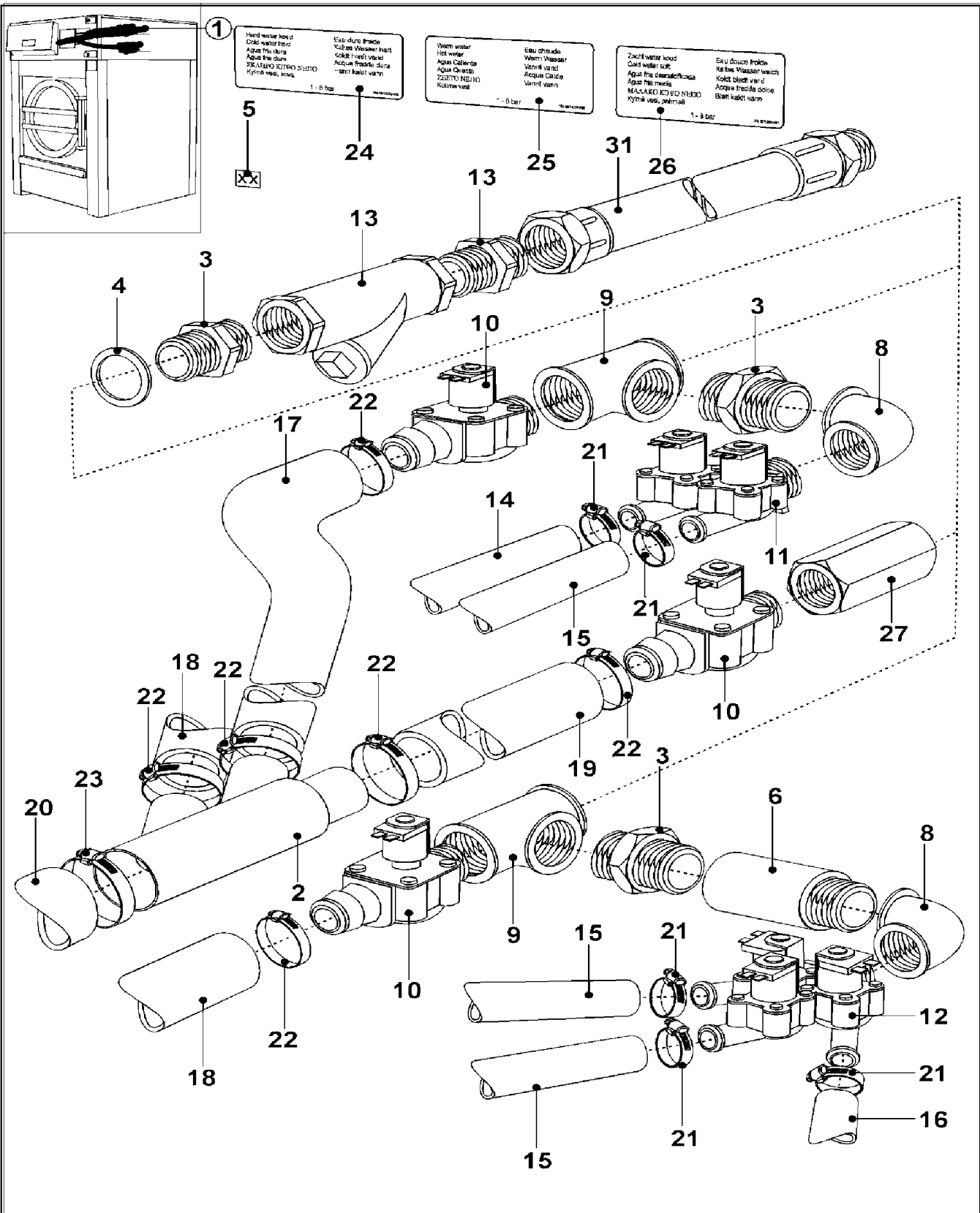
Section: ELECTRICAL COMPONENTS

No.	Part No.	Description	Series	Qty
1	23003150	SWITCHBOARD	10	1
2	23003151	BOARD, SWITCHBOARD(COMPLETE)LU	10	1
3	N 23003152	HOLDER, FUSE	10	1
4	N 23003153	HOLDER, VIBRATION SWITCH	10	1
5	N 23003031	HOLDER (COMPLETE)	10	1
6	23001101	CONTACTOR (LC1-D1201 M7)	10	1
7	23001103	CONTACTOR (LC1-D3201 M7)	10	1
8	23001340	CONTACTOR (LC1-D4011)	10	1
9	23001119	MECHANICAL INTERLOCK, CONTACTO	10	1
10	23001106	RELAY, THERMAL OVERLOAD (4-6A)	10	1
12	23001105	RELAY, THERMAL OVERLOAD (9-13A)	10	1
13	23003708	TRANSFORMER (250VA)CONTROL BRD	10	1
14	23002775	SWITCH, VIBRATION	10	1
15	23001717	BREAKER, CIRCUIT	10	1
19	23001094	BRIDGE, RECTIFIER	10	1
20	N 23003154	PARTS, CONTACT	10	1
21	23002918	FUSE (1A)	10	1
22	23001463	FUSE (2A)	10	1
23	23002043	FUSE (4A)	10	1
24	23001462	HOLDER, FUSE	10	1
25	23003874	INDEX PLATES	10	1
26	23002505	PLATE, EARTH	10	1
27	23003155	PARTS, CONTACTOR	10	1
28	23002110	TERMINAL WAGO	10	1
29	23002428	CLIP, CABLE	10	1
30	23001117	RING, RUBBER (DIA. 25)	10	1
31	N 23002834	PASSAGE, CABLE (13 X 2)	10	1
32	N 23003156	BUSHING, RUBBER	10	1
33	23001609	SCREW (M4X12)	10	1
34	23002650	SCREW (M6 X 12)	10	1
35	N 23003157	SCREW (M6X10)	10	1
36	23002649	SCREW (M6 X 10)	10	1
37	23002806	SCREW (M6 X 25)	10	1
38	23002154	BOARD, TERMINAL (6 POLES)	10	1
39	23002651	NUT (M6)	10	1
40	23001515	NUT (M6)	10	1
41	23001610	WASHER (4.3)	10	1
42	23002129	WASHER (M4)	10	1
43	23002400	WASHER	10	1
44	23002656	WASHER (4/3)	10	1
45	23001722	BOARD, TERMINAL (AMP 9 POLES)	10	1
46	23002798	BOARD,TERMINAL (12 POLE)	10	1
47	23002726	WASHER (6)	10	1
48	23002440	WASHER, SPRING LOCK (6)	10	1
49	23002282	WASHER (6)	10	1
50	23003158	FUSE, DISCONNECTER	10	1
51	23002802	DISCONNECTOR, FUSE (PV10GG32A)	10	1
52	23002210	HOLDER, FUSE	10	1
53	23003385	FUSE 1A 6X32	10	1
54	N 23003160	RIVET	10	1
55	23002154	BOARD, TERMINAL (6 POLES)	10	1
57	23001115	INSULATION PAPER	10	1
58	N 23003161	HOLDER, FUSES	10	1
59	23001551	GUTTER, CABLE (PLASTIC)	10	1
62	23002473	RUBBER, PROTECTIVE	10	1

*Color Code (-)=Not Shown #=Series, Serial Prefix or Run No., N=Not Available

Section: SOAP INJECTION AND ACCESSORIES

Model: MFS50PNDVS



Section: SOAP INJECTION AND ACCESSORIES

No.	Part No.	Description	Series	Qty
1	23003162	SYSTEM, FILLING	10	1
2	23003163	TUBE, CONNECTION	10	1
3	23001482	NIPPLE (3/4" PIPE THREAD)	10	1
4	N 23003164	WASHER	10	1
5	N 23003165	PLATE, INDEX	10	1
6	23001484	EXTENSION, BRASS PIPE THREAD	10	1
8	23001756	ELBOW (3/4")	10	1
9	23001485	TEE, 3/4" PIPE THREAD (BRASS)	10	1
10	23002071	VALVE, INLET (1-WAY 3/4")	10	1
11	23003875	VALVE, 2 WAY	10	1
12	23003876	VALVE 3-WAY	10	1
13	23003166	FILTER (COMPLETE)	10	1
14	23001507	WATERHOSE (GREEN)	10	1
15	23001507	WATERHOSE (GREEN)	10	1
16	23001507	WATERHOSE (GREEN)	10	1
17	23001740	HOSE (19X27)	10	1
18	23001740	HOSE (19X27)	10	1
19	23001740	HOSE (19X27)	10	1
20	23002755	HOSE	10	1
21	23001506	CLAMP, HOSE	10	1
22	23001262	CLAMP, HOSE (20-32)	10	1
23	23001261	CLAMP, HOSE (32-50)	10	1
24	23001471	STICKER, COLD SOFT WATER	10	1
25	23001469	STICKER, HOT WATER	10	1
26	23001470	STICKER, COLD HARD WATER	10	1

*Color Code (-)=Not Shown #=Series, Serial Prefix or Run No., N=Not Available

