

WASHER

Repair Parts List

MODEL NUMBER

MFS100PFVS

When requesting service or ordering parts, always provide the following information:

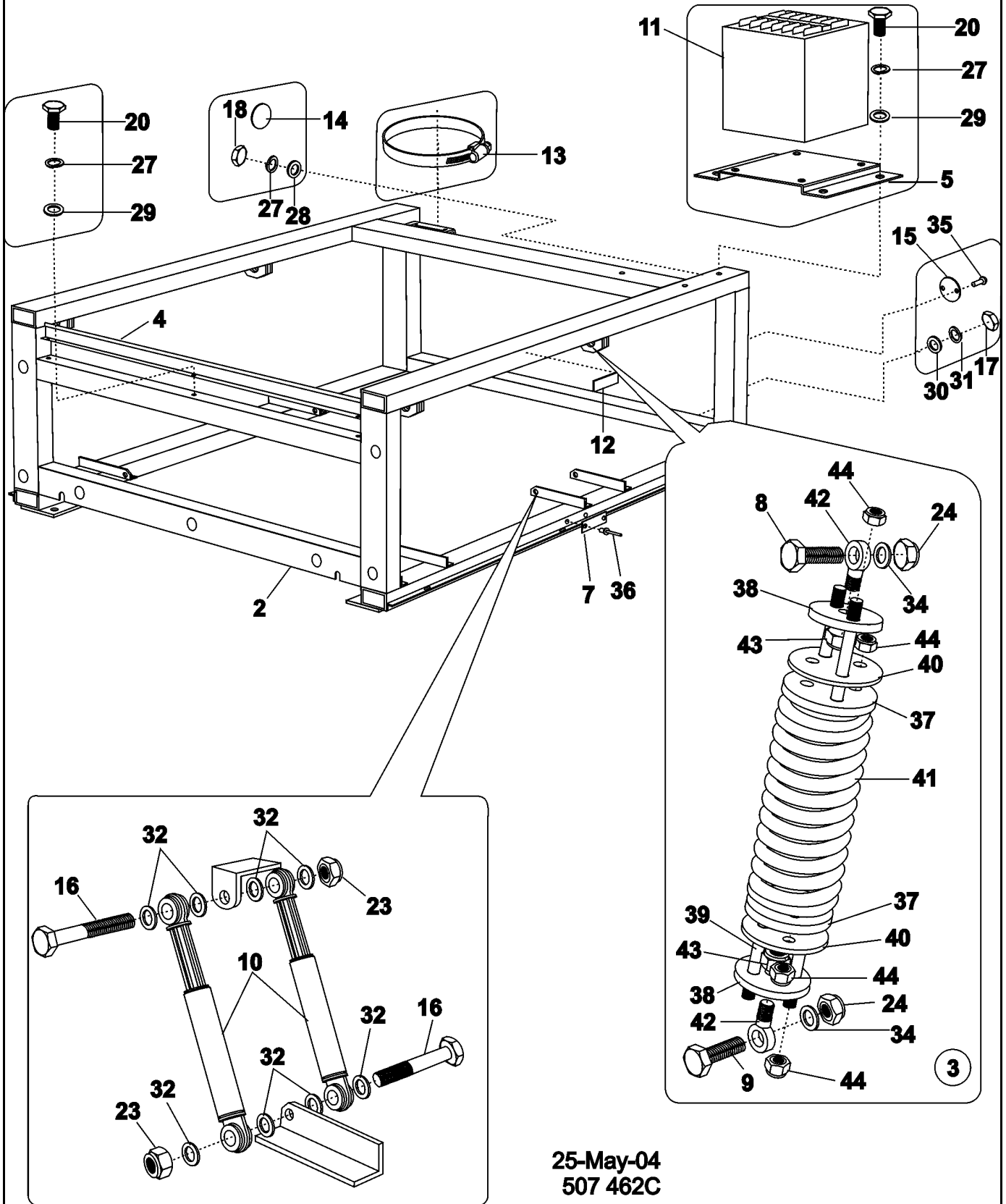
- Product Type
- Part Number
- Model Number
- Part Description

MAYTAG®

©2005 Maytag Services

Section: FRAME

Model: MFS100PFVS



25-May-04
507 462C

CW19-52

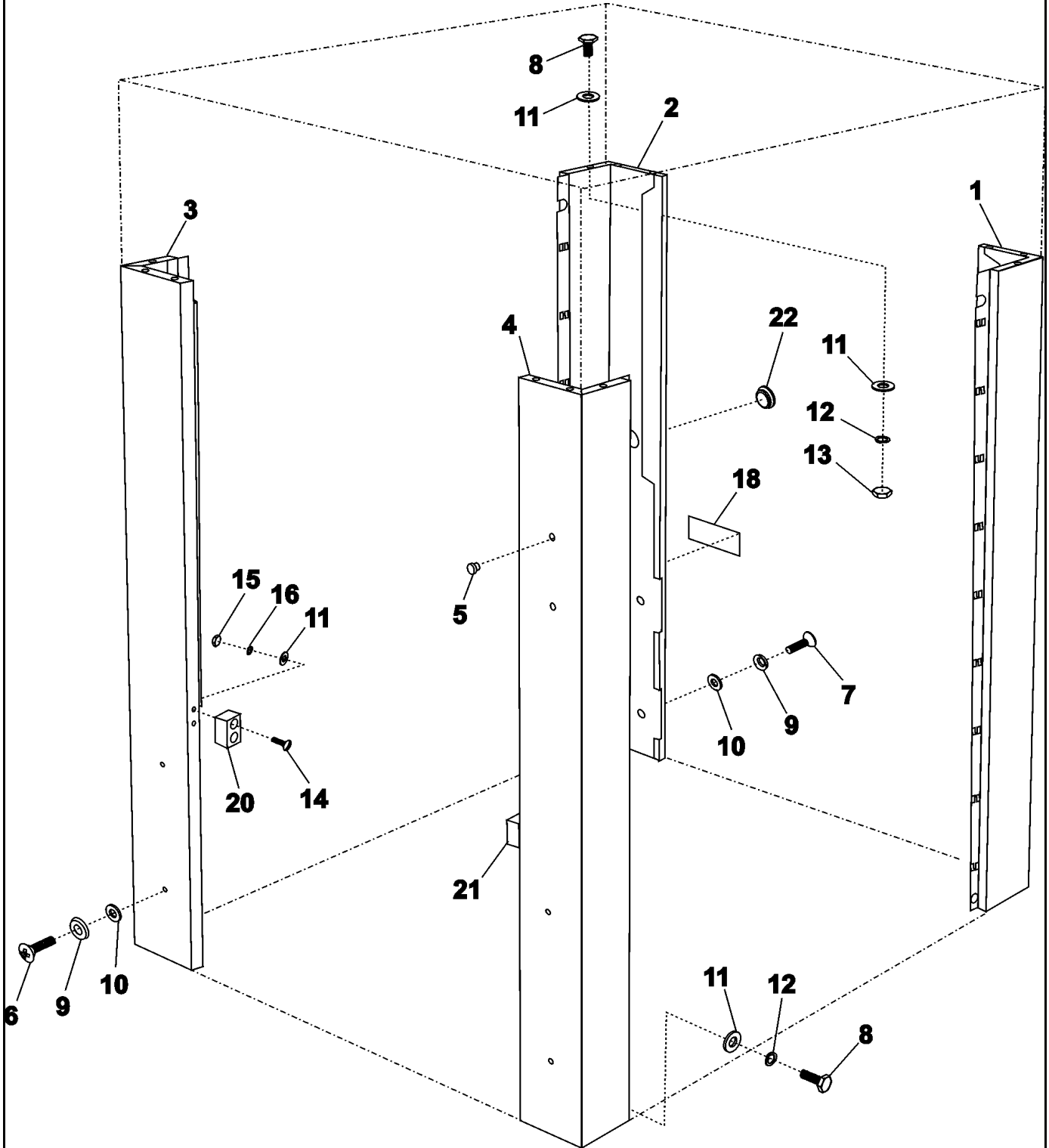
Section: FRAME

No.	Part No.	Description	Series	Qty
2	23002339	FRAME	10	1
3	23002341	SPRING HINGE ASSY.	10	1
4	23003914	FRAME	10	1
5	23002343	HOLDER, TRANSFORMER	10	1
7 N	23002344	PLATE, SMALL	10	1
8 N	23003177	SCREW	10	1
9 N	23002345	SCREW	10	1
10	23002347	DAMPER	10	1
11	23003708	TRANSFORMER (250VA)CONTROL BRD	10	1
12	23001567	SHEET, ANTI-VIBRATION	10	1
13	23001750	RING, CLAMP (40-60)	10	1
14	23002505	PLATE, EARTH	10	1
15 N	23002350	PLATE, INDEX	10	1
16	23002351	SCREW (M10X80)	10	1
17	23002487	NUT (M8)	10	1
18	23002280	NUT (M6)	10	1
20	23002461	SCREW (M6 X16)	10	1
23	23002356	NUT (M10)	10	1
24	23001651	NUT (M16)	10	1
27	23002425	WASHER, LOCK	10	1
28	23002424	WASHER	10	1
29	23003778	WASHER 12	10	1
30	23002427	WASHER, LOCK (M8)	10	1
31	23001608	WASHER (M8) LU	10	1
32	23003788	WASHER	10	1
34	23001735	WASHER (M17)	10	1
35	23003915	NAIL 2x4	10	1
36	23002362	RIVET W/CRANK	10	1
37	23002363	SLEEVE	10	1
38	23002364	DISK	10	1
39 N	23003916	BAR, DRAWING	10	1
40	23002366	PACKING PIECE	10	1
41	23003917	SPRING	10	1
42	23002368	SCREW, EYE	10	1
43	23001651	NUT (M16)	10	1
44	23002356	NUT (M10)	10	1

*Color Code (-)=Not Shown #=Series, Serial Prefix or Run No., N=Not Available

Section: CABINET

Model: MFS100PFVS



05-Feb-02
507 463B

CW12-59

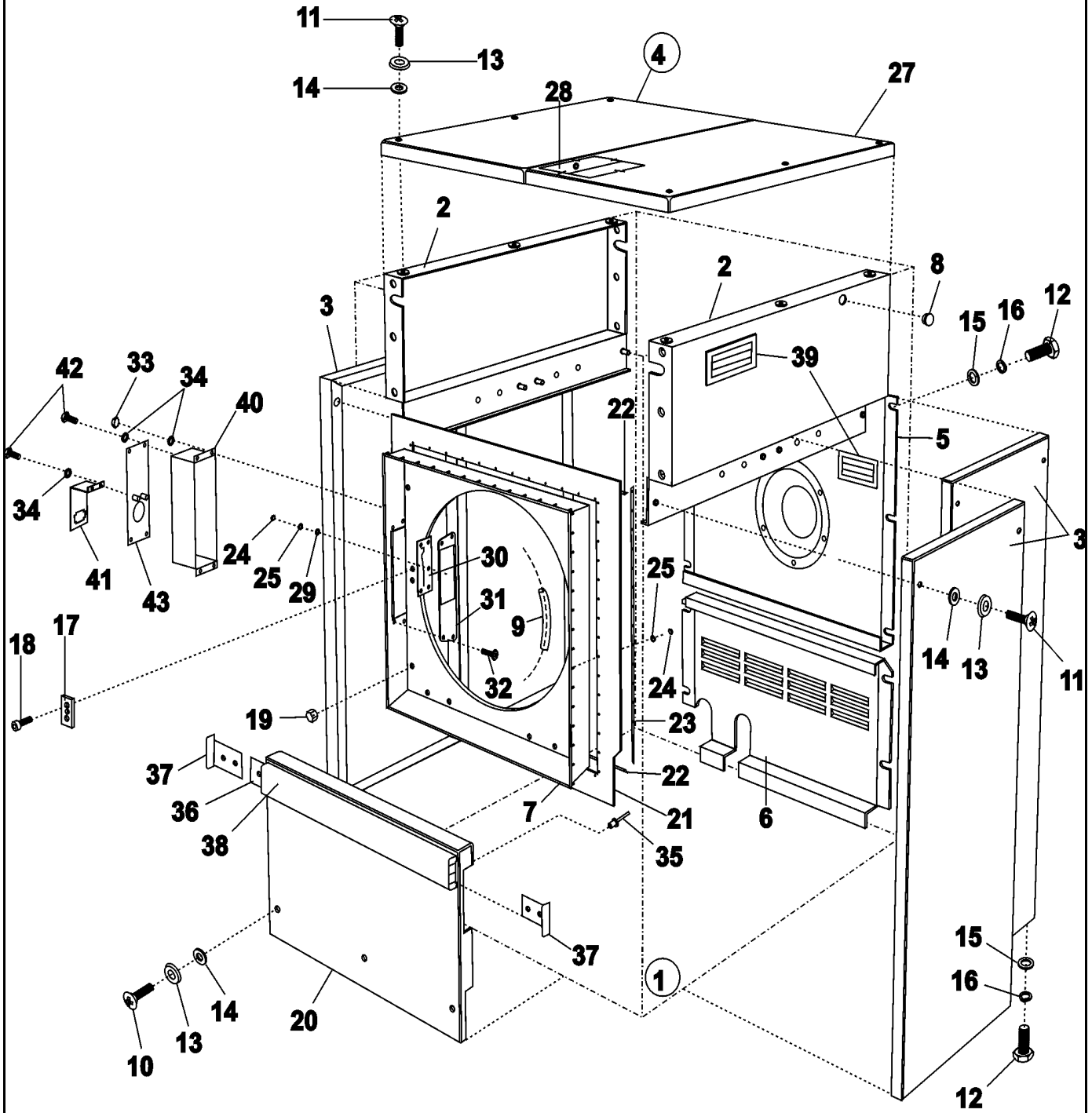
Section: CABINET

No.	Part No.	Description	Series	Qty
1	23002369	COVER, RIGHT-REAR	10	1
2	23002370	COVER, LEFT-REAR	10	1
3	23003918	CVR, FRONT LH CORNER	10	1
4	23003919	CVR, FRONT RH CORNER	10	1
5	23003371	STOP	10	1
6	23002374	SCREW (M6X20)	10	1
7	23002375	SCREW (M6X40)	10	1
8 N	23002376	SCREW (M6X18)	10	1
9	23002457	WASHER	10	1
10	23002458	WASHER (FIBER)	10	1
11	23003778	WASHER 12	10	1
12	23002138	WASHER (10)	10	1
13	23002651	NUT (M6)	10	1
14	23003920	BOLT M6x40	10	1
15	23002470	WASHER	10	1
16	23002440	WASHER, SPRING LOCK (6)	10	1
18	23003921	LABEL, STEAM	10	1
20	23003922	CUBE, LEFT	10	1
21	23003923	CUBE, RIGHT	10	1
22	23001594	BLIND, HEATING ELEMENT	10	1

*Color Code (-)=Not Shown #=Series, Serial Prefix or Run No., N=Not Available

Section: SIDE PANELS

Model: MFS100PFVS



25-Apr-02
507 464C

CW12-60

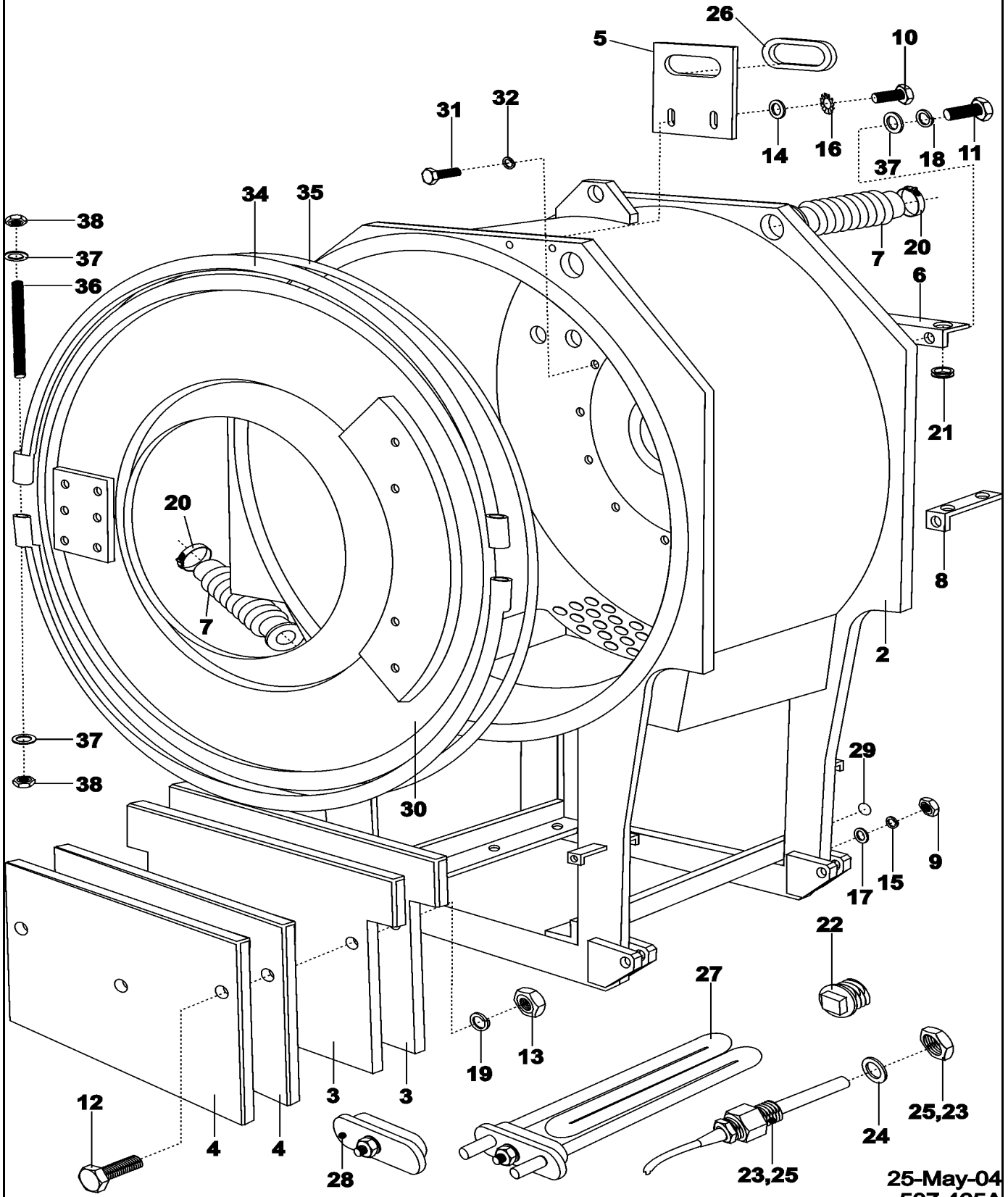
Section: SIDE PANELS

No.	Part No.	Description	Series	Qty
1	23004415	FRONT COVER COMPLETE	10	1
2	23004417	SIDE UPPER COV (100) COMP	10	1
3	23002383	COVER, SIDE-LOWER	10	1
4	23002385	COVER, TOP	10	1
5	23002387	COVER, REAR-UPPER	10	1
6	23002388	COVER, REAR-LOWER	10	1
7	23003924	WELDED FOIL II	10	1
8	23001476	PLUG, WATER INLET	10	1
9	23002473	RUBBER, PROTECTIVE	10	1
10	23002374	SCREW (M6X20)	10	1
11	23002375	SCREW (M6X40)	10	1
12	23001618	SCREW (M6X18)	10	1
13	23002457	WASHER	10	1
14	23002458	WASHER (FIBER)	10	1
15	23002424	WASHER	10	1
16	23002130	WASHER (6)	10	1
17	23002390	BLOCK	10	1
18	N 23002391	SCREW (M8X15)	10	1
19	N 23002392	NUT (M6)	10	1
20	23002393	COVER, FRONT-LOWER	10	1
21	23003968	RUBBER	10	1
22	23003925	PLATE, UPPER	10	1
23	23003926	PLATE, SIDE	10	1
24	23003666	NUT (M4)	10	1
25	23002400	WASHER	10	1
28	23002362	RIVET W/CRANK	10	1
29	N 23002407	WASHER	10	1
30	23003927	COLLAR	10	1
31	23003928	COVER LOCK WELDED	10	1
32	23002722	SCREW (M6 X 12)	10	1
33	23003773	NUT M6	10	1
34	23002440	WASHER, SPRING LOCK (6)	10	1
35	23002408	RIVET W/CRANK	10	1
36	23003929	STRIP, INNER	10	1
37	23002410	BAR, SIDE	10	1
38	23003930	PROFILE	10	1
39	23004419	AIR GRATE	10	1
40	23003931	LOCK, COVER	10	1
41	23003932	HOLDER	10	1
42	23002649	SCREW (M6 X 10)	10	1
43	23003933	COVER	10	1

*Color Code (-)=Not Shown #=Series, Serial Prefix or Run No., N=Not Available

Section: TUB

Model: MFS100PFVS



25-May-04
507 465A

CW17-59

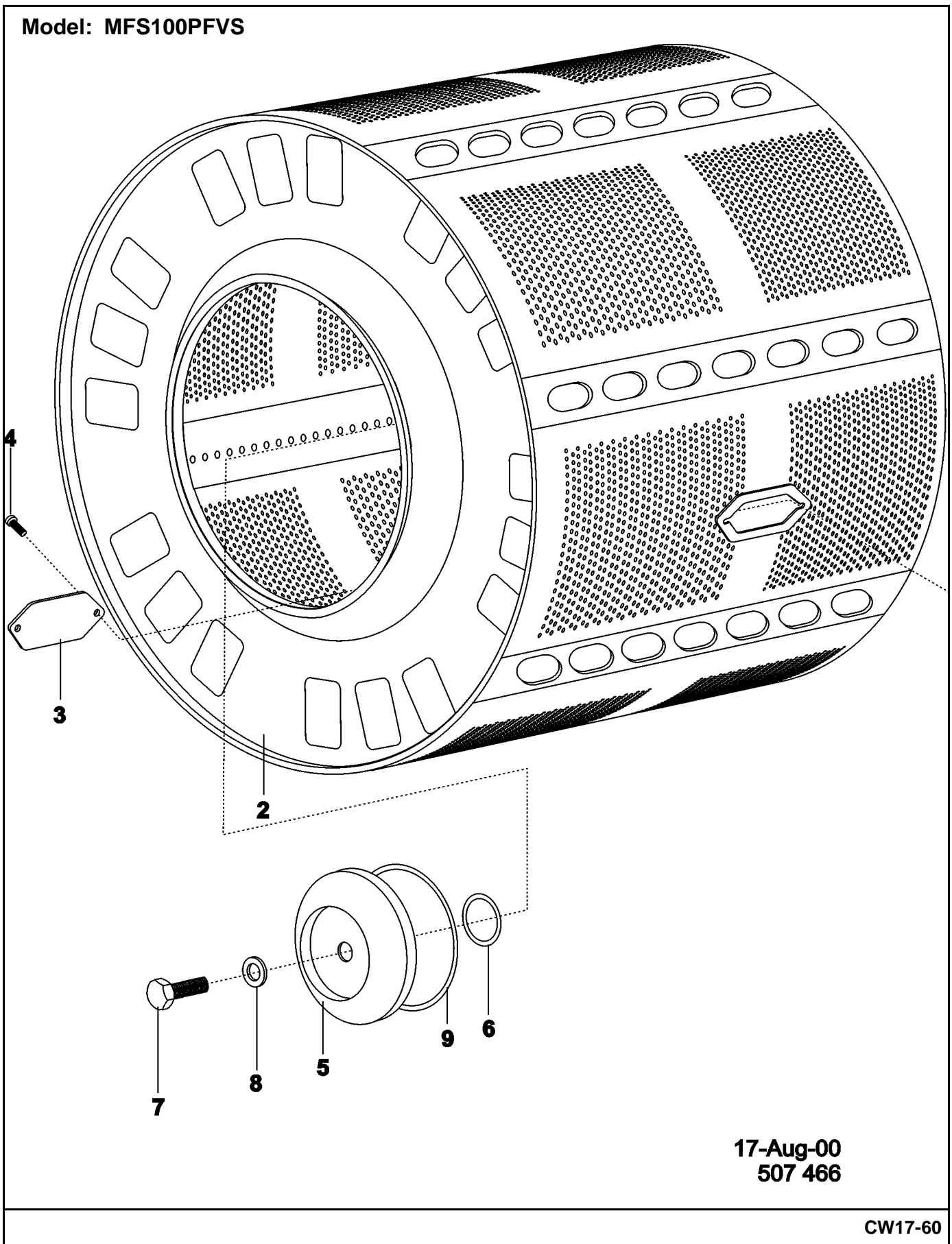
Section: TUB

No.	Part No.	Description	Series	Qty
2	23002412	TUB 100LB	10	1
3	23002414	WEIGHT (LARGE)	10	1
4	23002415	WEIGHT (SMALL)	10	1
5	23002416	LIMITER	10	1
6	23002417	HOLDER	10	1
7	23003934	HOSE, RUBBER	10	1
8	23002418	HOLDER, WIRE	10	1
9	23002280	NUT (M6)	10	1
10	23002461	SCREW (M6 X16)	10	1
11	23002475	BOLT (M8X20)	10	1
12	23002476	SCREW (M20X150)	10	1
13	23003935	NUT M20	10	1
14	23003778	WASHER 12	10	1
15	23002424	WASHER	10	1
16	23002440	WASHER, SPRING LOCK (6)	10	1
17	23002130	WASHER (6)	10	1
18	23002439	WASHER, SPRING LOCK (8)	10	1
19	23002478	WASHER	10	1
20	23001256	CLAMP, HOSE (60-80)	10	1
21	23002479	PASSAGE, CABLE	10	1
22	23002480	PLUG (3/4)	10	1
23	23003807	HOLDER THERMOSTAT SENSOR	10	1
24	23002179	WASHER	10	1
25	23003964	SENSOR, TEMPERATURE	10	1
26	23002473	RUBBER, PROTECTIVE	10	1
27	23002482	ELEMENT, HEAT 100-125LB	10	1
28	23001594	BLIND, HEATING ELEMENT	10	1
29	23002505	PLATE, EARTH	10	1
30	23003936	TUB, FACIA PANEL	10	1
31	23002422	SCREW (M6 X 12)	10	1
32	23002281	WASHER (6-COPPER)	10	1
34 N	23002484	CLIP	10	1
35	23002485	SEALING	10	1
36	23002486	BOLT (M8)	10	1
37	23001608	WASHER (M8) LU	10	1
38	23002487	NUT (M8)	10	1

*Color Code (-)=Not Shown #=Series, Serial Prefix or Run No., N=Not Available

Section: DRUM

Model: MFS100PFVS



17-Aug-00
507 466

CW17-60

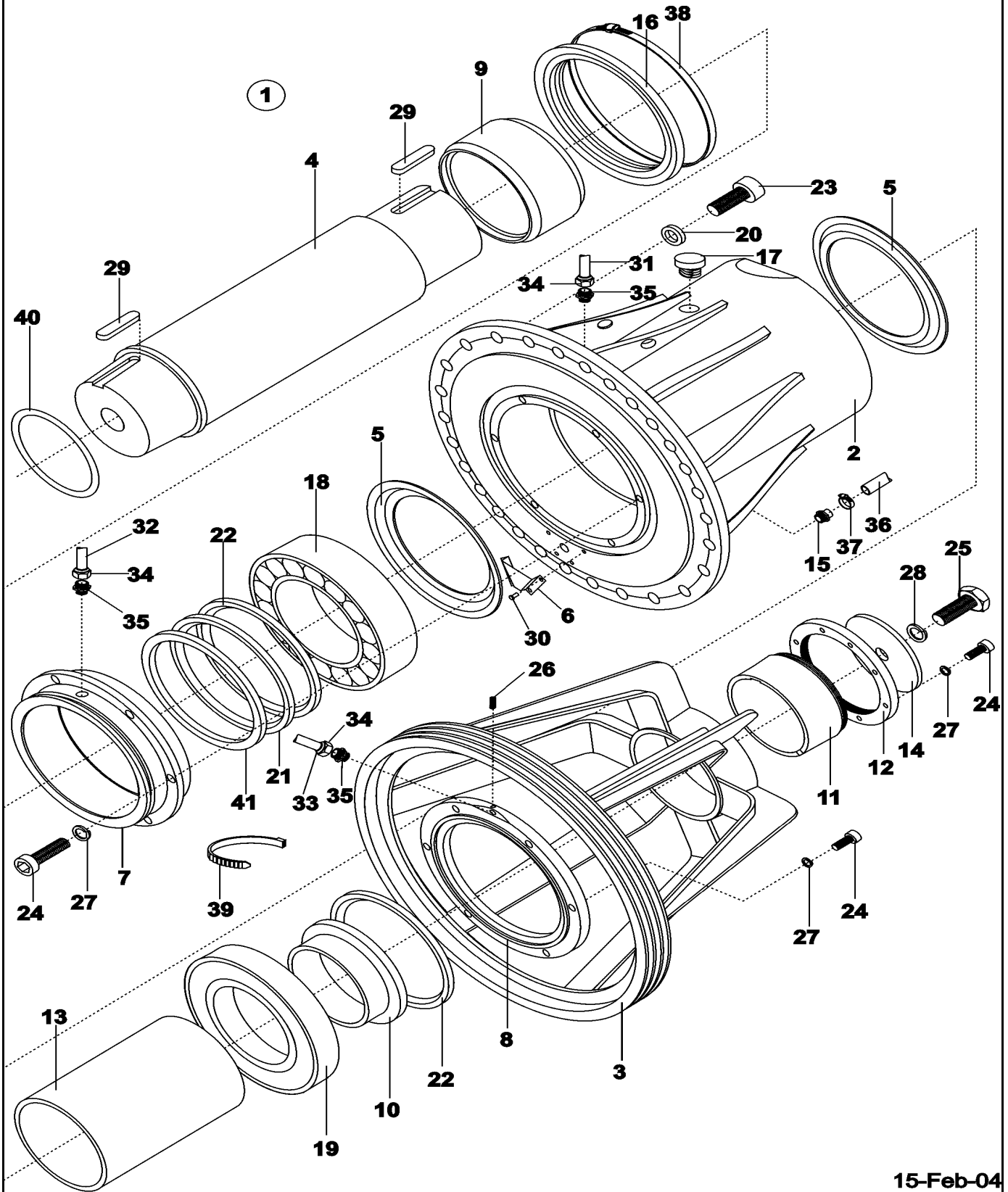
Section: DRUM

No.	Part No.	Description	Series	Qty
2	23002615	WASHING DRUM 100LB	10	1
3	23002259	COVER	10	1
4	23002617	SCREW (M4X8)	10	1
5	23002618	WASHER	10	1
6	23002619	O-RING	10	1
7	23002620	Bolt, 30mmx80mm, SS	10	1
8	23002621	WASHER	10	1
9	23002622	O-RING	10	1

*Color Code (-)=Not Shown #=Series, Serial Prefix or Run No., N=Not Available

Section: TRUNNION 100-125LB

Model: MFS100PFVS



15-Feb-04
507 493A

CW24-13

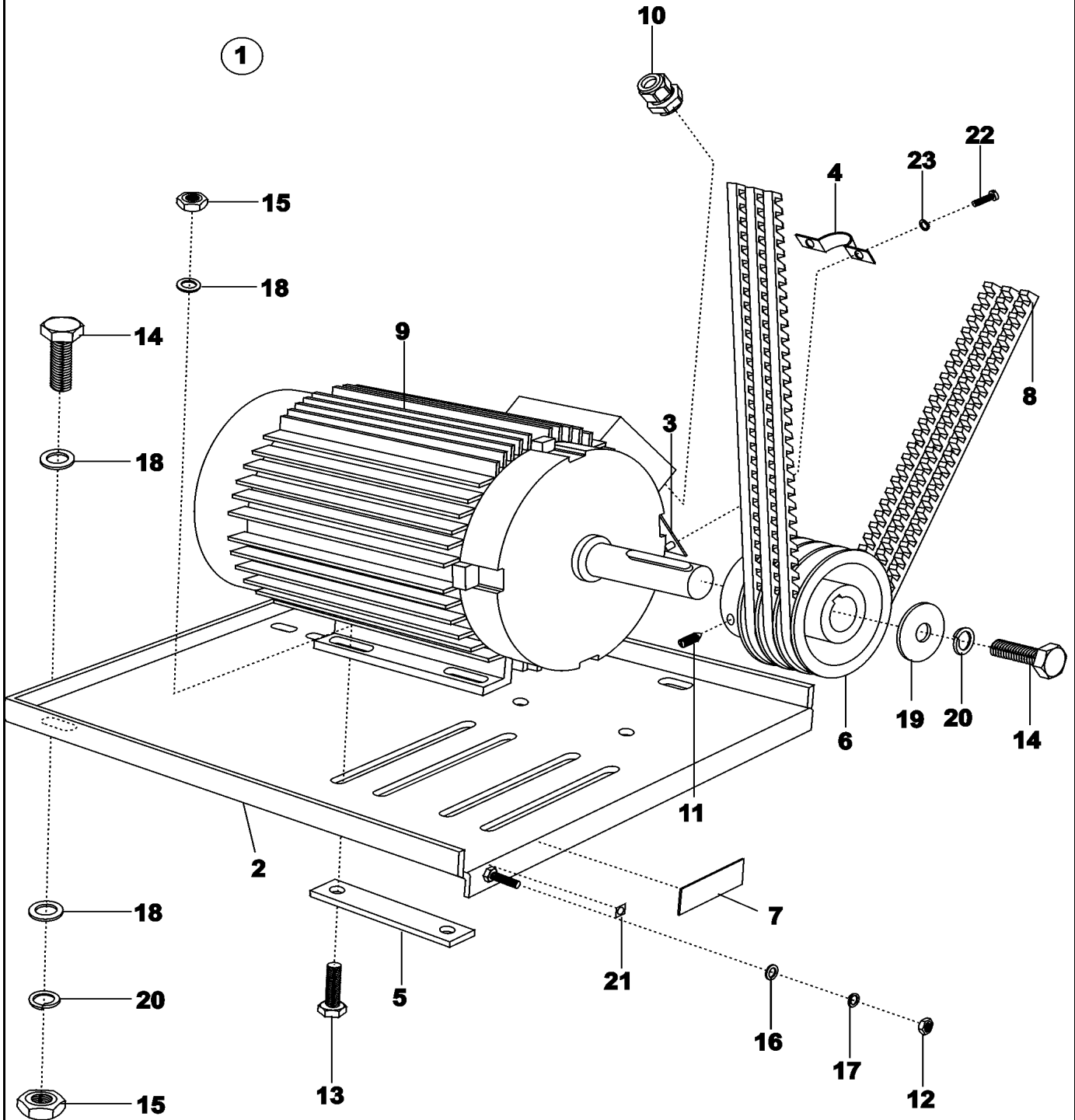
Section: TRUNNION 100-125LB

No.	Part No.	Description	Series	Qty
1	23004423	SERV-COMP BEARING HSG	10	1
2	23003248	HOUSING, BEARING	10	1
-	23004421	SERV-TOOL FOR REPLACING	10	1
3	23003249	PULLEY	10	1
4	23003250	SHAFT	10	1
5	23004424	COVER, SMALL	10	1
6 N	23003251	BOX	10	1
7	23003252	COVER, FRONT	10	1
8	23003253	COVER, REAR	10	1
9	23004425	BUSHING, SHAFT	10	1
10	23003255	BUSHING	10	1
11	23003256	SLEEVE, CLAMPING	10	1
12	23003257	NUT	10	1
13	23003258	TUBE, EXPANDING	10	1
14 N	23003259	WASHER, PULEY	10	1
15 N	23003260	SCREW, WING	10	1
16	23003215	BEARING, HOUSE SEALING	10	1
17	23003081	STOPPER	10	1
18	23003261	BEARING	10	1
19	23003262	BEARING	10	1
20	23003202	WASHER	10	1
21	23003263	SEAL	10	1
22	23003264	SEAL	10	1
23	23003207	SCREW (M20X65)	10	1
24	23002697	SCREW (M12 X 30)	10	1
25	23003266	SCREW (M20X60)	10	1
26	23003267	SCREW (M5X6)	10	1
27	23002658	WASHER (12)	10	1
28	23002478	WASHER	10	1
29	23004426	KEY	10	1
30	23002362	RIVET W/CRANK	10	1
31	23003213	HOSE	10	1
32	23003213	HOSE	10	1
33	23003213	HOSE	10	1
34	23003211	NUT, TRANSFERING	10	1
35	23003212	NECK, CONNECTING	10	1
36	23001741	HOSE (10X14.5)	10	1
37	23001506	CLAMP, HOSE	10	1
38	23003209	CLIP	10	1
39	23001720	BINDER, CABLE	10	1
40	23002485	SEALING	10	1
41	23004427	SEAL	10	1

*Color Code (-)=Not Shown #=Series, Serial Prefix or Run No., N=Not Available

Section: MOTOR

Model: MFS100PFVS



25-May-04
507 469A

CW23-15

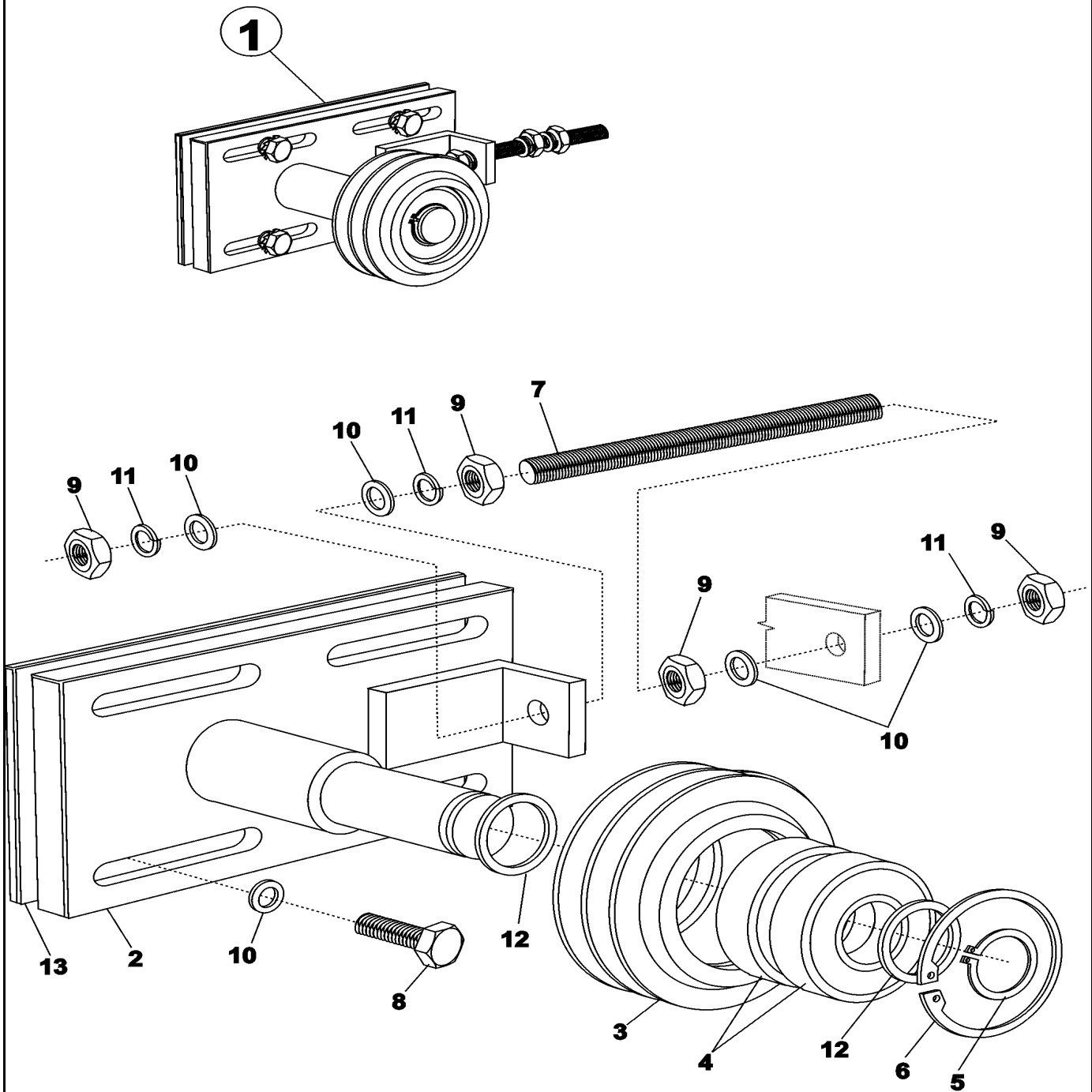
Section: MOTOR

No.	Part No.	Description	Series	Qty
2	23004428	MOTOR BRACKET COMP 100	10	1
3	23004431	CABLE HOLDER COMP 100-125LB	10	1
4	23004021	CABLE SOCKET	10	1
5	23004432	MOTOR WASHER	10	1
6	23004434	MOTOR PULLEY 100-125LB	10	1
8	23004436	MOTOR BELT 100-125LB	10	1
9	23004090	MOTOR 240V 3PHASE	10	1
10	23002211	SWIVEL, CABLE	10	1
11	23001658	SCREW (M6X10)	10	1
12	23002280	NUT (M6)	10	1
13	23004207	BOLT M12 X 50	10	1
14	23002661	SCREW (M12 X 35)	10	1
15	23003676	NUT (M12)	10	1
16	23002424	WASHER	10	1
17	23002425	WASHER, LOCK	10	1
18	23001292	WASHER (13)	10	1
19	23004437	WASHER 14	10	1
20	23002658	WASHER (12)	10	1
21	23002505	PLATE, EARTH	10	1
22	23002423	SCREW (M4 X 10)	10	1
23	23004347	WASHER 4	10	1

*Color Code (-)=Not Shown #=Series, Serial Prefix or Run No., N=Not Available

Section: IDLER

Model: MFS100PFVS



23-Dec-05
507 470A

CW23-16

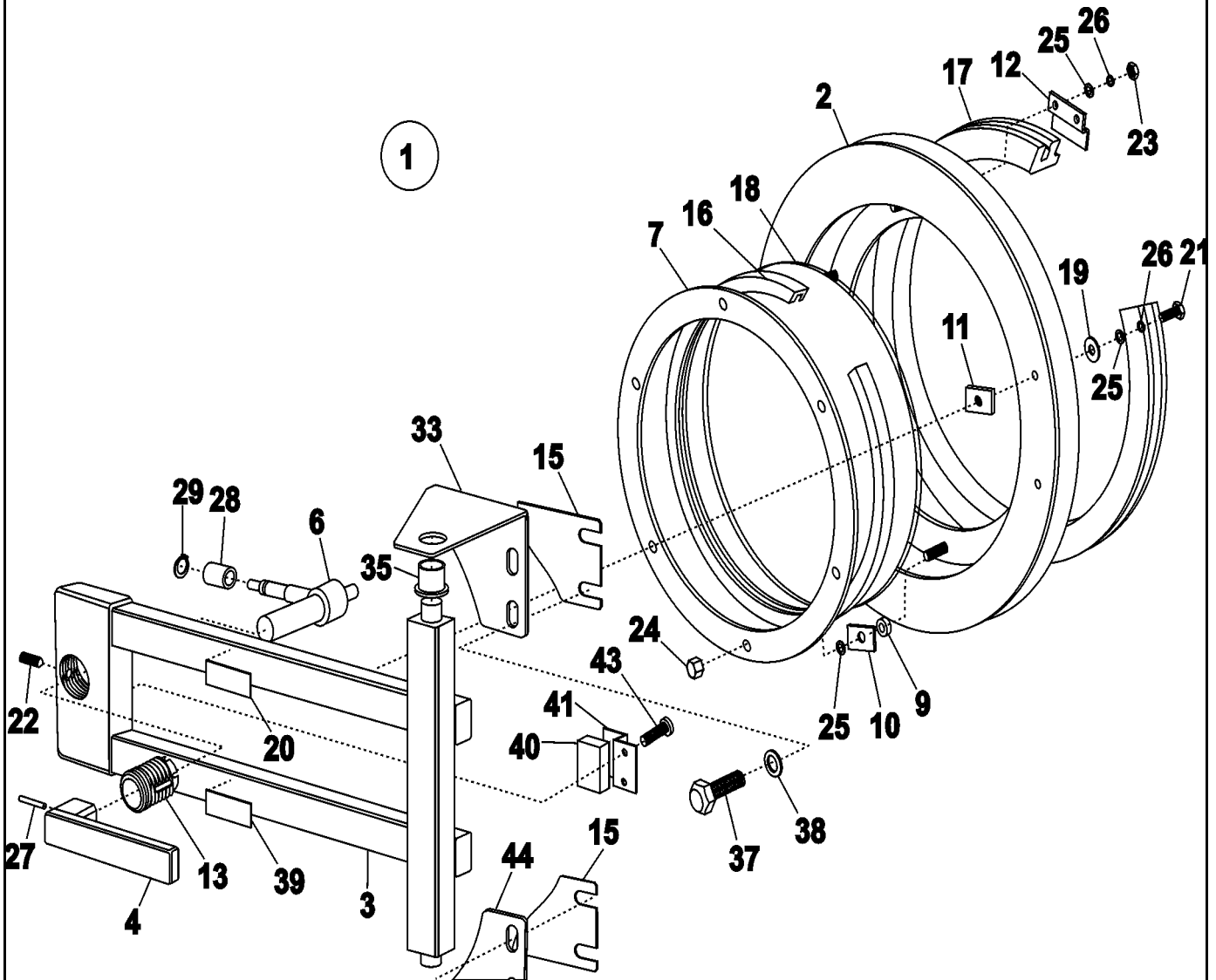
Section: IDLER

No.	Part No.	Description	Series	Qty
1	23002662	TENSION ROLLER ASSEMBLY	10	1
2	23002663	TENSION ROLLER	10	1
3	23002664	ROLLER	10	1
4	23002665	BEARING 6305-2RS1/C3	10	1
5	23003855	RING, RETAINING 25	10	1
6	23003856	RING, RETAINING 62	10	1
7	23004438	ADJUSTING BACKSCREW TUB	10	1
8	N 23002669	SCREW (M12 X 30)	10	1
9	23003676	NUT (M12)	10	1
10	23002657	WASHER (13)	10	1
11	23002658	WASHER (12)	10	1
12	N 23003227	WASHER	10	1

*Color Code (-)=Not Shown #=Series, Serial Prefix or Run No., N=Not Available

Section: DOOR

Model: MFS100PFVS



27-Jan-05
507 471 B

CW10-83

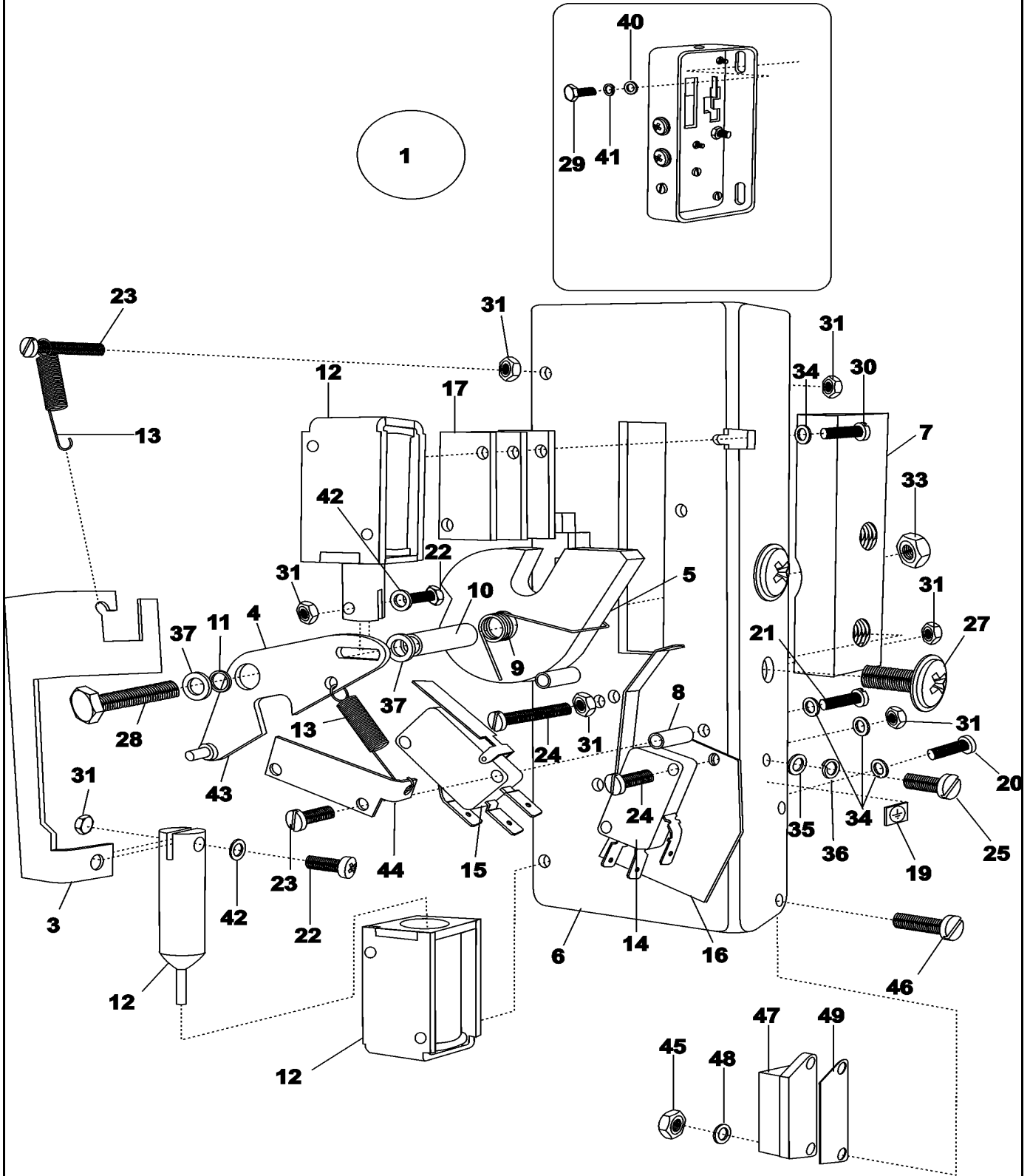
Section: DOOR

No.	Part No.	Description	Series	Qty
1	23003228	DOOR (COMPLETE)	10	1
2	23002675	DOOR	10	1
3	23004439	DOOR HINGE BARS	10	1
4	23003945	HANDLE	10	1
6	23002679	LEVER, DOOR	10	1
7	23002680	TYRE	10	1
9	23002681	INSERTION PIECE	10	1
10	23002682	WASHER	10	1
11	23002683	PLATE	10	1
12	23002684	Z-BRACKET	10	1
13	23002685	NUT, DISPLACING	10	1
15	23004440	SHIM	10	1
16	23003946	SEAL, GLASS	10	1
17	23003947	SEAL, DOOR	10	1
18	23003414	GLASS, DOOR	10	1
19	23002265	WASHER	10	1
20	23001468	STICKER, SPIN DIRECTION	10	1
21	23001618	SCREW (M6X18)	10	1
22	23001658	SCREW (M6X10)	10	1
23	23002280	NUT (M6)	10	1
24 N	23002392	NUT (M6)	10	1
25	23002424	WASHER	10	1
26	23002130	WASHER (6)	10	1
27	23002691	PIN	10	1
28	23002692	SLEEVE	10	1
29	23003948	RETAINING RING	10	1
33	23004441	UPPER HINGE	10	1
35	23004442	BUSHING, BRACKET	10	1
37	23002698	SCREW, DOOR CONSOLE	10	1
38 N	23002699	WASHER, DOOR CONSOLE	10	1
39	23003950	INDEX PLATE, HEAT WARN	10	1
40	23001668	CONTACT, MAGNETIC	10	1
41 N	23003951	HOLDER, MAGNET	10	1
43	23002721	SCREW (M4 X 12)	10	1
44	23004443	LOWER HINGE	10	1

*Color Code (-)=Not Shown #=Series, Serial Prefix or Run No., N=Not Available

Section: DOOR LOCK

Model: MFS100PFVS



03-Mar-03
507 472B

CW10-84

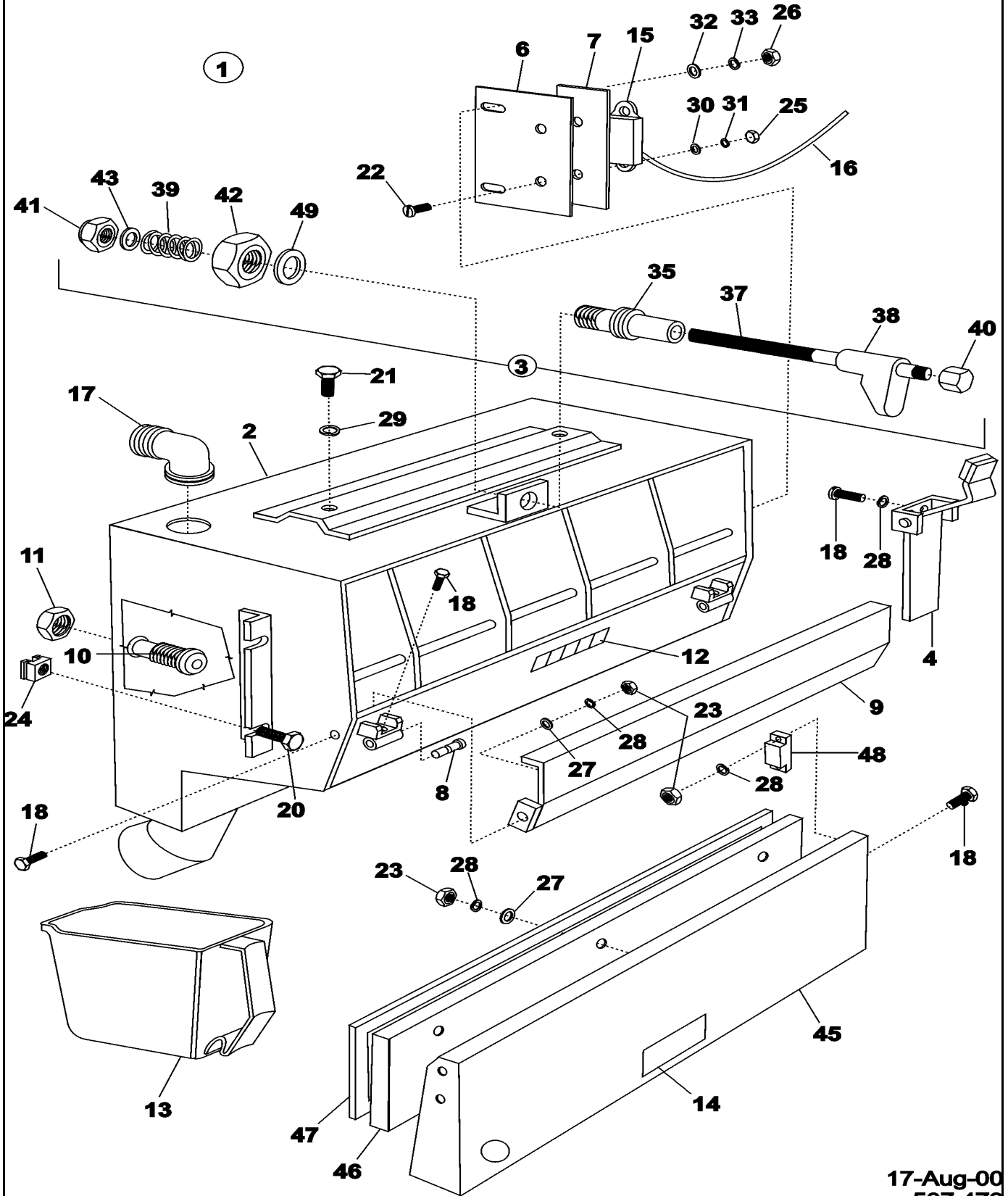
Section: DOOR LOCK

No.	Part No.	Description	Series	Qty
1	23003952	LOCK, DOOR COMPLETE	10	1
3	23002702	GATE	10	1
4	23002703	LINK	10	1
5	23002704	CAM LU	10	1
6	23003953	PLATE	10	1
7	23002706	RISING SECTION	10	1
8 N	23002707	COLUMN	10	1
9	23002708	SPRING	10	1
10	23004444	TUBE	10	1
11	23002710	RING	10	1
12	23002711	COIL	10	1
13	23002712	SPRING	10	1
14	23002713	MICROSWITCH	10	1
15	23002714	MICROSWITCH	10	1
16	23003863	PLATE, MICROSWITCH	10	1
17	23002716	WASHER, COIL	10	1
19	23002505	PLATE, EARTH	10	1
20	23002717	SCREW (M3 X 6)	10	1
21 N	23002183	SCREW (M3X10)	10	1
22	23003115	SCREW (M3X14)	10	1
23	23002718	SCREW (M3 X 16)	10	1
24	23002719	SCREW (M3 X 20)	10	1
25	23002720	SCREW (M4 X 8)	10	1
27	23002722	SCREW (M6 X 12)	10	1
28	23002463	SCREW (M6 X 30)	10	1
29	23002723	SCREW (M8 X 22)	10	1
30 N	23003229	SCREW (M3X12)	10	1
31	23002958	NUT (M3)	10	1
33	23003773	NUT M6	10	1
34	23003654	WASHER (M3)	10	1
35	23003955	WASHER	10	1
36	23002400	WASHER	10	1
37	23003767	WASHER BRASS	10	1
40	23001608	WASHER (M8) LU	10	1
41	23002727	WASHER (8) LU	10	1
42 N	23002498	WASHER	10	1
43	23002728	PIN	10	1
44 N	23002729	HOLDER, COIL	10	1
45	23003666	NUT (M4)	10	1
46	23002398	SCREW (M4X16)	10	1
47	23002730	SEAL	10	1
48	23001610	WASHER (4.3)	10	1
49	23002715	INSULATION	10	1

*Color Code (-)=Not Shown #=Series, Serial Prefix or Run No., N=Not Available

Section: SOAP HOPPER

Model: MFS100PFVS



17-Aug-00
507 473

CW16-34

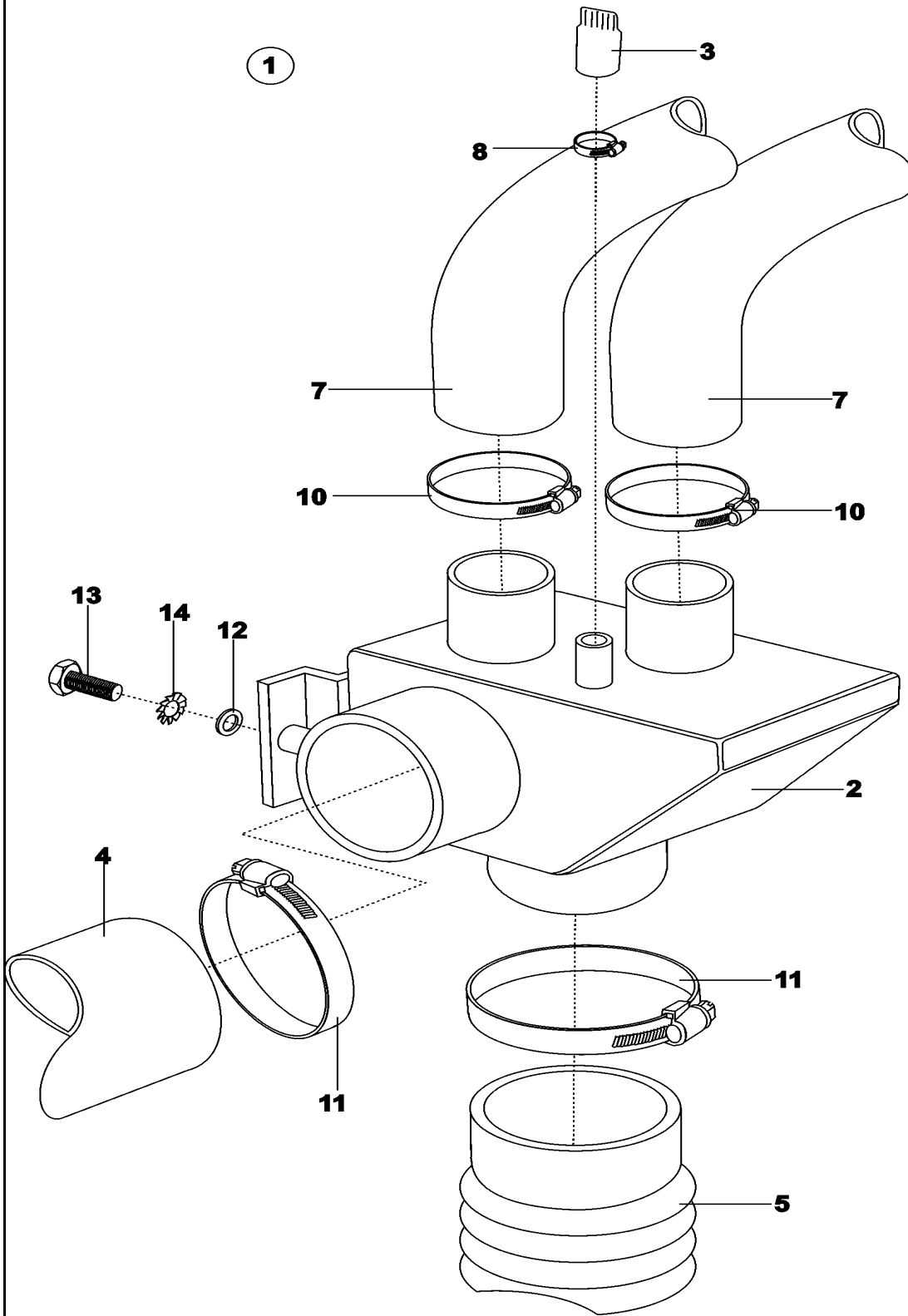
Section: SOAP HOPPER

No.	Part No.	Description	Series	Qty
1	23003230	SOAP BOX (COMPLETE)	10	1
2	23002731	SOAPHOPPER	10	1
3	23003957	SOAPHOPPER, LOCK	10	1
4	N 23002732	OVERSEAL	10	1
5	23002733	COVER, SOAPHOPPER	10	1
6	N 23002734	HOLDER	10	1
7	23002735	INSULATION	10	1
8	23002736	PIN, DOOR	10	1
9	23002737	COVER	10	1
10	23002738	NOZZLE	10	1
11	23002739	NUT	10	1
12	N 23003123	LABEL, SOAP BOX	10	1
13	23002135	CUP, SOAP BOX	10	1
14	N 23002741	PLATE, INDEX	10	1
15	23001566	SWITCH, MAGNETIC	10	1
16	23002742	TUBE, INSULATION	10	1
17	N 23002743	ELBOW	10	1
18	23001682	SCREW (M4X6)	10	1
20	23002422	SCREW (M6 X 12)	10	1
21	N 23002744	SCREW (M6 X 10)	10	1
22	N 23002183	SCREW (M3X10)	10	1
23	23002652	NUT (QTY OF 4 = 1 PIECE)	10	1
24	23002455	NUT, RAPID (M6)	10	1
25	23002958	NUT (M3)	10	1
26	23003666	NUT (M4)	10	1
27	23002129	WASHER (M4)	10	1
28	23002674	SPRING, LOCK WASHER	10	1
29	23002440	WASHER, SPRING LOCK (6)	10	1
30	23003654	WASHER (M3)	10	1
31	N 23002746	WASHER	10	1
32	23002438	WASHER (M6)	10	1
33	23002400	WASHER	10	1
35	23002747	PIN	10	1
37	23002748	SCREW	10	1
38	23002749	LEVER	10	1
39	23002010	SPRING	10	1
40	N 23002392	NUT (M6)	10	1
41	23002471	NUT	10	1
42	23003676	NUT (M12)	10	1
43	23003778	WASHER 12	10	1
45	23003231	COVER, SOAP BOX (COMPLETE)	10	1
46	23002751	COVER, INSERT	10	1
47	23001666	SEAL (10X20X1130) LU	10	1
48	N 23001688	PLATE, SCREENING	10	1
49	23002658	WASHER (12)	10	1

*Color Code (-)=Not Shown #=Series, Serial Prefix or Run No., N=Not Available

Section: FILLING SYSTEM

Model: MFS100PFVS



16-May-04
507 474A

CW21-187

Section: FILLING SYSTEM

No.	Part No.	Description	Series	Qty
1	23004445	MIXING KNOT 100LB	10	1
2	23004447	MIXER-2 WATER INLET	10	1
3	23001459	LIQUID SOAP, HOSE	10	1
4	23001589	TUBE, SOAP BOX (1=210MM)	10	1
5	23003934	HOSE, RUBBER	10	1
7	23002755	HOSE	10	1
8 N	23002829	CLAMP (10-16/7.5)	10	1
10	23001261	CLAMP, HOSE (32-50)	10	1
11	23001256	CLAMP, HOSE (60-80)	10	1
12	23003778	WASHER 12	10	1
13	23002463	SCREW (M6 X 30)	10	1
14	23002756	WASHER	10	1

*Color Code (-)=Not Shown #=Series, Serial Prefix or Run No., N=Not Available

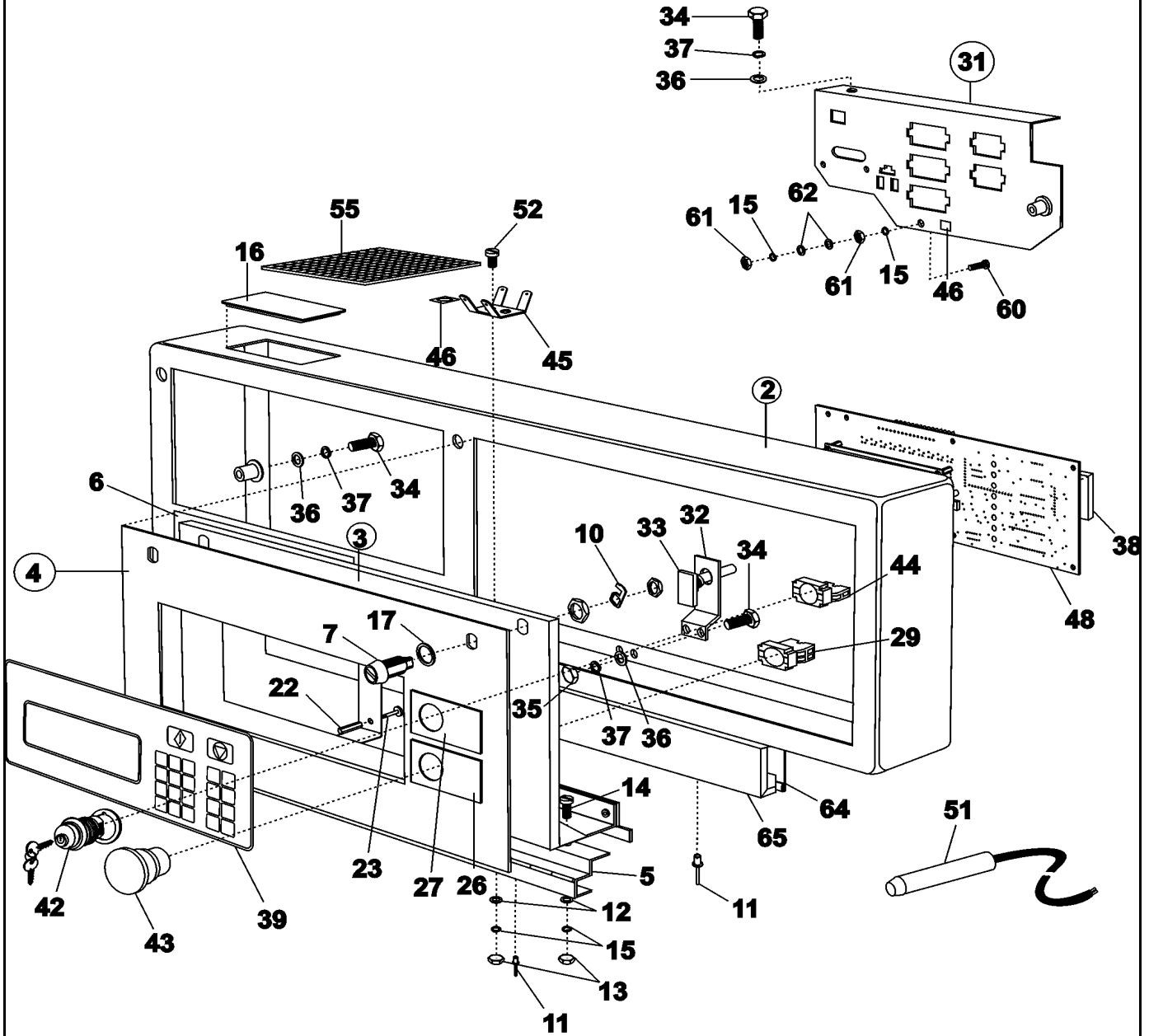
Section: VALVES

No.	Part No.	Description	Series	Qty
2	23002757	EXTENSION	10	1
3	23002758	WASHER	10	1
4	23002759	NIPPLE, PIPE	10	1
5	23002045	COUPLING, PIPE	10	1
6	23002761	REDUCER	10	1
7	23001471	STICKER, COLD SOFT WATER	10	1
8	23001469	STICKER, HOT WATER	10	1
9	N 23001470	STICKER, COLD HARD WATER	10	1
10	23002762	VALVE	10	1
11	23003875	VALVE, 2 WAY	10	1
12	23003876	VALVE 3-WAY	10	1
13	23002755	HOSE	10	1
14	23001507	WATERHOSE (GREEN)	10	1
15	23001261	CLAMP, HOSE (32-50)	10	1
16	23001506	CLAMP, HOSE	10	1
17	23001720	BINDER, CABLE	10	1
18	23002069	T-PART (1")	10	1
19	23002068	NIPPLE (1")	10	1
20	23001756	ELBOW (3/4")	10	1
21	23002156	FILTER	10	1
22	23002057	HOSE, WATER INLET	10	1
23	23003695	ADAPTER, INLET HOSE	10	1

*Color Code (-)=Not Shown #=Series, Serial Prefix or Run No., N=Not Available

Section: CONTROL PANEL

Model: MFS100PFVS



11-Apr-05
516 537

CW11-99

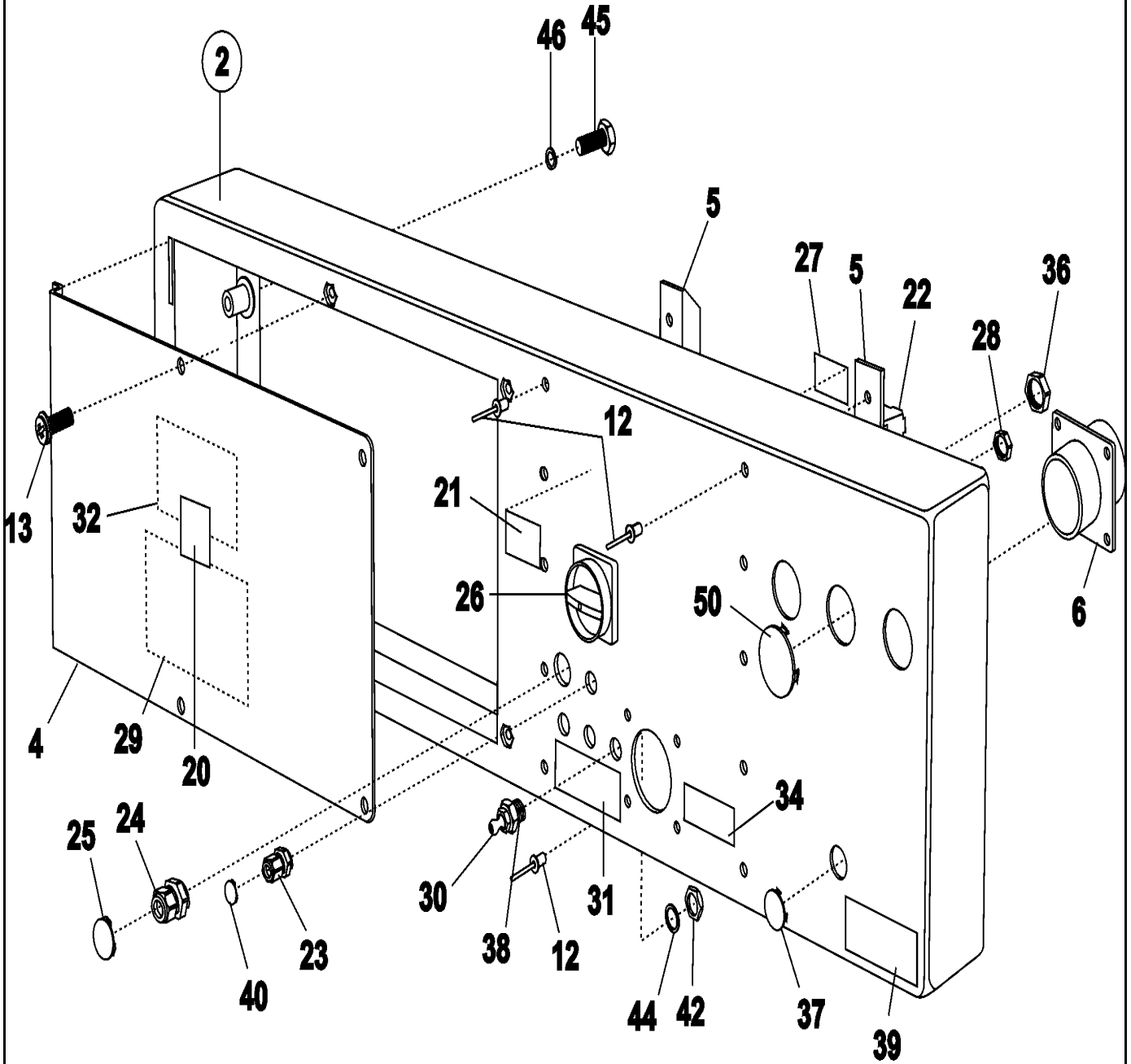
Section: CONTROL PANEL

No.	Part No.	Description	Series	Qty
2	23002763	PANEL, FRONT	10	1
3	23003960	TOP COVER, COMPLETE	10	1
4	23004448	STICKER-FACIA	10	1
5	23002766	SUPPORT, PLATE	10	1
6	23004336	LOGO, LABEL	10	1
7	23001006	LOCK, TOP PANEL	10	1
10	23002451	PAWL	10	1
11	23002408	RIVET W/CRANK	10	1
12	23002438	WASHER (M6)	10	1
13	23003666	NUT (M4)	10	1
14	23002423	SCREW (M4 X 10)	10	1
15	23002400	WASHER	10	1
16 N	23002453	COVER	10	1
17	23001007	WASHER, FIBER	10	1
22	23003873	SLEEVE	10	1
23	23003872	SCREW, THUMB	10	1
26	23002330	LABEL, CENTRAL STOP	10	1
27 N	23002771	PLATE (HOPPERS-PUMPS)	10	1
29	23001076	CONTRACT BLOCK (NO)	10	1
31	23003963	BOARD, COMPLETE	10	1
32	23002774	HOLDER, VIBRATION SWITCH	10	1
33	23002775	SWITCH, VIBRATION	10	1
34 N	23002744	SCREW (M6 X 10)	10	1
35	23003773	NUT M6	10	1
36	23003778	WASHER 12	10	1
37	23002440	WASHER, SPRING LOCK (6)	10	1
38	23003992	MCG EEPROM CHIP LU	10	1
39	23004133	KEY BOARD, FULL CONTROL	10	1
42	23001082	BLOCK, PROGRAMMING KEY	10	1
43	23004136	STOP BUTTON EMERGENCY	10	1
44	23004137	CONTACT BLOCK	10	1
45 N	23002777	CONTACT (6.3 TYPE 140609-0)	10	1
46	23002505	PLATE, EARTH	10	1
48	23003991	MCG CONTROLLER	10	1
51	23003964	SENSOR, TEMPERATURE	10	1
52	23001609	SCREW (M4X12)	10	1
55	23003874	INDEX PLATES	10	1
60	23002778	SCREW (M4 X 12)	10	1
61	23002976	NUT (M4)	10	1
62	23003955	WASHER	10	1
64 N	511231	PILOT VALVE-L	10	1
65	23003966	COVER, TOP FRONT	10	1

*Color Code (-)=Not Shown #=Series, Serial Prefix or Run No., N=Not Available

Section: REAR PANEL

Model: MFS100PFVS



31-May-04
507 479B

CW21-189

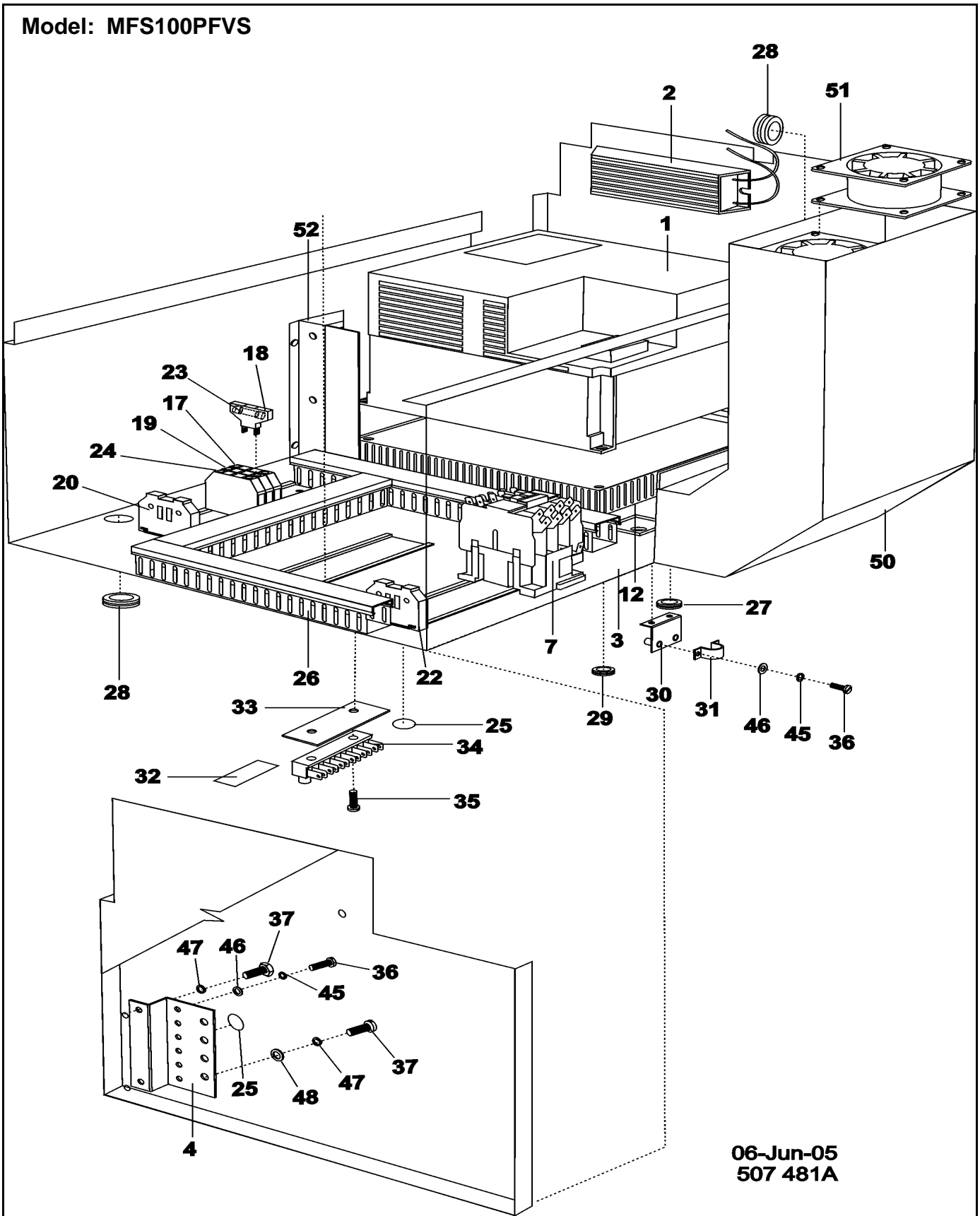
Section: REAR PANEL

No.	Part No.	Description	Series	Qty
2	23004449	REAR PANEL, COMPLETE	10	1
4	23004450	COVER, FREQ CONVERTER	10	1
5	23004451	PUMPS FRAME	10	1
-	23004452	ELBOW	10	1
6	23002787	VENT, REAR PANEL	10	1
12 N	23002467	RIVET/CRANK (4 X 7.5)	10	1
13	23002722	SCREW (M6 X 12)	10	1
20	23003390	INDEX PLATE "FLASH"	10	1
21 N	23001745	LABEL (WARNING)	10	1
22	23003501	SWITCH, MAIN (32A)	10	1
23	23002196	SWIVEL, CABLE	10	1
24 N	23002378	SWIVEL, CABLE	10	1
25 N	23002150	BLIND, UNIVERSAL	10	1
26	23003497	KNOB	10	1
27	23004453	LABEL, WARNING CURRENT	10	1
28	23002197	NUT	10	1
29	23001550	LABEL, EARTH	10	1
30	23002788	HEAD, GREASING	10	1
31	23002793	PLATE (GREASING)	10	1
32	23001465	STICKER, ELECTRICITY WARNING	10	1
34	23002053	LABEL, WARNING VENT OUT	10	1
36 N	23002379	NUT	10	1
37 N	23002794	PLUG (13)	10	1
38 N	23002790	SLEEVE, REDUCING	10	1
39	23003971	LABEL, LIQUID SOAP	10	1
40	23003997	PLUG, HOLE	10	1
42	23002791	NUT (M14 X 1.5)	10	1
44	23002792	WASHER (14)	10	1
45 N	23002744	SCREW (M6 X 10)	10	1
46	23002440	WASHER, SPRING LOCK (6)	10	1
50	23002795	PLUG	10	1

*Color Code (-)=Not Shown #=Series, Serial Prefix or Run No., N=Not Available

Section: ELECTRICAL COMPONENTS

Model: MFS100PFVS



06-Jun-05
507 481A

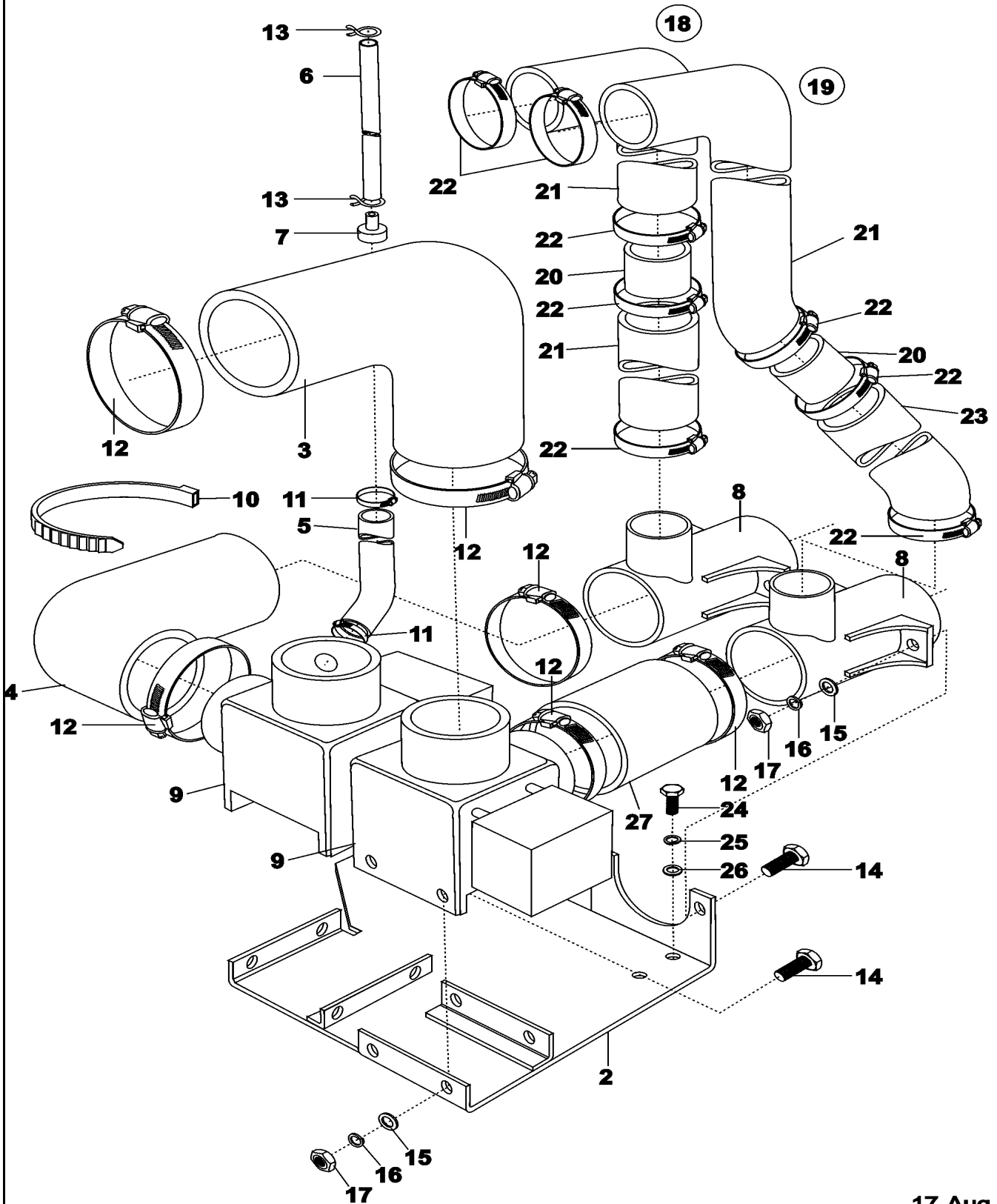
Section: ELECTRICAL COMPONENTS

No.	Part No.	Description	Series	Qty
1	23004089	INVERTER KEB 7.5KW 3PHASE	10	1
1	23004361	CABLE, COMMUNICATION	10	1
2	23004454	BRAKE RESISTOR 208-240V	10	1
3	23004455	DISTRIB. BOARD COMP	10	1
4	23002099	CUBE, EARTH	10	1
7	23001103	CONTACTOR (LC1-D3201 M7)	10	1
12	23004457	FILTER 208-240V 100-125LB	10	1
17	23003239	CLAMP, FUSE PLUG	10	1
18	23003240	PLUG, FUSE	10	1
19	23004458	CLAMP	10	1
20	N 23002800	COVER (VAST4-4)	10	1
22	23002799	STOP END	10	1
23	23002918	FUSE (1A)	10	1
24	23003385	FUSE 1A 6X32	10	1
25	23002505	PLATE, EARTH	10	1
26	23002103	TROUGH, CABLE	10	1
27	N 23002834	PASSAGE, CABLE (13 X 2)	10	1
28	N 23003156	BUSHING, RUBBER	10	1
29	23001117	RING, RUBBER (DIA. 25)	10	1
30	23004360	CABLE HOLDER	10	1
31	23004021	CABLE SOCKET	10	1
32	23003970	LABEL, TERMINAL BOARD	10	1
33	23001115	INSULATION PAPER	10	1
34	23002154	BOARD, TERMINAL (6 POLES)	10	1
35	23002398	SCREW (M4X16)	10	1
36	N 23002804	SCREW (M4 X 10)	10	1
37	23001733	SCREW (M6X10)	10	1
45	23002950	LOCKWASHER (M4)	10	1
46	23003955	WASHER	10	1
47	23002425	WASHER, LOCK	10	1
48	23003767	WASHER BRASS	10	1
50	23004459	FAN CHANNEL	10	1
51	23002165	VENTILATOR	10	1
52	23004460	FAN CHIMNEY	10	1

*Color Code (-)=Not Shown #=Series, Serial Prefix or Run No., N=Not Available

Section: DRAIN SYSTEM 100-125LB

Model: MFS100PFVS



17-Aug-00
508 011

CW21-192

Section: DRAIN SYSTEM 100-125LB

No.	Part No.	Description	Series	Qty
2	23004461	DRAIN BOARD, COMPLETE	10	1
3	23002015	ELBOW (90 DEGREE)	10	1
4	23003245	ELBOW, 90 DEGREE	10	1
5	23003035	ELBOW	10	1
6	23001252	HOSE, WATER LEVEL SWITCH	10	1
7	23001260	BUSHING, AIR DOME HOSE	10	1
8	23001253	DRAIN TEE	10	1
9	23001244	VALVE, DRAIN (240V-50/60HZ)	10	1
-	W10126968	DRAIN VALVE HOUSING 3"	10	1
-	23002321	MOTOR, DRAIN (240V)	10	1
10	23001720	BINDER, CABLE	10	1
11	23001262	CLAMP, HOSE (20-32)	10	1
12	23001258	CLAMP, HOSE (70-90)	10	1
13	23001257	CLAMP, CORBIN (A5.5)	10	1
14	23002475	BOLT (M8X20)	10	1
15	23003769	WASHER M8	10	1
16	23002439	WASHER, SPRING LOCK (8)	10	1
17 N	23003766	NUT M8	10	1
18	23002824	HOSE, DIRECT	10	1
19	23002825	HOSE, BENDED	10	1
20	23002826	PIPE (40)	10	1
21	23001760	HOSE, OVERFLOW	10	1
22	23001750	RING, CLAMP (40-60)	10	1
23	23001251	HOSE, OVERFLOW	10	1
24	23002461	SCREW (M6 X16)	10	1
25	23002440	WASHER, SPRING LOCK (6)	10	1
26	23003778	WASHER 12	10	1

*Color Code (-)=Not Shown #=Series, Serial Prefix or Run No., N=Not Available

