

WASHER

Repair Parts List

MODEL NUMBER
MFR30PNCTS

When requesting service or ordering parts, always provide the following information:

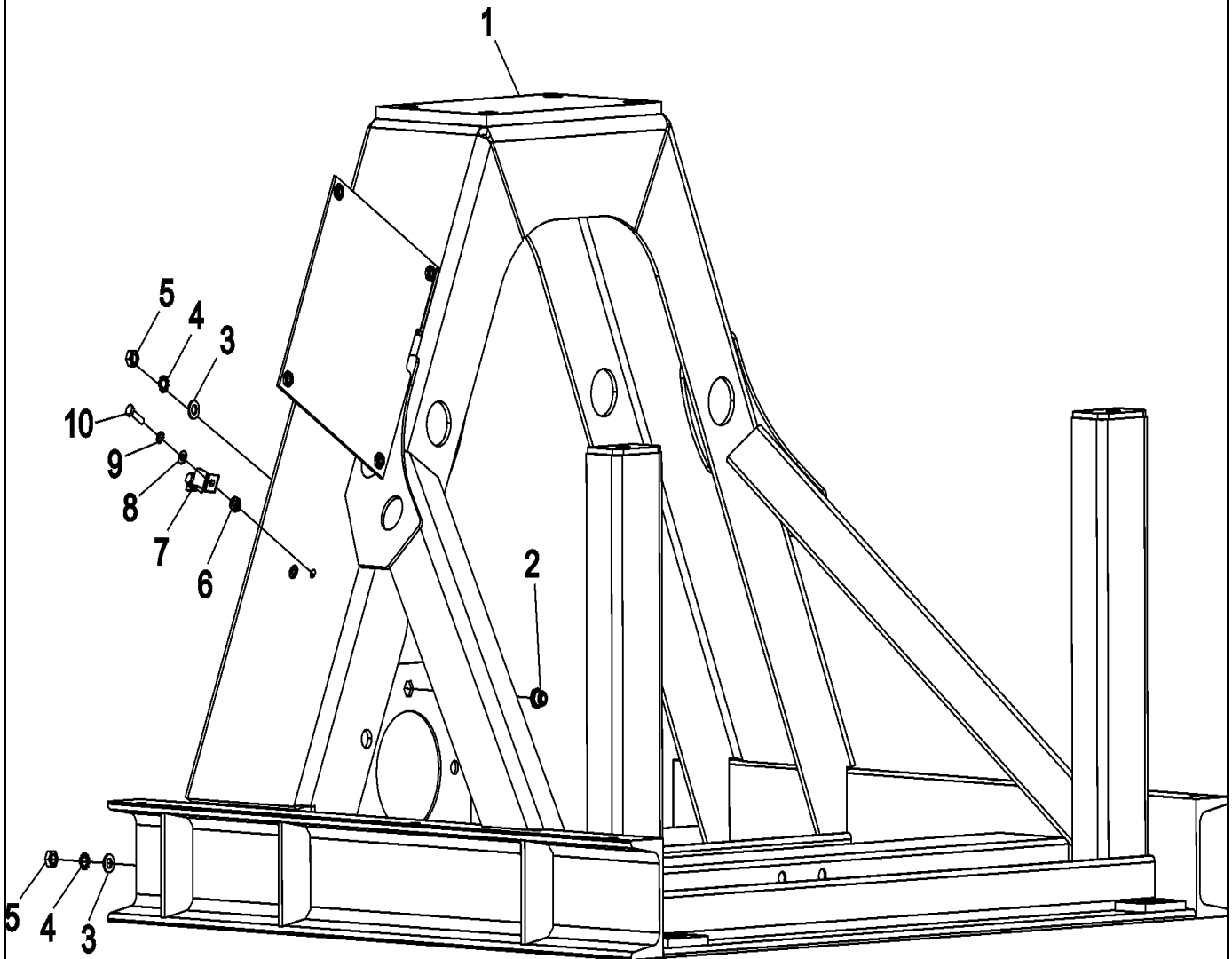
- Product Type
- Part Number
- Model Number
- Part Description

MAYTAG®

©2005 Maytag Services

Section: BASE FRAME

Model: MFR30PNCTS



21-Nov-05
520 780A

CW19-45

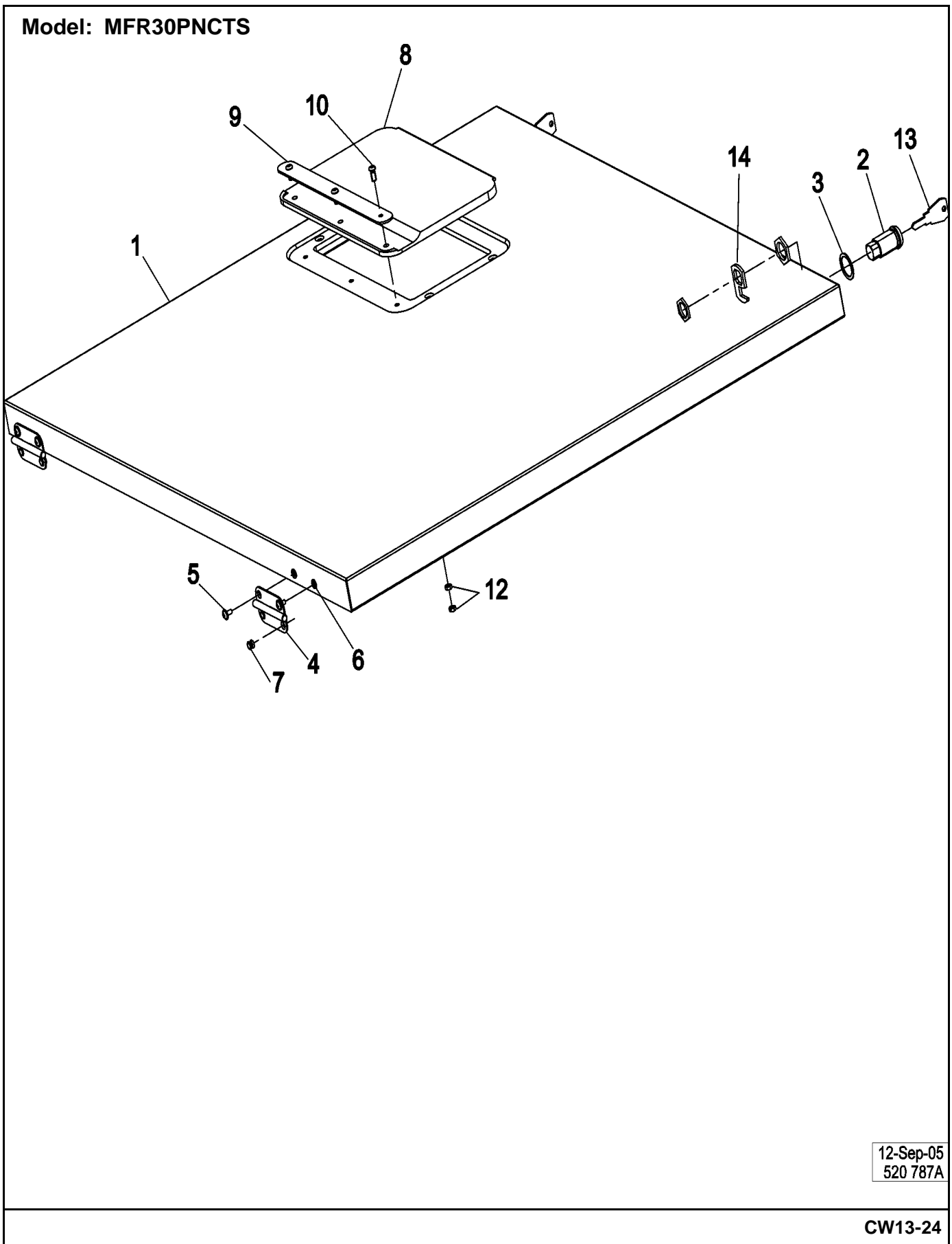
Section: BASE FRAME

No.	Part No.	Description	Series Qty
1	23004026	FRAME WELDED	1
2	23004092	NUT M6	1
3	23002424	WASHER	2
4	23002425	WASHER, LOCK	2
5	23002280	NUT (M6)	2
6	23004093	RIVETING BLIND NUT M4	2
7	23004094	HOLDER	1
8	23002438	WASHER (M6)	2
9	23002426	WASHER, LOCK (M4)	2
10	23004095	BOLT M4 X 16	2

*Color Code (-)=Not Shown #=Series, Serial Prefix or Run No., N=Not Available

Section: TOP COVER ASSEMBLY

Model: MFR30PNCTS



12-Sep-05
520 787A

CW13-24

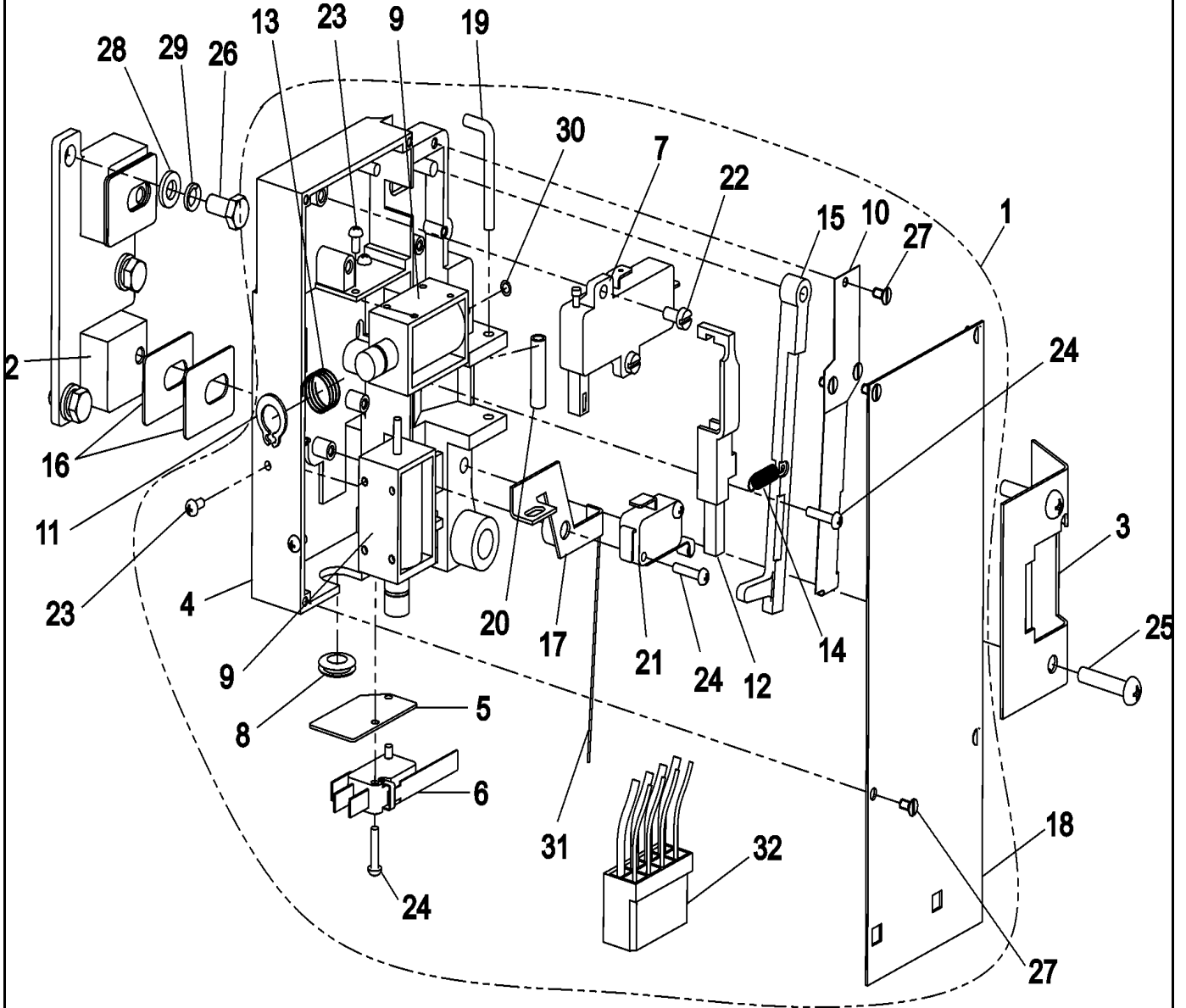
Section: TOP COVER ASSEMBLY

No.	Part No.	Description	Series	Qty
1	23004102	TOP COVER MFR30 LU		1
2	23001006	LOCK, TOP PANEL		2
3	23001007	WASHER, FIBER		2
4	23004103	HINGE		2
5	23004104	BOLT M4 X 8		4
6	23004093	RIVETING BLIND NUT M4		4
7	23004105	RIVET 4X6,3		4
8	23001003	RUBBER COVER, SOAP BOX		1
9	23003781	LACTH, SOAP HOPPER COVER		1
10	23001012	SCREW (M4 X 12 STNLS STEEL)		3
12	23002652	NUT (QTY OF 4 = 1 PIECE)		6
13	23002673	KEY-TOP PANEL (25001)		2
14	23001009	LOCK HOOK (SHORT)		2

*Color Code (-)=Not Shown #=Series, Serial Prefix or Run No., N=Not Available

Section: DOOR LOCK ASSEMBLY

Model: MFR30PNCTS



21-Feb-05
521 450

CW10-78

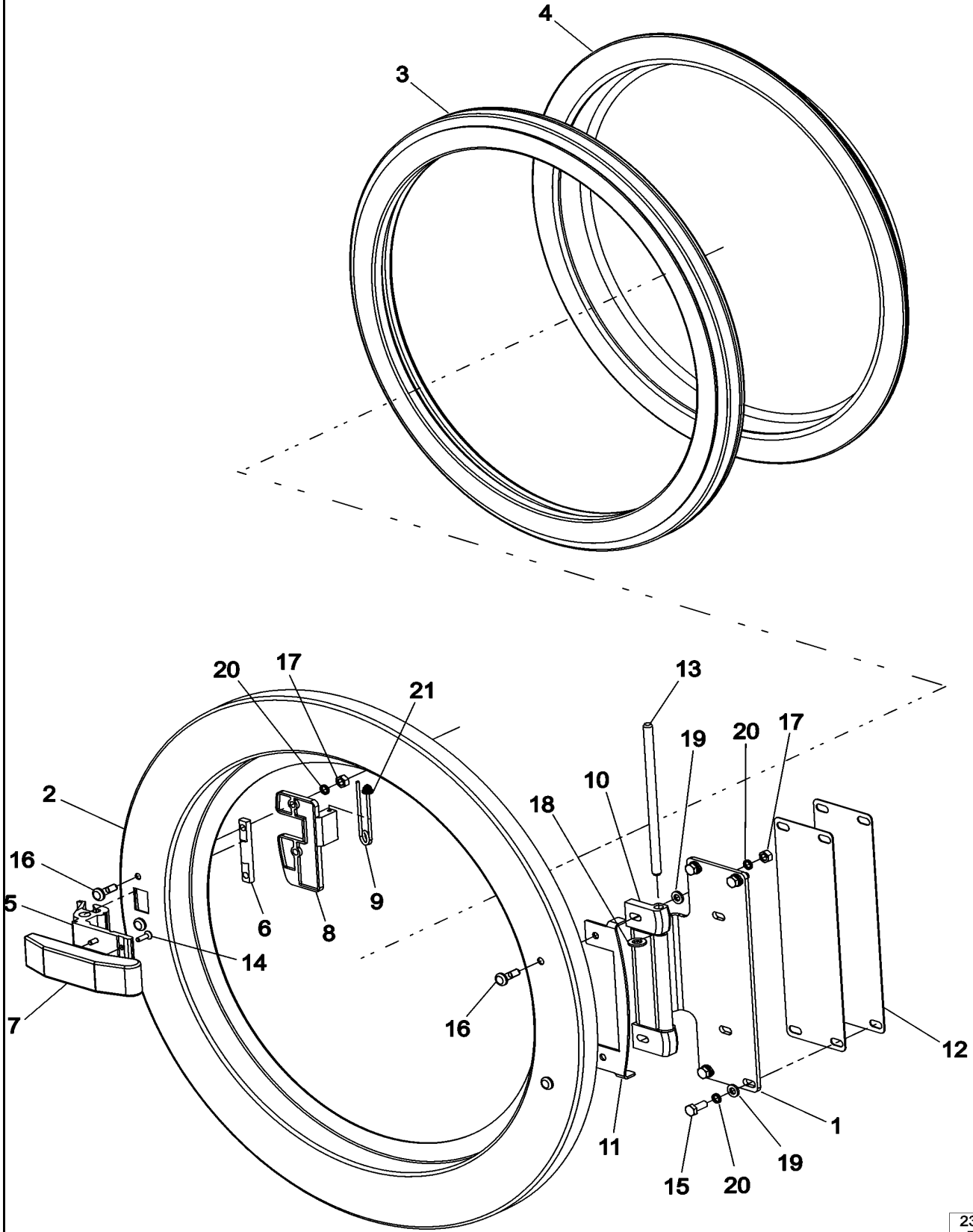
Section: DOOR LOCK ASSEMBLY

No.	Part No.	Description	Series	Qty
1	Y23002897	LOCK, DOOR (COMPLETE)	10	1
2	23001156	SPACER, LOCK	10	1
3	23004106	LOCK COVER	10	1
3	23004234	COVER, LOCK	13	1
4	Y23002898	GROUND, PLATE LOCK	10	1
5	23003863	PLATE, MICROSWITCH	10	1
6	23001145	MICROSWITCH, LONG LEVER	10	1
7	23001135	BIMETAL, ACTUATOR (230V)	10	1
8	23002479	PASSAGE, CABLE	10	1
9	23001146	COIL (240V)	10	2
10	23001149	LEAF SPRING, LATCH BAR	10	1
11	23001137	RING, RETAINING (G10)	10	1
12	23001140	BAR, LOCKING	10	1
13	23002903	SPRING, LOCKING PART	10	1
14	23002900	SPRING, LOCKING PART	10	1
15	23002899	HANDLE, LOCKING PART	10	1
16	23001368	SHIM, HINGE BASE	10	4
17	N 23002902	LEVEL, OPENING	10	1
18	23001130	PLATE, COVER (STNLS STEEL)	10	1
19	23001142	RETAINER, LOCK TUBE (DIA.4X45)	10	1
20	23001143	LOCK TUBE (DIA. 4X23.5 STNLS)	10	1
21	23002337	MICROSWITCH W/ ROLLER ARM	10	1
22	23003114	SCREW (M4X8) LU	10	2
23	23002869	SCREW (M3X6)	10	4
24	23003115	SCREW (M3X14)	10	5
25	23003784	BOLT M5X25 STS STL	10	2
26	23002422	SCREW (M6 X 12)	10	3
27	23003113	SCREW (M3X6)	10	7
28	23002424	WASHER	10	3
29	23002130	WASHER (6)	10	3
30	23001136	WASHER (DIA. 5.1 X 3.3 X 0.1)	10	2
31	23002901	CORD, OPENING	10	1
32	23002905	WIRING, DOOR LOCK	10	1

*Color Code (-)=Not Shown #=Series, Serial Prefix or Run No., N=Not Available

Section: DOOR

Model: MFR30PNCTS



23-Sep-05
519 389A

CW10-77

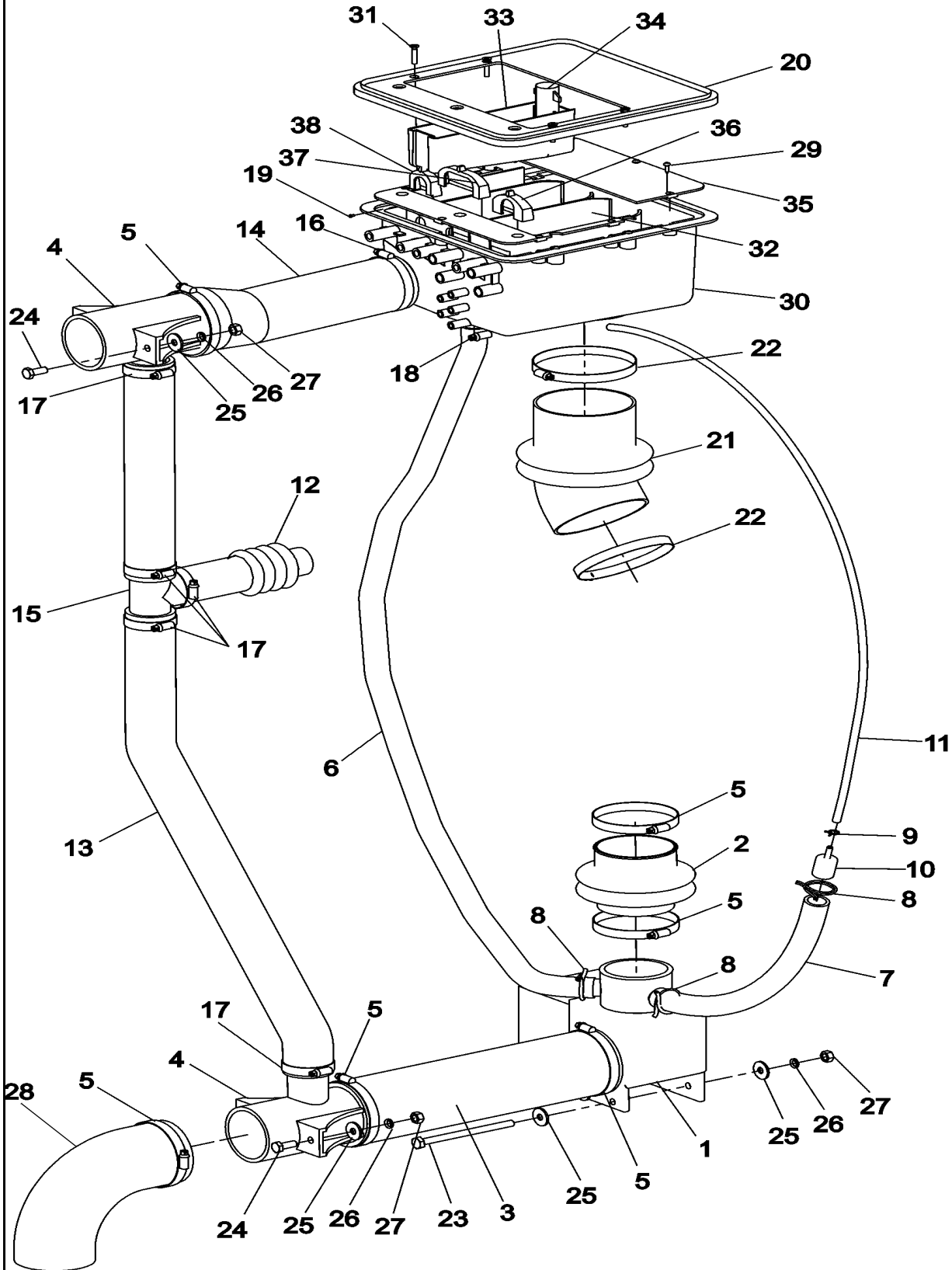
Section: DOOR

No.	Part No.	Description	Series Qty
1	23004107	DOOR HINGE	1
2	23004108	DOOR FRAME	1
3	23003859	DOORSEAL	1
4	23004109	GLASS	1
5	23003858	HANDLE	1
6	23001168	SHAFT, LEVER	1
7	23003860	PLATE, HANDLE ORNAMENTAL	1
8	23001370	HANDLE, LEVER PLATE	1
9	23001169	SPRING, HANDLE LEVER	1
10	23003545	BLOCKS, HINGE LU	1
11	23004110	HINGE BLOOK WASHER	1
12	23004111	SHIM	2
13	23004112	DOOR PIN	1
14	23004113	BOLT M4 X 12	2
15	23004114	BOLT M6 X 16	4
16	23001175	SCREW (M6X20 STAINLESS STEELLU	4
17	23002280	NUT (M6)	4
18	23003769	WASHER M8	2
19	23002424	WASHER	6
20	23002130	WASHER (6)	6
21	23002499	WASHER	1

*Color Code (-)=Not Shown #=Series, Serial Prefix or Run No., N=Not Available

Section: SOAP BOX, DRAIN & HOSE ASSEMBLY

Model: MFR30PNCTS



24-Feb-05
520 788

CW16-30

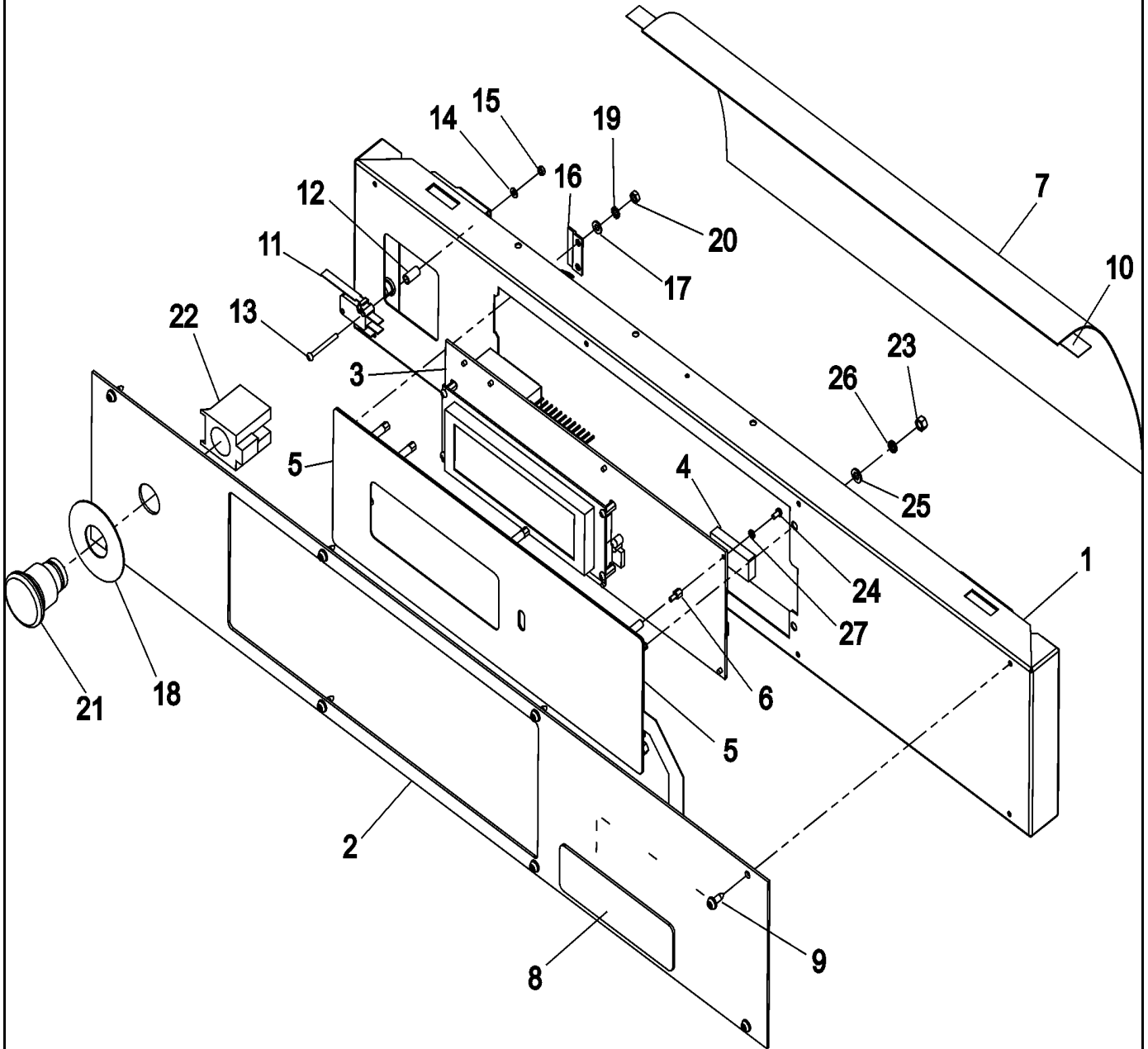
Section: SOAP BOX, DRAIN & HOSE ASSEMBLY

No.	Part No.	Description	Series	Qty
1	23001244	VALVE, DRAIN (240V-50/60HZ)		1
2	23002907	TUB, OUTLET VALVE HOSE		1
3	23001248	HOSE, DRAIN		1
4	23001253	DRAIN TEE		2
5	23001258	CLAMP, HOSE (70-90)		6
6	23001246	HOSE, BOTTOM FILL		1
7	23001246	HOSE, BOTTOM FILL		1
8	23001259	CLAMP, CORBIN (A17.5)		3
9	23001257	CLAMP, CORBIN (A5.5)		1
10	23001260	BUSHING, AIR DOME HOSE		1
11	23001252	HOSE, WATER LEVEL SWITCH		1
12	23001250	HOSE, AIR VENT		1
13	23001251	HOSE, OVERFLOW		1
14	23001254	AIR VENT HOSE, SOAP BOX		1
15	23001255	TEE, OVERFLOW HOSE		1
16	23001256	CLAMP, HOSE (60-80)		1
17	23001750	RING, CLAMP (40-60)		5
18	23001262	CLAMP, HOSE (20-32)		1
19	23003783	SCREW 2		3
20	23001015	RUBBER SEAL, SOAP BOX		1
21	23004115	RUBBER, TUB SOAP HOPPER		1
22	23001025	CLAMP, HOSE (DIA 90/110)		2
23	23002908	SCREW (M8X120)		2
24	23002475	BOLT (M8X20)		4
25	23002437	WASHER (M8)		8
26	23002439	WASHER, SPRING LOCK (8)		6
27	N 23003766	NUT M8		6
28	23002015	ELBOW (90 DEGREE)		1
29	23003782	SCREW 3 STAINLESS STEEL LU		7
30	23001016	SOAP BOX HOUSING		1
31	23003484	SCREW (M5X16)		4
32	23001017	SOAP BOX INSERT		1
33	23001019	TRAY		1
34	23001018	SIPHON		1
35	23001020	COVER, PLATE		1
36	23001021	DRAWER, PREWASH		1
37	23001022	DRAWER, MAIN WASH		1
38	23001023	DRAWER, LAST RINSE		1

*Color Code (-)=Not Shown #=Series, Serial Prefix or Run No., N=Not Available

Section: CONTROL PANEL (PN)

Model: MFR30PNCTS



23-Sep-05
521 449A

CW11-95

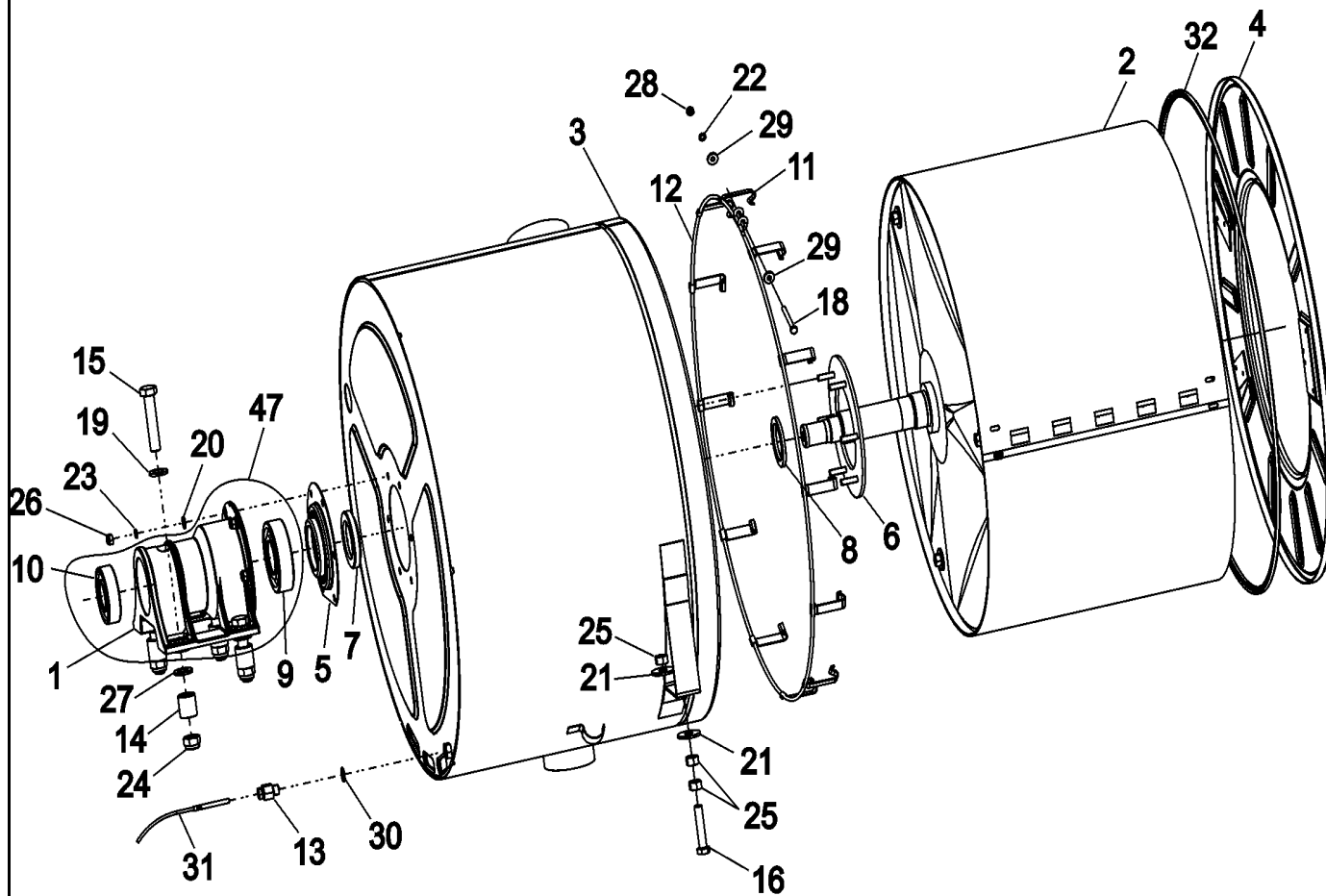
Section: CONTROL PANEL (PN)

No.	Part No.	Description	Series	Qty
1	23004131	BRACKET, CONTROL PANEL		1
2	23004132	CONTROL PANEL(FACIA)PN		1
3	23003991	MCG CONTROLLER		1
4	23003992	MCG EEPROM CHIP LU		1
5	23004133	KEY BOARD, FULL CONTROL		1
6	23004134	SPACER M3XM5X3		7
7	N 23002877	COVER, PLASTIC		1
8	23004135	MAYTAG LABEL		1
9	23003810	SCREW		8
10	23004126	DOUBLE SIDE TAPE		1
11	23001145	MICROSWITCH, LONG LEVER		1
12	23003653	TUBE		2
13	23003652	SCREW, SWITCH		2
14	23003654	WASHER (M3)		2
15	23002958	NUT (M3)		2
16	23003871	BRACKET, Z		2
17	23002438	WASHER (M6)		4
18	23002330	LABEL, CENTRAL STOP		1
19	23002950	LOCKWASHER (M4)		4
20	23003666	NUT (M4)		4
21	23004136	STOP BUTTON EMERGENCY		1
22	23004137	CONTACT BLOCK		1
23	23002452	NUT (M4) LU		2
24	23002869	SCREW (M3X6)		7
25	23002862	WASHER (5,3)		2
26	23002836	WASHER (5)		2
27	N 23002870	LOCKWASHER (M3)		7
-	23004138	SOAP SUPPLY LABEL		1
-	23004139	EMERGENCY STOP HARNESS		1

*Color Code (-)=Not Shown #=Series, Serial Prefix or Run No., N=Not Available

Section: BASKET & OUTER SHELL ASSEMBLY

Model: MFR30PNCTS



22-Feb-05
520 781

CW24-03

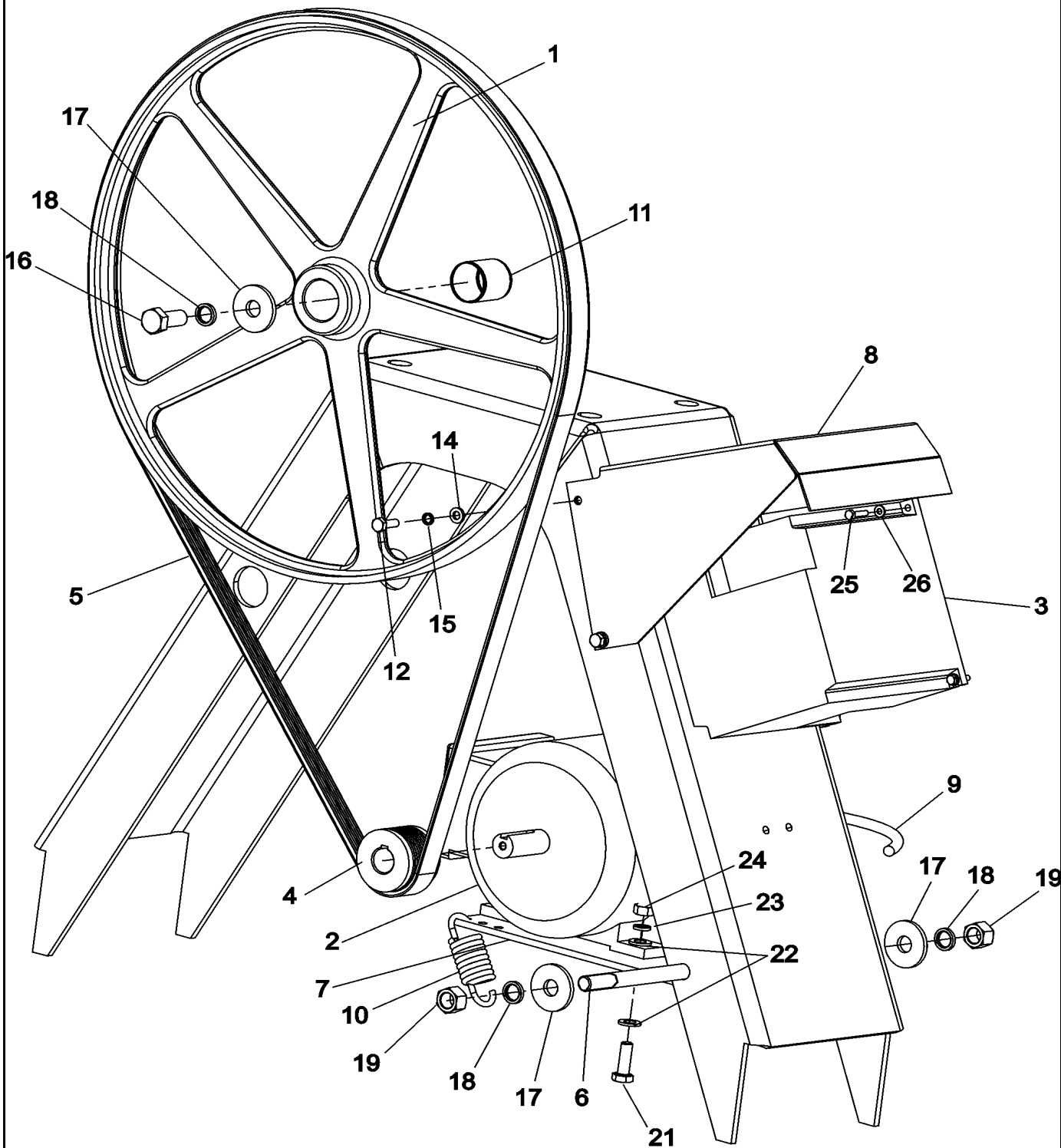
Section: BASKET & OUTER SHELL ASSEMBLY

No.	Part No.	Description	Series Qty
1	23004027	BEARING HOUSING	1
2	23004028	INNER TUB COMPLETE	1
3	23004029	OUTER TUB COMPLETE	1
4	23004140	TUB FRONT	1
5	23004030	AXIAL SEAL HOLDER	1
6	23004031	SEALING RING COMPLETE	1
7	23001234	SEAL, WATER	1
8	23001233	RING, SEAL	1
9	23003615	BEARING	1
10	23004032	BEARING	1
11	23004141	FRONT COVER CLIP	12
12	23004142	CLAMP II	1
13	23003807	HOLDER THERMOSTAT SENSOR	1
14	23004143	SPACER	4
15	23004144	BOLT M16 X 80	4
16	23004145	BOLT M12 X 60	2
18	23004000	BOLT M6 X 60	1
19	23001735	WASHER (M17)	4
20	23003769	WASHER M8	6
21	23004146	WASHER 12	4
22	23002756	WASHER	1
23	23002439	WASHER, SPRING LOCK (8)	6
24	23001651	NUT (M16)	4
25	23003676	NUT (M12)	6
26	23001607	NUT (M8)	6
27	23004147	WASHER 17	4
28	23003773	NUT M6	1
29	23002469	WASHER	2
30	23002179	WASHER	1
31	23003831	SENSOR, TEMPERATURE	1
32	23004148	TUB FRONT GASKET	1
47	23004033	HUB COMPLETE W/BEARINGS	1

*Color Code (-)=Not Shown #=Series, Serial Prefix or Run No., N=Not Available

Section: MOTOR & BASKET PULLEY

Model: MFR30PNCTS



23-Feb-05
520 783

CW23-05

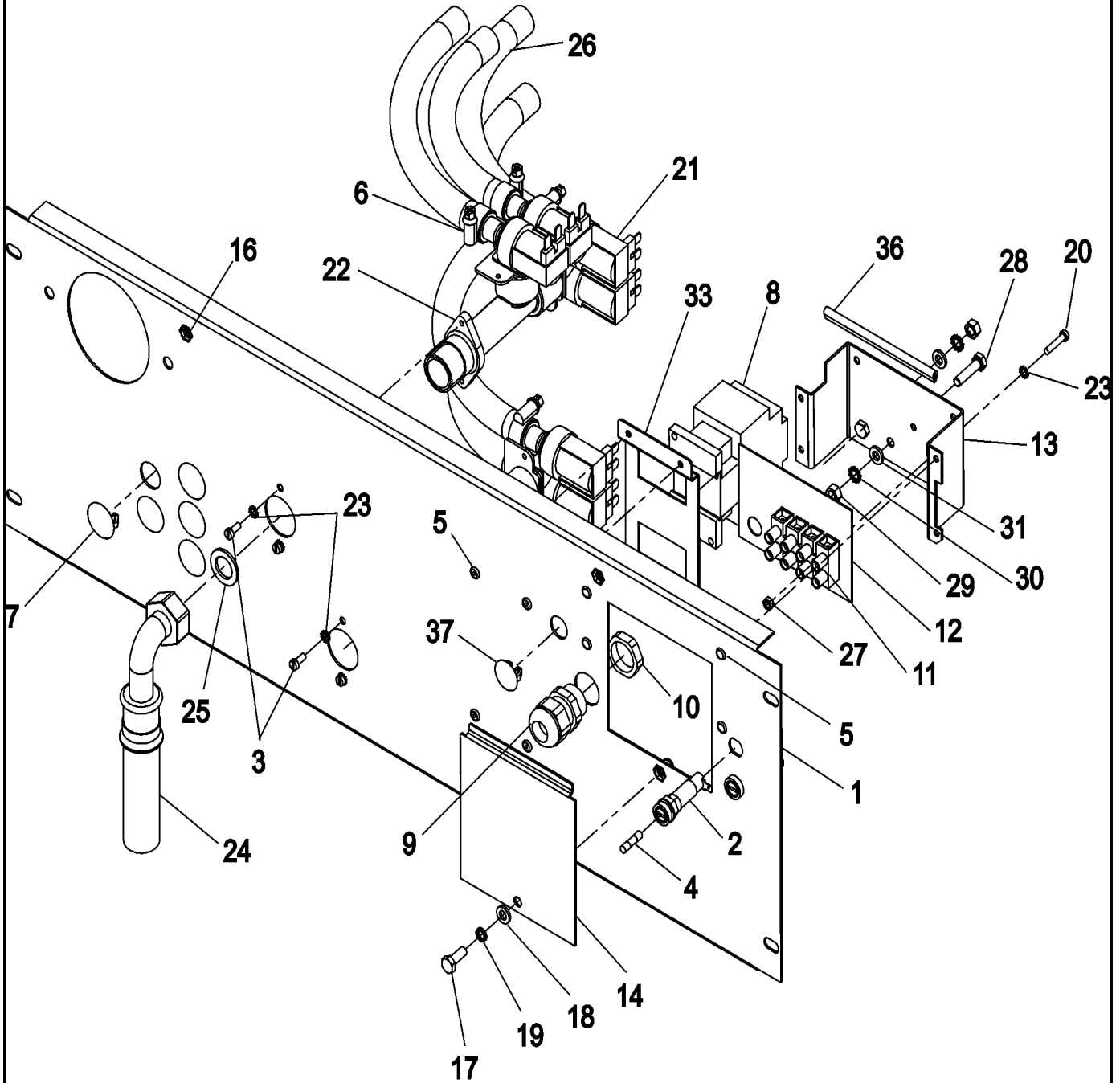
Section: MOTOR & BASKET PULLEY

No.	Part No.	Description	Series	Qty
1	23004149	DRUM PULLEY		1
2	23004079	MOTOR 240V 3PHASE LU		1
3	23004078	INVERTER MIT .75KW 1PHASE		1
4	23004150	MOTOR PULLEY		1
5	23004151	BELT		1
6	23004152	MOTOR ROD		1
7	23004153	MOTOR BRACKET COMPLETE		1
8	23004154	INVERTER COVER		1
9	23004155	MOTOR HARNESS		1
10	23004156	SPRING, TENSION		1
11	23004157	RING, TOLERANCE		1
12	23002461	SCREW (M6 X16)		3
14	23003778	WASHER 12		2
15	23003778	WASHER 12		3
16	23002440	WASHER, SPRING LOCK (6)		1
17	23004146	WASHER 12		3
18	23002658	WASHER (12)		3
19	23003676	NUT (M12)		2
21	23002647	SCREW (M8 X 25)		4
22	23003769	WASHER M8		8
23	23002439	WASHER, SPRING LOCK (8)		4
24 N	23003768	NUT M8		4
25	23004095	BOLT M4 X 16		4
26	23002438	WASHER (M6)		4

*Color Code (-)=Not Shown #=Series, Serial Prefix or Run No., N=Not Available

Section: WATER VALVE & REAR PANEL

Model: MFR30PNCTS



10-Feb-05
520 786

CW22-03

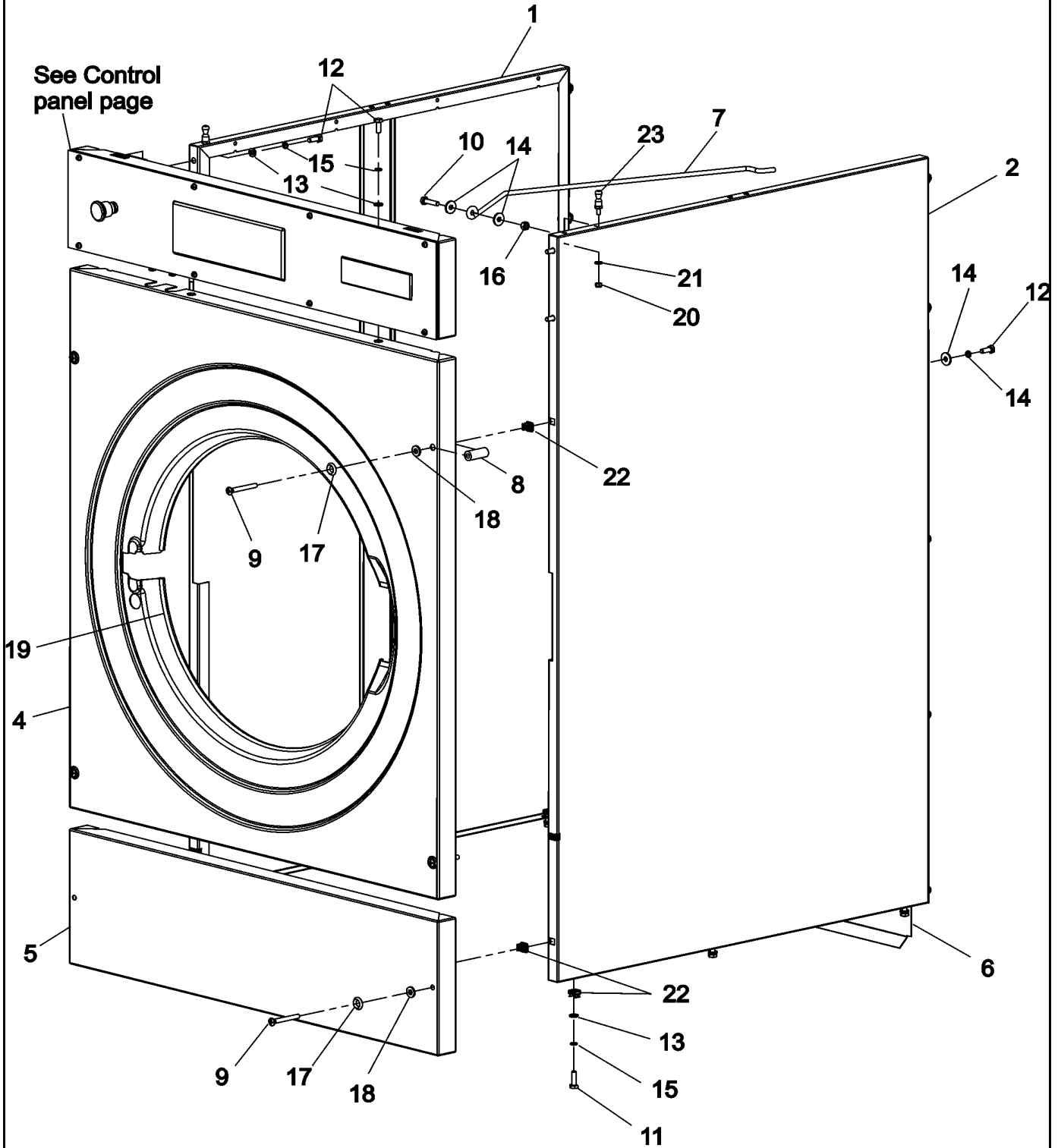
Section: WATER VALVE & REAR PANEL

No.	Part No.	Description	Series	Qty
1	23004158	REAR PANEL		1
2	23001462	HOLDER, FUSE		2
3	23002423	SCREW (M4 X 10)		4
4	23001508	FUSE (1A)		2
5	23004105	RIVET 4X6,3		8
6	23001506	CLAMP, HOSE		12
7	23002795	PLUG		5
8	23003750	CONTACTOR LC1 DO9		1
9	23002196	SWIVEL, CABLE		1
10	23002197	NUT		1
11	23002923	BOARD, TERMINAL		1
12	23004159	ELECTRO-INSUL FOIL		1
13	23004160	TERM BOARD BOX		1
14	23003661	TERMINAL COVER LU		1
16	23004092	NUT M6		3
17	23002461	SCREW (M6 X16)		1
18	23003778	WASHER 12		1
19	23002440	WASHER, SPRING LOCK (6)		1
20 N	23002807	SCREW (M4 X 20)		2
21	23001455	VALVE, TWO WAY (220V 50/60HZ)		3
22	23002924	T-PART (3/4)		1
23	23002950	LOCKWASHER (M4)		6
24	23001523	HOSE, CONNECTION		2
25	23002921	WASHER, FILL HOSE		4
26	23001507	WATERHOSE (GREEN)		1
27	23003666	NUT (M4)		2
28	23002806	SCREW (M6 X 25)		2
29	23002651	NUT (M6)		2
30	23002425	WASHER, LOCK		2
31	23002424	WASHER		2
32	23002473	RUBBER, PROTECTIVE		1
36	23004161	BRACKET, CONTACTOR		1
37	23003785	PLUG		1
-	23004162	MAIN HARNESS		1
-	23004163	DOOR LOCK HARNESS		1
-	23004139	EMERGENCY STOP HARNESS		1
-	23004164	CONNECTOR LIQ SOAP LU		1
-	23004165	MOTOR CABLE		1
-	23004166	COMMUNICATION CABLE		1

*Color Code (-)=Not Shown #=Series, Serial Prefix or Run No., N=Not Available

Section: CABINET (PN)

Model: MFR30PNCTS



21-Feb-05
520 785

For PN Model

Section: CABINET (PN)

No.	Part No.	Description	Series	Qty
1	23004096	PANEL, L SIDE COMP SS	10	1
2	23004097	PANEL, R SIDE COMP SS	10	1
4	23004101	PANEL, FRONT (OPL)	10	1
4	23004516	FRONT PANEL,MFR30PN	13	1
5	23004099	PANEL, SERVICE	10	1
6	23004100	REAR COVER	10	1
7	23001330	SUPPORT ROD, TOP PANEL	10	1
8	23002860	TUBE, DISTANCE	10	4
9	23002456	SCREW (M6 X 50)	10	6
10	23002861	SCREW (M6X25) LU	10	1
11	23002462	SCREW (M6 X 20) LU	10	6
12	23002461	SCREW (M6 X16)	10	19
13	23003778	WASHER 12	10	14
14	23003012	WASHER LU	10	15
15	23002440	WASHER, SPRING LOCK (6)	10	25
16	23003773	NUT M6	10	3
17	23002457	WASHER	10	6
18	23002458	WASHER (FIBER)	10	6
19	23002473	RUBBER, PROTECTIVE	10	1
20	23003716	NUT M5	10	2
21	23002862	WASHER (5,3)	10	2
22	23002455	NUT, RAPID (M6)	10	2
23	23001332	PIN, SRV	10	12

*Color Code (-)=Not Shown #=Series, Serial Prefix or Run No., N=Not Available

