

WASHER

Repair Parts List

MODEL NUMBER
MFR18PDCWS

When requesting service or ordering parts, always provide the following information:

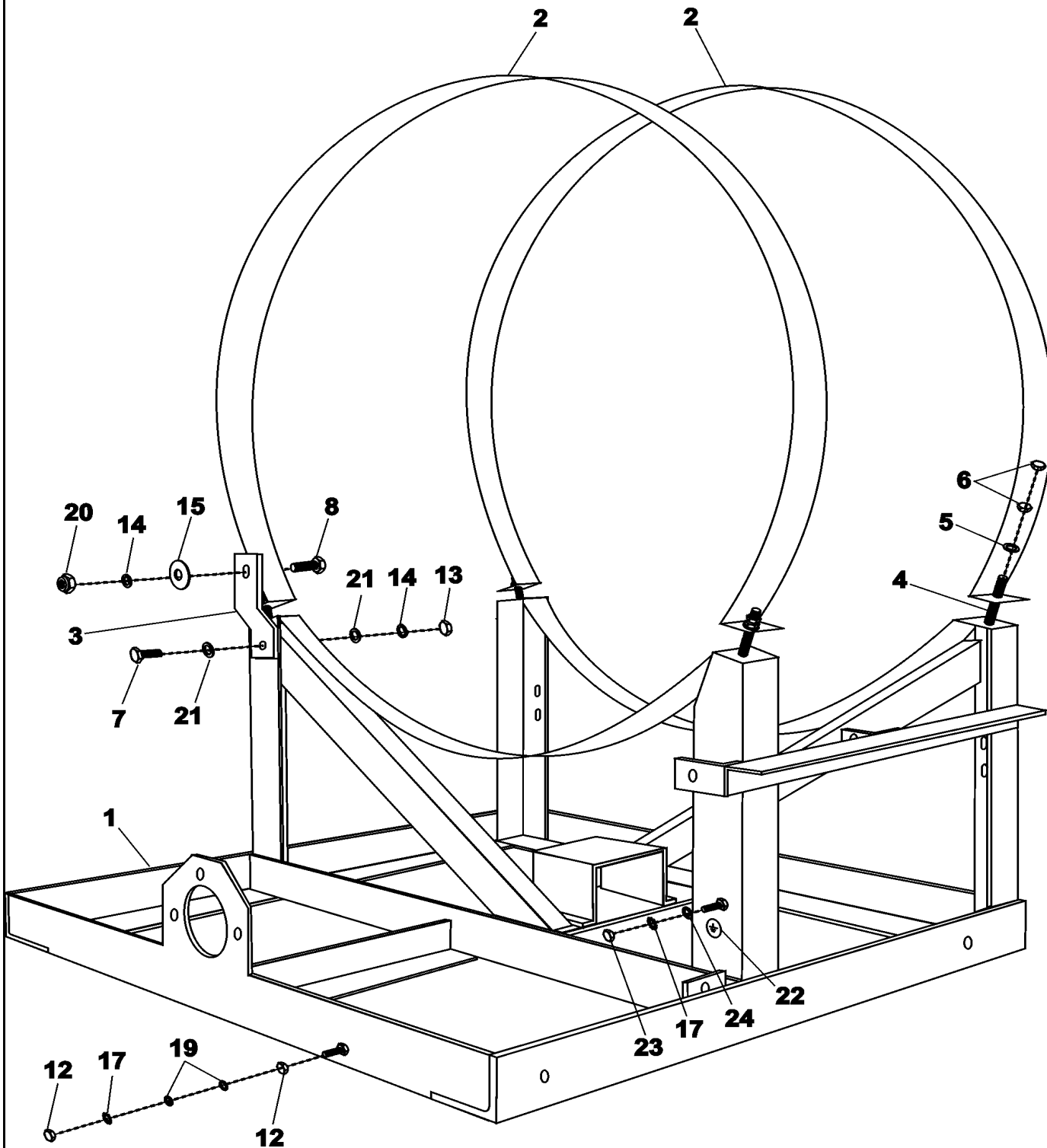
- Product Type
- Part Number
- Model Number
- Part Description

MAYTAG®

©2005 Maytag Services

Section: BASE FRAME

Model: MFR18PDCWS



29-Apr-05
504 616B

CW19-49

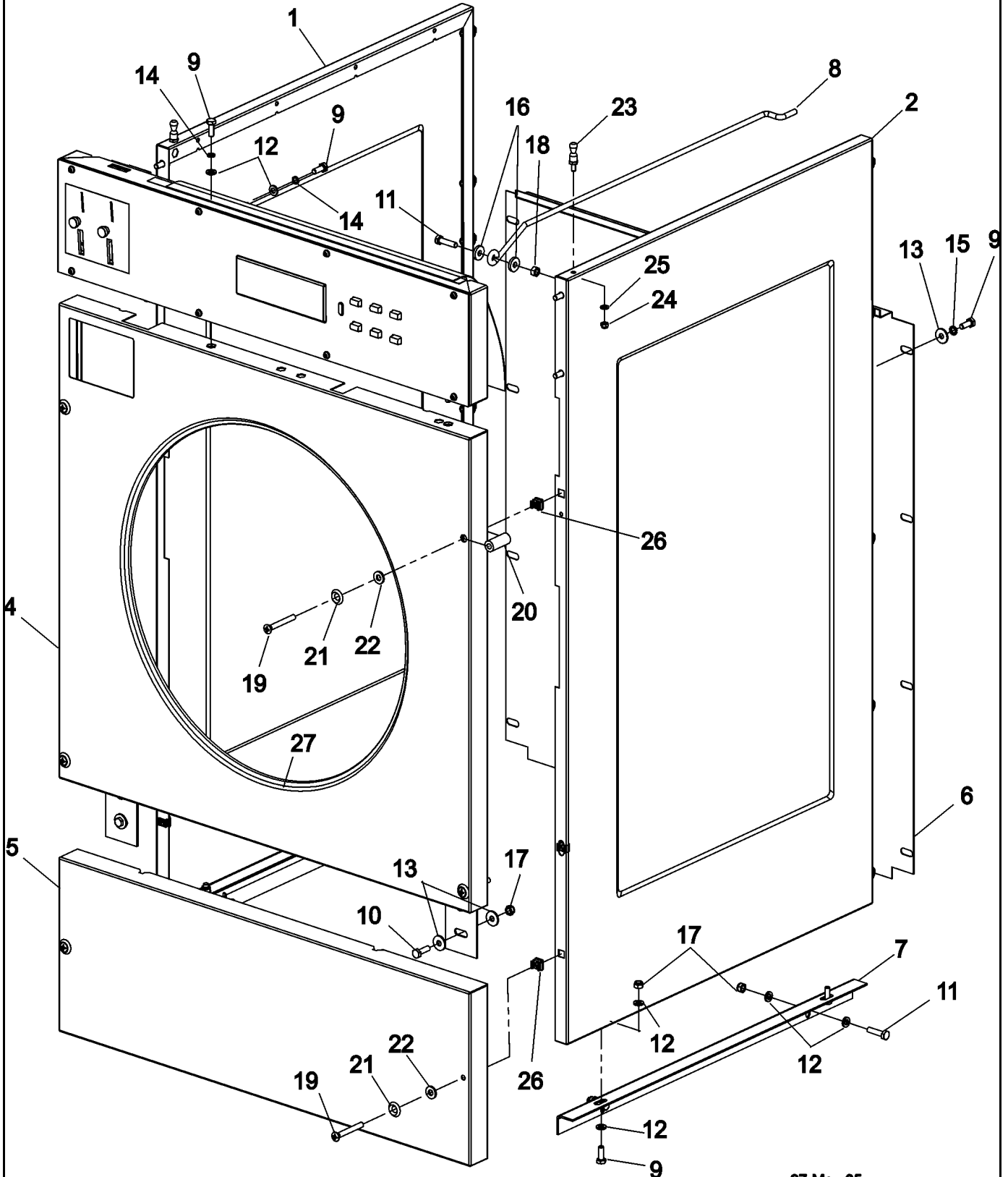
Section: BASE FRAME

No.	Part No.	Description	Series	Qty
1	23004292	BASE FRAME MFR18	10	1
2	N 23003283	CLAMP, TUB	10	2
3	N 23003284	BRACE, TUB SUPPORT	10	1
4	23003285	BOLT (M10X50)	10	4
5	23002654	WASHER (10)	10	4
6	23003764	NUT M10	10	8
7	23003765	BOLT M8X35	10	1
8	23002646	SCREW (M8 X 40)	10	1
12	N 23003175	NUT (M8)	10	2
13	N 23003766	NUT M8	10	1
14	23002439	WASHER, SPRING LOCK (8)	10	2
15	23002437	WASHER (M8)	10	1
17	23002425	WASHER, LOCK	10	2
19	23004221	WASHER 8	10	2
20	23001607	NUT (M8)	10	1
21	23003769	WASHER M8	10	2
22	N 23002350	PLATE, INDEX	10	2
23	23002280	NUT (M6)	10	1
24	23002424	WASHER	10	2

*Color Code (-)=Not Shown #=Series, Serial Prefix or Run No., N=Not Available

Section: CABINET

Model: MFR18PDCWS



27-May-05
521 464

CW12-56

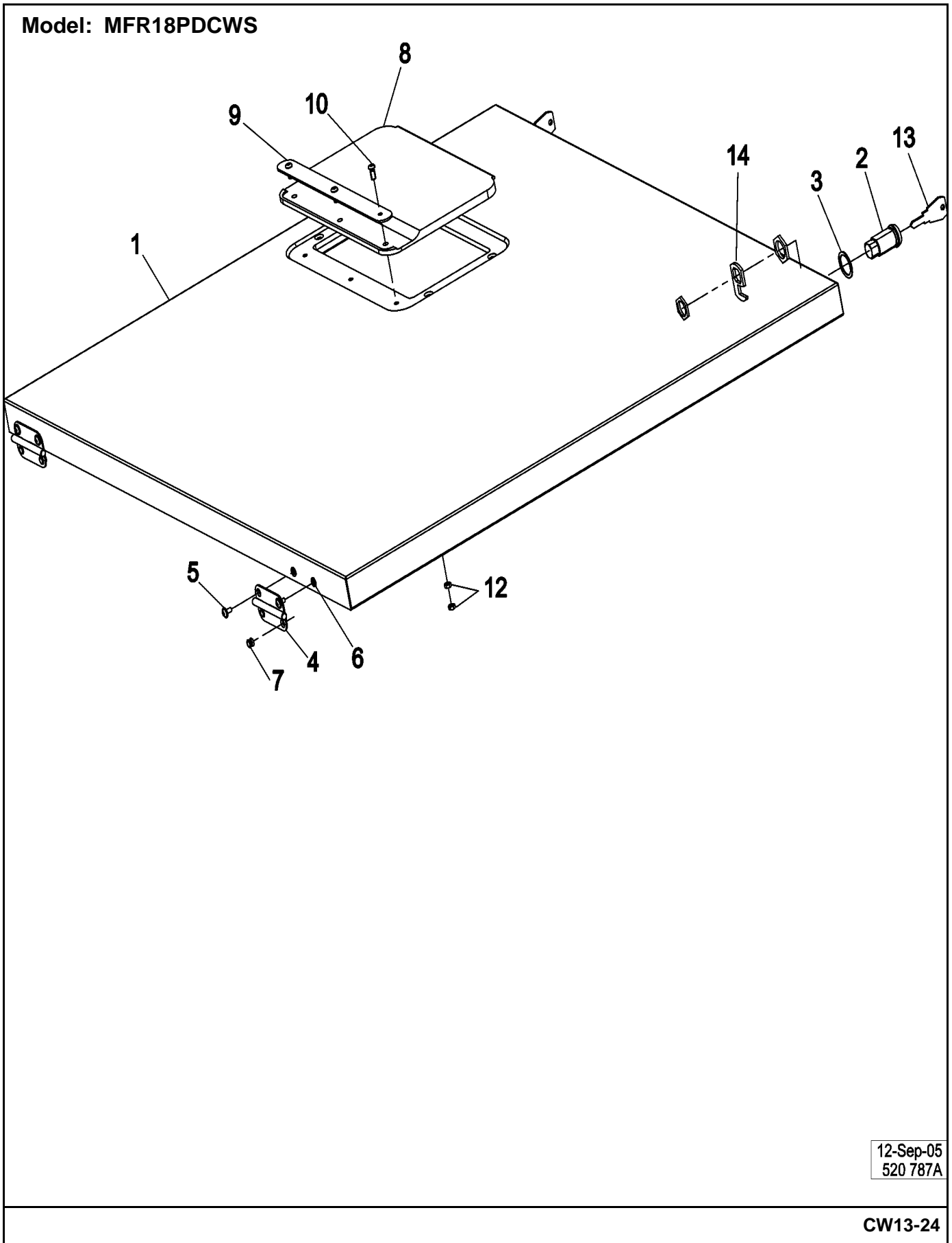
Section: CABINET

No.	Part No.	Description	Series	Qty
1	23004294	PANEL, SIDE LH MFR18 LU	10	1
2	23004296	PANEL, SIDE RH MFR18 LU	10	1
4	23004298	PANEL, FRONT MFR18 LU	10	1
5	23001436	PANEL, ACCESS (LWR)	10	1
6	23003295	PANEL, REAR	10	1
7	23003298	SUPPORT, SIDE PANEL	10	2
8	23001330	SUPPORT ROD, TOP PANEL	10	1
9	23002461	SCREW (M6 X16)	10	23
10	23002462	SCREW (M6 X 20) LU	10	4
11	23002861	SCREW (M6X25) LU	10	5
12	23003778	WASHER 12	10	22
13	23003012	WASHER LU	10	21
14	23002440	WASHER, SPRING LOCK (6)	10	6
15	23002756	WASHER	10	13
16	23002469	WASHER	10	2
17	23002471	NUT	10	12
18	23003773	NUT M6	10	1
19	23002456	SCREW (M6 X 50)	10	6
20	23002860	TUBE, DISTANCE	10	4
21	23002457	WASHER	10	6
22	23002458	WASHER (FIBER)	10	6
23	23001332	PIN, SRV	10	2
24	23003716	NUT M5	10	2
25	23002862	WASHER (5,3)	10	2
26	23002455	NUT, RAPID (M6)	10	6
27	23002473	RUBBER, PROTECTIVE	10	1

*Color Code (-)=Not Shown #=Series, Serial Prefix or Run No., N=Not Available

Section: TOP COVER

Model: MFR18PDCWS



12-Sep-05
520 787A

CW13-24

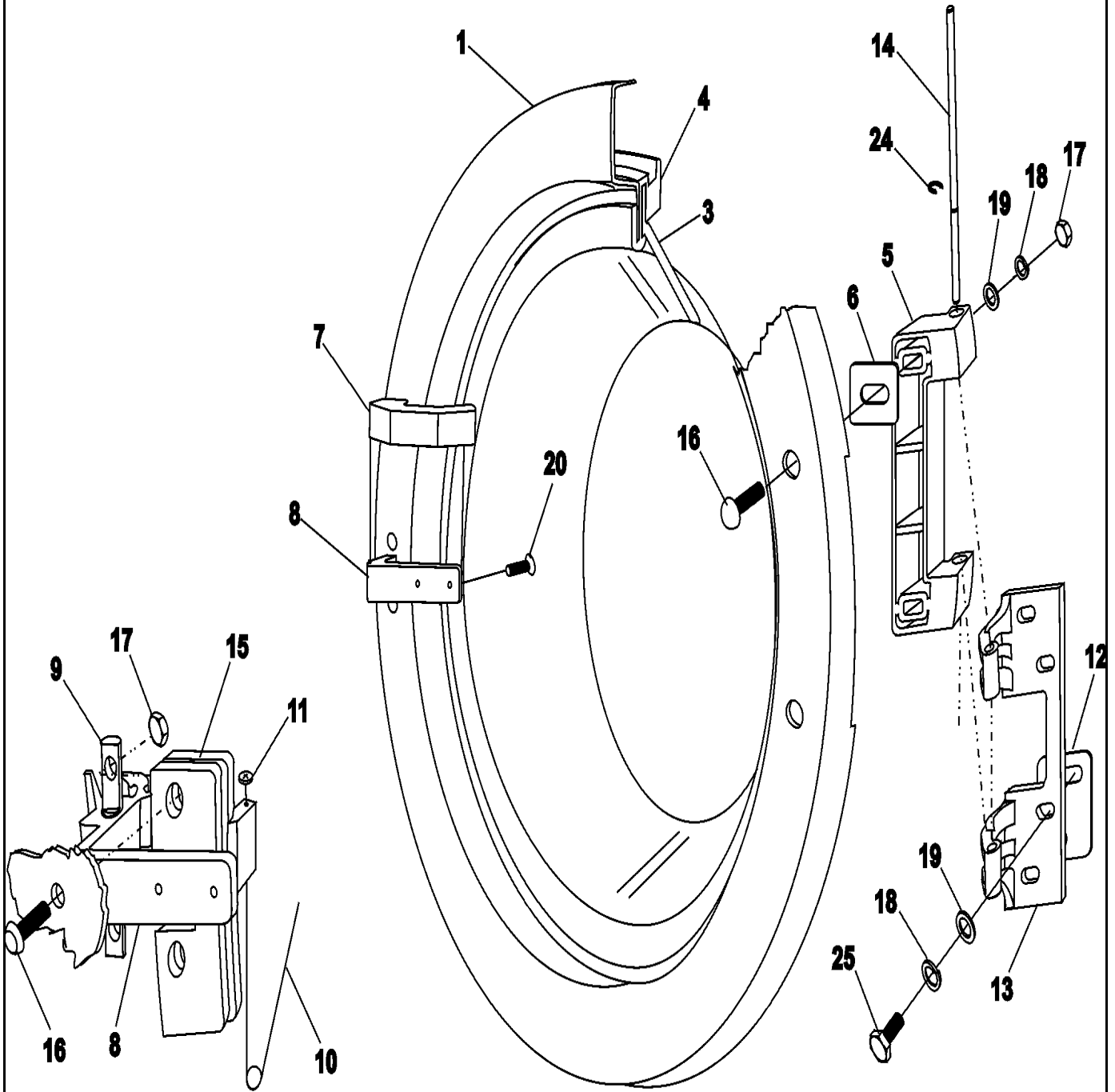
Section: TOP COVER

No.	Part No.	Description	Series	Qty
1	23004300	COVER, TOP MFR18	10	1
2	23001006	LOCK, TOP PANEL	10	2
3	23001007	WASHER, FIBER	10	2
4	23004103	HINGE	10	2
5	23004104	BOLT M4 X 8	10	4
6	23004093	RIVETING BLIND NUT M4	10	4
7	23004105	RIVET 4X6,3	10	4
8	23001003	RUBBER COVER, SOAP BOX	10	1
9	23003781	LACTH, SOAP HOPPER COVER	10	1
10	23001012	SCREW (M4 X 12 STNLS STEEL)	10	3
12	23002652	NUT (QTY OF 4 = 1 PIECE)	10	6
13	23002673	KEY-TOP PANEL (25001)	10	2
14	23001009	LOCK HOOK (SHORT)	10	2

*Color Code (-)=Not Shown #=Series, Serial Prefix or Run No., N=Not Available

Section: DOOR

Model: MFR18PDCWS



05-May-05
504 627A

CW10-80

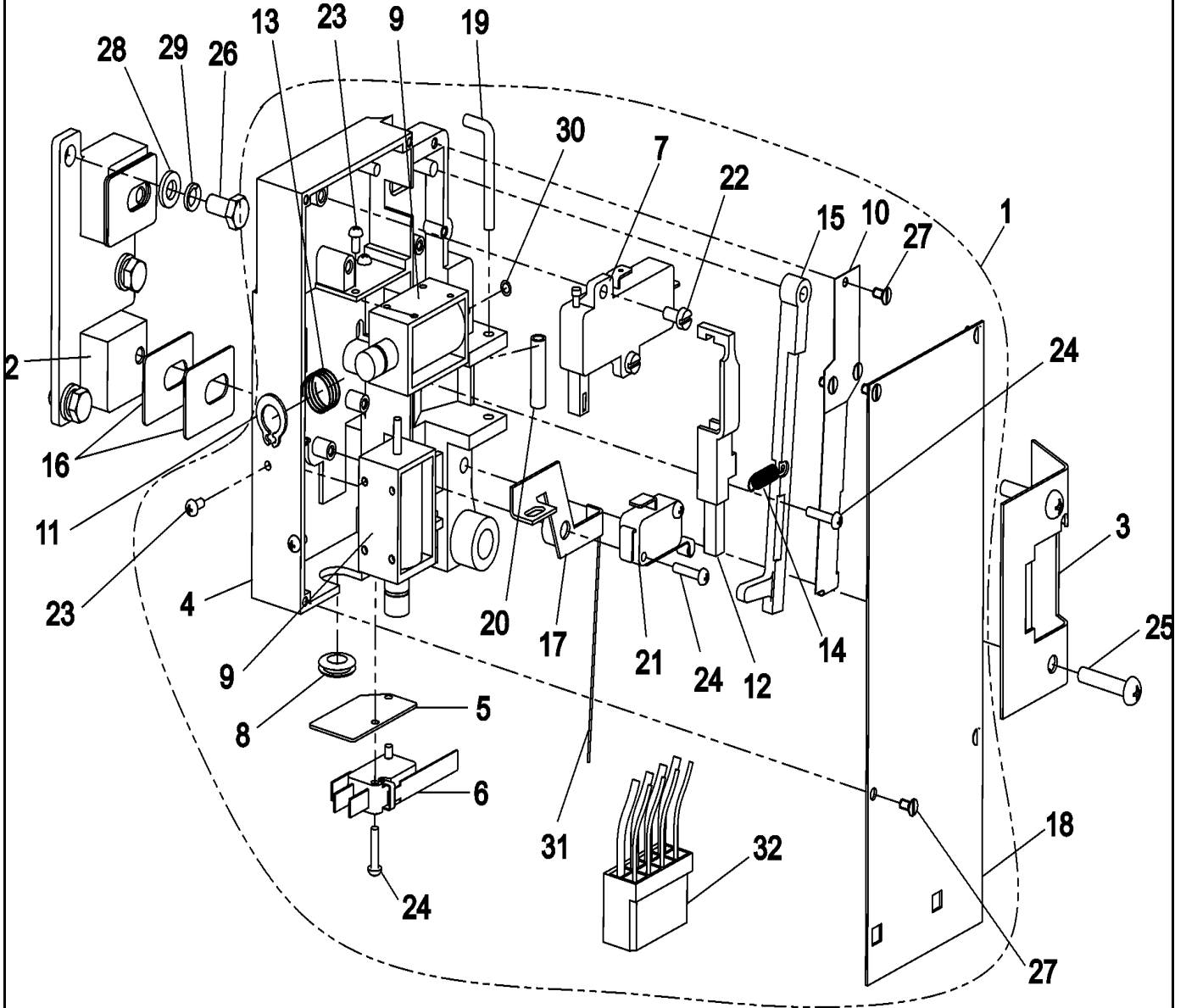
Section: DOOR

No.	Part No.	Description	Series	Qty
1	23001363	RING, DOOR	10	1
3	23001364	GLASS, DOOR	10	1
4	23001365	RUBBER, DOOR GLASS	10	1
5	23001366	PLATE, HINGE	10	1
6	23001166	SHIM, HINGE PLATE	10	4
7	23003860	PLATE, HANDLE ORNAMENTAL	10	1
8	23003858	HANDLE	10	1
9	23001168	SHAFT, LEVER	10	1
10	23001169	SPRING, HANDLE LEVER	10	1
11	23002499	WASHER	10	1
12	23001368	SHIM, HINGE BASE	10	4
13	23001171	BASE, HINGE	10	1
14	23001172	SHAFT, DOOR HINGE	10	1
15	23001370	HANDLE, LEVER PLATE	10	1
16	23001175	SCREW (M6X20 STAINLESS STEELLU	10	4
17	23002280	NUT (M6)	10	4
18	23002130	WASHER (6)	10	6
19	23002424	WASHER	10	6
20	23003793	BOLT M4X12	10	2
24	23001181	RETAINING RING (DIA. 8)	10	1
25	23002279	BOLT (M6X20)	10	4

*Color Code (-)=Not Shown #=Series, Serial Prefix or Run No., N=Not Available

Section: DOOR LOCK

Model: MFR18PDCWS



21-Feb-05
521 450

CW10-78

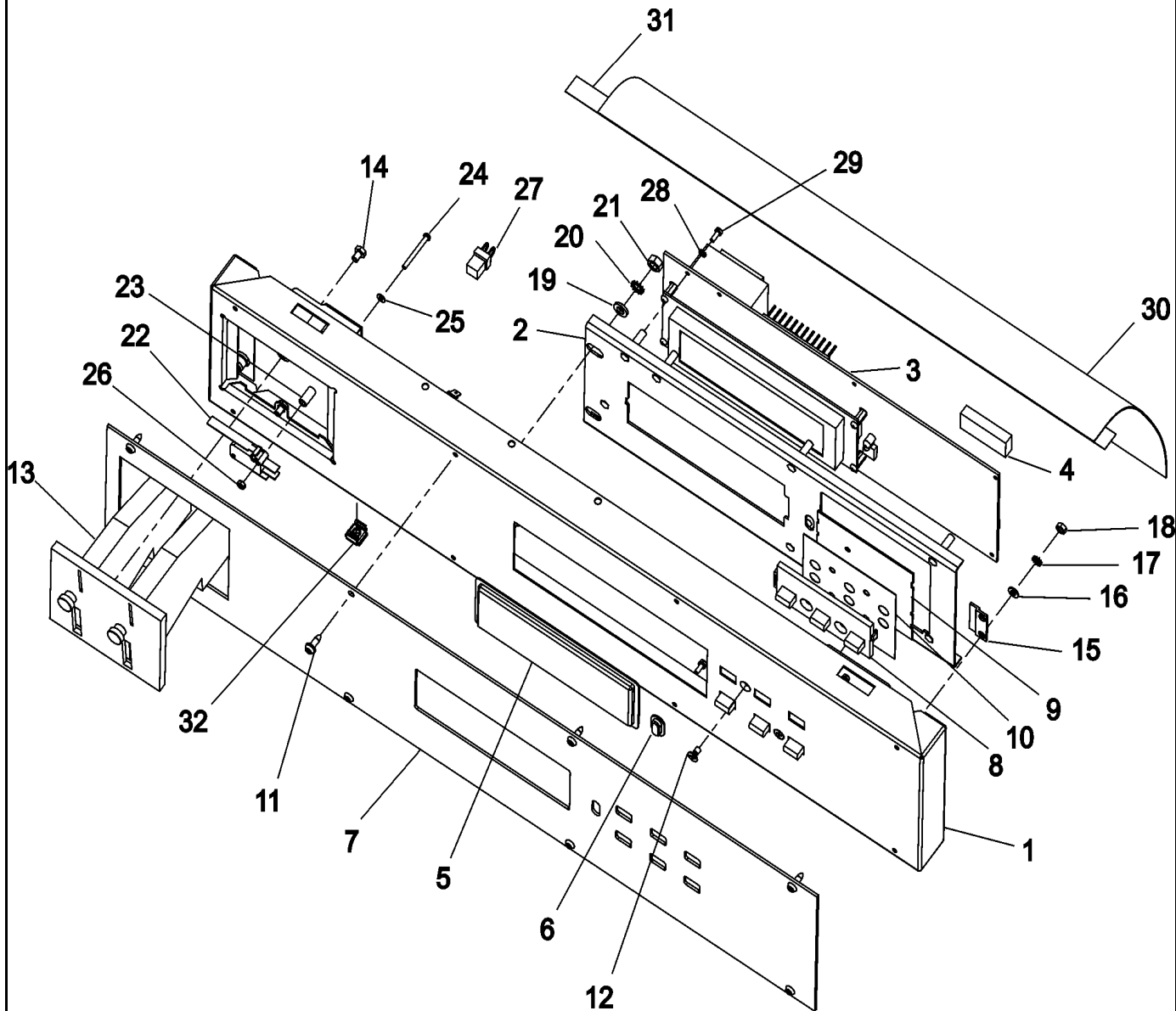
Section: DOOR LOCK

No.	Part No.	Description	Series	Qty
1	Y23002897	LOCK, DOOR (COMPLETE)	10	1
2	23001156	SPACER, LOCK	10	1
4	Y23002898	GROUND, PLATE LOCK	10	1
5	23003863	PLATE, MICROSWITCH	10	1
6	23001145	MICROSWITCH, LONG LEVER	10	1
7	23001135	BIMETAL, ACTUATOR (230V)	10	1
8	23002479	PASSAGE, CABLE	10	1
9	23001146	COIL (240V)	10	2
10	23001149	LEAF SPRING, LATCH BAR	10	1
11	23001137	RING, RETAINING (G10)	10	1
12	23001140	BAR, LOCKING	10	1
13	23002903	SPRING, LOCKING PART	10	1
14	23002900	SPRING, LOCKING PART	10	1
15	23002899	HANDLE, LOCKING PART	10	1
16	23001368	SHIM, HINGE BASE	10	4
17	N 23002902	LEVEL, OPENING	10	1
18	23001130	PLATE, COVER (STNLS STEEL)	10	1
19	23001142	RETAINER, LOCK TUBE (DIA.4X45)	10	1
20	23001143	LOCK TUBE (DIA. 4X23.5 STNLS)	10	1
21	23002337	MICROSWITCH W/ ROLLER ARM	10	1
22	23003114	SCREW (M4X8) LU	10	2
23	23002869	SCREW (M3X6)	10	4
24	23003115	SCREW (M3X14)	10	5
25	23003784	BOLT M5X25 STS STL	10	2
26	23002422	SCREW (M6 X 12)	10	3
27	23003113	SCREW (M3X6)	10	7
28	23002424	WASHER	10	3
29	23002130	WASHER (6)	10	3
30	23001136	WASHER (DIA. 5.1 X 3.3 X 0.1)	10	2
31	23002901	CORD, OPENING	10	1
32	23002905	WIRING, DOOR LOCK	10	1

*Color Code (-)=Not Shown #=Series, Serial Prefix or Run No., N=Not Available

Section: CONTROL PANEL

Model: MFR18PDCWS



23-Feb-05
520 784

CW11-94

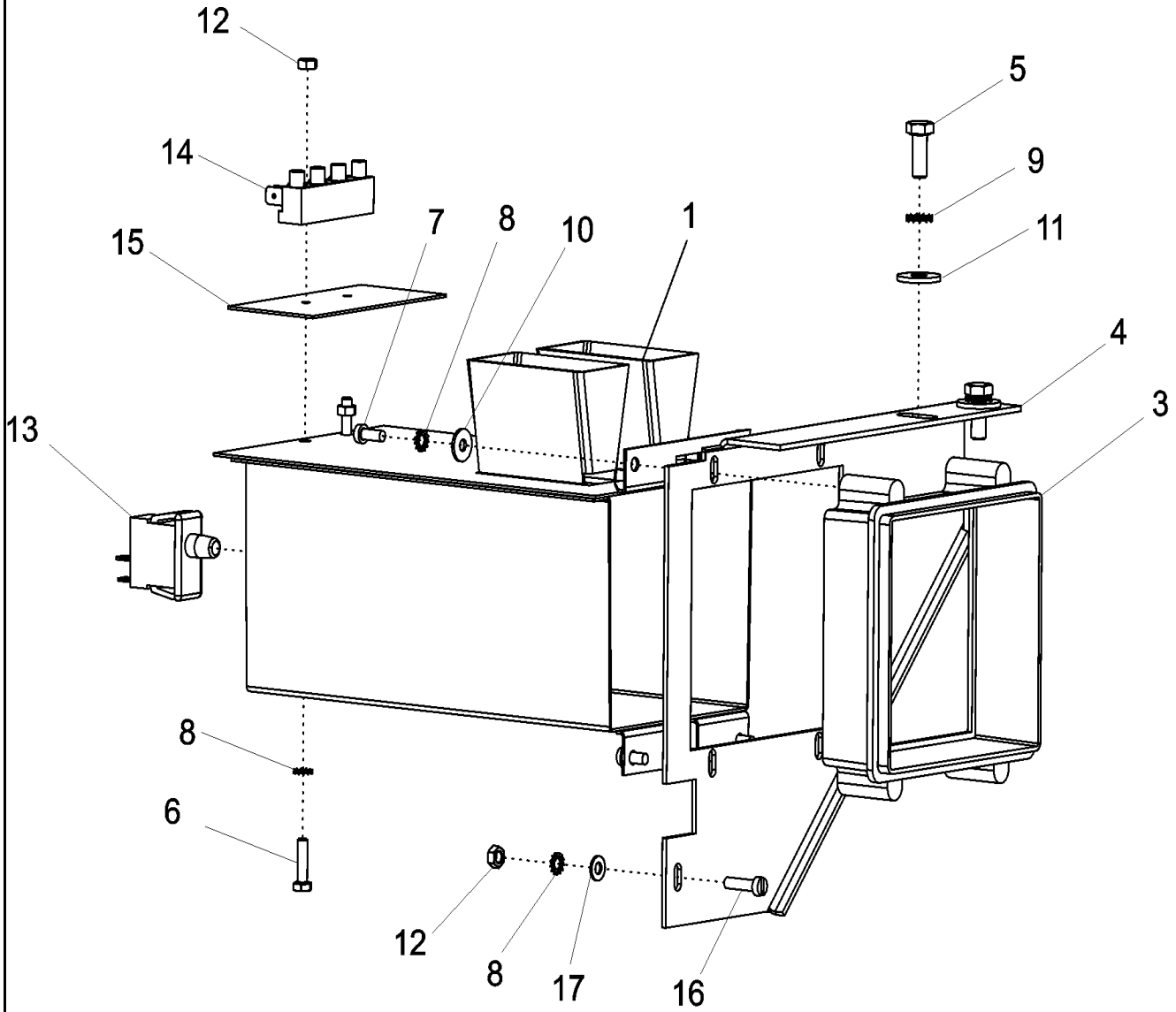
Section: CONTROL PANEL

No.	Part No.	Description	Series	Qty
1	23004302	BRACKET, CONTROL PANEL LU	10	1
2	23004117	BRACKET, CONTROL BOARD LU	10	1
3	23004118	CONTROL BOARD	10	1
4	23003992	MCG EEPROM CHIP LU	10	1
5	23004119	DISPLAY LENS	10	1
6	23004120	LENS, IR	10	1
7	23004303	CONTROL PANEL, FACIA MFR18 LU	10	1
8	23003646	BUTTONS, ROW OF 3	10	2
9	23004122	KEY BOARD	10	1
10	23004123	HOLD PLATE	10	1
11	23003810	SCREW	10	8
12	23003811	SCREW	10	2
-	23004167	OPTIC SWITCH	10	1
13	23004075	DUAL COIN DROP CANADA	10	1
13	23004124	COIN DROP 25 US	10	1
14	23003797	BOLT	10	2
15	23004125	Z-BRACKET	10	2
16	23002438	WASHER (M6)	10	4
17	23002950	LOCKWASHER (M4)	10	4
18	23003666	NUT (M4)	10	4
19	23003778	WASHER 12	10	2
20	23002756	WASHER	10	2
21	23003773	NUT M6	10	2
22	23001145	MICROSWITCH, LONG LEVER	10	1
23	23003653	TUBE	10	2
24	23003652	SCREW, SWITCH	10	2
25	23003654	WASHER (M3)	10	2
26	23002958	NUT (M3)	10	2
27	23004127	EMERGENCY STOP INTERCONNECT	10	1
28	23002865	LOCK WASHER (M3)	10	7
29	23004061	SCREW M3 X 8	10	7
30 N	23002877	COVER, PLASTIC	10	1
31	23004126	DOUBLE SIDE TAPE	10	1
32	23002455	NUT, RAPID (M6)	10	1
-	23004513	KIT, CONVERT PD TO PN	10	1

*Color Code (-)=Not Shown #=Series, Serial Prefix or Run No., N=Not Available

Section: COIN VAULT

Model: MFR18PDCWS



23-Feb-05
520 789

CW11-96

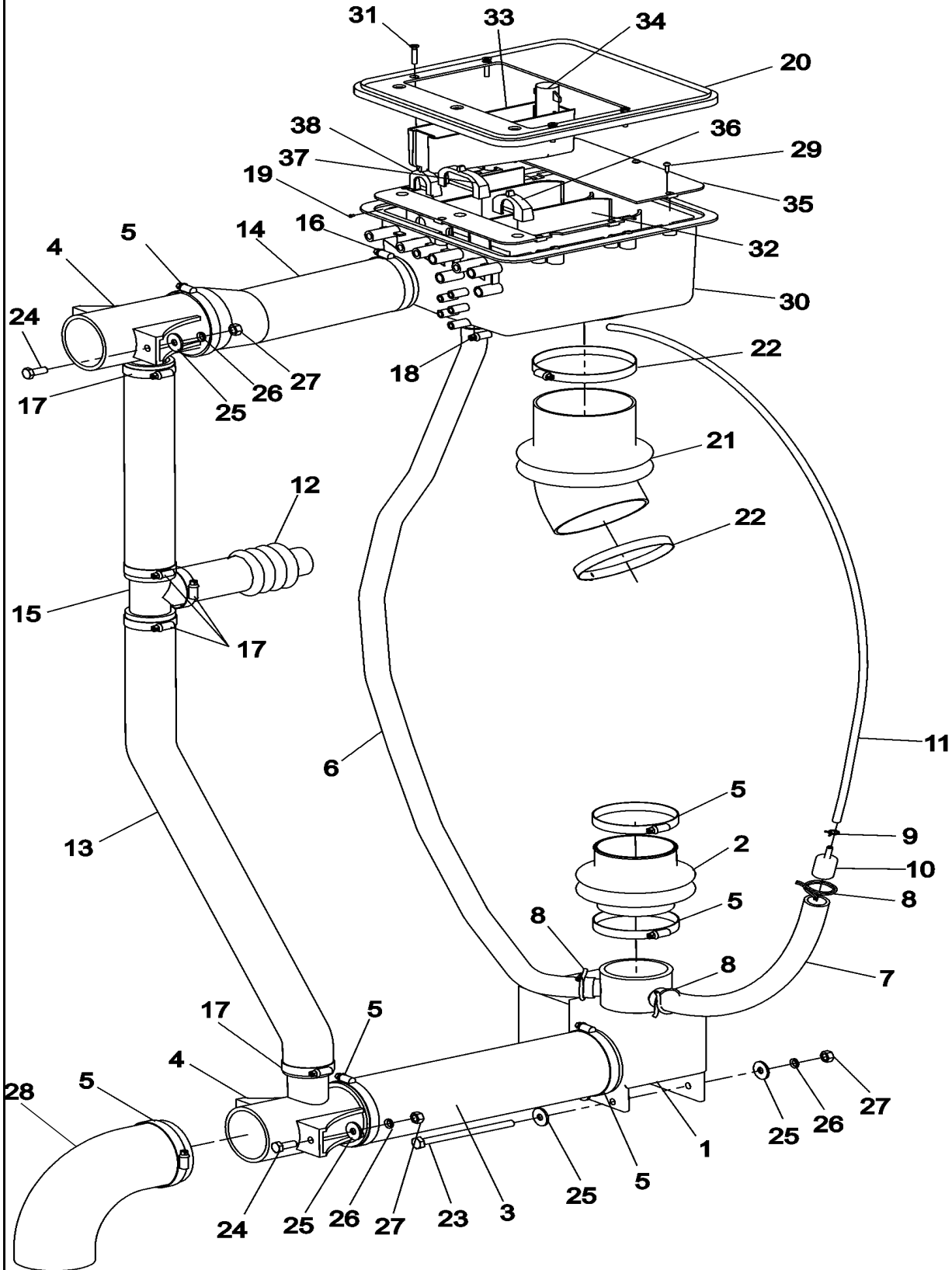
Section: COIN VAULT

No.	Part No.	Description	Series	Qty
1	23003974	VAULT, COIN MFR18/25	10	1
3	23003775	ORNAMENTAL PART COIN VAULT	10	1
4	23003776	SUPPORT, COIN VAULT(MFR18)	10	1
5	23002461	SCREW (M6 X16)	10	1
6	23004095	BOLT M4 X 16	10	2
7	23002423	SCREW (M4 X 10)	10	4
8	23002950	LOCKWASHER (M4)	10	7
9	23002756	WASHER	10	1
10	23002504	WASHER	10	4
11	23003012	WASHER LU	10	1
12	23003666	NUT (M4)	10	3
13	23003656	SWITCH, COIN BOX	10	1
14	23001113	CONNECTOR HOUSING (4 POLE)	10	1
15	23001115	INSULATION PAPER	10	1
16	23001012	SCREW (M4 X 12 STNLS STEEL)	10	1
17	23002438	WASHER (M6)	10	1

*Color Code (-)=Not Shown #=Series, Serial Prefix or Run No., N=Not Available

Section: SOAP BOX, DRAIN AND HOSE ASY

Model: MFR18PDCWS



24-Feb-05
520 788

CW16-30

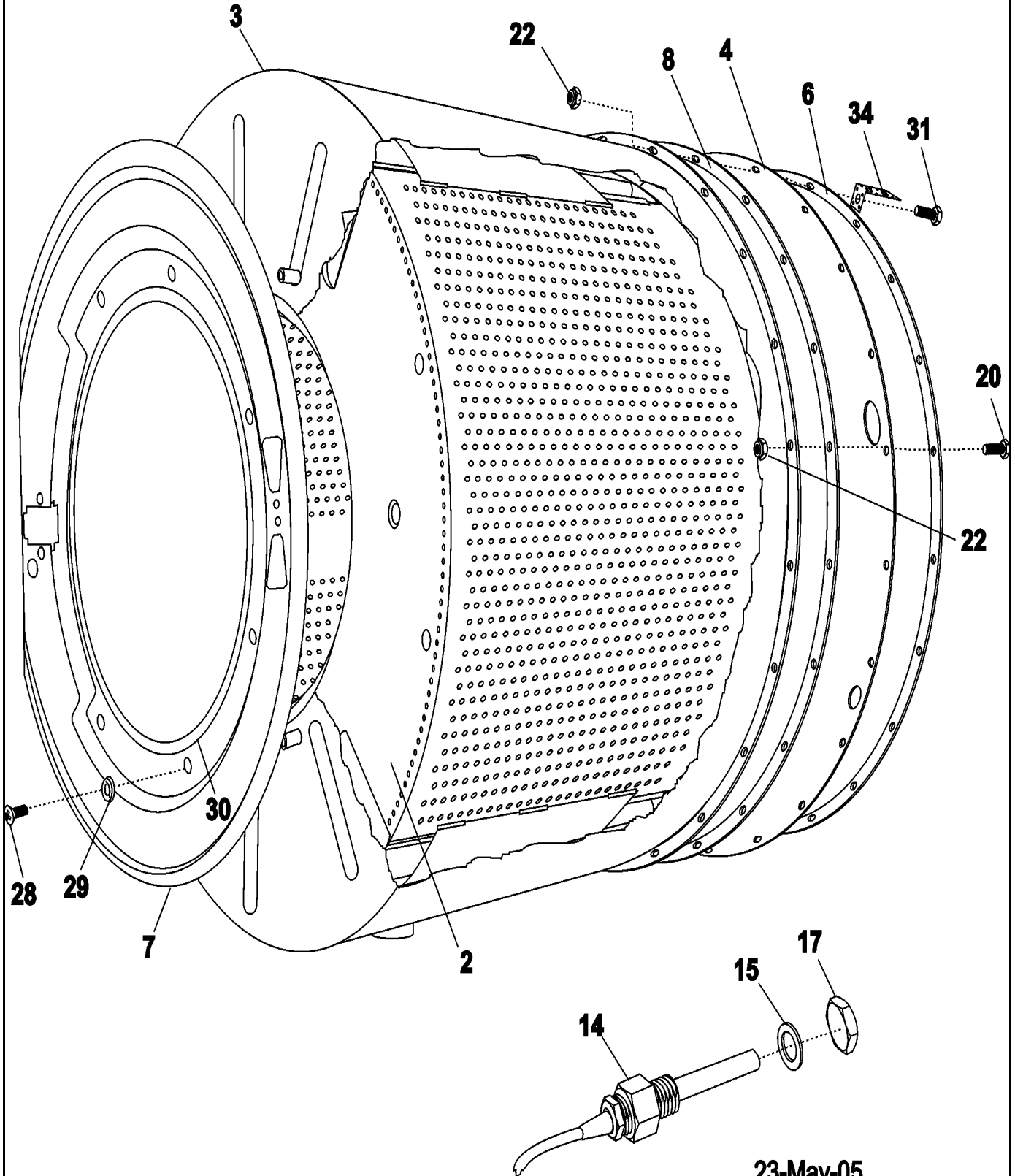
Section: SOAP BOX, DRAIN AND HOSE ASY

No.	Part No.	Description	Series	Qty
1	23001244	VALVE, DRAIN (240V-50/60HZ)	10	1
2	23002907	TUB, OUTLET VALVE HOSE	10	1
3	23001248	HOSE, DRAIN	10	1
4	23001253	DRAIN TEE	10	2
5	23001258	CLAMP, HOSE (70-90)	10	6
6	23001549	HOSE, OUTLET (SOAPHOPPER) LU	10	1
7	23001247	HOSE, AIR DOME (30 CM)	10	1
8	23001259	CLAMP, CORBIN (A17.5)	10	3
9	23001257	CLAMP, CORBIN (A5.5)	10	1
10	23001260	BUSHING, AIR DOME HOSE	10	1
11	23001252	HOSE, WATER LEVEL SWITCH	10	1
12	23001250	HOSE, AIR VENT	10	1
13	23001251	HOSE, OVERFLOW	10	1
14	23001254	AIR VENT HOSE, SOAP BOX	10	1
15	23001255	TEE, OVERFLOW HOSE	10	1
16	23001256	CLAMP, HOSE (60-80)	10	1
17	23001750	RING, CLAMP (40-60)	10	5
18	23001262	CLAMP, HOSE (20-32)	10	1
19	23003783	SCREW 2	10	3
20	23001015	RUBBER SEAL, SOAP BOX	10	1
21	23004115	RUBBER, TUB SOAP HOPPER	10	1
22	23001025	CLAMP, HOSE (DIA 90/110)	10	2
23	23002908	SCREW (M8X120)	10	2
24	23002475	BOLT (M8X20)	10	4
25	23002437	WASHER (M8)	10	8
26	23002439	WASHER, SPRING LOCK (8)	10	6
27	N 23003766	NUT M8	10	6
28	23002015	ELBOW (90 DEGREE)	10	1
29	23003782	SCREW 3 STAINLESS STEEL LU	10	7
30	23001016	SOAP BOX HOUSING	10	1
31	23003484	SCREW (M5X16)	10	4
32	23001017	SOAP BOX INSERT	10	1
33	23001019	TRAY	10	1
34	23001018	SIPHON	10	1
35	23001020	COVER, PLATE	10	1
36	23001021	DRAWER, PREWASH	10	1
37	23001022	DRAWER, MAIN WASH	10	1
38	23001023	DRAWER, LAST RINSE	10	1

*Color Code (-)=Not Shown #=Series, Serial Prefix or Run No., N=Not Available

Section: BASKET AND OUTER TUB

Model: MFR18PDCWS



**23-May-05
504 626C**

CW17-55

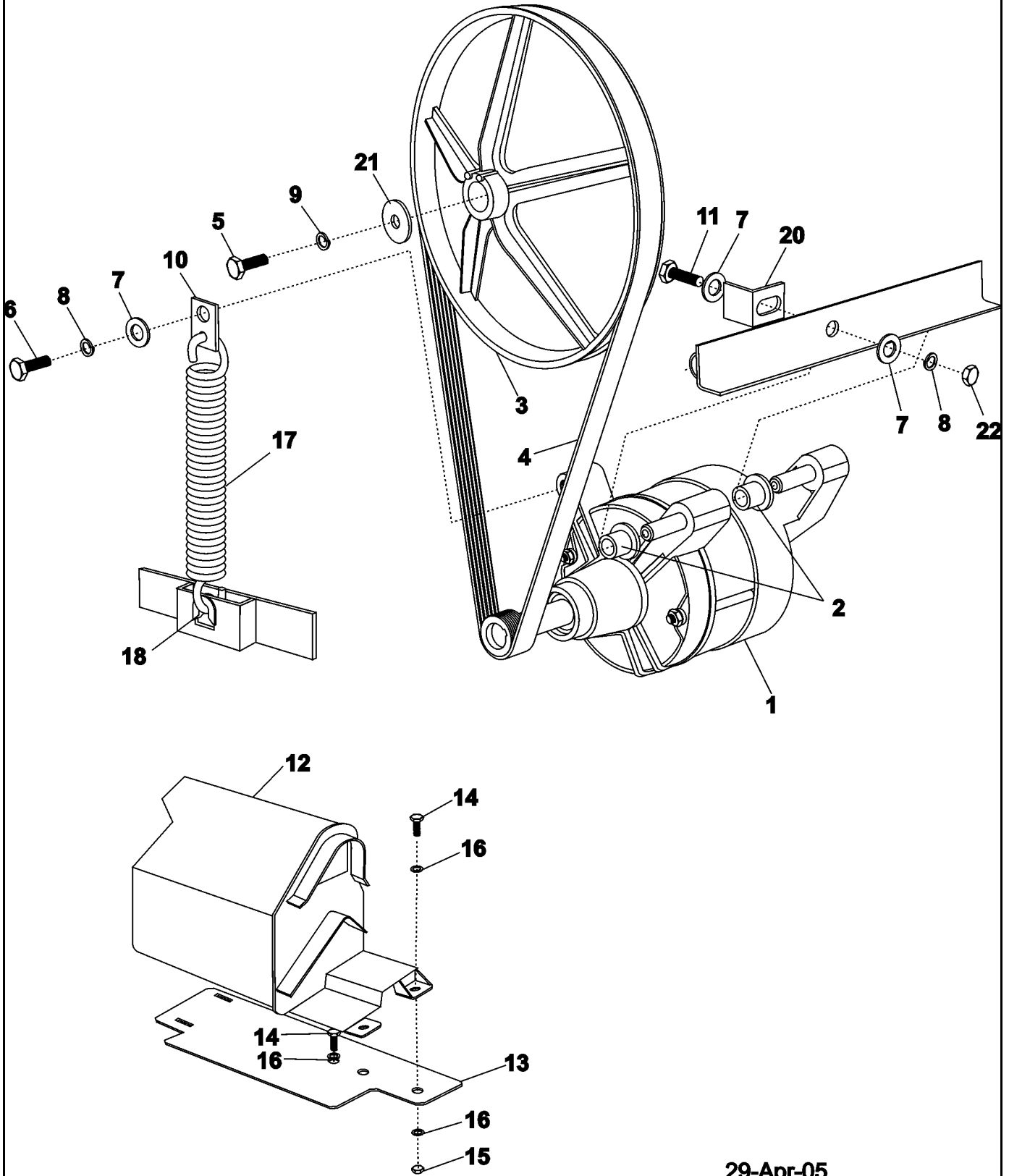
Section: BASKET AND OUTER TUB

No.	Part No.	Description	Series	Qty
2	23004305	INNER TUB AND SHAFT MFR18	10	1
3	23003806	TUB (ROUND DOOR) (MFR18)	10	1
4	23003790	PLATE BASE WITHOUT/HOLES	10	1
6	N 23003343	RING	10	1
7	N 23001385	SHIELD	10	1
8	23001387	GASKET, SHELL (REAR)	10	1
14	23003807	HOLDER THERMOSTAT SENSOR	10	1
15	23002179	WASHER	10	1
17	23002936	NUT, SENSOR BUSHING	10	1
20	23002646	SCREW (M8 X 40)	10	1
22	23001607	NUT (M8)	10	12
28	23002617	SCREW (M4X8)	10	6
29	23001204	WASHER, FINISHING (DIA. 5)	10	6
30	23002473	RUBBER, PROTECTIVE	10	1
31	23003765	BOLT M8X35	10	11
34	23003791	PLATE,MOTOR WIRING FIXATION	10	1

*Color Code (-)=Not Shown #=Series, Serial Prefix or Run No., N=Not Available

Section: MOTOR AND DRIVE ASY

Model: MFR18PDCWS



29-Apr-05
513 348A

CW23-09

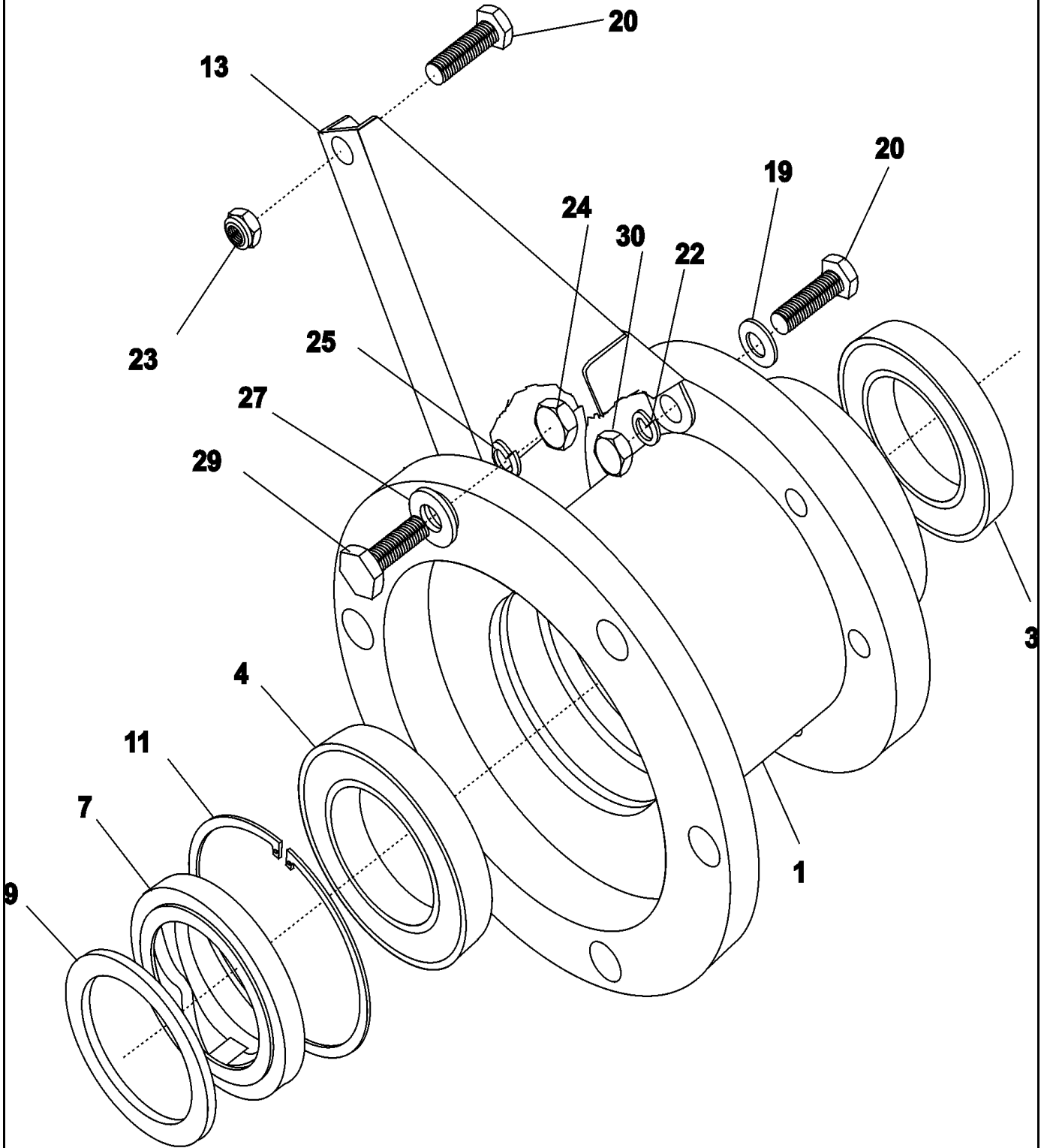
Section: MOTOR AND DRIVE ASY

No.	Part No.	Description	Series	Qty
1	23004077	MOTOR 240V 3PHASE	10	1
2	23004307	BUSHING RUBBER, MOTOR	10	2
3	23004308	V-PULLEY	10	1
4	23004309	BELT	10	1
5	23003332	BOLT (M12-1.75 X 25)	10	1
6	23004310	BOLT 5/16 X 1 1/4	10	1
7	23003769	WASHER M8	10	3
8	23002439	WASHER, SPRING LOCK (8)	10	2
9	23002658	WASHER (12)	10	1
10	23004311	SPRING HOLDER	10	1
11	23002475	BOLT (M8X20)	10	1
12	23004076	INVERTER AKO .6KW 1PHASE LU	10	1
13	23004312	BRACKET, MOTOR CONTROL	10	1
14	23003714	BOLT M5X16	10	3
15	23002452	NUT (M4) LU	10	1
16	23002862	WASHER (5,3)	10	4
17	23001413	MOTOR, SPRING	10	1
18	23004258	BUSHING	10	1
20	23004313	MOTOR STOP	10	1
21	23001282	WASHER (DIA. 37 X 13 X 3)	10	1
22	23003764	NUT M10	10	1

*Color Code (-)=Not Shown #=Series, Serial Prefix or Run No., N=Not Available

Section: TRUNNION AND BEARINGS

Model: MFR18PDCWS



6/7 kg
15/18 lbs

29-Apr-05
504 628A

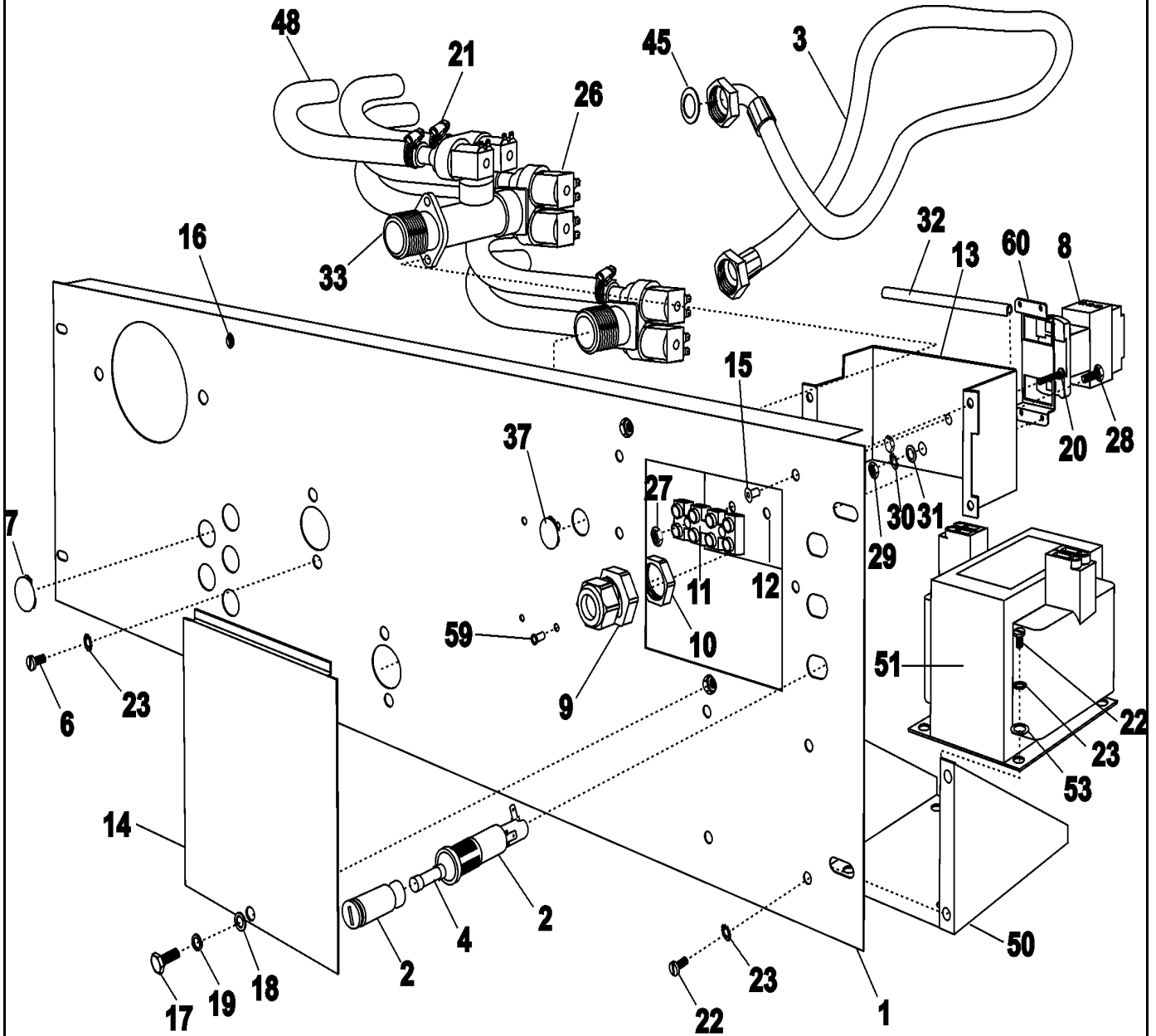
Section: TRUNNION AND BEARINGS

No.	Part No.	Description	Series	Qty
1	23003795	TRUNNION (CASTING ONLY)	10	1
3	23001391	BEARING (REAR)	10	1
4	23001232	BEARING (REAR)	10	1
7	23001393	SEAL, WATER	10	1
9	23001395	RING, SEAL	10	1
11	23001396	SNAP RING, INTERNAL LU	10	1
13	23003368	SPOKE	10	6
19	23002437	WASHER (M8)	10	6
20	23003765	BOLT M8X35	10	18
22	23002439	WASHER, SPRING LOCK (8)	10	6
23	23001607	NUT (M8)	10	12
24	23003764	NUT M10	10	6
25	23002654	WASHER (10)	10	6
27	23001201	WASHER (DIA. 22X11X1 BRASS)	10	6
29	23003354	BOLT (M10X25)	10	6
30 N	23003766	NUT M8	10	6

*Color Code (-)=Not Shown #=Series, Serial Prefix or Run No., N=Not Available

Section: REAR PANEL AND VALVES

Model: MFR18PDCWS



21-Jun-05
516 538

CW22-06

Section: REAR PANEL AND VALVES

No.	Part No.	Description	Series	Qty
1	23004314	REAR BRIDGE	10	1
2	23001462	HOLDER, FUSE	10	3
3	23001523	HOSE, CONNECTION	10	2
4	23004315	FUSE 0.5A	10	1
4	23004320	FUSE 2.5A	10	2
6	23002423	SCREW (M4 X 10)	10	6
7	23002795	PLUG	10	5
8	23003750	CONTACTOR LC1 DO9	10	1
9	23002196	SWIVEL, CABLE	10	1
10	23002197	NUT	10	1
11	23002923	BOARD, TERMINAL	10	1
12	23004159	ELECTRO-INSUL FOIL	10	1
13	23004160	TERM BOARD BOX	10	1
14	23003661	TERMINAL COVER LU	10	1
15	23004105	RIVET 4X6,3	10	4
16	23004092	NUT M6	10	3
17	23002461	SCREW (M6 X16)	10	1
18	23003778	WASHER 12	10	1
19	23002440	WASHER, SPRING LOCK (6)	10	1
20 N	23002807	SCREW (M4 X 20)	10	2
21	23001506	CLAMP, HOSE	10	12
22	23002398	SCREW (M4X16)	10	1
23	23002111	WASHER (4)	10	9
26	23001455	VALVE, TWO WAY (220V 50/60HZ)	10	3
27	23003666	NUT (M4)	10	5
28	23002806	SCREW (M6 X 25)	10	2
29	23002651	NUT (M6)	10	6
30	23002425	WASHER, LOCK	10	4
31	23002424	WASHER	10	6
32	23002473	RUBBER, PROTECTIVE	10	1
33	23002924	T-PART (3/4)	10	1
37	23003785	PLUG	10	1
45	23002921	WASHER, FILL HOSE	10	2
48	23001507	WATERHOSE (GREEN)	10	1
50	23004316	BRACKET, TRANSFORMER	10	1
51	23004317	TRANSFORMER 120/230V	10	1
53	23002504	WASHER	10	4
-	23004318	HARNESS, MAIN	10	1
-	23004163	DOOR LOCK HARNESS	10	1
-	23004139	EMERGENCY STOP HARNESS	10	1
-	23004127	EMERGENCY STOP INTERCONNECT	10	1
-	23004164	CONNECTOR LIQ SOAP LU	10	1
-	23004319	MOTOR CABLE	10	1
59	23002362	RIVET W/CRANK	10	4
60	23004161	BRACKET, CONTACTOR	10	1

*Color Code (-)=Not Shown #=Series, Serial Prefix or Run No., N=Not Available

