

Repair Parts List

MODEL NUMBER
MAT12PSDAW

WASHER

When requesting service or ordering parts, always provide the following information:

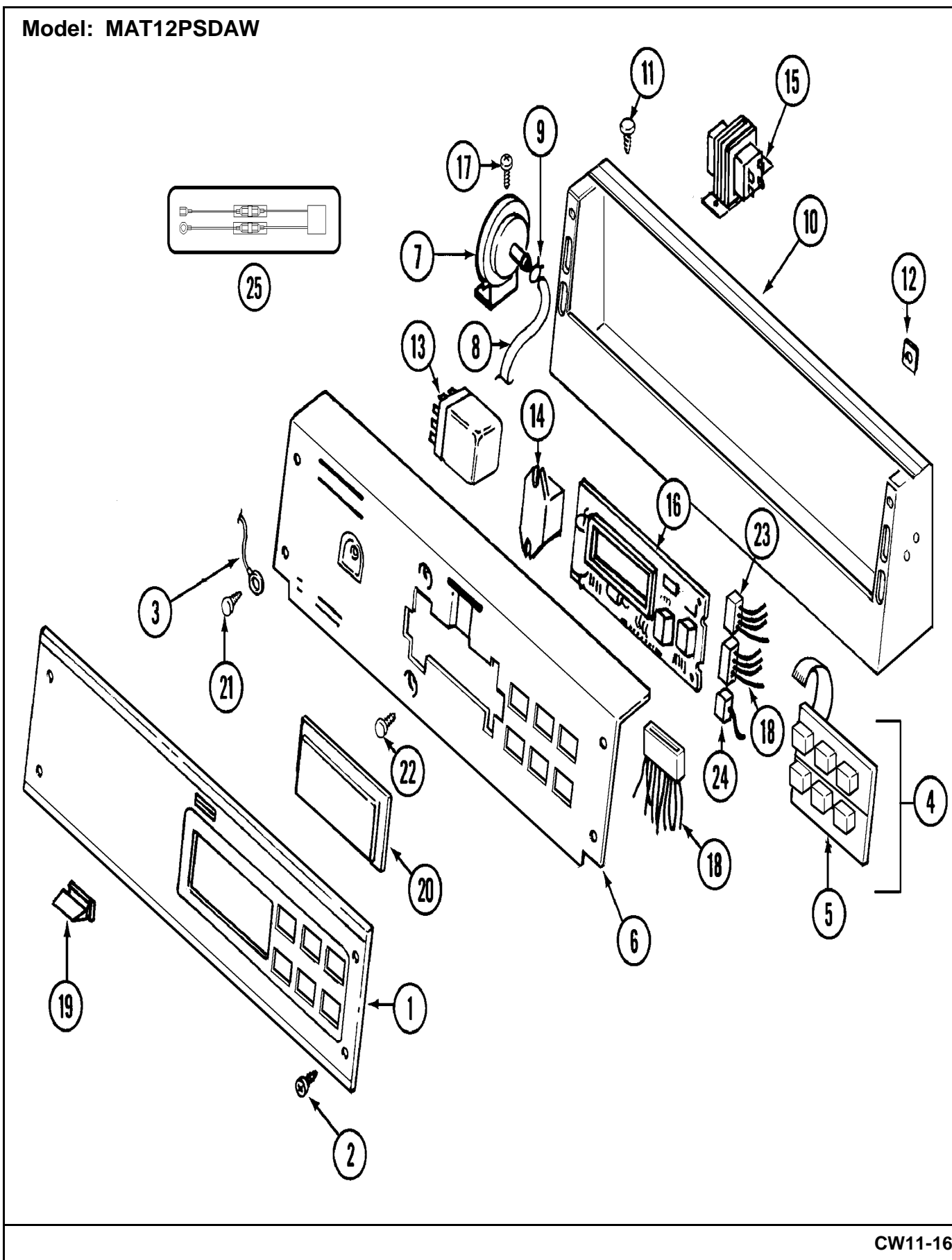
- Product Type
- Part Number
- Model Number
- Part Description

MAYTAG®

©2005 Maytag Services

Section: CONTROL PANEL

Model: MAT12PSDAW



CW11-16

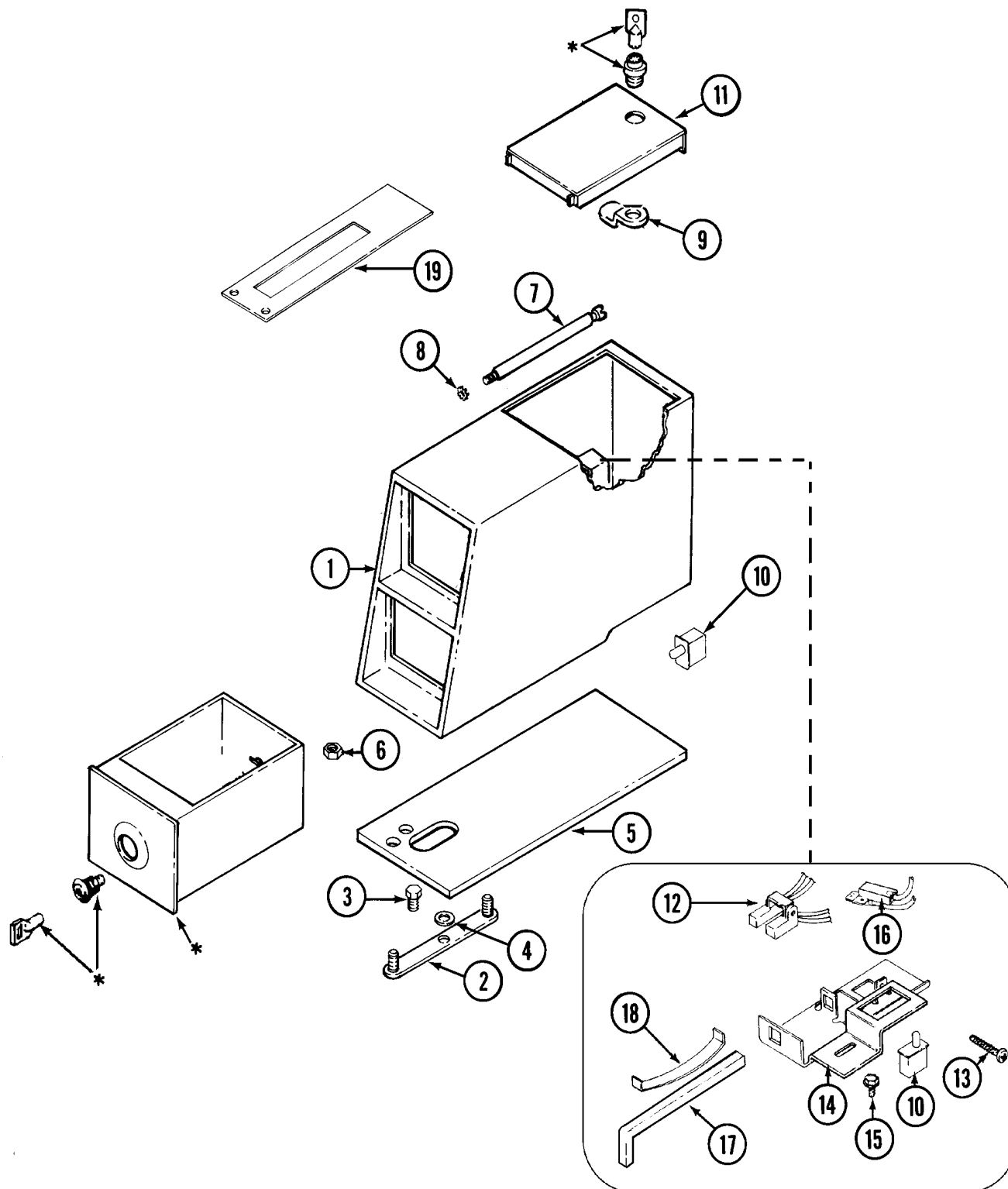
Section: CONTROL PANEL

| No. | Part No. | Description | Series | Qty |
|-----|----------|---|--------|-----|
| 1 | 22004305 | FACIA, PD/PS (CONTROL PANEL) | 10 | 1 |
| 2 | 215506 | SCREW, TORX Note: SCREW, CONTROL PANEL | 10 | 4 |
| 3 | 22001959 | WIRE, GROUND | 10 | 1 |
| 4 | 206808 | CONTROL SWITCH ASSY. Note: CONTROL SWITCH ASSEMBLY | 10 | 1 |
| - | 215527 | SCREW Note: SCREW, SWITCH | 10 | 2 |
| 5 | 33002863 | BUTTON, PUSH | 10 | 2 |
| 6 | 22003099 | BRACKET, BACK (WHT) | 10 | 1 |
| 7 | 22001308 | SWITCH, WATER LEVEL | 10 | 1 |
| 8 | 22001619 | TUBE, AIR | 10 | 1 |
| 9 | 410296 | CLAMP,WATER LEVEL SWTCH TUBE | 10 | 1 |
| 10 | 22003091 | CONSOLE (WHT) | 10 | 1 |
| 11 | 212276 | SCREW Note: SCREW, CONSOLE | 10 | 2 |
| 12 | 215003 | FASTENER Note: CLIP, SCREW | 10 | 2 |
| 13 | 206421 | RELAY-MOTOR REVERSING | 10 | 1 |
| - | 22001866 | SCREW, RELAY | 10 | 1 |
| 14 | 22004151 | RELAY, SPST | 10 | 1 |
| - | 313588 | SCREW | 10 | 2 |
| 15 | 22001960 | TRANSFORMER | 10 | 1 |
| - | 33001204 | STANDOFF, CIRCUIT BOARD | 10 | 4 |
| 16 | 22004222 | COMMERCIAL D.C. CONTROL BOARD | 10 | 1 |
| - | 22002954 | DEFLECTOR, WATER (W/ADHESIVE) | 10 | 1 |
| - | 912077 | LOCKNUT | 10 | 4 |
| 17 | 211168 | SCREW, #8 X 5/16 INCH | 10 | 2 |
| 18 | 22004387 | HARNESS, MAIN | 11 | 1 |
| 18 | 22002986 | WIRE HARNESS, MAIN | 10 | 1 |
| 19 | 214610 | BUMPER, LID Note: BUMPER, LID | 10 | 1 |
| 20 | 22001962 | COVER, DISPLAY | 10 | 1 |
| 21 | 210186 | SCREW, GROUND WIRE TO BASE--NA Note: SCREW, GROUND WIRE | 10 | 1 |
| 22 | 215526 | SCREW Note: SCREW, CONTROL BOARD | 10 | 2 |
| 23 | 22001965 | SWITCH ASSY., OPTIC | 10 | 1 |
| 24 | 22001965 | SWITCH ASSY., OPTIC | 10 | 1 |
| 25 | 12001277 | KIT, SURGE SUPPRESSOR | 10 | 1 |

*Color Code (-)=Not Shown #=Series, Serial Prefix or Run No., N=Not Available

Section: CONTROL CENTER

Model: MAT12PSDAW



*CONTACT YOUR COMMERCIAL LAUNDRY DISTRIBUTOR

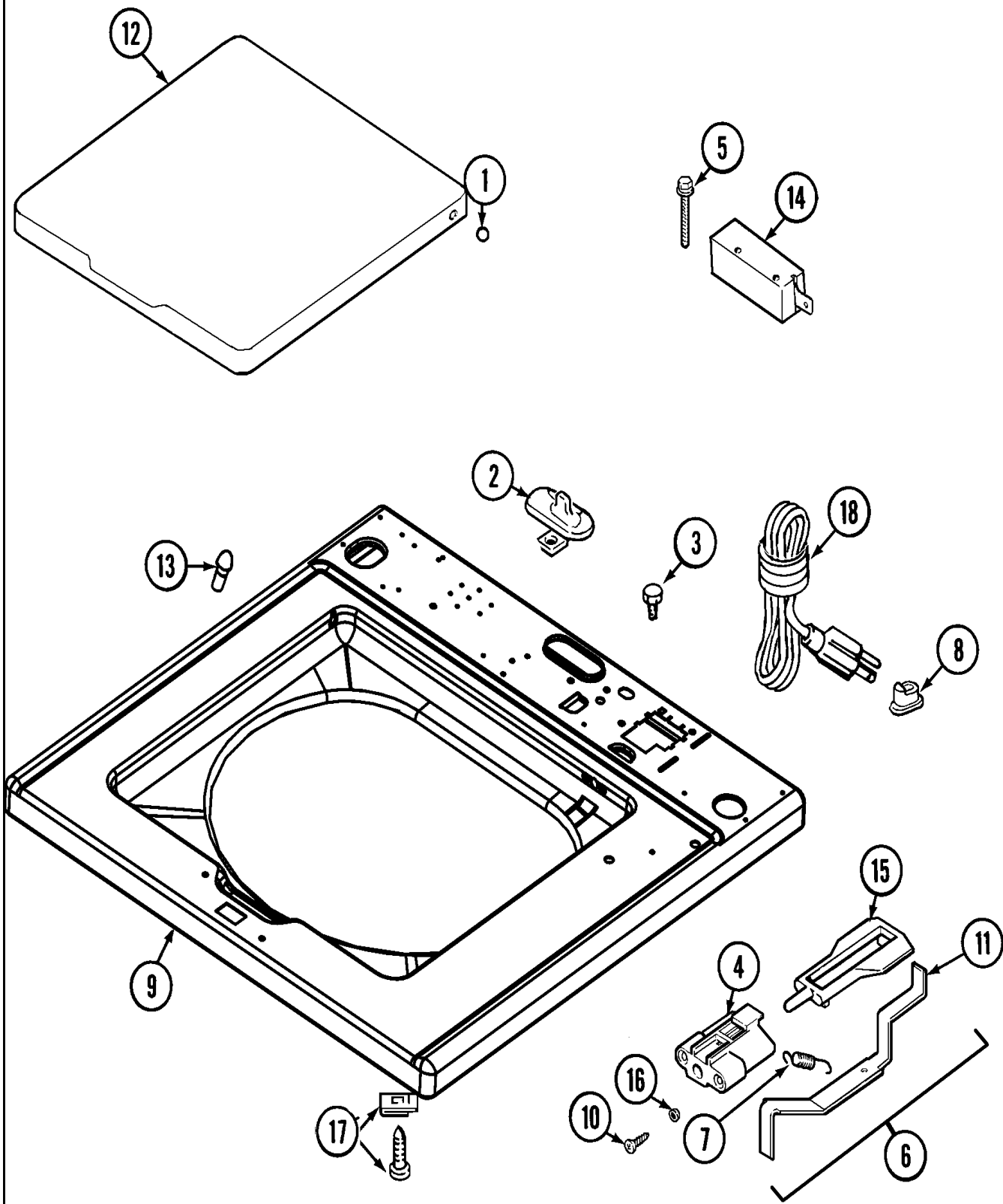
Section: CONTROL CENTER

| No. | Part No. | Description | Series | Qty |
|-----|----------|--|--------|-----|
| 1 | 22002478 | VAULT, COIN (WHT)CS | 10 | 1 |
| 2 | 22001810 | STRAP, MOUNTING | 10 | 1 |
| 3 | 211294 | SCREW Note: SCREW, MOUNTING STRAP | 10 | 1 |
| 4 | 910309 | WASHER Note: WASHER, STRAP SCREW | 10 | 1 |
| 5 | 22001870 | GASKET, COIN VAULT (WHT) | 10 | 1 |
| 6 | Y052740 | NUT Note: NUT, CASE MOUNTING | 10 | 2 |
| 7 | 22001903 | LOCKING BOLT, COIN SLIDE | 10 | 1 |
| 8 | 910387 | LOCK WASHER Note: LOCKWASHER, LOCKING BOLT | 10 | 1 |
| 9 | 22003677 | LOCKING CAM | 10 | 1 |
| 10 | 33001250 | SWITCH, SENSOR | 10 | 2 |
| - | 912012 | SCREW Note: SCREW, SENSOR SWITCH | 10 | 2 |
| 11 | 22003679 | TIMER ACCESS DOOR ASSY (WHITE) | 10 | 1 |
| 12 | 22001965 | SWITCH ASSY., OPTIC | 10 | 1 |
| 13 | 314665 | SCREW Note: SCREW, OPTIC SWITCH | 10 | 1 |
| 14 | 33001253 | BRACKET, SENSOR SWITCH | 10 | 1 |
| 15 | 212276 | SCREW Note: SCREW, SWITCH BRACKET | 10 | 1 |
| 16 | 22001966 | HARNESS, SENSOR SWITCH | 10 | 1 |
| 17 | 216442 | ROD, ACTUATOR | 10 | 1 |
| 18 | 33001252 | SPRING, SWITCH Note: SPRING, SWITCH ROD | 10 | 1 |
| 19 | 22001812 | ACTUATOR KIT, PS | 10 | 1 |

*Color Code (-)=Not Shown #=Series, Serial Prefix or Run No., N=Not Available

Section: TOP

Model: MAT12PSDAW



CW13-22

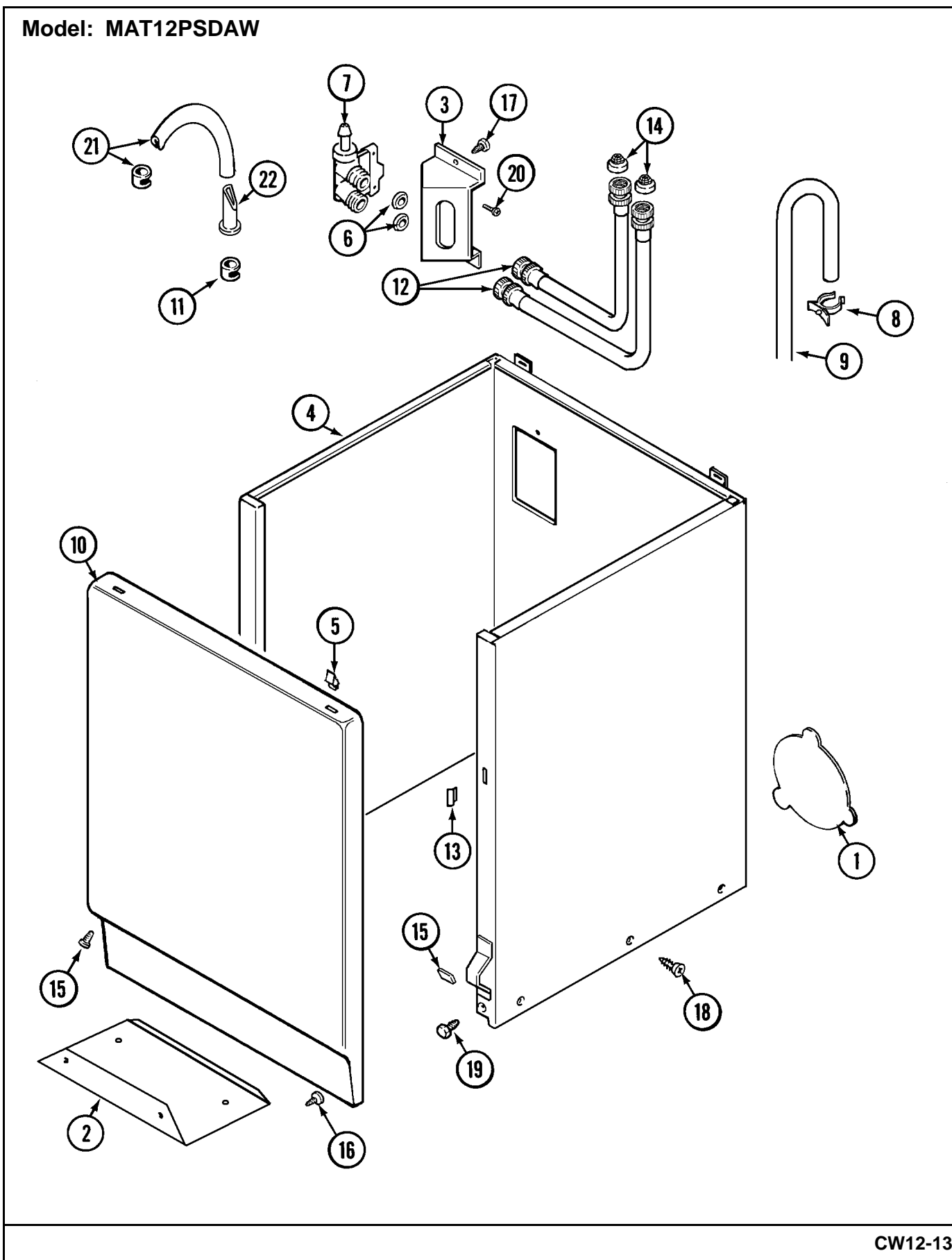
Section: TOP

| No. | Part No. | Description | Series | Qty |
|-----|----------|---|--------|-----|
| 1 | 211726 | HINGE, BALL | 10 | 2 |
| 2 | 22001298 | CAP, TOP COVER | 10 | 1 |
| - | 207159 | SCREW Note: SCREW, CAP | 10 | 1 |
| 3 | 210186 | SCREW, GROUND WIRE TO BASE--NA Note: SCREW, GROUND WIRE | 10 | 1 |
| 4 | 22002135 | BRACKET, UNBALANCE | 10 | 1 |
| 5 | 213501 | SCREW, #6-20 X 1-1/8 INCH Note: SCREW, LID SWITCH | 10 | 2 |
| 6 | 22001969 | UNBALANCE LEVER ASSEMBLY | 10 | 1 |
| 7 | 213720 | SPRING | 10 | 1 |
| 8 | 211881 | GROMMET, CORD | 10 | 1 |
| 9 | 22001970 | COVER ASSY., TOP (WHT) | 10 | 1 |
| 10 | 910182 | SCREW Note: SCREW, PLUNGER BRACKET | 10 | 2 |
| 11 | 22001672 | LEVER, UNBALANCE | 10 | 1 |
| 12 | 22001341 | LID W/LEGEND (WHT) Note: LID (W/LEGEND-WHT) | 10 | 1 |
| 13 | 212716 | BUMPER, LID | 10 | 2 |
| 14 | 22004243 | SWITCH, LID | 10 | 1 |
| 15 | 216255 | PLUNGER, UNBALANCE Note: PLUNGER, LID SWITCH | 10 | 1 |
| 16 | 211500 | WASHER,BRACKE TO TOP COVER Note: WASHER, BRACKET | 10 | 2 |
| 17 | 204445 | SCREW & FASTENER ASY. Note: SCREW & FASTENER ASSEMBLY | 10 | 2 |
| 18 | 22003027 | CORD, POWER (AS WRAP) | 10 | 1 |

*Color Code (-)=Not Shown #=Series, Serial Prefix or Run No., N=Not Available

Section: CABINET

Model: MAT12PSDAW



CW12-13

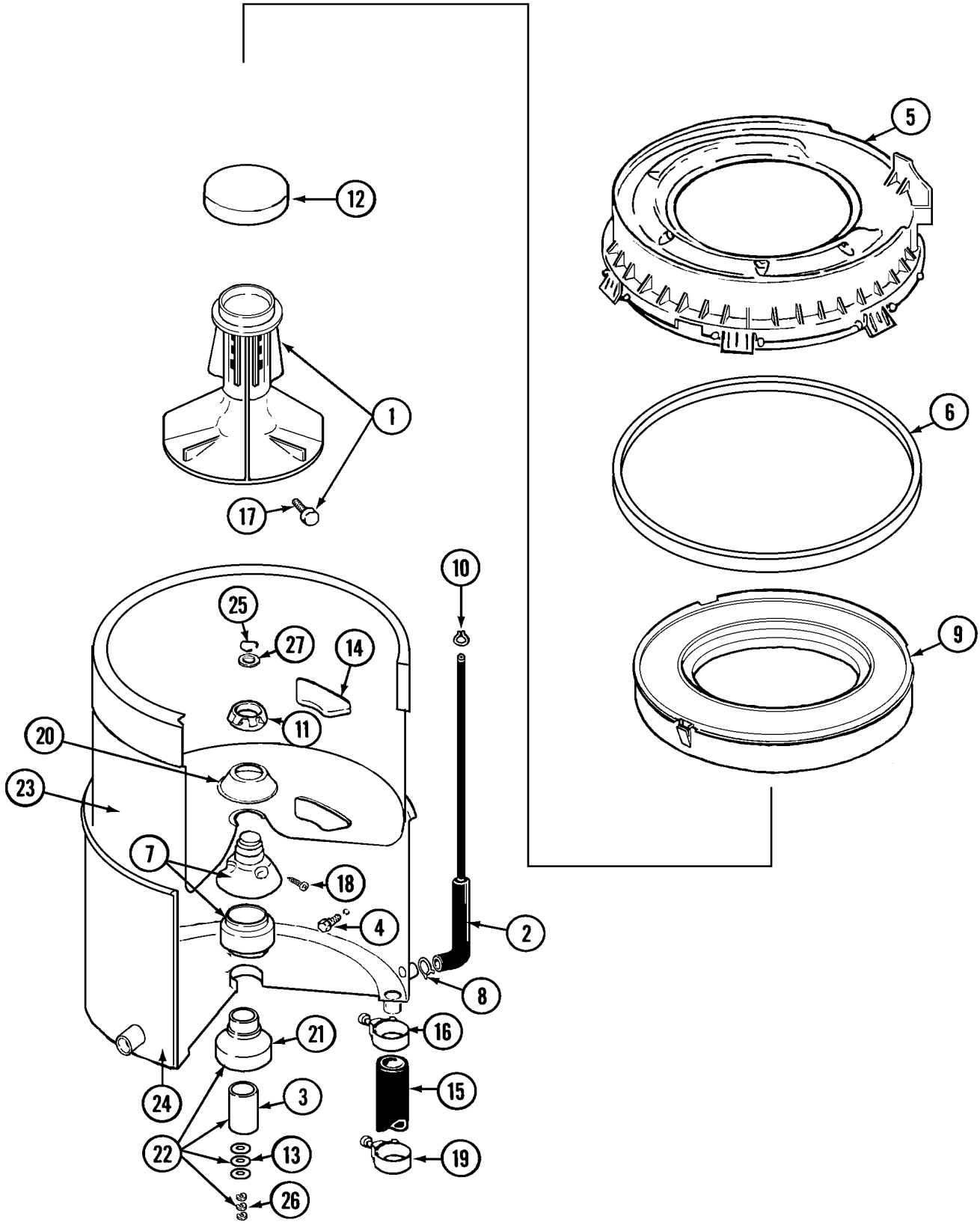
Section: CABINET

| No. | Part No. | Description | Series | Qty |
|-----|----------|--|--------|-----|
| 1 | N 211878 | PLATE, ACCESS | 10 | 1 |
| 1 | 22002924 | PLATE, COVER (W/HOLE) Note: PLATE, ACCESS (W/HOLE) | 10 | 1 |
| - | 211294 | SCREW Note: SCREW, PLATE | 10 | 2 |
| 2 | 213846 | GUARD, BELT | 10 | 1 |
| 3 | 22002361 | BRACKET, VALVE | 10 | 1 |
| - | 22002425 | BRACKET, "V" | 10 | 2 |
| 4 | 22004425 | CABINET WHT ASPACK | 15 | 1 |
| - | 22001995 | SCREW Note: SCREW, V-BRACKET | 10 | 4 |
| - | 22002382 | FASTENER, V-BRACKET | 10 | 4 |
| 4 | 22001302 | CABINET (WHT) | 10 | 1 |
| 5 | 22001650 | FASTENER, SPRING | 10 | 2 |
| 6 | Y013783 | GASKET, INLET HOSE Note: WASHER, INLET HOSE | 10 | 2 |
| 7 | 22001604 | VALVE, WATER 120V 60HZ | 10 | 1 |
| - | 205161 | CLAMP - 15/16" Note: CLAMP, WATER VALVE | 10 | 1 |
| 8 | 22002151 | CLIP, HOSE | 10 | 1 |
| - | 22003814 | RETAINER, DRAIN HOSE | 10 | 1 |
| 9 | 22003410 | HOSE, DRAIN | 10 | 1 |
| 10 | 22001803 | PANEL, FRONT (WHT) | 10 | 1 |
| 11 | 205161 | CLAMP - 15/16" Note: CLAMP, HOSE | 10 | 1 |
| 12 | 22003682 | INLET HOSE ASSY (COLD) | 10 | 1 |
| 12 | 22003683 | INLET HOSE ASSY (HOT) | 10 | 1 |
| 13 | 22002331 | SPACER | 10 | 2 |
| 14 | 22002960 | STRAINER, WASHER INLET | 10 | 2 |
| 15 | 213325 | CLIP, RETAINER | 10 | 2 |
| 15 | 22001496 | SCREW, TORX Note: SCREW, FRONT PANEL | 10 | 2 |
| 16 | 211294 | SCREW Note: SCREW, BELT GUARD | 10 | 3 |
| 17 | 22003817 | SCREW, SERRATED WASHER HEAD HX | 10 | 2 |
| 18 | 33002190 | SCREW (#10-3/8") | 10 | 3 |
| 19 | 213121 | SCREW Note: SCREW, CABINET | 10 | 3 |
| 19 | 213122 | SCREW,CBNT.TO FRNT OF BASE--NA Note: SCREW, CABINET | 10 | 2 |
| 20 | N 313561 | SCREW---NA Note: SCREW, WATER VALVE | 10 | 2 |
| 21 | 22001608 | INJECTOR HOSE & BACKFLOW ASSY. Note: INJECTOR HOSE & CLAMP KIT | 10 | 1 |
| 22 | 22001900 | PREVENTER, BACK FLOW | 10 | 1 |

*Color Code (-)=Not Shown #=Series, Serial Prefix or Run No., N=Not Available

Section: TUB

Model: MAT12PSDAW



CW17-5

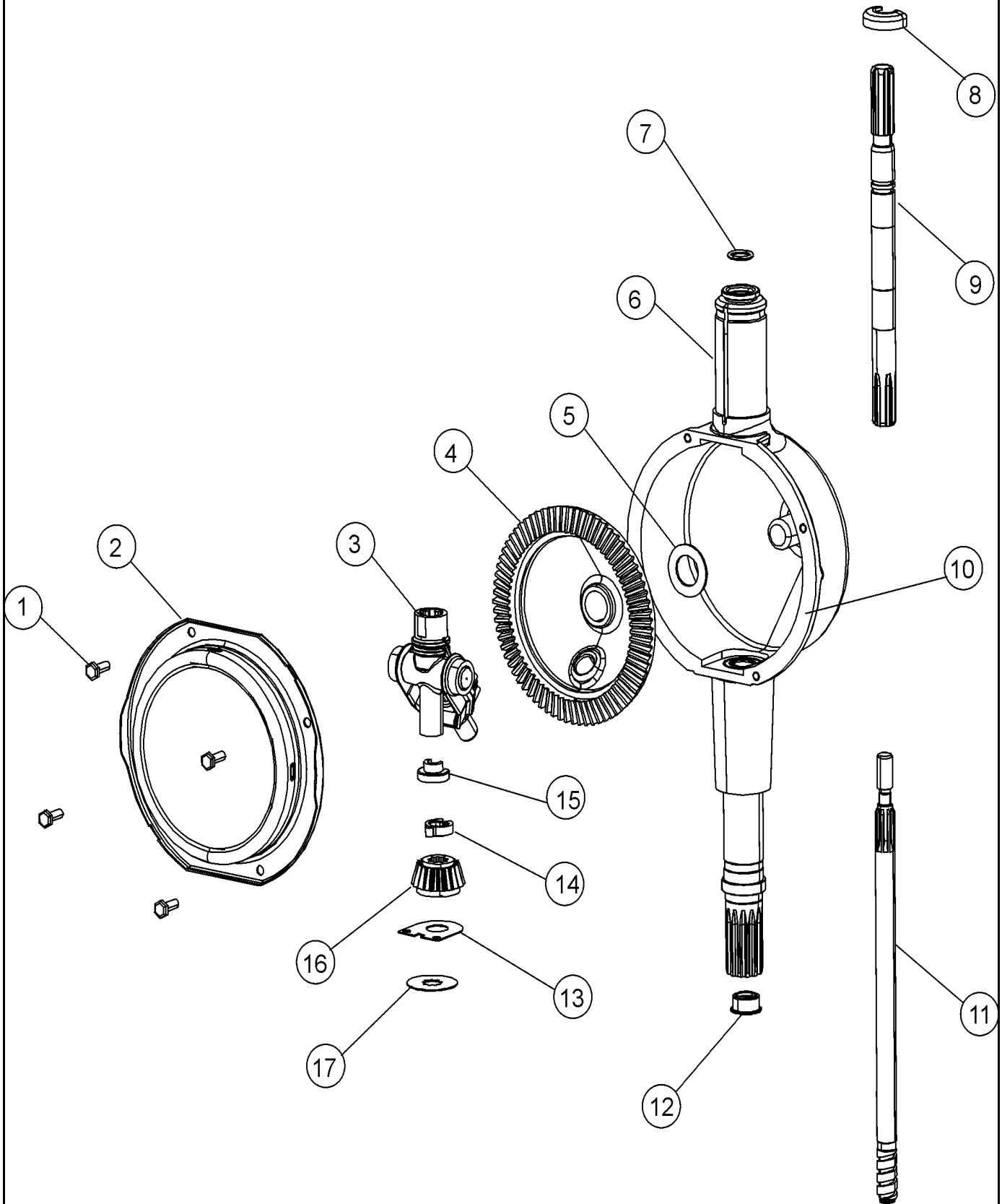
Section: TUB

| No. | Part No. | Description | Series | Qty |
|-----|-----------|---|--------|-----|
| 1 | 208543 | AGITATOR (W/LOCK SCREW) Note: AGITATOR (W/LOCK SCREW) | 10 | 1 |
| 2 | 22001619 | TUBE, AIR | 10 | 1 |
| 3 | 211130 | LINER, TUB BEARING | 10 | 1 |
| 4 | 205254 | BOLT & GASKET ASSEMBLY (LONG) | 10 | 2 |
| 4 | 200744 | BOLT & GASKET ASSY.(SHORT) | 10 | 1 |
| 5 | 22001606 | COVER ASSY., TUB | 10 | 1 |
| 6 | Y22001201 | GASKET, TUB COVER Note: GASKET, TUB COVER | 10 | 1 |
| 7 | 22001648 | MOUNTING STEM AND SEAL KIT | 10 | 1 |
| 8 | 211641 | CLAMP, 1-1/16" Note: CLAMP (1-1/16") | 10 | 1 |
| 9 | 22001142 | RING, BALANCE (W/CONCRETE) Note: RING, BALANCE (W/CONCRETE) | 10 | 1 |
| 10 | 410296 | CLAMP,WATER LEVEL SWTCH TUBE Note: CLAMP, WATER LEVEL SWITCH TUBE | 10 | 1 |
| 11 | 211047 | NUT, CLAMPING (INNER TUB) | 10 | 1 |
| 12 | 215532 | AGITATOR CAP - BLACK Note: CAP, AGITATOR | 10 | 1 |
| 13 | 211100 | WASHER, CUSHION | 10 | 3 |
| 14 | 215980 | PLUG, FILTER HOLE Note: PLUG, TUB | 10 | 2 |
| 15 | Y212989 | HOSE, OUTER TUB TO PUMP Note: HOSE, OUTER TUB | 10 | 1 |
| 16 | 22001640 | CLAMP, HOSE | 10 | 1 |
| 17 | 206478 | SCREW & WASHER FOR AGITATOR Note: SCREW & WASHER ASSEMBLY | 10 | 1 |
| 18 | 22001423 | SCREW, SET (TORX) Note: SET SCREW, MOUNTING STEM | 10 | 1 |
| 19 | 22001640 | CLAMP, HOSE Note: CLAMP, TUB HOSE | 10 | 1 |
| 20 | 211210 | WASHER,CLAMPING NUT(STAINLESS) Note: WASHER, CLAMPING NUT | 10 | 1 |
| 21 | 200824 | BEARING, TUB | 10 | 1 |
| 22 | 204013 | TUB BEARING REPAIR KIT | 10 | 1 |
| 23 | 22001140 | TUB, INNER (LARGE-WHT) | 10 | 1 |
| 24 | 22003312 | TUB, OUTER (AS PACKED) | 10 | 1 |
| 25 | Y015667 | RETAINING RING | 10 | 1 |
| 26 | Y054867 | WASHER, LOCK | 10 | 3 |
| 27 | 015666 | WASHER,RETAINING(CENTER SEAL)- Note: WASHER, RETAINING | 10 | 1 |

*Color Code (-)=Not Shown #=Series, Serial Prefix or Run No., N=Not Available

Section: TRANSMISSION

Model: MAT12PSDAW



CW18-3

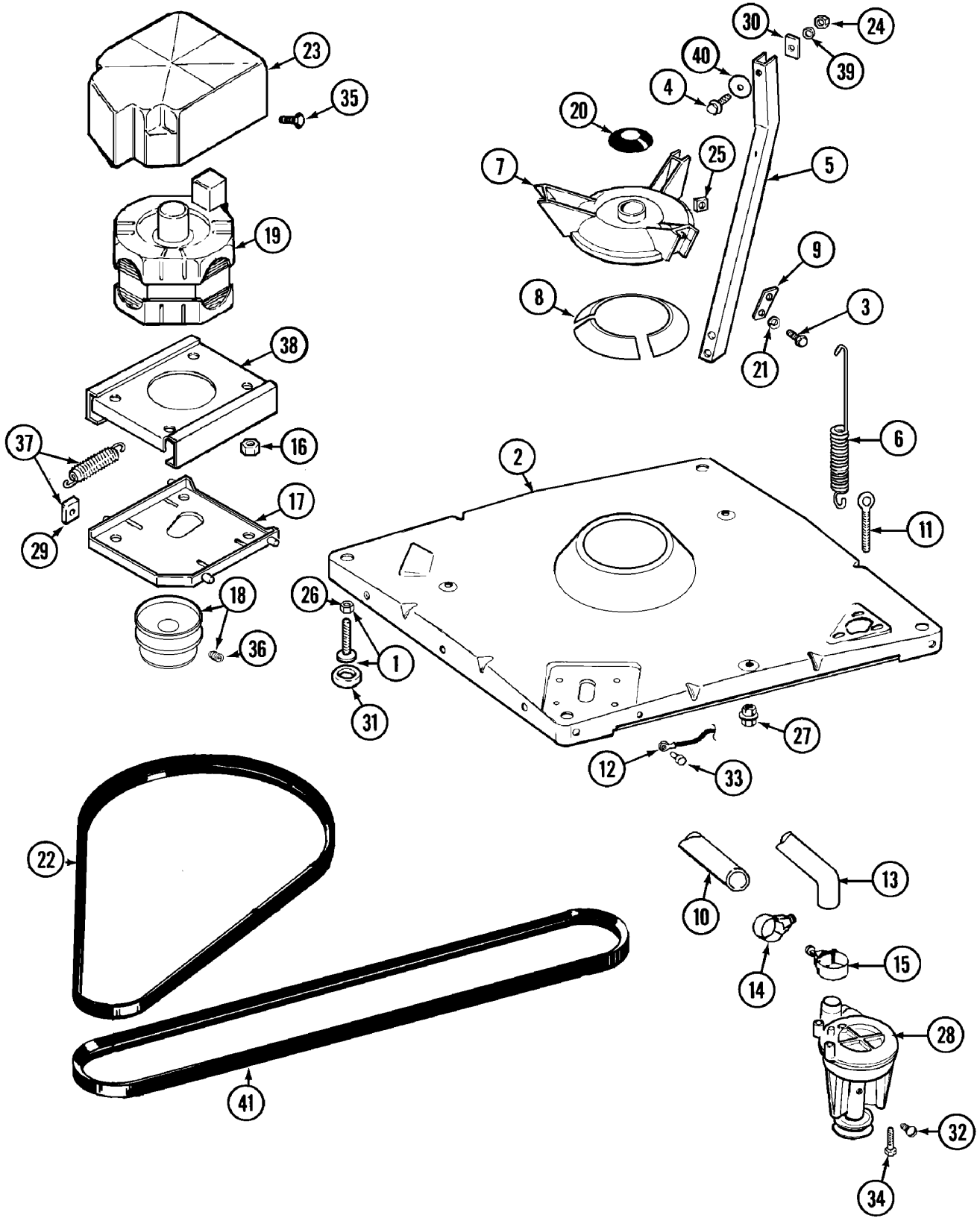
Section: TRANSMISSION

| No. | Part No. | Description | Series | Qty |
|-----|----------|--------------------------------|--------|-----|
| 1 | 215417 | SCREW, TRANSMISSION COVER | 10 | 4 |
| 2 | 206628 | COVER, TRANSMISSION | 10 | 1 |
| 3 | 206685 | BLOCK, TORQUE AND YOKE ASSEMBL | 10 | 1 |
| 4 | 206713 | GEAR, BEVEL | 10 | 1 |
| 5 | 215394 | WASHER, BEVEL GEAR | 10 | 1 |
| 6 | 22002537 | HOUSING, TRANSMISSION (SHW) | 10 | 1 |
| 7 | 22002417 | O-RING AGITATOR SHAFT | 10 | 1 |
| 8 | 22002340 | COLLAR, AGITATOR SHAFT | 10 | 1 |
| 9 | 22002415 | SHAFT, AGITATOR | 10 | 1 |
| 10 | Y058700 | SILASTIC,ADH.SEALANT | 10 | 1 |
| 11 | 22002343 | SHAFT, CENTER (SHALLOW TUB) | 10 | 1 |
| 12 | 207843 | LIP SEAL REPAIR KIT | 10 | 1 |
| 13 | 215395 | PLATE, CLUTCH | 10 | 1 |
| 14 | 22002353 | COLLAR, CENTER SHAFT | 10 | 1 |
| 15 | 22002341 | COLLAR, LOWER PLASTIC KEEPER | 10 | 1 |
| 16 | 215401 | PINION | 10 | 1 |
| 17 | 211483 | WASHER, SPLINED | 10 | 1 |
| - | 22002375 | TRANSMISSION, ORB(SHALLOW TUB) | 10 | 1 |

*Color Code (-)=Not Shown #=Series, Serial Prefix or Run No., N=Not Available

Section: BASE

Model: MAT12PSDAW



CW19-29

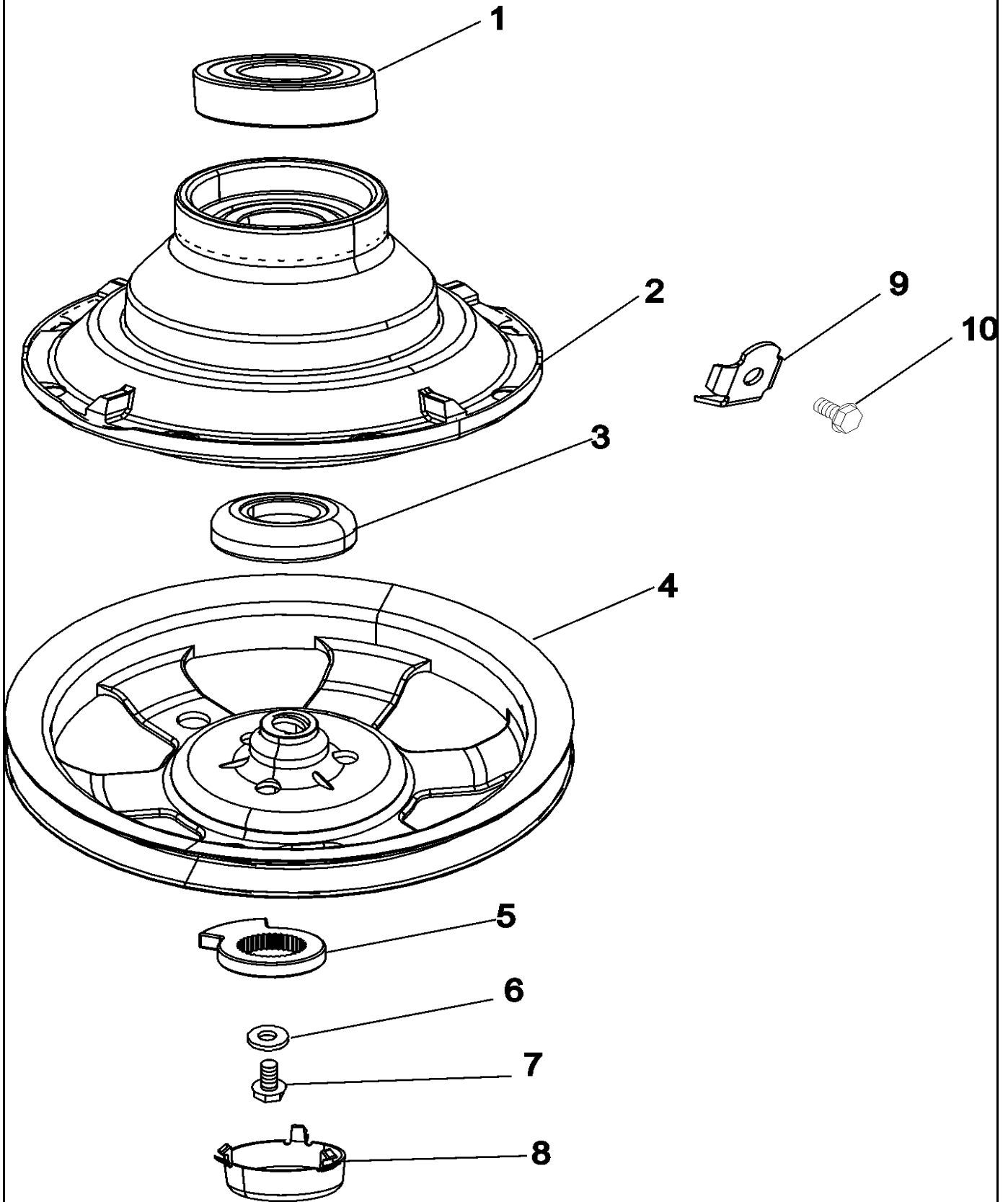
Section: BASE

| No. | Part No. | Description | Series | Qty |
|-----|----------|---|--------|-----|
| 1 | 22003428 | LEG, ADJUSTABLE (W/NUT) | 10 | 4 |
| 2 | 22002150 | BASE (W/DAMPER PADS) | 10 | 1 |
| 3 | Y015627 | SCREW, HEX HD CAP 5/16 X 5/8 | 10 | 6 |
| 4 | 205254 | BOLT & GASKET ASSEMBLY (LONG) | 10 | 2 |
| 4 | 200744 | BOLT & GASKET ASSY.(SHORT) | 10 | 1 |
| 5 | 213100 | BRACE, TUB | 10 | 3 |
| 6 | 22001300 | SPRING, CENTERING | 10 | 3 |
| 7 | 203725 | DAMPER W/BOLT & CLIP Note: DAMPER (W/BOLT & CLIP) | 10 | 1 |
| 8 | 203956 | DAMPER PAD KIT (W/POLY LUBE) Note: DAMPER PAD KIT (W/POLY LUBE) | 10 | 1 |
| 9 | 213073 | WASHER, DOUBLE Note: WASHER, DOUBLE | 10 | 3 |
| 10 | 22001816 | HOSE, DRAIN | 10 | 1 |
| 11 | 216416 | BOLT, EYE/CENTERING SPRING | 10 | 3 |
| 12 | 901220 | WIRE, GROUND | 10 | 1 |
| 13 | Y212989 | HOSE, OUTER TUB TO PUMP Note: HOSE, OUTER TUB | 10 | 1 |
| 14 | 22001820 | CLAMP, HOSE | 10 | 1 |
| 15 | 22001640 | CLAMP, HOSE | 10 | 1 |
| 16 | 311426 | NUT, WASHERED LOCK Note: NUT, MOTOR BASE | 10 | 3 |
| 17 | 22001301 | MOUNT, MOTOR LOWER-ASSEMBLY | 10 | 1 |
| 18 | 200816 | PULLEY, MOTOR (W/SET SCREW) Note: PULLEY, MOTOR (W/SET SCREW) | 10 | 1 |
| 19 | 201805 | MOTOR (ONE SPEED) | 10 | 1 |
| 19 | 22004301 | MOTOR, 1 SPEED 120V 60HZ | 11 | 1 |
| 20 | 22001511 | DEFLECTOR, WATER (W/ADHESIVE) | 10 | 2 |
| 21 | 911852 | WASHER, LOCK (BRACE) Note: WASHER, LOCK (BRACE) | 10 | 1 |
| 22 | 22002571 | V BELT, DRIVE PULLEY Note: V BELT, DRIVE PULLEY | 10 | 1 |
| 23 | 215098 | SHIELD, MOTOR | 10 | 1 |
| 24 | Y052734 | NUT Note: NUT, BRACE (TUB) | 10 | 3 |
| 25 | Y052785 | NUT,BRACE TO DAMPER Note: NUT, BRACE (DAMPER) | 10 | 6 |
| 26 | 210385 | NUT, LOCK | 10 | 4 |
| 27 | 211949 | NUT, EYEBOLT | 10 | 3 |
| 28 | 202203 | PUMP AS PAK | 10 | 1 |
| 29 | 204998 | GLIDE KIT (4 W/POLY LUBE) | 10 | 1 |
| 30 | 212979 | WASHER, TUB BRACE | 10 | 3 |
| 31 | 210684 | FOOT, RUBBER | 10 | 4 |
| 32 | Y015408 | SCREW, BEARING INSERT | 10 | 1 |
| 33 | 210186 | SCREW, GROUND WIRE TO BASE--NA Note: SCREW, GROUND WIRE | 10 | 1 |
| 34 | 211880 | SCREW, HEX HD #10 X 1/2 INC Note: SCREW, PUMP | 10 | 3 |
| 35 | 213121 | SCREW Note: SCREW, MOTOR SHIELD | 10 | 1 |
| 36 | Y053241 | SET SCREW, PULLEY Note: SET SCREW, MOTOR PULLEY | 10 | 1 |
| 37 | 205000 | GLIDE & SPRING KIT | 10 | 1 |
| 38 | 214956 | MOUNT, MOTOR/UPPER Note: PLATE, MOTOR MOUNT (UPR) | 10 | 1 |
| 39 | Y054867 | WASHER, LOCK Note: WASHER, LOCK (BRACE) | 10 | 3 |
| 40 | 211100 | WASHER, CUSHION Note: WASHER, CUSHION (BRACE) | 10 | 3 |
| 41 | 211124 | V BELT, PUMP | 10 | 1 |

*Color Code (-)=Not Shown #=Series, Serial Prefix or Run No., N=Not Available

Section: CLUTCH & BRAKE

Model: MAT12PSDAW



CW20-11

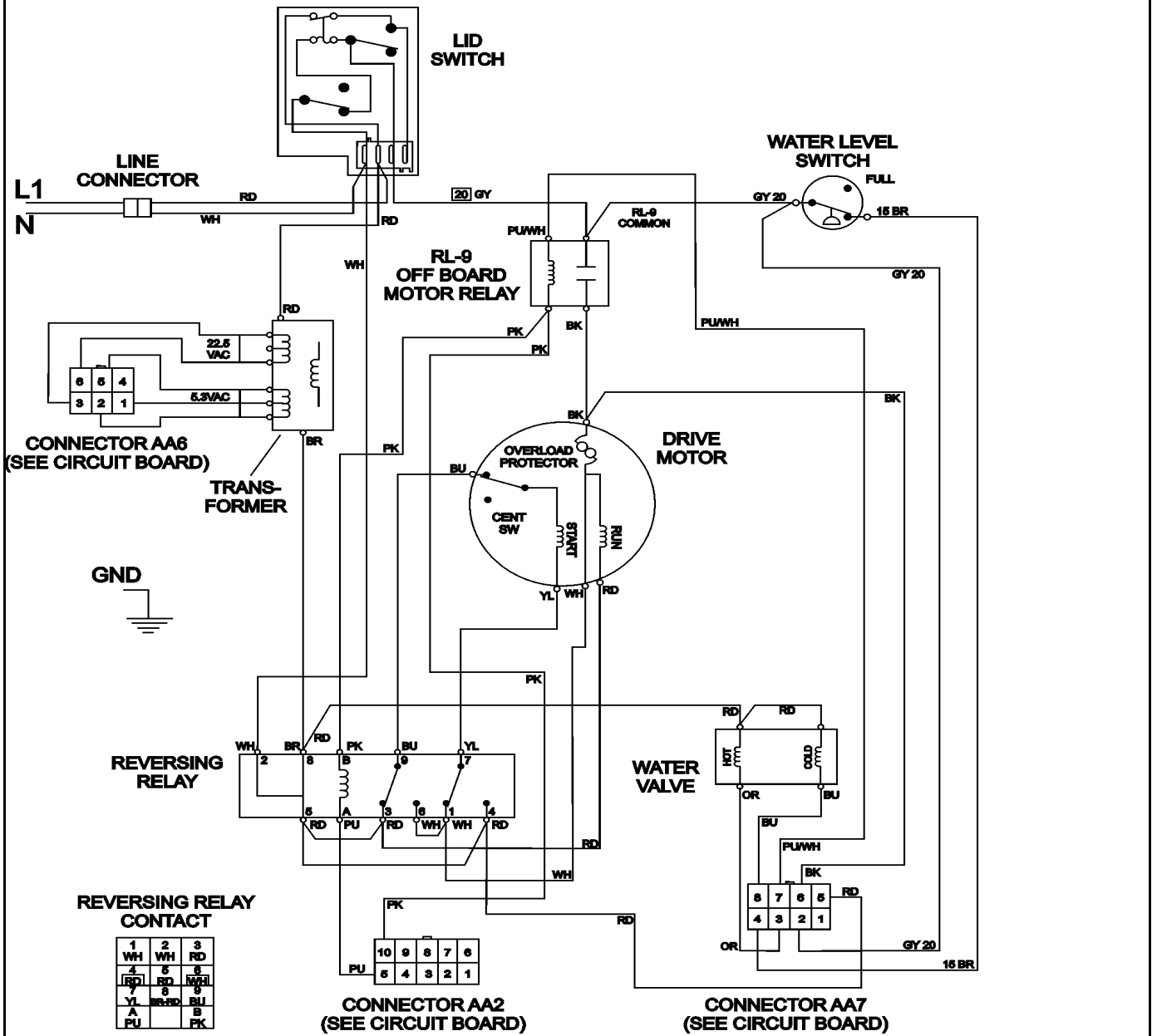
Section: CLUTCH & BRAKE

| No. | Part No. | Description | Series | Qty |
|-----|----------|--|--------|-----|
| 1 | 200720 | BALL BEARING, RADIAL | 10 | 1 |
| 2 | 201190 | BRAKE ASSEMBLY | 10 | 1 |
| 3 | 200835 | BEARING, BRAKE ROTOR | 10 | 1 |
| 4 | 22002429 | PULLEY | 10 | 1 |
| 5 | 211089 | LUG, STOP | 10 | 1 |
| 6 | 211090 | WASHER, LOCK Note: WASHER, LOCK (DRIVE LUG) | 10 | 1 |
| 7 | 211375 | SCREW, STOP LUG(CENTER SHAFT) Note: SCREW, DRIVE LUG | 10 | 1 |
| 8 | 22002428 | COVER, DUST (PLASTIC) | 10 | 1 |
| 9 | 213325 | CLIP, RETAINER | 10 | 1 |
| 10 | 213326 | SCREW, RETAINING CLIP Note: BOLT, RETAINING CLIP | 10 | 1 |

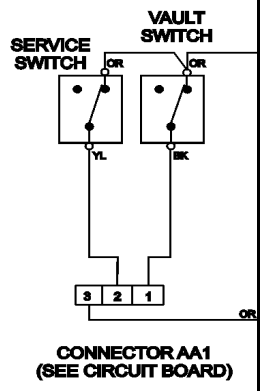
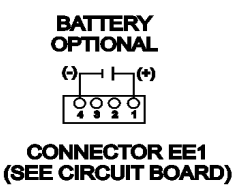
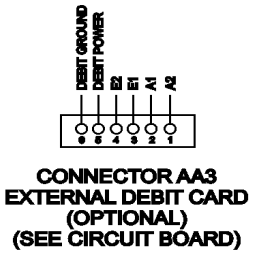
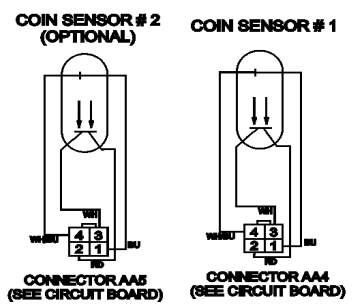
*Color Code (-)=Not Shown #=Series, Serial Prefix or Run No., N=Not Available

Section: WIRING INFORMATION

Model: MAT12PSDAW



□ - INSULATED TERMINAL



22004303

