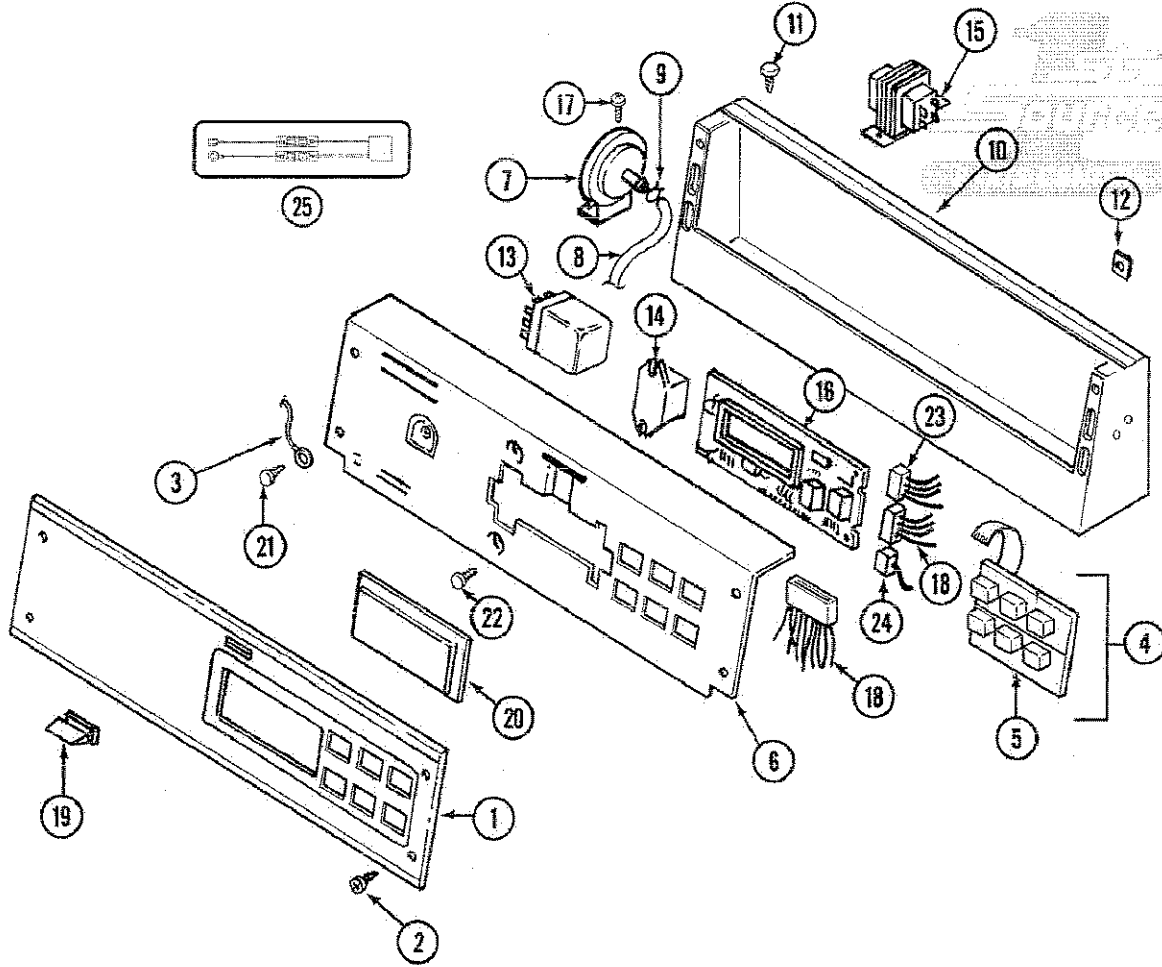


**Model Number: MAT10PDAAW**  
**Component Group: CONTROL PANEL**

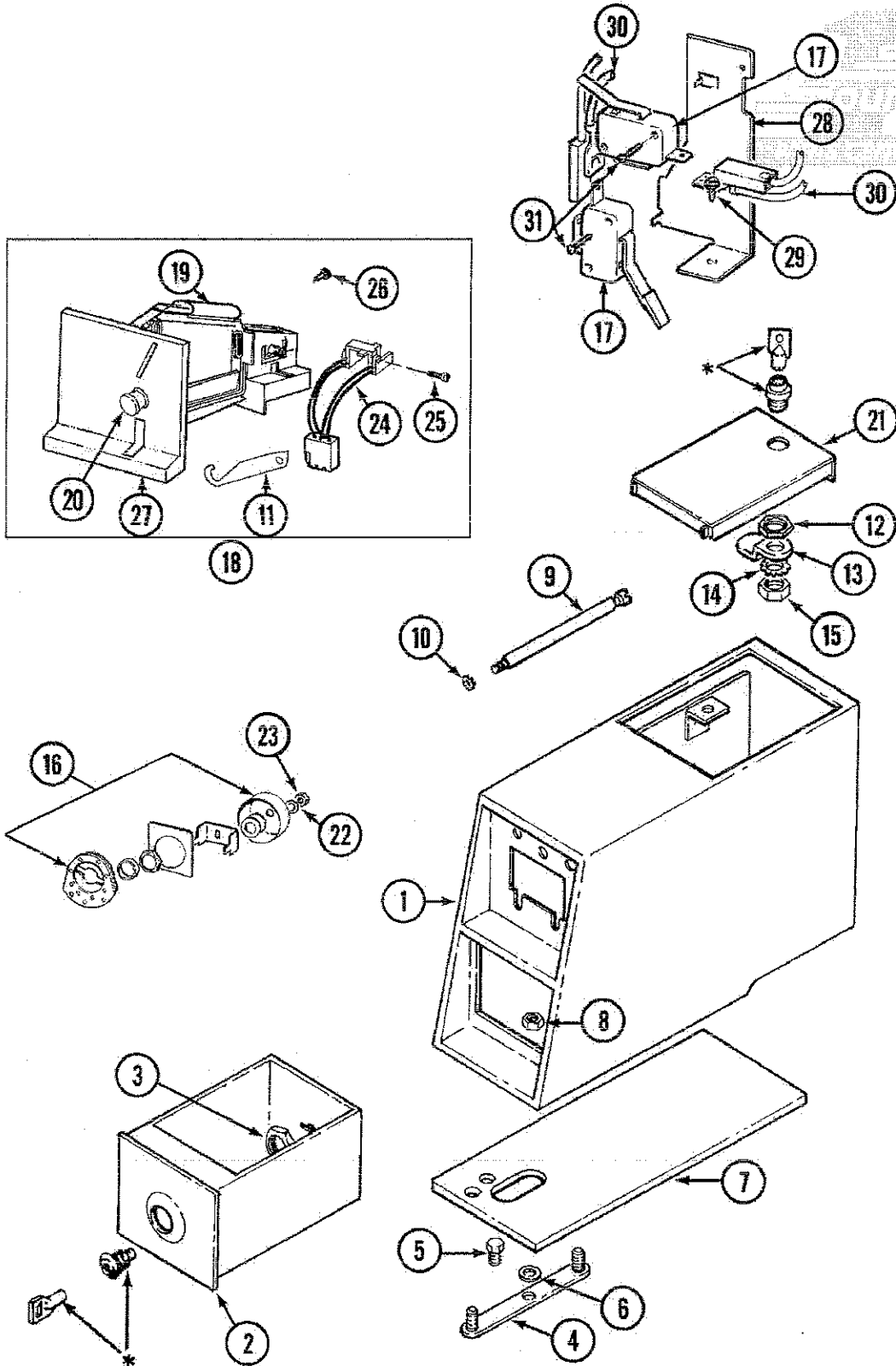


**Part Listing**

ID	Part #	Series	Description
1	22001145	A0	PANEL, CONTROL (CHRM)
2	215506	A0	SCREW, TORX
3	22001633	14	WIRE, GROUND
3	204807	A0	GRND.WIRE,SUPP.PLTE TO TOP CVR
4	206808	A0	CONTROL SWITCH ASSY.
4	215526	A0	SCREW
5	215517	A0	PUSHBUTTON
6	215516	A0	BACK BRACKET
6	215516L	A0	BACK BRACKET
7	22001308	A0	SWITCH, WATER LEVEL
8	212942	A0	AIR DOME AND TUBE
9	410296	A0	CLAMP,WATER LEVEL SWTCH TUBE
10	206780	A0	CONTROL COVER ASSY
10	206780L	A0	CONSOLE (ALM) SU
11	212276	A0	SCREW
12	215003	A0	FASTENER
13	206421	A0	RELAY-MOTOR REVERSING
14	206824	A0	RELAY, SPST 24VDC
14	212949	A0	SCREW
15	211294	A0	SCREW
15	207766	A0	TRANSFORMER

16	207767	A0	WATER DEFLECTOR
16	215513	A0	SPACER CIRCUIT BOARD
16	912077	A0	LOCKNUT
16	33001115	A0	SUPPORT, BATTERY
16	33001129	A0	BOARD-NLA-MUST REFURBISH
16	33001249	A0	BATTERY
17	211294	A0	SCREW
18	22001348	A0	WIRE HARNESS, MAIN
18	22001634	14	WIRE HARNESS, MAIN NLA
18	312953	A0	RECEPTACLE
18	314531	A0	EDGEBOARD CONNECTOR
19	214610	A0	BUMPER, LID
20	33001208	A0	COVER, DISPLAY
21	210186	A0	SCREW, GROUND WIRE TO BASE--NA
22	215527	A0	SCREW
23	22001360	A0	CONNECTOR, EDGEBOARD
23	206799	A0	SWITCH, OPTIC ASSY.
24	208045	A0	HARNESS, WIRE (SENSOR SW'S.)
24	22001361	A0	CONNECTOR, EDGEBOARD
25	12001277	14	KIT, SURGE SUPPRESSOR
25	12001277	19	KIT, SURGE SUPPRESSOR

**Model Number: MAT10PDAAW**  
**Component Group: CONTROL CENTER**

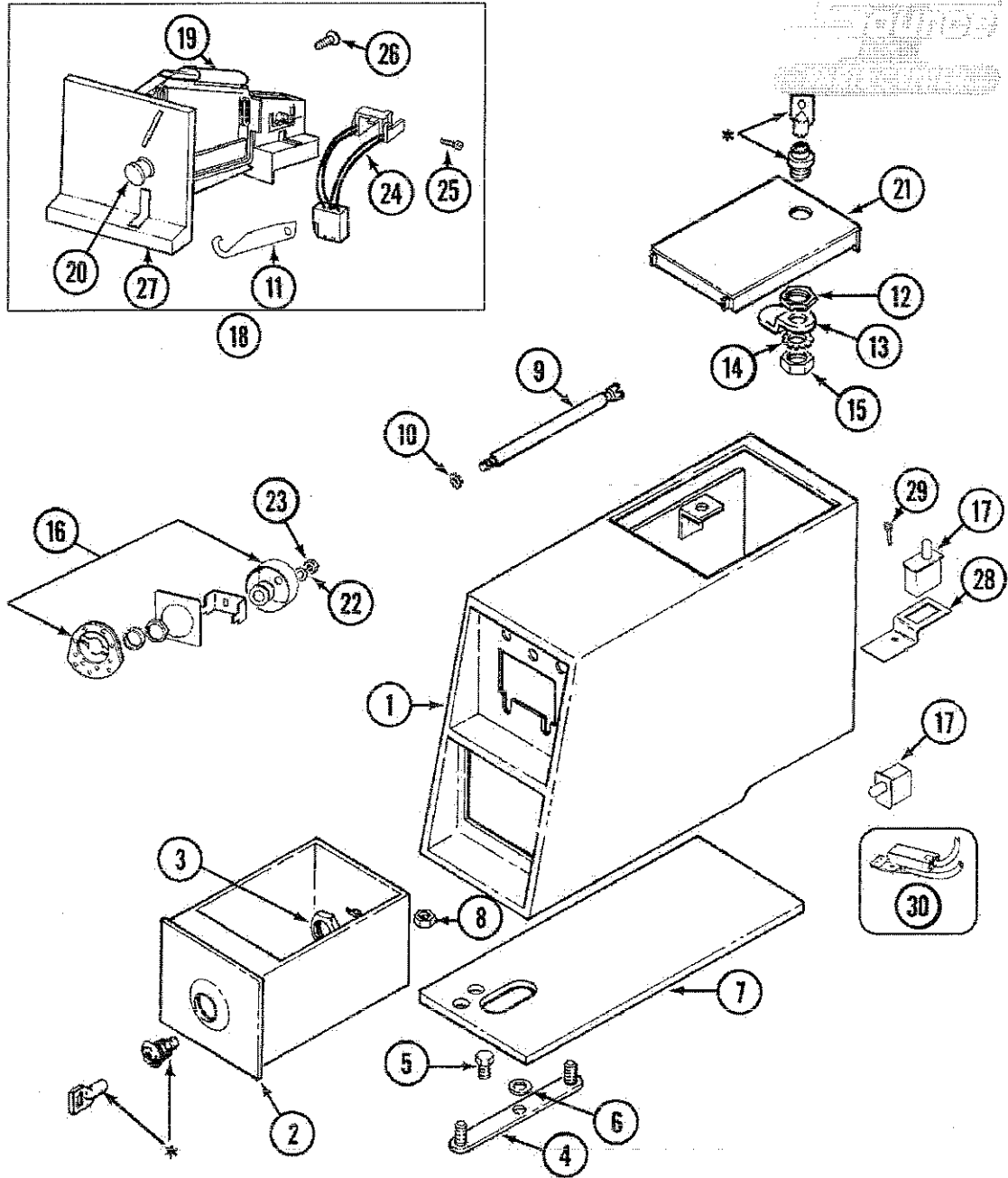


**\* CONTACT YOUR COMMERCIAL LAUNDRY DISTRIBUTOR**

**Part Listing**

<b>ID</b>	<b>Part #</b>	<b>Series</b>	<b>Description</b>
1	207940	A0	CASE, COIN METER (WHT)
2	207912	A0	BOX, COIN (WHT)
3	212328	A0	NUT, HEX
4	203307	A0	MTG. STRAP----NA
5	211294	A0	SCREW
6	910309	A0	WASHER
7	214660	A0	GASKET, METER CASE
8	052740	A0	NUT
9	213035	A0	BOLT, LOCKING
10	910181	A0	LOCK WASHER
11	216200	A0	BUTTON, RETURN
12	212328	A0	NUT, HEX
13	213750	A0	LOCKING CAM
14	22001354	A0	WASHER, LOCK
15	22001355	A0	NUT
16	207914	A0	LOCK CAM ASSY. NA
17	208042	A0	SWITCH, SENSOR (VAULT & DOOR)
18	207950	A0	COIN DROP ASSY 25 CENTS
18	207948	A0	COIN DROP ASSY. (25 CENTS)
19	207949	A0	COIN REJECTOR 25 CENTS
19	207947	A0	REJECTOR, COIN (25 CENTS)
20	216009	A0	BUTTON, RETURN
21	204216	A0	DOOR, ACCESS (WHT)
22	22001354	A0	WASHER, LOCK
23	22001355	A0	NUT
24	206799	A0	SWITCH, OPTIC ASSY.
25	314665	A0	SCREW
26	216068	A0	SCREW
27	216010	A0	PLATE, MOUNTING
28	216034	A0	BRACKET, SENSOR SWITCH
29	911052	A0	SCREW
30	208045	A0	HARNES, WIRE (SENSOR SW'S.)
31	912012	A0	SCREW

**Model Number: MAT10PDAAW**  
**Component Group: CONTROL CNTR (SERIAL SUFFIX QB & AFTER)**



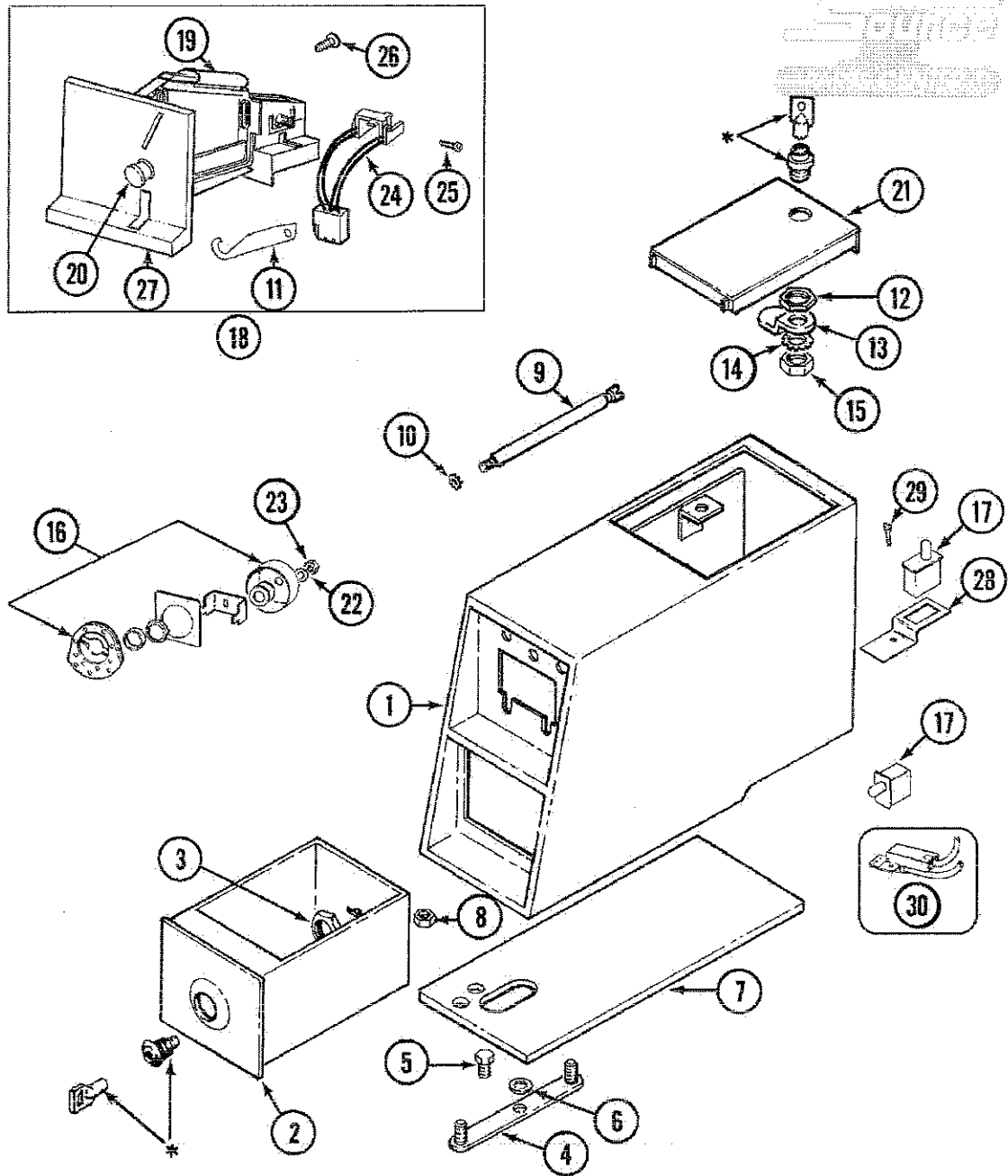
**\*CONTACT YOUR COMMERCIAL LAUNDRY DISTRIBUTOR**

**Part Listing**

ID	Part #	Series	Description
1	22001407	10	CASE, COIN SLIDE (WHT)
2	207912	10	BOX, COIN (WHT)
3	212328	10	NUT, HEX
4	203307	10	MTG. STRAP----NA
5	211294	10	SCREW
6	910309	10	WASHER

7	214660	10	GASKET, METER CASE
8	052740	10	NUT
9	213035	10	BOLT, LOCKING
9	211605	10	RETAINER, TIMER KNOB
10	910181	10	LOCK WASHER
11	212328	10	NUT, HEX
12	213750	10	LOCKING CAM
13	22001354	10	WASHER, LOCK
14	22001355	10	NUT
15	207914	10	LOCK CAM ASSY. NA
16	912012	10	SCREW
16	33001250	10	SWITCH, SENSOR
17	22002143	10	FACEPLATE
17	207948	10	COIN DROP ASSY. (25 CENTS)
17	207950	10	COIN DROP ASSY 25 CENTS
18	216200	10	BUTTON, RETURN
19	204216	10	DOOR, ACCESS (WHT)
20	22001354	10	WASHER, LOCK
21	216203	10	LOCKWASHER
21	22001355	10	NUT
22	206799	10	SWITCH, OPTIC ASSY.
23	314665	10	SCREW
24	216068	10	SCREW
25	22001404	10	BRACKET, SWITCH
26	212276	10	SCREW
27	208045	10	HARNES, WIRE (SENSOR SW'S.)

**Model Number: MAT10PDAAW**  
**Component Group: CONTROL CNTR (SERIAL SUFFIX KB & AFTER)**



**\*CONTACT YOUR COMMERCIAL LAUNDRY DISTRIBUTOR**

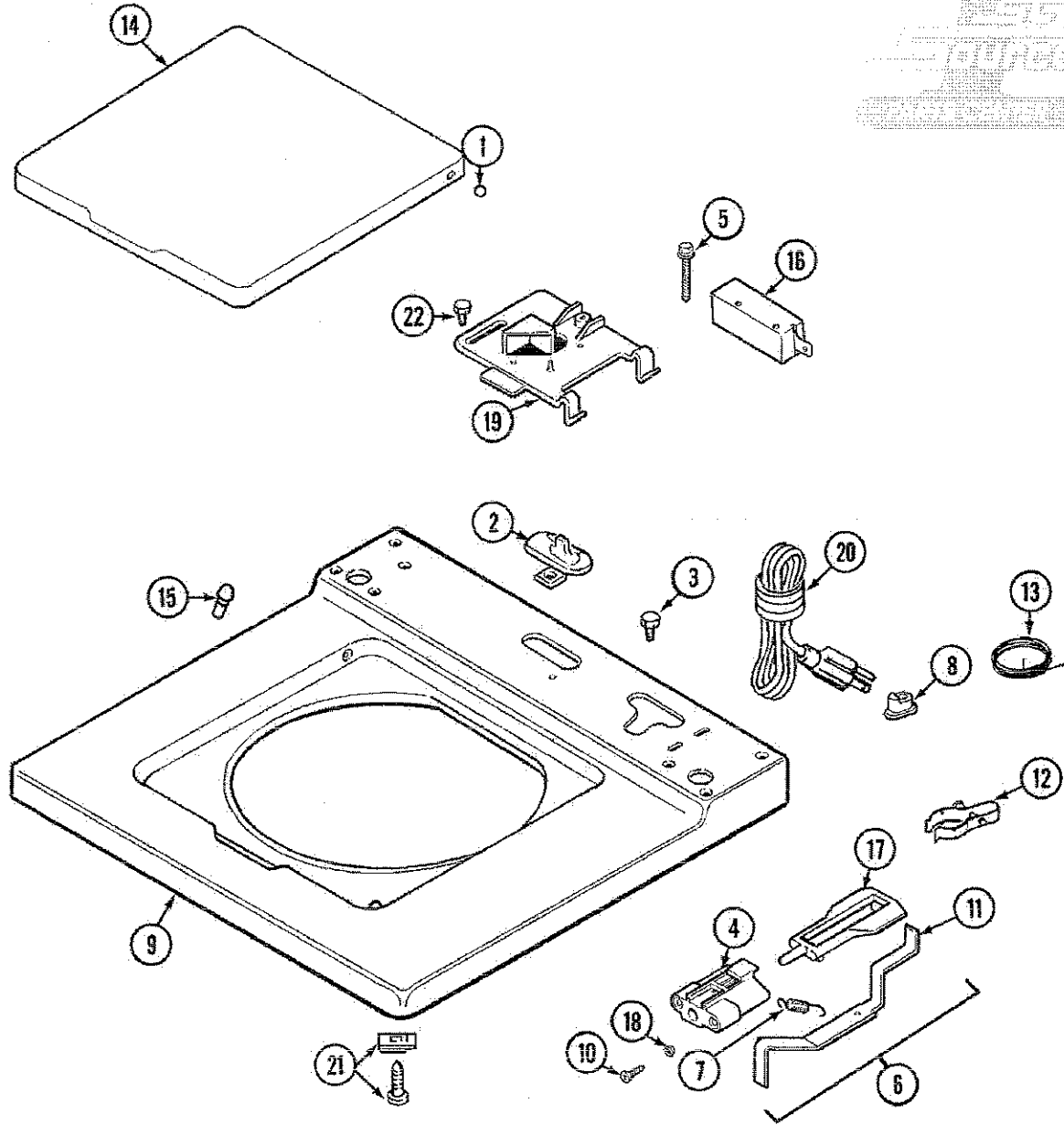
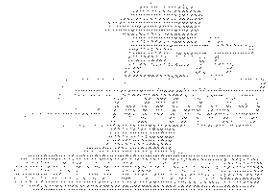
**Part Listing**

ID	Part #	Series	Description
1	22001407	A0	CASE, COIN SLIDE (WHT)
1	22001408	A0	CASE, COIN SLIDE (ALM)----NA
2	207912	A0	BOX, COIN (WHT)
2	207912L	A0	COIN BOX - ALMOND----NA
3	212328	A0	NUT, HEX
4	203307	A0	MTG. STRAP----NA

5	211294	A0	SCREW
6	910309	A0	WASHER
7	214660	A0	GASKET, METER CASE
8	052740	A0	NUT
9	211605	A0	RETAINER, TIMER KNOB
9	213035	A0	BOLT, LOCKING
10	910181	A0	LOCK WASHER
11	216011	A0	SPRING, BUTTON
12	212328	A0	NUT, HEX
13	213750	A0	LOCKING CAM
14	22001354	A0	WASHER, LOCK
15	22001355	A0	NUT
16	207914	A0	LOCK CAM ASSY. NA
17	33001250	A0	SWITCH, SENSOR
18	207950	A0	COIN DROP ASSY 25 CENTS
18	207948	A0	COIN DROP ASSY. (25 CENTS)
19	207949	A0	COIN REJECTOR 25 CENTS
19	207947	A0	REJECTOR, COIN (25 CENTS)
20	216200	A0	BUTTON, RETURN
21	204216	A0	DOOR, ACCESS (WHT)
21	204216L	A0	TIMER ACCESS DOOR ASSEMBLY - A
22	22001354	A0	WASHER, LOCK
23	216203	A0	LOCKWASHER
23	22001355	A0	NUT
24	206799	A0	SWITCH, OPTIC ASSY.
25	314665	A0	SCREW
26	216068	A0	SCREW
27	216010	A0	PLATE, MOUNTING
28	22001404	A0	BRACKET, SWITCH
29	212276	A0	SCREW
30	208045	A0	HARNES, WIRE (SENSOR SW'S.)



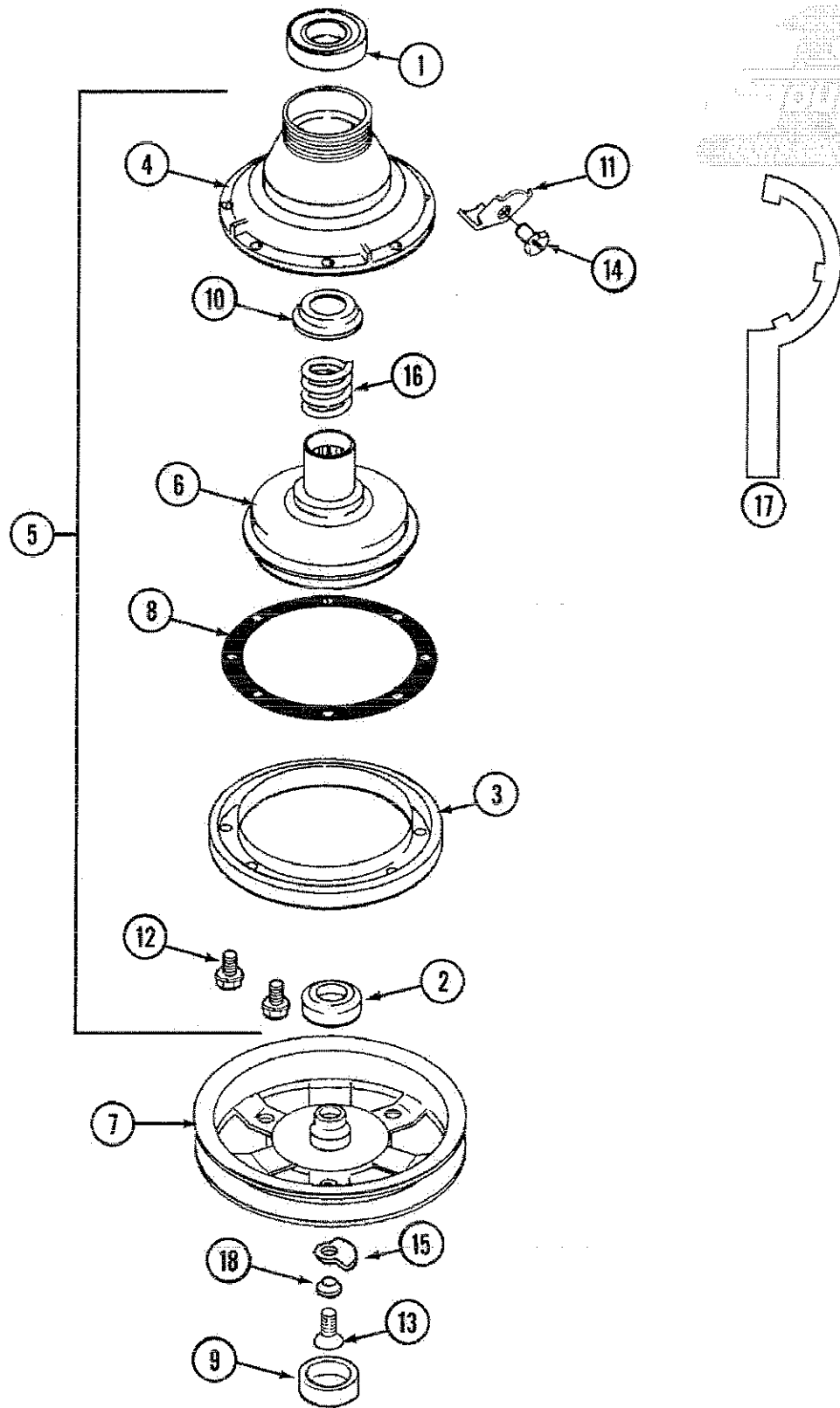
**Model Number: MAT10PDAAW**  
**Component Group: TOP ASSEMBLY**



**Part Listing**

ID	Part #	Series	Description
1	211726	A0	HINGE, BALL
2	22001298	A0	CAP, TOP COVER
2	207159	A0	SCREW
3	210186	A0	SCREW, GROUND WIRE TO BASE--NA
4	216256	A0	BRACKET, UNBALANCE
5	213501	A0	SCREW, #6-20 X 1-1/8 INCH
6	22001311	A0	LEVER ASSY. (UNBALANCE)
7	213720	A0	SPRING
8	211881	A0	GROMMET, CORD
9	22001309	A0	TOP, MAIN (ALM)----NA
9	22001310	A0	TOP, MAIN (WHT)

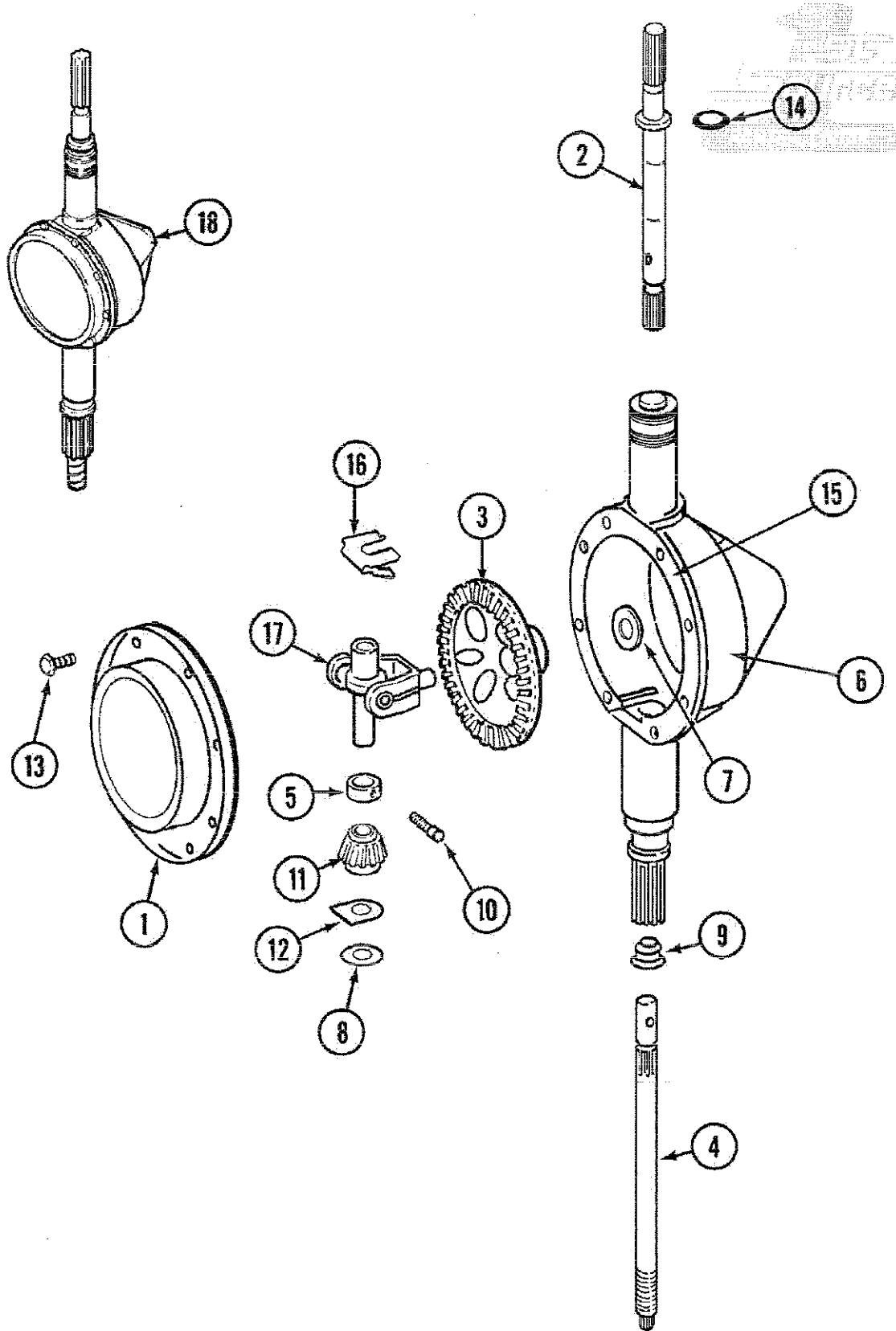
10	910182	A0	SCREW
11	22001136	A0	LEVER, UNBALANCE
12	301548	A0	CLAMP, GROUND (W/SCREW)
13	204807	A0	GRND. WIRE, SUPP. PLTE TO TOP CVR
14	22001341	A0	LID W/LEGEND (WHT)
14	22001342	A0	LID W/LEGEND (ALM)----NA
15	212716	A0	BUMPER, LID
16	205415	A0	SWITCH, LID (W/O TUB LIGHT)
17	216255	A0	PLUNGER, UNBALANCE
18	211500	A0	WASHER, BRACKE TO TOP COVER
19	215699	A0	BRACKET, SWITCH & FUSE
20	206835	A0	POWER CORD
21	204445	A0	SCREW & FASTENER ASY.
22	207159	A0	SCREW



Part Listing

<b>ID</b>	<b>Part #</b>	<b>Series</b>	<b>Description</b>
1	200720	A0	BALL BEARING, RADIAL
2	200835	A0	BEARING, BRAKE ROTOR
3	211043	A0	DRUM, BRAKE
4	211045	A0	HOUSING, BRAKE
5	201190	A0	BRAKE ASSEMBLY
6	201126	A0	ROTOR, BRAKE (W/FACING)
7	211059	A0	PULLEY, DRIVE
8	211042	A0	GASKET, BRAKE DRUM
9	211038	A0	CAP, OIL RETAINER
10	211039	A0	RETAINER, BRAKE SPRING
11	213325	A0	CLIP, RETAINER
12	211000	A0	SCREW, HEX HEAD (BRAKE DRUM)
13	211375	A0	SCREW, STOP LUG (CENTER SHAFT)
14	213326	A0	SCREW, RETAINING CLIP
15	211089	A0	LUG, STOP
16	211041	A0	SPRING, BRAKE
17	038315	A0	TOOL, BRAKE PKG ASSY
18	211090	A0	WASHER, LOCK

**Model Number: MAT10PDAAW**  
**Component Group: TRANSMISSION**

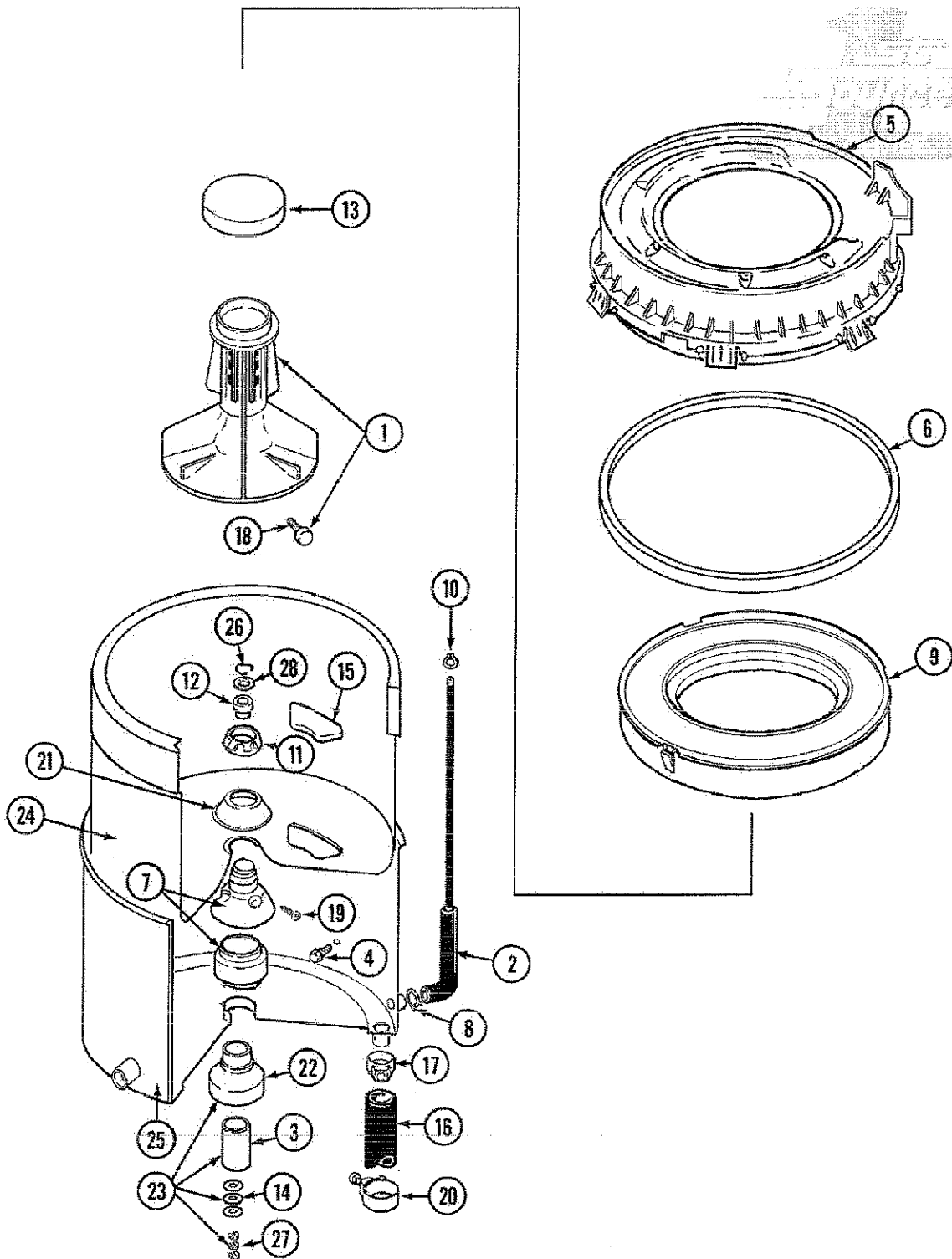


**Part Listing**

<b>ID</b>	<b>Part #</b>	<b>Series</b>	<b>Description</b>
1	206628	A0	COVER, TRANSMISSION
2	207153	A0	SHAFT, AGITATOR (W/SPRING)
3	206713	A0	GEAR, BEVEL
4	215411	A0	SHAFT, CENTER
5	215415	A0	COLLAR, LOWER
6	206625	A0	HOUSING, TRANSMISSION
7	215394	A0	WASHER, BEVEL GEAR
8	211483	A0	WASHER, SPLINED
9	206602	A0	SEAL, LIP (CENTER SHAFT)
10	206629	A0	PIN, COLLAR
11	215401	A0	PINION
12	215395	A0	PLATE, CLUTCH
13	215417	A0	SCREW, TRANSMISSION COVER
14	210690	A0	SEAL, RUBBER
15	058700	A0	SILASTIC,ADH.SEALANT
16	215581	A0	SPRING, AGITATOR SHAFT
17	206685	A0	BLOCK, TORQUE AND YOKE ASSEMBL
18	206708	A0	TRANSMISSION

**Model Number: MAT10PDAAW**  
**Component Group: CLUTCH, BRAKE & BELTS**

**Model Number: MAT10PDAAW**  
**Component Group: TUB**



**Part Listing**

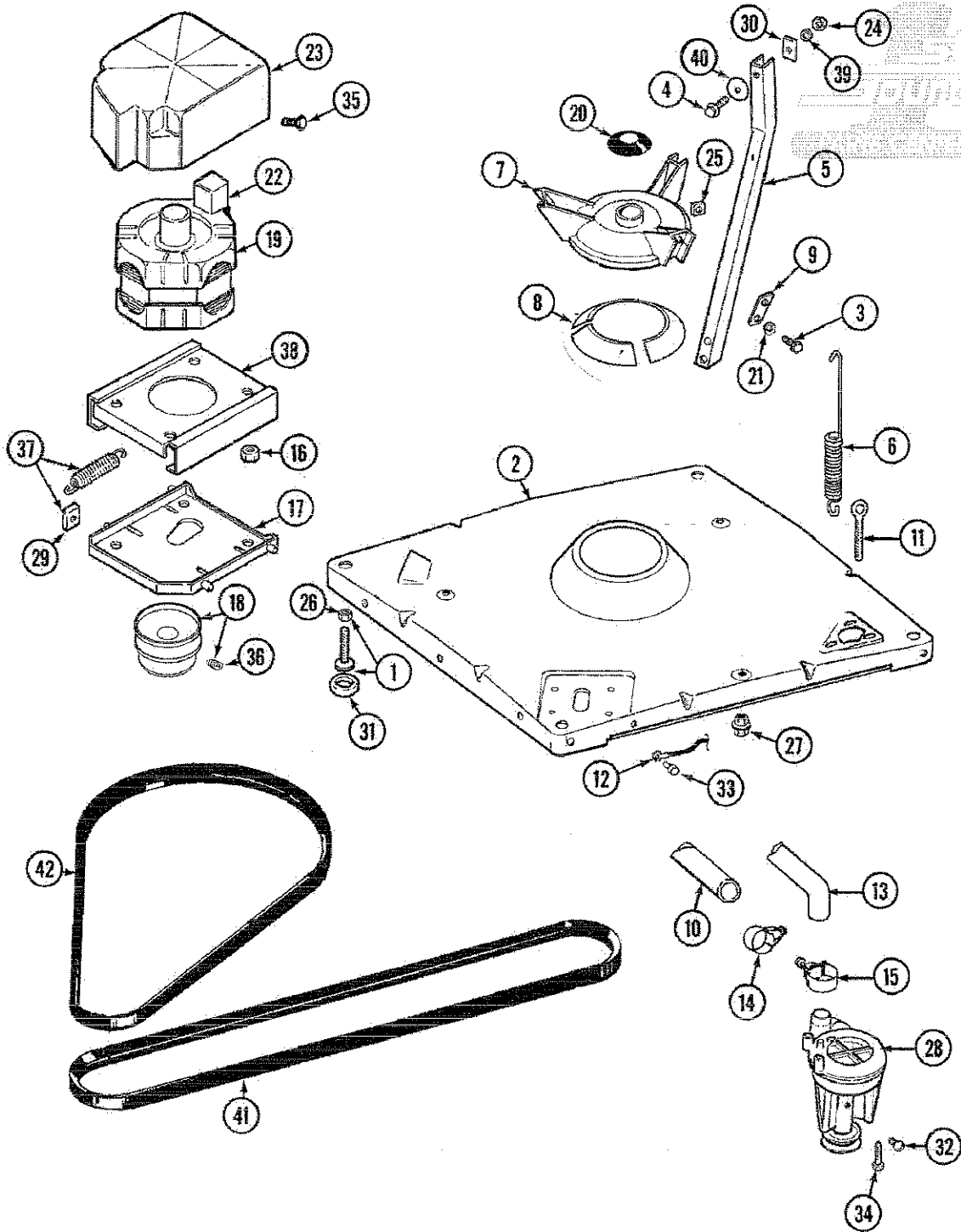
ID	Part #	Series	Description
1	208543	A0	AGITATOR (W/LOCK SCREW)
2	212942	A0	AIR DOME AND TUBE
3	211130	A0	LINER, TUB BEARING
4	205254	A0	BOLT & GASKET ASSEMBLY (LONG)



4	200744	A0	BOLT & GASKET ASSY.(SHORT)
5	22001299	A0	TUB COVER & GASKET ASSEMBLY
5	22001606	15	COVER ASSY., TUB
6	22001201	A0	GASKET, TUB COVER
7	204012	A0	MOUNTING STEM REPAIR KIT
8	211641	A0	CLAMP, 1-1/16"
9	22001142	A0	RING, BALANCE (W/CONCRETE)
10	410296	A0	CLAMP,WATER LEVEL SWTCH TUBE
11	211047	A0	NUT, CLAMPING (INNER TUB)
12	0A4298	A0	SEAL, AGITATOR DRIVE SHAFT
13	215532	A0	AGITATOR CAP - BLACK
14	211100	A0	WASHER, CUSHION
15	215980	A0	PLUG, FILTER HOLE
16	212989	A0	HOSE, OUTER TUB TO PUMP
17	201011	A0	CLAMP,HOSE (TUB OUTLET)
18	206478	A0	SCREW & WASHER FOR AGITATOR
19	211618	A0	SET SCREW, MTG. STEM
20	202574	A0	CLAMP, HOSE
21	211210	A0	WASHER,CLAMPING NUT(STAINLESS)
22	200824	A0	BEARING, TUB
23	204013	A0	TUB BEARING REPAIR KIT
24	22001141	A0	TUB, INNER (LARGE-GRY)
25	22001115	A0	TUB, OUTER (LARGE)
26	015667	A0	RETAINING RING
27	054867	A0	WASHER, LOCK
28	015666	A0	WASHER,RETAINING(CENTER SEAL)-

**Model Number: MAT10PDAAW**

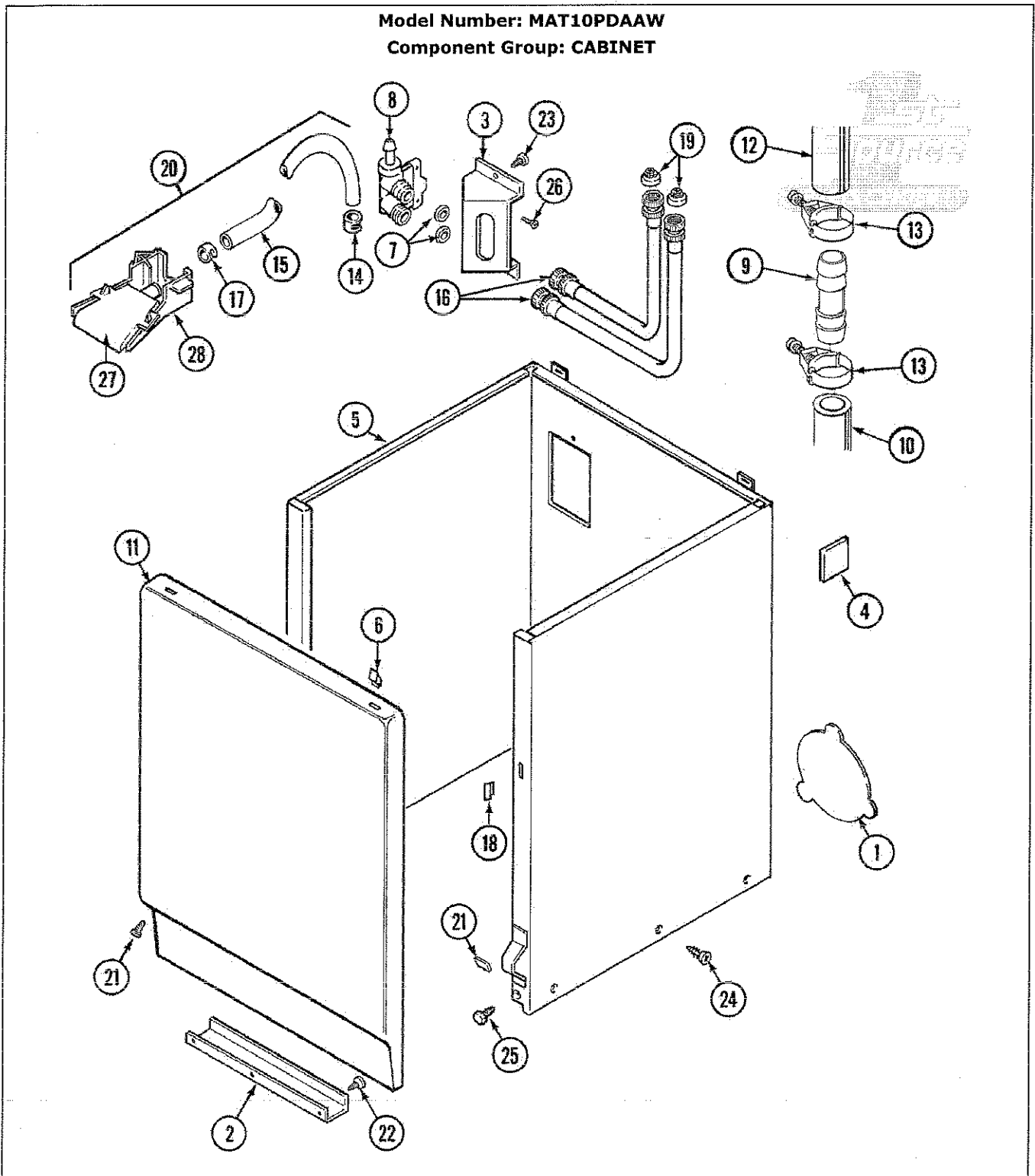
**Component Group: BASE**



**Part Listing**

ID	Part #	Series	Description
1	302699	A0	LEG, ADJUSTABLE (W/NUT)
2	22001172	A0	BASE (W/DAMPER PADS)
3	015627	A0	SCREW, HEX HD CAP 5/16 X 5/8
4	200744	A0	BOLT & GASKET ASSY.(SHORT)
4	205254	A0	BOLT & GASKET ASSEMBLY (LONG)

5	213100	A0	BRACE, TUB
6	22001300	A0	SPRING, CENTERING
7	203725	A0	DAMPER W/BOLT & CLIP
8	203956	A0	DAMPER PAD KIT (W/POLY LUBE)
9	213073	A0	WASHER, DOUBLE
10	214768	A0	DRAIN HOSE, 4 FOOT
11	216416	A0	BOLT, EYE/CENTERING SPRING
12	901220	A0	WIRE, GROUND
13	212989	A0	HOSE, OUTER TUB TO PUMP
14	200461	A0	HOSE CLAMP - 1-5/8 INCH
15	202574	A0	CLAMP, HOSE
16	311426	A0	NUT, WASHERED LOCK
17	22001301	A0	MOUNT, MOTOR LOWER-ASSEMBLY
18	200816	A0	PULLEY, MOTOR (W/SET SCREW)
19	201805	A0	MOTOR (ONE SPEED)
20	211028	A0	DEFLECTOR, WATER (DRIVE TUBE)
21	911852	A0	WASHER, LOCK (BRACE)
22	206505	A0	SWITCH, MOTOR START
22	205131	A0	SWITCH, MOTOR START
22	205132	A0	SWITCH, MOTOR START
23	215098	A0	SHIELD, MOTOR
24	052734	A0	NUT
25	052785	A0	NUT, BRACE TO DAMPER
26	210385	A0	NUT, LOCK
27	211949	A0	NUT, EYEBOLT
28	202203	A0	PUMP AS PAK
29	204998	A0	GLIDE KIT (4 W/POLY LUBE)
30	212979	A0	WASHER, TUB BRACE
31	210684	A0	FOOT, RUBBER
32	015408	A0	SCREW, BEARING INSERT
33	210186	A0	SCREW, GROUND WIRE TO BASE--NA
34	211880	A0	SCREW, HEX HD #10 X 1/2 INC
35	213121	A0	SCREW
36	053241	A0	SET SCREW, PULLEY
37	205000	A0	GLIDE & SPRING KIT
38	214956	A0	MOUNT, MOTOR/UPPER
39	054867	A0	WASHER, LOCK
40	211100	A0	WASHER, CUSHION
41	211124	A0	V BELT, PUMP
42	211125	A0	V BELT, DRIVE PULLEY



**Part Listing**

ID	Part #	Series	Description
1	211294	A0	SCREW
1	211878	A0	PLATE, ACCESS
1	212985	A0	PLATE, ACCESS (W/HOLE)
2	213846	A0	GUARD, BELT
3	214812	A0	BRACKET, WATER VALVE
4	215058	A0	PAD, CABINET BUMPER

5	22001302	A0	CABINET (WHT)
5	22001303	A0	CABINET (ALM)----NA
6	212982	A0	FASTENER, PANEL
7	013783	A0	GASKET, INLET HOSE
8	205161	15	CLAMP - 15/16"
8	214337	A0	SCREEN, VALVE
8	22001275	A0	VALVE, WATER
8	22001604	15	VALVE, WATER 120V 60HZ
9	211111	A0	HOSE COUPLING
10	214768	A0	DRAIN HOSE, 4 FOOT
11	216078	A0	PANEL, FRONT (WHT)
11	216078L	A0	PANEL, FRONT (ALM) SUB
12	215057	A0	DRAIN HOSE
13	200461	A0	HOSE CLAMP - 1-5/8 INCH
14	216169	A0	CLAMP,HOSE-INJEC.HOSE TO VALVE
15	22001190	A0	HOSE, INJECTOR
15	22001608	15	INJECTOR HOSE & BACKFLOW ASSY.
15	22001900	15	PREVENTER, BACK FLOW
16	205828	A0	HOSE, INLET ASSY.
17	216170	A0	CLAMP, HOSE
18	214376	A0	SPACER, FRONT PANEL
19	200961	A0	SCREEN WASHER, INLET HOSE
20	22001304	A0	INJECTOR ASSY., WATER
21	204439	A0	SCREW & FSTNER ASSY(FRT.PANEL)
22	211294	A0	SCREW
23	212276	A0	SCREW
24	213007	A0	SCREW, CABINET
25	213121	A0	SCREW
25	213122	A0	SCREW,CBNT.TO FRNT OF BASE--NA
26	313561	A0	SCREW----NA
27	22001187	A0	INJECTOR (UPR)
28	22001186	A0	INJECTOR (LWR)