

Repair Parts List

MODEL NUMBER
MAH3000BGW

WASHER

When requesting service or ordering parts, always provide the following information:

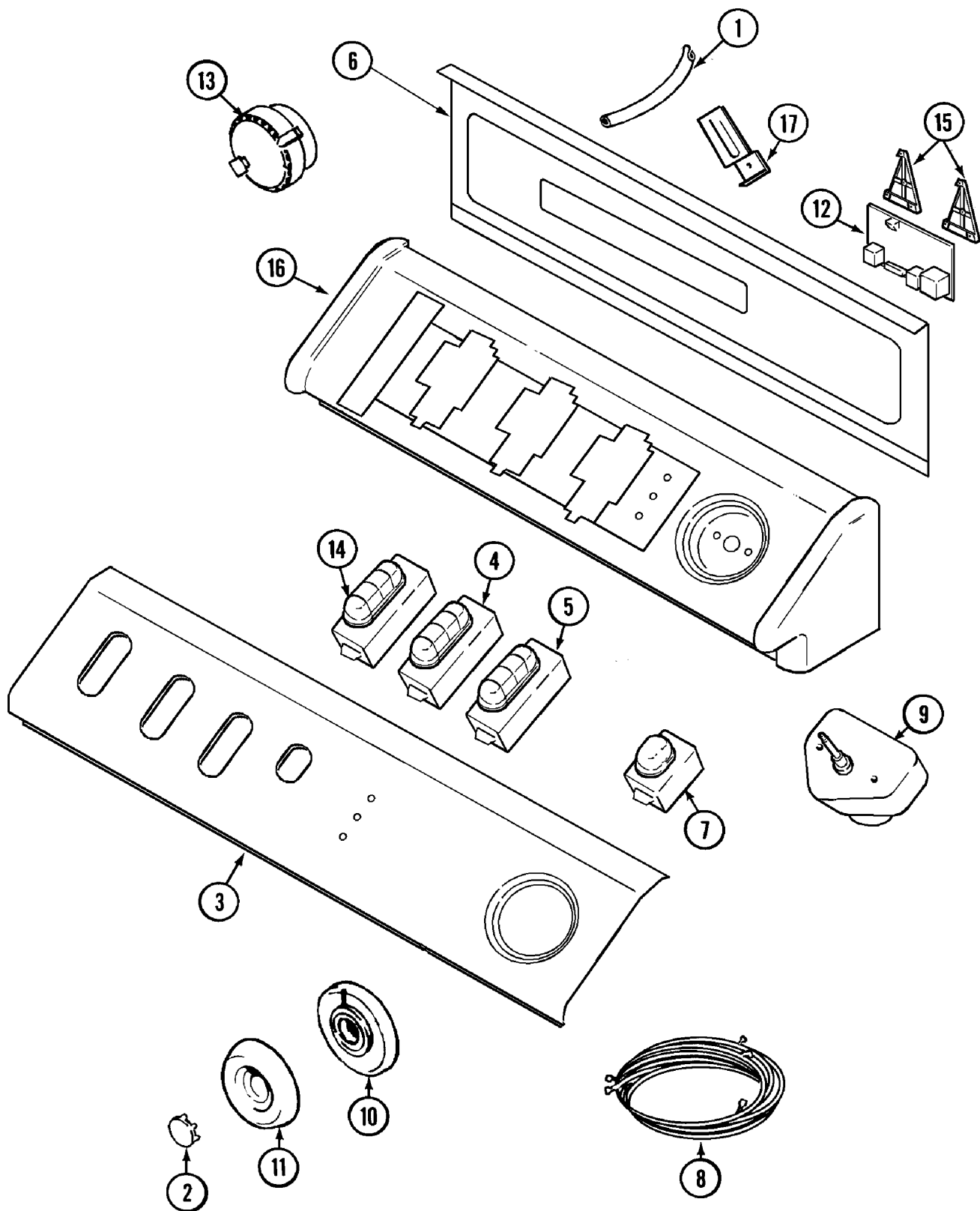
- Product Type
- Part Number
- Model Number
- Part Description

MAYTAG®

©2005 Maytag Services

Section: CONTROL PANEL

Model: MAH3000BGW



LW11-120

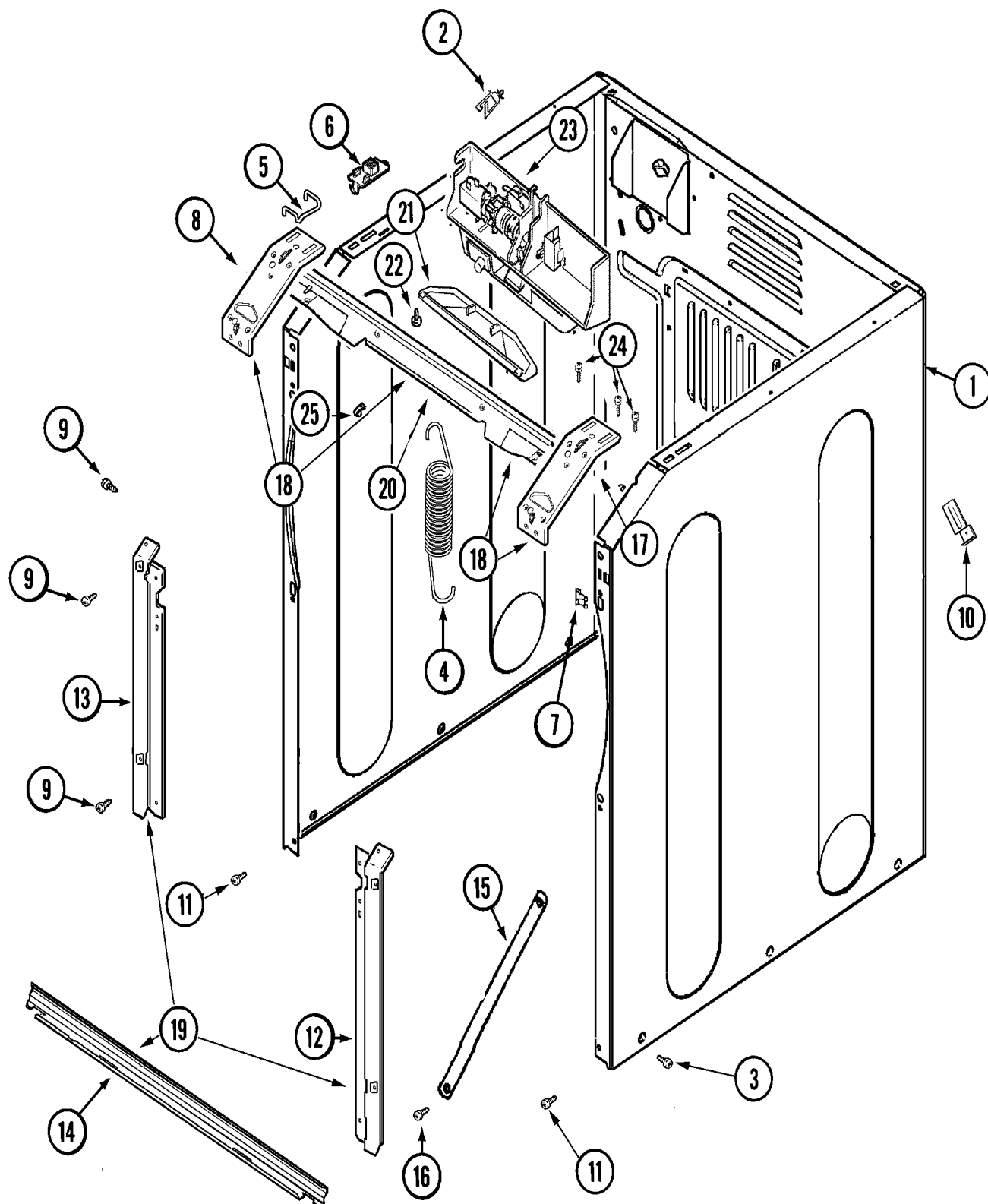
Section: CONTROL PANEL

No.	Part No.	Description	Series	Qty
1	22002010	HOSE, AIR DOME Note: HOSE, WATER LEVEL SWITCH	10	1
2	22001664	TIMER KNOB INSERT/CAP (WHT) Note: INSERT, TIMER KNOB CAP (WHT)	10	1
3	22002275	PANEL, CONTROL (WHT)	10	1
4	22003619	SWITCH, TEMP. 4 POS. (WHT) Note: SWITCH, TEMP. 4 POS. (WHT)	10	1
5	22003620	SWITCH, OPTIONS (WHT) Note: SWITCH, OPTIONS (WHT)	10	1
-	22002925	SCREW Note: SCREW, BACK TO TOP COVER	10	2
6	22002529	CONSOLE BACK PANEL	10	1
-	Y22002339	SCREW Note: SCREW, CONSOLE BACK	10	3
7	22002560	SWITCH, PUSH TO START	10	1
-	22002006	CLIP	97	1
-	22003820	WIRE HARNESS / HH / UNBALANCE	84	1
-	22003820	WIRE HARNESS / HH / UNBALANCE Note: WIRE HARNESS / HH / UN PILOT	77	1
-	22003836	HARNESS, UPPER SUB ASSY, VENUS	97	1
-	22003823	WIRE HARNESS Note: WIRE HARNESS PILOT	77	1
8	22002644	WIRE HARNESS, MAIN	10	1
-	22003823	WIRE HARNESS	84	1
-	Y22002339	SCREW	10	1
9	22002992	TIMER	10	1
10	22002282	BEZEL, TIMER DIAL (WHT)	10	1
11	22001659	TIMER KNOB - GREY	10	1
-	912077	LOCKNUT Note: LOCKNUT, MACHINE CONTROL	10	2
12	22002917	BOARD, CONTROL (50HZ) Note: BOARD, CONTROL	10	1
-	22002287	SCREW, MACHINE CONTROL	10	2
13	22002994	SWITCH, PRESSURE	10	1
14	22003621	SWITCH, FABRIC (WHT) Note: SWITCH, FABRIC (WHT)	10	1
15	22002284	BRACKET Note: BRACKET, MACHINE CONTROL	10	2
16	22002964	CONSOLE (WHT)	10	1
17	22002178	BRACKET, WATER SWITCH Note: BRACKET, WATER	10	1
-	22002925	SCREW Note: SCREW, BRACKET WATER	10	1
-	22003708	MANUAL, USE & CARE	10	1
-	16010061	MANUAL KIT, SERVICE	10	1
-	22004082	SEAL INSERTION TOOL	10	1

*Color Code (-)=Not Shown #=Series, Serial Prefix or Run No., N=Not Available

Section: CABINET-FRONT

Model: MAH3000BGW



LW12-34

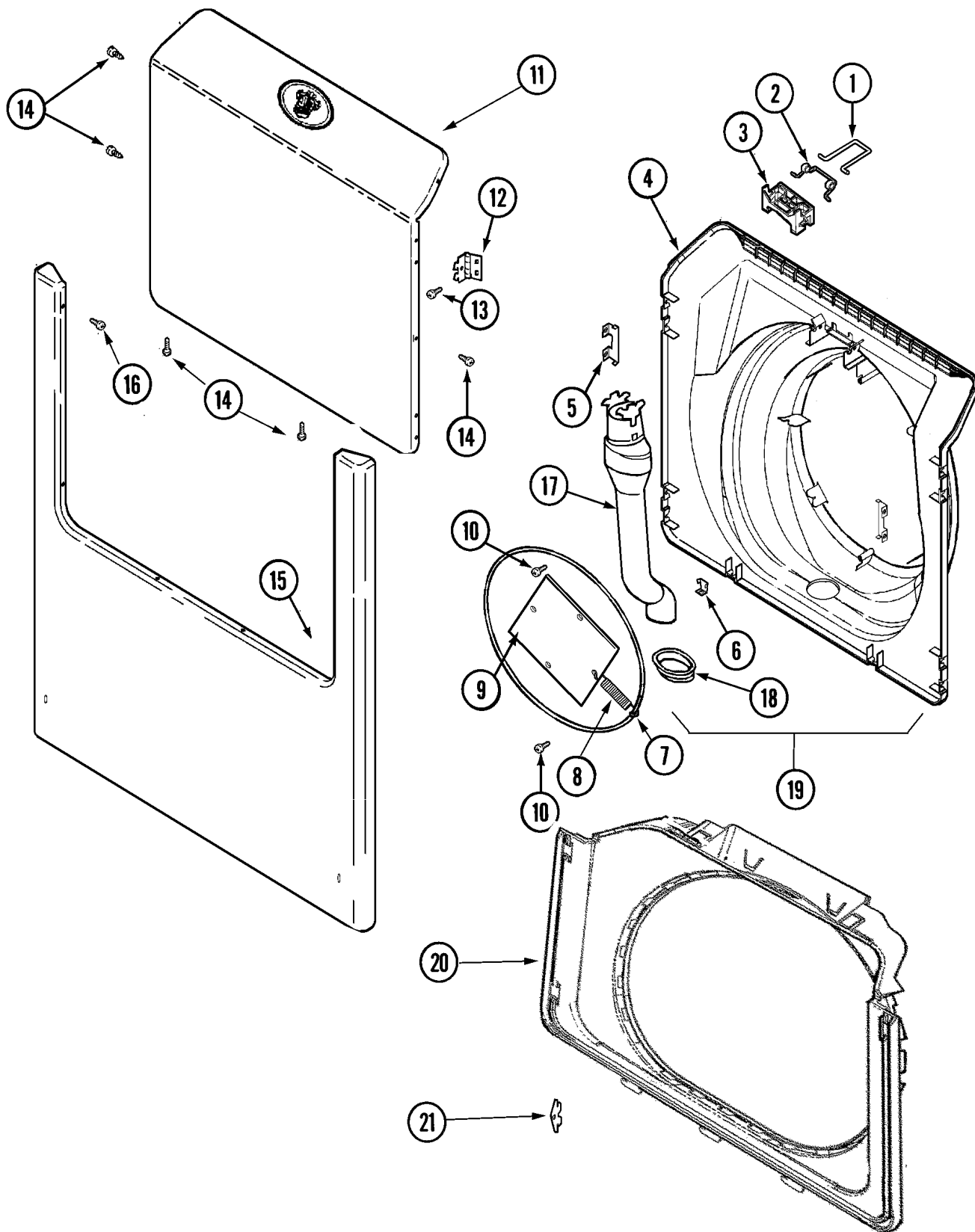
Section: CABINET-FRONT

No.	Part No.	Description	Series	Qty
1	N 22003582	CABINET, ASSY. (WHT-AS PK)	67	1
1	22003639	CABINET ASSY. (WHT AS PK)	72	1
-	22003511	INSULATION Note: (ONE ON EACH SIDE)	10	2
1	22002548	CABINET ASSY. (WHT)	10	1
-	22002013	STOP, SHIPPING	10	2
2	22003298	RETAINER, WIRE	10	2
3	22003409	SCREW----NA Note: SCREW, CABINET (TRUSS)	10	6
4	22002100	SPRING Note: SPRING, TUB TO CABINET	10	2
5	22002297	SUPPORT, SPRING	10	2
6	22001997	SPACER, TOP COVER	10	2
7	22002049	CLIP Note: CLIP, FRONT PANEL	10	2
8	22002090	BRACE, CORNER Note: BRACE, CORNER (RT)	10	1
8	22003622	BRACE, CORNER (RT) Note: BRACE, CORNER (RT)	69	1
9	22001995	SCREW Note: SCREW, SECURITY HOOK	10	4
10	22002178	BRACKET, WATER SWITCH Note: BRACKET, AIR DOME HOSE	10	2
-	22002925	SCREW Note: SCREW, AIR DOME HOSE BRACKET	10	2
11	22001995	SCREW Note: SCREW, FRONT CABINET	10	2
12	22002985	BRACKET, SHROUD (LT)	10	1
12	22003624	BRACKET, SHROUD SUPPORT (LT)	69	1
13	22003625	BRACKET, SHROUD SUPPORT (RT)	69	1
13	22003224	BRACKET, SHROUD (RT)	10	1
14	22003664	SUPPORT, LOWER SHROUD	69	1
15	22002259	BRACE, CROSS	10	2
16	22001995	SCREW Note: SCREW, CLIP TO SECURITY HOOK	10	2
17	22003623	BRACE, CORNER (LT) Note: BRACE, CORNER (LT)	69	1
17	22002292	BRACE, CORNER (LT)	10	1
18	22003637	BRACE ASSEMBLY, TOP CROSS Note: CONTAINS ITEMS 8, 17, & 20	69	1
19	22003638	SHROUD SUPPORT ASSEMBLY Note: CONTAINS ITEMS 12, 13, & 14	10	1
20	22003908	VAPOR BARRIER	86	1
20	22003626	SUPPORT, DOOR LOCK	69	1
20	22002015	SUPPORT, DOOR LOCK	10	1
21	22002957	COVER, LATCH ASSEMBLY (LWR) Note: SEE LATCH SECTION FOR PARTS	10	1
22	22002435	SCREW Note: SCREW, SWITCH COVER	10	1
-	22002119	MOTOR, WAX		1
23	N 22003463	LATCH, ASSY. (EXPORT) Note: SEE LATCH SECTION FOR PARTS	10	1
24	22001995	SCREW Note: SCREW, DOOR LATCH SUPPORT	10	6
25	22002014	CLIP Note: CLIP, WIRE HARNESS	10	1
-	N 22002159	GEAR, SLIDING	10	1
-	N 22002160	AXLE, LATCH	10	1
-	22002161	SPRING, AXLE	10	1
-	22002162	SWITCH, DOOR LOCK SPIN ENABLE	10	1
-	22002163	SWITCH, DOOR LATCH	10	1
-	22002164	CABLE, DOOR	10	1
-	22002007	SCREW	10	1

*Color Code (-)=Not Shown #=Series, Serial Prefix or Run No., N=Not Available

Section: DOOR & FRONT PANEL

Model: MAH3000BGW



LW18-15

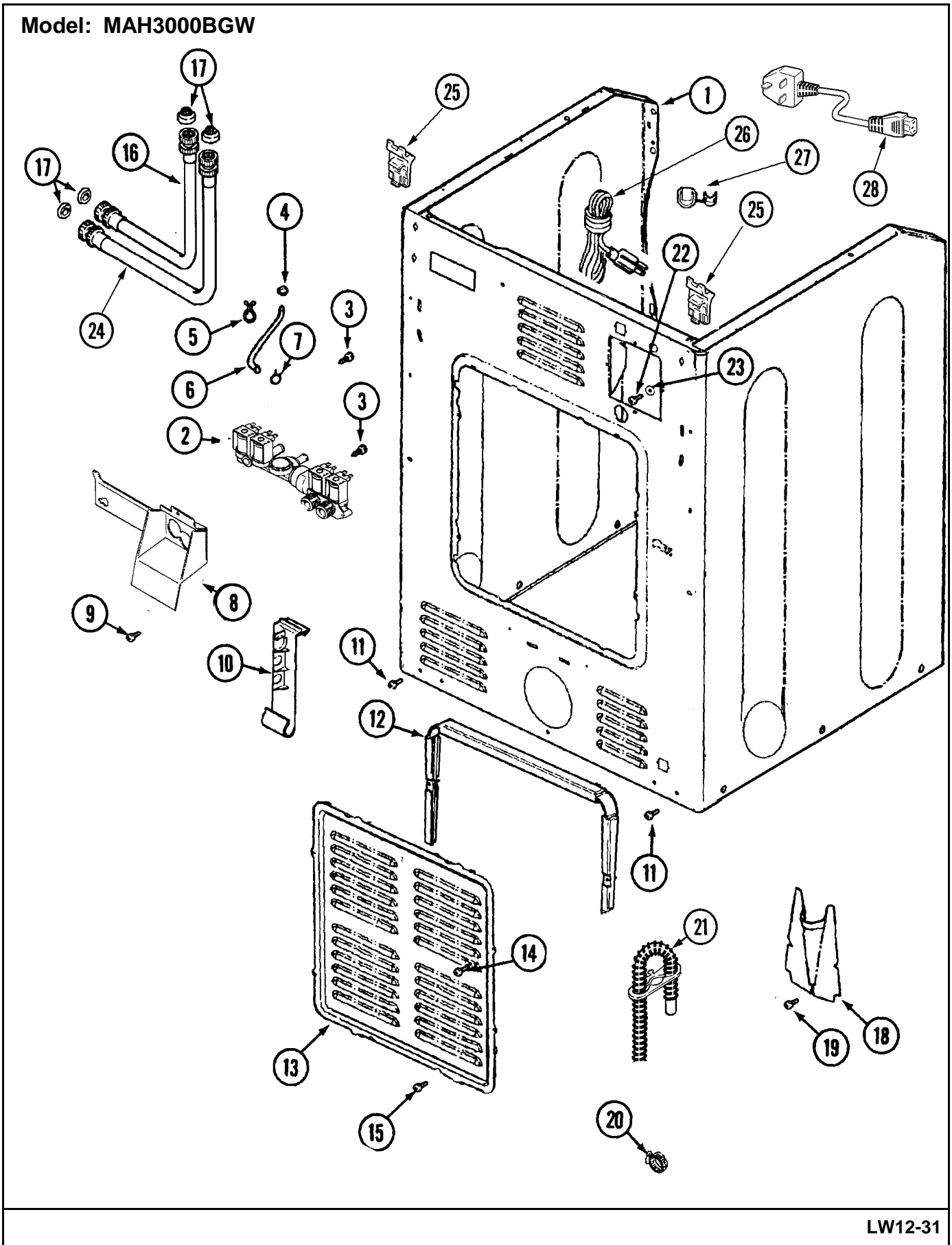
Section: DOOR & FRONT PANEL

No.	Part No.	Description	Series	Qty
-	22003908	VAPOR BARRIER	86	1
1	22003222	HOOP, LOCK	10	1
-	22002443	LABEL, SAFETY	10	1
2	22002003	SPRING, LATCH	10	1
3	22002168	SUPPORT, LOCK HOOP	10	1
4	22003076	DOOR, INNER (WHT)	10	1
-	22003800	INNER DOOR/VENTED (ASPK-WHT)	76	1
5	22002038	CLIP, DOOR (DOUBLE)	10	4
6	22002039	CLIP, DOOR (SINGLE)	10	2
7	22002104	WIREFRAME Note: FRAME, WIRE	10	1
8	22002356	SPRING, PLATE Note: SPRING, DOOR PLATE	10	4
9	22002094	PLATE	10	1
10	22002007	SCREW Note: SCREW, WIRE FRAME	10	2
11	33001748	DOOR, OUTER (WHT)	10	1
-	22001817	SHEET, SOUND DAMPER (FT. PNL) Note: PAD, SOUND DAMPER	10	1
-	33001764	COVER, HINGE HOLE (WHT)	75	2
-	22002095	COVER, HINGE (WHT)	10	1
12	22002798	HINGE, DOOR Note: HINGE, DOOR	10	2
-	33001787	SCREW, HINGE	75	2
13	22002062	SCREW Note: SCREW, HINGE	10	4
14	22002063	SCREW #8-18AB WAFER HD	10	1
-	22001995	SCREW Note: SCREW, FRONT PANEL CLIP	10	2
-	22002239	CLIP, LOWER FRONT PANEL	10	2
15	22002241	PANEL, FRONT (WHT)	10	1
-	22003511	INSULATION	10	1
-	22002244	CLIP, GROUNDING	10	1
16	22002012	SCREW, HINGE Note: SCREW, HINGE	10	4
17	22003576	VENT TUBE ASSY.	10	1
18	22003075	GROMMET, VENT TUBE	10	1
19	22003083	LINER, DOOR ASSY W/VENT (WHT)	10	1
20	22002234	SHROUD, PLASTIC (WHT)	10	1
21	22002095	COVER, HINGE (WHT)	10	2

*Color Code (-)=Not Shown #=Series, Serial Prefix or Run No., N=Not Available

Section: CABINET-REAR

Model: MAH3000BGW



LW12-31

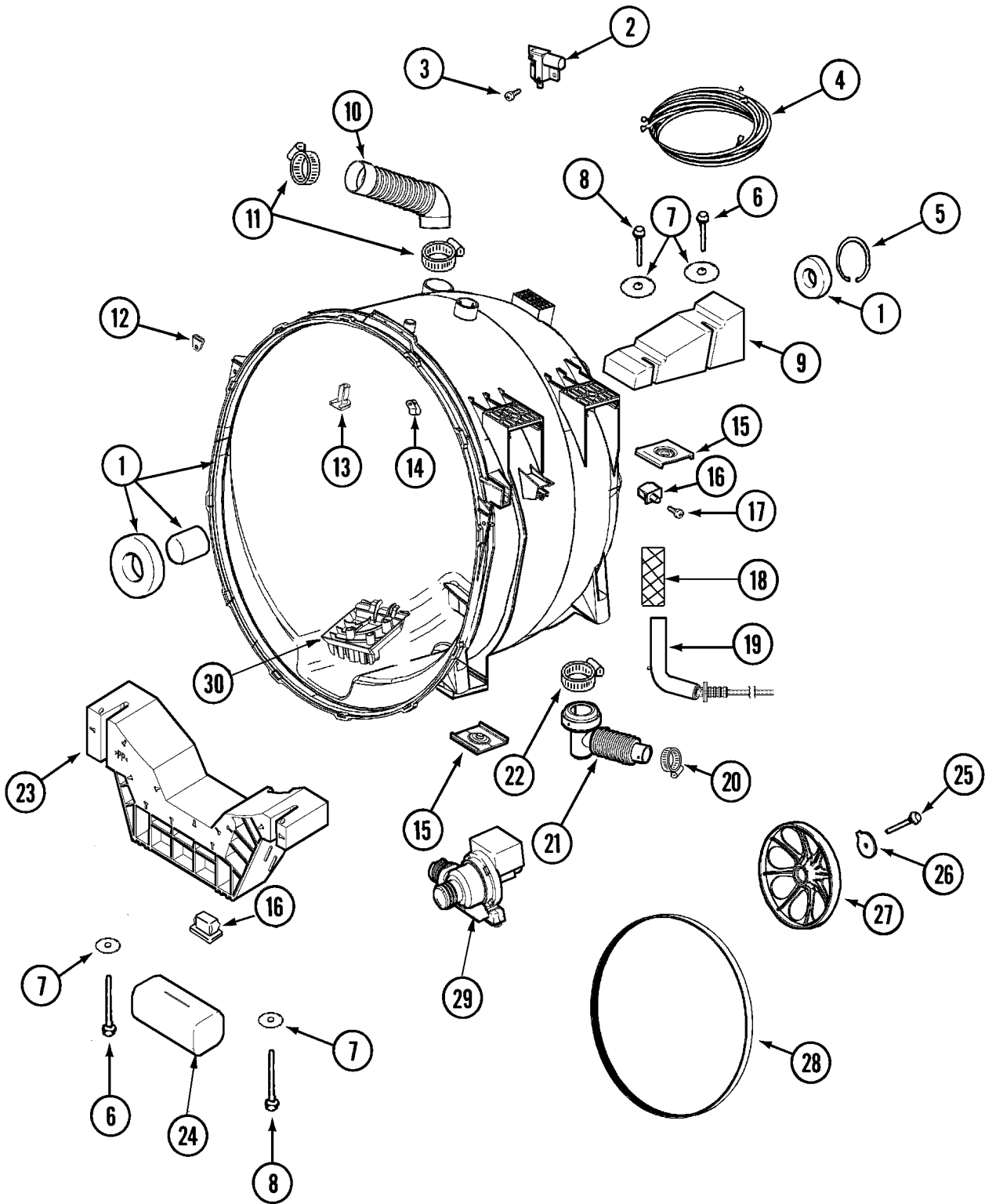
Section: CABINET-REAR

No.	Part No.	Description	Series	Qty
-	22001995	SCREW Note: SCREW, HINGE	10	2
1	22003639	CABINET ASSY. (WHT AS PK)	72	1
1	22002548	CABINET ASSY. (WHT)	10	1
1	N 22003582	CABINET, ASSY. (WHT-AS PK)	67	1
-	22002445	LABEL, SAFETY	10	1
-	205161	CLAMP - 15/16" Note: (BLEACH, HOSE) (FABRIC SOFTNER HOSE) (DETERGENT HOSE)	10	3
2	22002903	VALVE, WATER	10	1
3	22002436	SCREW Note: SCREW, WATER VALVE	10	2
4	22003627	CLAMP, STEPLESS	10	1
5	22002027	WIRE TIE, TWIST LOCK	10	2
-	22003628	TIE, CABLE	10	1
6	22002083	HOSE, INJECTOR	10	1
-	Y00000000	SEE NOTE	10	1
7	22003627	CLAMP, STEPLESS Note: CLAMP, INJECTOR HOSE	10	1
8	33002212	BRACKET, WATER VALVE	10	1
9	22002925	SCREW Note: SCREW, WATER VALVE BRACKET	10	2
10	33002213	RACK, HOSE	10	1
11	22001995	SCREW Note: SCREW, CABINET	10	2
12	22002022	SPACER, ACCESS PANEL	10	1
13	22002092	PANEL, ACCESS	10	1
14	22002295	SCREW Note: SCREW, ACCESS PANEL SPACER	10	2
15	22002925	SCREW Note: SCREW, ACCESS PANEL	10	2
-	22002960	STRAINER, WASHER INLET	10	2
16	35-3401	HOSE, INLET (HOT) Note: HOSE ASSY - INLET HOT	10	1
17	Y013783	GASKET, INLET HOSE Note: WASHER, INLET HOSE GASKET	10	4
18	22002704	COVER, DRAIN HOSE	10	1
19	22001995	SCREW Note: SCREW, DRAIN HOSE BRACKET	10	1
20	22001984	CLAMP, DRAIN HOSE	10	1
-	22003628	TIE, CABLE	10	1
-	22002892	RETAINER, DRAIN HOSE	10	1
21	12001659	DRAIN HOSE REPLACEMENT(NEPTUN) Note: DRAIN HOSE KIT (CORRUGATED) (INCLUDES THE FOLLOWING PARTS)	10	1
-	22003319	HOSE, DRAIN (CORR)(80 1/2")	10	1
22	N 33001245	SCREW----NA Note: SCREW, GROUND LUG	10	1
23	N 313363	WASHER Note: WASHER, GROUND LUG	10	1
24	35-3400	HOSE, INLET (COLD)	10	1
25	22003367	HINGE, PLASTIC	10	2
26	22003540	CORD, POWER (EXPORT)	10	1
27	216183	GROMMET, CORD EXPORT	10	1
-	22003543	ADAPTER (BRITIAN) 10 AMP	10	1
-	22003541	ADAPTER (AUSTRALIA) 10 AMP	10	1
28	22003542	ADAPTER (GEN EXPORT) 10 AMP	10	1
-	22003480	CORD LOCK (10AMP)	10	1

*Color Code (-)=Not Shown #=Series, Serial Prefix or Run No., N=Not Available

Section: OUTER TUB

Model: MAH3000BGW



LW13-69

Section: OUTER TUB

No.	Part No.	Description	Series	Qty
-	22004080	OUTER TUB ASSEMBLY AS-PK KIT	A1	1
1	22003413	OUTER TUB ASSY.(NC AS PACKED) Note: (SPACER & BEARINGS AVAILABLE ONLY WITH OUTER TUB ASSY.)	10	1
-	22003302	SWITCH, INTERNAL UNBALANCE		1
-	22003302	SWITCH, INTERNAL UNBALANCE	97	1
2	22002045	SWITCH, INERTIAL - UNBALANCE Note: SWITCH, INERTIAL UNBALANCE	10	1
3	22002300	SCREW	10	2
-	22002061	SCREW	97	1
4	22002860	HARNESS/SWITCH ASSY.(UPR)	10	1
5 N	22001981	RING, RETAINING	10	1
6	22001991	BOLT Note: BOLT (LONG)	10	2
7 N	22002067	WASHER, COUNTER BALANCE	10	4
8	22002056	BOLT Note: BOLT (SHORT)	10	2
9	22002102	WEIGHT, COUNTER BALANCE	10	1
10	22002083	HOSE, INJECTOR	10	1
11	22003627	CLAMP, STEPLESS	10	2
12	22002103	CLIP, U	10	2
13	22002959	DEFLECTOR, WATER	10	1
14	22002006	CLIP Note: CLIP, WIRE HARNESS & OUTER TUB	10	3
15	22002065	NUT, COUNTER BALANCE	10	2
16	22002044	SWITCH, TUB DISPLACEMENT	10	2
-	22003065	COVER, UNBALANCE SWITCH	92	1
-	22002044	SWITCH, TUB DISPLACEMENT	97	1
-	22002044	SWITCH, TUB DISPLACEMENT	19	1
-	22003065	COVER, UNBALANCE SWITCH	10	1
-	22004051	UNBALANCE SWITCH SHIELD	85	1
17	22002061	SCREW Note: SCREW, BRACKET TO TUB	10	1
18	33002224	SLEEVING, BRAIDED Note: SLEEVE, AIR DOME HOSE	10	1
19	22003628	TIE, CABLE Note: TIE, WIRE AIR DOME HOSE	10	1
19	22002010	HOSE, AIR DOME	10	1
20	22001984	CLAMP, DRAIN HOSE Note: CLAMP, DRAIN HOSE TO PUMP	10	1
21	22003262	HOSE, TUB TO PUMP	10	1
22	22002053	CLAMP, SUMP HOSE	10	1
23	22002579	FRONT WEIGHT BRACKET	10	1
24	22003225	CUSHION	10	1
25	22002057	SCREW, SPINNER	10	1
-	22003936	WASHER (1 1/4")	89	1
26	22002055	WASHER, SPINNER SHAFT	10	1
27	22001998	PULLEY, SPINNER	10	1
28	12001788	KIT, BELT & ISOLATOR	10	1
29	22002809	PUMP (50HZ) Note: PUMP, WATER (50HZ)	10	1
30	22003710	SUMP CAP W/ LABYRINTH FEATURE	84	1

*Color Code (-)=Not Shown #=Series, Serial Prefix or Run No., N=Not Available

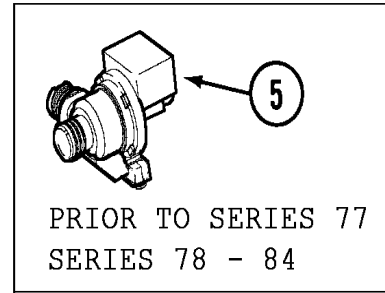
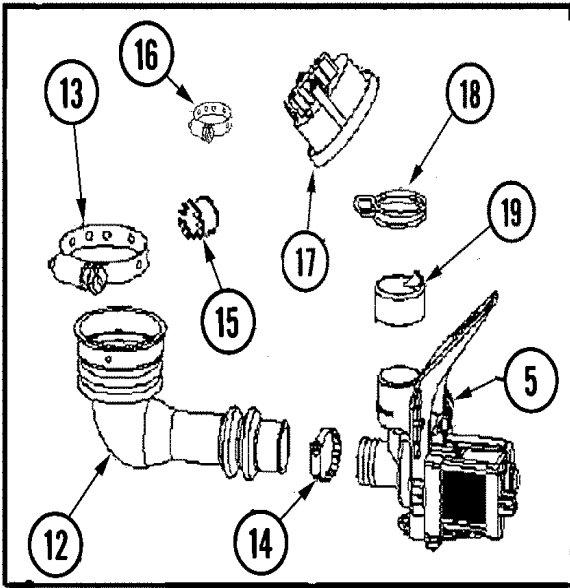
Section: SPINNER ASSEMBLY & OUTER TUB COVER

No.	Part No.	Description	Series	Qty
-	12002022	LIP SEAL KIT	A1	1
1	12001478	LIP SEAL SVC ASSY.	10	1
2	22002327	BOOT CABLE CLAMP	10	1
3	22002897	SUPPORT ASSY., SPINNER	10	1
-	22004108	O RING	A1	1
-	22004081	SPINNER SUPPORT ASSY AS-PK KIT	A1	1
-	22002123	TUBE, MOLYKOTE	10	1
-	22003925	SPINNER SUPPORT ASSY AS PACK	89	1
4	22002023	WASHER, PLASTIC	10	3
-	22003257	CAP, SUMP Note: CAP, SUMP PILOT	77	1
5	22003549	SPINNER ASSY. (W/BALANCE RING) Note: (BALANCE RING NOT AVAILABLE AS A SEPERATE PART)	10	1
-	22003263	SCREW	84	1
-	22003257	CAP, SUMP	84	1
-	22003263	SCREW Note: SCREW PILOT	77	1
6	22002482	WASHER, PROFILE	10	3
7	22002020	WASHER, SPINNER SUPPORT	10	3
8	22002122	NUT, SPINNER ATTACHMENT	10	3
9	22001985	BAFFLE, DRIP (REAR)	10	3
10	22002009	GROMMET, BAFFLE (REAR)	10	3
11	22001999	GROMMET, BAFFLE (FRT) Note: GROMMET, BAFFLE (FRONT)	10	3
12	22003556	SCREW Note: SCREW, BAFFLE (REAR)	10	6
13	22001986	BAFFLE, DRIP (FRONT)	10	3
14	22002059	SCREW Note: SCREW, BAFFLE (FRONT)	10	6
15	22002077	SEAL, TUB COVER	10	1
16	22002050	CLIP, TUB TO COVER	10	12
-	22004264	ASSY., TUB COVER & SEAL	A5	1
17	22003212	COVER, TUB (W/SEAL) (ASP)	10	1
18	22003074	GUARD, HOSE	10	1
19	22002099	SPRING, TUB	10	1
20	22003071	DOOR BOOT DRAIN HOSE Note: HOSE, DOOR BOOT DRAIN	10	1
21	22003072	CLAMP, HOSE DOUBLE WIRE Note: CLAMP, HOSE TO DOOR BOOT	10	1
22	12001772	KIT, DOOR BOOT W/DRAIN	10	1
23	22003073	CLAMP, HOSE DOUBLE WIRE	10	1

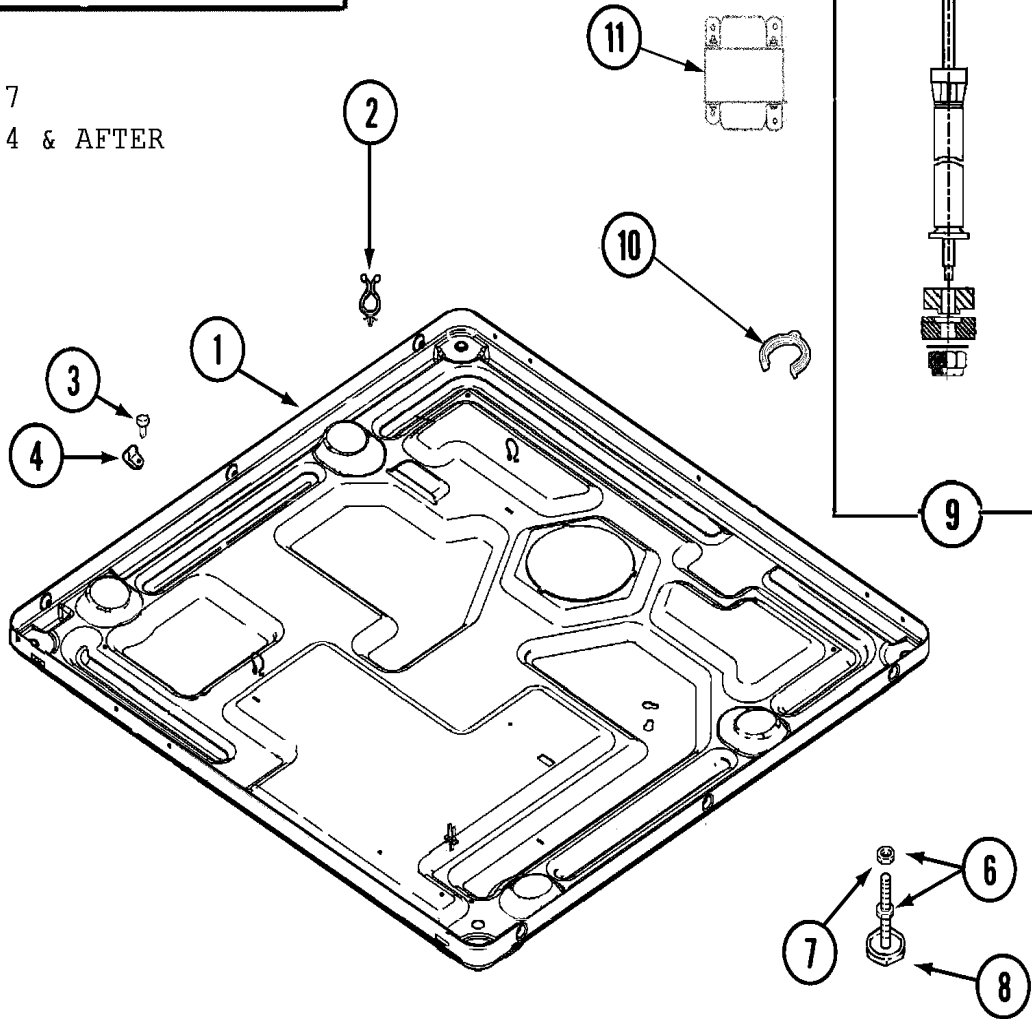
*Color Code (-)=Not Shown #=Series, Serial Prefix or Run No., N=Not Available

Section: BASE

Model: MAH3000BGW



SERIES 77
SERIES 84 & AFTER



LW10-54

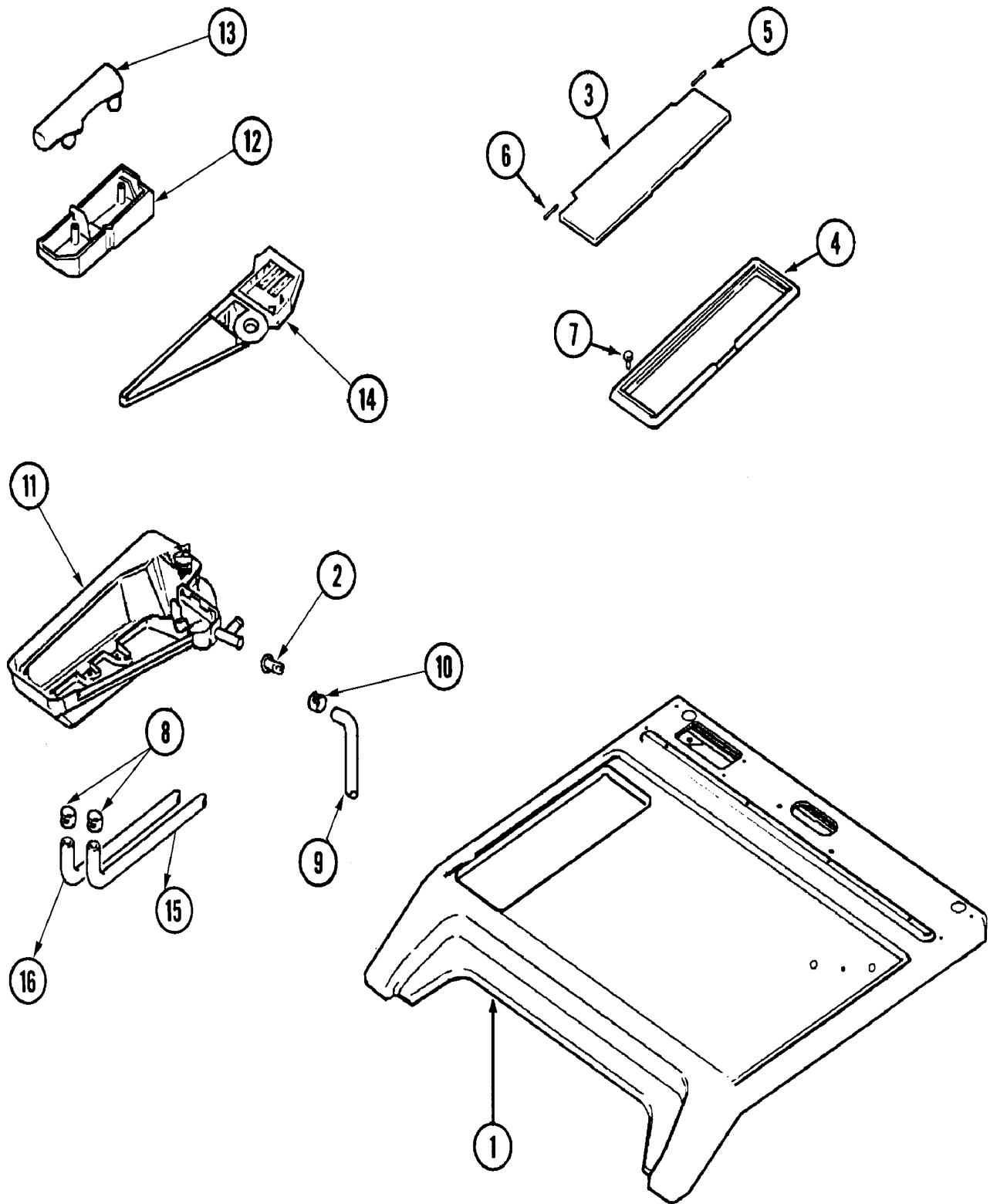
Section: BASE

No.	Part No.	Description	Series	Qty
1	22002240	BASE	10	1
-	22003605	BASE WELD ASSEMBLY	72	1
-	22003580	BASE, ASSEMBLY	67	1
2	22003298	RETAINER, WIRE	10	5
3	212276	SCREW Note: SCREW, WIRE HARNESS CLIP	10	1
4	22002014	CLIP Note: CLIP, WIRE HARNESS	10	1
5	22003635	PUMP, HIGH TORQUE	80	1
5	22003709	PUMP,DRAIN (50HZ)	84	1
5	22003709	PUMP,DRAIN (50HZ) Note: PUMP,DRAIN (50HZ) PILOT	77	1
5	25001012	PUMP ISOLATOR BRACKET Note: ITEM NOT SHOWN IN GRAPHICS	10	1
6	22003544	ADJUSTABLE LEG W/FOOT & NUT	10	4
7	Y052740	NUT	10	4
8	210684	FOOT, RUBBER	10	4
9	22001988	STRUT ASSY-REAR Note: (DOES NOT INCLUDE ITEM #15) INCLUDES 2 STRUTS	10	1
10	22003080	CLIP, AIRDOME HOSE	10	1
-	33001882	SCREW, SELF DRILLING Note: SCREW, SHIELD	10	1
-	22002477	SHIELD, TRANSFORMER	10	1
11	22002476	TRANSFORMER Note: (NOT INCLUDED AS PART OF #9)	10	1
11	22003778	TRANSFORMER	82	1
12	22003262	HOSE, TUB TO PUMP Note: HOSE, TUB TO PUMP PILOT	77	1
12	22003262	HOSE, TUB TO PUMP	84	1
13	22002053	CLAMP, SUMP HOSE Note: CLAMP, SUMP HOSE PILOT	77	1
13	22002053	CLAMP, SUMP HOSE	84	1
14	22001984	CLAMP, DRAIN HOSE	84	1
15	22003261	PLUG, OUTER TUB Note: PLUG, OUTER TUB PILOT	77	1
15	22003261	PLUG, OUTER TUB	84	1
16	22003295	CLAMP, HOSE DOUBLE WIRE Note: CLAMP, OUTER TUB PLUG PILOT	77	1
16	22003295	CLAMP, HOSE DOUBLE WIRE	84	1
- N	22003265	BAG, PLASTIC W/DRAWSTRING Note: BAG, PLASTIC W/DRAW PILOT	77	1
17	22003727	PRESSURE SWITCH, PUMP MOUNTED	84	1
- N	22003265	BAG, PLASTIC W/DRAWSTRING	84	1
17	22003727	PRESSURE SWITCH, PUMP MOUNTED Note: PRESSURE SWITCH, PUMP PILOT USE FOR SERIES 77 AND FOR LAT SERIES 84 AND LATER SEE ITEM 5 FOR OTHER SERIES	77	1
18	22002853	CLAMP, HOSE	84	1
18	22002853	CLAMP, HOSE Note: CLAMP, HOSE PILOT	77	1
19	22003268	CAP, RUBBER	84	1
19	22003268	CAP, RUBBER Note: CAP, RUBBER PILOT	77	1

*Color Code (-)=Not Shown #=Series, Serial Prefix or Run No., N=Not Available

Section: TOP

Model: MAH3000BGW



LW16-47

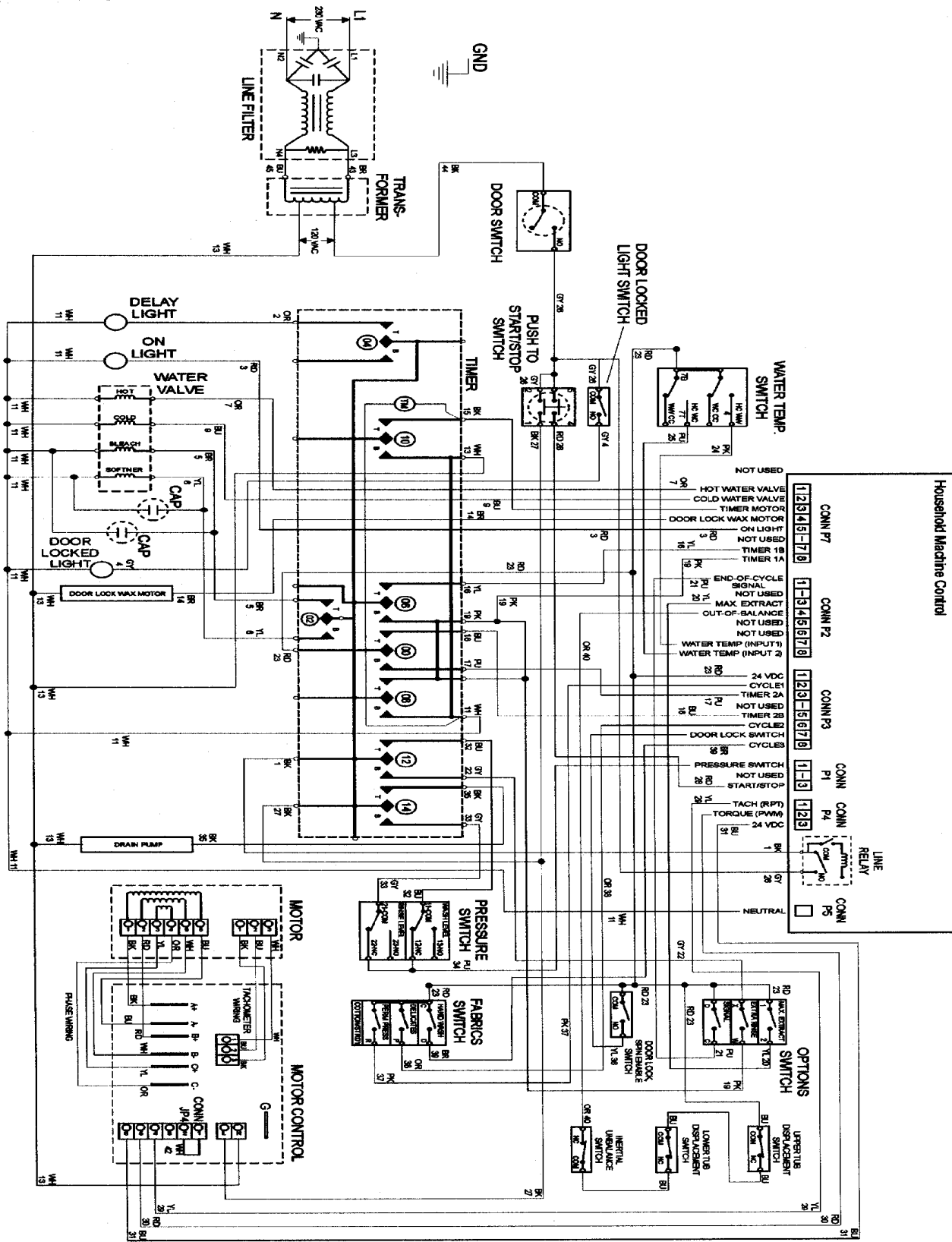
Section: TOP

No.	Part No.	Description	Series	Qty
-	22003584	COVER, TOP (WHT-AS PK)	67	1
1	22002116	COVER, TOP (WHT)	10	1
2	22001900	PREVENTER, BACK FLOW Note: PREVENTER, DISP. BACK FLOW	10	1
3	22002493	LID, DISPENSER (WHT)	10	1
4	22002290	BEZEL, DISPENSER (WHT)	10	1
5	Y912678	PIN, HINGE (LONG) Note: PIN, HINGE (LONG)	10	1
6	Y912679	PIN, HINGE (SHORT) Note: PIN, HINGE (SHORT)	10	1
7	22002230	SCREW, DISPENSER Note: SCREW, DISPENSER BEZEL	10	2
8	205161	CLAMP - 15/16" Note: CLAMP, SOFTNER / BLEACH HOSE	10	2
9	22002556	HOSE, SHOWER	10	1
10	202515	HOSE CLAMP - 1-1/16 INCH Note: CLAMP, SHOWER HOSE	10	1
11	22002768	DISPENSER BOTTOM	10	2
12	22002265	CUP, SIPHON	10	1
13	22002266	CAP, SIPHON	10	1
14	22002555	FLUME, DISPENSER Note: FLUME, DISPENSER TOP	10	1
15	22002551	HOSE, BLEACH	10	1
16	22003634	HOSE, FABRIC SOFTENER	10	1

*Color Code (-)=Not Shown #=Series, Serial Prefix or Run No., N=Not Available

Section: WIRING INFORMATION

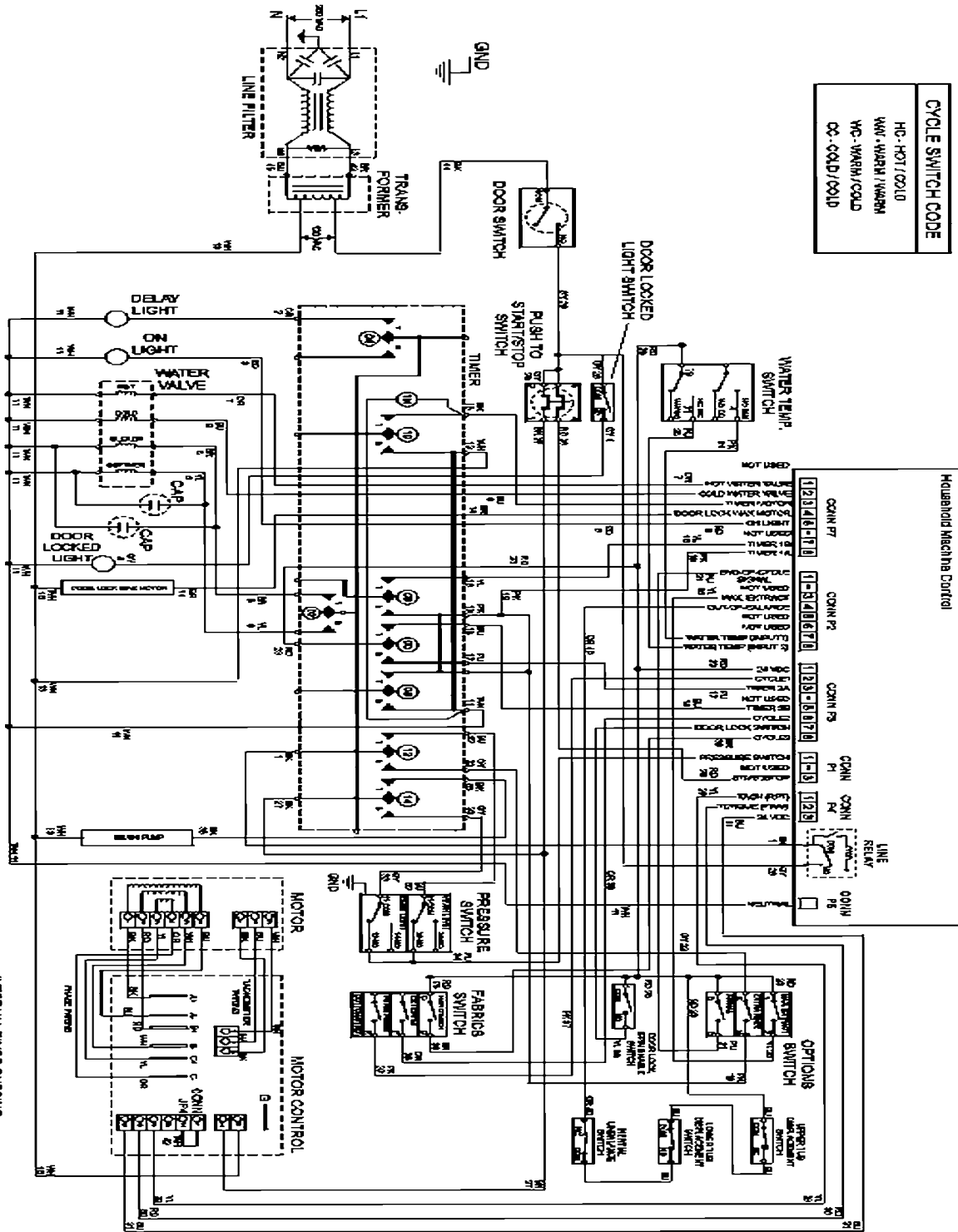
Model: MAH300BGW



15002851

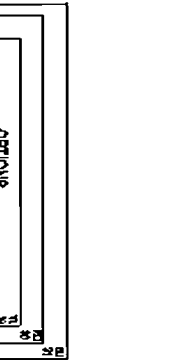
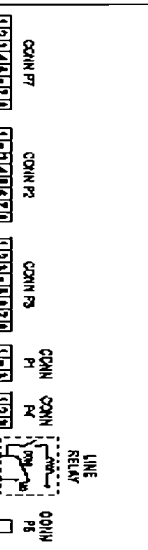
Section: WIRING INFORMATION

Model: MAH3000BGW



CYCLE SWITCH CODE	
HC - HOT / COLD	WC - WARM / WARM
WC - WARM / COLD	CC - COLD / COLD

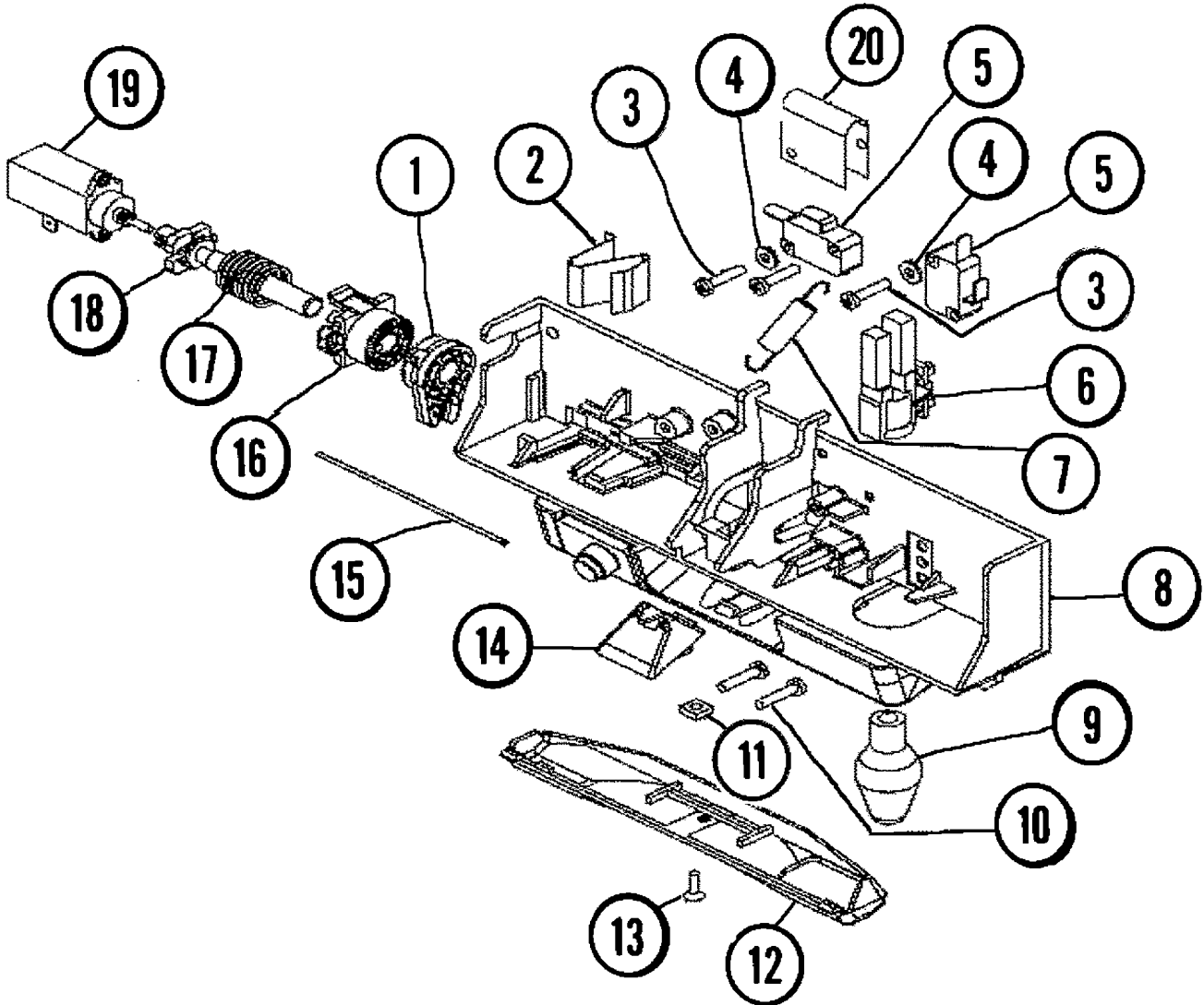
Humidifier Machine Control



15002940

Section: LATCH ASSEMBLY PARTS LIST

Model: MAH3000BGW



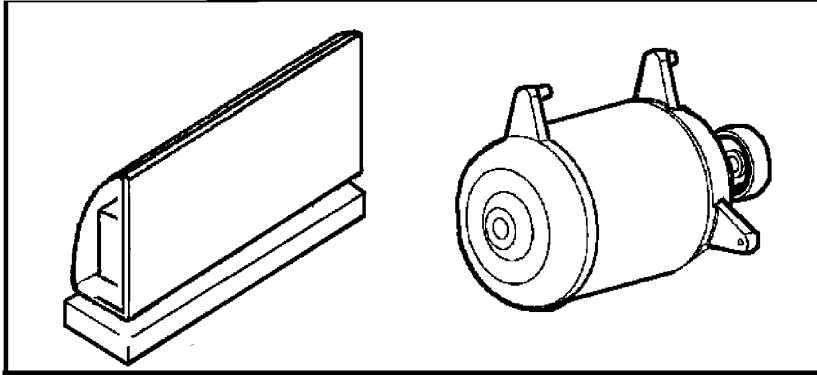
Section: LATCH ASSEMBLY PARTS LIST

No.	Part No.	Description	Series	Qty
1	22003716	ROTATING GEAR, LATCH	10	1
2	22003717	SPRING, LATCH	10	1
3	22001352	SCREW, CHECK SWITCH	10	3
4	22002165	WASHER, DOOR LOCK SWITCH	10	2
5	22002162	SWITCH, DOOR LOCK SPIN ENABLE	10	2
6	22002433	BULB HOLDER ASSEMBLY	10	1
7	22002158	SPRING, GEAR RETURN	10	1
8	22003067	SWITCH HOLDER ASSEMBLY	10	1
9	22002263	LAMP (10 WATT)	10	1
10	22003719	SCREW, LATCH	10	2
11	22003720	NUT, LATCH	10	1
12	22002434	COVER, BULB	10	1
13	22002435	SCREW	10	1
14	22003055	RAMP, DOOR HOOP	10	1
15	22002164	CABLE, DOOR	10	1
16	22003715	SLIDING GEAR, LATCH	10	1
17	22003721	SPRING, AXLE / LATCH	10	1
18	22003718	AXLE, LATCH	10	1
19	22002119	MOTOR, WAX	10	1
20	22004256	SHIELD	10	1

*Color Code (-)=Not Shown #=Series, Serial Prefix or Run No., N=Not Available


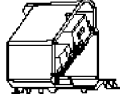






Section: MOTOR & MOTOR CONTROL

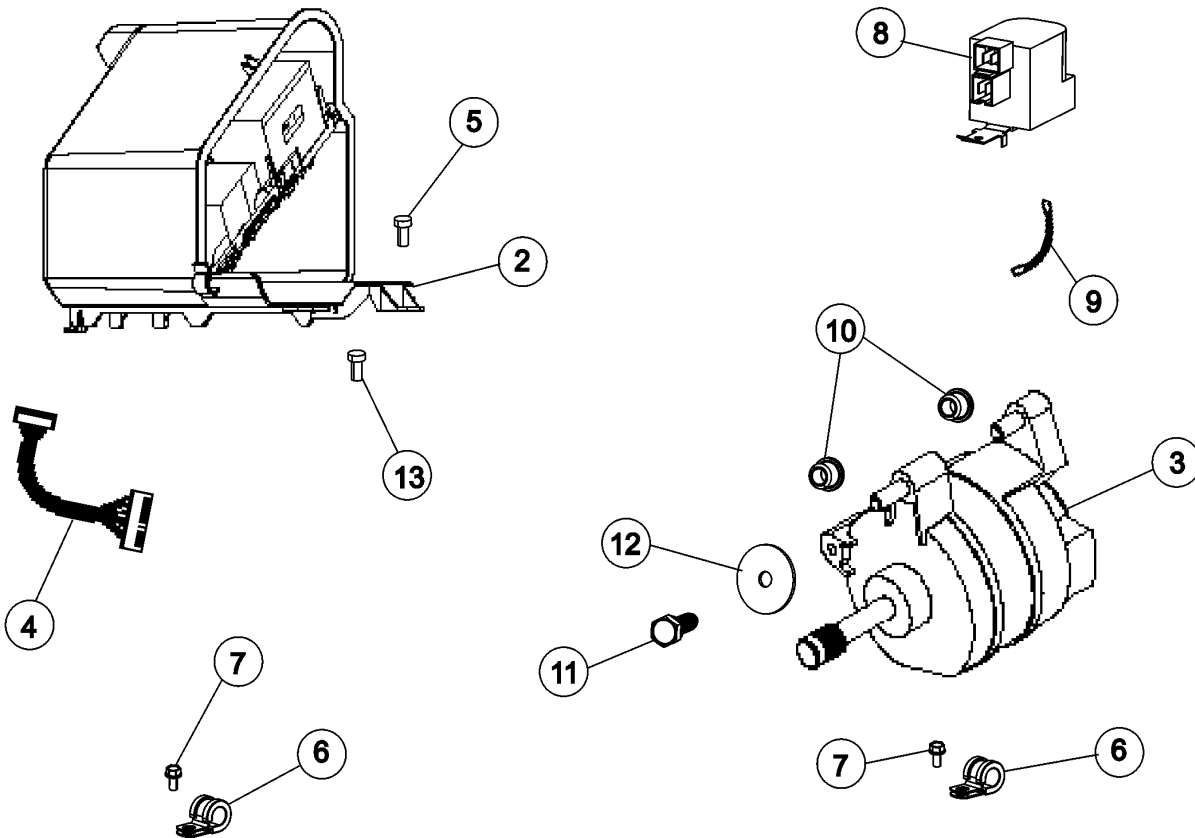
Model: MAH3000BGW



1 USE FOR ITEM 2 PRIOR TO SERIES 62

ITEM 1 - KIT CONTAINS:

							
12002040 Motor w/isolators	22004046 Motor Control Board	22004047 Motor Harness	22003854 AC Line Filter	22004102 "P" Clips (2)	22002300 Screw - "P" Clip to Motor	22004101 Lower Jumper Wire harness	22004103 Ground Screw



LW14-27

Section: MOTOR & MOTOR CONTROL

No.	Part No.	Description	Series	Qty
1	12002039	NEPTUNE MOTOR CONVERSION KIT	10	1
2	22004046	CONTROL ASSY., MOTOR	62	1
2	12002039	NEPTUNE MOTOR CONVERSION KIT	10	1
3	22003442	MOTOR, (156 T) 60HZ 120V	10	1
3	22003856	MOTOR, VARIABLE SPEED	27	1
3	22003856	MOTOR, VARIABLE SPEED	62	1
4	22002471	WIRE HARNESS, MOTOR CONTROL	10	1
4	22004047	HARNESS, MOTOR/MOTOR CONTROL	62	1
5	212276	SCREW	10	2
6	22002173	CLIP, WIRE HARNESS	10	2
7	310632	SCREW	10	2
8	33002501	FILTER, EMI	10	1
8	22003854	EMI SUPPRESSION FILTER, 12A	62	1
9	22004101	REPAIR JUMPER HARNESS	10	1
10	22003329	ISOLATOR, MOTOR	10	2
11	22003632	BOLT, MOTOR	10	1
11	22003686	BOLT, MOTOR	73	1
12	22002320	WASHER, STRUT	10	1
13	22002019	SCREW	10	1

*Color Code (-)=Not Shown #=Series, Serial Prefix or Run No., N=Not Available

