

# WASHER

## Repair Parts List

MODEL NUMBER

MAF35MC1

When requesting service or ordering parts, always provide the following information:

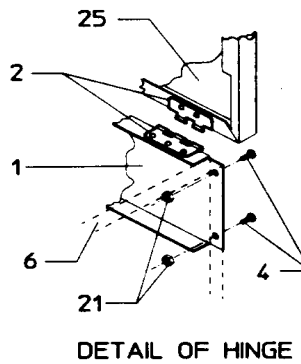
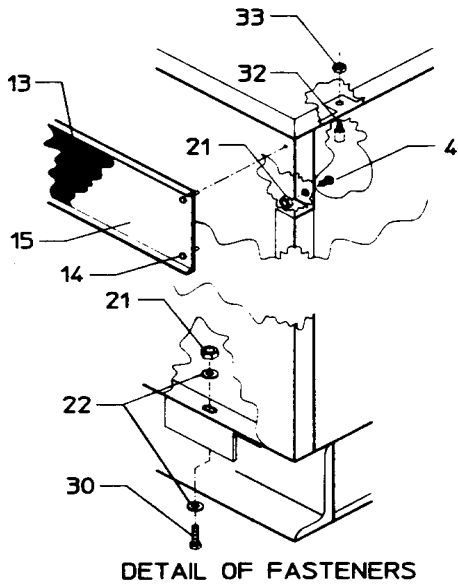
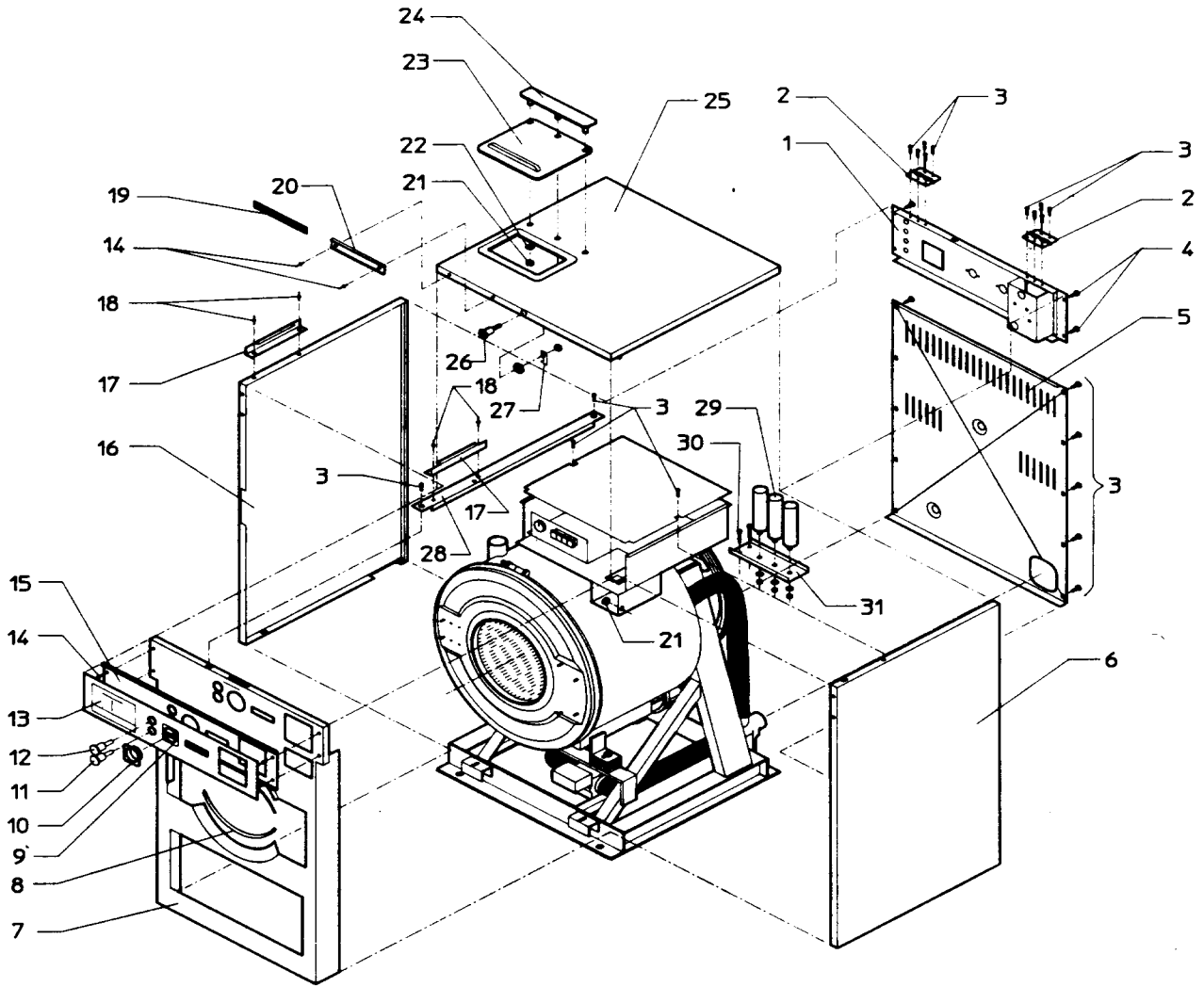
- Product Type
- Part Number
- Model Number
- Part Description

**MAYTAG**®

©2005 Maytag Services

Section: MAIN EXPLODED VIEW - FINAL ASSEMBLY

Model: MAF35MC1



721132

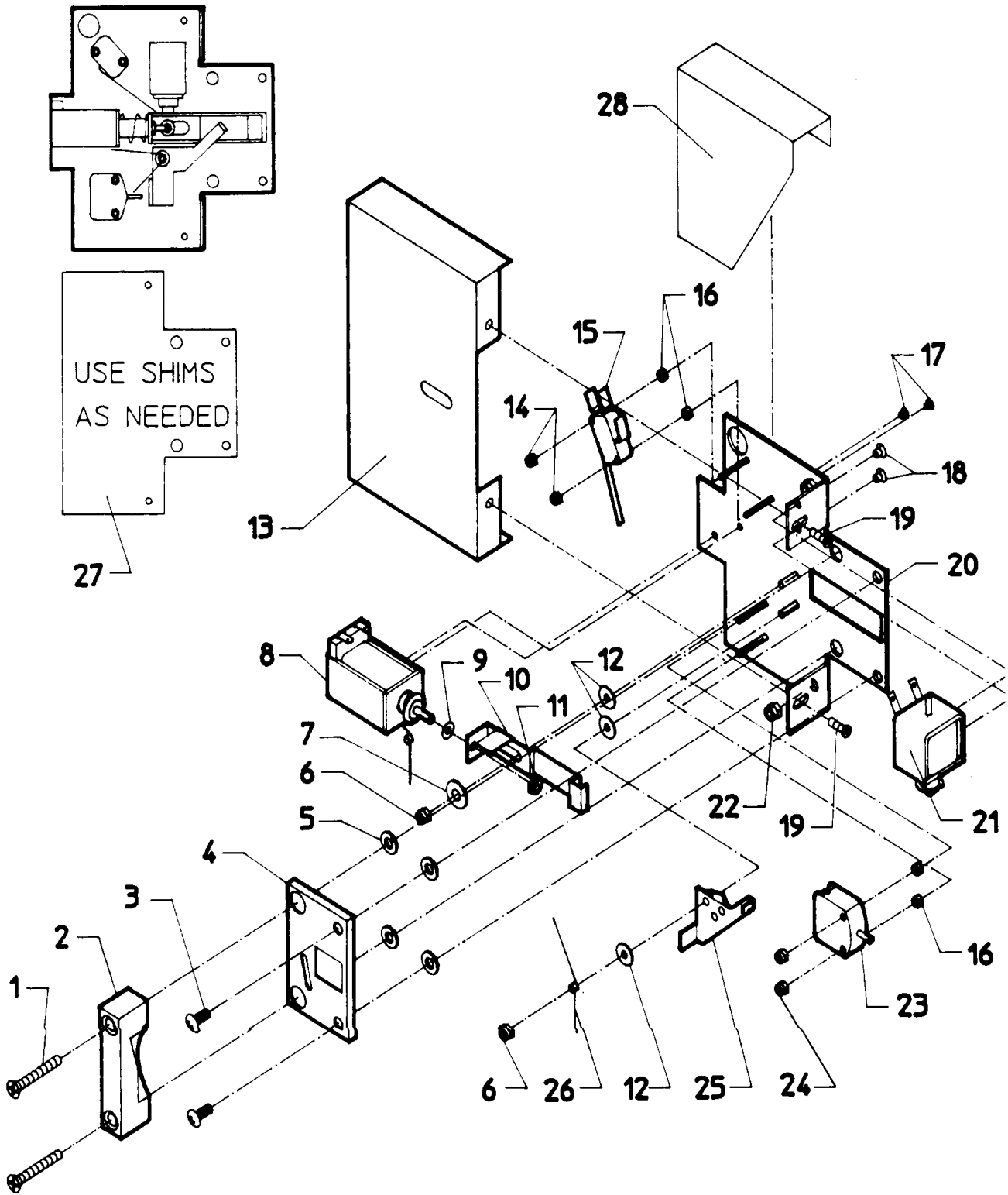
## Section: MAIN EXPLODED VIEW - FINAL ASSEMBLY

| No.  | Part No. | Description   | Series Qty |
|------|----------|---|------------|
| 1    | 24001170 | PANEL KIT, VALVE  | 1          |
| 2    | 24001300 | HINGE (TAKE APART) Note: (PREV. PART #602784 NOTE: USE 18003070 BEFORE SERIAL NUMBER) | 2          |
| -    | 24001676 | HINGE, TOP COVER Note: (NOTE: 18003069 AFTER SERIAL NUMBER)                           | 2          |
| 3    | 24001301 | SCREW (8-18 X 3/8")   | 24         |
| 4    | 24001323 | SCREW (1/4-20 X 1/2")   | 8          |
| 5    | 24001403 | KIT, PANEL (REAR)   | 1          |
| 6    | 24001159 | PANEL KIT, SIDE (RT.)35   | 1          |
| 7    | 24001678 | PANEL, FRONT (INR)  | 1          |
| 8    | 24001550 | TRIM, PANEL (INNER FRONT)   | 2          |
| 9    | 24001679 | DECAL, CYCLE INDICATOR  | 1          |
| 10   | 24001680 | GLASS, TIMER  | 1          |
| 11   | 24001681 | LIGHT, INDICATOR (RED 110V)   | 1          |
| 12   | 24001682 | LIGHT, INDOCATOR (AMBER 110V)   | 1          |
| 13   | 24001684 | DECAL, MAYTAG   | 1          |
| 14   | 24001533 | RIVET, POP S.S. (1/8" X 1/4")   | 6          |
| 15   | 24001687 | PANEL, CONTROL (ALUM)   | 1          |
| 16   | 24001157 | PANEL KIT, SIDE (LT.)35   | 1          |
| 17   | 24001539 | BRACKET, SOAP DISPENSER   | 2          |
| 18   | 24001540 | RIVET, BLIND S.S. (1/8 X 5/16)  | 4          |
| 19   | -----    | NOT REQUIRED PART OR SEE NOTE Note: PART NUMBER NOT AVAILABLE                         | 1          |
| 20   | 24001671 | NAMEPLATE   | 1          |
| 21   | 24001510 | NUT, S.S. (1/4"-20)   | 3          |
| 22   | 24001295 | LOCKWASHER  | 3          |
| 23   | 24001219 | COVER, SOAP DSPNSR  | 1          |
| 24   | 24001542 | CLAMP, SOAP DISPENSER   | 1          |
| 25 N | 24001165 | COVER KIT, TOP Note: KIT ASSY., TOP COVER   | 1          |
| 26   | 24001220 | LOCK, TOP COVER   | 1          |
| 27   | 24001221 | LATCH, TOP COVER  | 1          |
| 28   | 24001690 | BRACE, TOP  | 1          |
| 29   | 24001240 | CAPACITOR (10MF)  | 1          |
| 29   | 24001237 | CAPACITOR (50MF)  | 1          |
| 29   | 24001242 | CAPACITOR (160MF)   | 1          |
| 30   | 24001303 | SCREW (1/4-20 X 1-1/4")   | 8          |
| 31   | 24001674 | BRACKET, CAPACITOR  | 1          |
| 32   | 24001305 | NUT, FIBERLOCK (1/4)  | 17         |
| 33   | 24001425 | NUT, FIBERLOCK, PLTD (6-32)   | 1          |
| 34   | -----    | NOT REQUIRED PART OR SEE NOTE Note: PART NUMBER NOT AVAILABLE                         | 1          |

\*Color Code (-)=Not Shown #=Series, Serial Prefix or Run No., N=Not Available

Section: DOOR SAFETY INTERLOCK-COIN MODELS

Model: MAF35MC1



721134

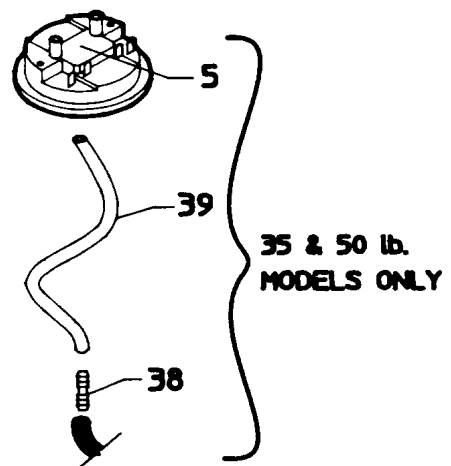
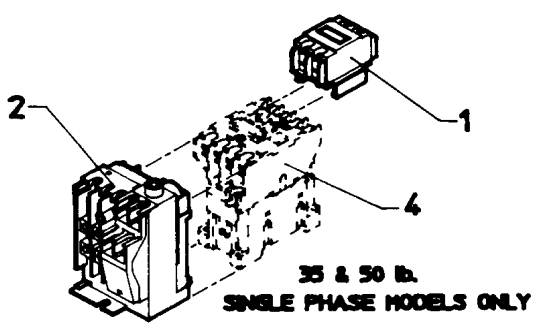
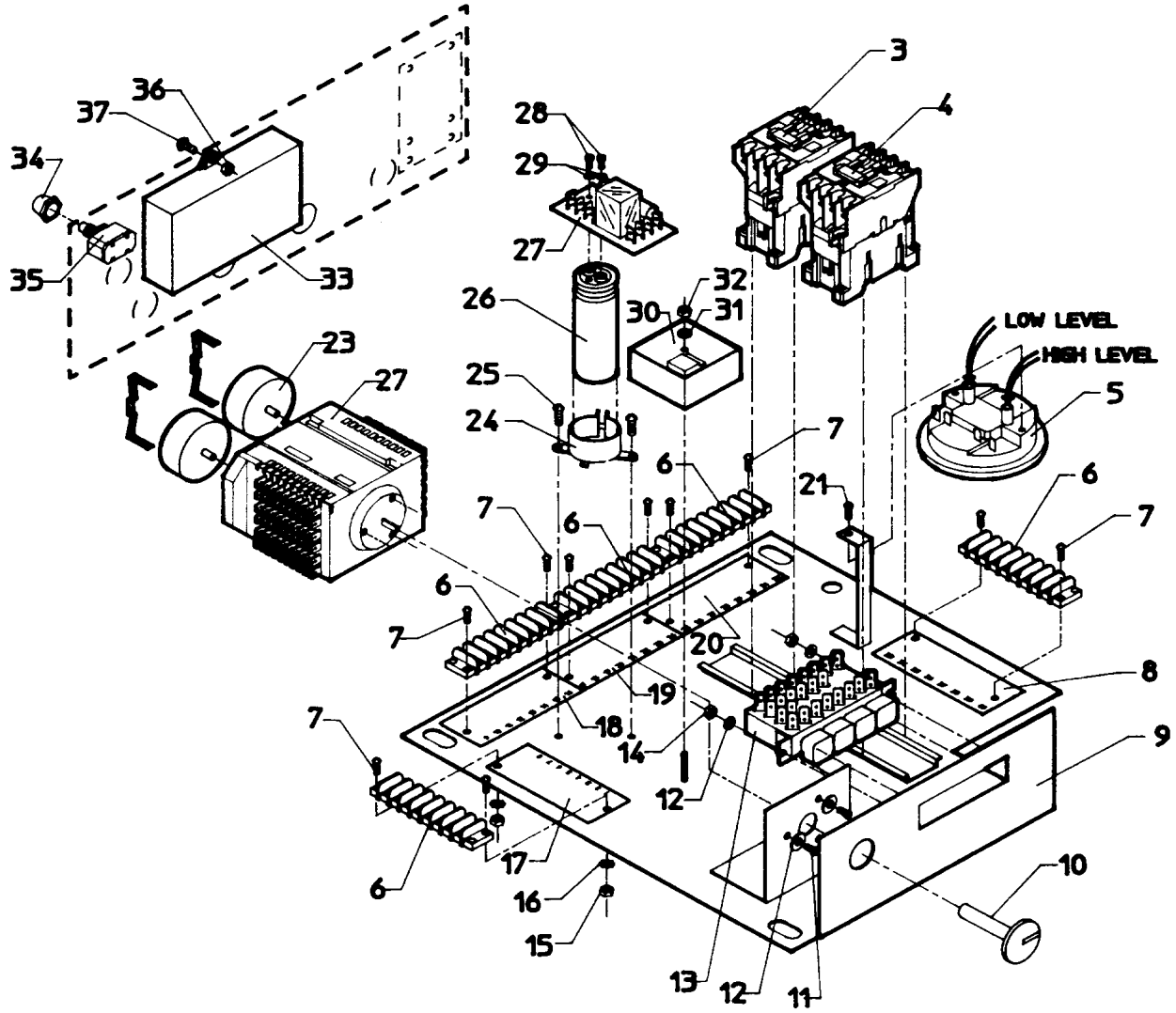
## Section: DOOR SAFETY INTERLOCK-COIN MODELS

| No.  | Part No. | Description   | Series Qty |
|------|----------|---|------------|
| -    | 24001640 | DOOR LOCK COMPLETE (MC 110V)                                  | 1          |
| 1    | -----    | NOT REQUIRED PART OR SEE NOTE Note: PART NUMBER NOT AVAILABLE | 0          |
| 2    | 24001483 | CATCH, DOOR LOCK  | 1          |
| 3    | 24001323 | SCREW (1/4-20 X 1/2")   | 4          |
| 4    | 24001484 | COVER, DOOR LOCK PLATE  | 1          |
| 5    | 24001295 | LOCKWASHER  | 2          |
| 6    | 24001342 | NUT, LOCK (8-32)  | 2          |
| 7    | 24001485 | WASHER, SHOULDER (TEFLON)                                     | 1          |
| 8    | 24001101 | SOLENOID, DOOR REL (110/220V)                                 | 1          |
| 9    | 24001358 | WASHER, FLAT (#10)  | 1          |
| 10   | 24001250 | BUTTON, PUSH (STOP)   | 1          |
| 11   | 24001481 | NUT, FIBERLOCK PLTD (#10-32)                                  | 1          |
| 12   | 24001480 | WASHER, TEFLON (#8)   | 3          |
| 13   | 24001487 | COVER, DOOR LOCK ASSY.  | 1          |
| 14   | 24001476 | NUT, FIBERLOCK (#4-40)  | 2          |
| 15   | 24001229 | SWITCH, DOOR LOCK   | 1          |
| 16   | 24001477 | SPACER, NYLON (#6)  | 4          |
| 17   | 24001643 | SCREW, S.S. (6 X 3/16")                                       | 2          |
| 18   | 24001479 | SCREW, S.S. (#8-32 X 3/16)                                    | 2          |
| 19   | 24001301 | SCREW (8-18 X 3/8")   | 2          |
| 20 N | 24001644 | DOOR LOCK PLATE Note: PLATE, DOOR LOCK                        | 1          |
| 21   | 24001102 | SOLENOID, DOOR LCK (110/220V)                                 | 1          |
| 22   | 24001305 | NUT, FIBERLOCK (1/4)  | 2          |
| 23   | 24001255 | SWITCH, DOOR HANDLE   | 1          |
| 24   | 24001736 | PIN, LOCKING  | 2          |
| 25   | 24001230 | LEVER, DOOR LOCK  | 1          |
| 26   | 24001293 | SPRING, TORSION   | 1          |
| 27   | 24001559 | SHIM, DOOR LOCK Note: (USE AS NEEDED)                         | 1          |
| 28   | 24001488 | SHIELD, SPLASH (DOOR LOCK)                                    | 1          |

\*Color Code (-)=Not Shown #=Series, Serial Prefix or Run No., N=Not Available

Section: CONTROL MODULE

Model: MAF35MC1



## Section: CONTROL MODULE

| No.  | Part No. | Description   | Series Qty |
|------|----------|---|------------|
| 1    | 24001104 | CONTACTOR, AUX. ADDER   | 1          |
| 2    | 24001233 | PROTECTOR, OVERLOAD   | 1          |
| 4    | 24001105 | CONTACTOR (120V)  | 1          |
| -    | 24001737 | RELAY   | 1          |
| -    | 24001738 | RELAY   | 1          |
| 5    | 24001223 | SWITCH, TRI LEVEL   | 1          |
| 6    | 24001412 | TERMINAL STRIP  | 5          |
| 7    | 24001414 | SCREW, S.S. (#6-32 X 1/2 PLTD)                                | 10         |
| 8    | 24001030 | DECAL,INSUL.TERM STRIP (33-40)                                | 1          |
| 9    | -----    | NOT REQUIRED PART OR SEE NOTE Note: PART NUMBER NOT AVAILABLE | 0          |
| 10   | -----    | NOT REQUIRED PART OR SEE NOTE Note: PART NUMBER NOT AVAILABLE | 0          |
| 11   | 24001357 | SCREW   | 3          |
| 12   | 24001358 | WASHER, FLAT (#10)  | 5          |
| 13 N | 24001740 | SWITCH, CYCLE SELECTOR  | 1          |
| 14 N | 24001741 | NUT, FIBERLOCK  | 1          |
| 15   | 24001417 | NUT, BRASS (#6-32)  | 10         |
| 16   | 24001415 | WASHER, S.S. (#6 EXT. TOOTH)                                  | 10         |
| 17 N | 24001026 | DECAL,INSUL. TERM STRIP (1-8)                                 | 1          |
| 18 N | 24001027 | DECAL,INSUL.TERM STRIP (9-16)                                 | 1          |
| 19 N | 24001028 | DECAL,INSUL.TERM STRIP (17-24)                                | 1          |
| 20 N | 24001029 | DECAL,INSUL.TERM STRIP (25-32)                                | 1          |
| 21   | 24001411 | SCREW, S.S. (6-32 X 3/8 PLTD)                                 | 1          |
| 22   | 24001178 | CYCLE KIT, TIMER (120V)                                       | 1          |
| 23   | 24001577 | MOTOR, TIMER (110V 60HZ)                                      | 2          |
| 24   | -----    | NOT REQUIRED PART OR SEE NOTE Note: PART NUMBER NOT AVAILABLE | 0          |
| 25   | 24001578 | SCREW, S.S. (6-32 X 1/4")                                     | 2          |
| 26   | 24001247 | CAPACITOR, DOOR LOCK  | 1          |
| 27   | 24001742 | P.C. BOARD (110V)   | 1          |
| 27   | 24001248 | PC BOARD, DOOR LOCK   | 1          |
| 28   | 24001580 | SCREW, S.S. (#10-32 X 3/8")                                   | 2          |
| 29   | 24001579 | WASHER, S.S. (#10 LOCK EXT.)                                  | 2          |
| 30   | 24001176 | RELAY, TIME OFF DELAY   | 1          |
| 31   | 24001295 | LOCKWASHER  | 1          |
| 32   | 24001419 | NUT, PLTD (1/4-#20 HEX)                                       | 1          |
| 33   | 24001743 | SWITCH, MOTOR (CENTURY MOTORS)                                | 1          |
| 34   | 24001744 | BOOT, PUSH BUTTON   | 1          |
| 35   | 24001254 | SWITCH, MOMENTARY   | 1          |
| 36   | 24001425 | NUT, FIBERLOCK, PLTD (6-32)                                   | 2          |
| 37   | 24001745 | SCREW, S.S.   | 2          |
| 38   | 24001746 | COUPLER, HOSE   | 1          |
| 39   | 24001747 | EXTENSION, AIR LINE   | 1          |

\*Color Code (-)=Not Shown #=Series, Serial Prefix or Run No., N=Not Available

# Section: WATER VALVE

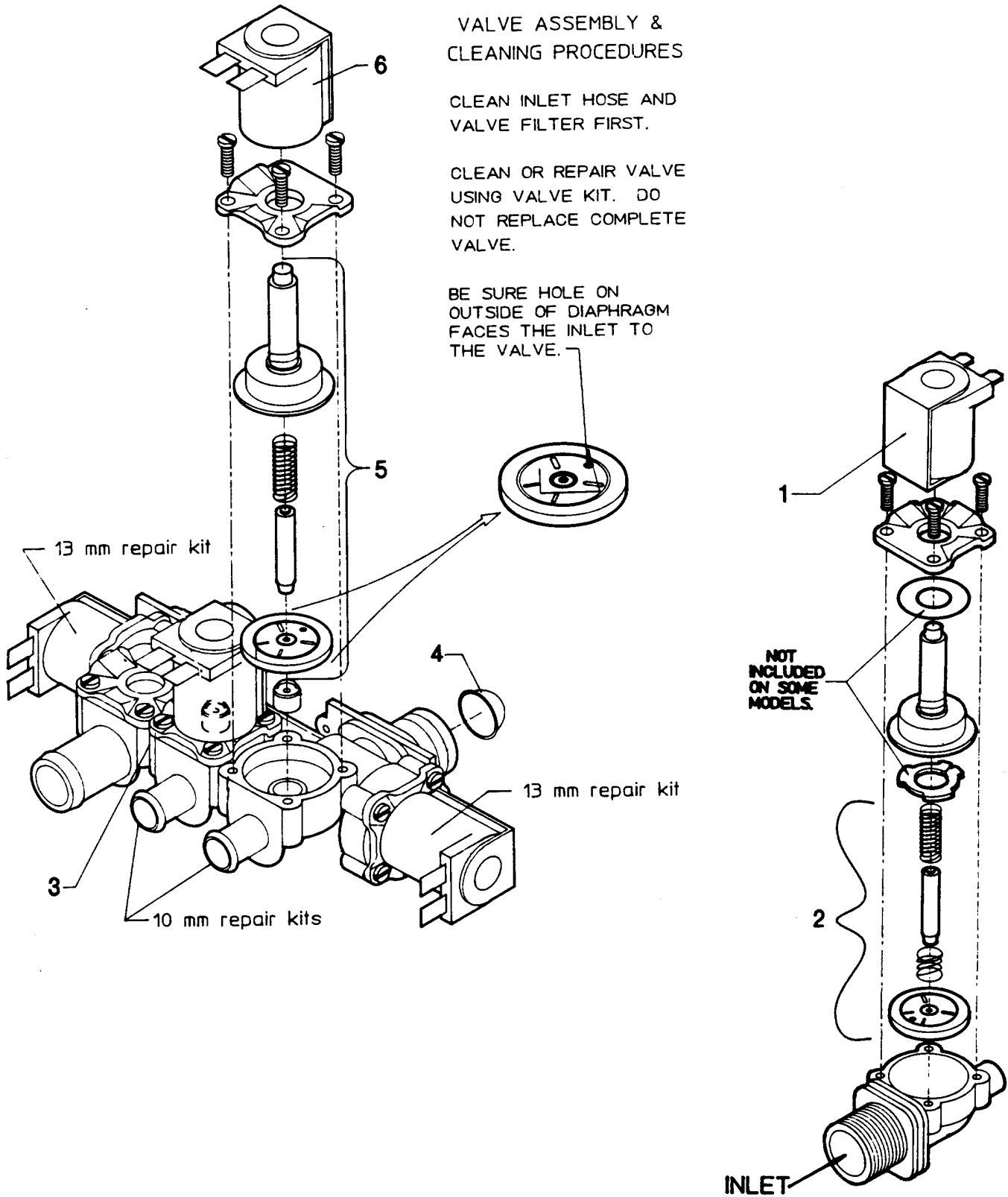
Model: MAF35MC1

## VALVE ASSEMBLY & CLEANING PROCEDURES

CLEAN INLET HOSE AND VALVE FILTER FIRST.

CLEAN OR REPAIR VALVE USING VALVE KIT. DO NOT REPLACE COMPLETE VALVE.

BE SURE HOLE ON OUTSIDE OF DIAPHRAGM FACES THE INLET TO THE VALVE.



721357



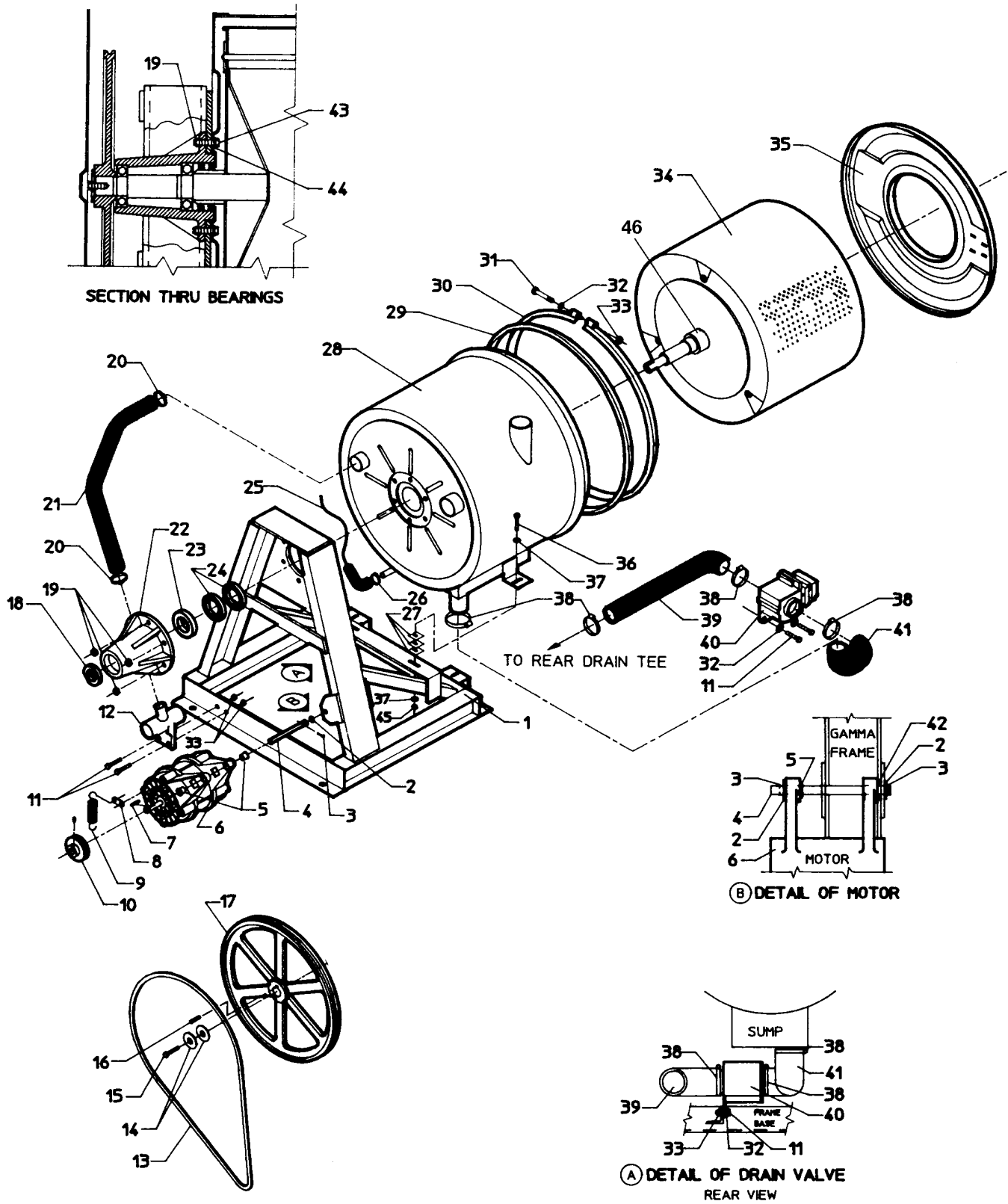
## Section: WATER VALVE

| No. | Part No. | Description  | Series Qty |
|-----|----------|--|------------|
| -   | 24001120 | VALVE-1WAY (13MM)(110-127V)  | 1          |
| -   | 24001119 | VALVE-1WAY (10MM)(110-127V)  | 1          |
| 1   | 24001232 | COIL, WATER VALVE  | 1          |
| 2   | 24001122 | KIT, VALVE REPAIR (13MM)   | 1          |
| -   | 24001448 | SEAL (W110-012)  | 2          |
| -   | 24001549 | FILTER, MESH (11MM US THREAD)  | 2          |
| 3   | 24001226 | VALVE, MIXING (3 WAY)  | 1          |
| 4   | 24001634 | SCREEN, VALVE  | 2          |
| 5   | 24001122 | KIT, VALVE REPAIR (13MM) Note: KIT, REPAIR (13MM)                                    | 2          |
| 5   | 24001231 | KIT, DIAPHRAM (SHORT) Note: KIT, REPAIR (10MM) (FOR USE IN MIXING VALVE MODELS ONLY) | 2          |
| 6   | 24001232 | COIL, WATER VALVE  | 1          |

\*Color Code (-)=Not Shown #=Series, Serial Prefix or Run No., N=Not Available

Section: MAIN EXPLODED VIEW-SUB ASSEMBLY

Model: MAF35MC1



721129

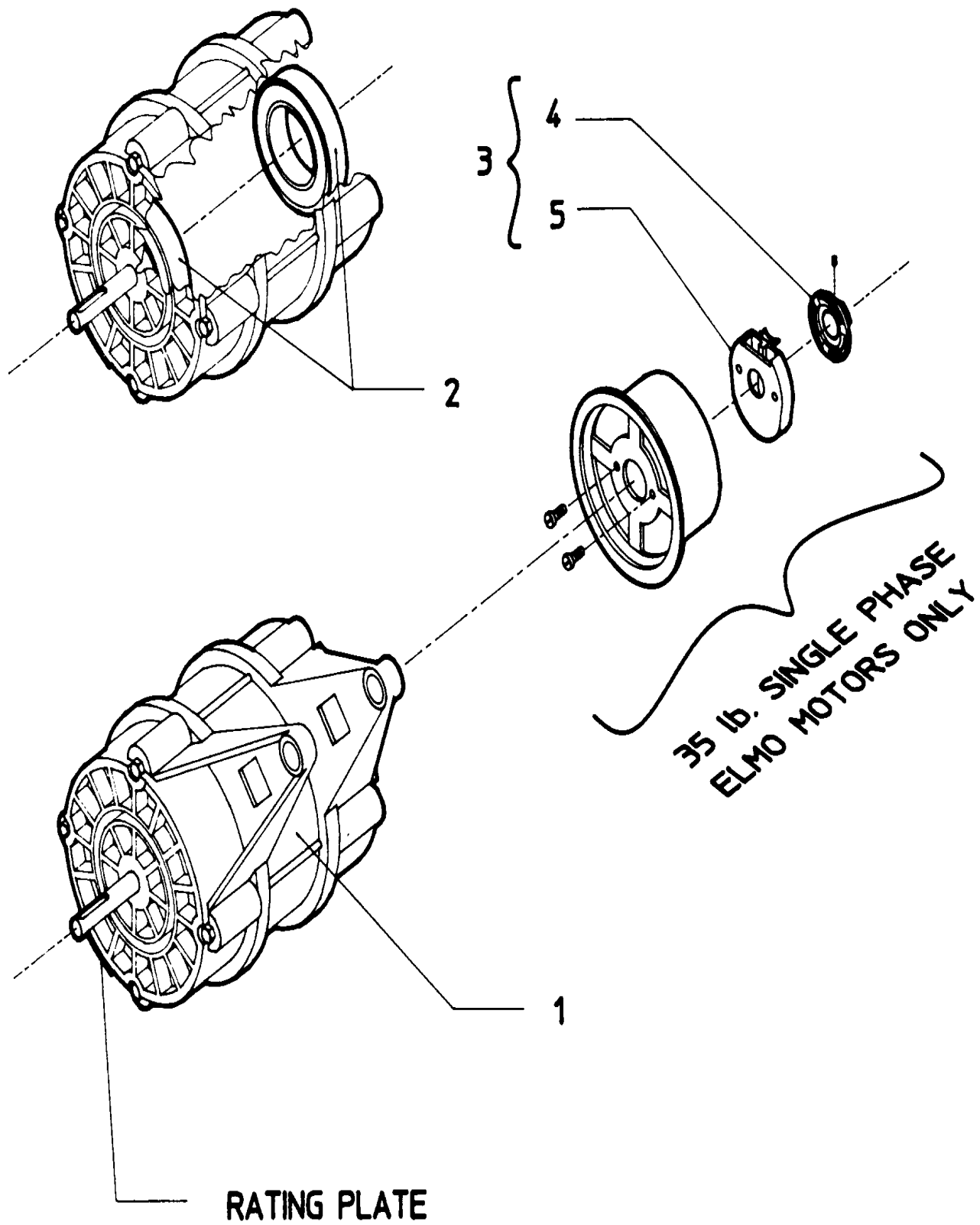
## Section: MAIN EXPLODED VIEW-SUB ASSEMBLY

| No. | Part No. | Description                   | Series Qty |
|-----|----------|-------------------------------|------------|
| 1   | 24001371 | KIT ASSY., FRAME (2 SPEED)    | 1          |
| 2   | 24001511 | WASHER, HARDENED (PLTD. 5/8)  | 2          |
| 3   | 24001512 | PIN, COTTER PLTD. (1/8X1 1/2) | 2          |
| 4   | 24001802 | SUPPORT ROD, MOTOR            | 1          |
| 5   | 24001021 | BUSHING, MOTOR (UC/UW)        | 2          |
| 6   | 24001083 | MOTOR,2SP (208-240/60/3)      | 1          |
| 6   | 24001079 | MOTOR,2SP 1 PH W/HARNESS      | 1          |
| 7   | 24001648 | KEY (MOTOR 3/16" X 1 1/2")    | 1          |
| 8   | 24001651 | CLIP, MOTOR SPRING            | 1          |
| 9   | 24001650 | SPRING (BELT TENSION)         | 1          |
| 10  | 24002042 | PULLEY, MOTOR                 | 1          |
| 11  | 24001502 | SCREW (1/4"-20 X 3/4")        | 4          |
| 12  | 24001826 | CONNECTION, TEE-DRAIN         | 1          |
| 13  | 24001095 | BELT, V (3V-830)              | 1          |
| 14  | 24001501 | WASHER, S.S.                  | 2          |
| 15  | 24001500 | SCREW, S.S. (3/8"-16X1)       | 1          |
| 16  | 24001499 | KEY (3/8" X 1 1/4")           | 1          |
| 18  | 24001014 | BEARING (6208 2RS C3)         | 1          |
| 19  | 24001563 | NUT, FIBERLOCK                | 6          |
| 19  | 24001495 | NUT, FIBERLOCK (9/16"-12)     | 6          |
| 20  | 24001283 | CLAMP, HOSE (#28)             | 2          |
| 21  | 24001506 | HOSE, OVERFLOW                | 1          |
| 22  | 24001260 | KIT, TRUNNION (2SP)           | 1          |
| 23  | 24001016 | BEARING (6309 2RS C3)         | 1          |
| 24  | 24001020 | SEAL, SHAFT (130MM)           | 2          |
| 25  | 24001661 | AIR TRAP Note: HOSE, AIR DOME | 1          |
| 26  | 24001438 | CLAMP, HOSE (#10)             | 1          |
| 27  | 24001803 | SHIM, SHELL                   | 3          |
| 28  | 24001377 | KIT, SHIELD RETRO             | 1          |
| 29  | 24001184 | GASKET KIT (FRONT SHELL)      | 1          |
| 30  | 24001389 | KIT, BAND SHELL               | 1          |
| 31  | 24001215 | KIT, BAND FASTENER            | 1          |
| 32  | 24001215 | KIT, BAND FASTENER            | 3          |
| 33  | 24001215 | KIT, BAND FASTENER            | 7          |
| 34  | 24001804 | BASKET                        | 1          |
| 35  | 24001385 | KIT, FRONT SHELL              | 1          |
| 36  | 24001657 | BOLT (S.S. 3/8-16 X 1 1/2")   | 2          |
| 37  | 24001516 | WASHER, FLAT PLTD. (3/8")     | 4          |
| 38  | 24001353 | CLAMP, HOSE (#40)             | 4          |
| 39  | 24001564 | HOSE, DRAIN (REAR)            | 1          |
| 40  | 24001116 | VALVE, DRAIN (2" 110V,60HZ)   | 1          |
| 41  | 24001565 | HOSE, DRAIN (FRONT)           | 1          |
| 43  | 24001497 | BOLT, S.S. (9/16-12 X 2 1/2)  | 6          |
| 43  | 24001807 | BOLT, S.S.                    | 6          |
| 44  | 24001810 | WASHER, FLAT                  | 6          |
| 44  | 24001809 | WASHER, FLAT                  | 3          |
| -   | 24001260 | KIT, TRUNNION (2SP)           | 1          |
| 45  | 24001515 | NUT, FIBERLOCK PLTD. (3/8-16) | 2          |
| 46  | 24001271 | COLLAR (2SP)                  | 1          |

\*Color Code (-)=Not Shown #=Series, Serial Prefix or Run No., N=Not Available

Section: MOTOR

Model: MAF35MC1



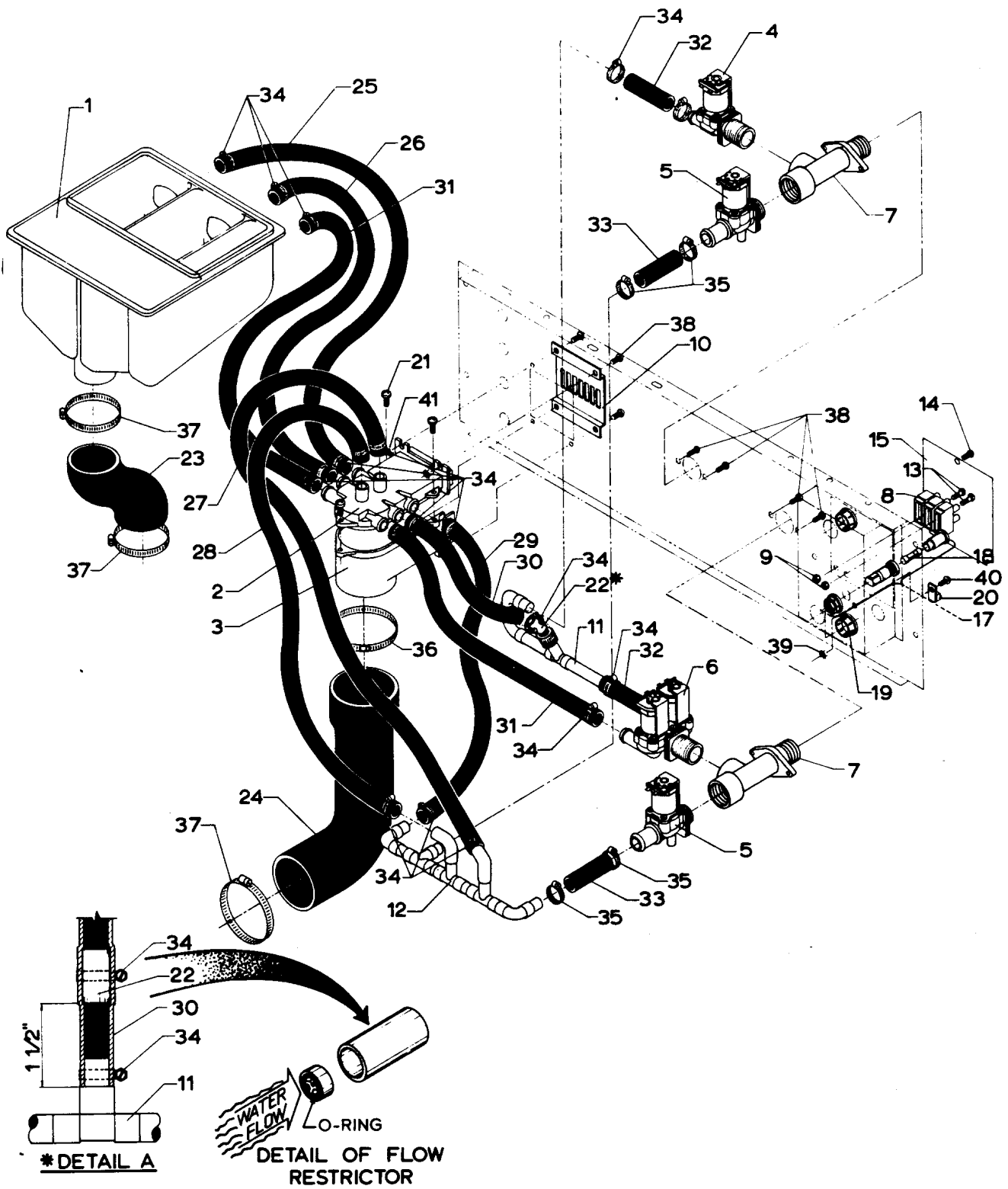
**Section: MOTOR**

| No. | Part No. | Description                                       | Series Qty |
|-----|----------|---|------------|
| 1   | 24001083 | MOTOR,2SP (208-240/60/3)                          | 1          |
| 1   | 24001079 | MOTOR,2SP 1 PH W/HARNESS                          | 1          |
| 2   | 24001017 | BEARING, 6205-2RS                                 | 1          |
| 3   | -----    | NOT REQUIRED PART OR SEE NOTE Note: PART NOT USED | 0          |

\*Color Code (-)=Not Shown #=Series, Serial Prefix or Run No., N=Not Available

Section: SOAP DISPENSER

Model: MAF35MC1



721151

## Section: SOAP DISPENSER

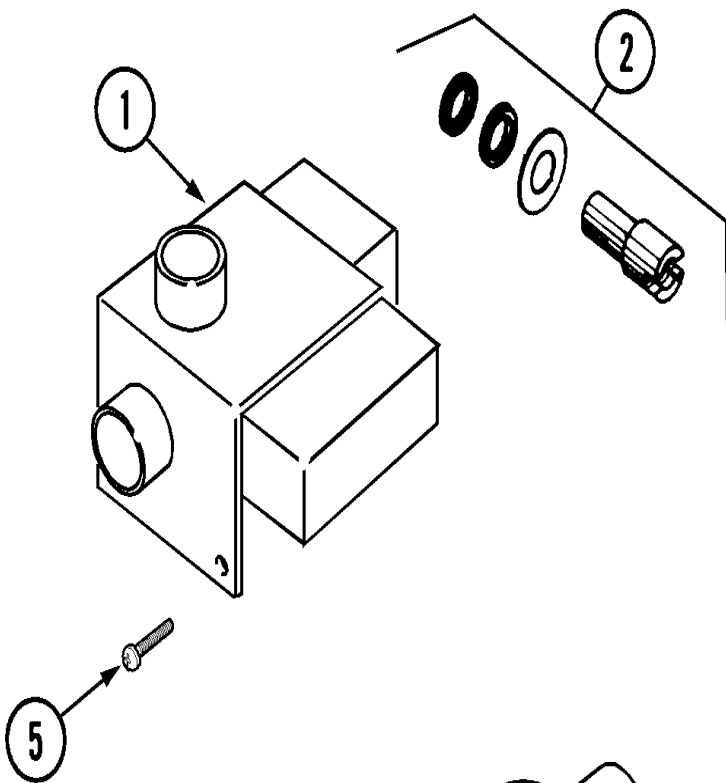
| No. | Part No. | Description   | Series Qty |
|-----|----------|---|------------|
| 1   | 24001627 | DISPENSER, SUPPLY (COIN)                                      | 1          |
| 2   | 24001031 | BREAKER, VAC. (TOP)   | 1          |
| 3   | 24001032 | BREAKER, VAC. (BTM)   | 1          |
| 4   | 24001119 | VALVE-1WAY (10MM)(110-127V)                                   | 1          |
| 5   | -----    | NOT REQUIRED PART OR SEE NOTE Note: PART NUMBER NOT AVAILABLE | 0          |
| 6   | -----    | NOT REQUIRED PART OR SEE NOTE Note: PART NUMBER NOT AVAILABLE | 0          |
| 7   | 24001448 | SEAL (W110-012)   | 4          |
| 8   | 24001366 | BLOCK, INPU & POWER (4 TERM)                                  | 1          |
| 8   | 24001629 | BLOCK, INPUT POWER (3 WIRE)                                   | 1          |
| 9   | 24001425 | NUT, FIBERLOCK, PLTD (6-32)                                   | 2          |
| 10  | 24001426 | COVER, VACUUM BREAKER   | 1          |
| 11  | 24001777 | MANIFOLD, SUPPLY  | 1          |
| 12  | -----    | NOT REQUIRED PART OR SEE NOTE Note: PART NUMBER NOT AVAILABLE | 0          |
| 13  | 24001430 | SCREW, S.S (6-32 X 1)   | 2          |
| 14  | 24001301 | SCREW (8-18 X 3/8")   | 1          |
| 15  | 24001429 | COVER, JUNCTION BOX   | 1          |
| 16  | -----    | NOT REQUIRED PART OR SEE NOTE Note: PART NUMBER NOT AVAILABLE | 0          |
| 17  | 24001433 | HOLDER, FUSE  | 1          |
| 18  | 24001225 | FUSE, CONTROL (2AMP)  | 1          |
| 19  | 24001436 | GROMMET, BUSHING  | 2          |
| 20  | 24001434 | CONNECTOR, GROUND   | 1          |
| 21  | 24001432 | SCREW, S.S. (#8-32 X 3/8)                                     | 5          |
| 22  | 24001775 | FLOW RESTRICTOR ASSY.   | 1          |
| 23  | 24001442 | HOSE, SOAP DISPENSER  | 1          |
| 24  | 24001033 | HOSE, VACUUM BREAKER  | 1          |
| 25  | 24001781 | HOSE  | 1          |
| 26  | 24001783 | HOSE  | 1          |
| 27  | -----    | NOT REQUIRED PART OR SEE NOTE Note: PART NOT USED             | 0          |
| 28  | 24001767 | HOSE  | 1          |
| 29  | 24001788 | HOSE  | 1          |
| 30  | 24001771 | HOSE  | 1          |
| 31  | 24001792 | HOSE  | 2          |
| 32  | 24001794 | HOSE  | 2          |
| 33  | 24001794 | HOSE  | 2          |
| 34  | 24001423 | CLAMP, HOSE (#8)  | 21         |
| 35  | 24001797 | CLAMP (SIZE 24)   | 4          |
| 36  | 24001282 | CLAMP, HOSE (#48)   | 1          |
| 37  | 24001353 | CLAMP, HOSE (#40)   | 3          |
| 38  | 24001414 | SCREW, S.S. (#6-32 X 1/2 PLTD)                                | 10         |
| 39  | 24001342 | NUT, LOCK (8-32)  | 1          |
| 40  | 24001432 | SCREW, S.S. (#8-32 X 3/8)                                     | 1          |
| 41  | 24001425 | NUT, FIBERLOCK, PLTD (6-32)                                   | 8          |

\*Color Code (-)=Not Shown #=Series, Serial Prefix or Run No., N=Not Available

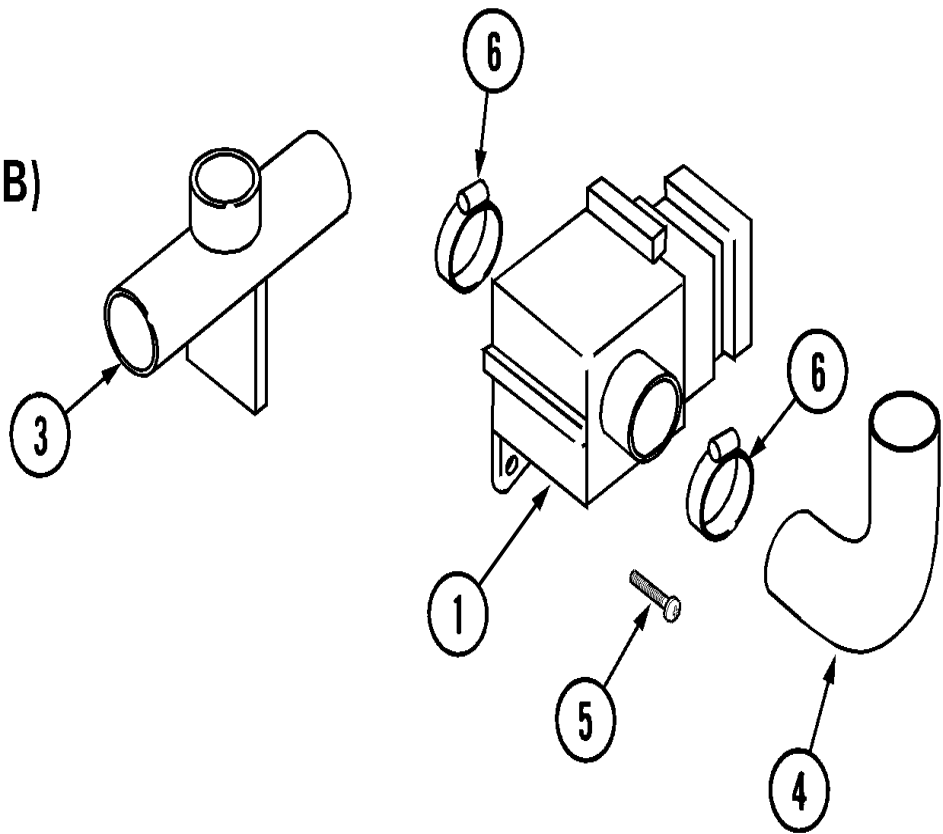
Section: DRAIN VALVE

Model: MAF35MC1

A)



B)



CW21-131



**Section: DRAIN VALVE**

| No. | Part No. | Description  | Series Qty |
|-----|----------|--|------------|
| 1   | 24001116 | VALVE, DRAIN (2" 110V,60HZ) Note: (B)VALVE, DRAIN          | 1          |
| 1   | 24001217 | VALVE, DRAIN (3") Note: (A)VALVE, DRAIN                    | 1          |
| -   | 24001530 | VALVE, MOTOR DRAIN (110V 60HZ) Note: (A)MOTOR, DRAIN VALVE | 1          |
| 2   | 24001528 | MAIN DRIVE SHAFT AND SEAL KIT                              | 1          |
| 3   | 24001826 | CONNECTION, TEE-DRAIN Note: CONNECTION, TEE                | 1          |
| 4   | 24001565 | HOSE, DRAIN (FRONT) Note: HOSE, DRAIN (FRT)                | 1          |
| 5   | 24001502 | SCREW (1/4"-20 X 3/4")                                     | 4          |
| 6   | 24001353 | CLAMP, HOSE (#40)  | 4          |

\*Color Code (-)=Not Shown #=Series, Serial Prefix or Run No., N=Not Available

