

NOTES TO USE PARTS LIST

Sheets no. 1, 2, 3, 4, 5, 6, 7 & 8:
Are common for all versions.

Sheet no. 9:
The bottom just refers to three water inlets machines .

Sheet no. 10:
Relates to electrical heated machines.

Sheet no. 11:
Relates to steam heated machines.

ACLARACIONES PARA EL USO DEL DESPIECE

Las hojas nº1, 2, 3, 4, 5, 6, 7 y 8:
Son comunes a todas las variantes.

La hoja nº 9:
La parte inferior es sólo para las máquinas con tres entradas de agua.

La hoja nº 10:
Corresponde a las máquinas con calefacción eléctrica.

La hoja nº 11:
Corresponde a las máquinas con calefacción a vapor.

NOTES UTILISATION VUES ECLATEES

Les feuilles no.1, 2, 3, 4, 5, 6, 7 et 8:
Sont communes à toutes les versions.

La feuille no. 9:
La partie inférieure est seulement pour les machines à trois arrivées d'eau.

La feuille no. 10:
Correspond aux machines à chauffage électrique.

La feuille no. 11:
Correspond aux machines à chauffage à vapeur.

VERY IMPORTANT:
Before ordering parts be sure they have not been modified. Check it on yellow sheet.

MUY IMPORTANTE:
Al pedir una pieza cerciorarse antes de que la misma no ha sido modificada. Si lo hubiese sido, estaria situada en hoja amarilla.

TRES IMPORTANT:
Avant de commander une pièce, s'assurer qu'elle n'a pas été modifiée. Le verifier sur feuille jaune.

**PRINTED
IN
SPAIN**

**From
A partir
A partir**

1080001

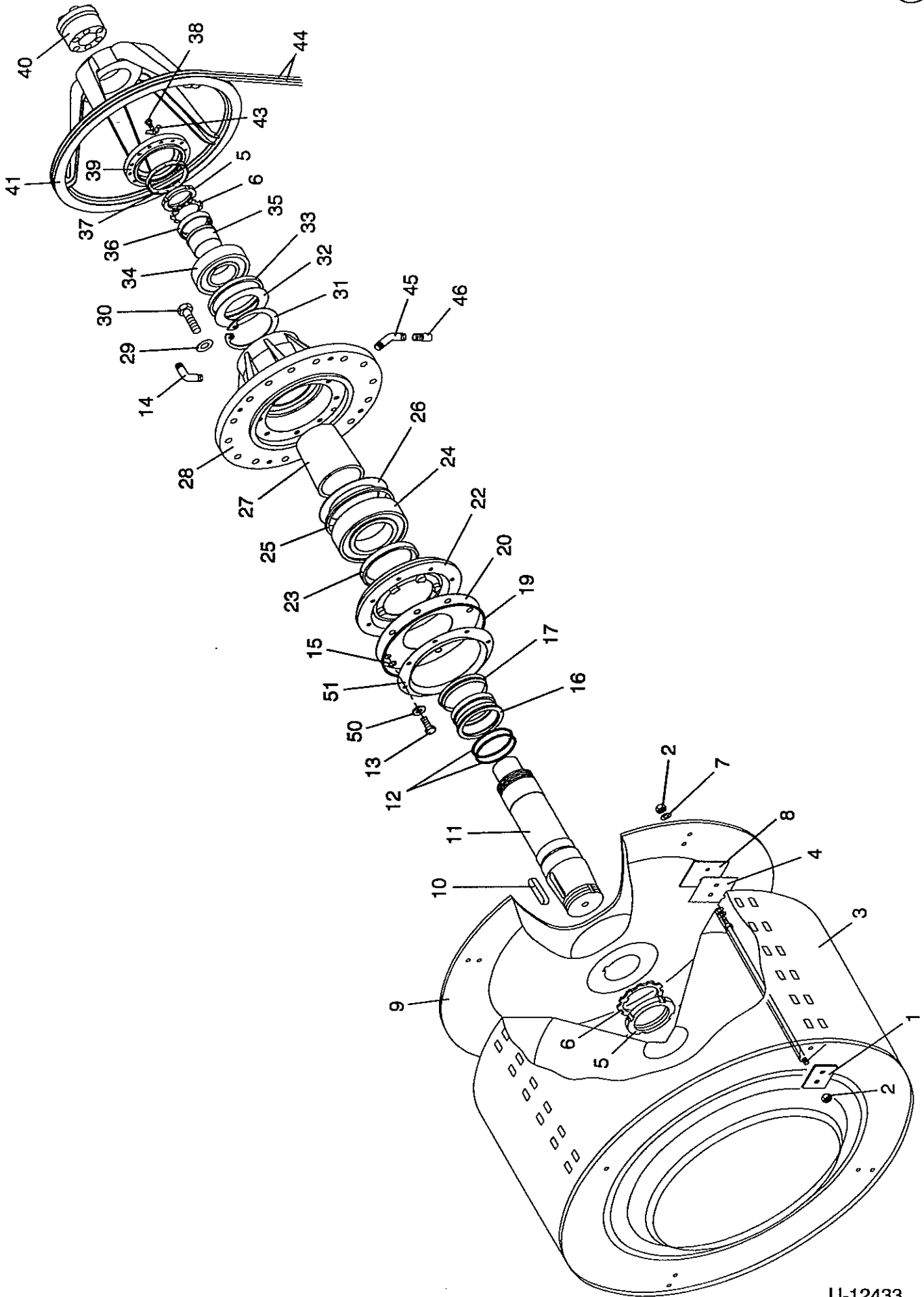
**To
Hasta
Jusqu'à**

.....

H1130

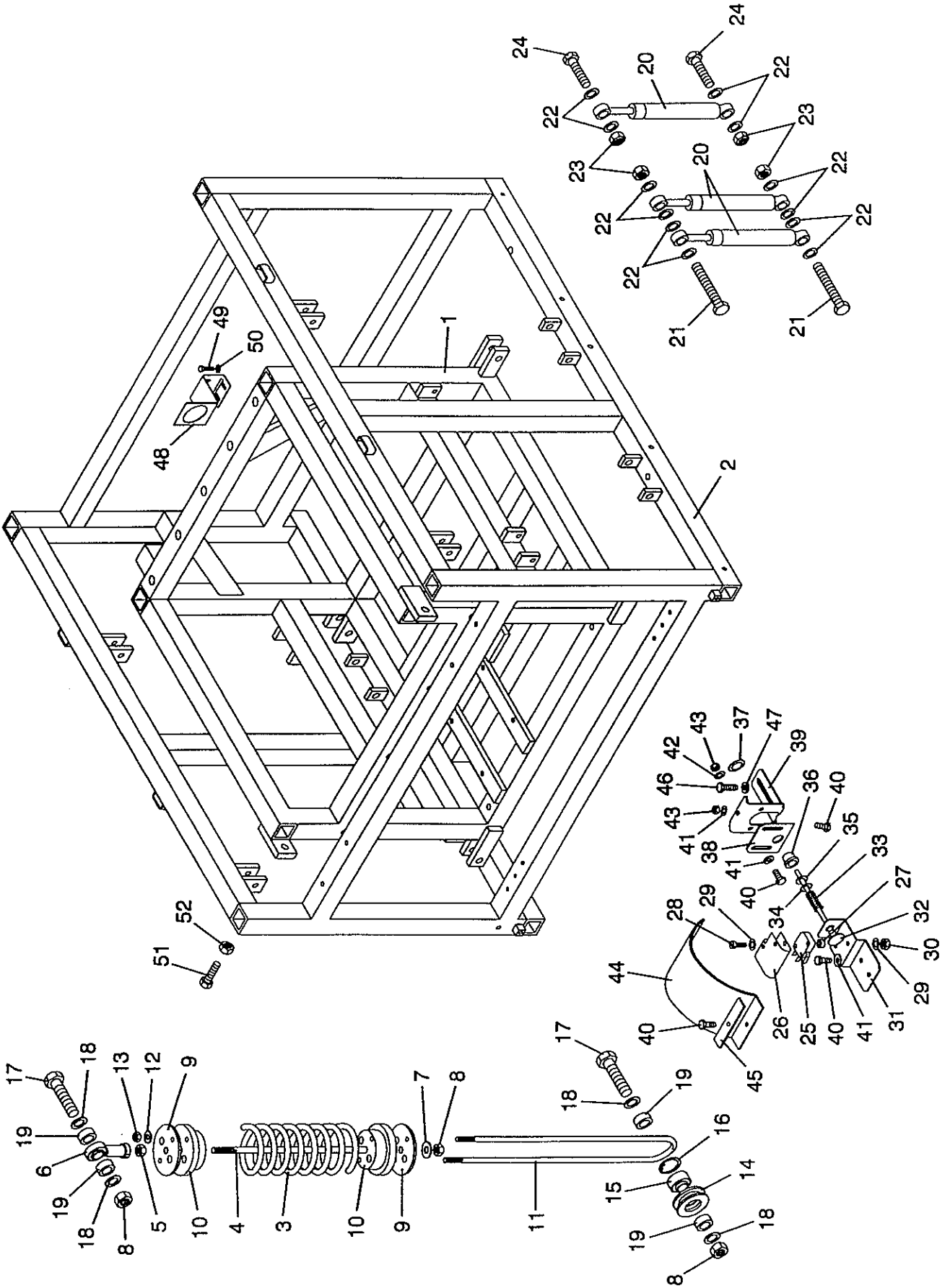
Cod. nº 284067 A

Rev. nº 00/0696



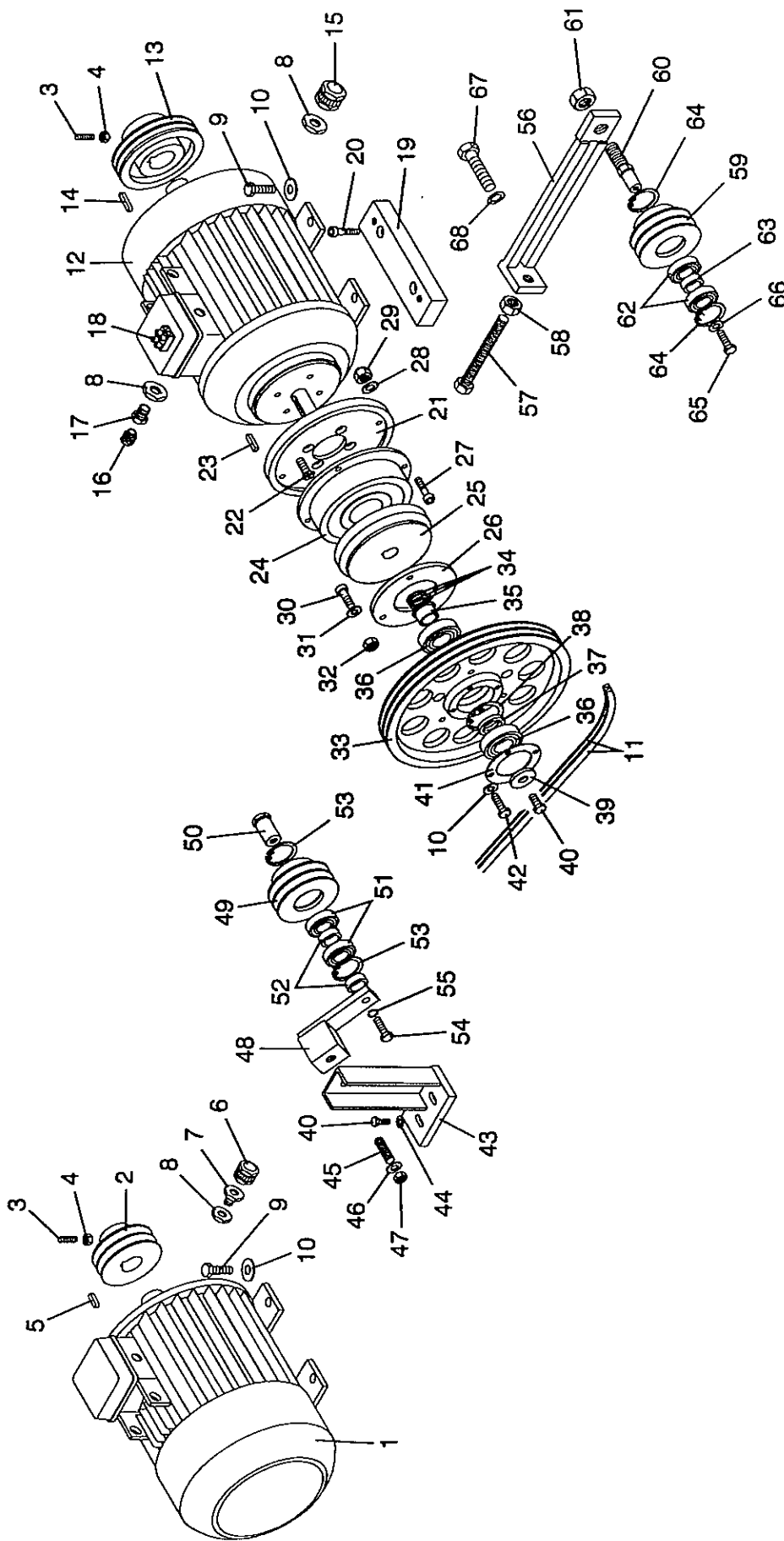
Nº	REF.	DENOMINATION	DENOMINACION	DÉNOMINATION
1	243071	BASKET SHOVEL RENFORT	REFUERZO PALA TAMBOR	REFORT PALETTE TAMBOR
2	149997	INOX HEX NUT DIN 934 M-16	TUERCA EX. INOX DIN934 M16	ECROU HEX. INOX DIN 934 M-16
3	243089 *	BASKET DODY	CUERPO TAMBOR	CORPS TAMBOR
4	213710	BASKET CENTERING PIECE	PIEZA CENTRADO TAMBOR	PIECE CENTRAGE TAMBOR
5	163725	FIXING NUT KM-25	TUERCA FIJACION KM-25 FAG	ECROU FIXATION KM-25
6	163709	LOCKING WASHER	ARANDELA DE CIERRE	RONDELLE DE FERMETURE
7	162560	INOX A2 WASHER DIN 125 17	ARAN. DIN125 INOX A2 17	RONDELLE INOX A2 DIN 125 17
8	213728	BASKET CENTERING PIECE	PIEZA CENTRADO TAMBOR	PIECE CENTRAGE TAMBOR
9	243139	BASKET COUPLING	ACOPLAMIENTO TAMBOR	ASSAMBLAGE TAMBOR
10	174748	PIN DIN 6885-A 90X36X20	CHAVETA DIN 6885-A 90X36X20	CLAVETTE DIN 6885-A 90X36X20
11	243063	BASKET SHAFT	EJE TAMBOR	AXE TAMBOR
12	174425	TORIC GASKET 130X142X6 RE.3769	JUNTA TORICA 130X142X6 REF3769	JOINT TORIQUE 130X142X6RE.3769
13	175687	INOX HEX SCREW DIN 933 M-10X60	TOR.EX. INOX DIN933 M10X 60	VIS HEX. INOX DIN 933 M-10X60
14	122531	HOSE ELBOW 5/8" RE. 46610	CODO MANGUERA 5/8"REF.46610	COUDE TUYAU 5/8" RE. 46610
15	147991	TORIC GASKET 10X23X6,5	JUNTA TORICA 10X23X6,5	JOINT TORIQUE 10X23X6,5
16	249128	SEAL RING	ANILLO RETENES	BAGUE RESERVES
17	174391	RING V-RING V-170 S	ANILLO V-RING V-170 S VITON	BAGUE V-RING V-170 S
19	174417	TORIC GASKET 355X369X7 RE.3810	JUNTA TORICA 355X369X7 REF3810	JOINT TORIQUE 355X369X7RE.3810
20	250159	SEAL COVER	TAPA RETEN	COUVERCLE RESERVE
22	250142	FRONT SEAL COVER	TAPA RETEN ANTERIOR	COUVERCLE RESERVE AVANT
23	174433	SEAL 170X200X15 BA	RETEN 170X200X15 BA	RESERVE 170X200X15 BA
24	174334	BEARING NU-326	RODAMIENTO NU-326,NTN	ROULEMENT NU-326
25	174375	GUIDE RING FRA 10/280	ANILLO DE GUIA FRA 10/280	BAGUE DE GUIDE FRA 10/280
26	221846	GREASE OBTURATION PLATE	PLACA OBTURACION GRASA	PLAQUE OBTURATION GRAISSE
27	221861	BEARING END PIECE	TOPE COJINETES	ARRET ROULEMENTS
28	266973	BEARING BOX	CAJA COJINETES	BOITE ROULEMENTS
29	149393	BICR WASHER B DIN125-ST 15	ARAN.B DIN125-ST BICR.15	RONDELLE B BICR DIN125-ST 15
30	176172	HEX SCREW 8G DIN 933 M-14X55	TOR.EX.DIN933-8.8 BICR.M14X 55	VIS HEX. 8G DIN 933 M-14X55
31	174409	FLEXIBLE RING I-200 DIN 472	ANILLO ELASTICO I-200 DIN 472	BAGUE ELASTIQUE I-200 DIN 472
32	221812	GREASE OBTURATION PLATE	PLACA OBTURACION GRASA	PLAQUE OBTURATION GRAISSE

Nº	REF.	DENOMINATION	DENOMINACION	DÉNOMINATION
33	174367	GUIDE RING FRA 10/200	ANILLO DE GUIA FRA 10/200	BAGUE DE GUIDE FRA 10/200
34	174342	BEARING 23026 CK	RODAMIENTO 23026 CK,NTN	ROULEMENT 23026 CK
35	174359	DISASSEMBLY SLEEVE AHX-3026	MANGUITO DESMONTAJE AHX-3026	MANCHON DEMONTAGE AHK-3026
36	221879	SEAL RING	ANILLO RETEN	BAGUE RESERVE
37	147538	SEAL 150X180X15 BA	RETEN 150X180X15 BA	RESERVE 150X180X15 BA
38	192385	BICR.HEX.SCREW DIN933-8 M6X35	TOR.EX.DIN933-8.8 BICR.M 6X 35	VIS.HEX.DIN933-8,8 BICR.M6X35
39	266932	REAR SEAL COVER	TAPA RETEN POSTERIOR	COUVERCLE RESERVE ARRIERE
40	182667	SELF CENTERING FIXING UNIT 5B	UNIDAD FIJ.AUTOCENT.5B 90X130	UNITE FIXATION SELF CENTRAGE 5B
41	254813	BASKET PULLEY	POLEA TAMBOR	POULIE TAMBOUR
43	195735	SAFETY WASHER 6,4 DIN 463	ARANDELA SEGURIDAD 6,4 DIN 463	RONDELLE SECURITE 6,4 DIN 463
44	174458	TRAPEZOIDAL BELT SPA-3000	CORREA TRAPEZOIDAL SPA-3000	COURROIE TRAPEZOIDALE SPA-3000
45	174474	FIG. 40 1/2" GALV.	FIGURA 40 DE 1/2" GALV.	FIG. 40 1/2" GALV.
46	200063	BEARING CASE DRAIN	DESAGÜE CAJA COJINETES	VIDANGE BOITE ROULEMENTS
50	254144	WASHER D35XD10X6	ARANDELA 35X10X6	RONDELLE D35XD10X6
51	250167	PROTECTION V-RING	PROTECCION V-RING	PROTECTION V-RING
*	243055	COMPLETE BASKET (WITH SHAFT)	TAMBOR COMPLETO (CON EJE)	TAMBOUR COMPLET (AVEC AXE)



Nº	REF.	DENOMINATION	DENOMINACION	DÉNOMINATION
1	276998	SUSPENDED CHASSIS	CHASIS FLOTANTE	CHASSIS SUSPENDU
2	276980	FIX CHASSIS	CHASIS FIJO	CHASSIS FIXE
3	300459 *	SUSPENSION SPRING	MUELLE SUSPENSION	RESSORT SUSPENSION
4	278770	SUSPENSION BAR	VARILLA SUSPENSION	BAGUETTE SUSPENSION
5	150276	BICR HEX.NUT DIN934-8 M-16	TUER.EX.DIN934-8 BICR.M16	ECROU HEX.DIN934-8 BICR M-16
6	174870	HINGE JOINT HEAD TYPE GIR 17UK	CABEZA DE ROTULA TIPO GIR 17UK	TETE DE ROTULE TYPE GIR 17UK
7	255992	WASHER 36X17X5	ARANDELA 36X17X6	RONDELLE 36X17X5
8	173260	SELF-BLOCKING NUT DIN 985 M-16	TUER.AUTOBL.DIN985-8 BICR.M16	ECROU AUTOBLOCANT DIN 985 M-16
9	278804	CLAMP SUPPLEMENT	SUPLEMENTO BRIDA	SUPPLEMENT BRIDE
10	278762	SUSPENSION CLAMP	BRIDA SUSPENSION	BRIDE SUSPENSION
11	278788	SUSPENSION PIECE	HORQUILLA SUSPENSION	PIECE SUSPENSION
12	278861	WASHER 26X12,5X6	ARANDELA 26X12,5X6	RONDELLE 26X12,5X6
13	150656	SELFBLOCKING NUT DIN985 M-12	TUER.AUTOBL.DIN985-8 BICR.M12	ECROU AUTOBLOCANT DIN985 M-12
14	278796	SUSPENSION SLEEVE	CASQUILLO SUSPENSION	FRETTE SUSPENSION
15	185728	RADIAL HINGE JOINT TYPE GE	ROTULA RADIAL TIPO GE 17UK	ROTULE RADIAL TYPE GE 17UK
16	185736	RING SEEGER-V JV-30	ANILLO SEEGER-V JV-30	BAGUE SEEGER-V JV-30
17	175729	HEX SCREW 8G DIN 931 M-16X100	TOR.EX.DIN931-8.8 BICR.M16X100	VIS HEX 8G DIN 931 M-16X100
18	149385	BICR.WASHER B DIN125-ST 17	ARAN.B DIN125-ST BICR.17	RONDELLE B DIN125-ST BICR.17
19	238055	HINGE JOINT SEPARATOR	SEPARADOR ROTULA	SEPARATEUR ROTULE
20	175091	FRICTION SHOCK-ABSORBER	AMORT.FRICC.154001027605 180N	AMORTISSEUR FRICTION
21	191858	HEX. SCREW 8G DIN931 M10X90	TOR.EX.DIN931-8.8 BICR.M10X 90	VIS HEX. 8G DIN931 M10X90
22	149500	BICR.WASHER B DIN125-ST 10,5	ARAN.B DIN125-ST BICR.10,5	RONDELLE B DIN125-ST BICR.10,5
23	150649	SELFBLOCKING NUT DIN 985 M-10	TUER.AUTOBL.DIN985-8 BICR.M10	ECROU AUTOBLOCANT DIN 985 M-10
24	175745	HEX SCREW 8G DIN 931 M-10X60	TOR.EX.DIN931-8.8 BICR.M10X 60	VIS HEX 8G DIN 931 M-10X60
25	197046	MINISWITCH 83161.344 I W3	MINIRRUPTOR 83161.344 I W3	MINIRRUPTEUR 83161.344 I W3
26	281113	MICROSWITCH ISOLATION	AISLANTE MICRORRUPTOR	ISOLANT MICRORRUPTEUR
27	175364	PLASTIC SEPARATOR 6MM SP78/10	SEPARADOR PLASTICO 6MM.SP78/10	SEPARATEUR PLASTIQUE 6MM
28	302554	CYL.BICR.SCREW DIN84-4.8 M3X25	TOR.CIL.DIN84-4.8 BICR.M 3X25	VIS.CYL DIN84-4.8 BICR M 3X25
29	149484	BICR.WASHER B DIN125-ST 3,2	ARAN.B DIN125-ST BICR. 3,2	RONDELLE B.DIN125-ST BICR. 3,2
30	149906	INOX. HEX. NUT DIN 934 M-3	TUERCA EX.INOX DIN934 M 3	ECROU HEX. INOX DIN934 M-3

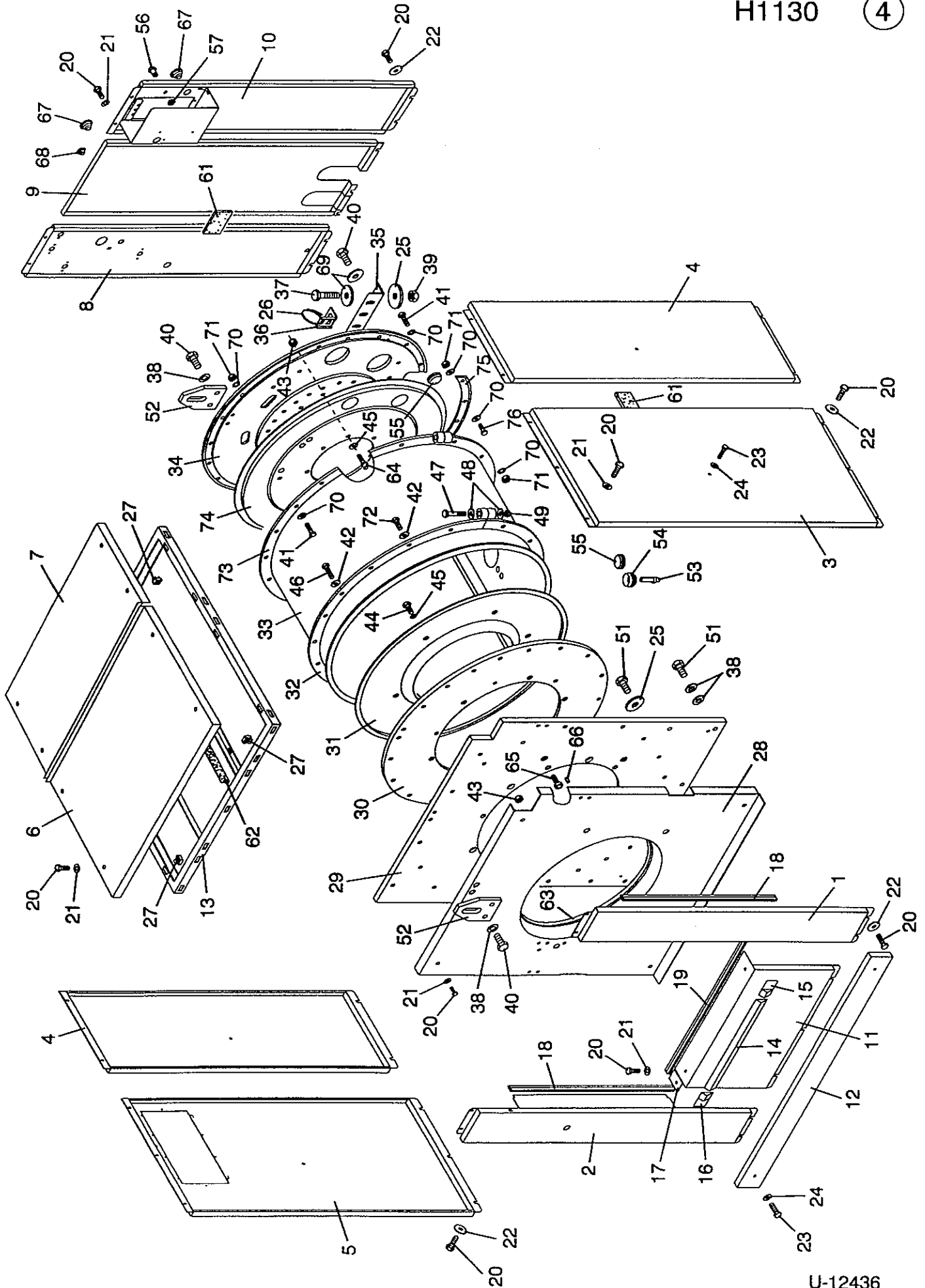
N°	REF.	DENOMINATION	DENOMINACION	DÉNOMINATION
31	261784	MICROSWITCH DRIVE BRACKET	SOPORTE ACCIONADOR MICRORRUP.	SUPPORT ACTIONNEMENT MICRORRUP
32	189407	MICROSWITCH DRIVE	ACCIONADOR MICRORRUPTOR	ACCIONNEMENT MICRORRUPTEUR
33	189399	MICROSWITCH DRIVE SPRING	MUELLE ACCIONADOR MICRORRUPTOR	RESSORT ACTIONNEMENT MICRORRUP
34	149534	BICR.WASHER B DIN125-ST 5,3	ARAN.B DIN125-ST BICR. 5,3	RONDELLE B BICR.DIN125-ST 5,3
35	147918	QUICK FIXING 211039-6	SUJEC.RAPIDA MIKALOR 211039-6	FIXATION RAPIDE 211039-6
36	278051	MICRO.DRIVE SLEEVE	CASQUILLO ACCIONADOR MICRO	FRETTE ACTIONNEMENT MICRO
37	134924	QUICK FIXING 2110441	SUJEC.RAPIDA MIKALOR 211044-1	FIXATION RAPIDE 2110441
38	278069	MICROSWITH ACTIVATOR END-PIECE	TOPE ACCIONADOR MICRORRUPTOR	ARRET ACCIONNATEUR MICROINT.
39	278085	MICRO ACTIV. END-PIECE BRACKET	SOPORTE TOPE ACCIONADOR MICRO.	SUPPORT ARRET ACCIONNAT.MICRO
40	146266	BICR.HEX SCREW DIN933-8 M-4X15	TOR.EX.DIN933-4.8 BICR.M 4X 15	VIS HEX BICR.DIN933-8.8 M-4X15
41	219758	WASHER 12X4X1,5	ARANDELA 12X4X1,5	RONDELLE 12X4X1,5
42	149476	BICR.WASHER B DIN125-ST 4,3	ARAN.B DIN125-ST BICR. 4,3	RONDELLE B DIN125-ST BICR.4,3
43	132043	SELFBLOCKING NUT DIN985 M 4	TUER.AUTOBL.DIN985-8 BICR.M 4	ECROU AUTOBLOCANT DIN985 M 4
44	283192	MICROSWITCH PROTECTION COVER	TAPA PROTECCION MICRORRUPTOR	COUVERCLE PROT. MICRORRUPTEUR
45	283200	MICRO PROTECTION FIXING-PIECE	FIJACION PROTECCION MICRO.	FIXATION PROTECTION MICRO
46	165621	BIC HEX SCREW DIN933-8,8 M6X10	TOR.EX.DIN933-8.8 BICR.M 6X 10	VIS HEX DIN933-8,8 BICR M6X10
47	115733	WASHER 16X7X3	ARANDELA 16X7X3	RONDELLE 16X7X3
48	277095	DRAIN BRACKET	SOPORTE DESAGÜE	SUPPORT VIDANGE
49	146399	BICR HEX SCREW DIN933-8 M8X20	TOR.EX.DIN933-8.8 BICR.M 8X 20	VIS HEX DIN933-8.8 BICR.M8X20
50	149518	BICR.WASHER B DIN125-ST 8,4	ARAN.B DIN125-ST BICR. 8,4	RONDELLE.B DIN125-ST BICR.8,4
51	157354	HEX SCREW 8G DIN 933 M-12X45	TOR.EX.DIN933-8.8 BICR.M12X 45	VIS HEX 8G DIN 933 M-12X45
52	150235	BICR.HEX NUT DIN 934-8 M-12	TUER.EX.DIN934-8 BICR.M12	ECROU HEX DIN 934-8 BICR.M-12
*	278598	SUSPENSION SET	CONJUNTO SUSPENSION	ENSEMBLE SUSPENSION



Nº	REF.	DENOMINATION	DENOMINACION	DÉNOMINATION
1	300160	MOTOR MBT132MD 208/380-60 (FOR 208-240/380V 60HZ) (FOR 200V 50HZ)	MOTOR MBT132MD 208/380-60 (PARA 208-240/380V 60HZ) (PARA 200 V 50HZ)	MOTEUR MBT132MD 208/380-60 (POUR 208-240/380V 60HZ) (POUR 200 V 50HZ)
	300145	MOTOR MBT132MD 220/380-50 (FOR 440 V 60HZ) (FOR 220/380 V 50HZ)	MOTOR MBT132MD 220/380-50 (PARA 440 V 60HZ) (PARA 220/380 V 50HZ)	MOTEUR MBT132MD 220/380-50 (POUR 440 V 60HZ) (POUR 220/380 V 50HZ)
	300152	MOTOR MBT132MD 240/415-50 (FOR 240/415-440 V 50HZ)	MOTOR MBT132MD 240/415-50 (PARA 240/415-440 V 50HZ)	MOTEUR MBT132MD 240/415-50 (POUR 240/415-440 V 50HZ)
	177949	KLIXON 9700K 46-11 150°C	KLIXON 9700 K 46-11,150 GRADOS	KLIXON 9700K 46-11 150°C
	305789	BEARING 6208-22 QE6	RODAMIENTO 6208-22 QE6	ROULEMENT 6208-22 QE6
2	238006	WASH MOTOR PULLEY	POLEA MOTOR LAVADO	POULIE MOTEUR LAVAGE
3	175760	ALLEN BUMP DIN 916 M-10X25	ESPARRAGO ALLEN DIN916 M10X25	GOUJON ALLEN DIN 916 M-10X25
4	150193	BICR HEX NUT DIN 934-8 M10	TUER.EX.DIN934-8 BICR.M10	ECROU HEX DIN 934-8 BICR.M10
5	110155	PIN DIN 6885-A 70X10X8	CHAVETA DIN 6885-A 70X10X8	CLAVETTE DIN 6885-A 70X10X8
6	140178	RACCORD PG-13 REF.331304	RACOR PG-13 REF.331304	RACCORD PG-13 REF.331304
7	140376	REDUCER PG-21-13,5	REDUCTOR PG 21-13,5	REDUCTEUR PG-21-13,5
8	140269	COUNTERNUT PG-21	CONTRATUERCA PG-21	CONTREECROU PG-21
9	146977	HEX SCREW 8G DIN 933 M-10X35	TOR.EX.DIN933-8.8 BICR.M10X 35	VIS HEX 8G DIN 933 M-10X35
10	149500	BICR.WASHER B DIN125-ST 10,5	ARAN.B DIN125-ST BICR.10,5	RONDELLE B DIN125-ST BICR.10,5
11	174441	TRAPEZOIDAL BELT SPZ-1800	CORREA TRAPEICIAL SPZ-1800	COURROIE TRAPEZOIDALE SPZ-1800
12	300129	MOTOR MBT132SC 208/380-60 (FOR 208-240/380V 60HZ) (FOR 200V 50HZ)	MOTOR MBT132SC 208/380-60 (PARA 208-240/380V 60HZ) (PARA 200 V 50HZ)	MOTEUR MBT132SC 208/380-60 (POUR 208-240/380V 60HZ) (POUR 200 V 50HZ)
	300103	MOTOR MBT132SC 220/380-50 (FOR 440 V 60HZ) (FOR 220/380 V 50HZ)	MOTOR MBT132SC 220/380-50 (PARA 440 V 60HZ) (PARA 220/380 V 50HZ)	MOTEUR MBT132SC 220/380-50 (POUR 440 V 60HZ) (POUR 220/380 V 50HZ)
	300111	MOTOR MBT132SC 240/415-50	MOTOR MBT132SC 240/415-50	MOTEUR MBT132SC 240/415-50
	177949	KLIXON 9700K 46-11 150°C	KLIXON 9700 K 46-11,150 GRADOS	KLIXON 9700K 46-11 150°C
	305789	BEARING 6208-22 QE6	RODAMIENTO 6208-22 QE6	ROULEMENT 6208-22 QE6
13	220004	EXTRACT MOTOR PULLEY 60HZ (FOR 60HZ)	POLEA MOTOR CENTRIFUGADO 60HZ. (PARA 60 HZ)	POULIE MOTEUR ESSORAGE 60HZ (POUR 60 HZ)
	219980	EXTRACT MOTOR PULLEY 50HZ (FOR 50HZ)	POLEA MOTOR CENTRIFUGADO 50HZ. (PARA 50 HZ)	POULIE MOTEUR ESSORAGE 50HZ (POUR 50 HZ)
14	177899	PIN DIN 6885-B 63X10X8	CHAVETA DIN 6885-B 63X10X8	CLAVETTE DIN 6885-B 63X10X8
15	140194	COUPLING PG-21 REF. 332104	RACOR PG-21 REF.332104	RACCORD PG-21 REF.332104

Nº	REF.	DENOMINATION	DENOMINACION	DÉNOMINATION
16	140095	STUFFING-BOX PG-9	PRENSAESTOPAS PG- 9	PRESSE-ETOUPE PG-9
17	101022	REDUCER PG-21-9	REDUCTOR PG 21- 9	REDUCTEUR PG-21-9
18	159707	CONNECTION BOARD LEGRAND 2 EL.	REGLETA 2 ELEMENTOS	REGLETTE LEGRAND 2 ELEMENTS
19	245134	EXTRACT MOTOR SUPPLEMENT 50HZ (FOR 50HZ)	SUPLEMENTO MOTOR CENTR. 50HZ. (PARA 50 HZ)	SUPPLEMENT MOTEUR ESSORAGE (POUR 50 HZ)
20	144477	ALLEN SCREW DIN 912 M-10X30 (FOR 50HZ)	TORNILLO ALLEN DIN912 M10X30 (PARA 50 HZ)	VIS ALLEN DIN 912 M-10X30 50HZ (POUR 50 HZ)
21	216366	EXTRACT MOTOR CLAMP	BRIDA MOTOR CENTRIFUGADO	BRIDE MOTEUR ESSORAGE
22	175653	ALLEN SCREW 10.9 DIN7991M-8X25	TOR.AV.ALL.10.9 DIN7991M 8X 25	VIS ALLEN DIN 7991 10.9M-8X25
23	176768	PIN DIN 6885-AB 45X10X8	CHAVETA DIN 6885-AB 45X10X8	CLAVETTE DIN 6885-AB 45X10X8
24	177907 *	COIL FRAME 1410520.1.0-190	CARCASA BOBINA 1410520.1.0-190	CARCASSE BOBINE 1410520.1.0190
25	177915 *	CLUTCH ROTOR	ROTOR 14.105.20.1.0-D38	ROTOR EMBROYAGE
26	177923 *	CLUTCH ASSEMBLY 14.105.20.0.3	ARMADURA 14.105.20.0.3	ARMATURE EMBR.14.105.20.0.3
27	144402	ALLEN SCREW DIN 912 M-8X30	TORNILLO ALLEN DIN912 M 8X30	VIS ALLEN DIN 912 M-8X30
28	149518	BICR.WASHER B DIN125-ST 8,4	ARAN.B DIN125-ST BICR. 8,4	RONDELLE.B DIN125-ST BICR.8,4
29	164285	SELFBLOCKING NUT DIN985 M-8	TUER.AUTOBL.DIN985-8 BICR.M 8	ECROU AUTOBLOCANT DIN985 M-8
30	184432	ALLEN SCREW DIN7984 M10X30	TORNILLO ALLEN DIN7984 M10X30	VIS ALLEN DIN7984 M10X30
31	196287	SPECIAL WASHER SCREW DIN912	ARAN.ESPECIAL TORN.DIN912 M10	RONDELLE SPECIALE VIS DIN912
32	150649	SELFBLOCKING NUT DIN 985 M-10	TUER.AUTOBL.DIN985-8 BICR.M10	ECROU AUTOBLOCANT DIN 985 M-10
33	222224	CLUTCH PULLEY	POLEA EMBRAGUE	POULIE EMBROYAGE
34	174565	ADJUSTMENT WASHER PS40X50X0,1	ARAN.AJUSTE PS40X50X0,1 DIN988	RONDELLE REGLAGE PS40X50X0,1
35	238022	CLUTCH PULLEY SLEEVE	CASQUILLO POLEA EMBRAGUE	FRETTE POULIE EMBROYAGE
36	174466	BEARING 6010-2RS	RODAMIENTO 6010-2RS	ROULEMENT 6010-2RS
37	228973	CLUTCH PULLEY SEPARATOR	SEPARADOR POLEA EMBRAGUE	SEPARATEUR POULIE EMBROYAGE
38	131599	FLEXIBLE RING I-80 DIN 472	ANILLO ELASTICO I- 80 DIN 472	BAGUE ELASTIQUE I-80 DIN 472
39	238048	CLUTCH PULLEY WASHER	ARANDELA POLEA EMBRAGUE	RONDELLE POULIE EMBROYAGE
40	147025	HEX SCREW 8G DIN 933 M-12X30	TOR.EX.DIN933-8.8 BICR.M12X 30	VIS HEX. 8G DIN933 M-12X30
41	217489	CLUTCH PULLEY COVER	TAPA POLEA EMBRAGUE	COUVERCLE POULIE EMBROYAGE
42	146472	BICR HEX SCREW DIN933-8 M10X15	TOR.EX.DIN933-8.8 BICR.M10X 15	VIS HEX BICR.DIN933-8 M 10X15
43	243329	TIGHTENER BRACKET	SOPORTE TENSOR	SUPPORT TENDEUR
44	149419	BICR.WASHER B DIN125-ST 13	ARAN.B DIN125-ST BICR.13	RONDELLE B DIN125-ST BICR.13

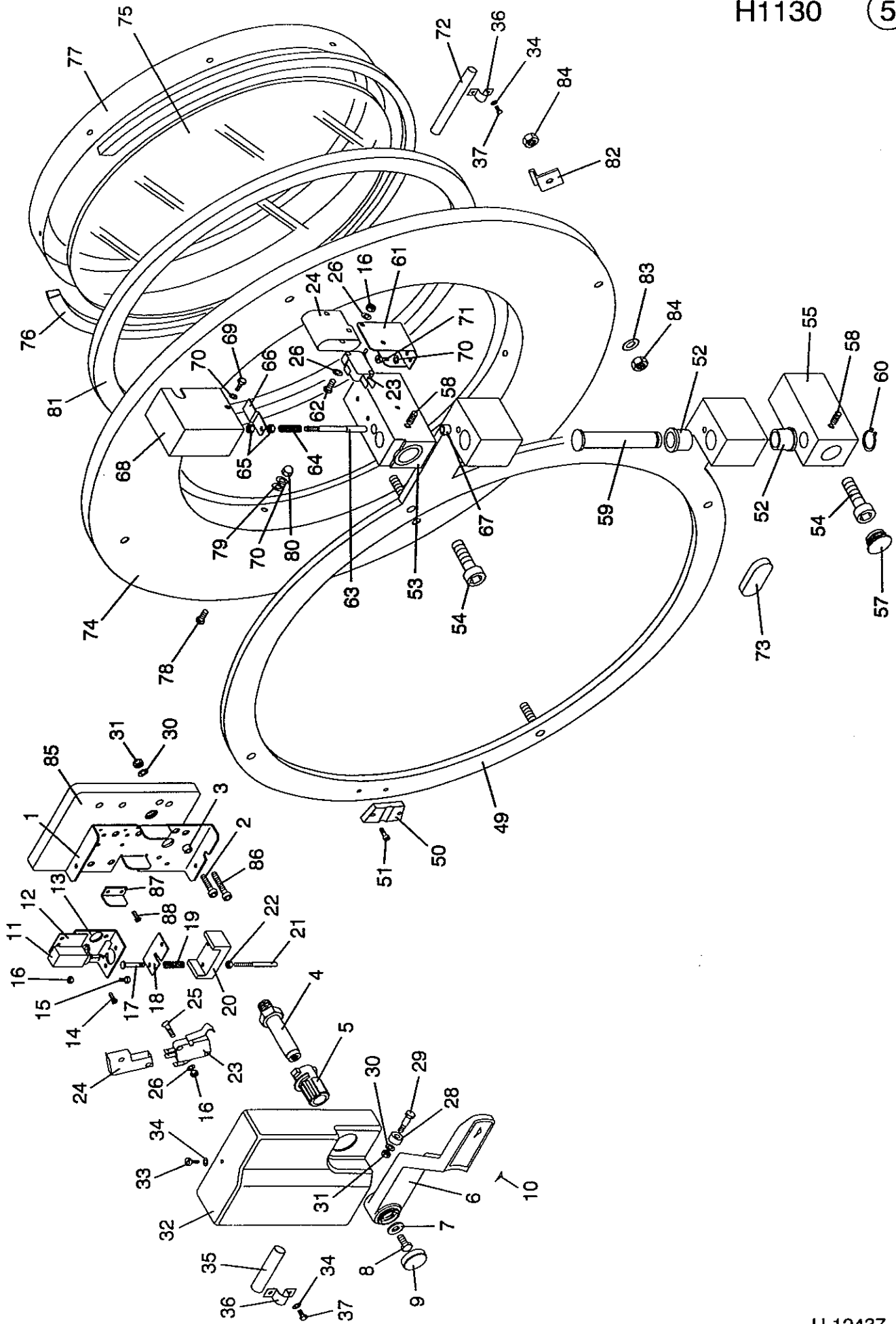
Nº	REF.	DENOMINATION	DENOMINACION	DÉNOMINATION
45	244533	TIGHTENER BUMP	ESPARRAGO TENSOR	GOUJON TENDEUR
46	149385	BICR.WASHER B DIN125-ST 17	ARAN.B DIN125-ST BICR.17	RONDELLE B DIN125-ST BICR.17
47	173260	SELF-BLOCKING NUT DIN 985 M-16	TUER.AUTOBL.DIN985-8 BICR.M16	ECROU AUTOBLOCANT DIN 985 M-16
48	243352	TIGHTENER ARM	BRAZO TENSOR	BRAS TENDEUR
49	244491	TIGHTENER PULLEY	POLEA TENSORA	POULIE TENDEUSE
50	244517	TIGHTENER SHAFT	MUÑON TENSOR	AXE TENDEUR
51	128512	BEARING 6005-2RS	RODAMIENTO 6005-2RS	ROULEMENT 6005-2RS
52	244509	TIGHTENER BEARING SEPARATOR	SEPARADOR COJINETES TENSOR	SEPARATEUR ROULEMENTS TENDEUR
53	131557	FLEXIBLE RING I-47 DIN 472	ANILLO ELASTICO I- 47 DIN 472	BAGUE ELASTIQUE I-47 DIN 472
54	147009	HEX SCREW 8G DIN 933 M-10X25	TOR.EX.DIN933-8.8 BICR.M10X 25	VIS HEX. DIN 933 M-10X25 8G
55	149799	GROWER WASHER DIN 127 M-10	ARANDELA GROWER DIN127 M10	RONDELLE GROWER DIN 127 M-10
56	244525	TIGHTENER	TENSOR	TENDEUR
57	219014	TIGHTENER SCREW	TORNILLO TENSOR	VIS TENDEUR
58	150250	BICR HEX.NUT DIN 934-8 M 14	TUER.EX.DIN934-8 BICR.M14	ECROU HEX.BICR DIN 934-8 M 14
59	219048	TIGHTENER PULLEY	POLEA TENSORA	POULIE TENDEUSE
60	218941	TIGHTENER PULLEY SHAFT	MUÑON POLEA TENSOR	AXE POULIE TENDEUR
61	150326	BICR.HEX NUT DIN 934-8 M 24	TUER.EX.DIN934-8 BICR.M24	ECROU HEX BICR DIN 934-8 M 24
62	128512	BEARING 6005-2RS	RODAMIENTO 6005-2RS	ROULEMENT 6005-2RS
63	244509	TIGHTENER BEARING SEPARATOR	SEPARADOR COJINETES TENSOR	SEPARATEUR ROULEMENTS TENDEUR
64	131557	FLEXIBLE RING I-47 DIN 472	ANILLO ELASTICO I- 47 DIN 472	BAGUE ELASTIQUE I-47 DIN 472
65	146480	BICR.HEX SCREW DIN933-8 M10X20	TOR.EX.DIN933-8.8 BICR.M10X 20	VIS HEX BICR.DIN933-8 M 10X20
66	115428	WASHER 30X10,5X3	ARANDELA 30X10,5X3	RONDELLE 30X10,5X3
67	176172	HEX SCREW 8G DIN 933 M-14X55	TOR.EX.DIN933-8.8 BICR.M14X 55	VIS HEX. 8G DIN 933 M-14X55
68	219071	WASHER 40X15X5	ARANDELA 40X15X5	RONDELLE 40X15X5
*	174557	COMPLETE CLUTCH	EMBRAGUE COMPLETO	EMBAYAGE COMPLET



Nº	REF.	DENOMINATION	DENOMINACION	DÉNOMINATION
1	277848	RIGHT FRONT LID (INOX)	TAPA FRONTAL DERECHA (INOX)	COUVERCLE FRONTAL DROIT (INOX)
	283341	RIGHT FRONT COVER (RED PAINTED)	TAPA FRONTAL DERECHA (PINTADA ROJA)	COUVERCLE FRONTAL DROIT (PEINTE ROUGE)
	283358	RIGHT FRONT COVER (GREY PAINTED)	TAPA FRONTAL DERECHA (PINTADA GRIS)	COUVERCLE FRONTAL DROIT (PEINTE GRIS)
2	277830	LEFT FRONT LID (INOX)	TAPA FRONTAL IZQUIERDA (INOX)	COUVERCLE FRONTAL GAUCHE (INOX)
	283382	LEFT FRONT COVER (RED PAINTED)	TAPA FRONTAL IZQUIERDA (PINTADA ROJA)	COUVERCLE FRONTAL GAUCHE (PEINTE ROUGE)
	283390	LEFT FRONT COVER (GREY PAINTED)	TAPA FRONTAL IZQUIERDA (PINTADA GRIS)	COUVERCLE FRONTAL GAUCHE (PEINTE GRIS)
3	245043	RIGHT FRONT SIDE PANEL	TAPA LATERAL ANTERIOR DERECHA	COUVERCLE LATERAL AVANT DROIT
4	245035	REAR SIDE COVER	TAPA LATERAL POSTERIOR	COUVERCLE LATERAL ARRIERE
5	245050	LEFT FRONT SIDE PANEL	TAPA LATERAL ANTERIOR IZQUIERDA	COUVERCLE LATERAL AVANT GAUCHE
6	278119	FRONT UPPER PLATE	TAPA SUPERIOR ANTERIOR	COUVERCLE SUPERIEUR FRONTAL
7	278101	REAR UPPER PLATE	TAPA SUPERIOR POSTERIOR	COUVERCLE SUPERIEUR ARRIERE
8	277103	LEFT REAR PLATE	TAPA POSTERIOR IZQUIERDA	COUVERCLE ARRIERE GAUCHE
9	260414	CENTRAL REAR LID	TAPA POSTERIOR CENTRAL	COUVERCLE ARRIERE CENTRAL
10	277467	RIGHT SIDE REAR PLATE	TAPA POSTERIOR LATERAL DERECHA	COUVERCLE ARRIERE LAT. DROIT
11	277822	LOWER FRONT LID	TAPA FRONTAL INFERIOR	COUVERCLE FRONTAL INFERIEUR
12	259846	SOCKET	ZOCALO	SOCLE
13	283317	UPPER FRAME	BASTIDOR SUPERIOR	BATI SUPERIEUR
14	242966	PROTECTION PROFILE	PERFIL PROTECCION	PROFILE PROTECTION
15	174581	TERMINAL RE. 4776/V-4 RIGHT	TERMINAL REF.V-4 DERECHA	TERMINAL REF 4776/V-4 DROITE
16	174599	TERMINAL RE 4776/V-4 LEFT	TERMINAL REF.V-4 IZQUIERDA	TERMINAL REF 4776/V-4 GAUCHE
17	277814	LOWER COVER SUPPLEMENT	SUPLEMENTO TAPA INFERIOR	SUPPLEMENT COUVERCLE INFERIEUR
18	278697	RIGHT & LEAFT FRONT PROFILE	PERFIL FRONTAL DER.E IZQU.	PROFILE FRONTAL DROIT/GAUCHE
19	278713	LOWER FRONT PROFILE	PERFIL FRONTAL INFERIOR	PROFILE FRONTAL INFERIEUR
20	144964	INOX HEX SCREW DIN 933 M-8X15	TOR.EX.INOX DIN933 M 8X 15	VIS HEX INOX DIN 933 M-8X15
21	149351	INOX A2 WASHER DIN 125 8,4	ARAN. DIN125 INOX A2 8,4	RONDELLE INOX A2 DIN 125 8,4
22	217133	WASHER 27X10X3	ARANDELA 27X10X3	RONDELLE 27X10X3
23	144907	INOX HEX SCREW DIN 933 M-6X10	TOR.EX.INOX DIN933 M 6X 10	VIS HEX INOX DIN 933 M-6X10

Nº	REF.	DENOMINATION	DENOMINACION	DÉNOMINATION
24	149310	INOX.A2 WASHER DIN125 6,4	ARAN. DIN125 INOX A2 6,4	RONDELLE INOX.A2 DIN125 6,4
25	269126	WASHER 60X17X12	ARANDELA 60X17X12	RONDELLE 60X17X12
26	140525	CLAMP 2244-0	BRIDA UNEX 2244-0	BRIDE 2244-0
27	174532	CAGED NUT M-8 R-310011-6	TUER.ENJ.M8 1,8-3,2 R.310011-6	ECROU ENCAGE M-8 R-310011-6
28	277251	FRONT LID	TAPA FRONTAL	COUVERCLE FRONTAL
29	277244	FRONT PLATE	PLACA FRONTAL	PLAQUE FRONTAL
30	254292	OUTER-DRUM FRONT CROWN	CORONA FRONTAL ENVOLVENTE	COURONNE FRONTAL CUVE
31	222000	OUTER-DRUM FRONT PANEL	FRONTAL ENVOLVENTE	FRONTAL CUVE
32	243279	OUTER-DRUM FIXING RING	ARO FIJACION ENVOLVENTE	BAGUE FIXATION CUVE
33	259689	OUTER-DRUM	ENVOLVENTE	CUVE
34	262915	REAR PLATE	PLACA POSTERIOR	PLAQUE ARRIERE
35	242958	REAR PLATE ANGLE	ANGULO PLACA POSTERIOR	ANGLE PLAQUE ARRIERE
36	245142	CLAMP	BRIDA	BRIDE
37	195966	BI.HEX SCREW DIN931-8. M16X120	TOR.EX.DIN931-8.8 BICR.M16X120	VIS HEX.DIN931-8,8 BIC.M16X120
38	149385	BICR.WASHER B DIN125-ST 17	ARAN.B DIN125-ST BICR.17	RONDELLE B DIN125-ST BICR.17
39	173260	SELF-BLOCKING NUT DIN 985 M-16	TUER.AUTOBL.DIN985-8 BICR.M16	ECROU AUTOBLOCANT DIN 985 M-16
40	175786	BIC.HEX SCREW DIN933-8.M16X40	TOR.EX.DIN933-8.8 BICR.M16X 40	VIS HEX.DIN933-8,8 BICR M16X40
41	145524	HEX SCREW 8G DIN931 M12X55	TOR.EX.DIN931-8.8 BICR.M12X 55	VIS HEX 8G DIN931 M12X55
42	149500	BICR.WASHER B DIN125-ST 10,5	ARAN.B DIN125-ST BICR.10,5	RONDELLE B DIN125-ST BICR.10,5
43	150649	SELFBLOCKING NUT DIN 985 M-10	TUER.AUTOBL.DIN985-8 BICR.M10	ECROU AUTOBLOCANT DIN 985 M-10
44	164087	INOX HEX SCREW DIN933 M10X40	TOR.EX.INOX DIN933 M10X 40	VIS HEX INOX DIN933 M10X40
45	175273	USIT GASKET TYPE UA 16X10X1,5	JUNTA USIT TIPO UA 16X10X1,5	JOINT USIT TYPE UA 16X10X1,5
46	147009	HEX SCREW 8G DIN 933 M-10X25	TOR.EX.DIN933-8.8 BICR.M10X 25	VIS HEX. DIN 933 M-10X25 8G
47	175703	HEX SCREW 8G DIN 931 M-14X100	TOR.EX.DIN931-8.8 BICR.M14X100	VIS HEX 8G DIN 931 M-14X100
48	149393	BICR WASHER B DIN125-ST 15	ARAN.B DIN125-ST BICR.15	RONDELLE B BICR DIN125-ST 15
49	164350	SELFBLOCKING NUT DIN-985 M-14	TUER.AUTOBL.DIN985-8 BICR.M14	ECROU AUTOBLOCANT DIN985 M-14
51	175729	HEX SCREW 8G DIN 931 M-16X100	TOR.EX.DIN931-8.8 BICR.M16X100	VIS HEX 8G DIN 931 M-16X100
52	216903	LOADING HOOK	GANCHO DE CARGA	CROCHET DE CHARGEMENT
53	193862	NTC RESISTANCE 2322 640 90034	RESISTENCIA NTC 2322 640 90042	RESISTANCE NTC 2322 640 90034
54	256149	SENSOR SHEATH LODGING	PASAMUROS SENSOR	LOGEMENT SENSEUR

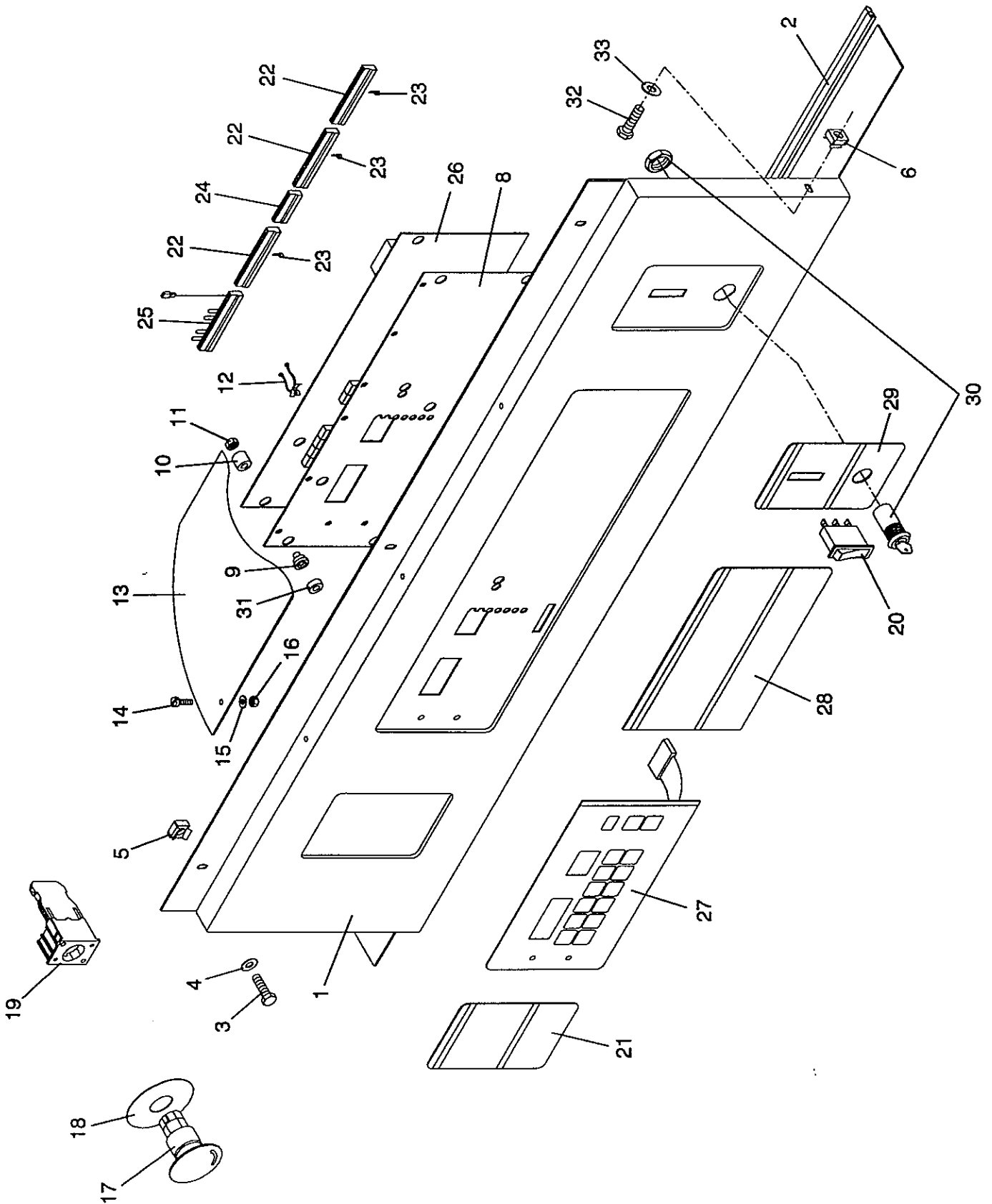
Nº	REF.	DENOMINATION	DENOMINACION	DÉNOMINATION
55	160101	THERMOSTAT INTAKE STOPPER	TAPON TOMA TERMOSTATO	BOUCHON PRISE THERMOSTAT
56	140103	STUFFING-BOX PG-11	PRENSAESTOPAS PG-11	PRESSE-ETOUPE PG-11
57	140236	COUNTERNUT PG-11	CONTRATUERCA PG-11	CONTREECROU PG-11
61	219543	ANTI-VIBRATION PIECE	PIEZA ANTI-VIBRACION	PIECE ANTI-VIBRATION
62	220038	UPPER COVER SUPPORT	APOYO TAPAS SUPERIORES	APPUI COUVERCLES SUPERIEURS
63	165472	ETHILENE-PROP. PROFILE (1 METER)	PERFIL ETILENO-PROP.REF.44117L (1 METRO)	PROFILE ETHILENE-PROP. (1 METRE)
64	157271	INOX HEX SCREW DIN933 M10X35	TOR.EX.INOX DIN933 M10X 35	VIS HEX INOX DIN933 M10X35
65	181313	ALLEN SCREW DIN912 M12X35	TORNILLO ALLEN DIN912 M12X35	VIS ALLEN DIN912 M12X35
66	150763	FLEXIBLE PIN DIN1481 D4X10	PASADOR ELASTICO DIN1481 D4X10	GOUJON ELASTIQUE DIN1481 D4X10
67	139683	CONE ECPC-6	CONO HIMEL ECPC-6	CONE ECPC-6
68	181701	LEGRAND CONE 91905	CONO LEGRAND 91905	CONE LEGRAND 91905
69	200626	WASHER 50X17X9	ARANDELA 50X17X9	RONDELLE 50X17X9
70	149419	BICR.WASHER B DIN125-ST 13	ARAN.B DIN125-ST BICR.13	RONDELLE B DIN125-ST BICR.13
71	150656	SELFBLOCKING NUT DIN985 M-12	TUER.AUTOBL.DIN985-8 BICR.M12	ECROU AUTOBLOCANT DIN985 M-12
72	175679	HEX SCREW 8G DIN 933 M-10X 45	TOR.EX.DIN933-8.8 BICR.M10X 45	VIS HEX 8G DIN 933 M-10X 45
73	244830	OUTER-DRUM FIXING RING	ARO FIJACION ENVOLVENTE	BAGUE FIXATION CUVE
74	254318	OUTER-DRUM BOTTOM	FONDO ENVOLVENTE	FOND CUVE
75	262923	OUTER-DRUM SEMI-RING	SEMI-ARO ENVOLVENTE	DEMI-BAGUE CUVE
76	157354	HEX SCREW 8G DIN 933 M-12X45	TOR.EX.DIN933-8.8 BICR.M12X 45	VIS HEX 8G DIN 933 M-12X45



Nº	REF.	DENOMINATION	DENOMINACION	DÉNOMINATION
1	276469	SAFETY LOCK BRACKET	SOPORTE CIERRE SEGURIDAD	SUPPORT FERMETURE DE SECURITE
2	144352	ALLEN SCREW DIN912 M-6X25	TORNILLO ALLEN DIN912 M 6X25	VIS ALLEN DIN912 M-6X25
3	276527	LOCK END-PIECE	TOPE CIERRE	ARRET FERMETURE
4	276485	LOCK SHAFT	EJE CIERRE	AXE FERMETURE
5	283671	LOCK KNOB UNION	UNION EMPUÑADURA CIERRE	UNION POIGNEE FERMETURE
6	199257	KNOB	EMPUÑADURA	POIGNEE
7	115733	WASHER 16X7X3	ARANDELA 16X7X3	RONDELLE 16X7X3
8	165621	BIC HEX SCREW DIN933-8,8 M6X10	TOR.EX.DIN933-8.8 BICR.M 6X 10	VIS HEX DIN933-8,8 BICR M6X10
9	189993	KNOB STOPPER	TAPON EMPUÑADURA	BOUCHON POIGNEE
10	193599	KNOB PLATE	PLACA EMPUÑADURA	PLAQUE POIGNEE
11	196774	THERMO-ACTUATOR 100331 15	TERMOACTUADOR 100331.15 NTA 6	THERMO-ACTIONNEMENT 100331 15
12	276535	THERMO-ACTUATOR ISOLATION	AISLANTE TERMOACTUADOR	ISOLANT THERMO-ACTIONNEMENT
13	276493	THERMO-ACTUATOR BRACKET	SOPORTE TERMOACTUADOR	SUPPORT THERMO-ACTIONNEMENT
14	146019	BICR CYL SCREW DIN 84-4.8 M3X5	TOR.CIL.DIN84-4.8 BICR.M 3X 5	VIS CYL BICR.DIN 84-4.8 M 3X 5
15	146027	BICR CYL SCREW DIN84-4 M 3X 7	TOR.CIL.DIN84-4.8 BICR.M 3X 7	VIS CYL BICR DIN84-4.8 M 3X 7
16	149906	INOX. HEX. NUT DIN 934 M-3	TUERCA EX. INOX DIN934 M 3	ECROU HEX. INOX DIN934 M-3
17	278622	SLIDING BLOCKING SCREW	TORNILLO BLOQUEADOR DESLIZANTE	VIS BLOQUEUR COULISSANT
18	280891	SLIDING BLOCKING PIECE	PIEZA BLOQUEADOR DESLIZANTE	PIECE BLOQUEUR COULISSANT
19	198069	SPRING	MUELLE COMPENSADOR	RESSORT
20	272575	SLIDING BLOCKER	BLOQUEADOR DESLIZANTE	BLOQUEUR COULISSANT
21	276501	MICROSWITCH DRIVE	ACCIONADOR MICRORRUPTOR	ACTIONNEMENT MICRORRUPTEUR
22	149922	INOX HEX. NUT DIN 934 M-4	TUERCA EX. INOX DIN934 M 4	ECROU HEX. INOX DIN 934 M-4
23	279760	MICROSWITCH	MINIRRUPTOR	MICRORRUPTEUR
24	281113	MICROSWITCH ISOLATION	AISLANTE MICRORRUPTOR	ISOLANT MICRORRUPTEUR
25	303131	BICR.SCREW DIN963-4.8 M 3X 20	TOR.AV.DIN963-4.8 BICR M 3X20	VIS.T/FRAIS DIN963-4.8 B.M3X20
26	149484	BICR.WASHER B DIN125-ST 3,2	ARAN.B DIN125-ST BICR. 3,2	RONDELLE B.DIN125-ST BICR. 3,2
28	276519	KNOB ROLL	RODILLO EMPUÑADURA	ROULEAU POIGNEE
29	276477	KNOB BOLT	BULON EMPUÑADURA	BOULON POIGNEE
30	149526	BICR.WASHER B DIN125-ST 6,4	ARAN.B DIN125-ST BICR. 6,4	RONDELLE B DIN125-ST BICR.6,4
31	176834	SELFBLOCKING NUT DIN985 M-6	TUER.AUTOBL.DIN985-8 BICR.M 6	ECROU AUTOBLOCANT DIN985 M-6

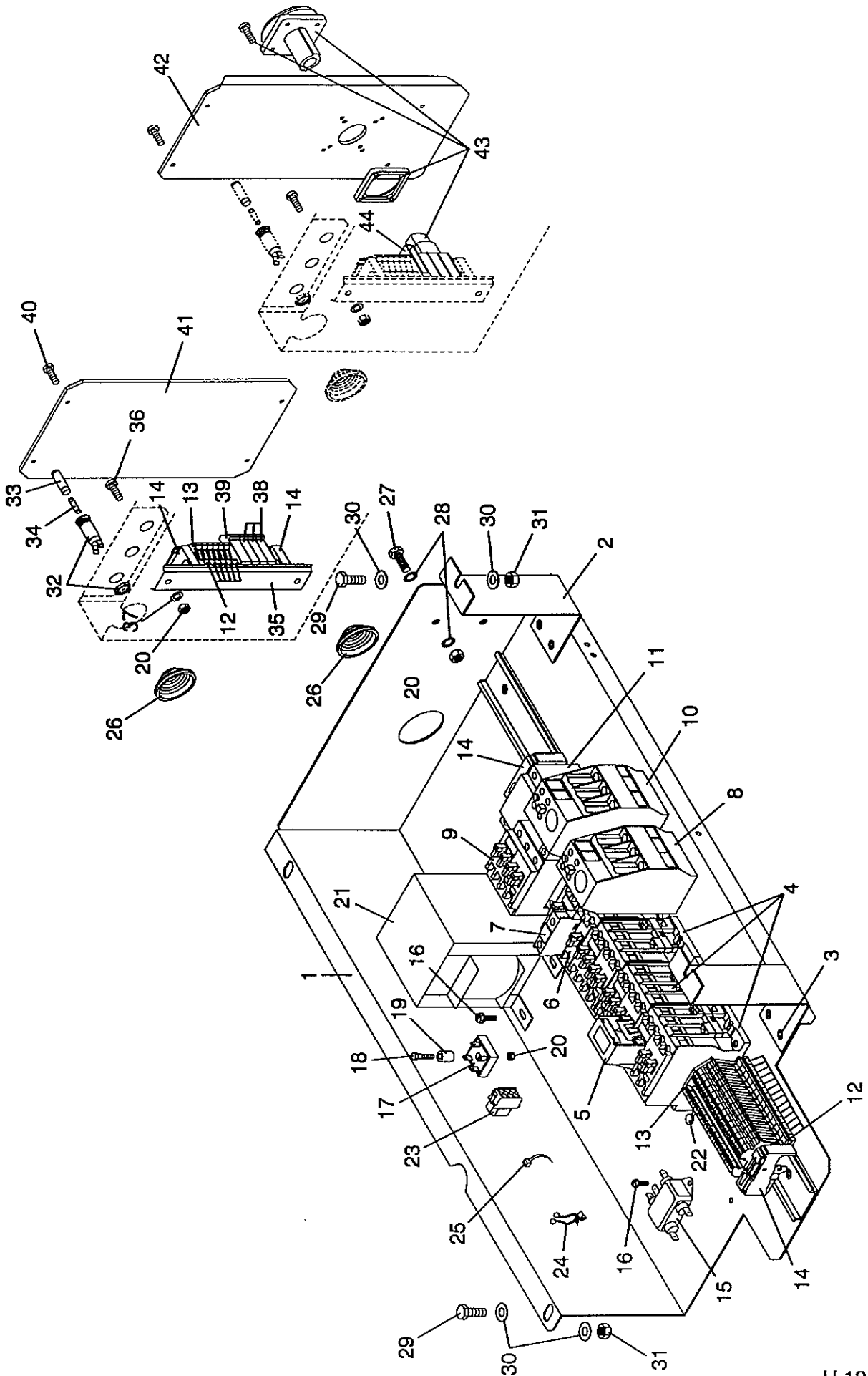
Nº	REF.	DENOMINATION	DENOMINACION	DÉNOMINATION
32	199307	SAFETY LOCK BOX	CAJA CIERRE SEGURIDAD	BOITE FERMETURE SECURITE
33	300632	INOX A2-70 SCREW DIN85 M5X 8	TOR.PLA.DIN85 INOX A2-70 M5X 8	VIS DIN85 INOX A2-70 M5X 8
34	149369	INOX A2 WASHER DIN 125 5,3	ARAN. DIN125 INOX A2 5,3	RONDELLE INOX A2 DIN 125 5,3
35	278036	WIRE PROTECTION HOSE	TUBO PROTECCION CABLES	TUBE PROTECTION CABLES
36	276824	WIRE PROTECTION CLAMP	BRIDA PROTECCION CABLES	BRIDE PROTECTION CABLES
37	144774	INOX HEX SCREW DIN 933 M-5X10	TOR.EX.INOX DIN933 M 5X 10	VIS HEX INOX DIN 933 M-5X10
49	282996	DOOR RING	ARO ESCOTILLA	BAGUE HUBLOT
50	199323	DOOR LOCK PIECE	PIEZA CIERRE SEGURIDAD	PIECE FERMETURE HUBLOT
51	144279	ALLEN SCREW DIN 912 M-5X15	TORNILLO ALLEN DIN912 M 5X15	VIS ALLEN DIN 912 M-5X15
52	174482	SELFOIL SLEEVE B11B22-28-25/33	COJ. SELFOIL B11B22-28-25/33-4	FRETTE SELFOIL B11B22-28-25/33
53	277285	HINGE	BISAGRA	CHARNIERE
54	175752	ALLEN SCREW DIN 912 M-20X60	TORNILLO ALLEN DIN912 M20X60	VIS ALLEN DIN 912 M-20X60
55	259952	HINGE	BISAGRA	CHARNIERE
57	176776	CONICAL END FIG. 26 D38	TOPE CONICO FIG.26 D38	ARRET CONIQUE FIG. 26 D38
58	175778	ALLEN BUMP DIN 916 M-8X15	ESPARRAGO ALLEN DIN916 M 8X15	GOUJON ALLEN DIN 916 M-8X15
59	206995	DOOR BOLT	BULON ESCOTILLA	BOULON HUBLOT
60	174524	FLEXIBLE RING E-22 DIN 471	ANILLO ELASTICO E-22 DIN 471	BAGUE ELASTIQUE E-22 DIN 471
61	276857	MICROSWITCH BRACKET	SOPORTE MICRORRUPTOR	SUPPORT MICRORRUPTEUR
62	146043	BIC CYL SCREW DIN84-4,8 M3X16	TOR.CIL.DIN84-4.8 BICR.M 3X16	VIS CYL DIN84-4,8 BICR.M3X16
63	276907	MICROSWITCH ACTIVATOR BOLT	PERNO ACCIONADOR MICRORRUPTOR	BOULON ACCIONATEUR MICRORRUPT.
64	198069	SPRING	MUELLE COMPENSADOR	RESSORT
65	149922	INOX HEX. NUT DIN 934 M-4	TUERCA EX.INOX DIN934 M 4	ECROU HEX. INOX DIN 934 M-4
66	276873	MICROSWITCH DRIVE	ACCIONADOR MICRORRUPTOR	ACTIONNEMENT MICRORRUPTEUR
67	276840	GUIDE SLEEVE	CASQUILLO GUIA	FRETTE GUIDE
68	276923	PROTECTION PLATE	TAPA PROTECCION	COUVERCLE PROTECTION
69	144832	INOX.HEX.SCREW DIN 933 M-4X10	TOR.EX.INOX DIN933 M 4X 10	VIS HEX INOX. DIN 933 M-4X10
70	149328	INOX A2 WASHER DIN 125 4,3	ARAN. DIN125 INOX A2 4,3	RONDELLE INOX A2 DIN 125 4,3
71	145664	INOX FLAT SCREW DIN85 M 4X8	TOR.PLA.DIN85 INOX A2-70 M4X 8	VIS PLAT INOX DIN85 M 4X8
72	276899	WIRE PROTECTION HOSE	TUBO PROTECCION CABLES	TUBE PROTECTION CABLES
73	200212	DOOR END-PIECE	TOPE ESCOTILLA	ARRET HUBLOT

Nº	REF.	DENOMINATION	DENOMINACION	DÉNOMINATION
74	244202 *	DOOR RING	ARO ESCOTILLA	BAGUE HUBLOT
75	174912	GLASS SPYHOLE D519X5	MIRILLA CRISTAL D519+-1,5X5	VITRE D519X5
76	174920	NEOPRENE A PROFILE L.1635 MM	PERFIL A EPDM BLANCO 1635MM.	PROFILE NEOPRENE A L.1635 MM
77	244210	OUTER RING	ARO EXTERIOR	BAGUE EXTERIEUR
78	145649	INOX FLAT SCREW DIN85 M 4X10	TOR.PLA.DIN85 INOX A2-70 M4X10	VIS PLAT INOX DIN85 M-4X10 A2
79	116129	SCREW GASKET	JUNTA TORNILLO	JOINT VIS
80	150151	INOX BLIND NUT DIN 1587 M-4	TUERCA CIE.INOX LAR.DIN1587M 4	ECROU AVEUGLE INOX DIN 1587 M4
81	176008	DOOR GASKET	JUNTA ESCOTILLA	JOINT HUBLOT
82	216820	DOOR GASKET CLIP	GRAPA JUNTA ESCOTILLA	CLIP JOINT HUBLOT
83	149302	INOX.A2 WASHER DIN 125 13	ARAN. DIN125 INOX A2 13	RONDELLE INOX.A2 DIN 125 13
84	149948	INOX. HEX. NUT DIN 934 M-12	TUERCA EX.INOX DIN934 M12	ECROU HEX. INOX. DIN 934 M-12
85	276543	LOCKING BASE	BASE CIERRE	BASE FERMETURE
86	302331	ALLEN SCREW DIN912-8.8 BICR.	TOR.ALLDIN912-8.8 BICR.M 6X 35	VIS ALLDIN912-8.8 BICR.M6X35
87	279810	LOCKING BOX COVER	TAPETA CAJA CIERRE	COUVERCLE BOITE FERMETURE
88	146035	BICR CYL SCREW DIN84 M-3X10	TOR.CIL.DIN84-4.8 BICR.M 3X10	VIS CYL BICR DIN84-4.8 M 3X10
*	244194	COMPLETE DOOR	ESCOTILLA COMPLETA	HUBLOT COMPLET



Nº	REF.	DENOMINATION	DENOMINACION	DÉNOMINATION
1	280883	CONTROL PANEL	PANEL DE MANDOS	PANNEAU COMMANDE
2	278705	CONTROL PANEL PROFILE	PERFIL PANEL DE MANDOS	PROFILE PANNEAU COMMANDES
3	144964	INOX HEX SCREW DIN 933 M-8X15	TOR.EX. INOX DIN933 M 8X 15	VIS HEX INOX DIN 933 M-8X15
4	149351	INOX A2 WASHER DIN 125 8,4	ARAN. DIN125 INOX A2 8,4	RONDELLE INOX A2 DIN 125 8,4
5	174532	CAGED NUT M-8 R-310011-6	TUER.ENJ.M8 1,8-3,2 R.310011-6	ECROU ENCAGE M-8 R-310011-6
6	165019	CAGED NUT M-6 0,5-1,5	TUER.ENJ.M6 0,5-1,5 R.310007-9	ECROU ENCAGE M-6 0,5-1,5
7	140525	CLAMP 2244-0	BRIDA UNEX 2244-0	BRIDE 2244-0
8	278317	PROCESSOR ISOLATOR	AISLANTE MICROPROCESADOR	ISOLANT MICROPROCESSEUR
9	277392	PLATE-CONTROL SEPARATOR	SEPARADOR PANEL-PLACA	SEPARATEUR TABLEAU-PLAQUE
10	277400	NUT-PLATE SEPARATOR	SEPARADOR PLACA-TUERCA	SEPARATEUR PLAQUE-ECROU
11	150185	BICR.HEX.NUT DIN934-8 M4	TUER.EX.DIN934-8 BICR.M 4	ECROU HEX.DIN934-8 BICR.M4
12	199893	CLAMP STL-3N-450	ABRAZADERA STL-3N-450	BRIDE STL-3N-450
13	258277	PROCESSOR BOARD LID	TAPA PLACA MICROPROCESADOR	COUVERCLE PLAQ.MICROPROCESSEUR
14	145649	INOX FLAT SCREW DIN85 M 4X10	TOR.PLA.DIN85 INOX A2-70 M4X10	VIS PLAT INOX DIN85 M-4X10 A2
15	219758	WASHER 12X4X1,5	ARANDELA 12X4X1,5	RONDELLE 12X4X1,5
16	132043	SELFBLOCKING NUT DIN985 M 4	TUER.AUTOBL.DIN985-8 BICR.M 4	ECROU AUTOBLOCANT DIN985 M 4
17	192310	MUSHROOM PUSH-BUTTON	PUL.HONGO ENCL.3SB10 00-1AC 01	PULSATEUR TYPE COUP DE POING
18	192294	YELLOW RING	ARO AMARILLO	BAGUE JAUNE
19	197343	CONNECTION ELEMENT 3SB13 20-0A	ELEMENTO CONEXION 3SB13 20-0A	ELEMENT CONNEXION 3SB13 20-0A
20	300780	SWITCH 1WIXII/3359 WHITE	INTER.PILOTO 1WIXII/3359 BLANC	INTERRUPTEUR 1WIXII/3359 BLANC
21	304030	CONTINENTAL SAFETY INSTR.PLATE (FOR USA AND CANADA ONLY)	PLACA INSTR.SEGURIDAD CONT. (SOLO PARA USA Y CANADA)	PLAQUE INSTR.SECUR.CONTINENTAL (SEULEMENT POUR USA ET CANADA)
	301069	ENGLISH SAFETY INSTR.PLATE (EXCEPT FOR USA AND CANADA)	PLACA INSTR.SEGURIDAD IN. (EXCEPTO PARA USA Y CANADA)	PLAQUE INSTR.SECURITE ANGLAIS (SAUF POUR USA ET CANADA)
	301077	SPANISH SAFETY INSTR.PLATE	PLACA INSTR.SEGURIDAD ES.	PLAQUE INSTR.SECURITE ESPAGNOL
	301085	FRENCH SAFETY INSTR.PLATE	PLACA INSTR.SEGURIDAD FR.	PLAQUE INSTR.SECURITE FRANCAIS
22	197301	PROTECTOR AMP-UNYT 1-640029-6	PROTECTOR AMP-UNYT 1-640029-6	PROTECTEUR AMP-UNYT 1-640029-6
23	197426	POLARIZATION AMP 640180-1	POSICIONADOR AMP 640180-1	POLARIZATION AMP 640180-1
24	199810	PROTECTOR AMP-UNYT 640029-8	PROTECTOR AMP-UNYT 640029-8	PROTECTEUR AMP-UNYT 640029-8
25	279208	IDENTIFICATION PLUG	CONECTORA IDENTIFICACION	CONNECTEUR IDENTIFICATION
26	300806	PROCESSOR BOARD PM	PLACA MICROPROCESADOR PM	PLAQUE MICROPROCESSEUR PM

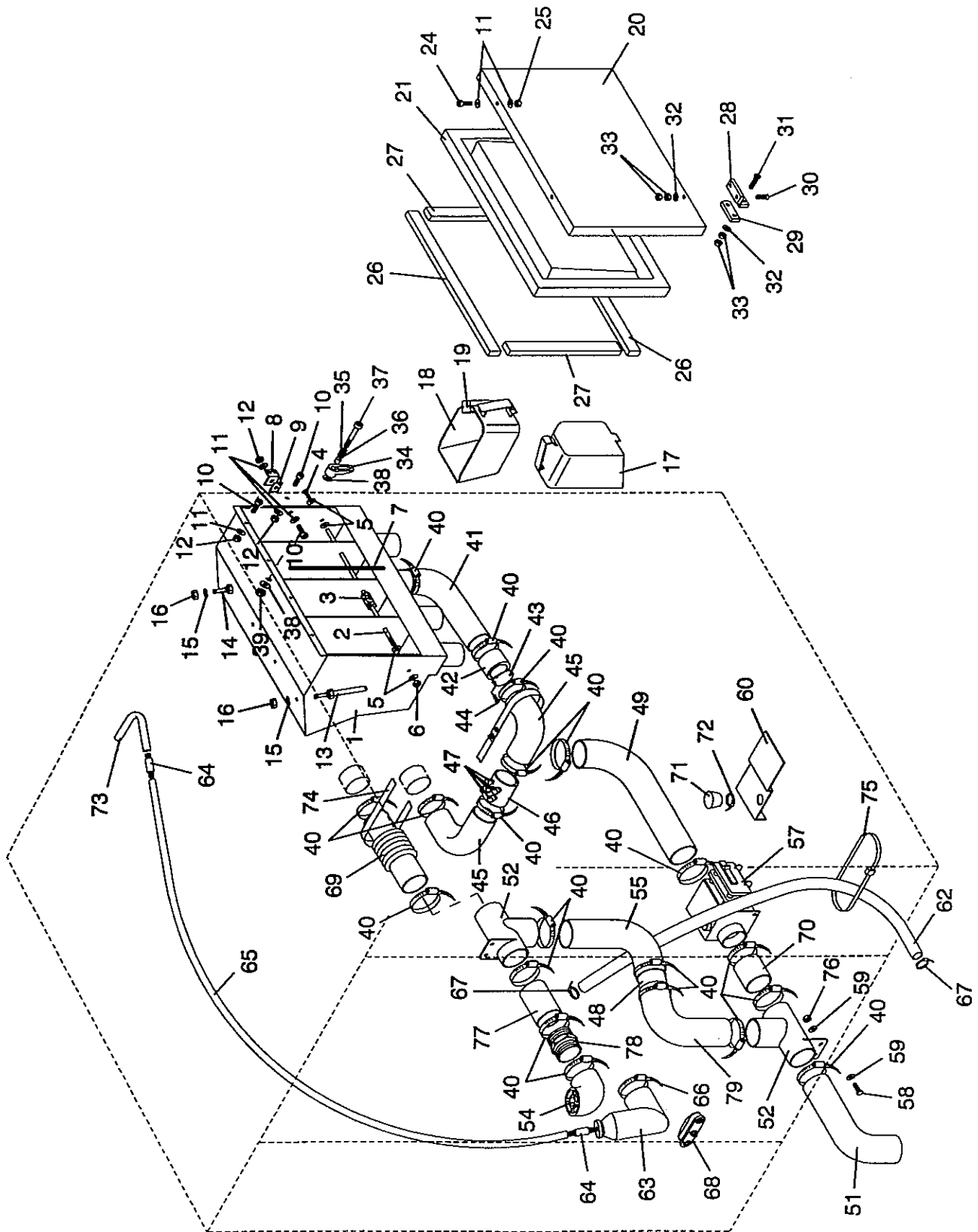
Nº	REF.	DENOMINATION	DENOMINACION	DÉNOMINATION
	303347	EPROM FOR WAHER PM3 VER2	EPROM LAVADORAS PM3 VER2	EPROM POUR MACH.A LAVER PM3 V2
	187195	RAM ZERO POWER MK48Z08-10	RAM ZERO POWER MK48Z08-10	RAM ZERO POWER MK48Z08-10
	187203	INPUT OPTOISOLATOR 4N26	OPTOACOPLADOR ENTRADA 4N26	OPTOISOLATOR ENTREE 4N26
	187211	OUTPUT OPTOISOLATOR S21MD4V	OPTOACOPLADOR SALIDA S21MD4V	OPTOISOLATOR SORTIE S21MD4V
	188003	DISPLAY TDSR 5160	DISPLAY TDSR 5160	DISPLAY TDSR 5160
27	300673	WASHER KEYBOARD PM	TECLADO LAVADORA PM	CLAVIER LAVEUSE PM
28	303982	CONTINENTAL OPERAT.INSTR.PLATE (FOR USA AND CANADA ONLY)	PLACA INSTR. FUNCION CONTINENT (SOLO PARA USA Y CANADA)	PLAQUE INSTR.FONCT.CONTINENTAL (SEULEMENT POUR USA ET CANADA)
	301440	ENGLISH OPERATION INSTR.PLATE (EXCEPT FOR USA AND CANADA)	PLACA INSTR.FUNCION. IN. (EXCEPTO PARA USA Y CANADA)	PLAQUE INSTR.FONCTION ANGLAIS (SAUF POUR USA ET CANADA)
	301457	SPANISH OPERATION INSTR.PLATE	PLACA INSTR.FUNCION. ES.	PLAQUE INSTR.FONCTION ESPAGNOL
	301465	FRENCH OPERATION INSTR.PLATE	PLACA INSTR.FUNCION. FR.	PLAQUE INSTR.FONCTION FRANCAIS
29	304097	GENERAL CONTROL PLATE (FOR USA AND CANADA ONLY)	PLACA MANDOS GENERALES (SOLO PARA USA Y CANADA)	PLAQUE COMMANDES GENERALES (SEULEMENT POUR USA ET CANADA)
	301994	GENERAL CONTROL PLATE (EXCEPT FOR USA AND CANADA)	PLACA MANDOS GENERALES (EXCEPTO PARA USA Y CANADA)	PLAQUE COMMANDES GENERALES (SAUF POUR USA ET CANADA)
30	256230	FUNCTION SWITCH	CONMUTADOR FUNCIONES	COMMUTATEUR FONCTIONS
31	279901	SEPARATOR WASHER	ARANDELA SEPARADOR	RONDELLE SEPARATEUR
32	146233	BICR.HEX SCREW DIN933-8 M6X15	TOR.EX.DIN933-8.8 BICR.M 6X 15	VIS HEX DIN933-8.8 BICR.M6X15
33	149526	BICR.WASHER B DIN125-ST 6,4	ARAN.B DIN125-ST BICR. 6,4	RONDELLE B DIN125-ST BICR.6,4



Nº	REF.	DENOMINATION	DENOMINACION	DÉNOMINATION
1	272344	INSTALLATION BOX PLATE	PLACA CAJA INSTALACION	PLAQUE BOITE INSTALLATION
2	277210	INSTALLATION BOX BRACKET	SOPORTE CAJA INSTALACION	SUPPORT BOITE INSTALLATION
3	151878	RIVET POP TLP/D/636/BS4,8X 9,1	REMA.POP TLP/D/636/BS 4,8X 9,1	RIVET TLP/D/636/BS 4,8X 9,1
4	193433	CONTACTOR 3TF31 01-OAN2	CONTACTOR 3TF31 01-OAN2	CONTACTEUR 3TF31 01-OAN2
	194050	COIL 3TY7 403-OAN2	BOBINA 3TY7 403-OAN2	BOBINE 3TY7 403-OAN2
5	196592	CONTACT BOLCK 3TX4 091-1A	BLOQUEO 3TX4 091-1A	BLOC CONTACT 3TX4 091-1A
6	195339	CONTACTOR 3TF33 00-OAN2	CONTACTOR 3TF33 00-OAN2	CONTACTEUR 3TF33 00-OAN2
	194050	COIL 3TY7 403-OAN2	BOBINA 3TY7 403-OAN2	BOBINE 3TY7 403-OAN2
7	193466	AUX. CONTACT BLOCK 3TX4001-2A	BLOQUE CONTACTO AUX.3TX4001-2A	BLOC CONTACT AUX. 3TX4001-2A
8	136523	THERMIC RELAY 3UA52 00-2C (FOR 200,208,220 AND 240V)	RELE TERM.3UA52 00-2C 16-25A (PARA 200,208,220 Y 240V)	RELAIS THERMIQUE 3UA52 00-2C (POUR 200,208,220 ET 240V)
	136515	THERMIC RELAY 3UA5200-2A (FOR 380,415 AND 440V)	RELE TERM.3UA52 00-2A 10-16A (PARA 380,415 Y 440V)	RELAIS THERMIQUE 3UA5200-2A (POUR 380,415 ET 440V)
9	300251	CONTACTOR 3TF34 11-OAN2	CONTACTOR 3TF34 11-OAN2	CONTACTEUR 3TF34 11-OAN2
	302810	COIL 3TY7 443-OAN2	BOBINA 3TY7 443-OAN2	BOBINE 3TY7 443-OAN2
10	302117	THERMICAL RELAY 3UA55 32-40A (FOR 200-208 V 60HZ)	RELE TERM.3UA55 00-2R 32-40A (PARA 200-208 V 60HZ)	RELAIS THERM.3UA55 32-40A (POUR 200-208 V 60HZ)
	187047	THERMIC RELAY 3UA55 00-2Q (FOR 220-240V 60HZ) (FOR 200,220 AND 240V 50HZ)	RELE TERM.3UA55 00-2Q 25-36A (PARA 220-240V 60HZ) (PARA 200,220 Y 240V 50HZ)	RELAIS THERMIQUE 3UA55 00-2Q (POUR 220-240V 60HZ) (POUR 200,220 ET 240V 50HZ)
	187039	THERMIC RELAY 3UA55 00-2C (FOR 380,415 AND 440V)	RELE TERM.3UA55 00-2C 16-25A (PARA 380,415 Y 440V)	RELAIS THERMIQUE 13UA55 00-2C (POUR 380,415 ET 440V)
11	148502	AUT.SWITCH 3VU13 00-1MM00 (FOR 200,208,220 AND 240V)	INTERRUPTOR AUT.3VU13 00-1MM00 (PARA 200,208,220 Y 240V)	INTERRUPTEUR AUT.3VU13 (POUR 200,208,220 ET 240V)
	175208	AUTOMATIC SWITCH 3VE1 010-2L (FOR 380,415 AND 440V)	INTERRUPTOR AUT.3VU13 00-1ML00 (PARA 380,415 Y 440V)	INTERRUPTEUR AUT.3VE1 010-2L (POUR 380,415 ET 440V)
12	155457	TERMINAL BC 4/6 R 638255	BORNA CIAMA BC 4/6 R 638255	BORNE BC 4/6 R 638255
13	155275	END COVER FC2 5/10	TAPA FIN.CIAMA FC2.5/10 635455	COUVERCLE FINAL FC2.5/10
14	142331	FIXING CLAMP	TOPE FIJACION LEGRAND 37200	BRIDE FIXATION
15	199836	FILTER FRI FA-12	FILTRO DE RED RFI TIPO FA-12	FILTRE RFI FA-12
16	183400	CYL.PLATE SCREW DIN7971 8X3/8"	TOR.CHAPA EX.ARAH.BICR.8X3/8"	VIS PLAQUE CYL.DIN7971 8X3/8"
17	175224	RECTIFIER BRIDGE FB1006	PUENTE RECTIFIC.FAGOR FB1010	PONT RECTIFIEUR FB1006
18	144824	INOX HEX SCREW DIN933 M5X30	TOR.EX.INOX DIN933 M 5X 30	VIS HEX INOX DIN933 M5X30
19	300467	CYLINDER SEPARATOR SS10-4 CPVC	SEPARADOR CILINDR.SS10-4 CPVC	SEPARATEUR CYLINDR.SS10-4 CPVC

N°	REF.	DENOMINATION	DENOMINACION	DÉNOMINATION
20	150177	BICR HEX NUT DIN934-8 M5	TUER.EX.DIN934-8 BICR.M 5	ECROU HEX DIN934-8 BIC.M5
21	196931	TRANSFORMER IP00 160 VA	TRANSFORMADOR IP00 160 VA	TRANSFORMATEUR IP00 160 VA
22	177709	VARISTOR SKVA14A420	VARISTOR SKVA14A420	VARISTEUR SKVA14A420
23	139444	PROTECTOR 1/480705-0	PROTECTOR 1/480705-0	PROTECTEUR 1/480705-0
24	199893	CLAMP STL-3N-450	ABRAZADERA STL-3N-450	BRIDE STL-3N-450
25	140434	CLAMP 2221	BRIDA UNEX 2221	BRIDE 2221
26	139683	CONE ECPC-6	CONO HIMEL ECPC-6	CONE ECPC-6
27	146290	BICR.HEX SCREW DIN933-8 M-5X20	TOR.EX.DIN933-8.8 BICR.M 5X 20	VIS HEX BICR.DIN933-8.8 M-5X20
28	149724	BICR EXT.TOOT.WASH.DIN6798 M5	ARAN.DEN.EXTER.BICR.DIN6798M 5	RONDEL DEN.EX.BICR.DIN6798 M5
29	146233	BICR.HEX SCREW DIN933-8 M6X15	TOR.EX.DIN933-8.8 BICR.M 6X 15	VIS HEX DIN933-8.8 BICR.M6X15
30	149526	BICR.WASHER B DIN125-ST 6,4	ARAN.B DIN125-ST BICR. 6,4	RONDELLE B DIN125-ST BICR.6,4
31	150227	BICR HEX NUT DIN934-8 M6	TUER.EX.DIN934-8 BICR.M 6	ECROU HEX DIN934-8 BICR.M6
32	160119	FUSE HOLDER REF.FEC 031 1631	PORTAFUSIBLES REF.FEC.031.1631	PORTE-FUSIBLE REF.FEC 031 1631
33	137661	BAYONET HEAD (FOR FUSE 6X32)	CABEZA BAYONETA FEK.031.1613 (PARA CARTUCHO 6X32)	TETE BAYONETTE (POUR CARTOUCHE 6X32)
	192286	BAYONET HEAD (FOR FUSE 5X20)	CABEZA BAYONETA FEK.031.1611 (PARA CARTUCHO 5X20)	TETE BAYONETTE (POUR CARTOUCHE 5X20)
34	182485	FUSE FST 0034.5225 1A (FOR FUSE 6X32)	CART.FUSIBLE FST 0034.5225 1A (PARA CARTUCHO 6X32)	CARTOUCHE FUS.FST 0034.5225 1A (POUR CARTOUCHE 6X32)
	302612	FUSE FSD 0034.3987 1A (FOR FUSE 5X20)	CART.FUSIBLE FSD 0034.3987 1A (PARA CARTUCHO 5X20)	CARTOUCHE FUSIBLE FSD 0034 1A (POUR CARTOUCHE 5X20)
35	245571	CONTACTOR FIXING PROFILE	PERFIL FIJACION CONTACTORES	PROFILE FIXATION CONTACTEURS
36	146175	BICR CYL SCREW DIN84-4 M-5X10	TOR.CIL.DIN84-4.8 BICR.M 5X10	VIS CYL BICR DIN84-4.8.M-5X10
37	149534	BICR.WASHER B DIN125-ST 5,3	ARAN.B DIN125-ST BICR. 5,3	RONDELLE B BICR.DIN125-ST 5,3
38	163360	TERMINAL BC 25/35 630655 (WITHOUT SWITCH DISCONNECTOR)	BORNA CIAMA BC 25/35 630655 (SIN INTERRUPTOR SECCIONADOR)	BORNE BC 25/35 630655 (SANS INTERRUPTEUR SECTIONNER)
39	192245	TERMINAL BCT 25 632112 (WITHOUT SWITCH DISCONNECTOR)	BORNA CIAMA BCT 25 632112 (SIN INTERRUPTOR SECCIONADOR)	BORNE BCT 25 632112 (SANS INTERRUPTEUR SECTIONNER)
40	146084	BICR CYL SCREW DIN84 M 4X 10	TOR.CIL.DIN84-4.8 BICR.M 4X10	VIS CYL BICR DIN84-4.8 M 4X 10
41	283739	CURRENT INLET COVER (WITHOUT SWITCH DISCONNECTOR)	TAPA ENTRADA CORRIENTE (SIN INTERRUPTOR SECCIONADOR)	COUVERCLE ENTREE COURANT (SANS INTERRUPTEUR SECTIONNER)
42	277590	CURRENT INPUT COVER (WITH SWITCH DISCONNECTOR)	TAPA ENTRADA CORRIENTE (CON INTERRUPTOR SECCIONADOR)	COUVERCLE ENTRÉE DE COURANT (AVEC INTERRUPTEUR SECTIONNER)

N°	REF.	DENOMINATION	DENOMINACION	DÉNOMINATION
43	300400	ACCESSOR FOR 3LD1:3LD9.100-5B (WITH SWITCH DISCONNECTOR)	ACCESOR.PARA 3LD1:3LD9 100-5C (CON INTERRUPTOR SECCIONADOR)	ACCESOR.POUR 3LD1:3LD9 100-5B (AVEC INTERRUPTEUR SECTIONNER)
44	300384	PAQUET.SWITCH 3LD1 518-0TB53 (WITH SWITCH DISCONNECTOR)	INTERRUP.PAQUET.3LD1 518-0TB53 (CON INTERRUPTOR SECCIONADOR)	INTERRUPTEUR PAQUET.3LD1 518 (AVEC INTERRUPTEUR SECTIONNER)



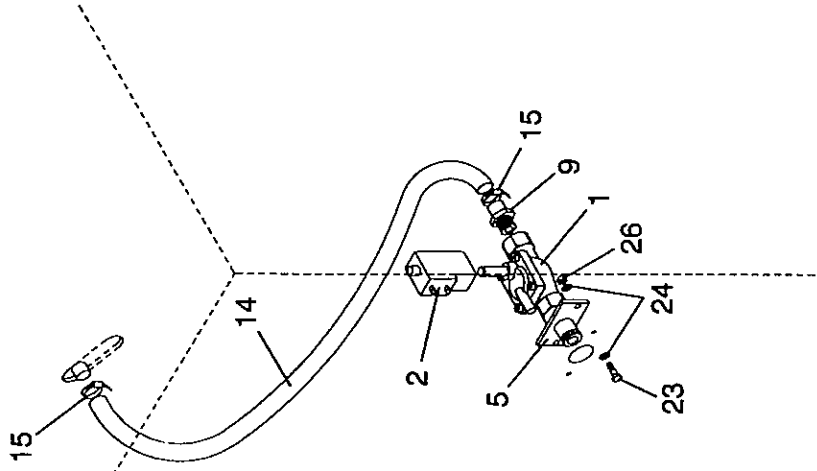
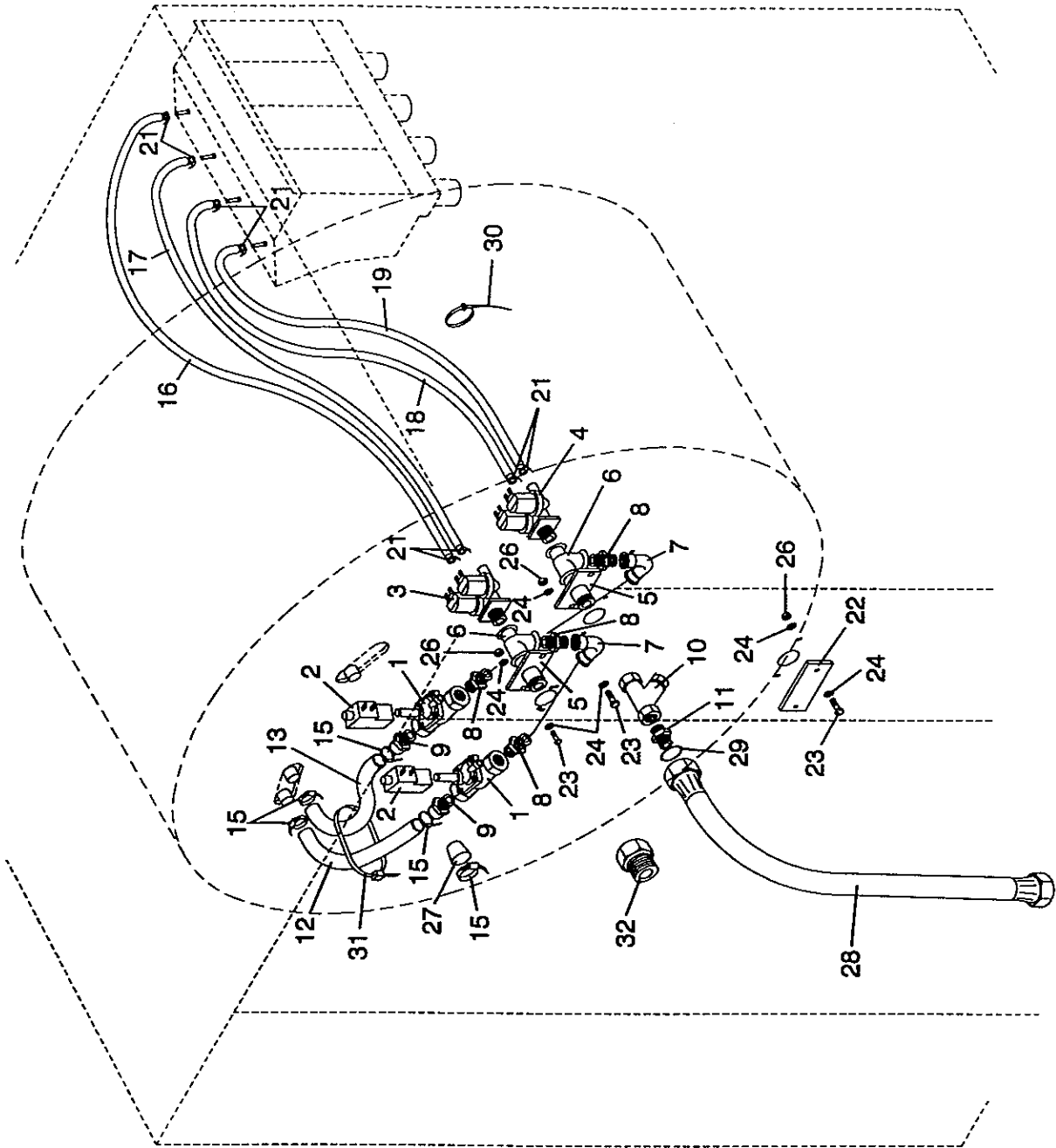
Nº	REF.	DENOMINATION	DENOMINACION	DÉNOMINATION
1	256404	DISPENSER BOX SET (PIN AND PROFILES INCLUDES)	CONJUNTO DOSIFICADORES (INCLUYE VARILLA Y PERFILES)	ENSEMBLE BOITE BAC A PRODUITS BAGUETTE ET PROFILES COMPRIS
2	256545	SOAP DISPENSER BAR	VARILLA DOSIFICADOR	BAGUETTE BAC A PRODUITS
3	271916	SOAP DISPENSER ROD PROTECTION	FUNDA VARILLA DOSIFICADOR	FOURREAU BAGUET.BAC A PRODUITS
4	144782	INOX HEX SCREW DIN933 M 5X15	TOR.EX.INOX DIN933 M 5X 15	VIS HEX INOX DIN933 M 5X15
5	160838	WASHER 14X6X1,5	ARANDELA 14X6X1,5	RONDELLE 14X6X1,5
6	176826	SELF-BLOCKING NUT DIN 985 M-5	TUER.AUTOBL.DIN985-8 BICR.M 5	ECROU AUTOBLOCANT DIN 985 M-5
7	255547	SOAP DISPENSER PROFILE	PERFIL DOSIFICADORES	PROFILE BACS A PRODUITS
8	256370	SOAP DISPENSER FIXING	FIJACION DOSIFICADOR	FIXATION BAC A PRODUITS
9	256446	SOAP DISPENSER BRACKET PIECE	PIEZA SOPORTE DOSIFICADOR	PIECE SUPPORT BAC A PRODUITS
10	145631	INOX FLAT SCREW DIN85 M 4X15	TOR.PLA.DIN85 INOX A2-70 M4X15	VIS PLAT INOX DIN85 M 4X15 A2
11	149328	INOX A2 WASHER DIN 125 4,3	ARAN. DIN125 INOX A2 4,3	RONDELLE INOX A2 DIN 125 4,3
12	176792	INOX SELF-BLOCK.NUT DIN985 M 4	TUER.AUTOBL.DIN985 INOX M 4	ECROU AUTOBLOC.INOX DIN985 M 4
13	244467	DISPENSER HOSE	TUBO DOSIFICADOR	TUBE BAC A PRODUITS
14	242883	DISPENSER HOSE COUPLING	RACOR TUBO DOSIFICADOR	RACCORD TUBE BAC A PRODUITS
15	149393	BICR WASHER B DIN125-ST 15	ARAN.B DIN125-ST BICR.15	RONDELLE B BICR DIN125-ST 15
16	150250	BICR HEX.NUT DIN 934-8 M 14	TUER.EX.DIN934-8 BICR.M14	ECROU HEX.BICR DIN 934-8 M 14
17	244806	SOLID SOAP DISPENSER	DOSIFICADOR DETERGENTE SOLIDO	BAC A PRODUIT DETERGENT SOLIDE
18	244855	LIQUID SOAP DISPENSER (HOSE INCLUDED)	DOSIFICADOR DETERGENTE LIQUIDO (INCLUYE TUBO)	BAC A PRODUIT DETERG.LIQUIDE (TUBE COMPRIS)
19	234930	CHLORINE INTAKE HOSE	TUBO ASPIRACION CLORO	TUBE ASPIRATION CHLORE
20	244566	DISPENSERS LID	TAPA DOSIFICADORES	COUVERCLE BAC A PRODUITS
21	199984	SOAP DISPENSER COUNTERLID	CONTRATAPA DOSIFICADORES	CONTRECOUVERCLE BAC A PRODUITS
24	145649	INOX FLAT SCREW DIN85 M 4X10	TOR.PLA.DIN85 INOX A2-70 M4X10	VIS PLAT INOX DIN85 M-4X10 A2
25	149922	INOX HEX. NUT DIN 934 M-4	TUERCA EX.INOX DIN934 M 4	ECROU HEX. INOX DIN 934 M-4
26	256396 &	DISPENSER LID GASKET	JUNTA TAPA DOSIFICADOR	JOINT COUVERCLE BAC A PRODUITS
27	244608 &	DISPENSERS LID GASKET	JUNTA TAPA DOSIFICADORES	JOINT COUVERCLE BAC A PRODUITS
28	176800	HINGE RE 15186 CHROMED	BISAGRA INDAUX REF.15186 CROM.	CHARNIERE 15186 CHROM
29	244590	HINGE SUPPLEMENT	SUPLEMENTO BISAGRA	SUPPLEMENT CHARNIERE
30	176784	INOX SCREW DIN 963 M-3X10 A270	TOR.AV.DIN963 INOX A2-70 M3X10	VIS INOX DIN 963 M-3X10 A2-70
31	144758	INOX LENS HEAD S.DIN963 M 3X15	TOR.AV.DIN963 INOX A2-70 M3X15	VIS T/FRAI.INOX DIN963 M 3X15

Nº	REF.	DENOMINATION	DENOMINACION	DÉNOMINATION
32	152132	INOX A2 WASHER DIN 125	ARAN. DIN125 INOX A2 3,2	RONDELLE INOX A2 DIN 125 3,2
33	149906	INOX. HEX. NUT DIN 934 M-3	TUERCA EX. INOX DIN934 M 3	ECROU HEX. INOX DIN934 M-3
34	187393	LOCKING HANDLE	MANECILLA CIERRE	POIGNEE FERMETURE
35	187401	LOCKING HANDLE SPRING	MUELLE MANECILLA CIERRE	RESSORT POIGNEE FERMETURE
36	257469	HANDLE HOSE	TUBO MANECILLA	TUBE POIGNEE
37	144436	ALLEN SCREW DIN912 M8X45	TORNILLO ALLEN DIN912 M 8X45	VIS ALLEN DIN912 M8X45
38	149351	INOX A2 WASHER DIN 125 8,4	ARAN. DIN125 INOX A2 8,4	RONDELLE INOX A2 DIN 125 8,4
39	164285	SELFBLOCKING NUT DIN985 M-8	TUER.AUTOBL.DIN985-8 BICR.M 8	ECROU AUTOBLOCANT DIN985 M-8
40	132340	CLAMP 301510-0 D80-100	ABRAZ.MIKALOR 301510-0D80-100	BRIDE 301510-0 D80-100
41	163204	DRAIN HOSE	TUBO DESAGUE	TUBE VIDANGE
42	263962	STOPPER (MEMBRANE INCLUDED)	OBTURADOR (INCLUYE MEMBRANA)	OBTURATEUR (COMPRIS MEMBRANE)
43	263954	STOPPER MEMBRANE	MEMBRANA OBTURADOR	OBTURATEUR MEMBRANE
44	192203	INOX PLATE SCREW DIN7971 4X1/2	TOR.CHAPA INOX.DIN7971 4X1/2"	VIS PLAQUE INOX DIN7971 4X1/2"
45	175083	WATER INLET ELBOW	CODO ENTRADA AGUA	COUDE ENTREE EAU
46	220061	SOAP INLET JOINTING	UNION ENTRADA DETERGENTE	UNION ENTREE DETERGENT
47	156679	CONICAL END-PIECE R-16 D10	TOPE CONICO REPRIMSA R-16 D10	ARRET CONIQUE R-16 D10
48	194217	OBTURATOR HOSE	TUBO OBTURADOR	TUBE OBTURATEUR
49	277087	DRAIN HOSE	TUBO DESAGUE	TUBE VIDANGE
51	163253	DRAIN OUTLET HOSE	TUBO SALIDA DESAGÜE	TUBE SORTIE VIDANGE
52	178152	INOX T AISI-304 D 73X1,5	TE UNION	T INOX AISI-304 D 73X1,5
54	300442	EXHAUST ELBOW	CODO SALIDA VAHOS	COUDE SORTIE VAPEURS
55	277368	OVERFLOW JOINTING	UNION REBOSADERO	UNION DEVERSOIR
57	163212	DRAIN (NORMALLY OPEN) (NORMALLY OPEN)	DESAGÜE(ABIERTO A F.DE CORR.) (NORMALMENTE ABIERTO)	VIDANGE (NORMALEMENT OUVERTE) (NORMALEMENT OUVERT)
	163238	DRAIN (NORMALLY CLOSED) (NORMALLY CLOSED)	DESAGÜE(CERRADO A F.DE CORR.) (NORMALMENTE CERRADO)	VIDANGE (NORMALEMENT FERMEE) (NORMALEMENT FERMÉ)
	159756	MOTOR AND GEAR-BOX RE. 453L (NORMALLY OPEN)	MOTOR-REDUCTOR 0,24A.MTR453L18 (NORMALMENTE ABIERTO)	MOTEUR ET REDUCTEUR REF.453L (NORMALEMENT OUVERT)
	159764	MOTOR AND GEAR-BOX RE. 453R (NORMALLY CLOSED)	MOTOR-REDUCTOR 453R 0,24AMP. (NORMALMENTE CERRADO)	MOTEUR ET REDUCTEUR REF. 453R (NORMALEMENT FERMÉ)
	159749	OPERATING SPRING RE. 308R (NORMALLY OPEN)	MUELLE ACCIONAMIENTO DS308R (NORMALMENTE ABIERTO)	RESSORT ACTIONNEMENT REF. 308R (NORMALEMENT OUVERT)

Nº	REF.	DENOMINATION	DENOMINACION	DÉNOMINATION
	159731	OPERATING SPRING RE.408L (NORMALLY CLOSED)	MUELLE ACCIONAMIENTO REF.408L (NORMALMENTE CERRADO)	RESSORT ACTIONNEMENT REF. 408L (NORMALEMENT FERMÉ)
	163394	TIGHTNESS SEAL RE. 311VP	RETEN ESTANQUEIDAD REF.VP311	RESERVE ETACHEITE REF. 311VP
	166561	DRAIN BODY RE. 711-SO 3"	CUERPO DESAGÜE REF.711-SO 3"	CORPS VIDANGE REF. 711-SO 3"
	166553	MOTOR FIXING PLATE REF. 304Z	PLACA FIJACION MOTOR REF.304Z	PLAQUE FIXATION MOTEUR 304Z
	166611	MOTOR FIXING PLATE SCREW	TORNILLO PLACA FIJAC.REF.306	VIS PLAQUE FIXATION MOTEUR
	166595	MOTOR PLATE FIXING SCREW 320C	TORNILLO FIJACION REF.320C	VIS FIXATION 320C
	166603	CYL PLATE SCREW DIN7971 8X2"	TOR.CHAPA CILI.DIN7971 8X2"	VIS PLAQUE CYL DIN7971 8X2"
	166587	OPERATING SHAFT REF. 713 (NORMALLY OPEN)	EJE ACCIONAMIENTO REF.713 (NORMALMENTE ABIERTO)	AXE ACTIONNEMENT REF. 713 (NORMALEMENT OUVERT)
	166579	OPERATING SHAFT 813C (NORMALLY CLOSED)	EJE ACCIONAMIENTO REF.813C (NORMALMENTE CERRADO)	AXE ACTIONNEMENT 813C (NORMALEMENT FERMÉ)
	166629	OPERATIN SHAFT WASHER 823	ARANDELA EJE ACCIONAM. REF.823	RONDELLE AXE ACTIONNEMENT 823
	166637	MANUAL LEVER REF. 601 (NORMALLY CLOSED)	PALANCA MANUAL REF.601 (NORMALMENTE CERRADO)	LEVIER MANUEL REF. 601 (NORMALEMENT FERMÉ)
58	146316	BICR.HEX SCREW DIN933-8 M-6X20	TOR.EX.DIN933-8.8 BICR.M 6X 20	VIX HEX BICR.DIN933-8.8 M-6X20
59	115733	WASHER 16X7X3	ARANDELA 16X7X3	RONDELLE 16X7X3
60	212795	DRAIN PROTECTION	PROTECCION DESAGÜE	PROTECTION VIDANGE
62	234047	BEARING BOX DRAIN HOSE	TUBO DESAGUE CAJA COJINETES	TUBE VIDANGE BOITE ROULEMENTS
63	120964	PRESSURE SWITCH INTAKE BODY	CUERPO TOMA PRESOSTATO	CORPS PRISE PRESSOSTAT
64	120956	LEVEL PRESSURE-SWITCH INTAKE	TOMA PRESOSTATO NIVEL	PRISE PRESSOSTAT NIVEAU
65	283523 a	PRESSOSTAT HOSE	TUBO PRESOSTATO	TUBE PRESSOSTAT
66	132290	CLAMP 301508-9 D50-70	ABRAZ.MIKALOR 301508-9 D50-70	BRIDE 301508-9 D50-70
67	156109	CLAMP 301503-8 D16-25	ABRAZ.MIKALOR 301503-8 D16-25	BRIDE 301503-8 D16-25
68	121962	HEATER INLET LID	CIERRE ENTRADA CALEFACTOR	FERMETURE ENTREE RESISTANCE
69	278218	VAPOUR OUTLET JOINTING	UNION SALIDA VAHOS	UNION SORTIE VAPEURS
70	277053	DRAIN JOINTING HOSE	TUBO UNION DESAGUE	TUBE UNION VIDANGE
71	135004	CONICAL END-PIECE REPRIMSA R16	TOPE CONICO REPRIMSA R-16 D30	ARRET CONIQUE REPRIMSA R16 D30
72	149609	CLAMP 301526-5 D25-40	ABRAZ.MIKALOR 301526-5 D25-40	BRIDE 301526-5 D25-40
73	279588	AIR CONDUCTION HOSE	TUBO CONDUCCION AIRE	TUBE CONDUITE AIR
74	192617	CLAMP	BRIDA	BRIDE
75	140509	CLAMP 2273-0	BRIDA UNEX 2273-0	BRIDE 2273-0

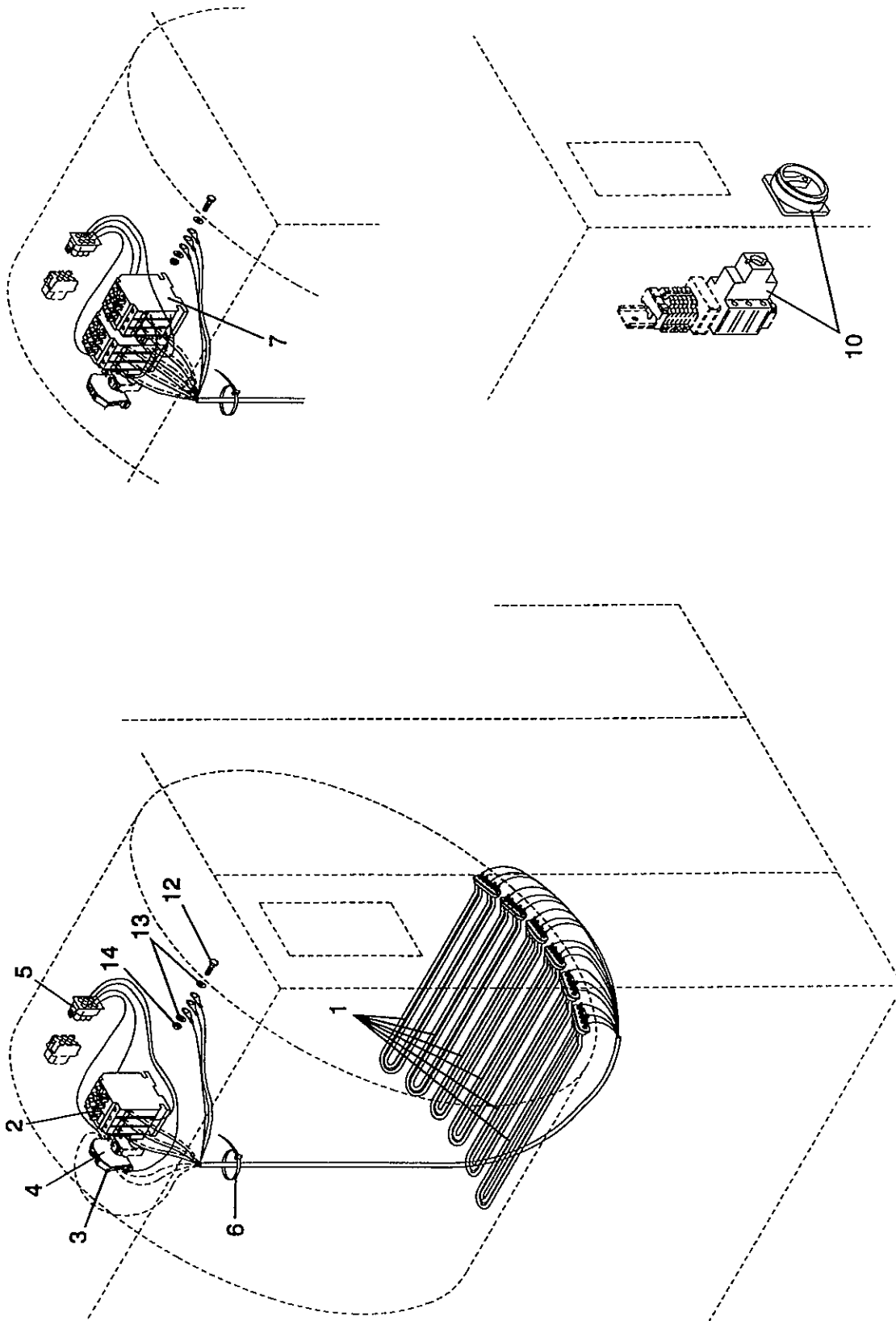
Nº	REF.	DENOMINATION	DENOMINACION	DÉNOMINATION
76	150227	BICR HEX NUT DIN934-8 M6	TUER.EX.DIN934-8 BICR.M 6	ECROU HEX DIN934-8 BICR.M6
77	277079	JOINTING HOSE	TUBO UNION	TUBE UNION
78	303107	DOUBLE THREAD BUTTRESS 2-1/2"	MACHON DOBLE ROSCA 2-1/2" PVC	PILIER DOUBLE FILET 2-1/2" PVC
79	163204	DRAIN HOSE	TUBO DESAGUE	TUBE VIDANGE

&	131888	1 METER 15X20 PROFILE	1 METRO PERFIL 15X20	1 METRE PROFILE 15X20
@	128199	1 METER RUBBER HOSE D 9X 5	1 METRO TUBO GOMA D 9X 5	1 METRE TUBE GOMME D 9X 5

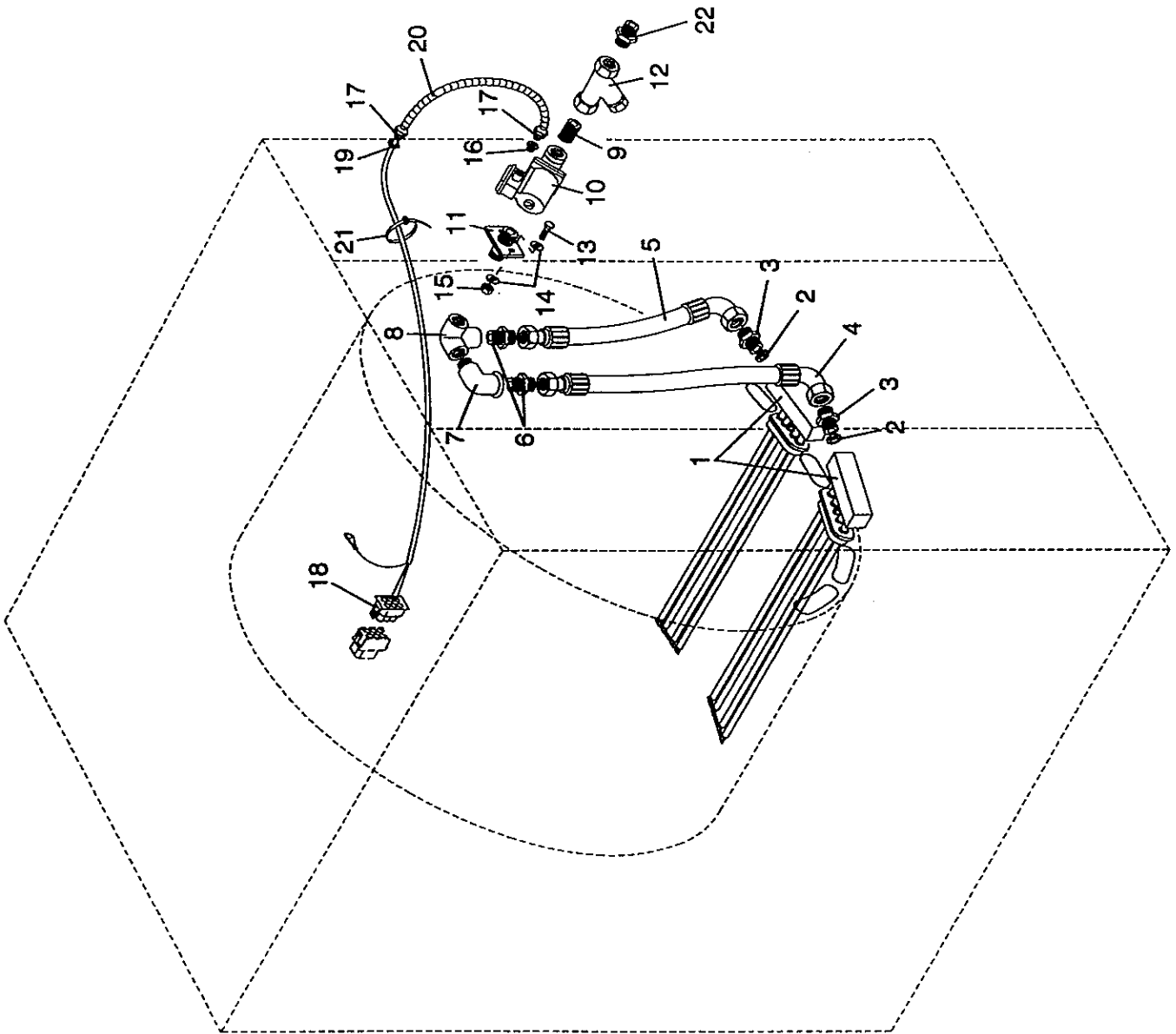


Nº	REF.	DENOMINATION	DENOMINACION	DÉNOMINATION
1	149591	VALVE BODY EVSI-25 32U7125	CUERPO VAL.EVSI-25 32U7125 WBD	CORPS VANNE EVSI-25 32U7125
	104067	SPARE PARTS KIT EVSI-25 WBD	KIT REPUES.EVSI-25 WBD 32U1075	KIT RECHANGES EVSI-25 WBD
2	100834	VALVE COIL 42N7523 220V 60HZ (FOR 60HZ)	BOBINA VAL.42N7523 220V 60HZ (PARA 60 HZ)	BOBINE VANNE 42N7523 220V 60HZ (POUR 60 HZ)
	100826	VALVE COIL 42N7501 220V 50HZ (FOR 50HZ)	BOBINA VAL.42N7501 220V 50HZ (PARA 50 HZ)	BOBINE VANNE 42N7501 220V 50HZ (POUR 50 HZ)
3	256503	TWO TRACK ELECTROVALVE	ELECTROVALVULA DOS VIAS	ELECTROVANNE DEUX VOIES
	192054	ELECT.SERIES 300 COIL 220/240V	BOBINA ELEC.SERIE 300 220/240V	BOBINE ELEC.SERIE 300 220/240V
	300194	YELLOW CASE 30053	ESTUCHE AMARILLO 30053	BOITE JAUNE 30053
	300202	INTEGRAL GUIDE-MEMBRANE 30696	MEMBRANA-GUIA INTEGRAL 30696	MEMBRANE-GUIDE INTEGRALE 30696
4	129379	DOUBLE ELECTROVALVE 349A 180º	ELECTROV.DOUBLE 349-A 180º	ELECTROVANNE DOUBLE 349A 180º
	192054	ELECT.SERIES 300 COIL 220/240V	BOBINA ELEC.SERIE 300 220/240V	BOBINE ELEC.SERIE 300 220/240V
	300194	YELLOW CASE 30053	ESTUCHE AMARILLO 30053	BOITE JAUNE 30053
	300202	INTEGRAL GUIDE-MEMBRANE 30696	MEMBRANA-GUIA INTEGRAL 30696	MEMBRANE-GUIDE INTEGRALE 30696
5	214502	ELECTROVALVE BRACKET	SOPORTE ELECTROVALVULA	SUPPORT ELECTROVANNE
6	128769	T FIG 130 1"-1"-3/4" GALV	FIGURA 130 DE 1-1-3/4" GALV.	T FIG 130 1"-1"-3/4" GALV
7	129361	FIG 2 1" GALV	FIGURA 2 DE 1" GALV.	FIG 2 1" GALV
8	129791	FIG 280 1" GALV	FIGURA 280 DE 1" GALV.	FIG 280 1" GALV
9	166793	WATER INLET NUT	TUERCA ENTRADA AGUA	ECROU ENTREE EAU
10	133744	THREADED BRASS FILTER 1"	FILTRO LATON FLT ROSC. 1" 0,5	FILTRE FILETE LAITON 1"
11	216382	WATER INLET SLEEVE	MANGUITO ENTRADA AGUA	MANCHON ENTREE EAU
12	244913	WATER INLET HOSE	TUBO ENTRADA AGUA	TUBE ENTREE EAU
13	244921	WATER INLET HOSE	TUBO ENTRADA AGUA	TUBE ENTREE EAU
14	246330	WATER INLET HOSE	TUBO ENTRADA AGUA	TUBE ENTREE EAU
15	149609	CLAMP 301526-5 D25-40	ABRAZ.MIKALOR 301526-5 D25-40	BRIDE 301526-5 D25-40
16	214320 &	WATER INLET HOSE	TUBO ENTRADA AGUA	TUBE ENTREE EAU
17	163584 &	WATER INLET HOSE	TUBO ENTRADA AGUA	TUBE ENTREE EAU
18	214395 &	WATER INLET HOSE	TUBO ENTRADA AGUA	TUBE ENTREE EAU
19	117465	WATER INLET HOSE	TUBO ENTRADA AGUA	TUBE ENTREE EAU
21	155150	CLAMP 301502-0 D12-20	ABRAZ.MIKALOR 301502-0 D12-20	BRIDE 301502-0 D12-20
22	122713	WATER INLET COVER	TAPA ENTRADA AGUA	COUVERCLE ENTREE EAU

Nº	REF.	DENOMINATION	DENOMINACION	DÉNOMINATION
23	146233	BICR.HEX SCREW DIN933-8 M6X15	TOR.EX.DIN933-8.8 BICR.M 6X 15	VIS HEX DIN933-8.8 BICR.M6X15
24	149526	BICR.WASHER B DIN125-ST 6,4	ARAN.B DIN125-ST BICR. 6,4	RONDELLE B DIN125-ST BICR.6,4
26	150227	BICR HEX NUT DIN934-8 M6	TUER.EX.DIN934-8 BICR.M 6	ECROU HEX DIN934-8 BICR.M6
27	149617	CONICAL END PIECE R-16 D25	TOPE CONICO REPRIMSA R-16 D25	ARRET CONIQUE R-16 D25
28	164194	WATER INLET HOSE RACCORDS 1" (EXCEPT FOR USA AND CANADA)	TUBO EPDM 1"X1500 C.RACORES (EXCEPTO PARA USA Y CANADA)	TUBE ENTREE EAU RACCORDS 1" (SAUF POUR USA ET CANADA)
29	216408	GASKET	JUNTA	JOINT
30	140525	CLAMP 2244-0	BRIDA UNEX 2244-0	BRIDE 2244-0
31	140533	CLAMP 2271-0	BRIDA UNEX 2271-0	BRIDE 2271-0
32	249516	WATER INLET SLEEVE (FOR USA AND CANADA ONLY)	MANGUITO ENTRADA AGUA-VAPOR (SOLO PARA USA Y CANADA)	MANCHON ENTREE EAU (SEULEMENT POUR USA ET CANADA)
		THIRD WATER INLET KITS	KITS TERCERA ENTRADA AGUA	KITS TROISIEME ENTREE EAU
797654		THIRD WATER INLET KIT 60HZ (FOR USA AND CANADA ONLY)	KIT TERCERA ENTRADA AGUA 60HZ (SOLO PARA USA Y CANADA)	KITS TROISIEME ENTREE EAU 60HZ (SEULEMENT POUR USA ET CANADA)
797563		THIRD WATER INLET KIT 60HZ (EXCEPT FOR USA AND CANADA)	KIT TERCERA ENTRADA AGUA 60HZ. (EXCEPTO PARA USA Y CANADA)	KIT TROISIEME ENTREE EAU 60HZ (SAUF POUR USA ET CANADA)
797555		THIRD WATER INLET KIT 50HZ	KIT TERCERA ENTRADA AGUA 50HZ.	KIT TROISIEME ENTREE EAU 50HZ
&	128215	1 METER HOSE EPDM D 9X17	1 METRO TUBO EPDM D 9X17	1 METRE TUBE EPDM D 9X17



Nº	REF.	DENOMINATION	DENOMINACION	DÉNOMINATION
		ELECTRIC HEATING KITS (WITHOUT SWITCH DISCONNECTOR)	KITS CALEFACCION ELÉCTRICA (SIN INTERRUPTOR SECCIONADOR)	KITS CHAUFFAGE ELECTRIQUE (SANS INTERRUPTEUR SECTIONNER)
	797571	KIT E.H.FOR 200-208-220V	KIT CAL.ELEC.200-208-220V.	KIT CH.POUR 200-208-220V
	797589	KIT E.H.FOR 240V	KIT CAL.ELEC.240V.	KIT CH.E.POUR 240V
	797597	KIT E.H.FOR 380V	KIT CAL.ELEC.380V.	KIT CH.E.POUR 380V
	797605	KIT E.H.FOR 415-440V	KIT CAL.ELEC.415-440V.	KIT CH.E.POUR 415-440V
		ELECTRIC HEATING KITS (WITH SWITCH DISCONNECTOR)	KITS CALEFACCION ELÉCTRICA (CON INTERRUPTOR SECCIONADOR)	KITS CHAUFFAGE ELECTRIQUE (AVEC INTERRUPTEUR SECTIONNER)
	797613	KIT E.H.FOR 200-208-220V	KIT CAL.ELEC.200-208-220V.	KIT CH.E.POUR 200-208-220V
	797621	KIT E.H.FOR 240V	KIT CAL.ELEC.240V	KIT CH.E.POUR 240V
	797639	KIT E.H.FOR 380V	KIT CAL.ELEC.380V.	KIT CH.E.POUR 380V
	797647	KIT E.H.FOR 415-440V	KIT CAL.ELEC.415-440V.	KIT CH.E.POUR 415-440V
1	302679	HEATER 220V 5500W (FOR 200,208,220 AND 380V)	CALEFACTOR 220V 5500W (PARA 200,208,220 Y 380V)	RESISTANCE 220V 5500W (POUR 200,208,220 ET 380V)
	302687	HEATER 240V 5500W (FOR 240,415 AND 440V)	CALEFACTOR 240V 5500W (PARA 240,415 Y 440V)	RESISTANCE 240V 5500W (POUR 240,415 ET 440V)
2	300251	CONTACTOR 3TF34 11-OAN2	CONTACTOR 3TF34 11-OAN2	CONTACTEUR 3TF34 11-OAN2
	302810	COIL 3TY7 443-OAN2	BOBINA 3TY7 443-OAN2	BOBINE 3TY7 443-OAN2
3	163360	TERMINAL BC 25/35 630655	BORNA CIAMA BC 25/35 630655	BORNE BC 25/35 630655
4	162669	END COVER FC 16/25	TAPA FIN.CIAMA FC 16/25 635655	COUVERCLE FINAL FC 16/25
5	139394	PROTECTOR 1/480704-0	PROTECTOR 1/480704-0	PROTECTEUR 1/480704-0
6	140525	CLAMP 2244-0	BRIDA UNEX 2244-0	BRIDE 2244-0
7	300251	CONTACTOR 3TF34 11-OAN2 (FOR 200,208,220 AND 240V)	CONTACTOR 3TF34 11-OAN2 (PARA 200,208,220 Y 240V)	CONTACTEUR 3TF34 11-OAN2 (POUR 200,208,220 ET 240V)
	302810	COIL 3TY7 443-OAN2	BOBINA 3TY7 443-OAN2	BOBINE 3TY7 443-OAN2
10	300392	PAQUET.SWITCH 3LD1 718-0TB53 (WITH SWITCH DISCONNECTOR)	INTERRUP.PAQUET.3LD1 718-0TB53 (CON INTERRUPTOR SECCIONADOR)	INTERRUP.PAQUET 3LD1 718-0TB53 (AVEC INTERRUPTEUR SECTIONNER)



Nº	REF.	DENOMINATION	DENOMINACION	DÉNOMINATION
		STEAM HEATING KITS	KITS CALEFACCION VAPOR	KITS CHAUFFAGE VAPEUR
	720029	STEAM HEATING KIT 60HZ (FOR USA AND CANADA ONLY)	COMP.VAPOR SM/PM 60 GIRBAU INC (SOLO PARA USA Y CANADA)	KIT CHAUFFAGE VAPEUR 60HZ (SEULEMENT POUR USA ET CANADA)
	717611	STEAM HEATING KIT 60HZ (EXCEPT FOR USA AND CANADA)	KIT CALEFACCION VAPOR 60HZ (EXCEPTO PARA USA Y CANADA)	KIT CHAUFFAGE VAPEUR 60HZ (SAUF POUR USA ET CANADA)
	717603	STEAM HEATING KIT 50HZ	KIT CALEFACCION VAPOR 50HZ	KIT CHAUFFAGE VAPEUR 50HZ
1	214916	STEAM DISTRIBUTOR	DISTRIBUIDOR VAPOR	DISTRIBUTEUR VAPEUR
2	109777	COPPER GASKET 1/2"	12504 JUNTA COBRE 1/2"	JOINT CUIVRE 1,2"
3	217745	STEAM INLET RACCORD	RACOR ENTRADA VAPOR	RACCORD ENTREE VAPEUR
4	175000	STEAM INLET JOINTING	UNION ENTRADA VAPOR	UNION ENTREE VAPEUR
5	175018	STEAM INLET JOINTING	UNION ENTRADA VAPOR	UNION ENTREE VAPEUR
6	176479	COUPLING SCREW 3/4"	10904 TORNILLO UNION 3/4"	VIS UNION 3/4"
7	129502	ELBOW FIG. 92 3/4" GALV.	FIGURA 92 DE 3/4" GALV.	COUDE FIG. 92 3/4" GALV.
8	176461	FIG. 221 3/4" GALV.	FIGURA 221 DE 3/4" GALV.	FIG. 221 3/4" GALV.
9	130005	INNER SLEEVE FIG.531 3/4" GALV	FIGURA 531 DE 3/4" GALV.	MANCHON INTERIEUR FIG.531 3/4"
10	100511	ELECTROV.032U3053 3/4" 220/60 (FOR 60HZ)	ELECT.032U3053/90 3/4" 220/60 (PARA 60 HZ)	ELECTROV.032U3053 3/4" 220/60 (POUR 60 HZ)
	159814	COIL 32K7776 220/60 (FOR 60HZ)	BOBINA DANFOSS 32K7776 220/60 (PARA 60 HZ)	BOBINE 32K7776 220/60 (POUR 60 HZ)
	159822	SPARE KIT EVJHS-15-20	KIT REPUES.EVJHS-15-20 32U3129	KIT RECHANGE EVJHS-15-20
	164129	ELECTROV.032U3053 3/4" 220/50 (FOR 50HZ)	ELECT.032U3053/84 3/4" 220/50 (PARA 50 HZ)	ELECTROV.032U3053.3/4" 220/50 (POUR 50 HZ)
	159806	COIL 32K7771 220/50 (FOR 50HZ)	BOBINA DANFOSS 32K7771 220/50 (PARA 50 HZ)	BOBINE 32K7771 220/50 (POUR 50 HZ)
	159822	SPARE KIT EVJHS-15-20	KIT REPUES.EVJHS-15-20 32U3129	KIT RECHANGE EVJHS-15-20
11	244632	STEAM INLET	ENTRADA VAPOR	ENTREE VAPEUR
12	133736	SCREWED FILTER 3/4" 0,3 PN16	FILTRO COLAD. ROSC.3/4"0'3PN16	FILTRE FILETE 3/4" 0,3 PN16
13	146233	BICR.HEX SCREW DIN933-8 M6X15	TOR.EX.DIN933-8.8 BICR.M 6X 15	VIS HEX DIN933-8.8 BICR.M6X15
14	149526	BICR.WASHER B DIN125-ST 6,4	ARAN.B DIN125-ST BICR. 6,4	RONDELLE B DIN125-ST BICR.6,4
15	150227	BICR HEX NUT DIN934-8 M6	TUER.EX.DIN934-8 BICR.M 6	ECROU HEX DIN934-8 BICR.M6
16	140319	REDUCER PG 13'5-9	REDUCTOR PG 13'5-9	REDUCTEUR PG 13'5-9
17	140152	RACCORD PG- 9 REF.330904	RACOR PG- 9 REF.330904	RACCORD PG- 9 REF 330904

Nº	REF.	DENOMINATION	DENOMINACION	DÉNOMINATION
18	139394	PROTECTOR 1/480704-0	PROTECTOR 1/480704-0	PROTECTEUR 1/480704-0
19	140228	COUNTERNUT PG-9	CONTRATUERCA PG- 9	CONTREECROU PG-9
20	140707	HOSE HELIPLAST NO 9 REF.77009 (1 METER)	TUBO HELIPLAST NO. 9 REF.77009 (1 METRO)	TUBE HELIPLAST NO 9 REF.77009 (1 METRE)
21	140525	CLAMP 2244-0	BRIDA UNEX 2244-0	BRIDE 2244-0
22	249508	STEAM INLET SLEEVE (FOR USA AND CANADA ONLY)	MANGUITO ENTRADA VAPOR (SOLO PARA USA Y CANADA)	MANCHON ENTREE VAPEUR (SEULEMENT POUR USA ET CANADA)