

PARTS LIST

for



COMMERCIAL AUTOMATIC WASHER

MODEL
GCAM2701JQ0



FOR CUSTOMER SATISFACTION ALWAYS USE
FACTORY SPECIFICATION PARTS



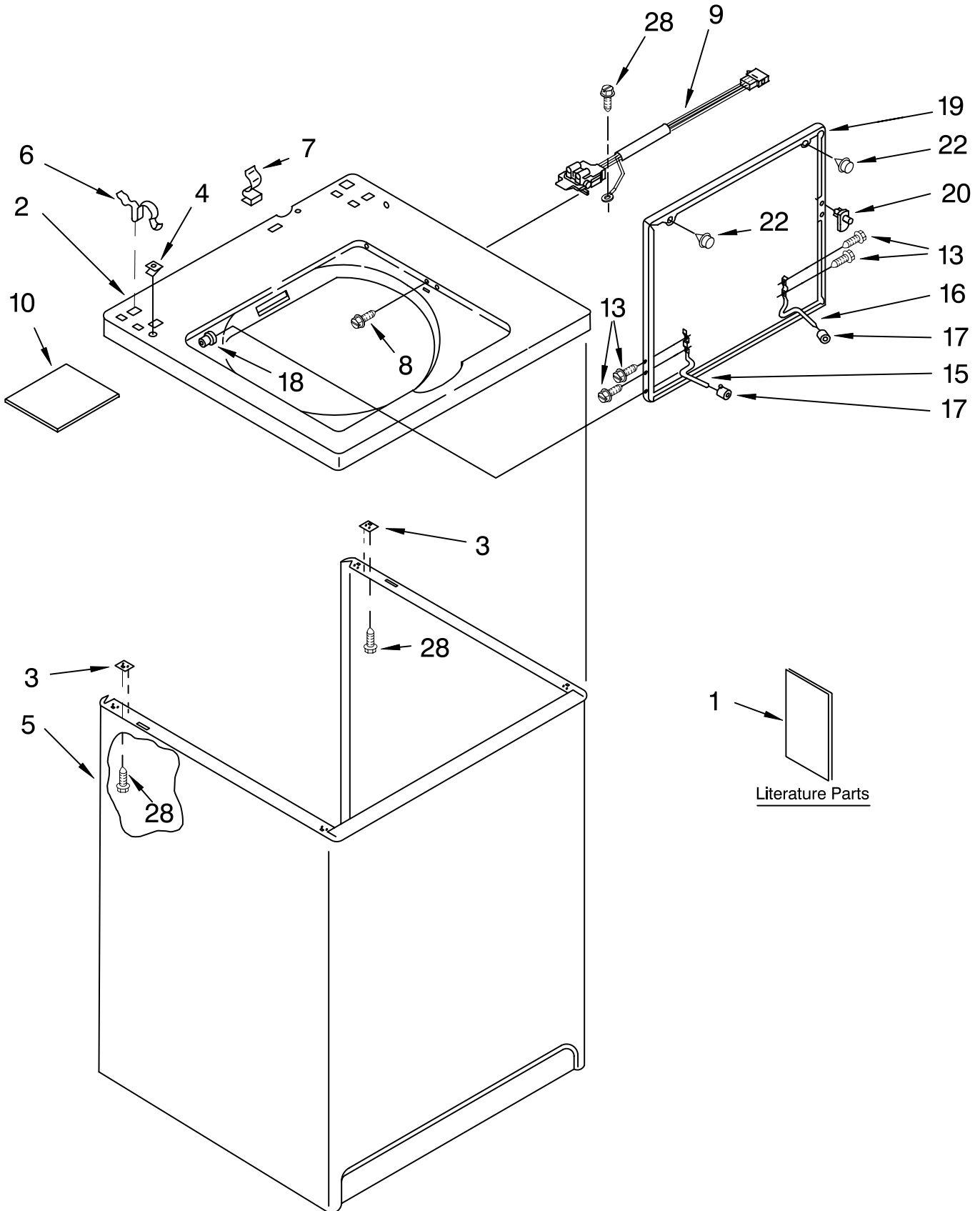
Whirlpool CORPORATION

Benton Harbor, Michigan.

© 2002 WHIRLPOOL CORPORATION

TOP AND CABINET PARTS

For Model: GCAM2701JQ0
(White)



FOR ORDERING INFORMATION REFER TO PARTS PRICE LIST

TOP AND CABINET PARTS

For Model: GCAM2701JQ0

(White)

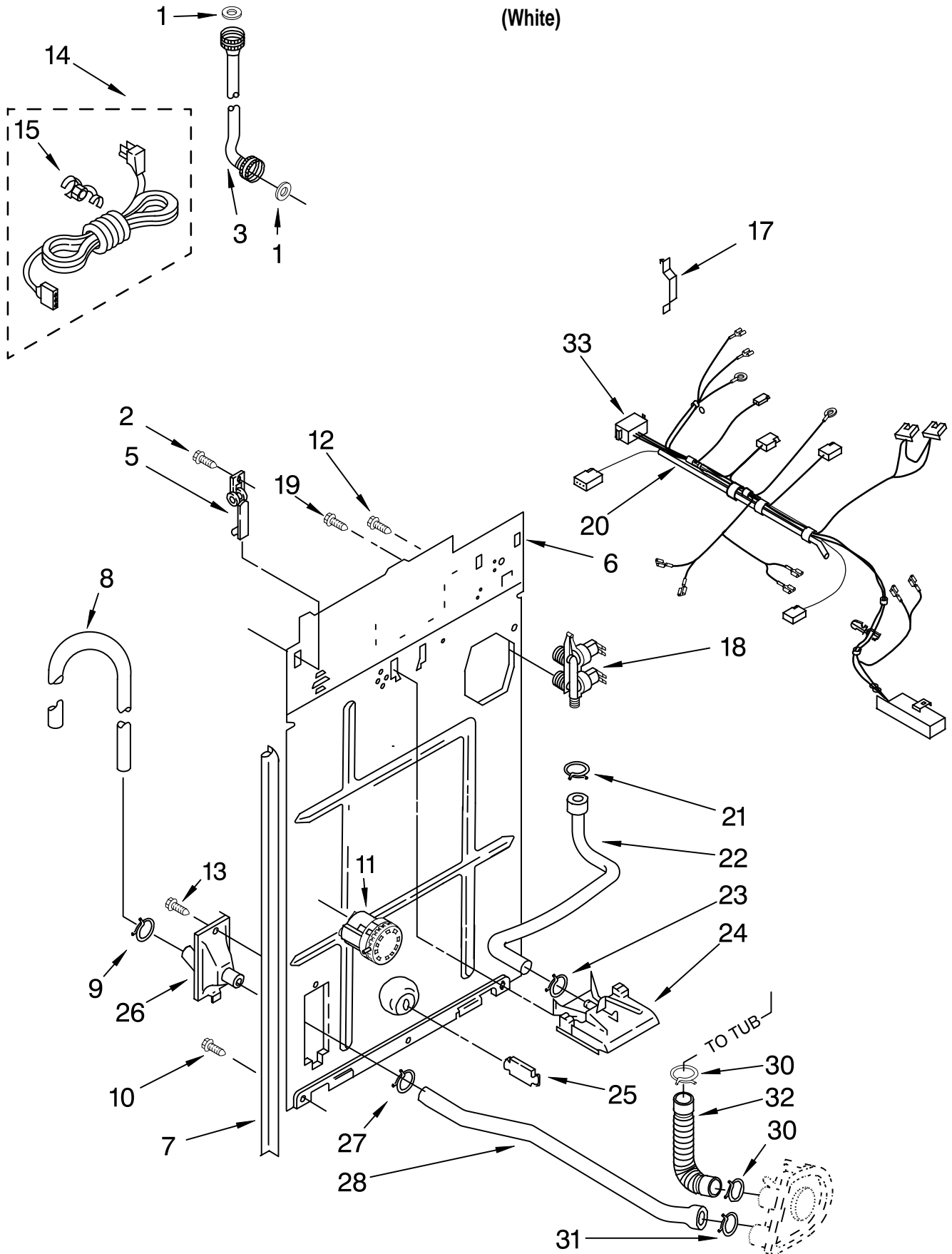
Illus. No.	Part No.	DESCRIPTION
1		Literature Parts
	LIT8316243	Installation Instructions
	LIT8316242	Wiring Diagram
	LIT8315955	Repair Parts List
2	388486	Top
3	62750	Spacer, Cabinet To Top (4)
4	358473	Nut, Push-In (2)
5	63424	Cabinet
6	62780	Clip, Top & Cabinet & Rear Panel (2)
7	90016	Clip
8	3356311	Screw & Washer, Lid Switch (2)
9	3352629	Switch, Lid
10	3953152	Shield, Pressure Switch
13	3351355	Screw, Lid Hinge Mounting (4)
15	54584	Hinge, Lid (L.H.)
16	54583	Hinge, Lid (R.H.)
17	19119	Bumper, Lid Hinge
18	21258	Bearing, Lid Hinge (2)
19	8316256	Lid
20	358684	Strike, Lid Switch
22	9724509	Bumper, Lid (2)
28	3390631	Screw, 10-16 x 3/8 (5)

FOR ORDERING INFORMATION REFER TO PARTS PRICE LIST

REAR PANEL PARTS

For Model: GCAM2701JQ0

(White)



FOR ORDERING INFORMATION REFER TO PARTS PRICE LIST

REAR PANEL PARTS

For Model: GCAM2701JQ0

(White)

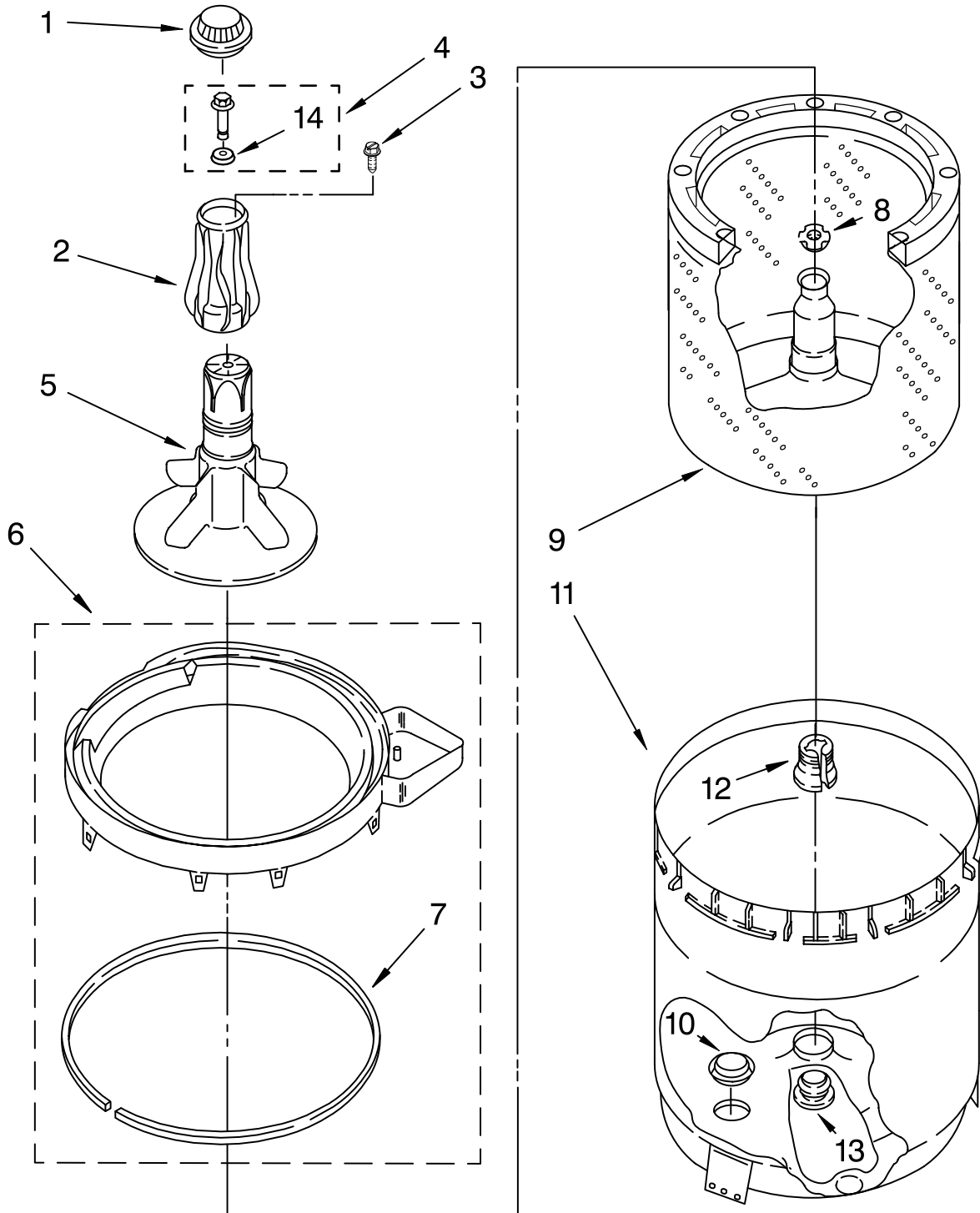
Illus. No.	Part No.	DESCRIPTION	Illus. No.	Part No.	DESCRIPTION	Illus. No.	Part No.	DESCRIPTION
1	16123	Washer, Water Inlet Hose (4) (1-1/16 x 5/8)	9	356138	Clamp, Hose	21	370451	Clamp, Hose
2	3390647	Screw, 8-18 x 1/2	10	62863	Screw, 10-16 x 3/8	22	3357328	Hose, Vacuum Break
3		Hose, Water Inlet (2)	11	3952720	Switch, Water Level	23	371503	Clamp, Hose
	3949380	Blue Coupler	12	3351614	Screw, 10-24 x 3/8	24	387606	Break, Vacuum
	3949381	Red Coupler	13	90864	Screw, 10-24 x 1/2	25	63290	Support, Rear Panel
5	387402	Hinge, Console (2)	14	3359548	Cord, Power	26	3361809	Connector, Drain Hose
6	8316250	Panel, Rear	15	63848	Strain Relief, Power Cord	27	3366912	Clamp, Hose
7	62747	Pad, Rear Panel	17	8054658	Clip, Harness	28	3359818	Hose, Pump To Drain Connector
8	96743	Hose, Drain (4 ft.)	18	3952164	Valve, Water Mixing	30	3363366	Clamp, Hose
	661577	Hose, Corrugated (9 ft.) (Not Included)	19	9740848	Screw, 8-18 x 1/2	31	660628	Clamp, Hose
	3357090	Extension, Drain Hose (21 Inches.) (Not Included.)	20	3363655	Hose, Pressure Switch	32	3951449	Hose, Pump To Tub
						33	3954755	Harness, Wiring (Includes # 20) (For Detail See Pages 12 & 13)

FOR ORDERING INFORMATION REFER TO PARTS PRICE LIST

AGITATOR, BASKET AND TUB PARTS

For Model: GCAM2701JQ0

(White)



FOR ORDERING INFORMATION REFER TO PARTS PRICE LIST

AGITATOR, BASKET AND TUB PARTS

For Model: GCAM2701JQ0

(White)

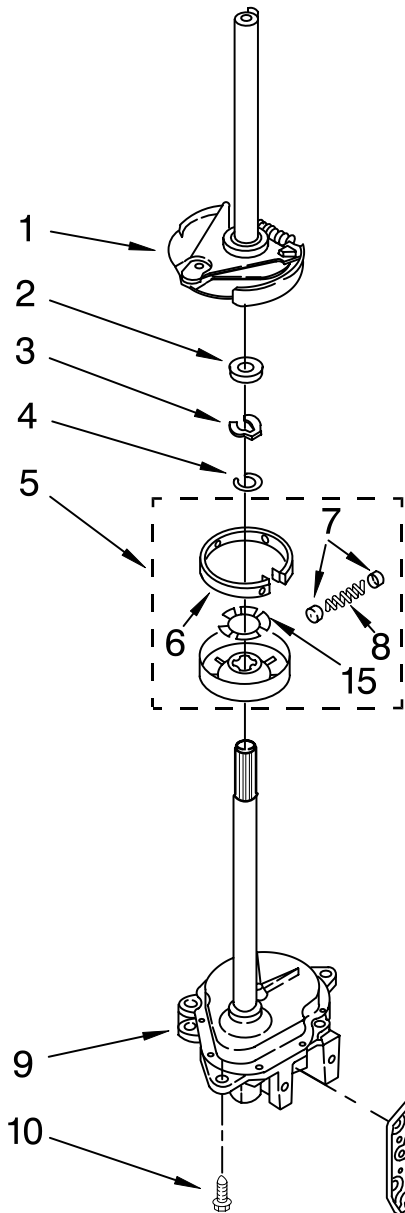
Illus. No.	Part No.	DESCRIPTION
1	3355758	Cap, Agitator
2	64210	Extension, Agitator
3	63027	Screw
4	358237	Screw & Washer (5/16-24 X 1)
5	64214	Agitator
6	63851	Tub Ring
7	3359585	Gasket, Tub Ring
8	21366	Nut, Spanner
9	3951989	Basket & Balance Ring
10	3352284	Plug, Snap-In (4)
11	63849	Tub
12	389140	Block, Drive
13	383727	Gasket, Centerpost
14	3949550	Washer

FOR ORDERING INFORMATION REFER TO PARTS PRICE LIST

BRAKE, CLUTCH, GEARCASE, MOTOR AND PUMP PARTS

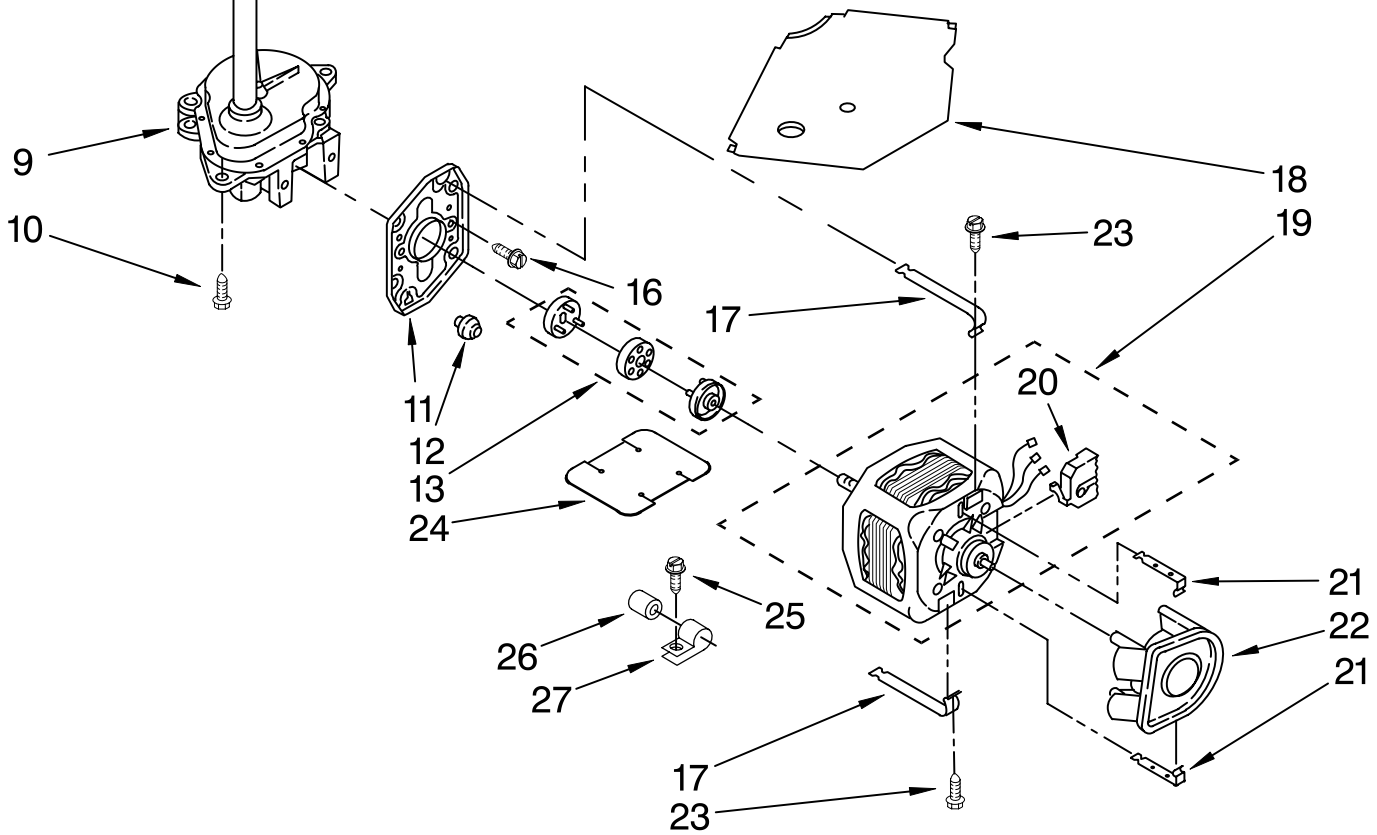
For Model: GCAM2701JQ0

(White)



Illus. No.	Part No.	DESCRIPTION
1	388952	Brake & Drive Tube (Complete) (Refer to Page 14 For Further Breakdown)
2	63292	Washer, Spin Tube Thrust
3	62697	Ring, Spin Tube Support
4	63283	Ring, Retainer
5	3951311	Clutch (Complete)
6	3951308	Band & Lining, Clutch (Includes Illus. 7 & 8)
7	62646	Cap, Clutch Spring (2)
8	3946792	Spring, Clutch
9	3360630	Gearcase (Complete) (Refer To Page 11 For Further Breakdown)
10	3357334	Screw, Gearcase To Base (3)

Illus. No.	Part No.	DESCRIPTION
11	62611	Plate, Motor Mount To Gearcase
12	62691	Grommet, Motor (4)
13	3364003	Coupling, Motor And Isolation
15	3355454	Clip, Anti-Rattle
16	3400516	Screw
17	3349637	Retainer, Motor (2)
18	3362089	Shield, Tub To Motor
19	661599	Motor, Main Drive
20	62850	Switch, Main Drive Motor
21	62700	Retainer, Pump (2)
22	3363394	Pump (Complete)
23	3387485	Screw, 10-16 x 5/8
24	3946532	Shield, Motor
25	62863	Screw, 10-16 x 3/8
26	661606	Capacitor
27	357030	Clamp, Capacitor

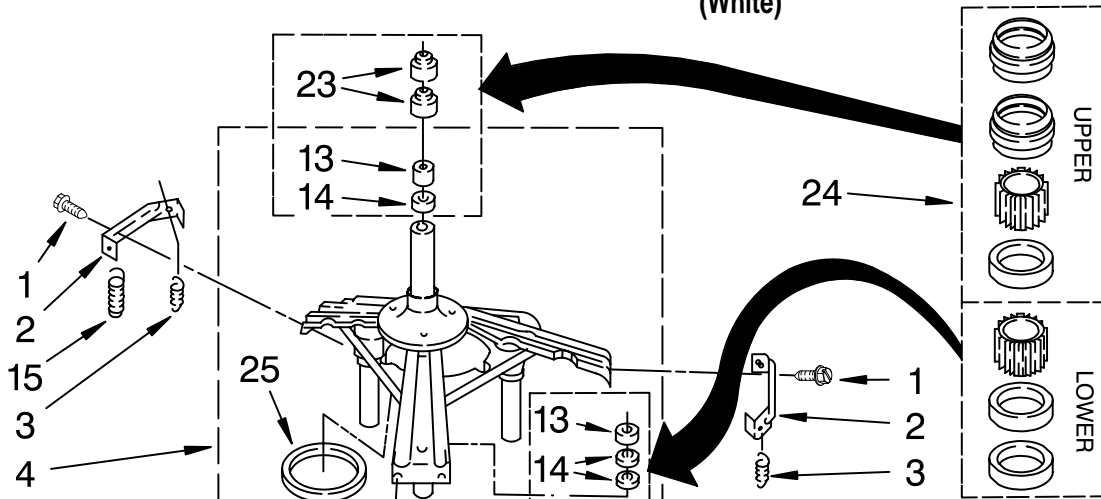


FOR ORDERING INFORMATION REFER TO PARTS PRICE LIST

MACHINE BASE PARTS

For Model: GCAM2701JQ0

(White)



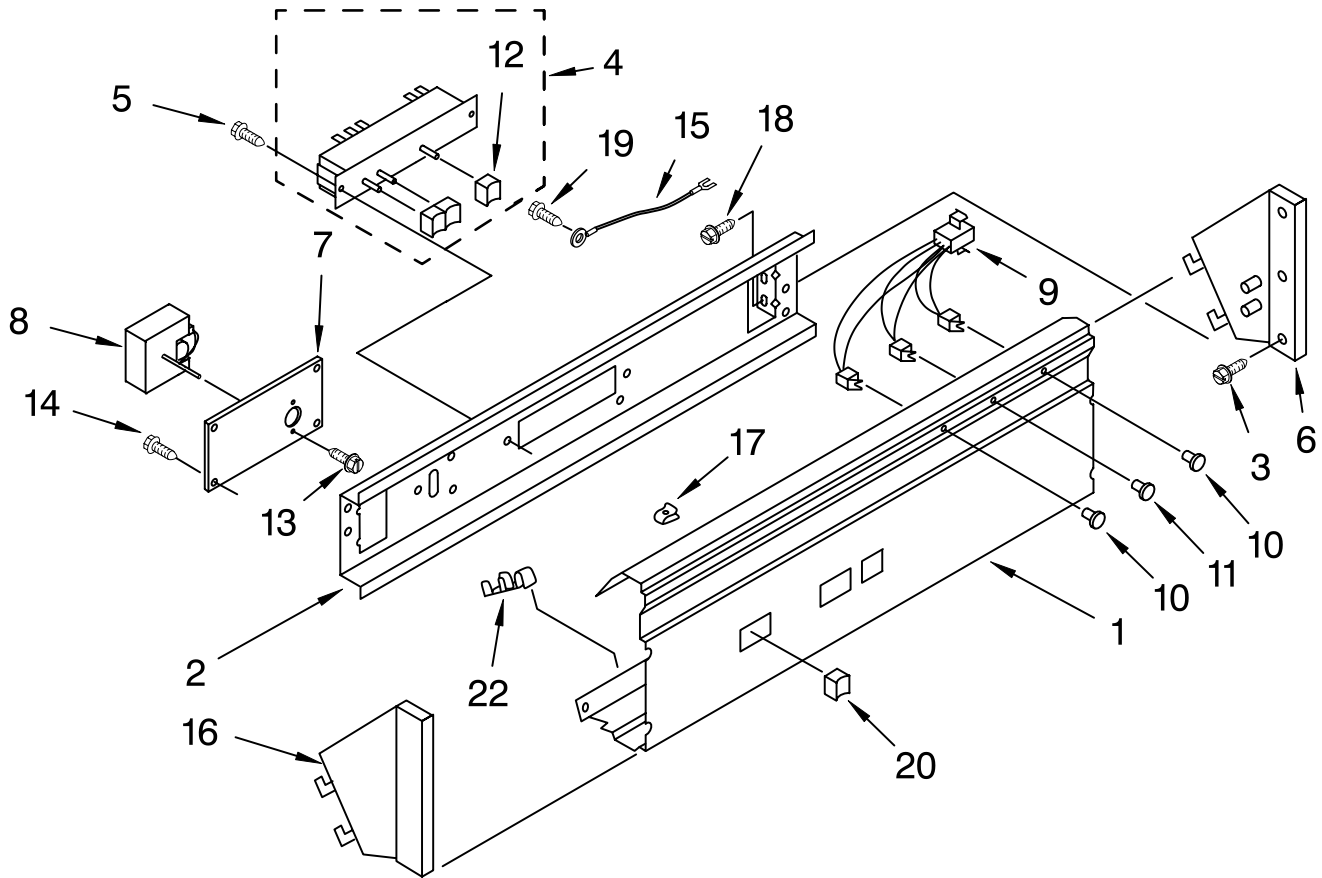
Illus. No.	Part No.	DESCRIPTION
1	3387485	Screw, Bracket Mounting (10-16 x 5/8)
2	64067	Bracket, Spring Outer (2)
3	63907	Spring, Suspension (3)
4	3362087	Support & Brake, Tub
5	64065	Bracket, Spring Outer (L.F.)
6	63466	Link, Leveling Mechanism (2)
7	62597	Spring, Leveling Mechanism
8	62837	Pin, Knurled
9	62596	Foot, Rear (2)
12	62863	Screw, 10-16 x 3/8 (2)
13	3347047	Bearing, Centerpost (2)
14	357409	Seal, Centerpost (3)
15	388492	Spring, Counterweight
16	62568	Pad, Plate
17	3946509	Plate, Suspension (Includes Illus. 16)
18	3363660	Pad, Base
19	3946512	Base Assembly (Includes Illus. 6, 7, 8, 9, 18 & 26)
21	3359452	Nut, Lock (3/8-16) (2)
22	389102	Foot, Front (2)
23	356934	Seal, Centerpost (2)
24	285203	Centerpost Bearing Kit (Includes Illus. 13, 14 & 23)
25	63134	Ring, Sound Deadening
26	63806	Retainer, Suspension Spring

FOR ORDERING INFORMATION REFER TO PARTS PRICE LIST

CONTROL PANEL PARTS

For Model: GCAM2701JQ0

(White)



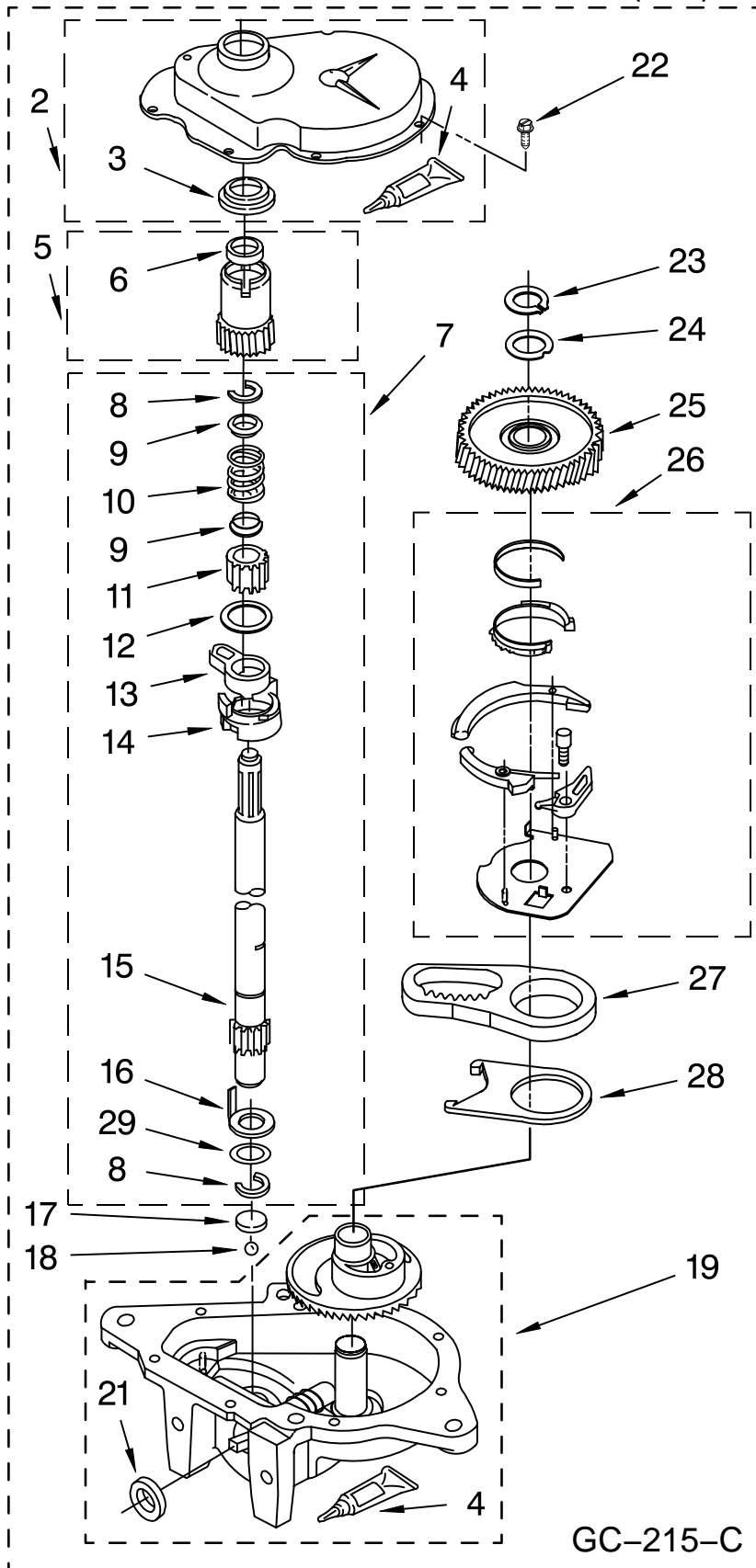
Illus. No.	Part No.	DESCRIPTION
1	8316233	Panel, Console
2	3348576	Bracket, Control
3	97787	Screw, 11-16 x 3/4
4	8316440	Switch, Cycle Selector (Includes Illus. No. 12)
5	3390646	Screw
6	3949737	End Cap (R.H.)
7	3348573	Bracket, Timer
8	3946928	Timer
9	3352457	Lights, Indicator
10	3348109	Lens, Amber (2)
11	3348110	Lens, Yellow (1)
12	8316433	Pushbutton (3)
13	3400064	Screw (2)
14	343641	Screw, 10-16 X 1/2
15	3398893	Wire, Ground
16	3949734	End Cap (L.H.)
17	689559	Nut, Push-In (2)
18	388326	Screw, End Cap To Bracket (4)
19	3400073	Screw, Ground
20	8316442	Pushbutton, Timer
22	357572	Clip, Grounding

FOR ORDERING INFORMATION REFER TO PARTS PRICE LIST

GEARCASE PARTS

For Model: GCAM2701JQ0

(White)



Illus. No.	Part No.	DESCRIPTION
1	3360630	Gearcase (Complete)
2	285202	Cover, Gearcase
3	3349985	Seal, Gearcase Cover
4	285195	Sealer, Gasket (.20 Fl. Oz.) (6 ml)
5	63320	Pinion, Spin (Includes Illus. 25)
6	356427	Seal, Spin Pinion
7	389387	Shaft, Agitator (Complete)
8	90369	Ring, Retaining (2)
9	62677	Retainer, Spring
10	62676	Spring, Agitate
11	63273	Gear, Agitate (Includes 15 and 29)
12	62619	Washer, Agitate Gear
13	62580	Cam Follower (Includes 14)
14	62581	Cam, Agitate (Includes 13)
15	285509	Shaft, Agitator (Includes 11 and 29)
16	62618	Washer, Cam Thrust
17	16018	Bearing, Thrust
18	85529	Ball, Bearing
19	389230	Bottom and Pinion, Gearcase
21	285352	Seal, Thrust Plug
22	3351614	Screw, Gearcase Cover, Mounting (8) (10-24 x 3/8)
23	3362552	Ring, Retaining
24	285735	Washer Kit, Thrust
25	62570	Gear, Spin
26	388253	Neutral Assembly
27	3349296	Rack, Connecting
28	62621	Actuator, Shift
29	388815	Washer, Intermediate

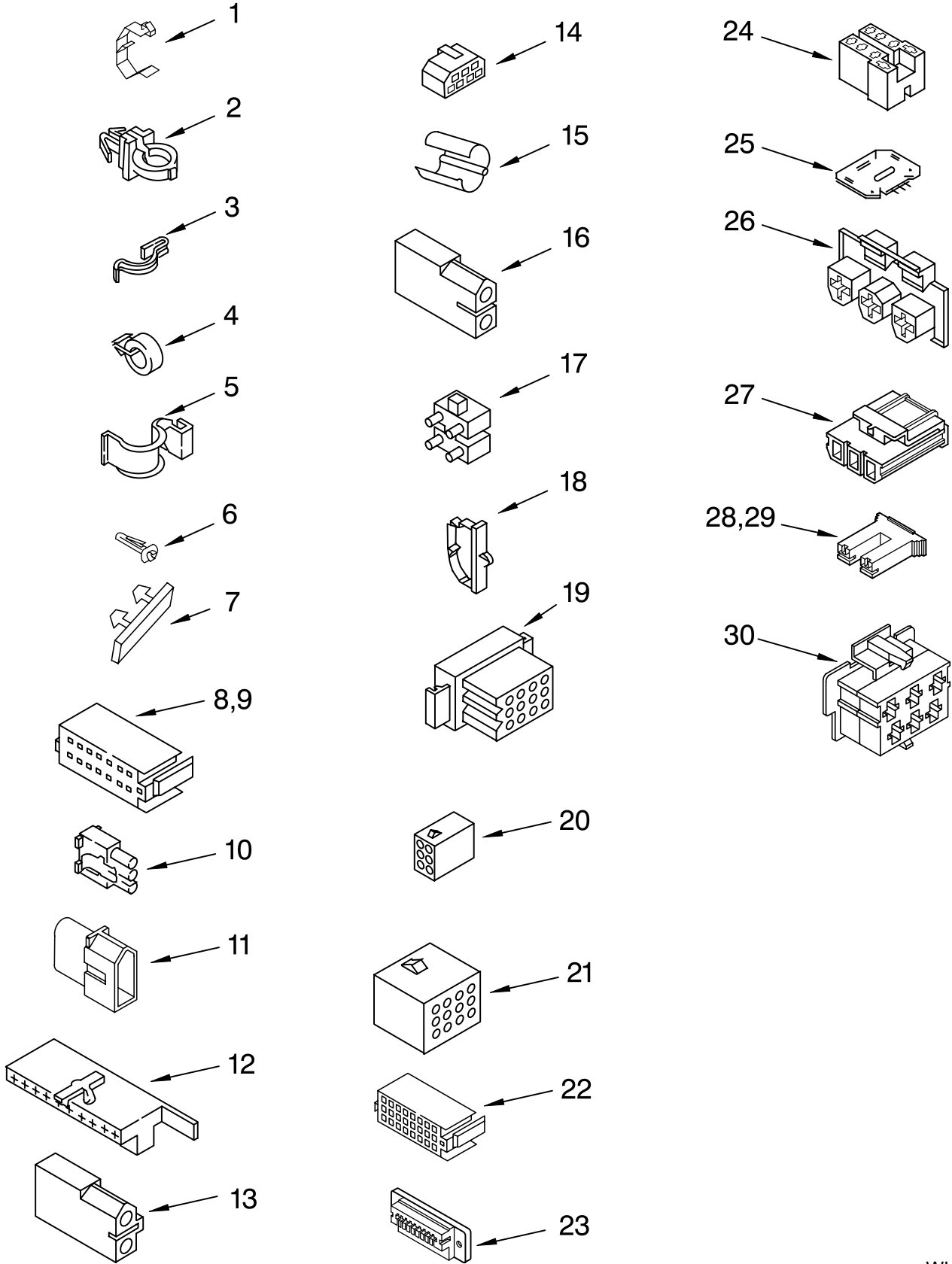
GC-215-C

FOR ORDERING INFORMATION REFER TO PARTS PRICE LIST

WIRING HARNESS PARTS

For Model: GCAM2701JQ0

(White)



WH2G

FOR ORDERING INFORMATION REFER TO PARTS PRICE LIST

WIRING HARNESS PARTS

For Model: GCAM2701JQ0

(White)

Illus. No.	Part No.	DESCRIPTION	Illus. No.	Part No.	DESCRIPTION	Illus. No.	Part No.	DESCRIPTION
1	3349557	Clip, Harness	13	3348075	Block, Disconnect (Motor 3 Speed)	23	3349494	Connector, Etc
2	388498	Clip, Harness			(Use Term. 94613 Or 94614.)	24	60687	Connector, Relay (Use Term.308569)
3	3347812	Clip, Harness	14	3347243	Block, Disconnect (Use Term. 352088)	25	3407125	E.T.C. Control
4	3352501	Clip, Harness				26	3948617	Connector (T.P.A.) (3-Circuit) (Lid Switch)
5	90016	Clip, Harness	15	63523	Protector			(Use Term. 3948619 OR 3948620.)
6	3390496	Clip, Harness	16	717252	Connector (2-Way) (Use Term.94614)	27	3360056	Connector (T.P.A.) (3-Circuit) (Pressure Switch)
7	389379	Retainer, (Suds Models)	17	387566	Plug, Terminal (4-Way) (Power Cord) (Use M3 Screws)			(Use Term.3948619 OR 3948620.)
8	352090	Timer, Block Disconnect (White)	18	3352944	Clip, Harness	28	3354925	Block, Connector (Cold Valve)
9	352089	Timer, Block Disconnect (Black)	19	3390423	Block, Disconnect (12-Way) (Timer) (Use Term. 94613)	29	3354926	Block, Connector (Hot Valve) (Use Term.693217)
10	62889	Receptacle, Terminal (3-Way) (Lid Switch) (Use Term.94613) Or 94614.)	20	3347730	Receptacle (6-Way) (Use Term. 94613)	30	3948615	Connector (T.P.A.) (6-Circuit) (Temp. Switch) (Use Term.3948619 OR 3948620.)
11	353424	Plug, Terminal (3-Way) (Power Cord) (Use Term.94613)	21	388818	Plug, Terminal (12-Way) (Use Term. 94613 Or 94614.)			
12	62505	Block, Disconnect (Motor 2 Speed) (Use Term.352088)	22	3369366	Timer, Block Disconnect (Black) (Amp) (Use Term.3369365)			

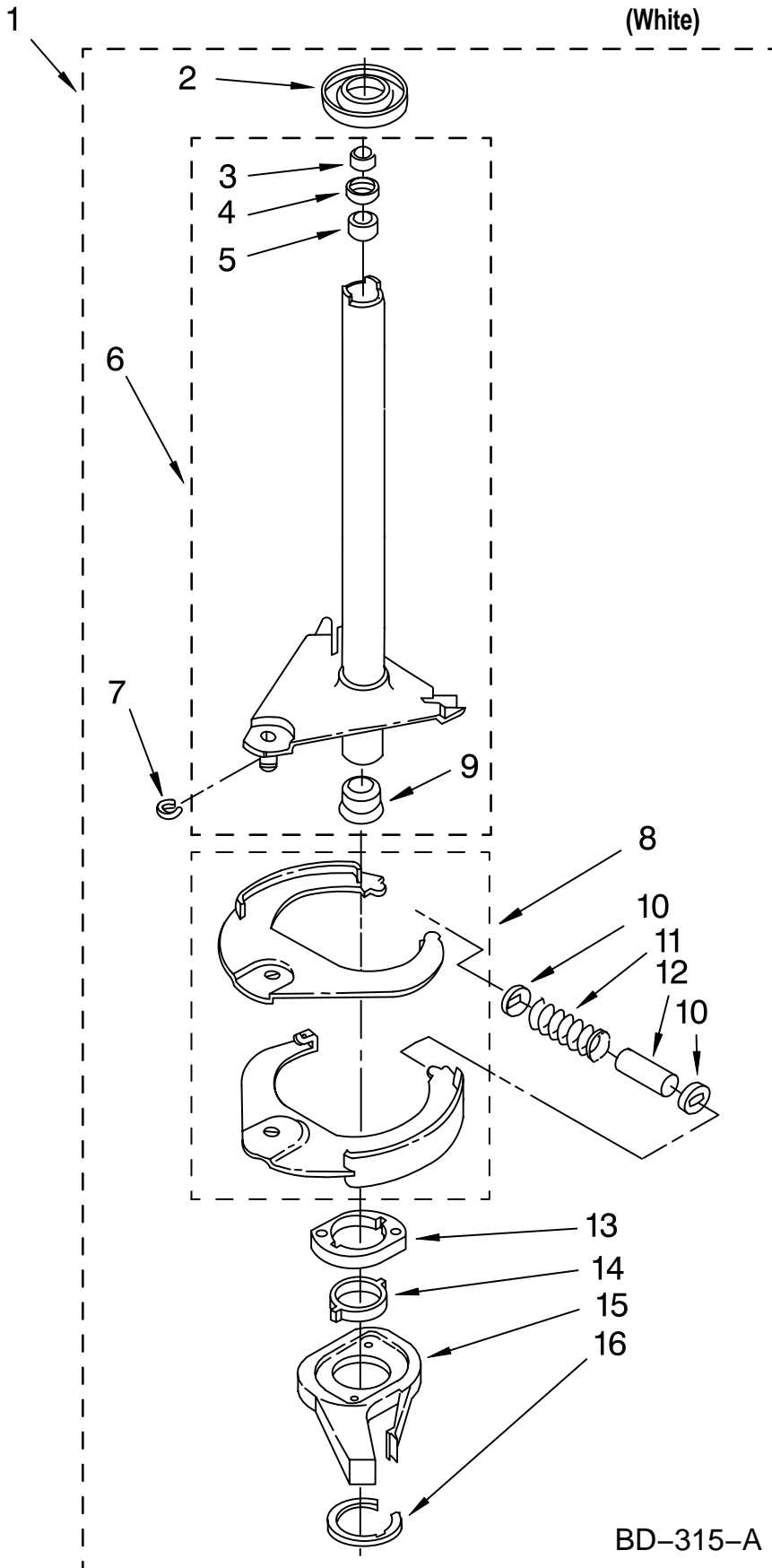
**FOR COMPLETE WIRING HARNESS REFER TO
CONTROL AND REAR PANEL PARTS PAGE**

WH2G

FOR ORDERING INFORMATION REFER TO PARTS PRICE LIST

BRAKE AND DRIVE TUBE PARTS

For Model: GCAM2701JQ0
(White)



Illus. No.	Part No.	DESCRIPTION
1	388952	Brake And Drive Tube (Complete)
2	62658	Ring, Thrust
3	91939	Seal, Oil
4	356427	Seal, Drive Tube
5	356937	Spacer, Drive Tube
6	64027	Tube, Basket Drive (Includes Illus. 3, 4, 5 & 9)
7	64035	Ring, Retaining
8	64232	Shoe, Brake
9	62703	"T" Bearing, Spin Tube
10	62648	Cap, Brake Spring (2)
11	387806	Spring, Brake
12	62909	Sleeve, Brake Spring
13	63023	Cam, Brake Release
14	63022	Sleeve, Cam
15	64194	Driver, Brake Cam
16	90368	Ring, Retaining

FOLLOWING PARTS NOT ILLUSTRATED

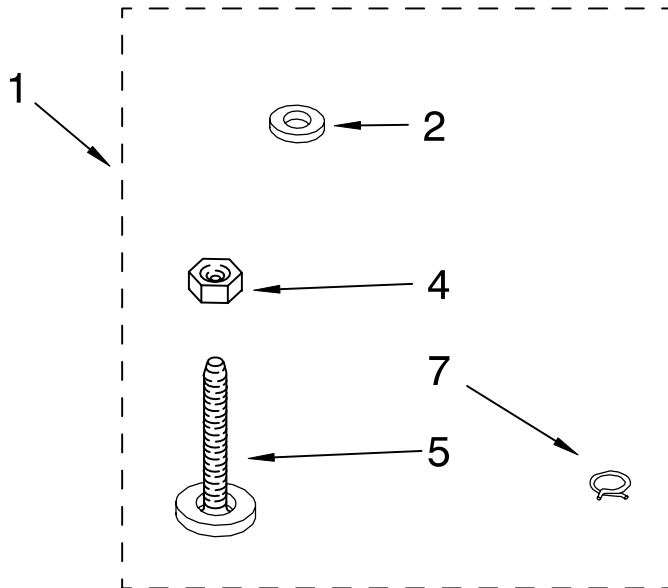
285208 Lubricant
(Use Only In Brake Shoe Assembly On Roller & Pin)

BD-315-A

FOR ORDERING INFORMATION REFER TO PARTS PRICE LIST

MISCELLANEOUS PARTS

For Model: GCAM2701JQ0
(White)



Illus. No.	Part No.	DESCRIPTION
1	3954579	Miscellaneous Parts Bag
2	16123	Washer, Inlet Hose (1-1/16 x 5/8) (4)
4	3359452	Nut, Lock (2) (3/8-16)
5	389102	Foot, Front (2)
7	3366912	Clamp, Hose

OPTIONAL PARTS (NOT INCLUDED)

Illus. No.	Part No.	DESCRIPTION
------------	----------	-------------

PAINT, TOUCH-UP (1/2oz.)

72017 White
72107 Almond

PAINT, PRESSURIZED SPRAY (12 oz.)

350938 Primer, Gray
350930 White
350956 Almond

PAINT, BULK (1 qt.)

799344 White (Uncut)
978883 Almond (Uncut)

Illus. No.	Part No.	DESCRIPTION
------------	----------	-------------

OIL

350572 Oil, Gearcase (16 Oz.)

LUBRICANT

285208 Lubricant (Use Only in Brake Shoe Assembly On Roller and Pin)

SEALER

285195 Sealer, Gasket (.20 Fl. Oz.) (6 ml)

FOR ORDERING INFORMATION REFER TO PARTS PRICE LIST