

PARTS LIST

for



COMMERCIAL AUTOMATIC WASHER

MODELS

CAP2762MQ0



FOR CUSTOMER SATISFACTION ALWAYS USE
FACTORY SPECIFICATION PARTS



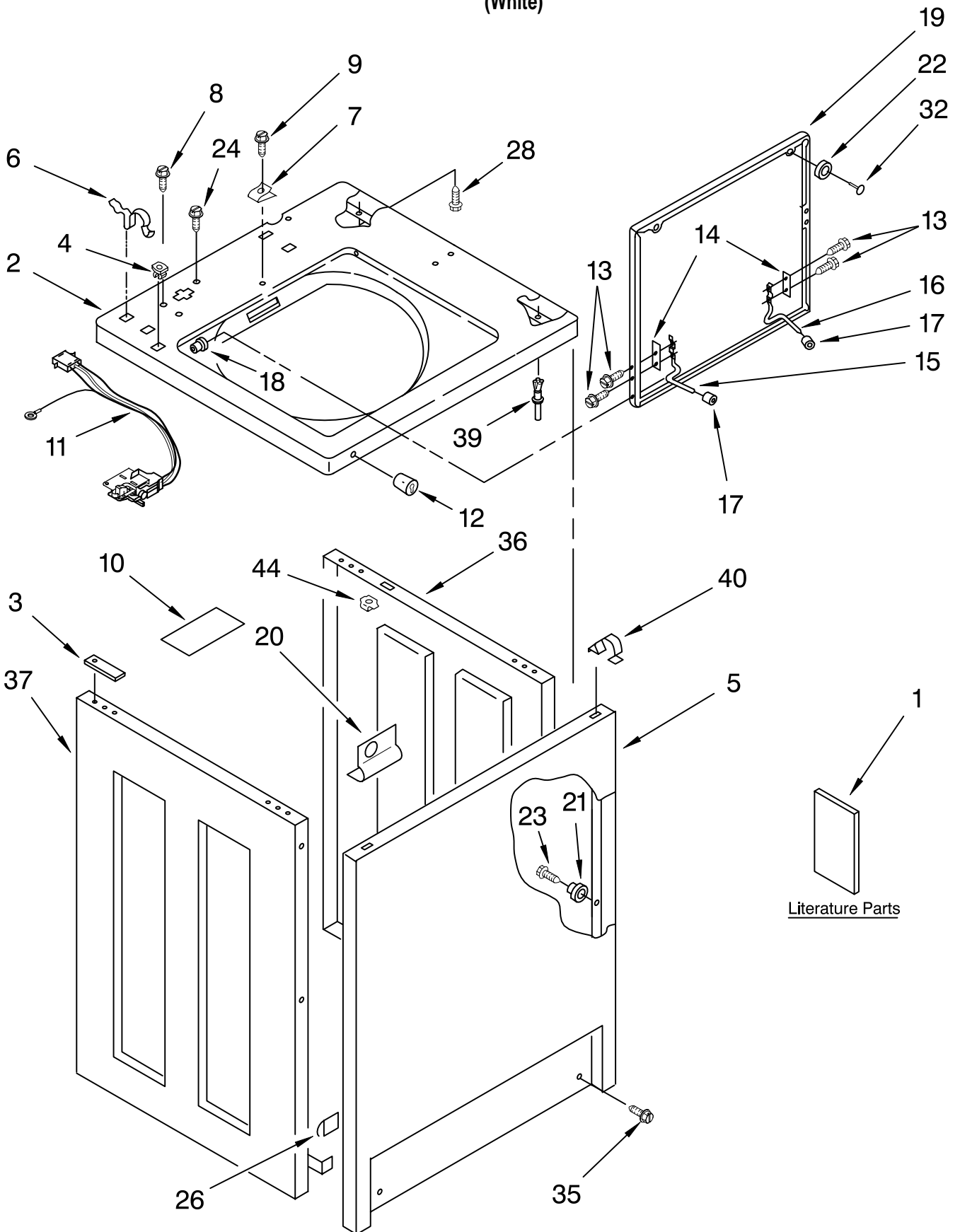
Whirlpool CORPORATION

Benton Harbor, Michigan.

TOP AND CABINET PARTS

For Model: CAP2762MQ0

(White)



FOR ORDERING INFORMATION REFER TO PARTS PRICE LIST

TOP AND CABINET PARTS

For Model: CAP2762MQ0

(White)

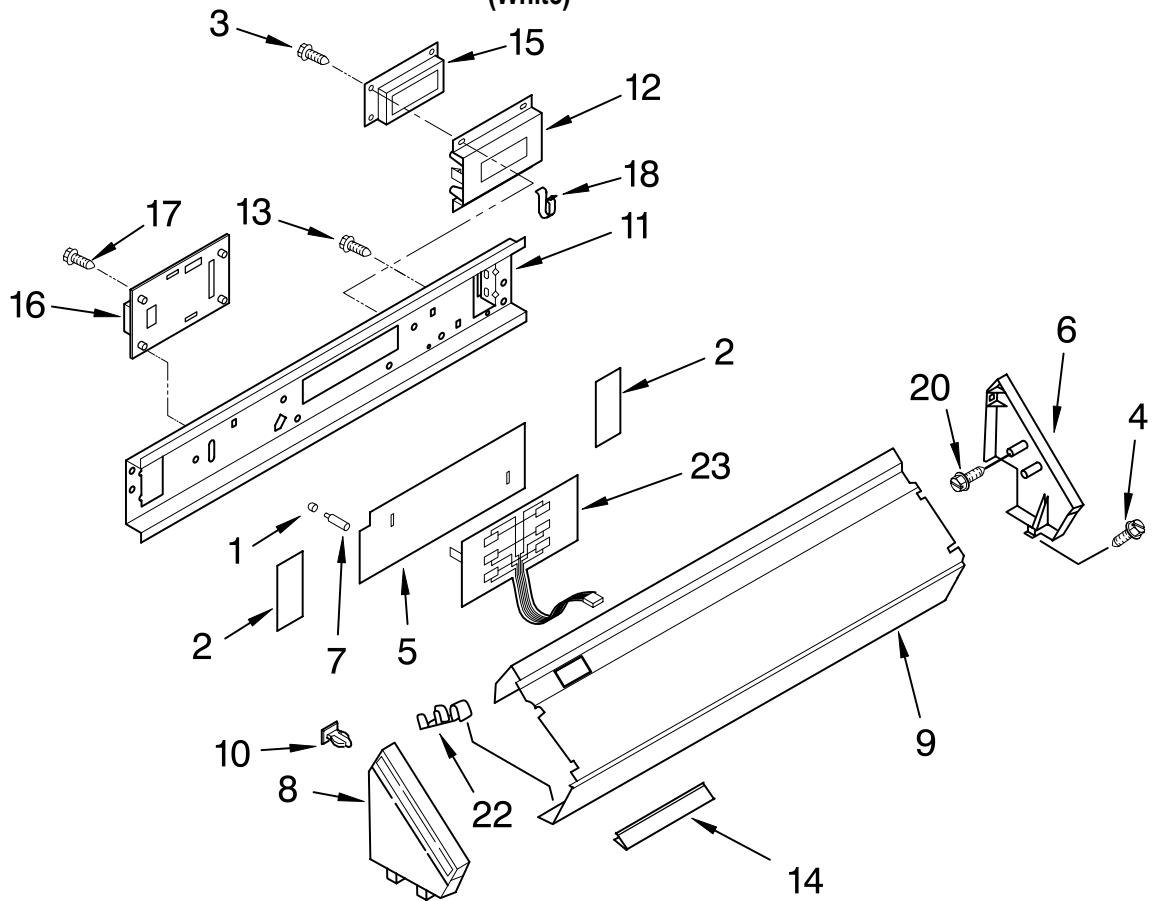
Illus. No.	Part No.	DESCRIPTION
1		Literature Parts
	LIT8524739	Installation Instructions
	LIT8315961	Wiring Diagram
	LIT8316463	Tech Sheet
	LIT8315968	Instructions, Coin Slide
	LIT8316487	Repair Parts List
2	8524688	Top
3	3353950	Spacer, Cabinet To Top (4)
4	358473	Nut, Push-In (2)
5	3358500	Panel, Front
6	62780	Clip, Top & Cabinet & Rear Panel (2)
7	3355753	Clip, Ground
8	3400611	Screw & Washer, Lid Switch (2)
9	3393918	Screw, Ground
10	3953152	Shield, Pressure Switch
11	8054980	Switch, Lid
12	387371	Plug Lock
13	355274	Screw, Lid Hinge Mounting (4)
14	21097	Pad, Lid Hinge (2)
15	8524784	Hinge, Lid (L.H.)
16	54583	Hinge, Lid (R.H.)
17	19119	Bumper, Lid Hinge
18	21258	Bearing, Lid Hinge (2)
19	8316257	Lid
20	3353948	Bracket, Lock
	63554	Rivet (2)
21	3353812	Locator (4)
22	356908	Bumper, Lid (2)
23	718258	Screw (4)
24	3351614	Screw, 10-24 x 3/8
26	98234	Clip, Ground (2)
28	3353993	Screw (2)
32	356907	Rivet, Plastic (2)
35	3393258	Screw, Panel Mtg. (2)
36	3353708	Panel, Right Hand
37	3353714	Panel, Left Hand
39	3353949	Pin, Locator (2)
40	18776	Lock (2)
44	90406	Cage Nut

FOR ORDERING INFORMATION REFER TO PARTS PRICE LIST

CONTROL PANEL PARTS

For Model: CAP2762MQ0

(White)



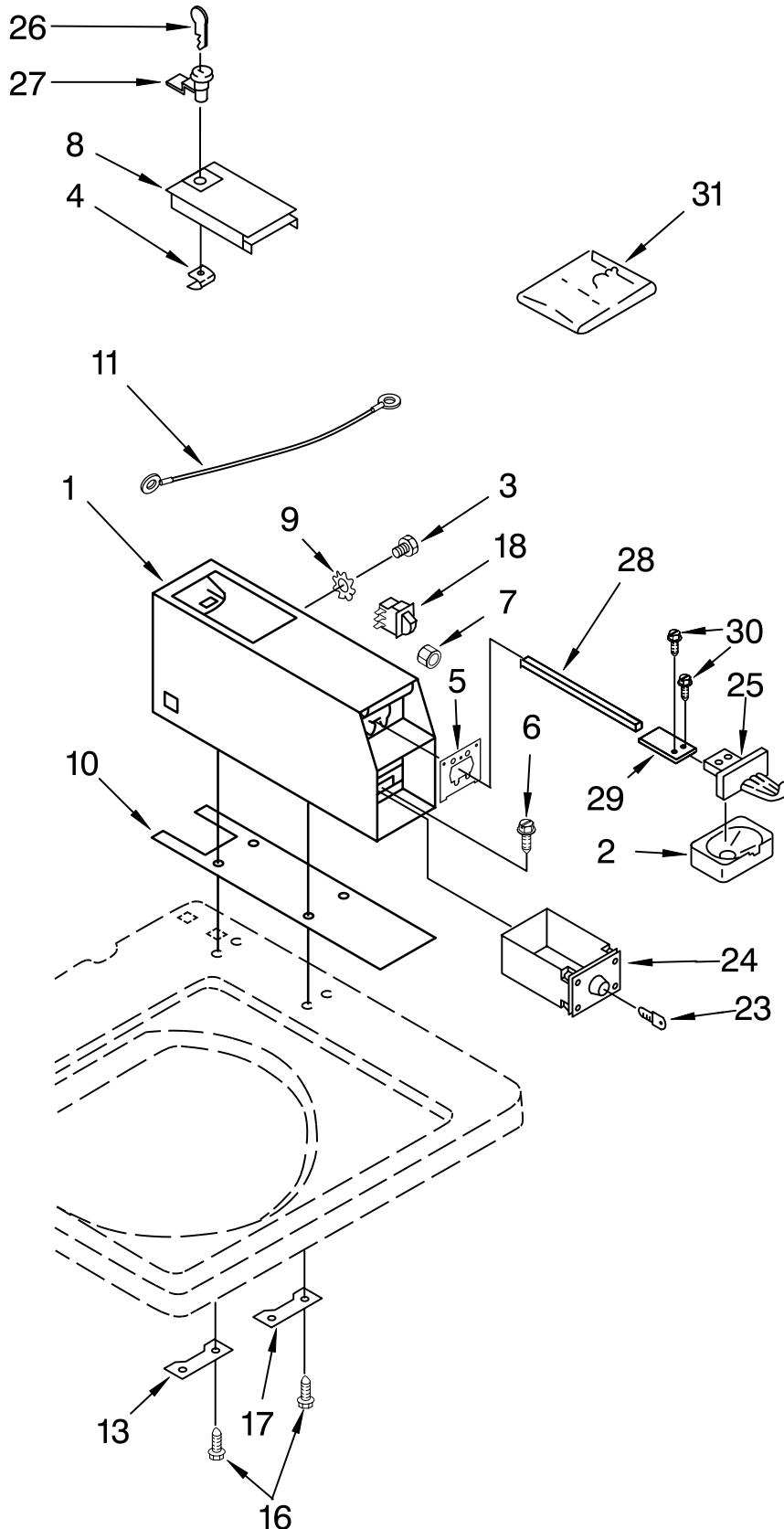
Illus. No.	Part No.	DESCRIPTION
1	3951768	Cap, Mounting Stud
2	3950775	Backer Plate (Side)
3	90767	Screw, 8-18 x 3/8
4	8281182	Screw, 8-18 x 1.25
5	3950773	Backer Plate
6	8316516	End Cap (R.H.)
7	3950774	Mounting Stud
8	3949734	End Cap (L.H.)
9	8524810	Panel, Control
10	689559	Nut, Push-In (2)
11	3950800	Bracket, Control
12	3949599	Bezel, Display
13	90864	Screw, 10-24 x 1/2
14	686770	Protector, Support
15	3407151	Display, Electronic
16	3407152	Board, Control
17	3393909	Screw (4)
18	3363338	Clip (2)
20	97787	Screw, 11-16 x 3/4
22	357572	Clip, Grounding
23	3407158	Switch, Membrane

FOR ORDERING INFORMATION REFER TO PARTS PRICE LIST

METER CASE PARTS

For Model: CAP2762MQ0

(White)



Illus. No.	Part No.	DESCRIPTION
1	3406994	Meter Case
2	385421	Funnel, Coin
3	339805	Screw, 10-32 x 3/16
4	90406	Nut, Cage
5	3954761	Plate, Adapter (Includes #2)
6		Bolt
	3353994	5/16 - 18 X 2 1/2
	3349065	5/16 - 24 x 1
7	3400029	Nut
8	3351136	Door, Service
9	3400900	Washer
10	3954812	Cushion, Case
11	340025	Wire, Ground
13	3353813	Plate, Mounting
16	98445	Screw, 10-16 x 3/4
17	3347825	Plate, Mounting
18	3402784	Switch, Service Diagnostic

Coin Mechanism Parts May Be Ordered From Whirlpool (*) Or Vendor(s) Listed Below

23		Key, Money Box (Specify Vendor Of Money Box When Ordering)
24	*8316525	Money Box With Key
25	*8316520	Coin Chute
	*8316264	Insert, Blank
	*8316265	Insert, 25¢
26		Key, Service Door
27	*8316526	Security Lock & Cam Assembly
28	*8318517	Bolt, Slide Mechanism
29	*8316522	Extension
30	*3400086	Screw, 10-32 x 3/8
31	*8316524	Kit, Decal

◆ GREENWALD
212 Middlesex Ave.
Chester, CT
06412-1254

1-800-221-0982

sales@greenwaldindustries.com

◆ ESD
270 New Jersey Dr.
Fort Washington, PA
19034

1-800-523-1510

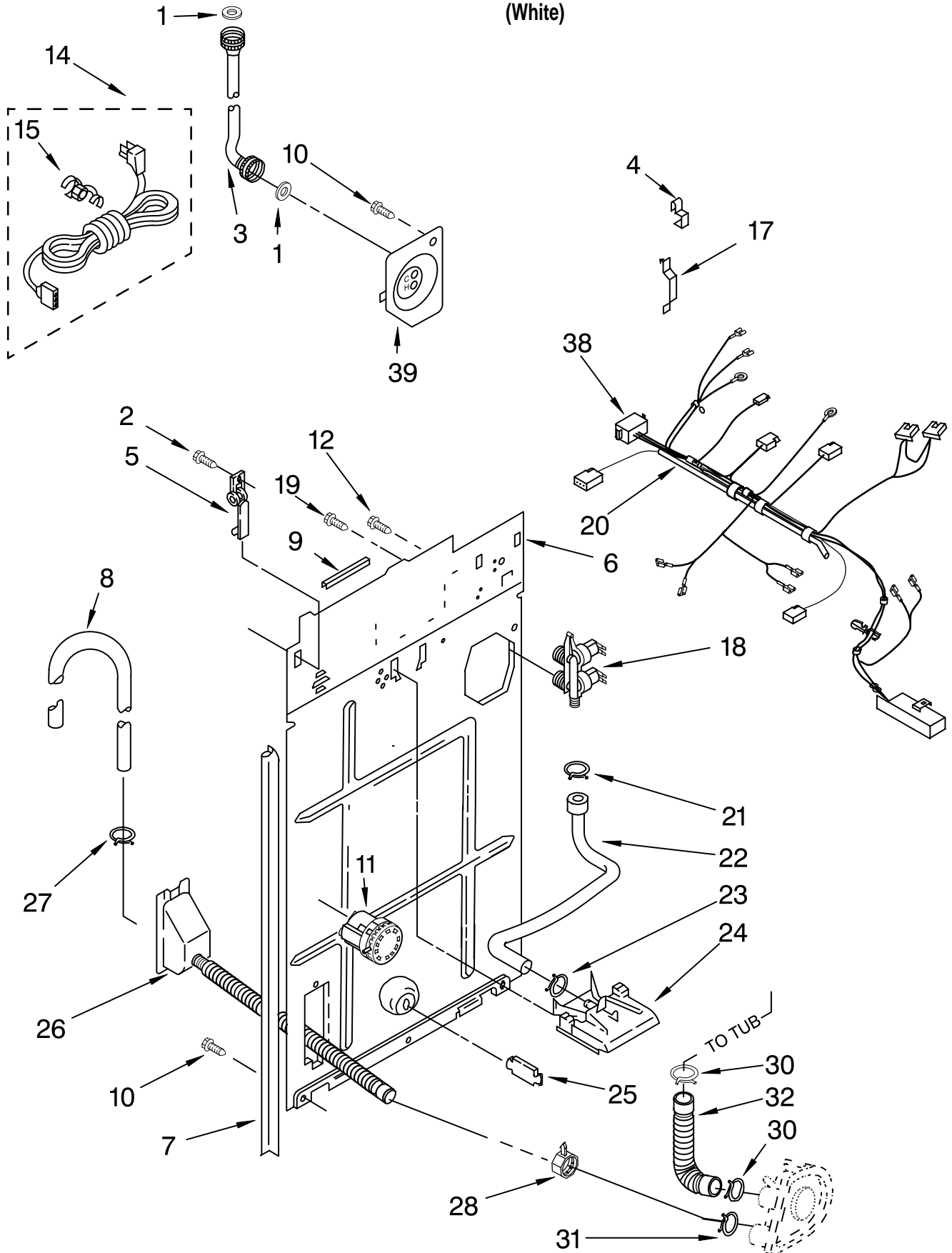
info@esdcoin.com

FOR ORDERING INFORMATION REFER TO PARTS PRICE LIST

REAR PANEL PARTS

For Model: CAP2762MQ0

(White)



FOR ORDERING INFORMATION REFER TO PARTS PRICE LIST

REAR PANEL PARTS

For Model: CAP2762MQ0
(White)

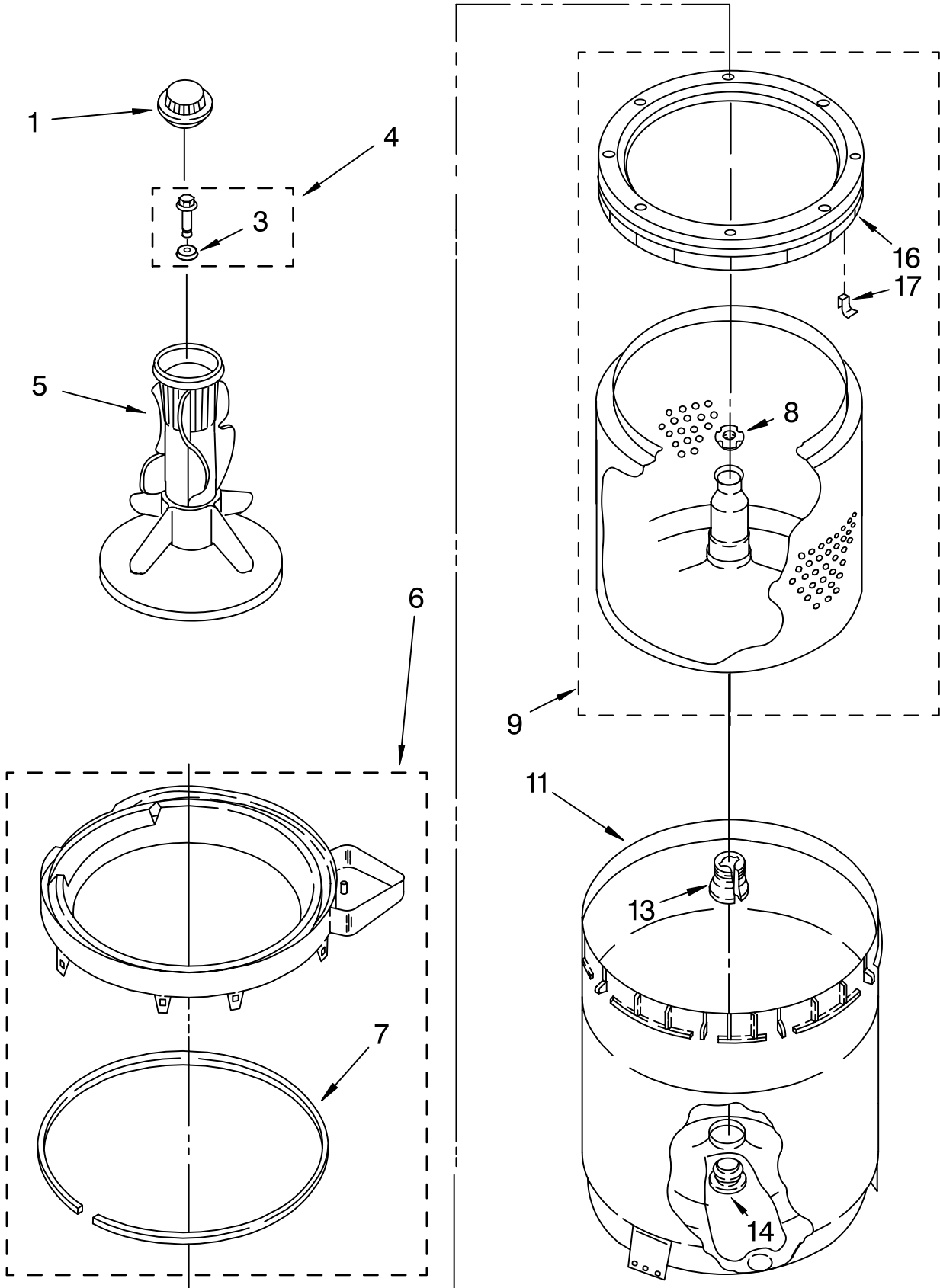
Illus. No.	Part No.	DESCRIPTION
1	16123	Washer, Water Inlet Hose (4) (1-1/16 x 5/8)
2	3390647	Screw, 8-18 x 1/2
3		Hose, Water Inlet (2)
	3949380	Blue Coupler
	3949381	Red Coupler
4	8282518	Clip, Harness
5	387402	Hinge, Console (2)
6	8312721	Panel, Rear
7	3354204	Pad, Rear Panel
8	96743	Hose, Drain (4')
	661577	Hose Drain (9') (Not Included.)
	3357090	Extension, Drain, Hose (21 Inches) (Not Included)
9	303294	Edge Protector
10	62863	Screw, 10-16 x 3/8
11	3952720	Switch, Water Level
12	3351614	Screw, 10-24 x 3/8
14	3359548	Cord, Power
15	63848	Strain Relief, Power Cord
17	8054658	Clip, Harness
18	3952164	Valve, Water Mixing
19	9740848	Screw, 8-18 x 1/2
20	3363655	Hose, Pressure Switch
21	370451	Clamp, Hose
22	62662	Hose, Vacuum Break
23	371503	Clamp, Hose
24	3347034	Break, Vacuum
25	63290	Support, Rear Panel
26	8317940	Drain Hose Assembly
27	3366912	Clamp, Hose
28	3976395	Clamp, Hose
30	3363366	Clamp, Hose
31	8317496	Clamp, Hose
32	3951449	Hose, Pump To Tub
38	3956212	Harness, Wiring (Includes # 20)
39	3347682	Plate, Mixing Valve

FOR ORDERING INFORMATION REFER TO PARTS PRICE LIST

AGITATOR, BASKET AND TUB PARTS

For Model: CAP2762MQ0

(White)



FOR ORDERING INFORMATION REFER TO PARTS PRICE LIST

AGITATOR, BASKET AND TUB PARTS

For Model: CAP2762MQ0

(White)

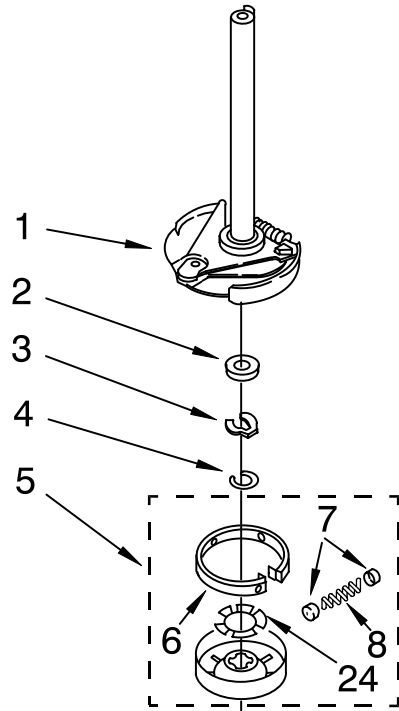
Illus. No.	Part No.	DESCRIPTION
1	3355758	Cap, Agitator
3	3949550	Washer
4	358237	Screw & Washer (5/16-24 X 1)
5	3350151	Agitator
6	3360611	Tub Ring
7	3359586	Gasket, Tub Ring
8	21366	Nut, Spanner
9	8271650	Basket and Balance Ring
11	63125	Tub
13	389140	Block, Drive
14	383727	Gasket, Centerpost
16	387868	Balance Ring (Incl. Item 17)
17	8519815	Clip, Balance Ring (8)

FOR ORDERING INFORMATION REFER TO PARTS PRICE LIST

BRAKE, CLUTCH, GEARCASE, MOTOR AND PUMP PARTS

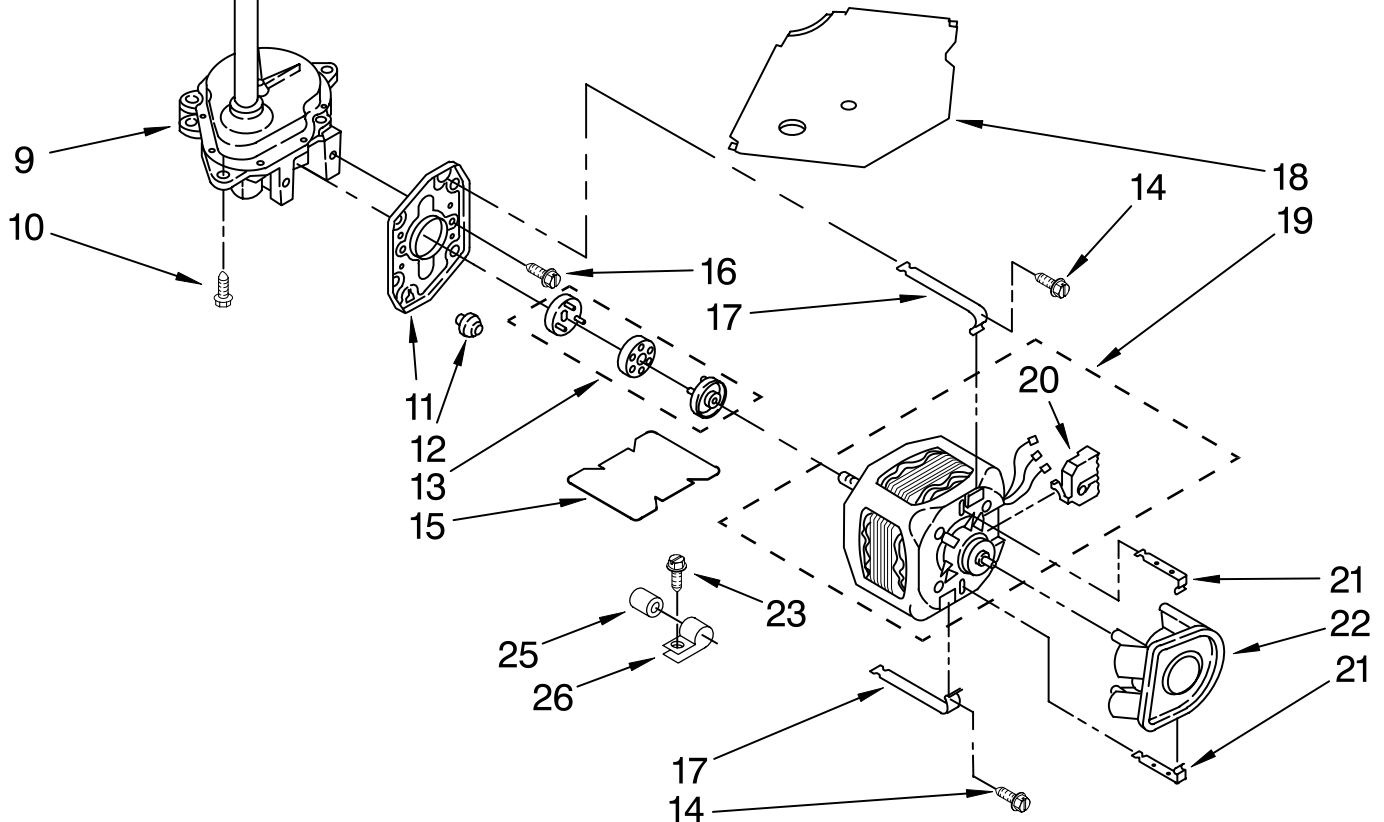
For Model: CAP2762MQ0

(White)



Illus. No.	Part No.	DESCRIPTION
1	388951	Brake & Drive Tube (Complete) (Refer to Page 15 For Further Breakdown)
2	63292	Washer, Spin Tube Thrust
3	62697	Ring, Spin Tube Support
4	63283	Ring, Retainer
5	3951311	Clutch (Complete)
6	3951308	Band & Lining, Clutch (Includes Illus. 7 & 8)
7	62646	Cap, Clutch Spring (2)
8	3946792	Spring, Clutch
9	3360630	Gearcase (Complete) (Refer To Page 14 For Further Breakdown)
10	3357334	Screw, Gearcase To Base (3)

Illus. No.	Part No.	DESCRIPTION
11	62611	Plate, Motor Mount To Gearcase
12	62691	Grommet, Motor (4)
13	285852	Coupling, Motor And Isolation
14	3387485	Screw (2) #10-16 x 5/8
15	3946532	Shield, Motor
16	3400516	Screw (2)
17	3349637	Retainer, Motor (2)
18	3362089	Shield, Tub To Motor
19	661600	Motor, Main Drive
20	62850	Switch, Main Drive Motor
21	62700	Retainer, Pump (2)
22	3363394	Pump (Complete)
23	62863	Screw, 10-16 x 3/8
24	3355454	Clip, Anti-Rattle
25	661606	Capacitor
26	357030	Clamp, Capacitor

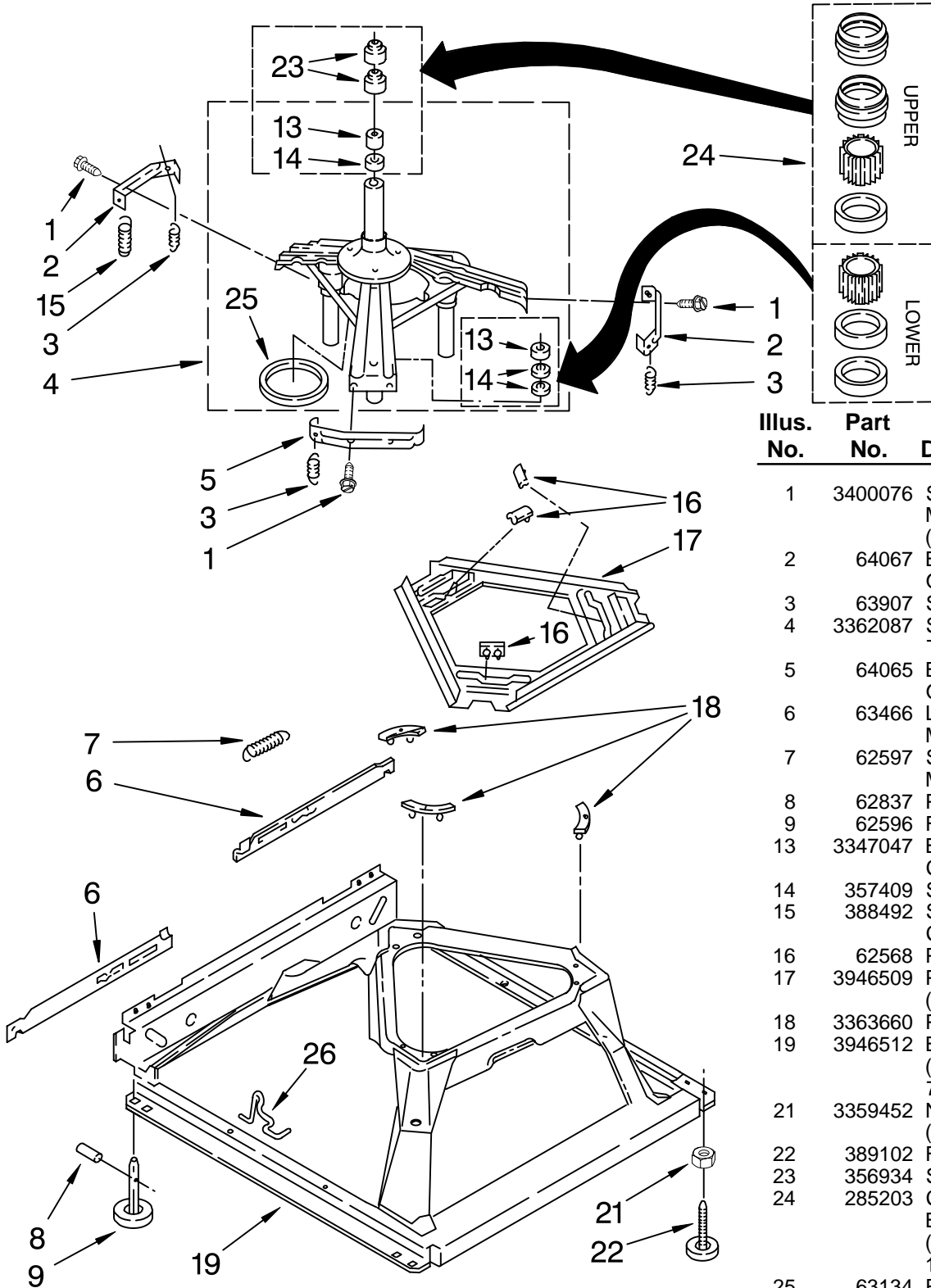


FOR ORDERING INFORMATION REFER TO PARTS PRICE LIST

MACHINE BASE PARTS

For Model: CAP2762MQ0

(White)



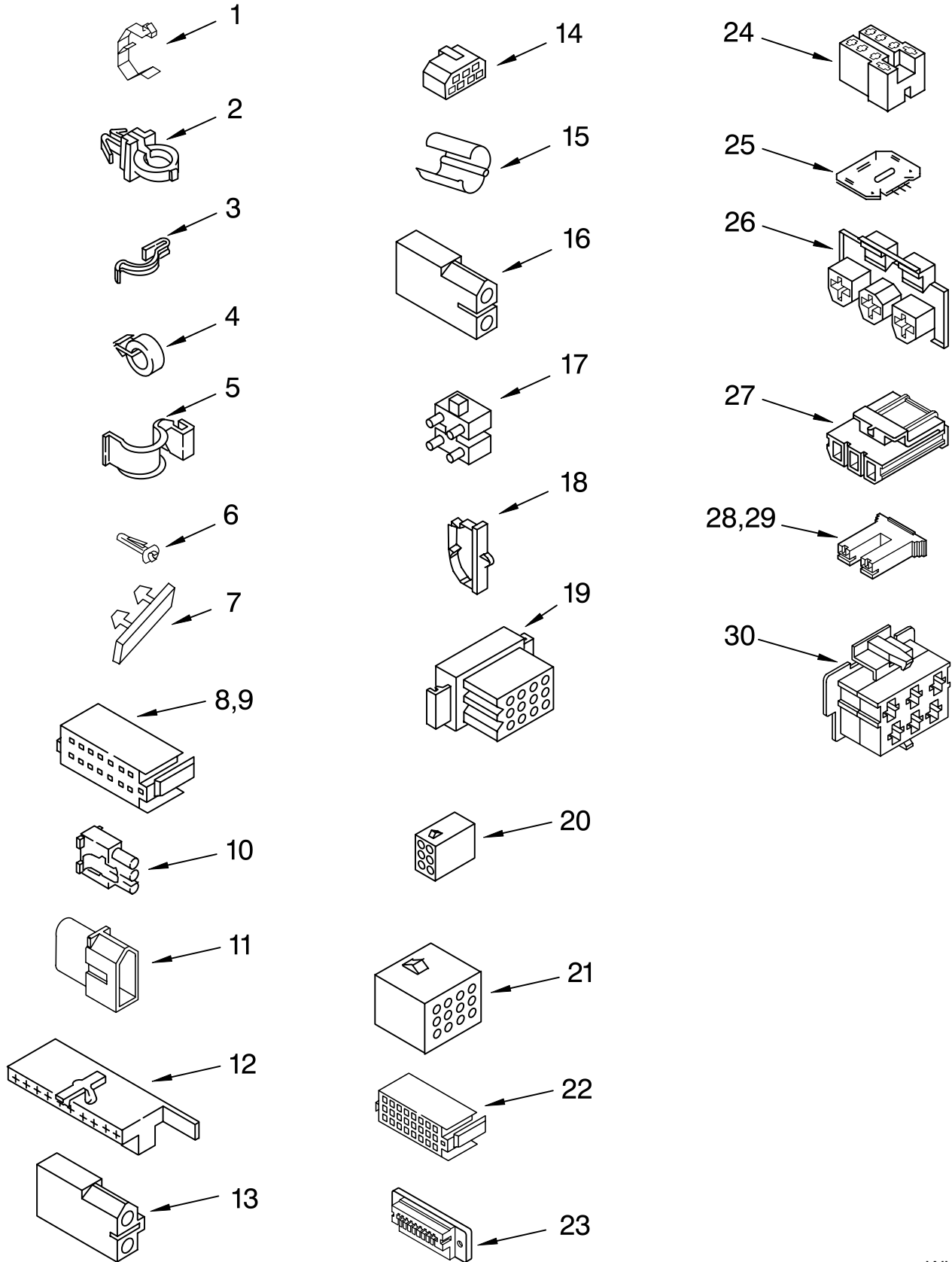
Illus. No.	Part No.	DESCRIPTION
1	3400076	Screw, Bracket Mounting (10-16 x 5/8)
2	64067	Bracket, Spring Outer (2)
3	63907	Spring, Suspension (3)
4	3362087	Support & Brake, Tub
5	64065	Bracket, Spring Outer (L.F.)
6	63466	Link, Leveling Mechanism (2)
7	62597	Spring, Leveling Mechanism
8	62837	Pin, Knurled
9	62596	Foot, Rear (2)
13	3347047	Bearing, Centerpost (2)
14	357409	Seal, Centerpost (3)
15	388492	Spring, Counterweight
16	62568	Pad, Plate
17	3946509	Plate, Suspension (Includes Illus. 16)
18	3363660	Pad, Base
19	3946512	Base Assembly (Includes Illus. 6, 7, 8, 9, 18 & 26)
21	3359452	Nut, Lock (3/8-16)
22	389102	Foot, Front (2)
23	356934	Seal, Centerpost (2)
24	285203	Centerpost Bearing Kit (Includes Illus. 13, 14 & 23)
25	63134	Ring, Sound Deadening
26	63806	Retainer, Suspension Spring

FOR ORDERING INFORMATION REFER TO PARTS PRICE LIST

WIRING HARNESS PARTS

For Model: CAP2762MQ0

(White)



WH2G

FOR ORDERING INFORMATION REFER TO PARTS PRICE LIST

WIRING HARNESS PARTS

For Model: CAP2762MQ0

(White)

Illus. No.	Part No.	DESCRIPTION	Illus. No.	Part No.	DESCRIPTION	Illus. No.	Part No.	DESCRIPTION
1	3349557	Clip, Harness	13	3348075	Block, Disconnect (Motor 3 Speed)	23	3349494	Connector, Etc
2	388498	Clip, Harness			(Use Term. 94613 Or 94614.)	24	60687	Connector, Relay (Use Term.308569)
3	3347812	Clip, Harness	14	3347243	Block, Disconnect (Use Term. 352088)	25	3407125	E.T.C. Control
4	3352501	Clip, Harness				26	3948617	Connector (T.P.A.) (3-Circuit) (Lid Switch)
5	90016	Clip, Harness	15	63523	Protector			(Use Term. 3948619 OR 3948620.)
6	3390496	Clip, Harness	16	717252	Connector (2-Way) (Use Term.94614)	27	3360056	Connector (T.P.A.) (3-Circuit) (Pressure Switch)
7	389379	Retainer, (Suds Models)	17	387566	Plug, Terminal (4-Way) (Power Cord) (Use M3 Screws)			(Use Term.3948619 OR 3948620.)
8	352090	Timer, Block Disconnect (White)	18	3352944	Clip, Harness	28	3354925	Block, Connector (Cold Valve)
9	352089	Timer, Block Disconnect (Black)	19	3390423	Block, Disconnect (12-Way) (Timer) (Use Term. 94613)	29	3354926	Block, Connector (Hot Valve) (Use Term.693217)
10	62889	Receptacle, Terminal (3-Way) (Lid Switch) (Use Term.94613) Or 94614.)	20	3347730	Receptacle (6-Way) (Use Term. 94613)	30	3948615	Connector (T.P.A.) (6-Circuit) (Temp. Switch) (Use Term.3948619 OR 3948620.)
11	353424	Plug, Terminal (3-Way) (Power Cord) (Use Term.94613)	21	388818	Plug, Terminal (12-Way) (Use Term. 94613 Or 94614.)			
12	62505	Block, Disconnect (Motor 2 Speed) (Use Term.352088)	22	3369366	Timer, Block Disconnect (Black) (Amp) (Use Term.3369365)			

**FOR COMPLETE WIRING HARNESS REFER TO
CONTROL AND REAR PANEL PARTS PAGE**

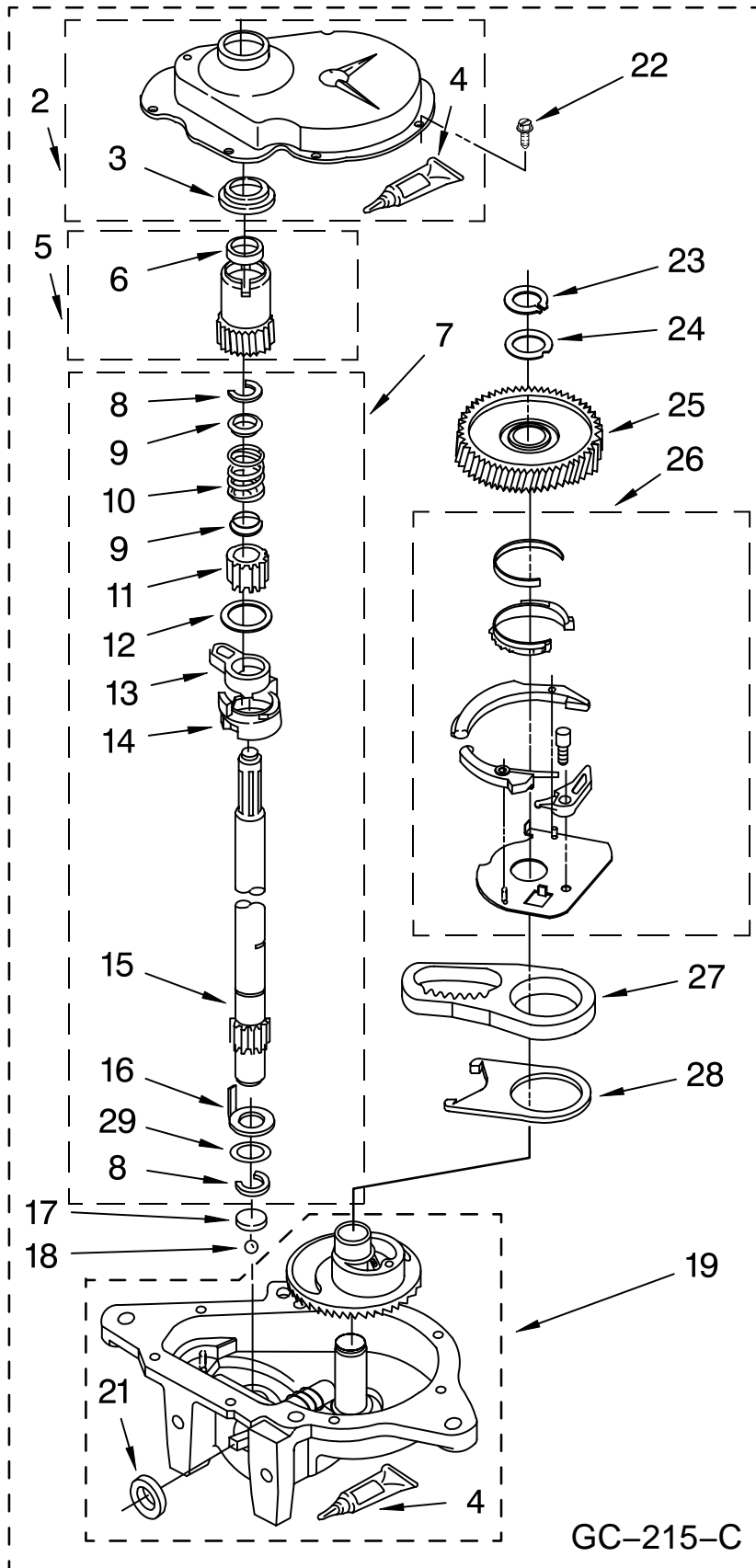
WH2G

FOR ORDERING INFORMATION REFER TO PARTS PRICE LIST

GEARCASE PARTS

For Model: CAP2762MQ0

(White)



Illus. No.	Part No.	DESCRIPTION
1	3360630	Gearcase (Complete)
2	285202	Cover, Gearcase
3	3349985	Seal, Gearcase Cover
4	285195	Sealer, Gasket (.20 Fl. Oz.) (6 ml)
5	63320	Pinion, Spin (Includes Illus. 25)
6	356427	Seal, Spin Pinion
7	389387	Shaft, Agitator (Complete)
8	90369	Ring, Retaining (2)
9	62677	Retainer, Spring
10	62676	Spring, Agitate
11	63273	Gear, Agitate (Includes 15 and 29)
12	62619	Washer, Agitate Gear
13	62580	Cam Follower (Includes 14)
14	62581	Cam, Agitate (Includes 13)
15	285509	Shaft, Agitator (Includes 11 and 29)
16	62618	Washer, Cam Thrust
17	16018	Bearing, Thrust
18	85529	Ball, Bearing
19	389230	Bottom and Pinion, Gearcase
21	285352	Seal, Thrust Plug
22	3351614	Screw, Gearcase Cover, Mounting (8) (10-24 x 3/8)
23	3362552	Ring, Retaining
24	285735	Washer Kit, Thrust
25	62570	Gear, Spin
26	388253	Neutral Assembly
27	3349296	Rack, Connecting
28	62621	Actuator, Shift
29	388815	Washer, Intermediate

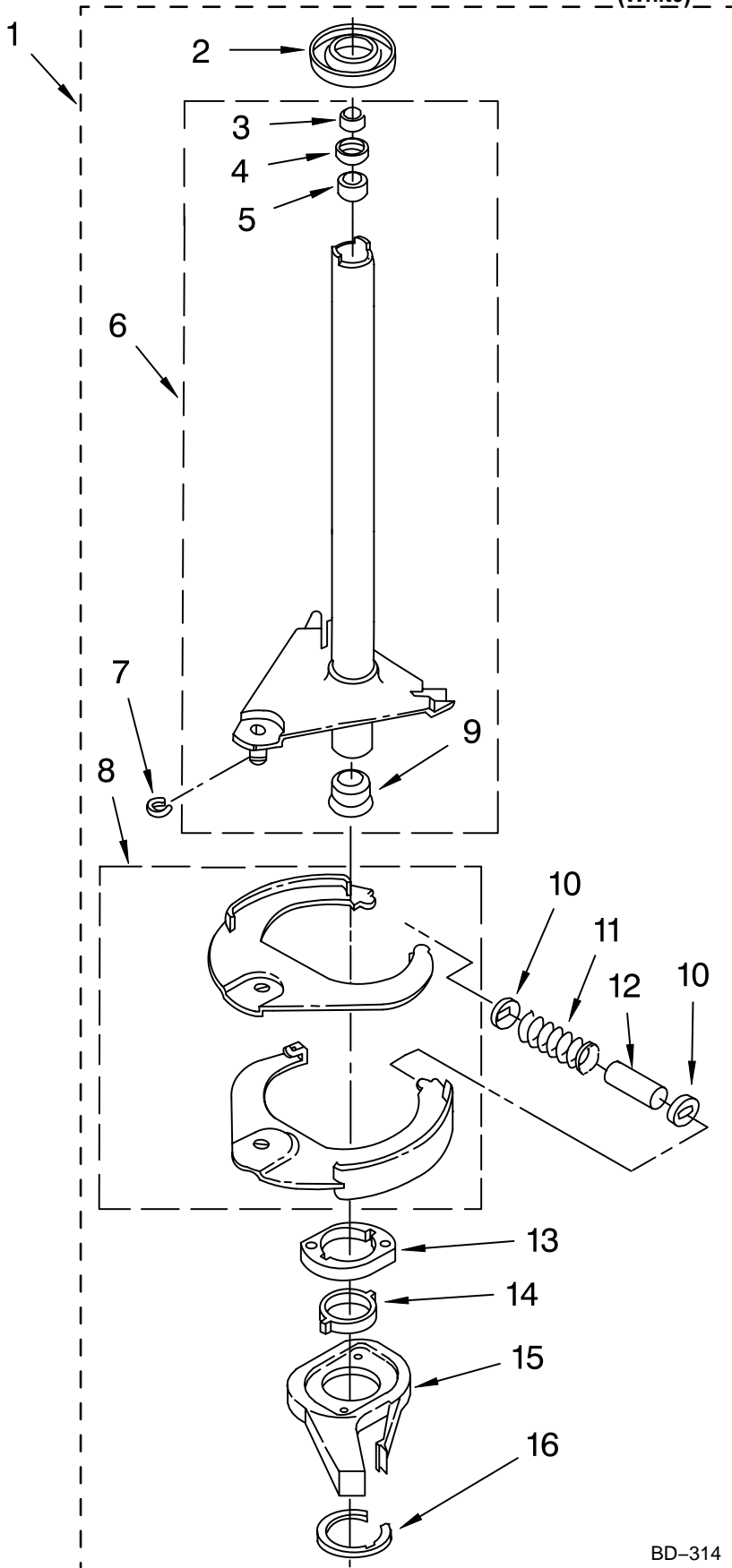
GC-215-C

FOR ORDERING INFORMATION REFER TO PARTS PRICE LIST

BRAKE AND DRIVE TUBE PARTS

For Model: CAP2762MQ0

(White)



Illus. No.	Part No.	DESCRIPTION
1	388951	Brake And Drive Tube (Complete)
2	62658	Ring, Thrust
3	91939	Seal, Oil
4	356427	Seal, Drive Tube
5	356937	Spacer, Drive Tube
6	64027	Tube, Basket Drive (Includes Illus. 3, 4, 5 & 9)
7	64035	Ring, Retaining
8	64232	Brake Shoe
9	62703	"T" Bearing, Spin Tube
10	62648	Cap, Brake Spring (2)
11	62647	Spring, Brake
12	62909	Sleeve, Brake Spring
13	63023	Cam, Brake Release
14	63022	Sleeve, Cam
15	64194	Driver, Brake Cam
16	90368	Ring, Retaining

FOLLOWING PARTS NOT ILLUSTRATED

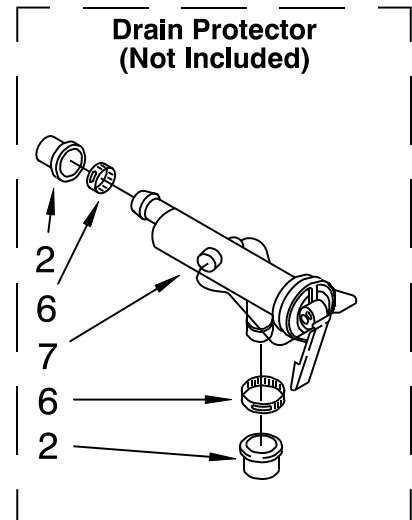
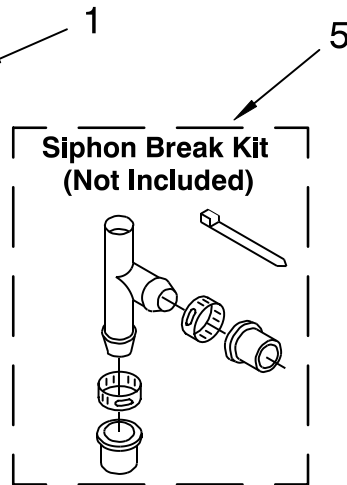
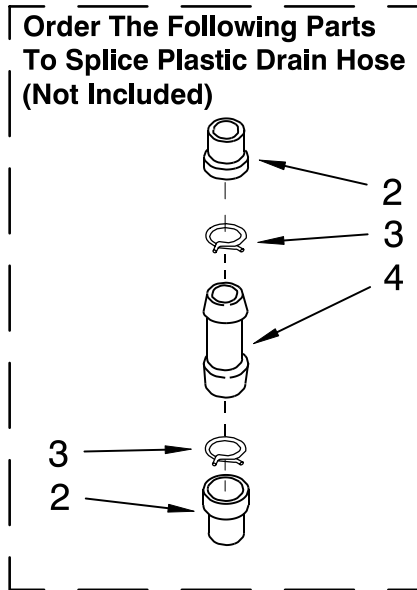
285208 Lubricant (Use Only In Brake Shoe Assembly On Roller & Pin)

FOR ORDERING INFORMATION REFER TO PARTS PRICE LIST

WATER SYSTEM PARTS

For Model: CAP2762MQ0

(White)



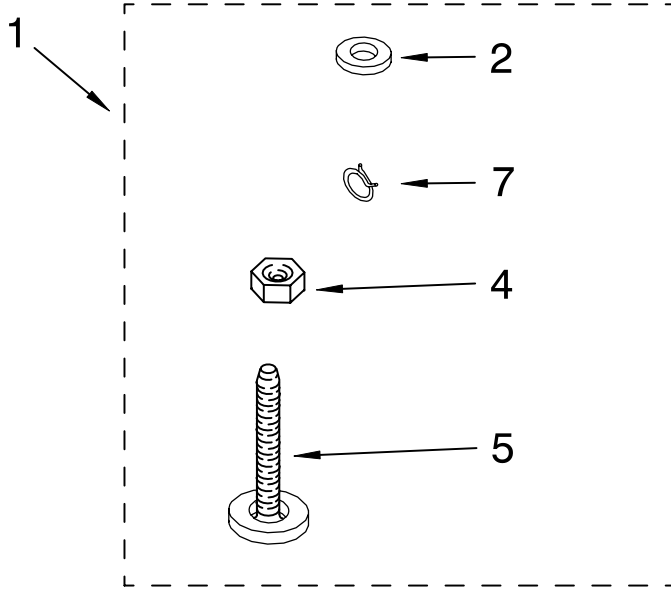
WS400

Illus. No.	Part No.	DESCRIPTION
1	285442	Connector Kit, Plastic Drain Hose
2	285321	Sleeve Kit, (Contains 2 Sleeves)
3	370447	Clamp, Hose
4	16272	Connector, Straight
5	285320	Siphon Break Kit (Not Included)
6	65349	Clamp, Hose
7	367031	Drain Protector (Not Included)

FOR ORDERING INFORMATION REFER TO PARTS PRICE LIST

MISCELLANEOUS PARTS

For Model: CAP2762MQ0
(White)



Illus. No.	Part No.	DESCRIPTION
1	3954579	Miscellaneous Parts Bag
2	16123	Washer, Inlet Hose (1-1/16 x 5/8) (4)
4	3359452	Nut, Lock (3/8-16)
5	389102	Foot, Front (2)
7	3366912	Clamp, Hose

OPTIONAL PARTS (NOT INCLUDED)

Illus. No.	Part No.	DESCRIPTION
<u>PAINT, TOUCH-UP (1/2oz.)</u>		
	72017	White
<u>PAINT, PRESSURIZED SPRAY (12 oz.)</u>		
	350938	Primer, Gray
	350930	White

Illus. No.	Part No.	DESCRIPTION
<u>PAINT, BULK (1 qt.)</u>		
	799344	White (Uncut)
<u>OIL</u>		
	350572	Oil, Gearcase (16 Oz.)

Illus. No.	Part No.	DESCRIPTION
<u>LUBRICANT</u>		
	285208	Lubricant (Use Only in Brake Shoe Assembly On Roller and Pin)
<u>SEALER</u>		
	285195	Sealer, Gasket (.20 Fl. Oz.) (6 ml)

FOR ORDERING INFORMATION REFER TO PARTS PRICE LIST