

AD-330 / AD-320 Parts Manual

1989 thru 1991

American Dryer Corporation
88 Currant Road
Fall River, MA 02720-4781
Telephone: (508) 678-9010 / Fax: (508) 678-9447

123191

ADC Part No. 450099

Retain This Manual In A Safe Place For Future Reference

American Dryer Corporation products embody advanced concepts in engineering, design, and safety. If this product is properly maintained, it will provide many years of safe, efficient, and trouble-free operation.

ONLY properly licensed technicians should service this equipment.

Observe all safety precautions displayed on the equipment or specified in the Installation/Operator's Manual included with the dryer.

WARNING: UNDER NO CIRCUMSTANCES should the dryer door switch or the heat circuit devices ever be disabled.

WARNING: The dryer must never be operated with any of the back guards, outer tops, or service panels removed. PERSONAL INJURY or FIRE COULD RESULT.

We have tried to make this manual as complete as possible and hope you will find it useful. ADC reserves the right to make changes from time to time, without notice or obligation, in prices, specifications, colors, and materials and to change or discontinue models.

Important

For your convenience, log the following information:

DATE OF PURCHASE _____ MODEL NO. _____

DISTRIBUTOR'S NAME _____

Serial Number(s) _____

Replacement parts can be ordered from your distributor or the ADC factory. When ordering replacement parts from the factory, you can fax your order to ADC at (508) 678-9447 or telephone your orders directly to the ADC Parts Department at (508) 678-9010. Please specify the dryer model number and serial number in addition to the description and part number, so that your order is processed accurately and promptly.

The illustrations on the following pages may not depict your particular dryer exactly. The illustrations are a composite of the various dryer models. Be sure to check the descriptions of the parts thoroughly before ordering.

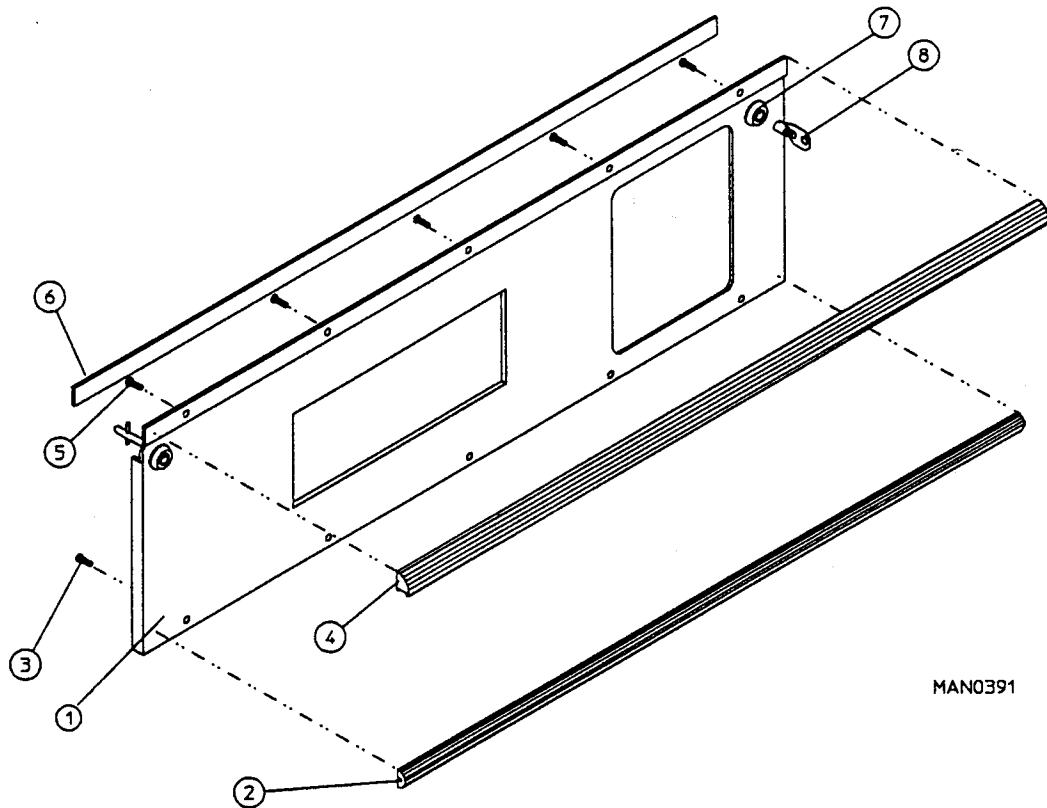
INSTRUCTIONS TO BE FOLLOWED IN THE EVENT THE USER SMELLS GAS MUST BE POSTED IN A PROMINENT LOCATION. THE INSTRUCTIONS TO BE POSTED SHALL BE OBTAINED FROM THE LOCAL GAS SUPPLIER.

TABLE OF CONTENTS

AD-330 (3-leg) Coin Control Door Assembly	
For Models Mfd. as of December 10, 1991	3
AD-320 (3-leg) Coin Control Door Assembly	
For Models Mfd. as of December 10, 1991	4
AD-330 (3-leg) OPL Control Door Assembly	
For Models Mfd. as of December 10, 1991	5
AD-320 (3-leg) OPL Control Door Assembly	
For Models Mfd. as of December 10, 1991	6
AD-330 (2-leg) Coin Control Door Assembly	
For Models Mfd. Prior to December 10, 1991	7
AD-320 (2-leg) Coin Control Door Assembly	
For Models Mfd. as of December 10, 1991	8
AD-330 (2-leg) OPL Control Door Assembly	
For Models Mfd. Prior to December 10, 1991	9
AD-320 (2-leg) OPL Coin Control Door Assembly	
For Models Mfd. Prior to December 10, 1991	10
AD-330 Lint Door Assembly	11
AD-320 Lint Door Assembly	12
AD-330 Lint Drawer (Basket) Assembly	13
AD-320 Lint Drawer (Basket) Assembly	14
AD-330 Locking Lint Drawer (Basket) Assembly	15
AD-320 Locking Lint Drawer (Basket) Assembly	16
AD-330/ AD-320 Single Coin, Dual Control Microprocessor (DMC) Control Panel Assembly	
For SINGLE COIN (25¢) MODELS ONLY	17
AD-330/ AD-320 25¢ Coin Acceptor Component Listing	
For SINGLE COIN (25¢) MODELS ONLY	18
AD-330/ AD-320 Dual Coin, Dual Control Microprocessor (DMC) Control Panel Assembly	
DUAL COIN - For EXPORT MODELS ONLY	19
AD-330/ AD-320 Dual Coin Acceptor Component Listing	
DUAL COIN - For EXPORT MODELS ONLY	20, 21
AD-330/ AD-320 OPL, Dual Control Microprocessor (DMC) Control Panel Assembly	
For OPL MODELS ONLY	22
AD-330/ AD-320 Coin Vault Assembly	23
AD-330/ AD-320 Dual Control Microprocessor (DMC) Control Box Assembly	
For 115 Volt (1Ø) Application ONLY	
For Models Mfd. as of May 28, 1991	24, 25

AD-330/AD-320 Dual Control Microprocessor (DMC) Control Box Assembly For 208/230 Volt (1Ø) Application ONLY For Models Mfd. as of May 28, 1991	26, 27
AD-330/AD-320 Dual Control Microprocessor (DMC) Control Box Assembly For Models Mfd. Prior to May 28, 1991	28, 29
AD-330/AD-320 Upper Front Panel Assembly Latch-Type	30
AD-330/AD-320 Lower Front Panel Assembly Latch-Type	31
AD-330/AD-320 Upper Front Panel Assembly Magnet-Type	32
AD-330/AD-320 Lower Front Panel Assembly Magnet-Type	33
AD-330/AD-320 Main Door Assembly Latch-Type	34
AD-330 / AD-320 Main Door Assembly Magnet-Type	35
AD-330 Basket (Tumbler) Support Assembly Tapered Rib For Models Mfd. as of April 18, 1991	36
AD-320 Basket (Tumbler)/Support Assembly Tapered Rib	37
AD-330 Basket (Tumbler)/Support Assembly Standard Rib For Models Mfd. Prior to April 18, 1991	38
AD-330/AD-320 Basket (Tumbler) Brush Assembly	39
AD-330/AD-320 Temperature Sensor Probe Assembly	40
AD-330/AD-320 Lint Draw (Basket) Switch Assembly	41
AD-330 / AD-320 Tumbler Bearing Assembly	42, 43
AD-330/AD-320 Totally Enclosed, Non-Vent Motor/Idler Assemblies	44, 45
AD-330 / AD-320 Totally Enclosed, Non-Vent Motor/Idler Assemblies	46, 47
ADG-330 Gas Valve Train Assembly For Models Mfd. as of January 31, 1991	48, 49
ADG-320 Gas Valve Train Assembly	50, 51
ADG-330 Gas Valve Train Assembly For Models Mfd. Prior to January 31, 1991	52, 53
ADG-330/ADG-320 Burner Box/Piping Assembly	54, 55
ADS-330/ADS-320 Steam Damper Assembly	56, 57
AD-330/AD-320 Sail Switch Assembly	58
AD-330/AD-320 Back Guard Assembly	59
Optional Gas Piping and Exhaust Ducting Kits	60
AD-330/AD-320 12-Rib 95" (J) Poly Belt Arrangement	61
Additional Parts Available	62

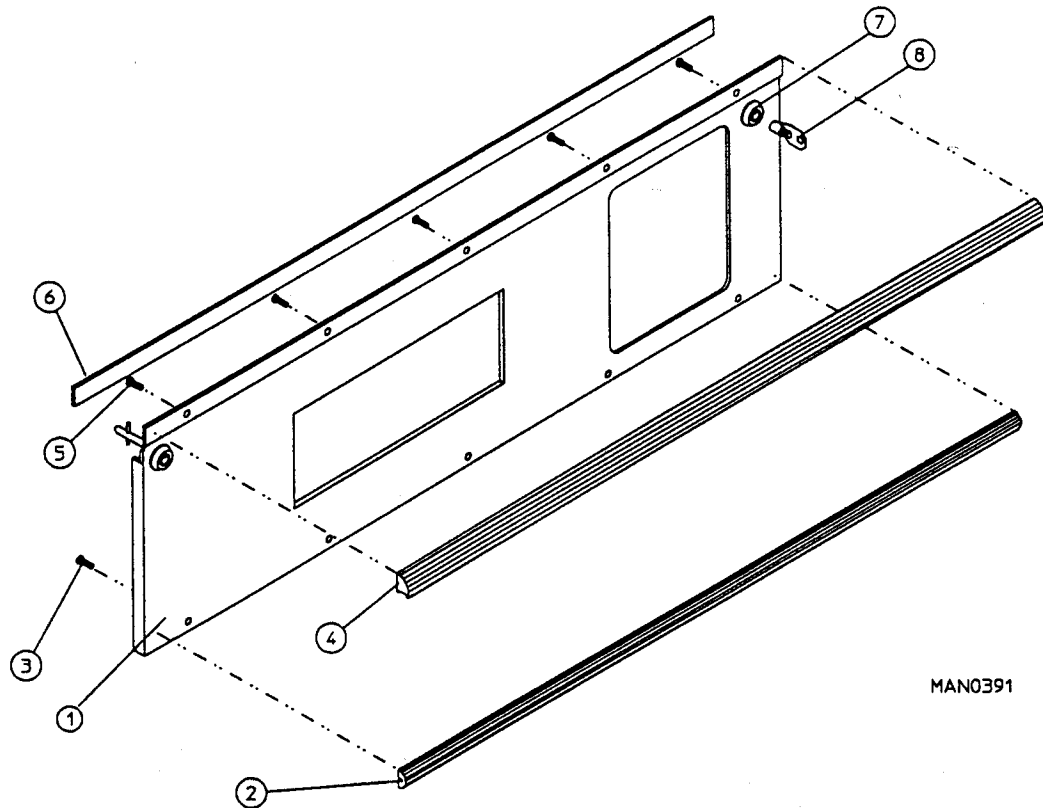
For Models Mfd. as of December 10, 1991



Illus. No.	Part Number	Qty.	Description
1	880199*	1	AD-330 (3-leg) Coin Control Door Assembly Complete less Locks (includes illus. nos. 1 through 6)
	880198	1	AD-330 (3-leg) Stainless Steel Coin Control Door Complete less Locks (includes illus. nos. 1 through 6)
2	180315	1	AD-330 Lower Door Trim (29-11/16" length)
3	150310	5	#8 x 1/2" Phillips Pan Head "A" Screw
4	180316	1	AD-330 Upper Door Trim (29-11/16" length)
5	150310	5	#8 x 1/2" Phillips Pan Head "A" Screw
6	117600	5	Noise Suppressor Tape (sold in feet)
7	160040	2	ACE® Lock Assembly Only
8	160140	-	ACE® Key Only (key number XX4451)

* Specify color when ordering.

For Models Mfd. as of December 10, 1991

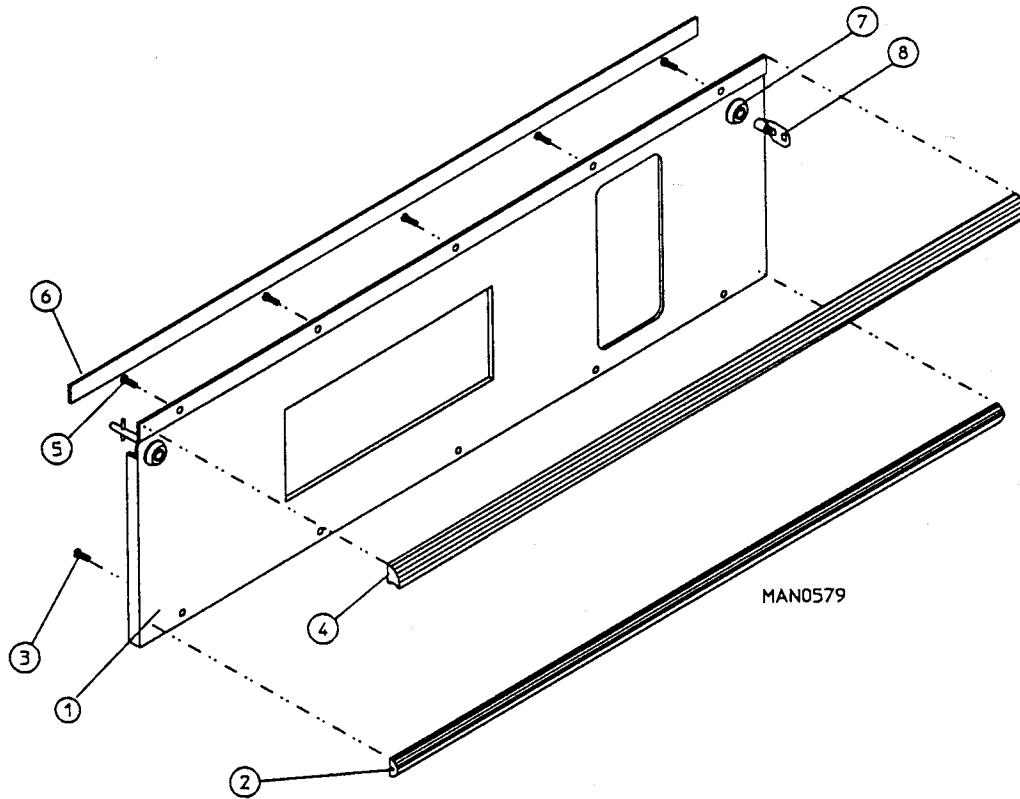


MAN0391

Illus. No.	Part Number	Qty.	Description
1	880193*	1	AD-320 (3-leg) Coin Control Door Assembly Complete less Locks (includes illus. nos. 1 through 6)
	880192	1	AD-320 (3-leg) Stainless Steel Coin Control Door Complete less Locks (includes illus. nos. 1 through 6)
2	180315	1	AD-320 Lower Door Trim (29-11/16" length)
3	150310	5	#8 x 1/2" Phillips Pan Head "A" Screw
4	180316	1	AD-320 Upper Door Trim (29-11/16" length)
5	150310	5	#8 x 1/2" Phillips Pan Head "A" Screw
6	117600	5	Noise Suppressor Tape (sold in feet)
7	160040	2	ACE® Lock Assembly Only
8	160140	--	ACE® Key Only (key number XX4451)

* Specify color when ordering.

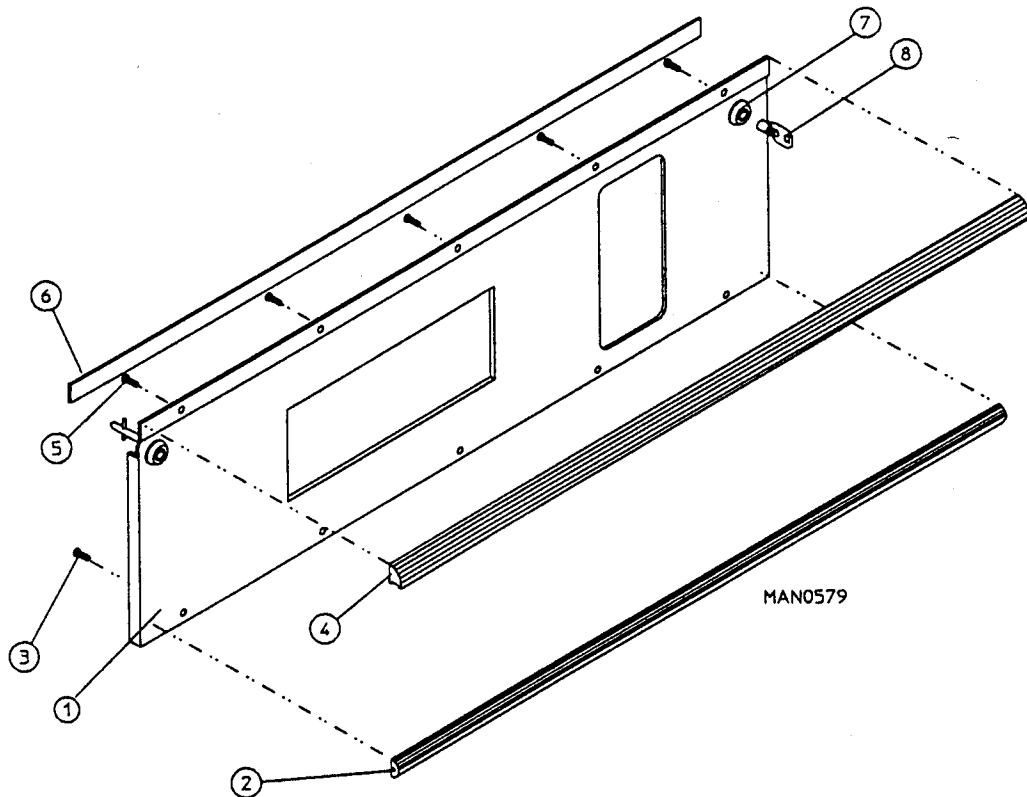
For Models Mfd. as of December 10, 1991



Illus. No.	Part Number	Qty.	Description
1	880196*	1	AD-330 (3-leg) OPL Control Door Assembly Complete less Locks (includes illus. nos. 1 through 6)
	880197	1	AD-330 (3-leg) Stainless Steel OPL Control Door Complete less Locks (includes illus. nos. 1 through 6)
2	180315	1	AD-330 Lower Door Trim (29-11/16" length)
3	150310	5	#8 x 1/2" Phillips Pan Head "A" Screw
4	180316	1	AD-330 Upper Door Trim (29-11/16" length)
5	150310	5	#8 x 1/2" Phillips Pan Head "A" Screw
6	117600	5	Noise Suppressor Tape (sold in feet)
7	160040	2	ACE® Lock Assembly Only
8	160140	-	ACE® Key Only (key number XX4451)

* Specify color when ordering.

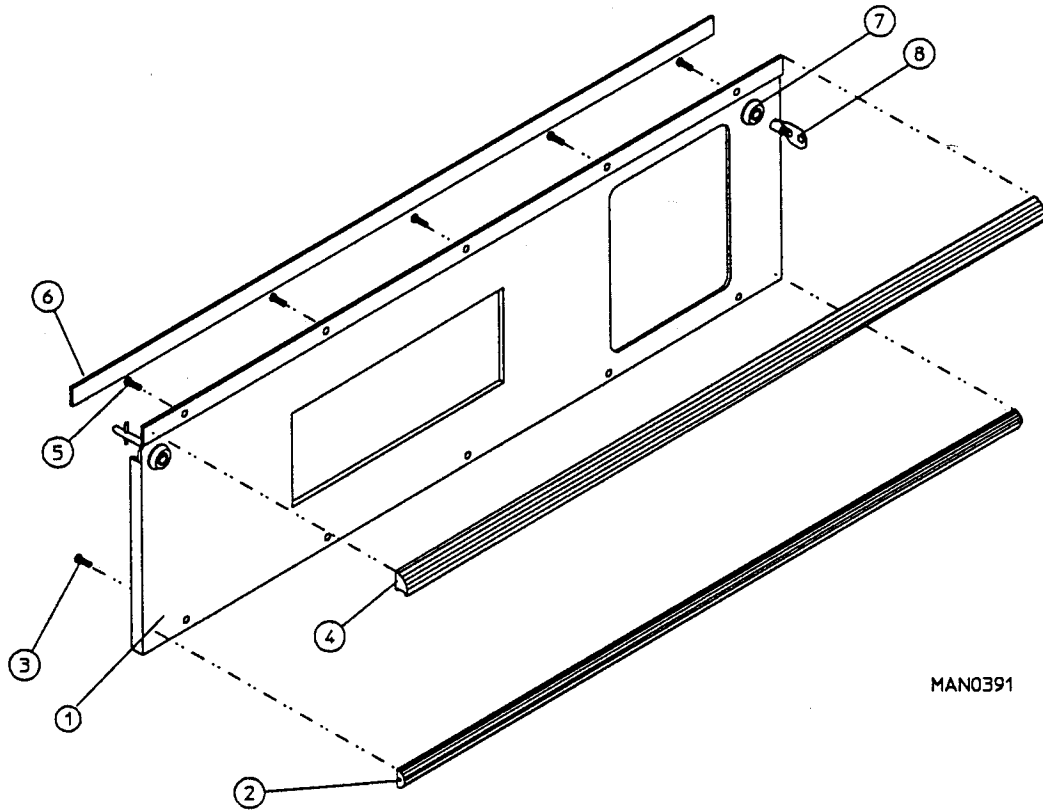
For Models Mfd. as of December 10, 1991



Illus. No.	Part Number	Qty.	Description
1	880191*	1	AD-320 (3-leg) OPL Control Door Assembly Complete less Locks (includes illus. nos. 1 through 6).
	880189	1	AD-320 (3-leg) Stainless Steel OPL Control Door Complete less Locks (includes illus. nos. 1 through 6)
2	180315	1	AD-320 Lower Door Trim (29-11/16" length)
3	150310	5	#8 x 1/2" Phillips Pan Head "A" Screw
4	180316	1	AD-320 Upper Door Trim (29-11/16" length)
5	150310	5	#8 x 1/2" Phillips Pan Head "A" Screw
6	117600	5	Noise Suppressor Tape (sold in feet)
7	160040	2	ACE® Lock Assembly Only
8	160140	--	ACE® Key Only (key number XX4451)

* Specify color when ordering.

For Model Mfd. Prior to December 10, 1991

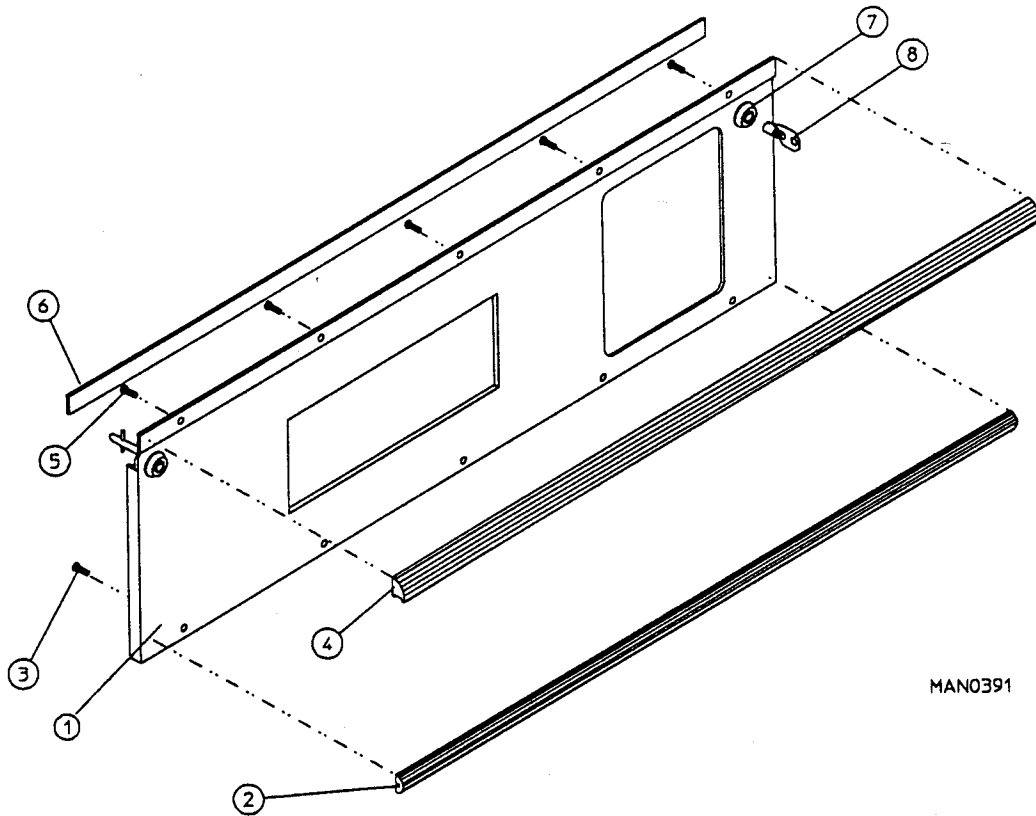


MAN0391

Illus. No.	Part Number	Qty.	Description
1	880177*	1	AD-330 (2-leg) Coin Control Door Assembly Complete less Locks (includes illus. nos. 1 through 6)
	880179	1	AD-330 (2-leg) Stainless Steel Coin Control Door Complete less Locks (includes illus. nos. 1 through 6)
2	180315	1	AD-330 Lower Door Trim (29-11/16" length)
3	150310	5	#8 x 1/2" Phillips Pan Head "A" Screw
4	180316	1	AD-330 Upper Door Trim (29-11/16" length)
5	150310	5	#8 x 1/2" Phillips Pan Head "A" Screw
6	117600	5	Noise Suppressor Tape (sold in feet)
7	160040	2	ACE® Lock Assembly Only
8	160140	--	ACE® Key Only (key number XX4451)

* Specify color when ordering.

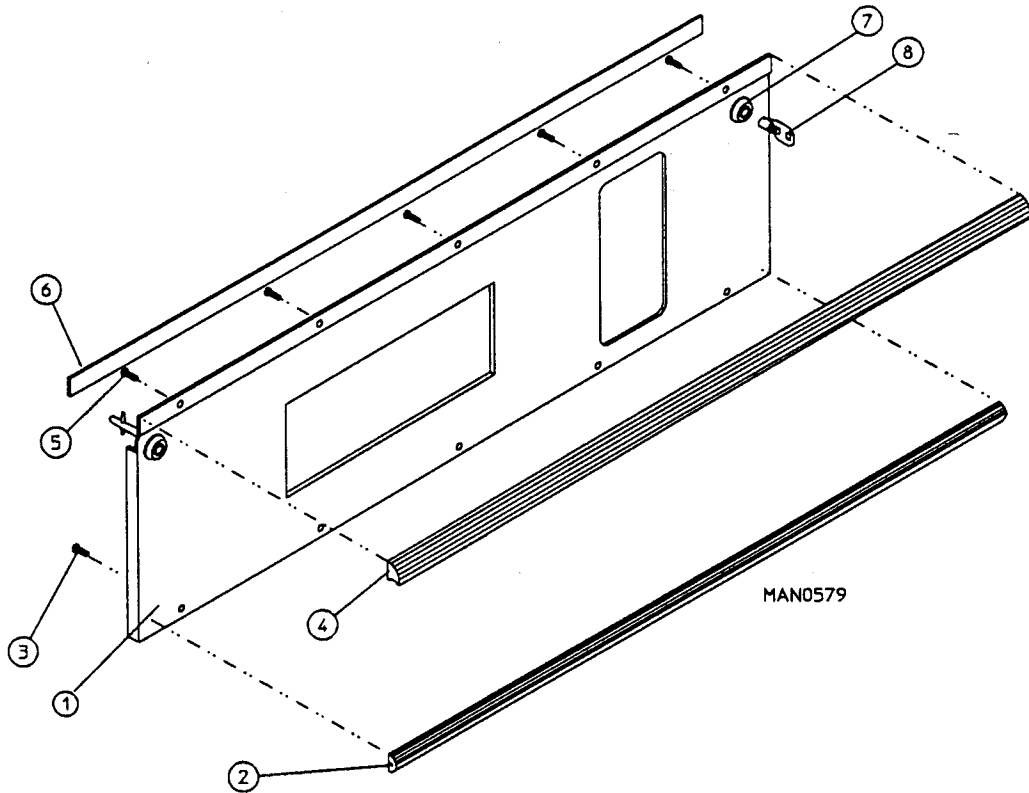
For Models Mfd. Prior to December 10, 1991



Illus. No.	Part Number	Qty.	Description
1	880228*	1	AD-320 (2-leg) <u>Coin</u> Control Door Assembly Complete less Locks (includes illus. nos. 1 through 6)
	880187	1	AD-320 (2-leg) Stainless Steel <u>Coin</u> Control Door Complete less Locks (includes illus. nos. 1 through 6)
2	180315	1	AD-320 Lower Door Trim (29-11/16" length)
3	150310	5	#8 x 1/2" Phillips Pan Head "A" Screw
4	180316	1	AD-320 Upper Door Trim (29-11/16" length)
5	150310	5	#8 x 1/2" Phillips Pan Head "A" Screw
6	117600	5	Noise Suppressor Tape (sold in feet)
7	160040	2	ACE® Lock Assembly Only
8	160140	—	ACE® Key Only (key number XX4451)

* Specify color when ordering.

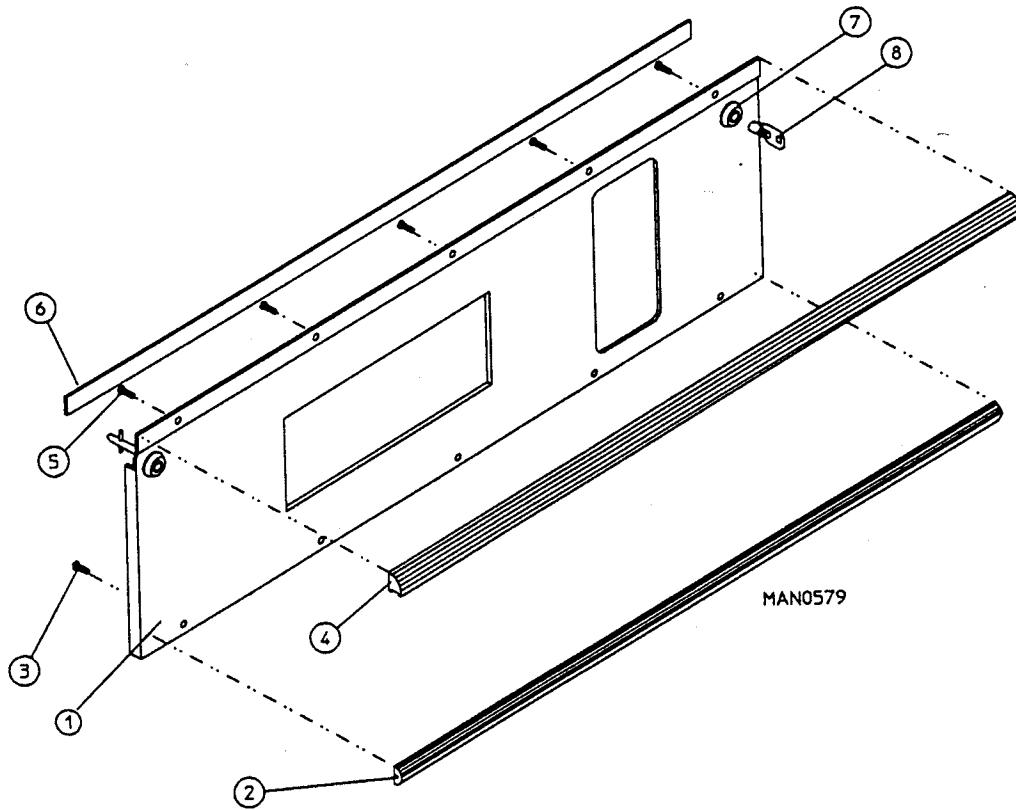
For Models Mfd. Prior to December 10, 1991



Illus. No.	Part Number	Qty.	Description
1	880178*	1	AD-330 (2-leg) OPL Control Door Assembly Complete less Locks (includes illus. nos. 1 through 6).
	880181	1	AD-330 (2-leg) Stainless Steel OPL Control Door Complete less Locks (includes illus. nos. 1 through 6)
2	180315	1	AD-330 Lower Door Trim (29-11/16" length)
3	150310	5	#8 x 1/2" Phillips Pan Head "A" Screw
4	180316	1	AD-330 Upper Door Trim (29-11/16" length)
5	150310	5	#8 x 1/2" Phillips Pan Head "A" Screw
6	117600	5	Noise Suppressor Tape (sold in feet)
7	160040	2	ACE® Lock Assembly Only
8	160140	-	ACE® Key Only (key number XX4451)

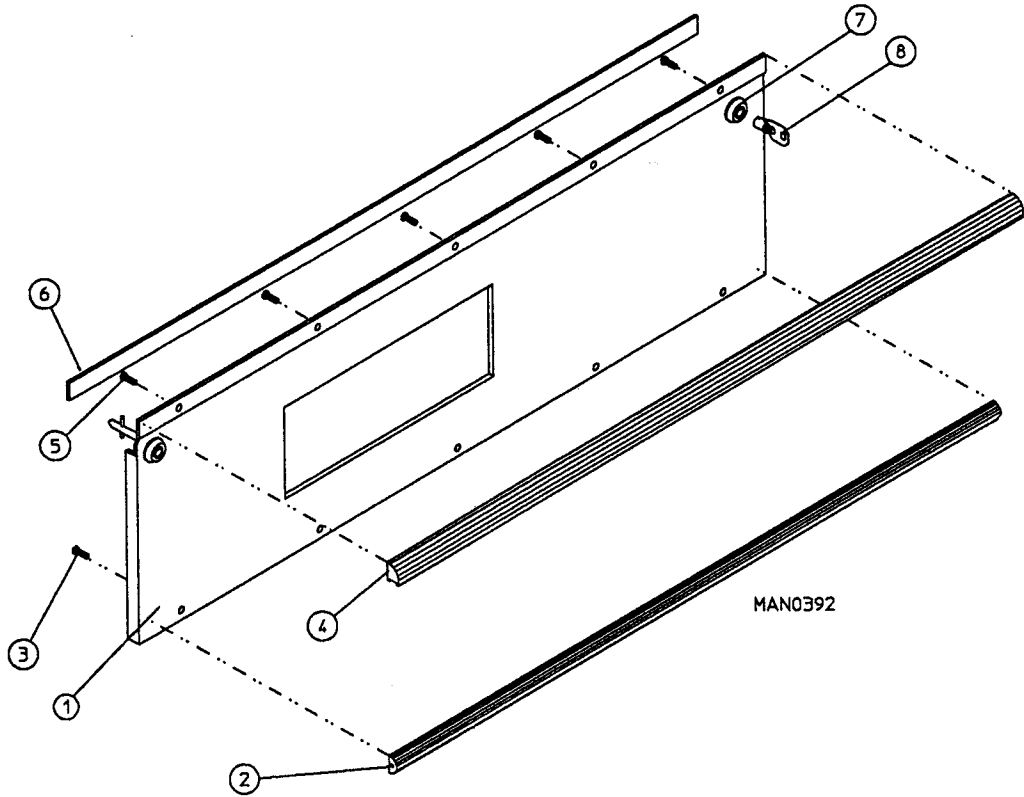
* Specify color when ordering.

For Models Mfd. Prior to December 10, 1991



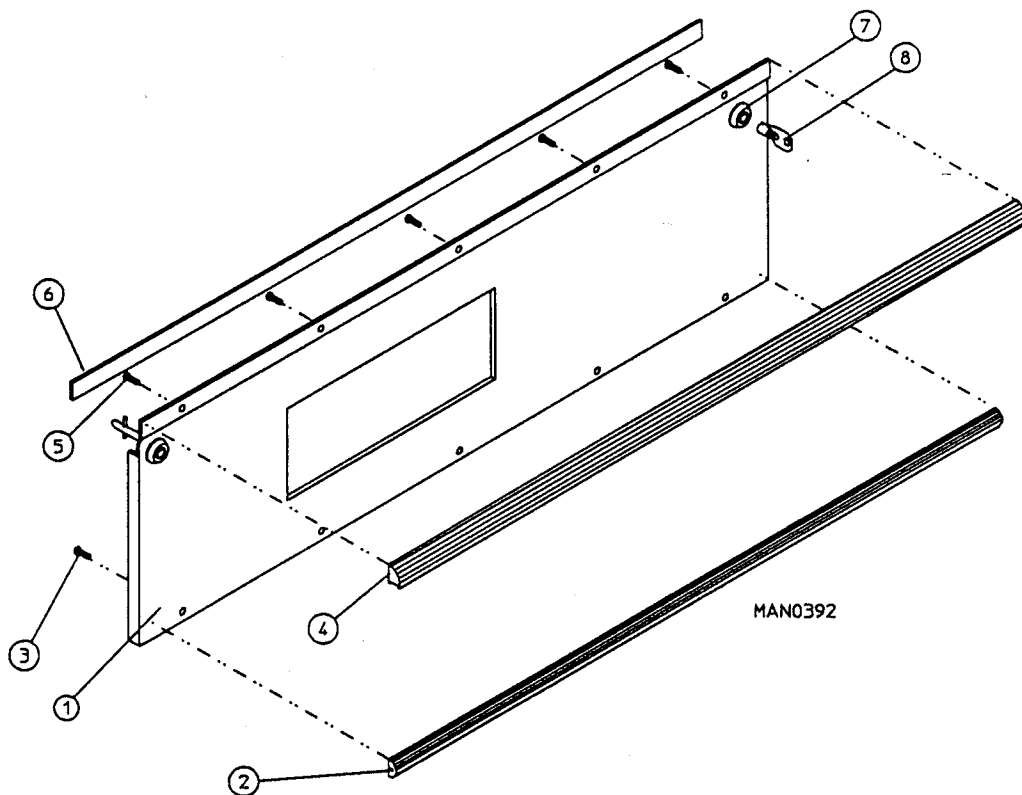
Illus. No.	Part Number	Qty.	Description
1	880194*	1	AD-320 (2-leg) OPL Control Door Assembly Complete less Locks (includes illus. nos. 1 through 6).
	880188	1	AD-320 (2-leg) Stainless Steel OPL Control Door Complete less Locks (includes illus. nos. 1 through 6)
2	180315	1	AD-320 Lower Door Trim (29-11/16" length)
3	150310	5	#8 x 1/2" Phillips Pan Head "A" Screw
4	180316	1	AD-320 Upper Door Trim (29-11/16" length)
5	150310	5	#8 x 1/2" Phillips Pan Head "A" Screw
6	117600	5	Noise Suppressor Tape (sold in feet)
7	160040	2	ACE® Lock Assembly Only
8	160140	-	ACE® Key Only (key number XX4451)

* Specify color when ordering.



Illus. No.	Part Number	Qty.	Description
1	880175*	1	AD-330 Lint Door Assembly Complete less Locks (includes illus. nos. 1 through 6)
	880176	1	AD-330 Stainless Steel Lint Door Complete less Locks (includes illus. nos. 1 through 6)
2	180315	1	AD-330 Lower Door Trim (29-11/16" length)
3	150310	5	#8 x 1/2" Phillips Pan Head "A" Screw
4	180316	1	AD-330 Upper Door Trim (29-11/16" length)
5	150310	5	#8 x 1/2" Phillips Pan Head "A" Screw
6	117600	5	Noise Suppressor Tape (sold in feet)
7	160040	2	ACE® Lock Assembly Only
8	160140	--	ACE® Key Only (key number XX4451)

* Specify color when ordering.



Illus. No.	Part Number	Qty.	Description
1	880246*	1	AD-320 Lint Door Assembly Complete less Locks (includes illus. nos. 1 through 6)
	880195	1	AD-320 Stainless Steel Lint Door Complete less Locks (includes illus. nos. 1 through 6)
2	180315	1	AD-320 Lower Door Trim (29-11/16" length)
3	150310	5	#8 x 1/2" Phillips Pan Head "A" Screw
4	180316	1	AD-320 Upper Door Trim (29-11/16" length)
5	150310	5	#8 x 1/2" Phillips Pan Head "A" Screw
6	117600	5	Noise Suppressor Tape (sold in feet)
7	160040	2	ACE® Lock Assembly Only
8	160140	-	ACE® Key Only (key number XX4451)

* Specify color when ordering.

