



AD-26 / AD-295 Parts Manual
24 VAC Phase 5
1992 thru 1998

American Dryer Corporation
88 Currant Road
Fall River, MA 02720-4781
Telephone: (508) 678-9010 / Fax: (508) 678-9447
E-mail: techsupport@amdry.com

Retain This Manual In A Safe Place For Future Reference

American Dryer Corporation products embody advanced concepts in engineering, design, and safety. If this product is properly maintained, it will provide many years of safe, efficient, and trouble-free operation.

ONLY properly licensed technicians should service this equipment.

OBSERVE ALL SAFETY PRECAUTIONS displayed on the equipment or specified in the installation/operator's manual included with the dryer.

WARNING: UNDER NO CIRCUMSTANCES should the door switch or the heat circuit devices ever be disabled.

WARNING: The dryer *must never* be operated with any of the back guards, outer tops, or service panels removed. PERSONAL INJURY or FIRE COULD RESULT.

We have tried to make this manual as complete as possible and hope you will find it useful. ADC reserves the right to make changes from time to time, without notice or obligation, in prices, specifications, colors, and material, and to change or discontinue models.

Important

For your convenience, log the following information:

DATE OF PURCHASE _____ MODEL NO. _____

DISTRIBUTORS NAME _____

Serial Number(s) _____

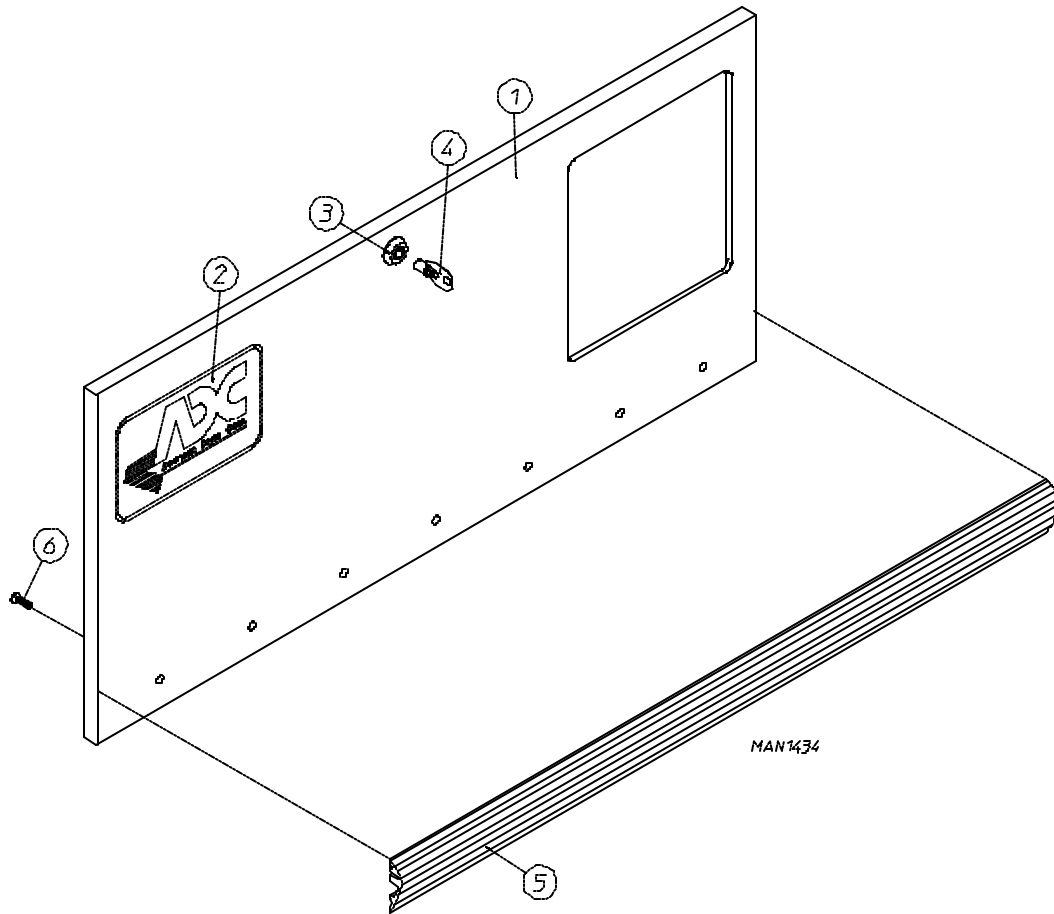
Replacement parts can be obtained from your distributor or the ADC factory. When ordering replacement parts from the factory, you can FAX your order to ADC at (508) 678-9447 or telephone your orders directly to the ADC Parts Department at (508) 678-9010. Please specify the dryer **model number** and **serial number** in addition to the **description** and **part number**, so that your order is processed accurately and promptly. The illustrations on the following pages may not depict your particular dryer exactly.

The illustrations are a composite of the various dryer models. Be sure to check the descriptions of the parts thoroughly before ordering.

INSTRUCTIONS TO BE FOLLOWED IN THE EVENT THE USER SMELLS GAS MUST BE POSTED IN A PROMINENT LOCATION. THE INSTRUCTIONS TO BE POSTED SHALL BE OBTAINED FROM THE LOCAL GAS SUPPLIER.

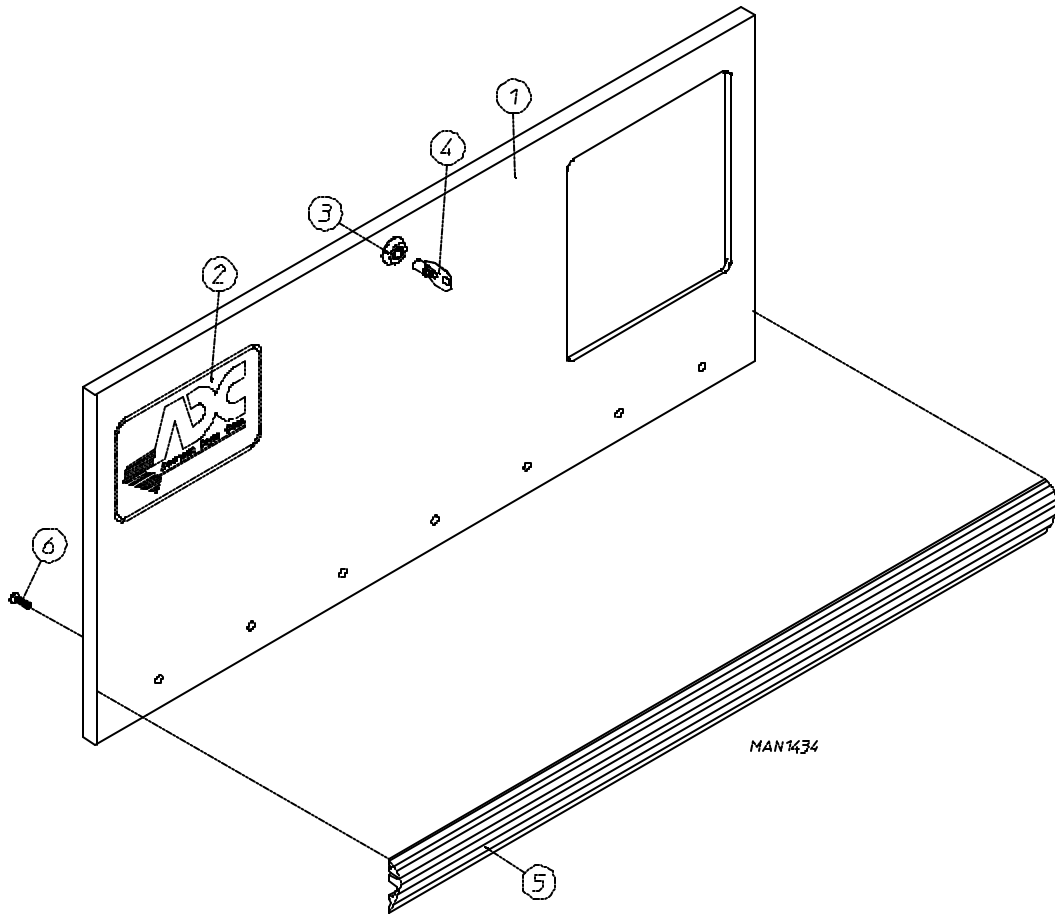
Table of Contents

AD-26 / AD-295 Coin Control Door Assembly	2
AD-26 / AD-295 OPL Control Door Assembly	3
AD-26 / AD-295 Dual Timer Control Door Assembly	4
AD-26 / AD-295 Single Coin Microprocessor Control Panel Assembly for Single Coin 25¢ Models ONLY	5
AD-26 / AD-295 Dual Coin Microprocessor Control Panel Assembly	6
AD-26 / AD-295 OPL Microprocessor Control Panel Assembly	7
AD-26 / AD-295 Microprocessor Control Box Assembly	8
AD-26 / AD-295 25¢ Coin Acceptor Listing	9
AD-26 / AD-295 Dual Coin Acceptor Listing for Export Models ONLY	10, 11
Dual Timer Control Panel Assembly	12
Non-Microprocessor Coin Control Panel Assembly	13
Non-Microprocessor Control Box Assembly	14
Main Door Assembly	15
Main Door Switch Assembly	16
AD-26 / AD-295 Coin Vault Assembly	17
AD-26 / AD-295 Coin Front Panel Assembly	18
AD-26 / AD-295 OPL Front Panel Assembly	19
AD-26 / AD-295 Lint Door Assembly	20
AD-26 / AD-295 Lint Basket / Lint Switch Assemblies	21
AD-26 Basket (Tumbler) / Support Assemblies	22
AD-295 Basket (Tumbler) / Support Assemblies	23
AD-26 / AD-295 Basket (Tumbler) Brush Assembly	24
AD-26 / 295 Microprocessor Temperature Sensor Bracket Assembly	25
AD-26 / 295 Non-Microprocessor Temperature Sensor Bracket Assembly	26
Sail Switch Assembly	27
Tumbler Bearing Assembly	28, 29
AD-26 / AD-295 Totally Enclosed, Non-Vent Motor / Idler Assemblies	30, 31
ADG-26 / ADG-295 Upshot Burner Assembly	32, 33
AD-26 / AD-295 Back Guard Assembly	34
AD-26 / AD-295 12-Rib 120" (J) Poly Belt Arrangement	35
ADG-26 / ADG-295 Upshot Burner Assembly Specifications	36
Additional Parts Available	37



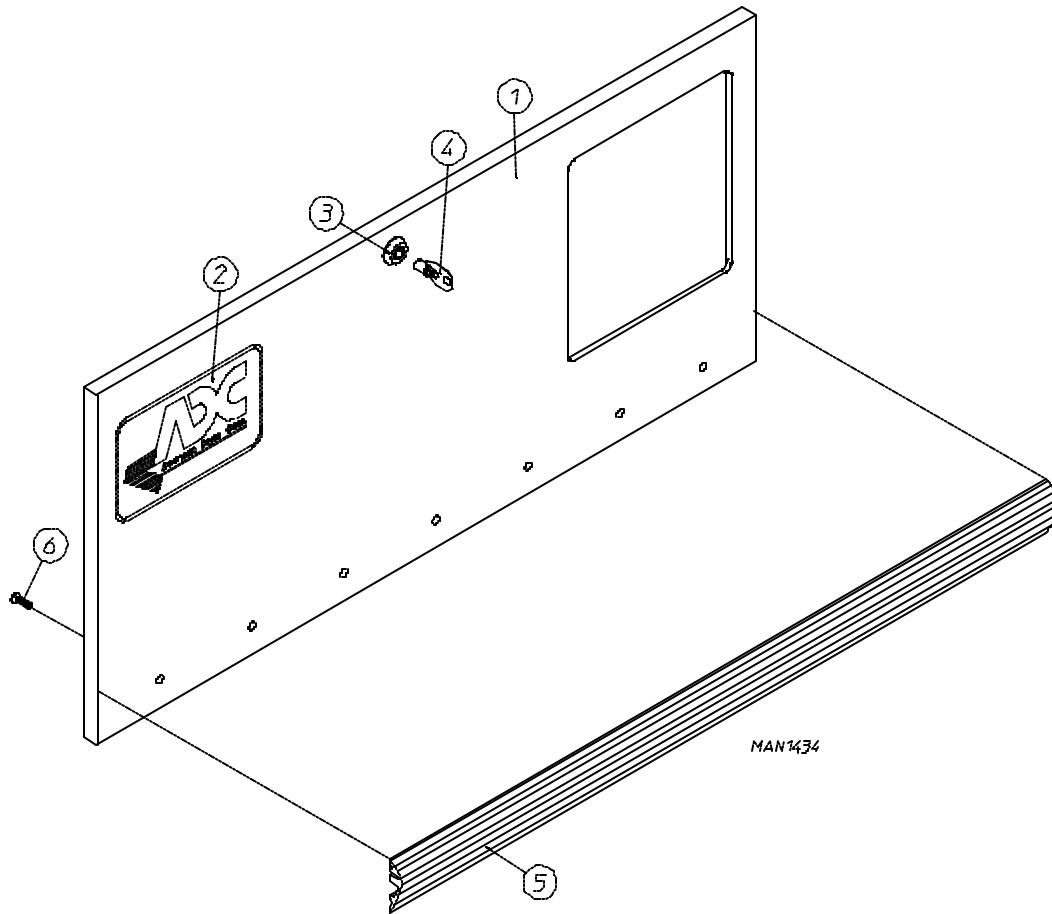
<u>Illus. No.</u>	<u>Part No.</u>	<u>Qty.</u>	<u>Description</u>
1	880236*	1	AD-26/AD-295 Coin Control Door with Trim Less Locks (includes illus. nos. 1, 5, and 6)
	850414*	1	AD-26/AD-295 Coin Control Door ONLY
2	112350	1	ADC Logo ONLY
	870011	1	Logo Double Stick Tape Kit
3	160040	1	ACE® Lock Assembly ONLY
4	160140	-	ACE® Key ONLY (key number XX4451)
5	180315	1	AD-26/AD-295 Lower Control Door Trim
6	150310	5	#8 x 1/2" Phillips Pan Head "A" Screw

* Specify color when ordering.



<u>Illus. No.</u>	<u>Part No.</u>	<u>Qty.</u>	<u>Description</u>
1	880918*	1	AD-26/AD-295 OPL Control Door with Trim Less Locks (includes illus. nos. 1, 5, and 6)
	880917*	1	AD-26/AD-295 OPL Control Door ONLY
2	112350	1	ADC Logo ONLY
	870011	1	Logo Double Stick Tape Kit
3	160040	1	ACE® Lock Assembly ONLY
4	160140	-	ACE® Key ONLY (key number XX4451)
5	180315	1	AD-26/AD-295 Lower Control Door Trim
6	150310	5	#8 x 1/2" Phillips Pan Head "A" Screw

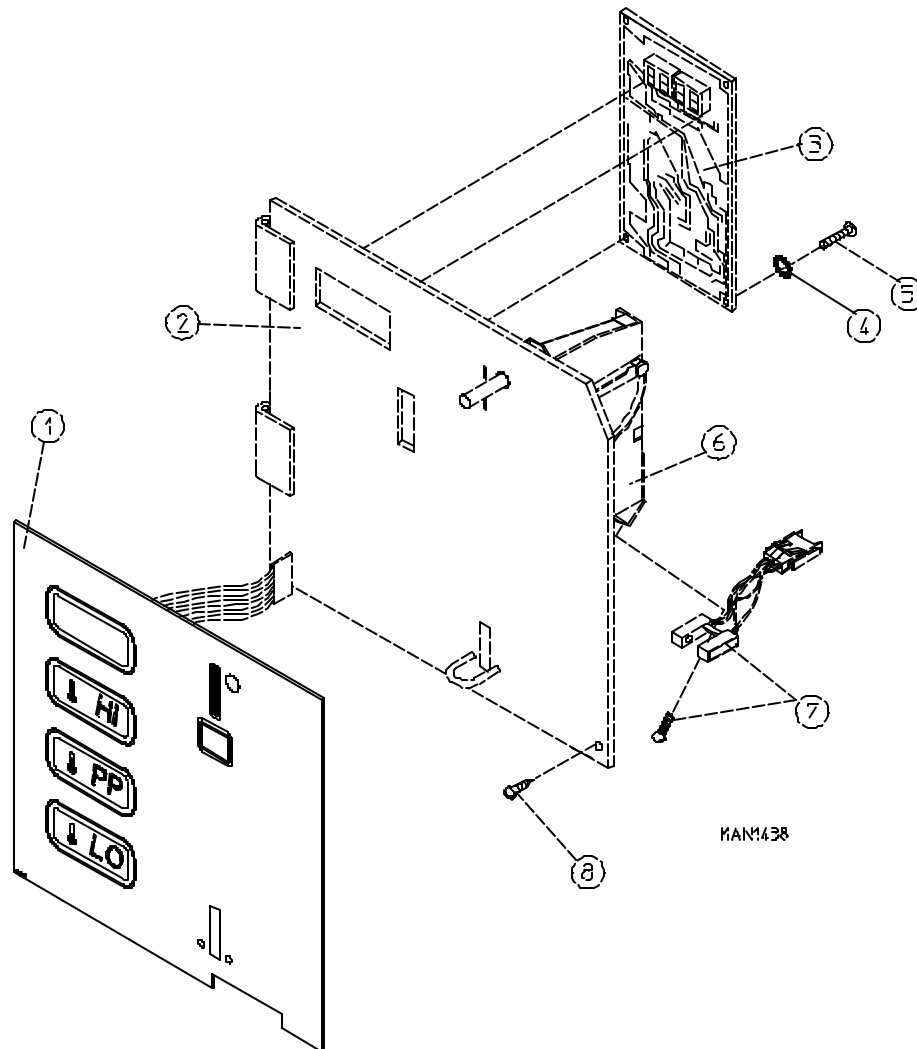
* Specify color when ordering.



<u>Illus. No.</u>	<u>Part No.</u>	<u>Qty.</u>	<u>Description</u>
1	880773*	1	AD-26/AD-295 Coin Control Door with Trim Less Locks (includes illus. nos. 1, 5, and 6)
	850415*	1	AD-26/AD-295 Coin Control Door ONLY
2	112350	1	ADC Logo ONLY
	870011	1	Logo Double Stick Tape Kit
3	160040	1	ACE® Lock Assembly ONLY
4	160140	-	ACE® Key ONLY (key number XX4451)
5	180315	1	AD-26/AD-295 Lower Control Door Trim
6	150310	5	#8 x 1/2" Phillips Pan Head "A" Screw

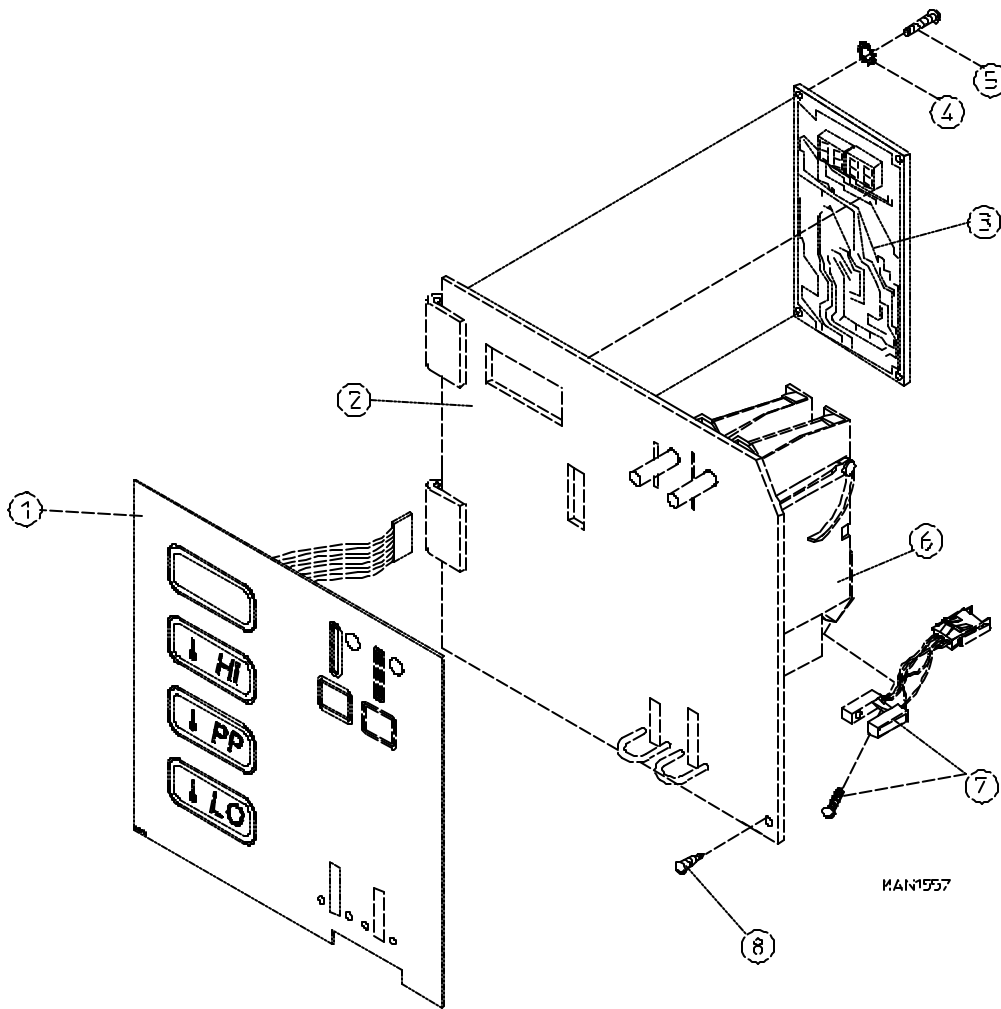
* Specify color when ordering.

for Single Coin 25¢ Models ONLY



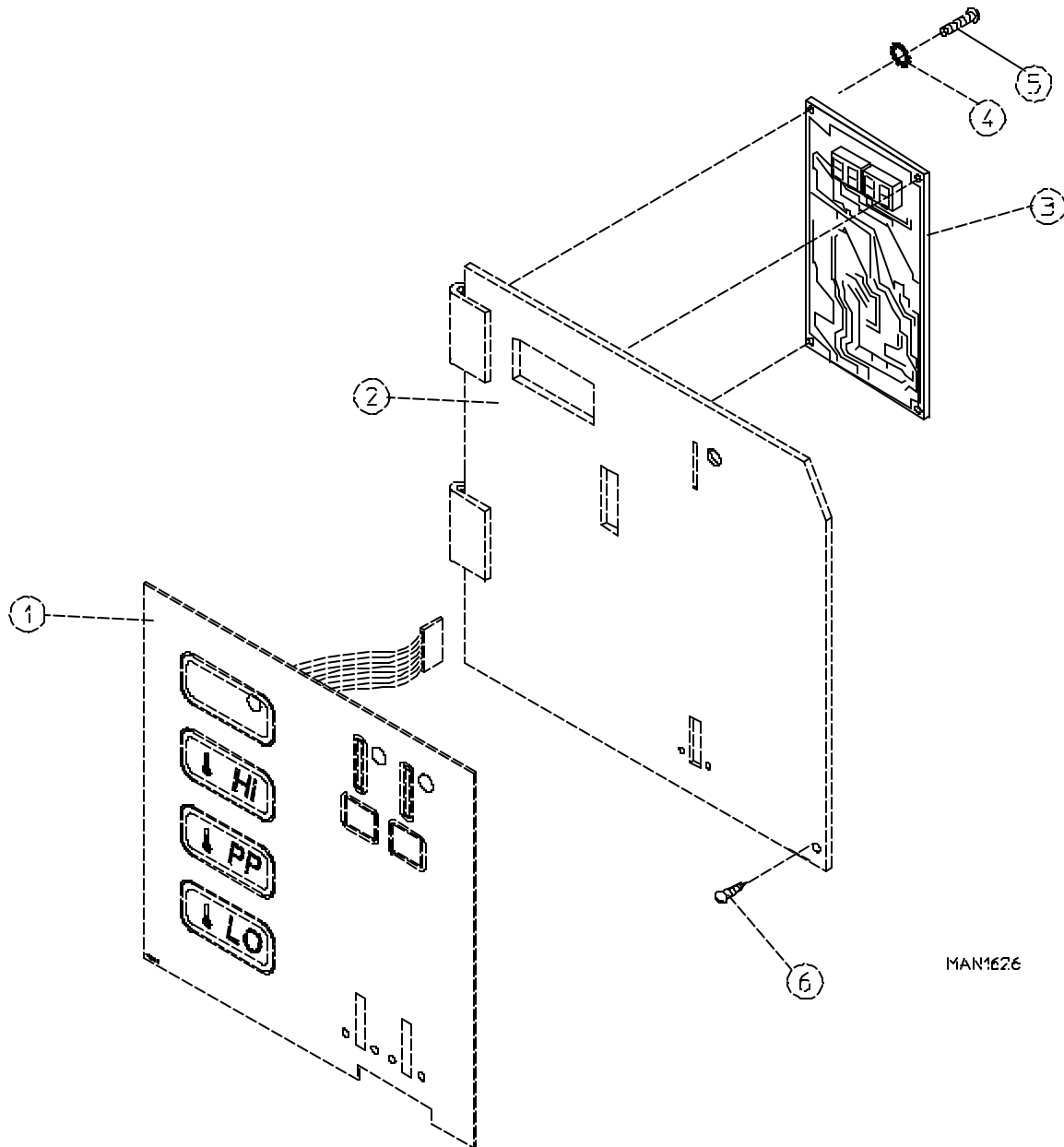
<u>Illus. No.</u>	<u>Part No.</u>	<u>Qty.</u>	<u>Description</u>
1	112560	1	AD-26/AD-295 Single Coin Keypad Label ONLY
2	880887	1	AD-26/AD-295 Single Coin Panel Control less Acceptor - 24 VAC (includes illus. nos. 1 through 5)
	880888	1	AD-26/AD-295 Control Panel ONLY
3	137216	1	AD-26/AD-295 Phase 5 Microprocessor Controller ONLY
	824998	1	Phase 5 Battery Clip ONLY
4	153010	2	#6 Star Washer
5	150005	2	#6-32 x 1/4" Phillips Round Head Machine Screw
6	-----	1	25¢ Coin Acceptor ONLY (refer to AD-26/AD-295 Coin Acceptor Component Listing on page 9)
7	137056	1	Optical Switch ONLY
8	150415	1	#10-16 x 1/2" Phillips Round Head Crimpite Screw

NOTE: Contact factory for export models.

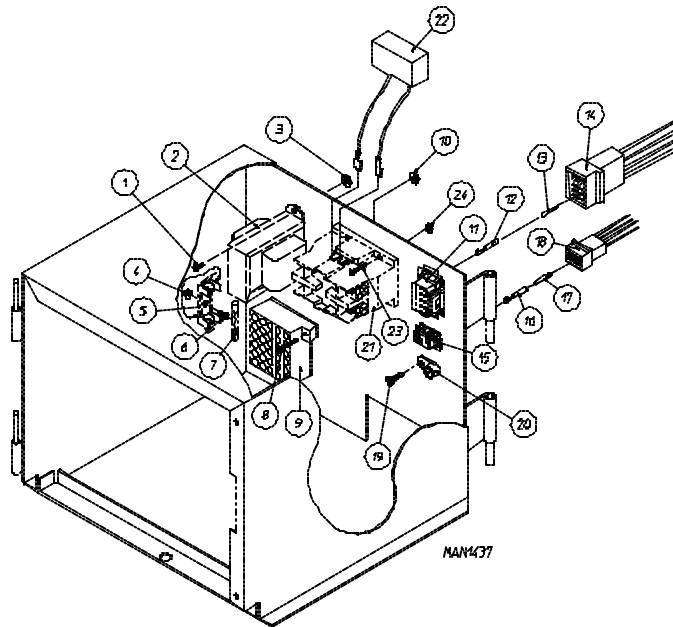


<u>Illus. No.</u>	<u>Part No.</u>	<u>Qty.</u>	<u>Description</u>
1	112560	1	AD-26/AD-295 Dual Coin Keypad Label ONLY
2	880906	1	AD-26/AD-295 Dual Coin Panel Control less Acceptor - 24 VAC (includes illus. nos. 1 through 5)
	880904	1	AD-26/AD-295 Dual Coin Control Panel ONLY
3	137216	1	AD-26/AD-295 Phase 5 Control Microprocessor ONLY
	824998	1	Phase 5 Battery Clip ONLY
4	153010	2	#6 Star Washer
5	150005	2	#6-32 x 1/4" Phillips Round Head Machine Screw
6	-----	1	Dual Coin Acceptor ONLY (refer to AD-26/AD-295 Dual Coin Acceptor Component Listing on page 10 and page 11)
7	137056	2	Optical Switch ONLY
8	150415	1	#10-16 x 1/2" Phillips Round Head Crimp Srew

NOTE: Contact factory for export models.



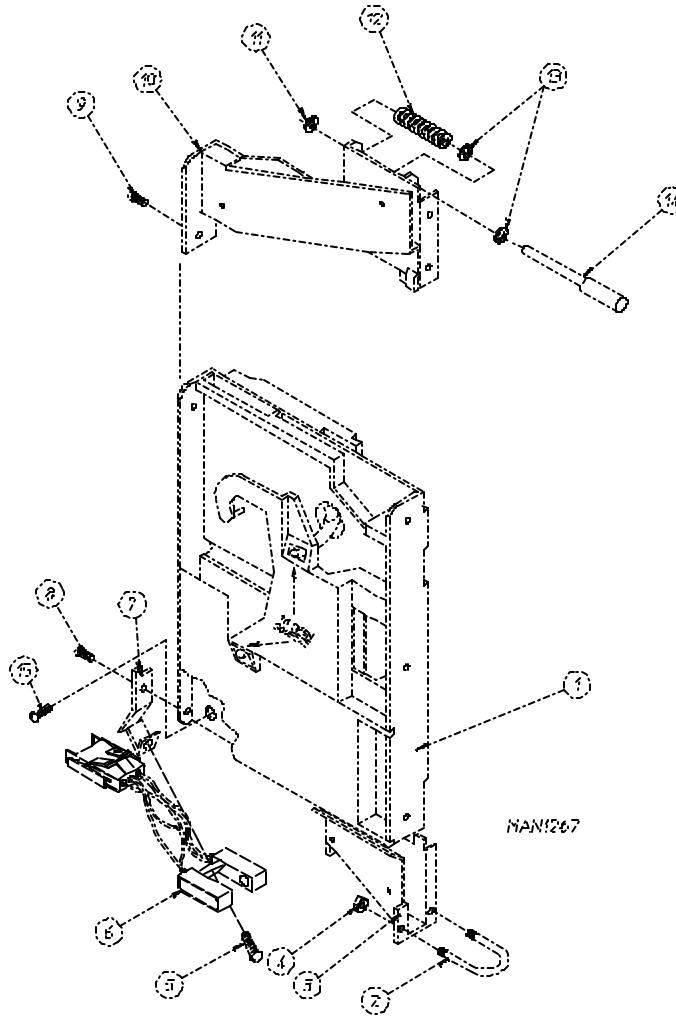
<u>Illus. No.</u>	<u>Part No.</u>	<u>Qty.</u>	<u>Description</u>
1	112560	1	AD-26/AD-295 Dual Coin Twin-Keypad Label ONLY
2	880905	1	AD-26/AD-295 OPL Control Panel Assembly Complete - 24 VAC (includes illus. nos. 1 through 5)
	880916	1	AD-26 /AD-295 OPL Control Panel ONLY
3	137222	1	Phase 5 OPL Computer Board ONLY
	824998	1	Phase 5 Battery Clip ONLY
4	153010	2	#6 Star Washer
5	150005	2	#6-32 x 1/4" Phillips Round Head Machine Screw



<u>Illus. No.</u>	<u>Part No.</u>	<u>Qty.</u>	<u>Description</u>
1	150103	2	#8-32 x 3/4" Phillips Round Head Machine Screw
2	141403	1	24 VAC Transformer ONLY
3	151001	2	#8-32 Pal Nut
4	151000	*	#6-32 Pal Nut
5	136008	*	3-Position Fuse Block
6	150002	*	#6-32 x 1" Phillips Round Head Machine Screw
7**	136057	*	1/2-Amp (Slo Blo) Fuse ONLY
8	150002	2	#6-32 x 1" Phillips Round Head Machine Screw
9	120715	1	30-Position Terminal Block
10	151000	2	#6-32 Pal Nut
11	122626	1	15-Pin Socket Connector ONLY
12	122705	11	Socket Terminal ONLY
13	122704	11	Pin Terminal ONLY
14	122625	1	15-Pin Socket Connector ONLY
	137025	1	6/15 Position Starin Relief ... Not Illustrated
15	122631	1	6-Pin Socket Connector ONLY
16	122705	3	Socket Terminal Only
17	122704	3	Pin Terminal Only
18	122630	1	6-Pin Connector Only
	137025	1	6/15 Position Starin Relief ... Not Illustrated
19	150415	1	#10-16 x 1/2" Phillips Round Head Crimptite Screw
20	121010	1	L-70 Ground Lug
21	132451	1	2-Pole Contactor
22	824828	1	RC Network with Connectors
23	150103	4	#8-32 x 3/4" Phillips Round Head Machine Screw
24	151001	4	#8-32 Pal Nut

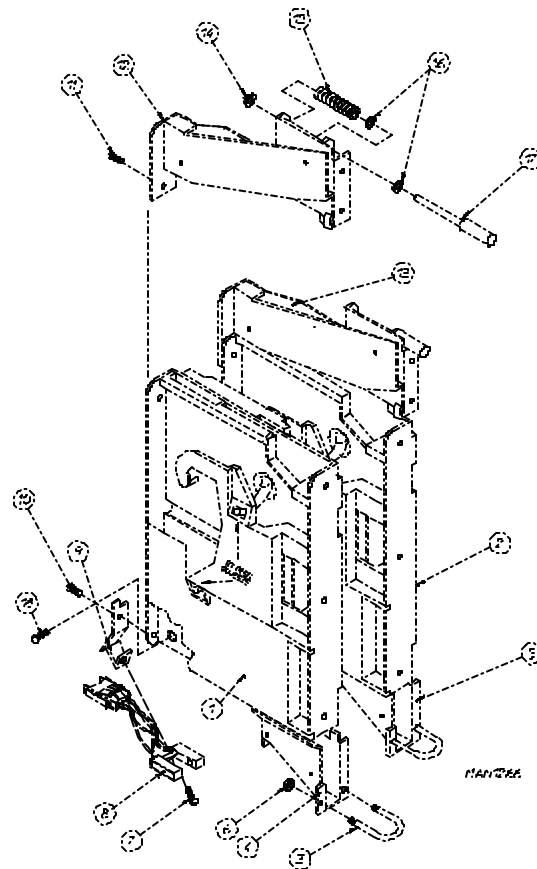
* For 115 VAC application quantity is 1 and for 208/230 VAC application quantity is 2.

** Check fuse rating for verification.



<u>Illus. No.</u>	<u>Part No.</u>	<u>Qty.</u>	<u>Description</u>
1	125707	1	AD-26/AD-295 25¢ Coin Acceptor Body ONLY
2	154320	1	#4-40 x 11/16" x 1" U-Bolt ONLY
3	880800	1	AD-26/AD-295 25¢ Coin Acceptor Lower Reject with Bracket Kit (includes illus. nos. 3 and 15)
	125720	1	AD-26/AD-295 25¢ Coin Acceptor Lower Reject with Bracket ONLY
4	152016	2	#4-40 Hex Nut
5	150020	1	#4-40 x 5/16" Slotted Pan Head Machine Screw
6	137056	1	Optical Switch ONLY
7	137049	1	Optical Switch Mounting Bracket ONLY
8	150020	1	#4-40 x 5/16" Slotted Pan Head Machine Screw
9	150020	1	#4-40 x 5/16" Slotted Pan Head Machine Screw
10	125715	1	AD-26/AD-295 25¢ Coin Acceptor Upper Assembly Complete (includes illus. nos. 10 through 14)
11	125706	1	3/16" Coin Acceptor Retaining Ring ONLY
12	125704	1	Coin Acceptor Spring ONLY
13	125705	2	Coin Acceptor Spacer ONLY
14	125703	1	Coin Acceptor Rod ONLY
15	150110	1	#8-32 x 1/4" Binding Head Phillips Machine Screw

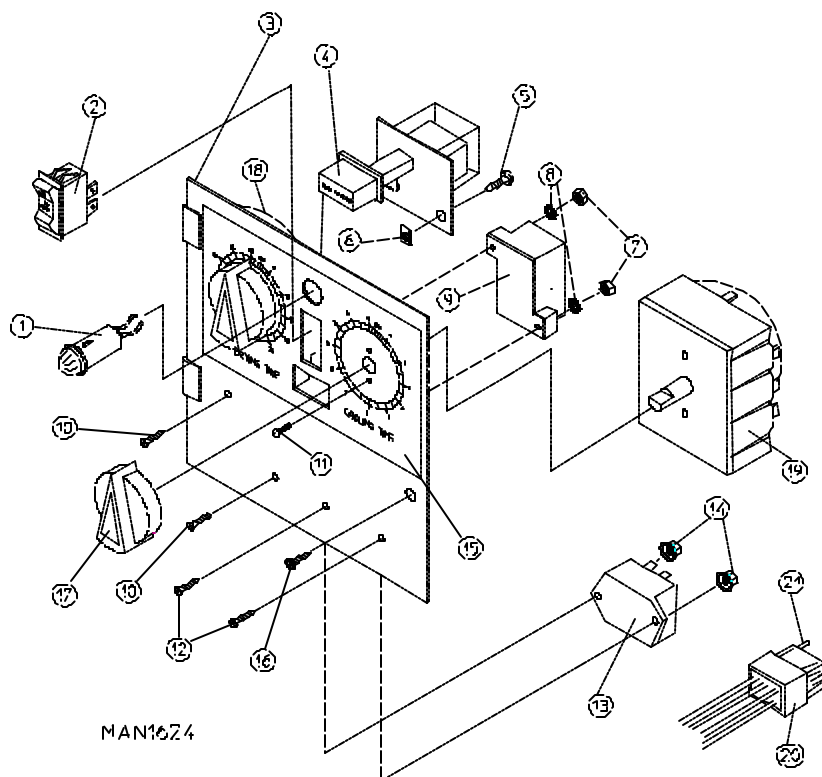
for Export Models ONLY



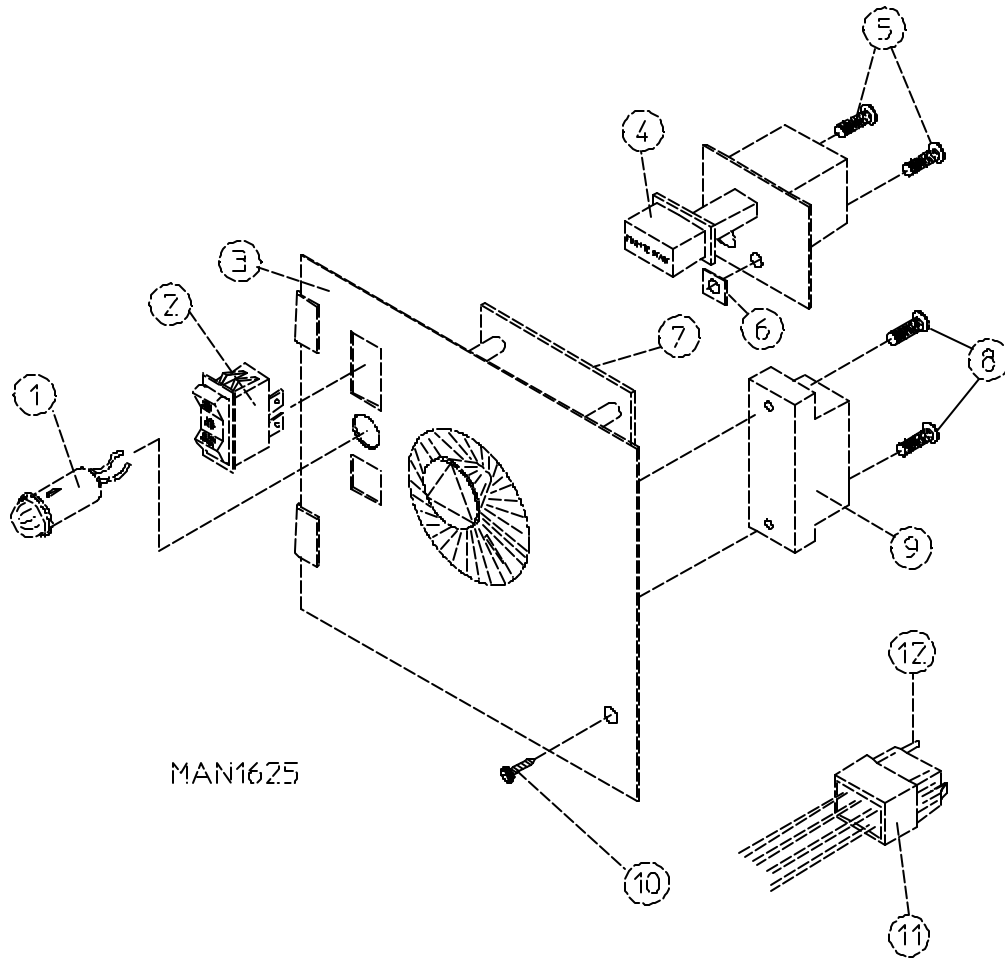
<u>Illus. No.</u>	<u>Part No.</u>	<u>Qty.</u>	<u>Description</u>
1	125726	1	\$1 Canadian Coin Acceptor Body ONLY
	125729	1	50 English Pence (50P) Coin Acceptor Body ONLY
	125730	1	1 English Pound (1£) Coin Acceptor Body ONLY
	125732	1	20 Belgian Franc (20BF) Coin Acceptor Body ONLY
	125735	1	5 French Franc (5FF) Coin Acceptor Body ONLY
	125738	1	10 Danish Krone (10KR) Coin Acceptor Body ONLY
	125740	1	1 Dutch Guilder (1G) Coin Acceptor Body ONLY
	2	125725	1
125728		1	20 English Pence (20P) Coin Acceptor Body ONLY
125731		1	5 Belgian Franc (5BF) Coin Acceptor Body ONLY
125734		1	2 French Franc (2FF) Coin Acceptor Body ONLY
125737		1	5 Danish Krone (5KR) Coin Acceptor Body ONLY
125739		2	25¢ Dutch Guilder Coin Acceptor Body ONLY
3		154320	2
4	880801	1	Large Lower Reject with Bracket Kit (includes illus. nos. 4 and 18)
	125721	1	\$1 Canadian Coin Acceptor Lower Assembly ONLY
		1	50 English Pence (50P) Coin Acceptor Lower Assembly ONLY
		1	1 English Pound (1£) Coin Acceptor Lower Assembly ONLY
		1	20 Belgian Franc (20BF) Coin Acceptor Lower Assembly ONLY
		1	5 French Franc (5 FF) Coin Acceptor Lower Assembly ONLY
		1	10 Danish Krone (10KR) Coin Acceptor Lower Assembly ONLY
		1	1 Dutch Guilder (1G) Coin Acceptor Lower Assembly ONLY

for Export Models ONLY

<u>Illus. No.</u>	<u>Part No.</u>	<u>Qty.</u>	<u>Description</u>
5	880800	1	Small Lower Reject with Bracket Kit (includes illus. nos. 5 and 18)
	125720	1	25¢ Canadian Coin Acceptor Lower Assembly ONLY
		1	20 English Pence (20P) Coin Acceptor Lower Assembly ONLY
		1	5 Belgian Franc (5BF) Coin Acceptor Lower Assembly ONLY
		1	25¢ Dutch Guilder Coin Acceptor Lower Assembly ONLY
	880801	1	Large Lower Reject with Bracket Kit (includes illus. nos. 5 and 18)
	125721	1	2 French Franc (2FF) Coin Acceptor Lower Assembly ONLY
		1	5 Danish Krone (5KR) Coin Acceptor Lower Assembly ONLY
6	152016	4	#4-40 Hex Nut
7	150020	2	#4-40 x 5/16" Slotted Pan Head Machine Screw
8	137056	2	Optical Switch ONLY
9	137049	2	Optical Switch Mounting Bracket
10	150020	2	#4-40 x 5/16" Slotted Pan Head Machine Screw
11	150020	2	#4-40 x 5/16" Slotted Pan Head Machine Screw
12	125716	1	\$1 Canadian Coin Acceptor Upper Assembly Complete (includes illus. nos. 12 and 14 through 17)
		1	50 English Pence (50P) Coin Acceptor Upper Assembly Complete (includes illus. nos. 12 and 14 through 17)
		1	1 English Pound (1£) Coin Acceptor Upper Assembly Complete (includes illus. nos. 12 and 14 through 17)
		1	20 Belgian Franc (20BF) Coin Acceptor Upper Assembly Complete (includes illus. nos. 12 and 14 through 17)
		1	5 French Franc (5FF) Coin Acceptor Upper Assembly Complete (includes illus. nos. 12 and 14 through 17)
		1	10 Danish Krone (10KR) Coin Acceptor Upper Assembly Complete (includes illus. nos. 12 and 14 through 17)
		1	1 Dutch Guilder (1G) Coin Acceptor Upper Assembly Complete (includes illus. nos. 12 and 14 through 17)
13	125715	1	25¢ Canadian Coin Acceptor Upper Assembly Complete (includes illus. nos. 13 through 17)
		1	20 English Pence (20P) Coin Acceptor Upper Assembly Complete (includes illus. nos. 13 through 17)
		1	5 Belgian Franc (5BF) Coin Acceptor Upper Assembly Complete (includes illus. nos. 13 through 17)
		1	25¢ Dutch Guilder Coin Acceptor Upper Assembly Complete (includes illus. nos. 13 through 17)
	125716	1	2 French Franc (2FF) Coin Acceptor Upper Assembly Complete (includes illus. nos. 13 through 17)
		1	5 Danish Krone (5KR) Coin Acceptor Upper Assembly Complete (includes illus. nos. 13 through 17)
14	125706	2	3/16" Coin Acceptor Retainer Ring ONLY
15	125704	2	Coin Acceptor Spring ONLY
16	125705	4	Coin Acceptor Spacer ONLY
17	125703	2	Coin Acceptor Rod ONLY
18	150110	2	#8-32 x 1/4" Binding Head Phillips Machine Screw

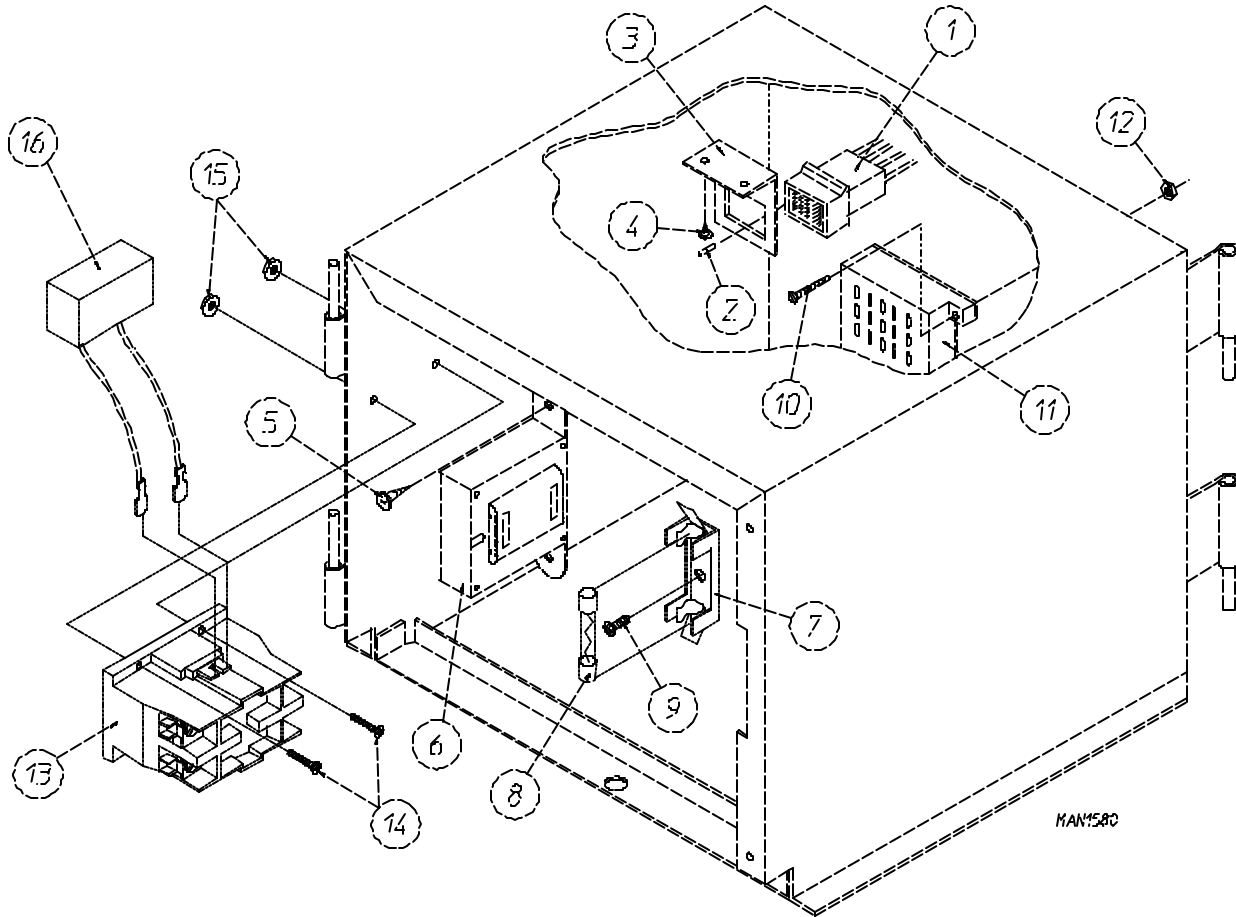


<u>Illus. No.</u>	<u>Part No.</u>	<u>Qty.</u>	<u>Description</u>
1	123005	1	Red Indicator Light - 24 VAC
2	122400	1	Rocker Heat Selector Switch - 24 VAC
3	880774	1	Dual Timer Control Panel Assembly Complete - 24 VAC (includes illus. nos. 1 through 21)
	880920	1	AD-26/AD-295 Dual Timer Control Panel ONLY
4	131917	1	Push-to-Start Relay - 24 VAC
5	150207	2	#10-24 x 1/2" Round Head Machine Screw
6	154001	2	#10-24 Speed Nut
7	152000	2	#6-32 Hex Nut
8	153010	2	#6 Star Washer
9	120730	1	30-Position Terminal Block (for models mfd. as of May 2, 1993)
	120713	1	18-Position Terminal Block (for models mfd. prior to May 2, 1993)
10	150002	2	#6-32 x 1" Round Head Machine Screw
11	150110	4	#8-32 x 1/4" Phillips Head Machine Screw
12	150001	2	#6-32 x 1/2" Round Head Machine Screw
13	131931	1	Dual Timer Relay - 24 VAC
14	151000	2	#6-32 Pal Nut
15	112050	1	Dual Timer Label ONLY
16	150415	1	10-16 x 1/2" Phillips Round Head Crimpite Screw
17	124103	2	Arrow Timer Knob
18	124025	1	60-Minute Timer - 24 VAC
19	124030	1	15-Minute Timer - 24 VAC
20	122602	1	9-Pin Connector ONLY
21	122700	8	Pin Terminal ONLY
---	122801	1	Pin/Socket Extraction Tool



<u>Illus. No.</u>	<u>Part No.</u>	<u>Qty.</u>	<u>Description</u>
1	123005	1	Red Indicator Light - 24 VAC
2	122400	1	Rocket Heat Selector Switch - 24 VAC
3	880900	1	Coin Meter Control Panel Assembly Complete Less Meter - 24 VAC (includes illus. nos. 1 through 6 and 8 through 12)
	880899	1	Coin Meter Control Panel ONLY
4	131917	1	Push-To-Start Relay - 24 VAC
5	150207	2	#10-24 x 1/2" Phillips Round Head Machine Screw
6	154001	2	#10-24 Speed Nut
7*	125601	1	25¢ Coin Meter (Specify Timing) - 24 VAC
8	150303	2	#4 x 3/4" Pan Head "A" Screw
9	120712	1	12-Position Terminal Block
10	150415	1	# 10-16 x 1/2" Phillips Round Head Crimptite Screw
11	122602	1	9-Pin Male Connector ONLY
12	122700	6	Pin Terminal ONLY
—	122801	1	Pin/Extraction Tool

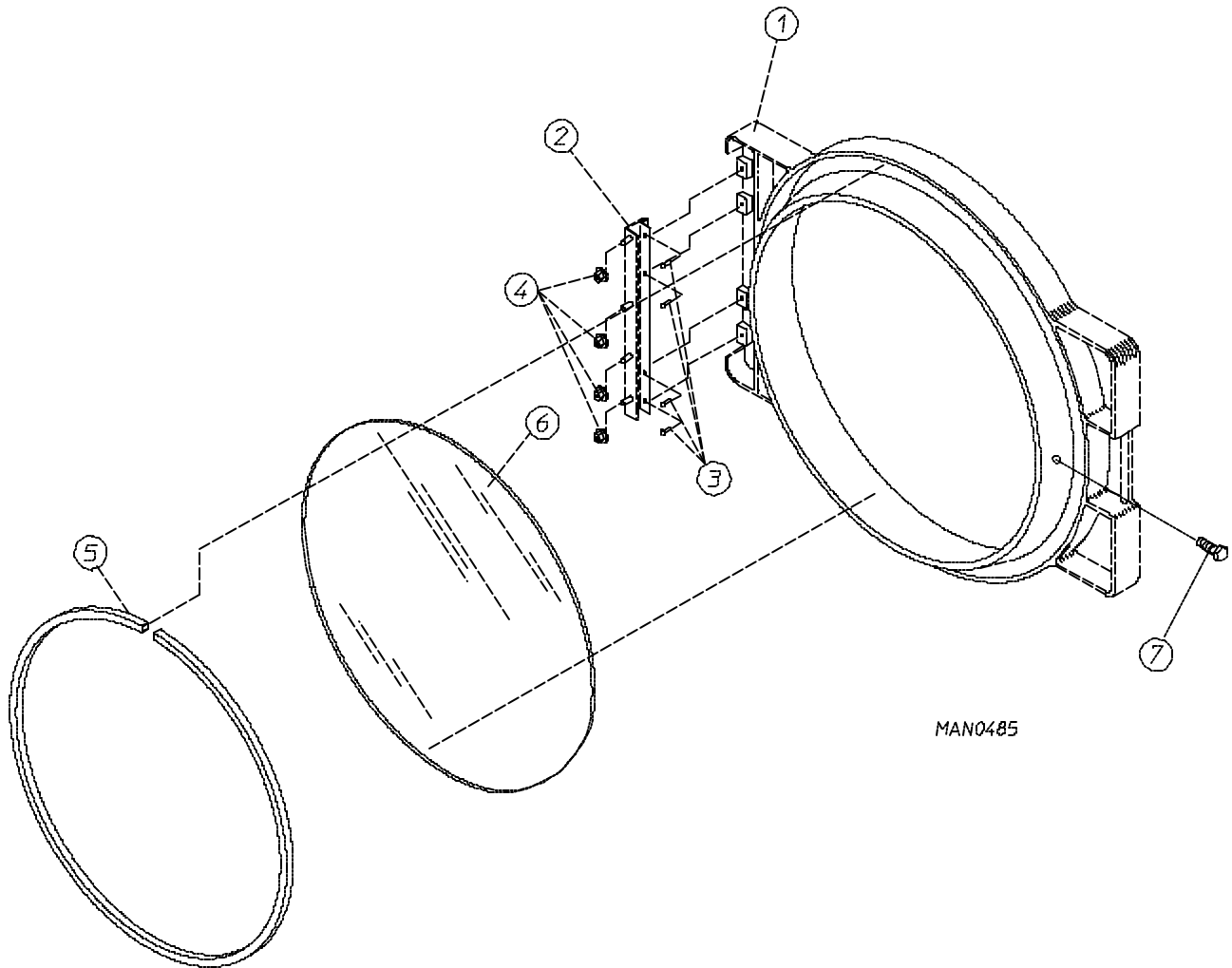
* Consult factory for coin meters not listed.



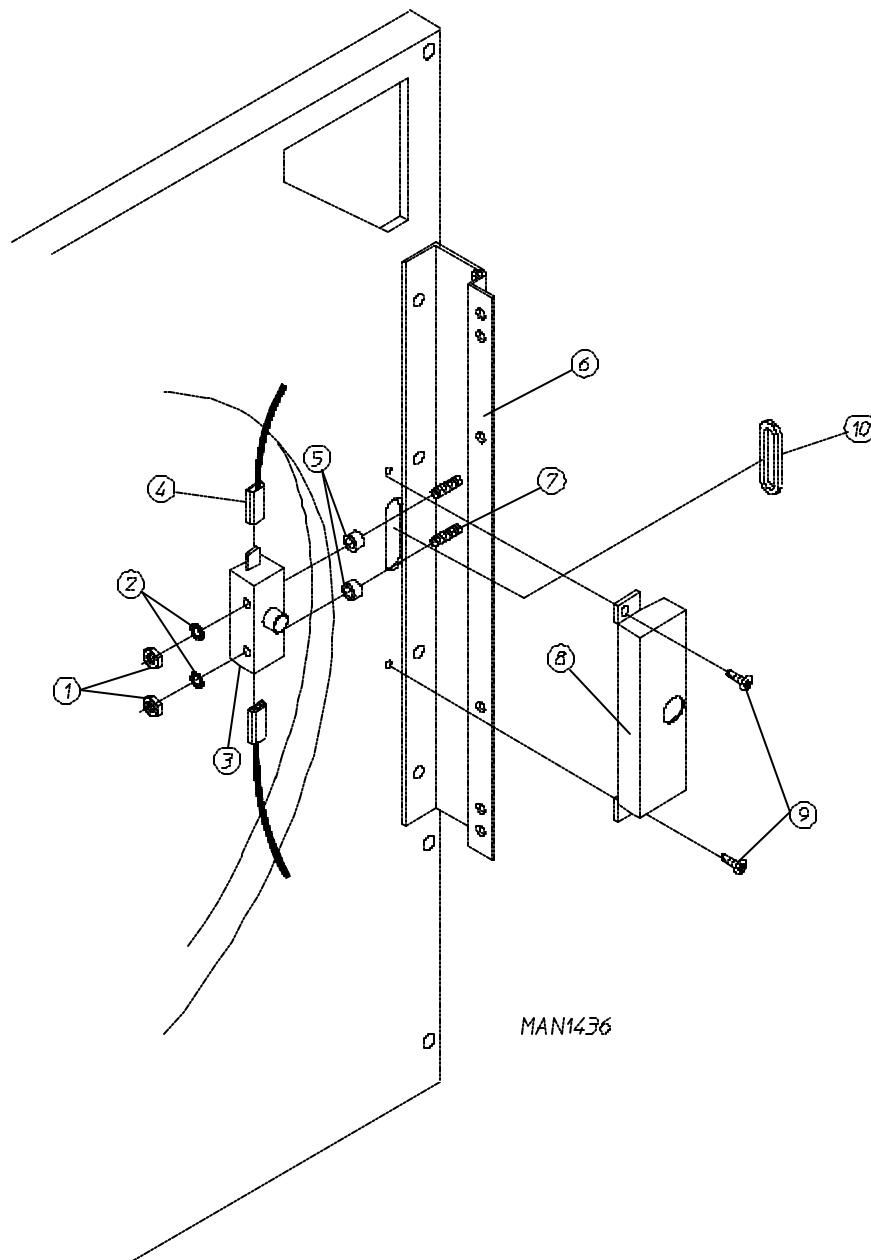
<u>Illus. No.</u>	<u>Part No.</u>	<u>Qty.</u>	<u>Description</u>
1	122603	1	9-Pin Socket Female Connector
2	122701	6	Socket Terminal ONLY
	122801	1	Pin/Socket Extraction Tool
3	315010	1	9-Pin Connector Bracket
4	150300	2	#10 x 1/2" Hex Washer TEK Screw
5	150300	2	#10 x 1/2" Hex Washer TEK Screw
6	141403	1	24Vac Transformer
7	136008	*	Fuse Block/Strip ONLY
8**	136057	*	1/2 Amp (Slo Blo) Fuse
9	150301	*	#8-18 x 7/16" Phillips Pan Head TEK Screw
10	150002	2	#6-32 x 1" Slotted Round Head Machine Screw
11	120715	1	30-Position Terminal Block
12	151000	2	#6-32 Pal Nut
13	132451	1	Motor Contactor
14	150103	4	#8-32 x 3/4" Phillips Round Head Machine Screw
15	151001	4	#8-32 Pal Nut
16	824828	1	Filter Capacitor

* For 115 VAC application quantity is 1 and for 208/230 VAC application quantity is 2.

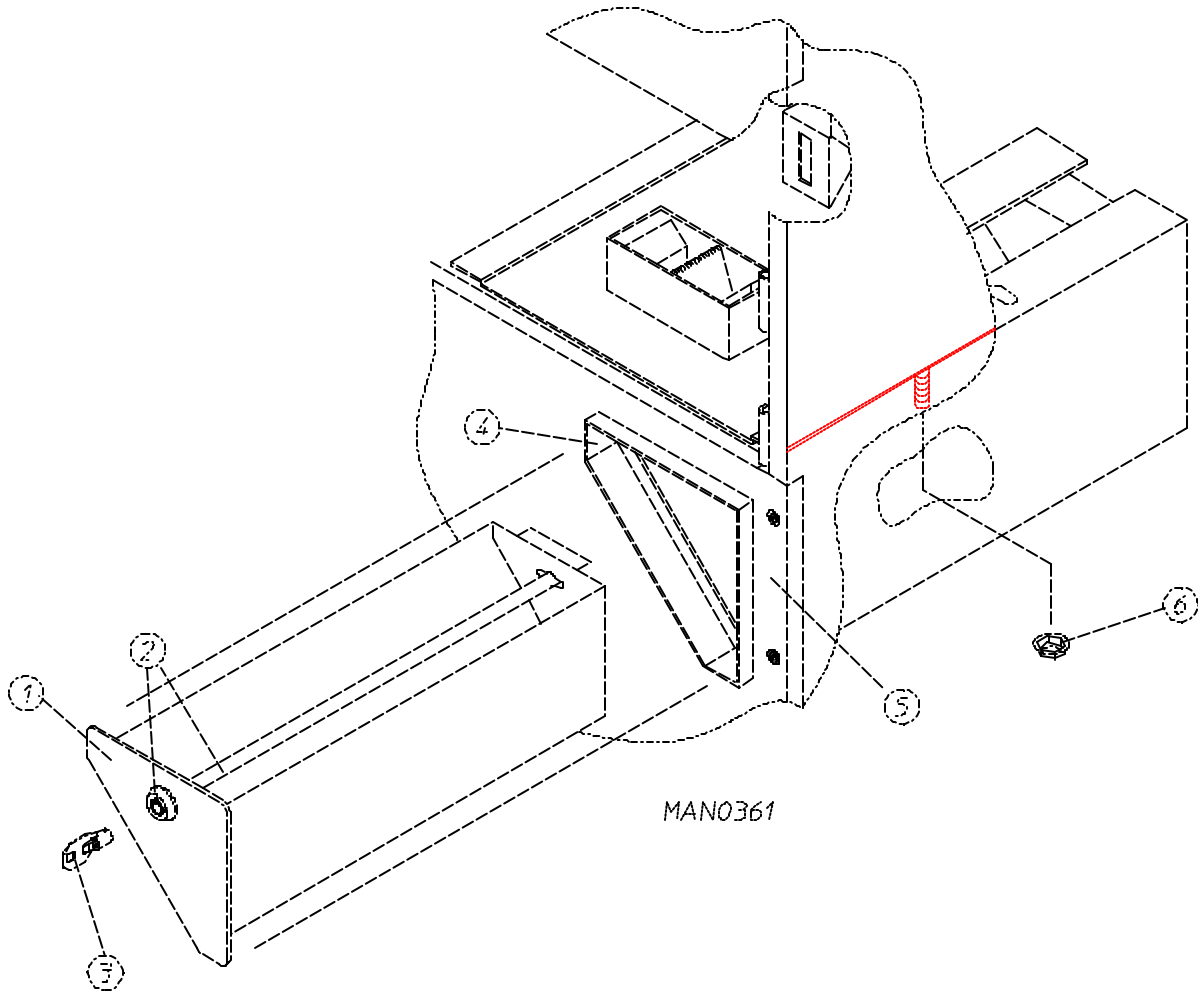
** Check fuse rating for verification.



<u>Illus. No.</u>	<u>Part No.</u>	<u>Qty.</u>	<u>Description</u>
1	800286	1	Black Main Door Assembly Complete (includes illus. nos. 1 and 5 through 7)
2	800448	1	12-1/2" Stainless Steel Main Door Hinge
3	150410	4	#10-24 x 3/8" Phillips Pan Head Taptite Screw
4	152014	4	1/4-20 Free Spin Wash Nut
5	102353	1	69-1/2" Main Door Gasket ONLY
6	102210	1	20-7/16" Door Glass ONLY
	170730	1	Adhesive for Door Glass and Gasket (10.3 oz Cartridge)
7	150431	1	Main Door Latch Screw (#10 x 7/16" Dome Head Screw)



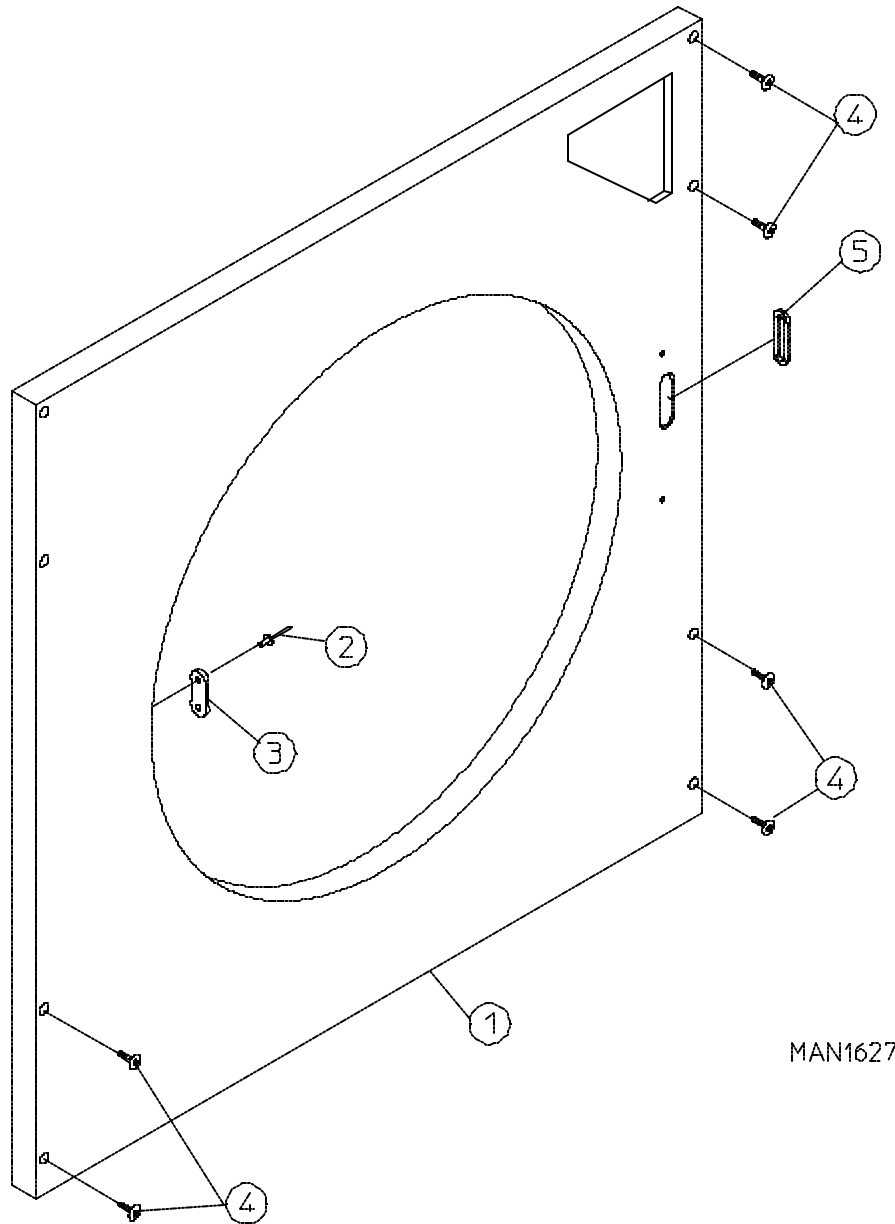
<u>Illus. No.</u>	<u>Part No.</u>	<u>Qty.</u>	<u>Description</u>
1	152013	2	#6-32 Hex Nut
2	153008	2	#6 Lock Washer
3	137005	1	Single Pole Door Switch
4	121028	2	Insulated Female Terminal
5	154281	2	3/8" Standard Nylon Spacer
6	800448	1	12-1/2" Stainless Steel Main Door Hinge includes illus. nos. 6 and 7)
7	153565	2	#6 Clinch Stud
8	313218	1	Main Door Switch Housing ONLY
9	150201	2	#10-32 x 1/4" Phillips Pan Head TEK Screw
10	121405	1	Rubber Grommet



<u>Illus. No.</u>	<u>Part No.</u>	<u>Qty.</u>	<u>Description</u>
1*	880118	1	AD-26/AD-295 Coin Box Assembly ONLY Less Lock
	880901	1	AD-26/AD295 Coin Box Faceplate ONLY
2	160036**	1	ACE® Lock Assembly with Key
3	160136**	1	ACE® Key ONLY
4*	880117	1	AD-26/AD-295 Coin Vault Assembly ONLY Less Lock (includes illus. nos. 1, 4, and 6)
5*	-----	1	AD-26/AD-295 Front Panel Assembly (refer to AD-26/AD-295 Coin Front Panel Assembly on page 18)
6	152014	4	#1/4-20 Free Spin Wash Nut

* Specify color when ordering.

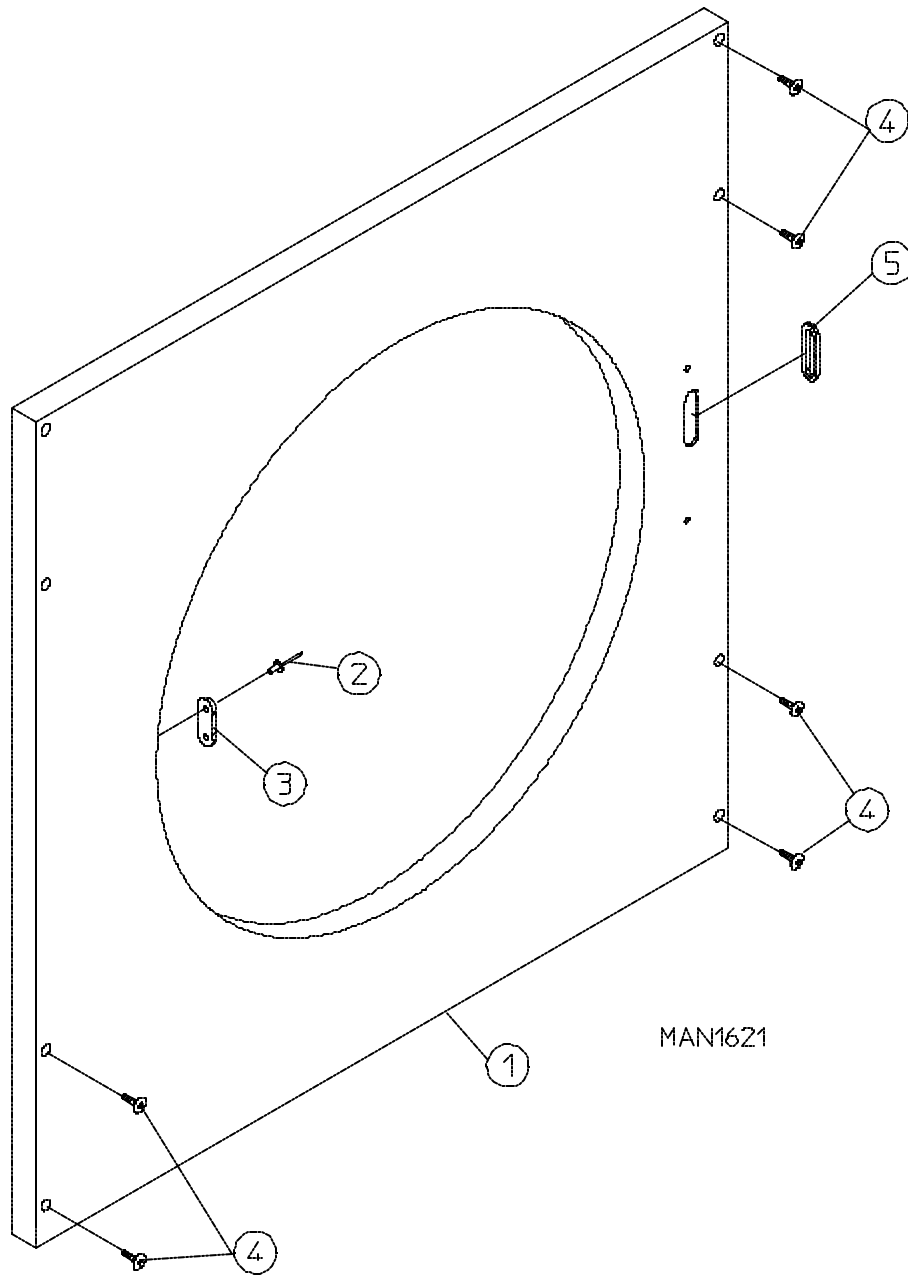
** Specify key number when ordering.



MAN1627

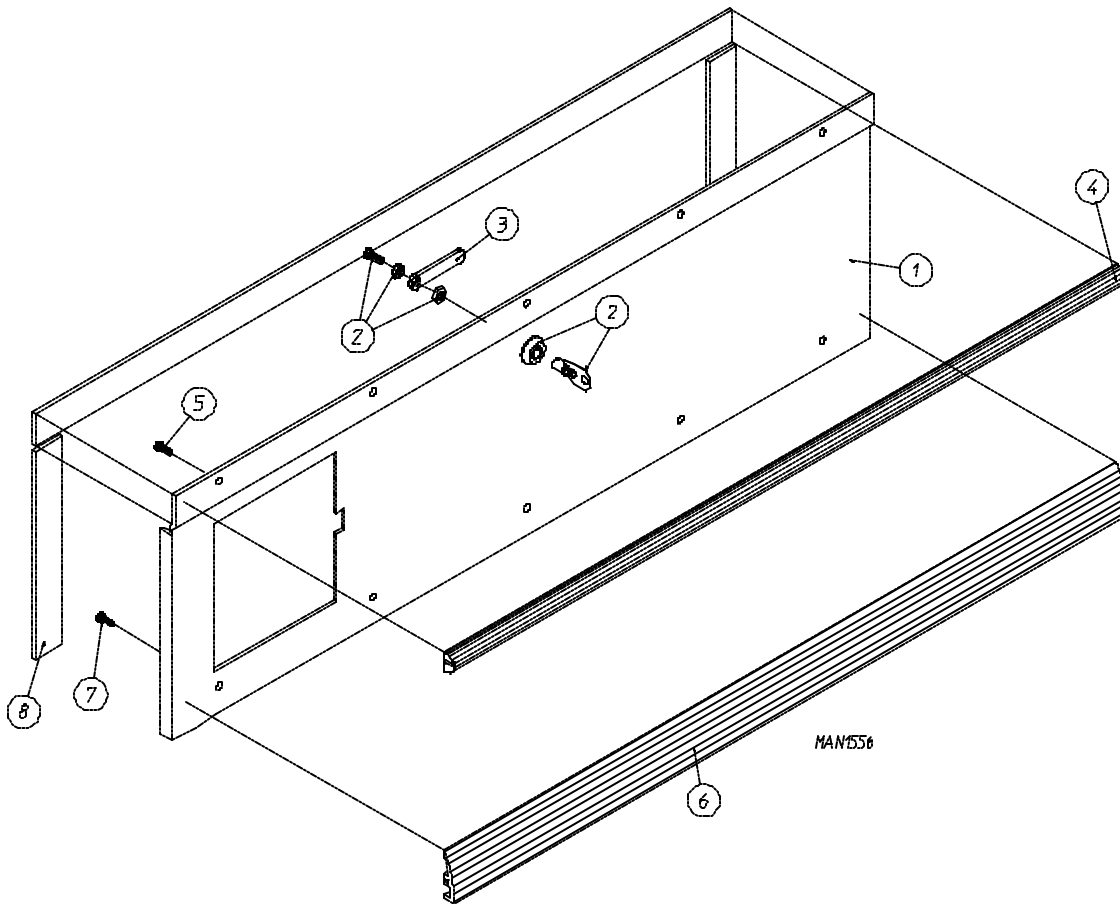
<u>Illus. No.</u>	<u>Part No.</u>	<u>Qty.</u>	<u>Description</u>
1*	880908	1	AD-26/AD-295 Front Panel Assembly Complete (includes illus. nos. 1, 2, 3, and 5)
2	154215	2	5/32 x 1/4" Pop Rivet
3	170330	1	Friction Door Latch
4	150415	8	#10-16 x 1/2" Phillips Round Head Crimpite Screw
5	121405	1	Rubber Grommet

* Specify color when ordering.



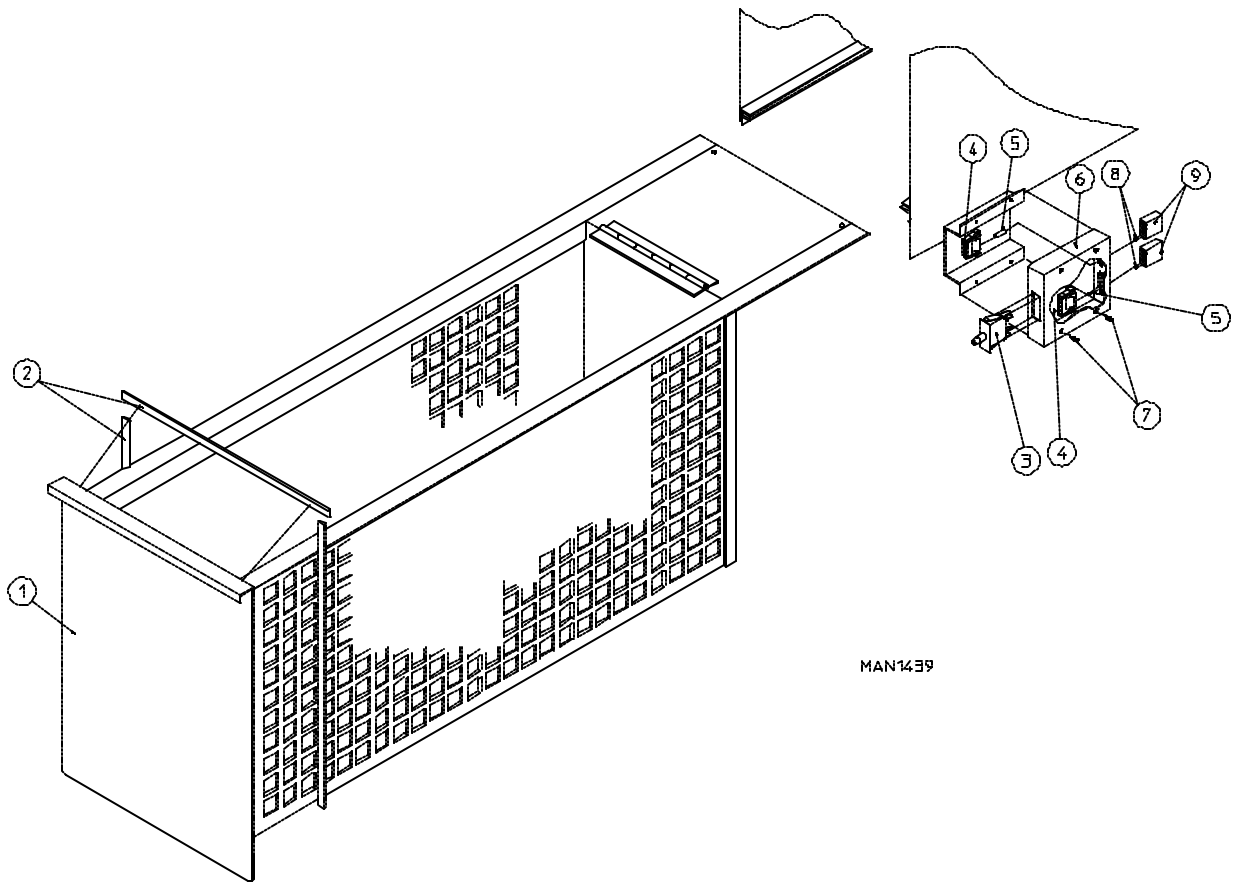
<u>Illus. No.</u>	<u>Part No.</u>	<u>Qty.</u>	<u>Description</u>
1	880919*	1	AD-26/AD-295 OPL Front Panel Assembly Complete (includes illus. nos. 1, 2, 3, and 5)
2	154215	2	1/8" Pop Rivet
3	170330	1	Friction Door Latch
4	150415	8	#10-16 x 1/2" Phillips Round Head Crimptite Screw
5	121405	1	Rubber Grommet

* Specify color when ordering.



<u>Illus. No.</u>	<u>Part No.</u>	<u>Qty.</u>	<u>Description</u>
1	880248*	1	AD-26/AD-295 Lint Door with Trim Less Locks (includes illus. nos. 1, and 4 through 8)
	880889*	1	AD-26/AD-295 Lint Door ONLY
2	160015	1	MK-100 Lock Assembly ONLY
	160104	1	MK-100 Key ONLY
3	160016	1	Lock Cam ONLY
4	180316	1	AD-26/AD-295 Upper Door Trim
5	150201	5	#10-32 x 1/4" Phillips Pan Head TEK Screw
6	180315	1	AD-26/AD-295 Lower Door Trim
7	150201	5	#10-32 x 1/4" Phillips Pan Head TEK Screw
8	117600	7	Noise Suppressor Tape (sold in feet)

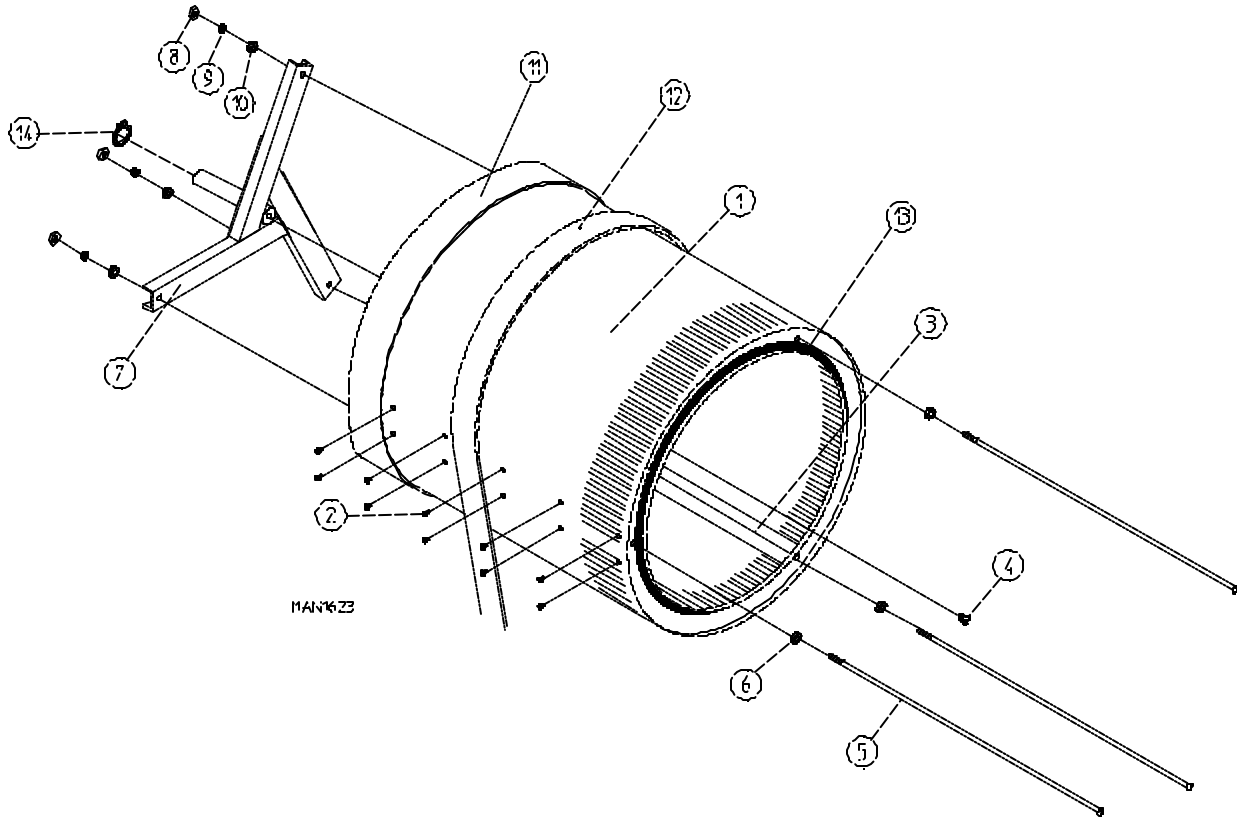
* Specify color when ordering.



MAN1433

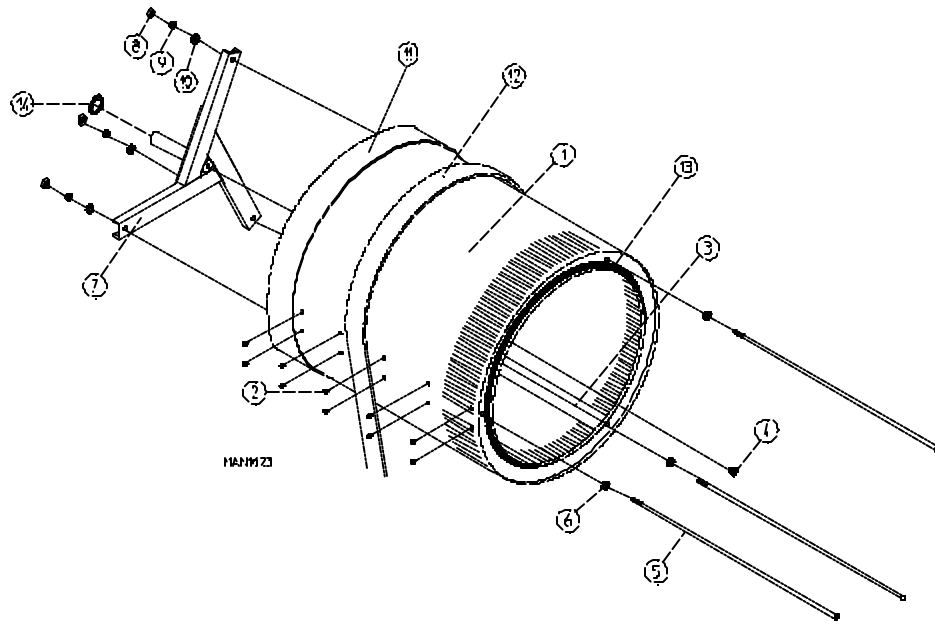
<u>Illus. No.</u>	<u>Part No.</u>	<u>Qty.</u>	<u>Description</u>
1*	880909	1	AD-26 Lint Basket Assembly (includes illus. nos. 1 and 2)
	850827	1	AD-295 Lint Basket Assembly (includes illus. nos. 1 and 2)
2	117600	4	Noise Suppressor Tape (sold by the foot)
3	122116	1	Lint Door Switch - 24 VAC
4	122605	1	4-Pin Socket Connector
5	122701	4	Socket Terminal ONLY
6	880921	1	AD-26/AD-295 Lint Basket Switch Box Assembly (includes illus. nos. 3 through 6)
7	150301	4	#8-18 x 7/16" Phillips Pan Head TEK Screw
8	122700	8	Pin Terminal ONLY
9	122604	2	4-Pin Connector ONLY

* Specify color when ordering.



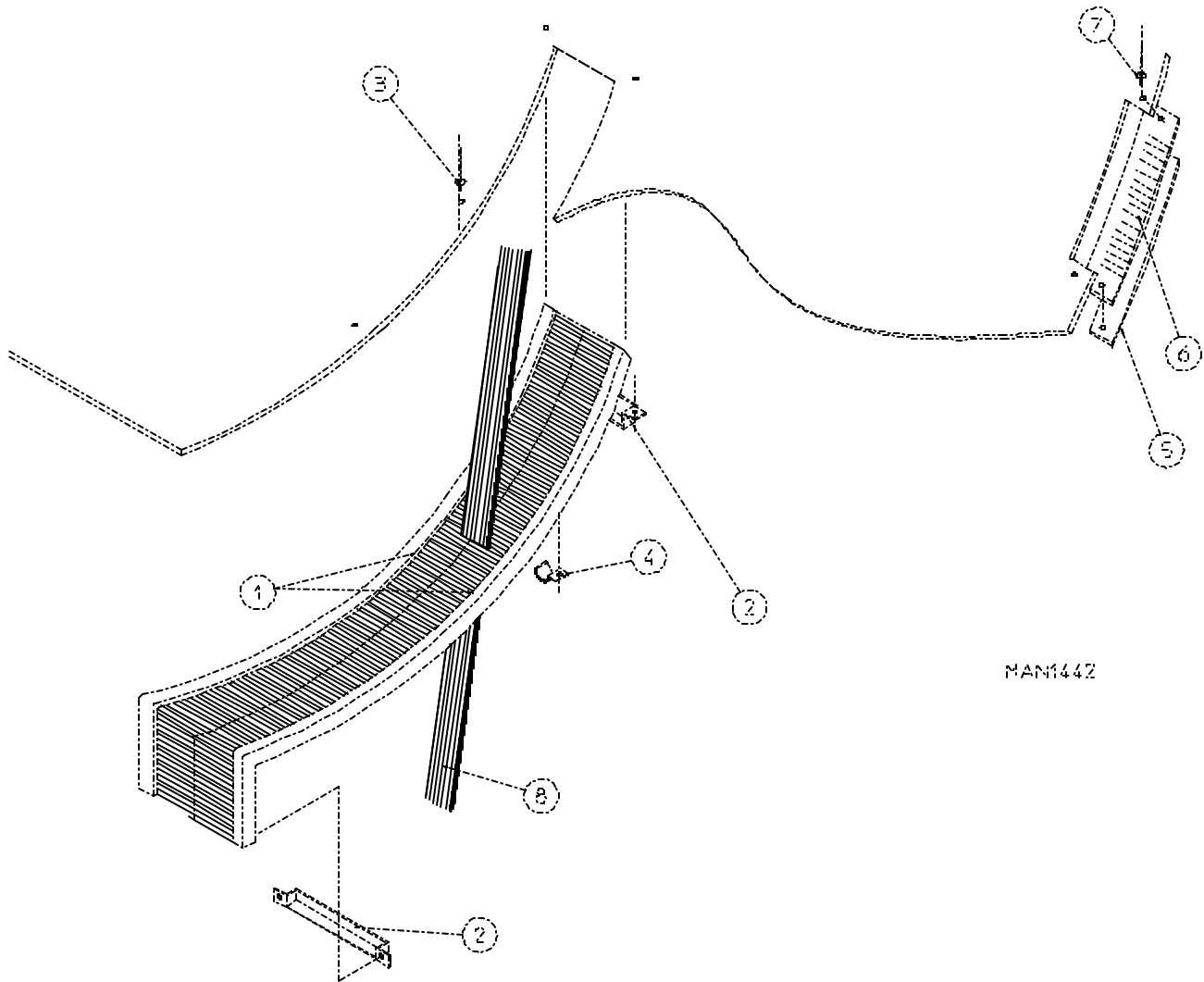
<u>Illus. No.</u>	<u>Part No.</u>	<u>Qty.</u>	<u>Description</u>
1	800835	1	AD-26 Basket (Tumbler) and Support Assembly Complete with Felt Collars (includes illus. nos. 1 through 11 and 13)
	800718*	1	AD-26 Basket (Tumbler) ONLY without Felt Collars (includes illus. nos. 1, 2, and 3)
2	150415	30	#10-16 x 1/2" Phillips Round Head Crimptite Screw
3	301318	2	AD-26 Short Basket (Tumbler) Rib ONLY
	301317	1	AD-26 Tall Basket (Tumbler) Rib ONLY
4	150518	1	#5/16-18 x 3/8" Socket Button Head Screw
5	100907	3	#5/16-18 x 25" Tie Rod ONLY
6	153003	3	3/8" x 1-1/2" Fender Washer
7	850061	1	AD-26/295 Basket (Tumbler) Support ONLY
8	152004	3	#5/16-18 Hex Nut
9	153002	3	5/16" Lock Washer
10	153001	3	5/16" Flat Washer
11	115999	1	Felt Collar ONLY
	401010	1	#847 Adhesive for Felt Collar (5 ounce tube)
12	100139	1	12-Rib 120" Poly "J" Belt (refer to AD-26/AD-295 12-Rib 120" (J) Poly Belt Arrangement on page 35)
13	115992	1	Inner Ring Felt Collar ONLY
14	100802	1	1-3/8" Retaining Ring

* Felt collars are not included and **must be** ordered separately.



<u>Illus. No.</u>	<u>Part No.</u>	<u>Qty.</u>	<u>Description</u>
1	800832	1	AD-295 Basket (Tumbler) and Support Assembly Complete with Felt Collars (includes illus. nos. 1 through 11 and 13)
	800892		AD-295 Stainless Steel Basket (Tumbler) and Support Assembly Complete with Felt Collars (includes illus. nos. 1 through 11 and 13)
	800722*	1	AD-295 Basket (Tumbler) ONLY without Felt Collars (includes illus. nos. 1, 2, and 3)
	800842*	1	AD-295 Stainless Steel Basket (Tumbler) ONLY without Felt Collars (includes illus. nos. 1, 2, and 3)
2	150415	30	#10-16 x 1/2" Phillips Round Head Crimptite Screw
3	301315	2	AD-295 Short Basket (Tumbler) Rib ONLY
	301316	1	AD-295 Tall Basket Rib (Tumbler) ONLY
	301414	2	AD-295Stainless Steel Short Basket (Tumbler) Rib ONLY
	301415	1	AD-295 Stainless Steel Tall Basket Rib (Tumbler) ONLY
4	150518	1	#5/16-18 x 3/8" Socket Button Head Screw
5	100902	3	#5/16-18 x 31" Tie Rod ONLY
6	153001	3	5/16" Flat Washer
7	850061	1	AD-26/295 Basket (Tumbler) Support ONLY
8	152004	3	#5/16-18 Hex Nut
9	153002	3	5/16" Lock Washer
10	153001	3	5/16" Flat Washer
11	116003	1	Felt Collar ONLY
	401010	1	#847 Adhesive for Felt Collar (5 ounce tube)
12	100139	1	12-Rib 120" Poly "J" Belt (refer to AD-26/AD-295 12-Rib 120" (J) Poly Belt Arrangement on page 35)
13	115992	1	Inner Ring Felt Collar ONLY
14	100802	1	1-3/8" Retaining Ring

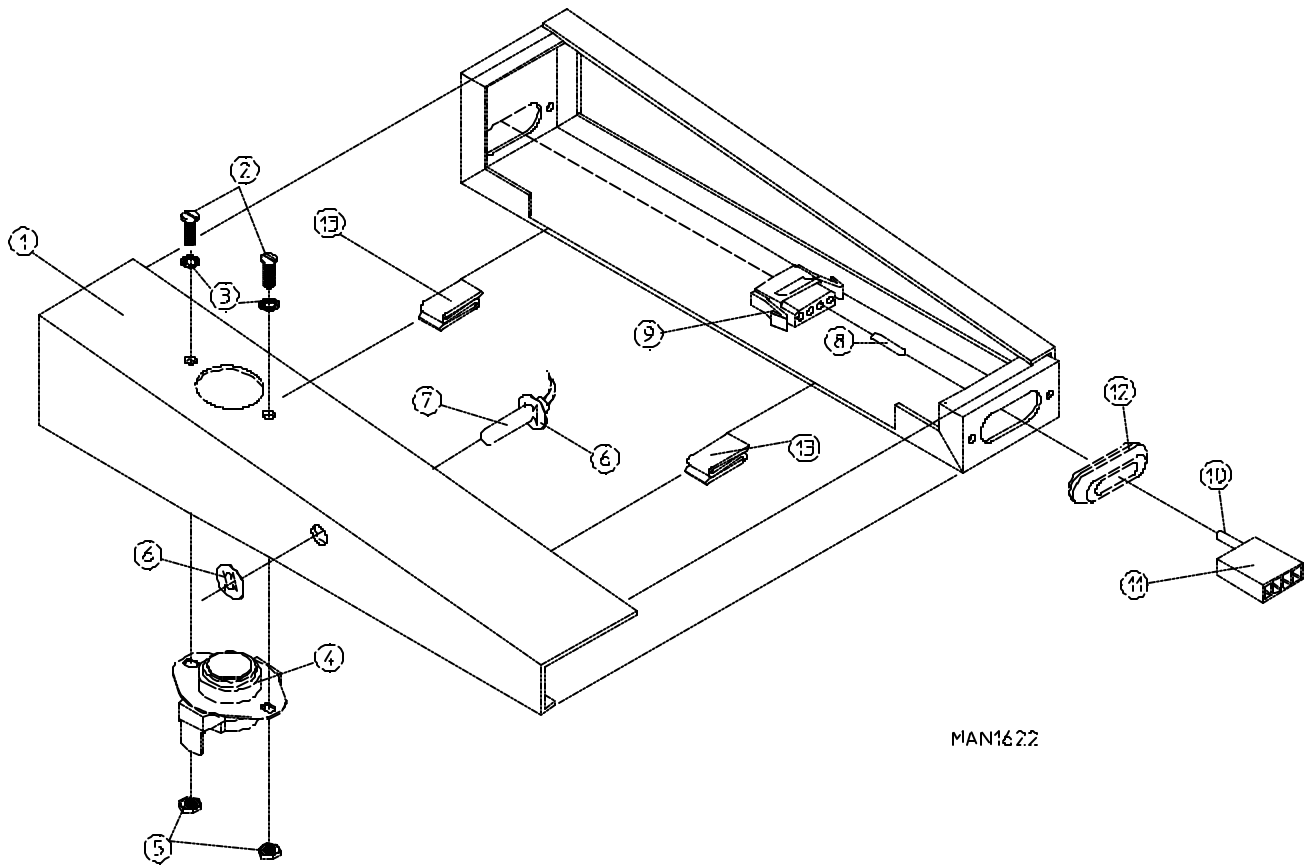
* Felt collars are not included and **must be** ordered separately.



MAN1442

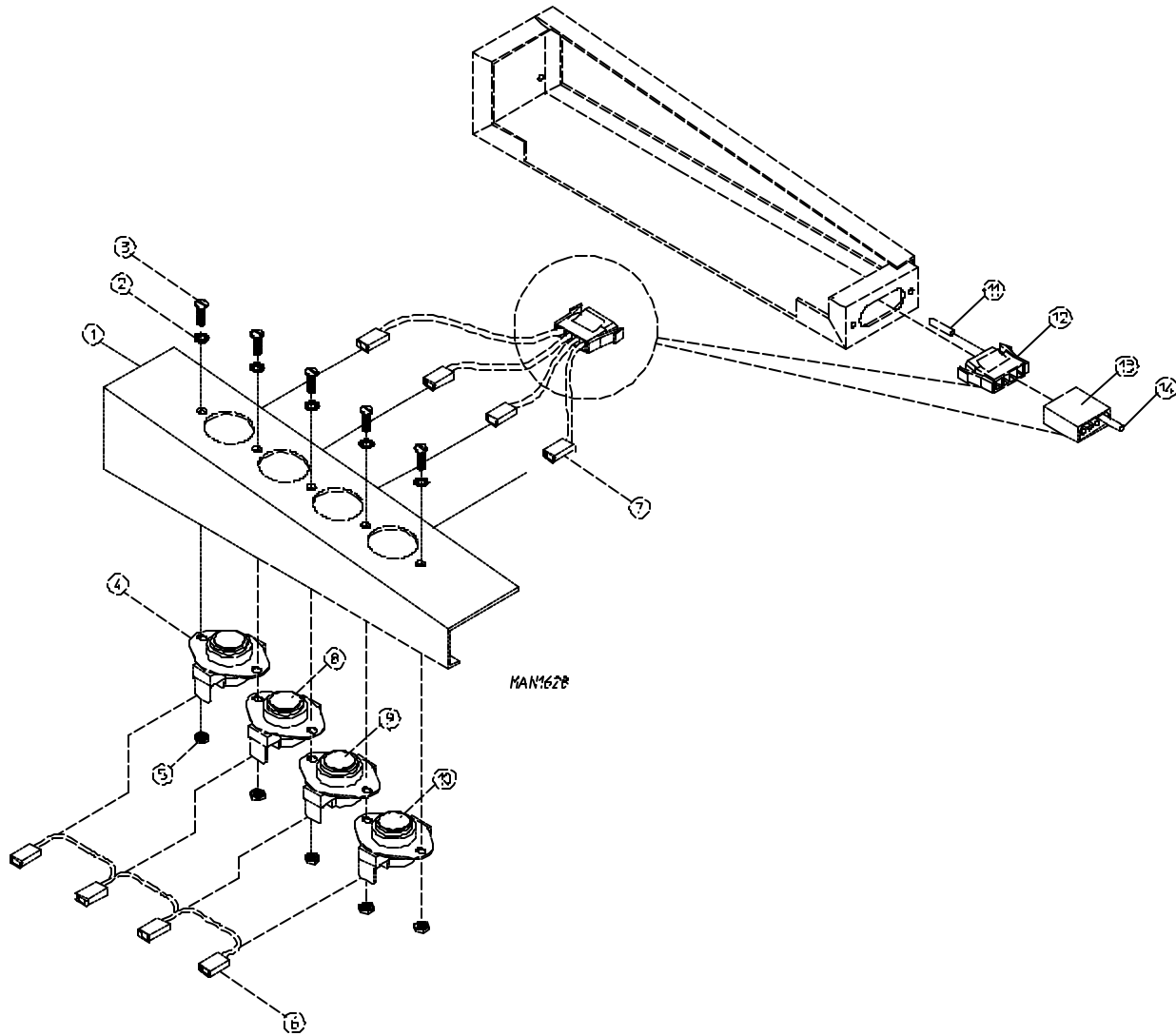
<u>Illus. No.</u>	<u>Part No.</u>	<u>Qty.</u>	<u>Description</u>
1	170196	2	AD-26/AD-295 Drive Belt Sealing Brush
2	317652	2	AD-26/AD-295 Sealing Brush Clip End
3	154210	6	5/16" x 3/16" Pop Rivet
4	120117	2	3/8" EMT Hanger
5	317650	1	AD-26/AD-295 Wrapper Gasket Strip
6	102325	1	8-1/2" x 1-1/2" x 1/8" Wrapper Channel Gasket
7	154210	2	5/32" x 3/16" Pop Rivet
8	100139	1	12-Rib 120" Poly "J" Belt

(refer to **AD-26/AD-295 12-Rib 120" (J) Poly Belt Arrangement** on **page 35**)

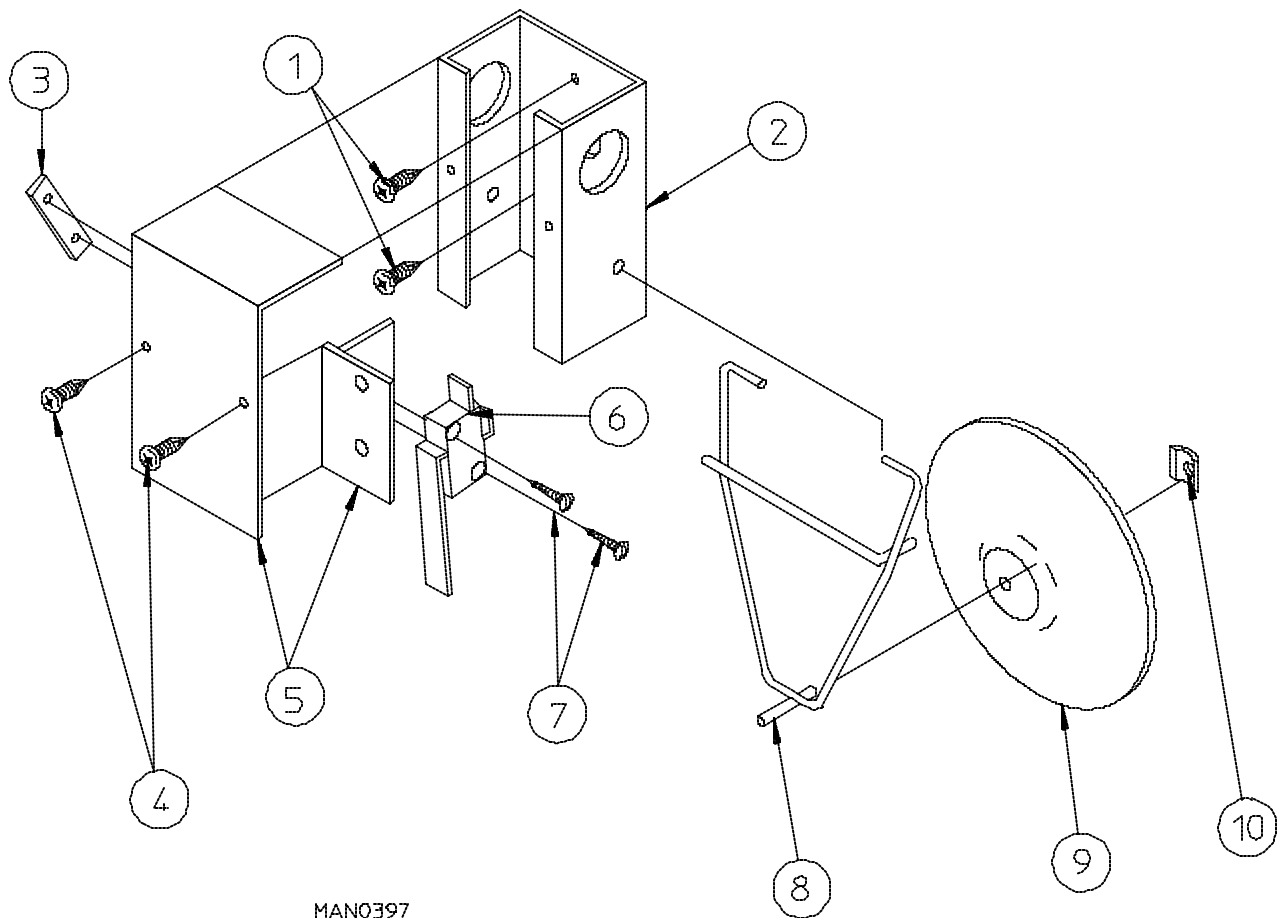


MAN1622

<u>Illus. No.</u>	<u>Part No.</u>	<u>Qty.</u>	<u>Description</u>
1	880925	1	AD-26/AD-295 Microprocessor Temperature Sensor Bracket Assembly Complete (includes illus. nos. 1 through 9, 12, and 13)
	305016	1	AD-26/AD-295 Temperature Sensor Bracket Top ONLY
2	150000	2	#6-32 x 1/4" Round Head Machine Screw
3	153010	2	#6 Star Washer
4	130102	1	190° Large Thermostat ONLY
5	152013	2	#6-32 Hex Nut
6	154007	2	1/4" Tinnerman Push-On Fastener
7	880251	1	1/4" Temperature Sensor Probe Assembly (includes illus. nos. 6 through 9)
8	122701	4	Socket Terminal ONLY
9	122605	1	4-Pin Socket Connector ONLY
10	122700	4	Pin Terminal ONLY
11	122604	1	4-Pin Connector ONLY
	122801	1	Pin/Socket Extraction Tool
12	121405	1	Rubber Grommet
13	154060	2	Tinnerman "S" Clip

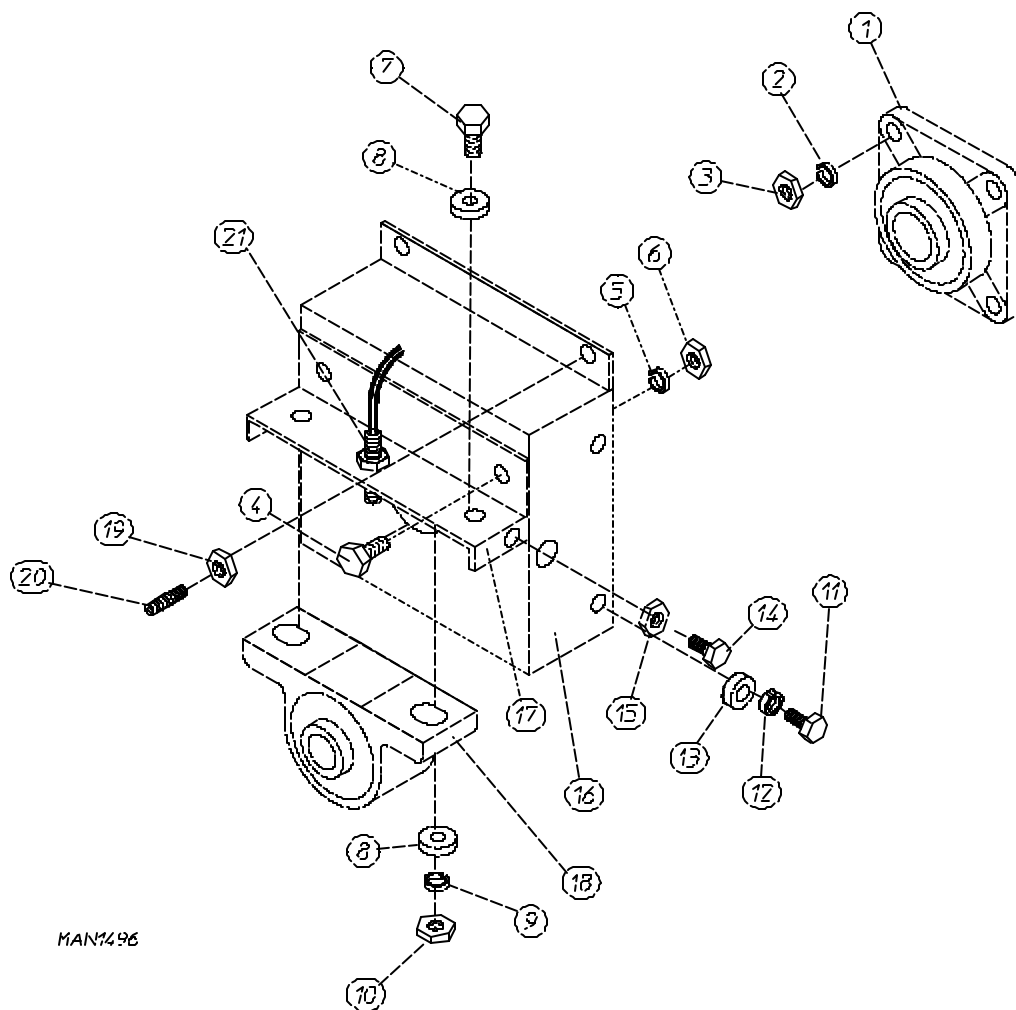


<u>Illus. No.</u>	<u>Part No.</u>	<u>Qty.</u>	<u>Description</u>
1	880907	1	AD-26/AD-295 Non-Microprocessor Sensor Bracket Assembly Complete (includes illus. nos. 1 through 12)
2	153010	5	#6 Star Washers
3	150005	5	#6-32 x 1/4 Round Head Machine Screw
4	130106	1	Large 170° Thermostat ONLY
5	152000	5	#6-32 Hex Nut
6	840065	1	Sensor Jumper
7	840062	1	Sensor Bracket Harness
8	130100	1	Large 150° Thermostat ONLY
9	130111	1	Large 130° Thermostat ONLY
10	130105	1	Large 100° Thermostat ONLY
11	122701	4	Socket Terminal ONLY
12	122605	1	4 -Pin Socket Connector
13	122604	1	4-Pin Conector
14	122700	4	Pin Terminal ONLY



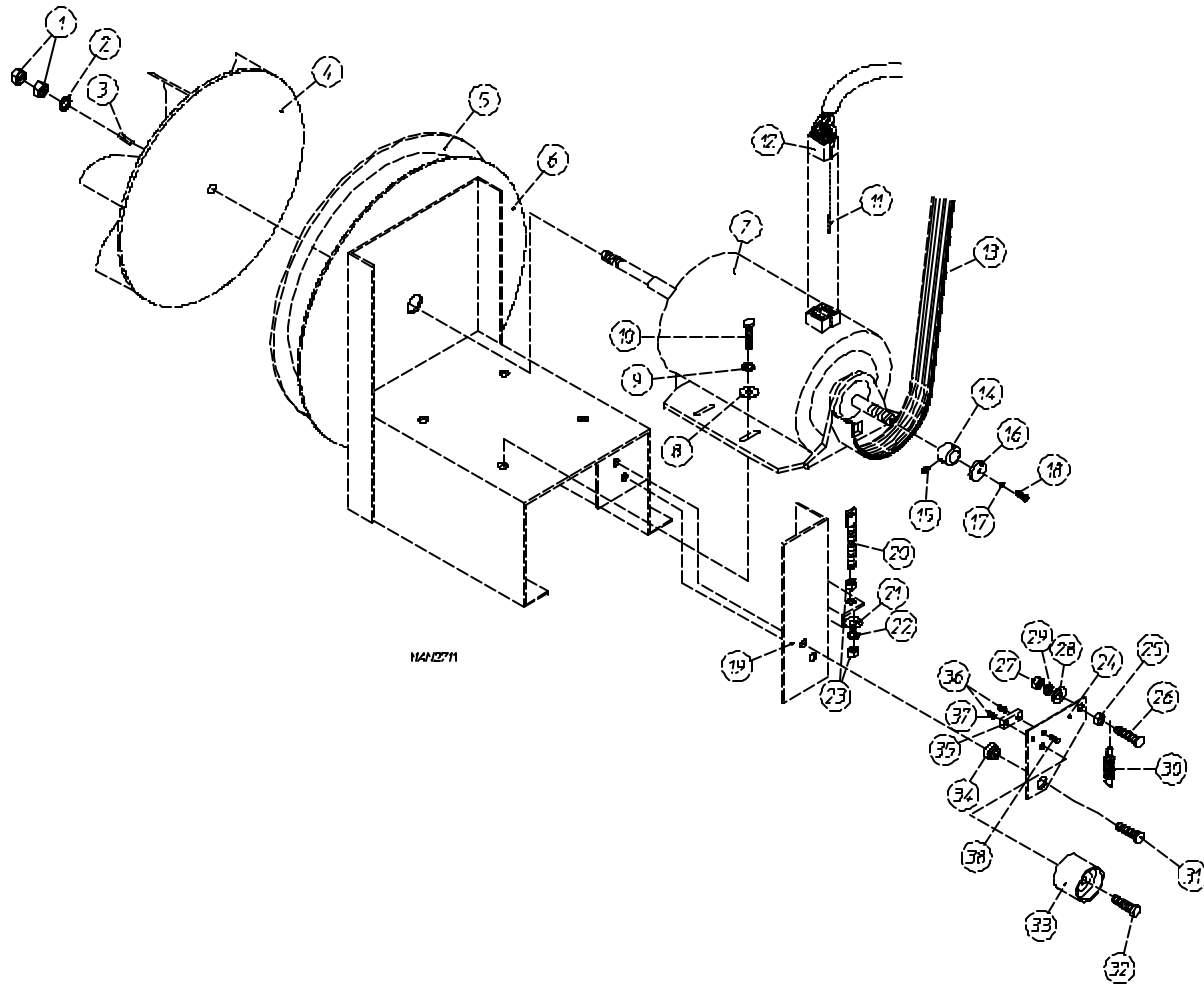
MAN0397

<u>Illus. No.</u>	<u>Part No.</u>	<u>Qty.</u>	<u>Description</u>
1	150301	2	#8-18 x 7/16" Phillips Pan Head TEK Screw
2	802800	1	Sail Switch Box with Cover and Bracket ONLY (includes illus. nos. 2, 4, and 5)
	802801	1	Sail Switch Box Assembly Complete (includes illus. nos. 2 through 10)
3	154004	1	Twin Speed Nut
4	150415	2	#10-16 x 1/2" Phillips Round Head Crimptite Screw
5	802799	1	Sail Switch Box Cover and Bracket ONLY
6	122200	1	Sail Switch ONLY
7	150303	2	#4 x 3/4" Pan Head "A" Machine Screw
8	105500	1	Sail Switch Actuator Rod
9	319206	1	Sail Switch Damper (embossed)
10	154002	1	1/8" Push-on Fastener



<u>Illus. No.</u>	<u>Part No.</u>	<u>Qty.</u>	<u>Description</u>
1	100203	1	1-3/8" Flange Bearing ONLY
2	153005	4	3/8" Lock Washer
3	152005	4	#3/8-16 Hex Nut
4	150508	2	#3/8-16 x 3/4" Hex Head Machine Bolt
5	153005	2	3/8" Lock Washer
6	152005	2	#3/8-16 Hex Nut
7	150600	2	#3/8-16 x 1-1/2" Hex Head Machine Bolt
8	153004	2*	3/8" Flat Washer
9	153005	2	3/8" Lock Washer
10	152005	2	#3/8-16 Hex Nut
11	150501	4	#5/16-18 x 3/4" Hex Head Machine Bolt
12	153002	4	5/16" Lock Washer
13	153001	4	5/16" Flat Washer
14	150621	2	#5/16-18 x 1-1/2" Hex Head Machine Bolt
15	152004	2	#5/16-18 Hex Nut
16	801101	1	1-3/8" Bearing Box Assembly Complete (includes illus. nos. 4 through 20) For models mfd. without Rotational Sensor
	801103	1	1-3/8" Bearing Box and Support Assembly ONLY (includes illus. nos. 4, 5, 6, 16, and 17)
	801105	1	1-3/8" Bearing Box ONLY
17	801104	1	1-3/8" Pillow Block Bearing Support ONLY
18	100202	1	1-3/8" Pillow Block Bearing ONLY
	880779	1	1-3/8" Pillow Block Bearing Assembly with Magnet (for models mfd. with Rotational Sensor)
19	152004	2	#5/16-18 Hex Nut
20	150610	2	#5/16-18 x 1-1/2" Allen Set Screw
21	824807	1	Rotational Sensor Assembly

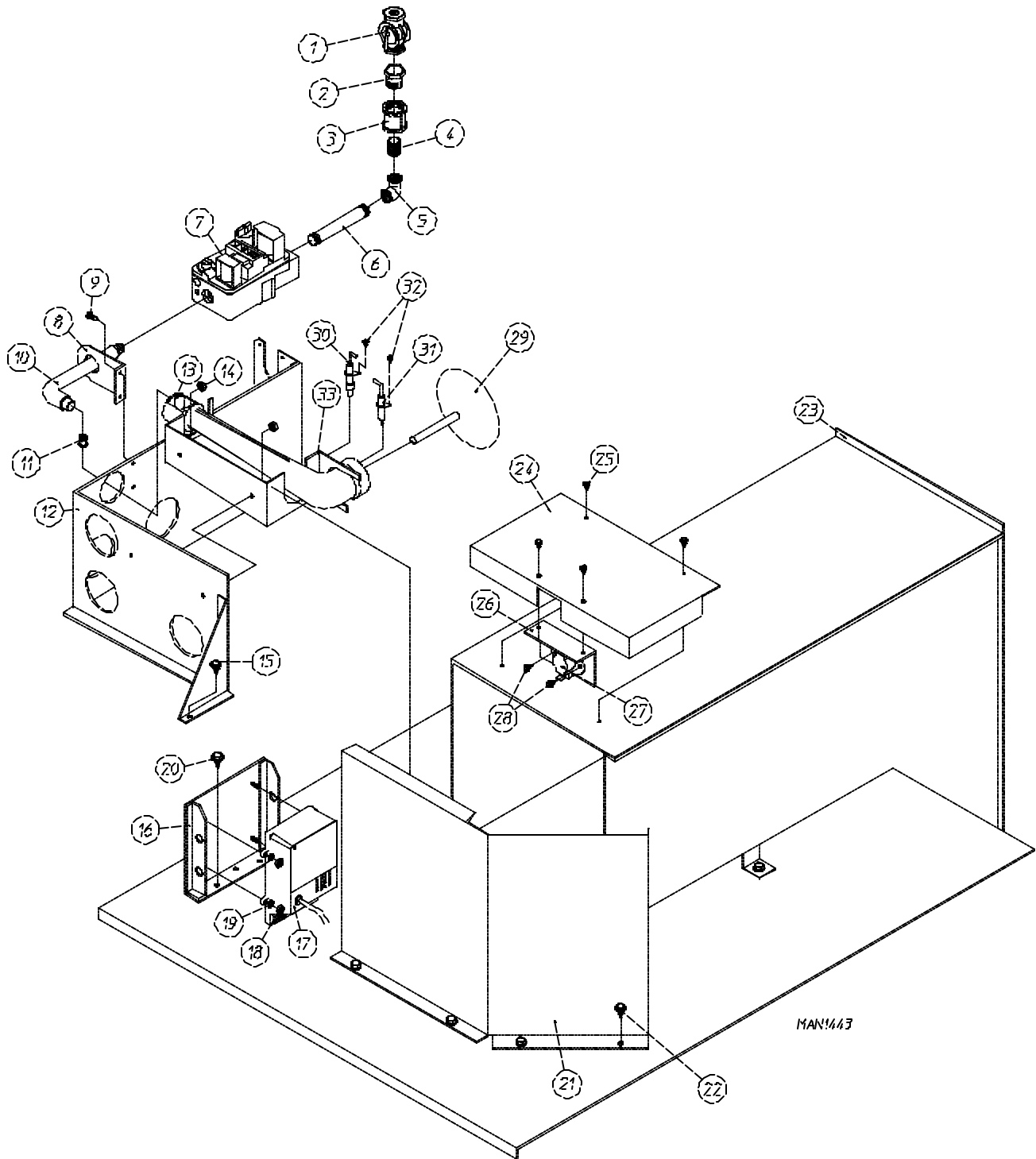
* Some models require a quantity of 4.



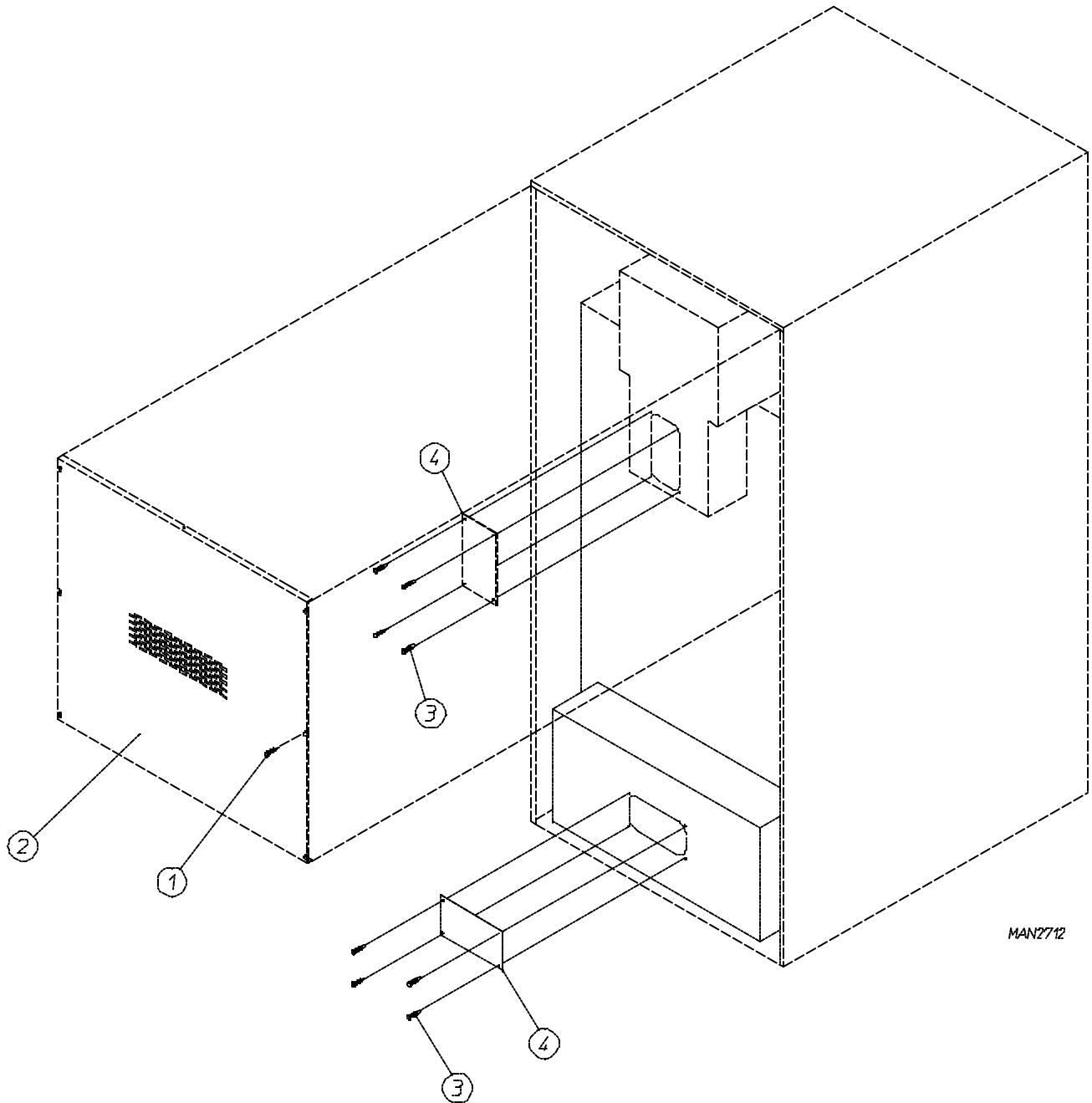
<u>Illus. No.</u>	<u>Part No.</u>	<u>Qty.</u>	<u>Description</u>
1	152006	2	1/2-20 Left Hand Jam Nut
2	153050	1	1/2" S.A.E. Flat Washer
3	100702	1	1/8" x 1/8" x 1-1/2" Key
4	100604	1	Impellor (Fan/Blower) ONLY
5	117600	4	Noise Suppressor Tape (sold in feet)
6	880890	1	AD-26/AD-295 Motor Mount ONLY
	880893	1	AD-26/AD-295 Motor Mount Assembly Complete - 60 Hz Models ONLY (includes illus. nos. 1 through 10 and 14 through 18)
	880894	1	AD-26/AD-295 Motor Mount Assembly Complete - 50 Hz Models ONLY (includes illus. nos. 1 through 10 and 14 through 18)
7	100099	1	1/2 HP 115/208-230/60 Hz/1 ϕ T.E.N.V. Motor with Plug
	100054	1	1/2 HP 115/208-230/50 Hz/1 ϕ T.E.N.V. Motor with Plug
8	153001	4	5/16" Flat Washer
9	153002	4	5/16" Lock Washer

<u>Illus. No.</u>	<u>Part No.</u>	<u>Qty.</u>	<u>Description</u>
10	154279	4	#5/16-18 x 3/4" Carriage Bolt
11	122701	*	Socket Termianl ONLY
	122801	1	Pin/Socket Extraction Tool
12	137030	1	8-Pin Housing
13	100139	1	12-Rib 120" Poly "J" Belt
14	101097	1	Rear Motor Shaft Bushing (for 60 Hz Models ONLY)
	101099	1	Rear Motor Shaft Bushing (for 50 Hz Models ONLY)
15	154304	1	Rear Bushing Set Screw
16	101096	1	Front Motor Shaft Bushing ONLY
17	153024	1	#10 Lock Washer
18	150216	1	#10-32 x 3/4" Left Hand Phillips Round Head Machine Screw
19	880922	1	Idler Assembly Complete (includes illus. nos. 19 through 38)
	880895	1	Idler Plate Angle Assembly ONLY
20	153005	1	#3/8-16 x 3-3/8" Spade Bolt
21	153004	1	3/8" Flat Washer
22	153005	1	3/8" Lock Washer
23	152005	2	#3/8"-16 Hex Nut
24	302219	1	Idler Plate
25	153007	1	1/4" Lock Washer
26	150112	1	#1/4-20 x 1 1/4" Hex Head Bolt
27	152002	1	#1/4-20 Hex Nut
28	153018	1	1/4" Flat Washer
29	153007	1	1/4" Lock Washer
30	157010	1	1-7/8" Extension Spring
31	154278	1	#5/16-18 x 5/8" Shoulder Screw
32	150600	1	#3/8-16 x 1/2" Hex Head Bolt
33	100251	1	Idler Pulley ONLY
34	100429	1	Idler Pivot Sleeve
35	170359	1	Nylon Spacer
36	152000	2	#6-32 Hex Nut
37	153008	2	#6 Lock Washer
38	150001	2	#6-32 x 1/2 Round Head Machine Screw

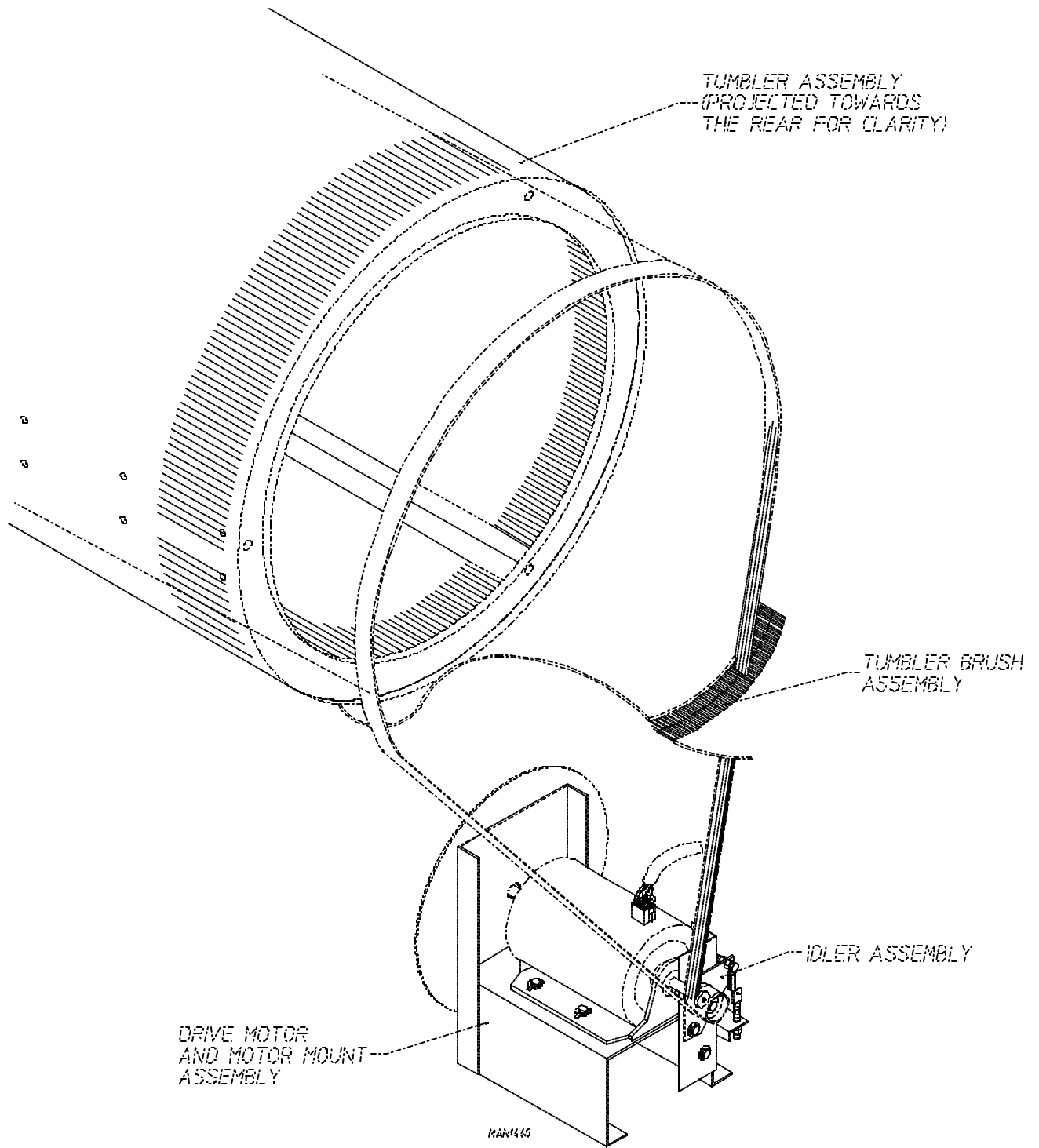
* As required.



<u>Illus. No.</u>	<u>Part No.</u>	<u>Qty.</u>	<u>Description</u>
1	141306	1	Straight Shut-Off
2	141303	1	1/2" Union Tail Piece
3	143001	1	1/2" Coupling
4	142700	1	Close Nipple
5	142500	1	1/2" x 90° Elbow
6	142812	1	1/2" x 3" Nipple
7	128927	1	1/2" 24 VAC DSI Redundant Valve (natural gas)
	140411	1	1/2" Valve Conversion Kit (liquid propane)
8	318700	1	Pipe Bracket
9	150300	2	#10 x 1/2" Hex Washer TEK Screw
10	141238	1	1/2" Manifold
11	-----	1	Burner Orifice (refer to Upshot Burner Orifice Listing on page 36)
12	880891	1	AD-26/AD-295 Burner Front and Back Bracket
13	880892	1	ADG-26/ADG-295 Upshot Burner Tube Assembly (includes illus. nos. 13 and 30 through 33)
14	152001	2	#8-32 Hex Nut
15	150300	2	#10 x 1/2" Hex Washer TEK Screw
16	820100	1	DSI Mounting Bracket
17	880815	1	ADC DSI Module ONLY (50/60 Hz)
18	152000	4	6-32 Hex Nut
19	153010	4	#6 Star Washer
20	150301	2	#8-18 x 7/16" Phillips Pan Head TEK Screw
21	318083	1	Outer Burner Baffle
22	150300	4	#10-32 x 1/2" Hex Washer Tek Screw
23	880923	1	ADG-26 Burner Box Assembly (includes illus. nos. 23 through 26)
	880924	1	ADG-295 Burner Box Assembly (includes illus. nos. 23 through 26)
24	318076	1	Burner Box Cover
25	150300	4	#10 x 1/2" Hex Washer TEK Screw
26	319706	1	Hi-Limit Bracket
27	130401	1	330° Hi-Limit ONLY
28	150301	1	#8-18 x 7/16" Phillips Pan Head TEK Screw
29	141109	1	Flame Spreader
30	128918	1	Flame Sensor
31	128917	1	Spark Electrode with High Voltage (HV) Wire
32	150315	2	#6 x 3/8" Phillips Pan Head "B" Screw
33	318009	1	PSE Burner Tube Bracket
---	-----	1	Conversion Kit (refer to L.P. Conversion Kit Listing on page 36)



<u>Illus. No.</u>	<u>Part No.</u>	<u>Qty.</u>	<u>Description</u>
1	150301	6	#8-18 x 7/16" Philips Pan Head TEK Screw
2	314408	1	AD-26/295 Back Guard
3	150300	8	#10 x 1/2" Hex Washer TEK Screw
4	318065	2	AD-26/295 Clean Out Plate



Upshot Burner Orifice Listing*

Model Number	Qty.	Natural Gas		L.P. Gas	
		D.M.S.	Part No.	D.M.S.	Part No.
ADG-26D @ 60 Hz	1	#26	140823	#43	140809
ADG-26D @ 50 Hz	1	#29	140820	#46	140806
ADG-295D @ 60 Hz	1	#23	140856	#42	140810
ADG-295D @ 50 Hz	1	#28	140821	#44	140808

* Consult factory for elevations over 2,000 feet.

L.P. Conversion Kit Listing*

Model Number	Kit Part Number
ADG-26D @ 60 Hz	874061
ADG-26D @ 50 Hz	880932
ADG-295D @ 60 Hz	880782
ADG-295D @ 50 Hz	880933

* Consult factory for elevations over 2,000 feet.

<u>Part No.</u>	<u>Description</u>
112027	"Water Washed Fabrics" Label
112039	"Black/White/Green Ground" Label
112040	"Lint Compartment" Label
112041	"Caution-Exhausted" Label
112534	"Phase 5 OPL Program Location Summary" Label
120802	Red Butt Connector
120902	#74B Wire Nut
120903	Crimp-on Wire Nut
121014	1/4" Insulated (female) Terminal
121499	4" Harness Tie
121500	7" Harness Tie
122804	Hydroguage, 15"
404500	Almond Brush-In-Cap Bottle Touch-Up Paint
404502	White Brush-In-Cap Bottle Touch-Up Paint
404506	Almond "B" Brush-In-Cap Bottle Touch-Up Paint
404507	Cornflower Blue Brush-In-Cap Bottle Touch-Up Paint
410001	1/2" Allen Wrench
880200	Electrical Terminal (assortment) Kit

ADC 450122 1 - 01/24/94-100 2 * 05/02/94-100 3 * 08/28/95-100
4 * 03/21/96-100 5 - 02/24/98-100

