



AD-236 Parts Manual 24 VAC Phase 5

American Dryer Corporation
88 Currant Road
Fall River, MA 02720-4781
Telephone: (508) 678-9000 / Fax: (508) 678-9447
E-mail: techsupport@amdry.com
www.amdry.com

Retain This Manual In A Safe Place For Future Reference

American Dryer Corporation products embody advanced concepts in engineering, design, and safety. If this product is properly maintained, it will provide many years of safe, efficient, and trouble free operation.

ONLY qualified technicians should service this equipment.

OBSERVE ALL SAFETY PRECAUTIONS displayed on the equipment or specified in the installation manual included with the dryer.

The following “**FOR YOUR SAFETY**” caution **must be** posted near the dryer in a prominent location.

FOR YOUR SAFETY

Do not store or use gasoline or other flammable vapors and liquids in the vicinity of this or any other appliance.

POUR VOTRE SÉCURITÉ

Ne pas entreposer ni utiliser d'essence ni d'autres vapeurs ou liquides inflammables à proximité de cet appareil ou de tout autre appareil.

We have tried to make this manual as complete as possible and hope you will find it useful. **ADC** reserves the right to make changes from time to time, without notice or obligation, in prices, specifications, colors, and material, and to change or discontinue models.

Important

For your convenience, log the following information:

DATE OF PURCHASE _____ **MODEL NO.** AD-236

RESELLER'S NAME _____

Serial Number(s) _____

Replacement parts can be obtained from your reseller or the **ADC** factory. When ordering replacement parts from the factory, you can FAX your order to **ADC** at (508) 678-9447 or telephone your order directly to the **ADC** Parts Department at (508) 678-9000. Please specify the dryer **model number** and **serial number** in addition to the **description** and **part number**, so that your order is processed accurately and promptly.

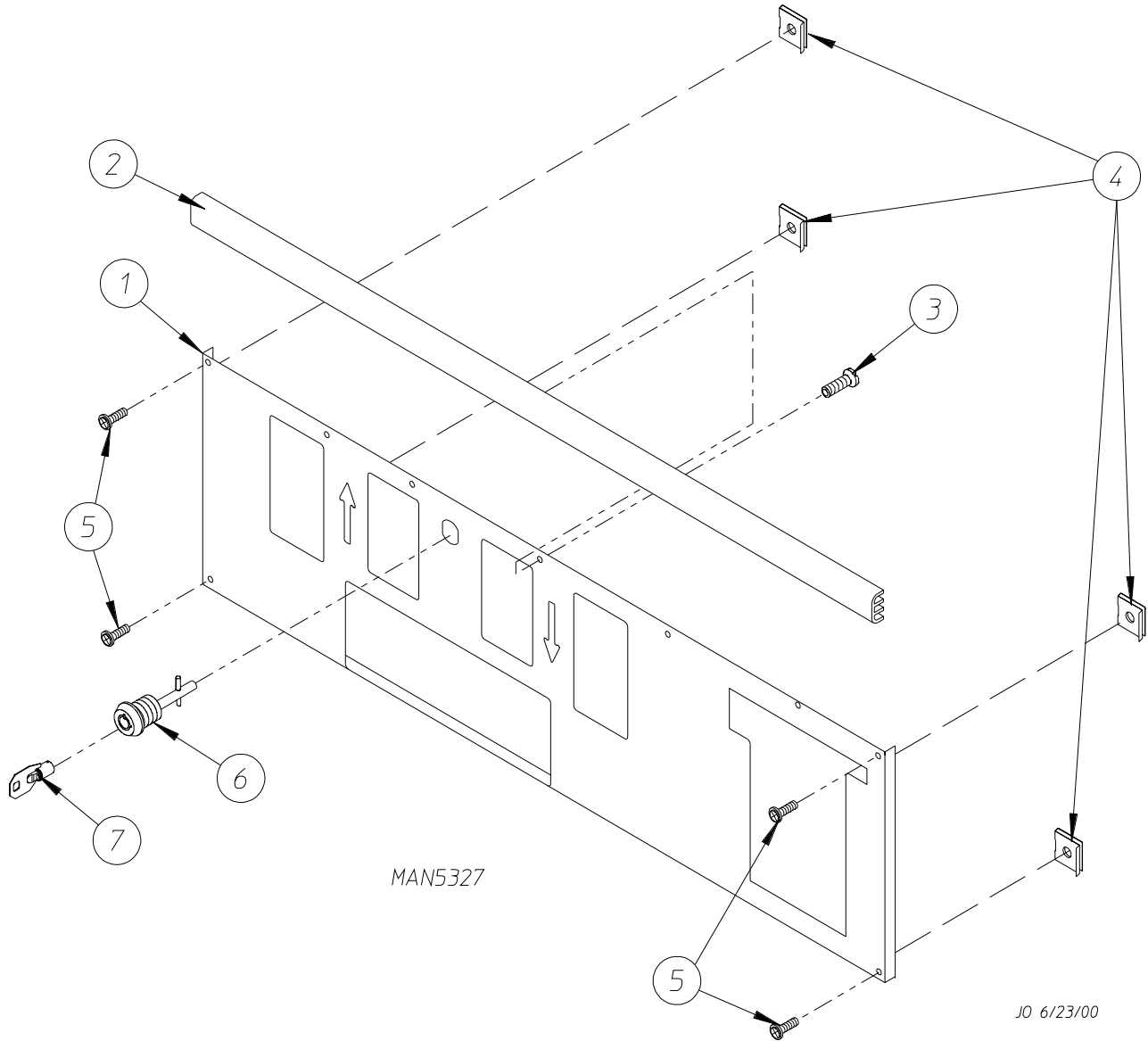
The illustrations on the following pages may not depict your particular dryer exactly. The illustrations are a composite of the various dryer models. Be sure to check the descriptions of the parts thoroughly before ordering.

“IMPORTANT NOTE TO PURCHASER”

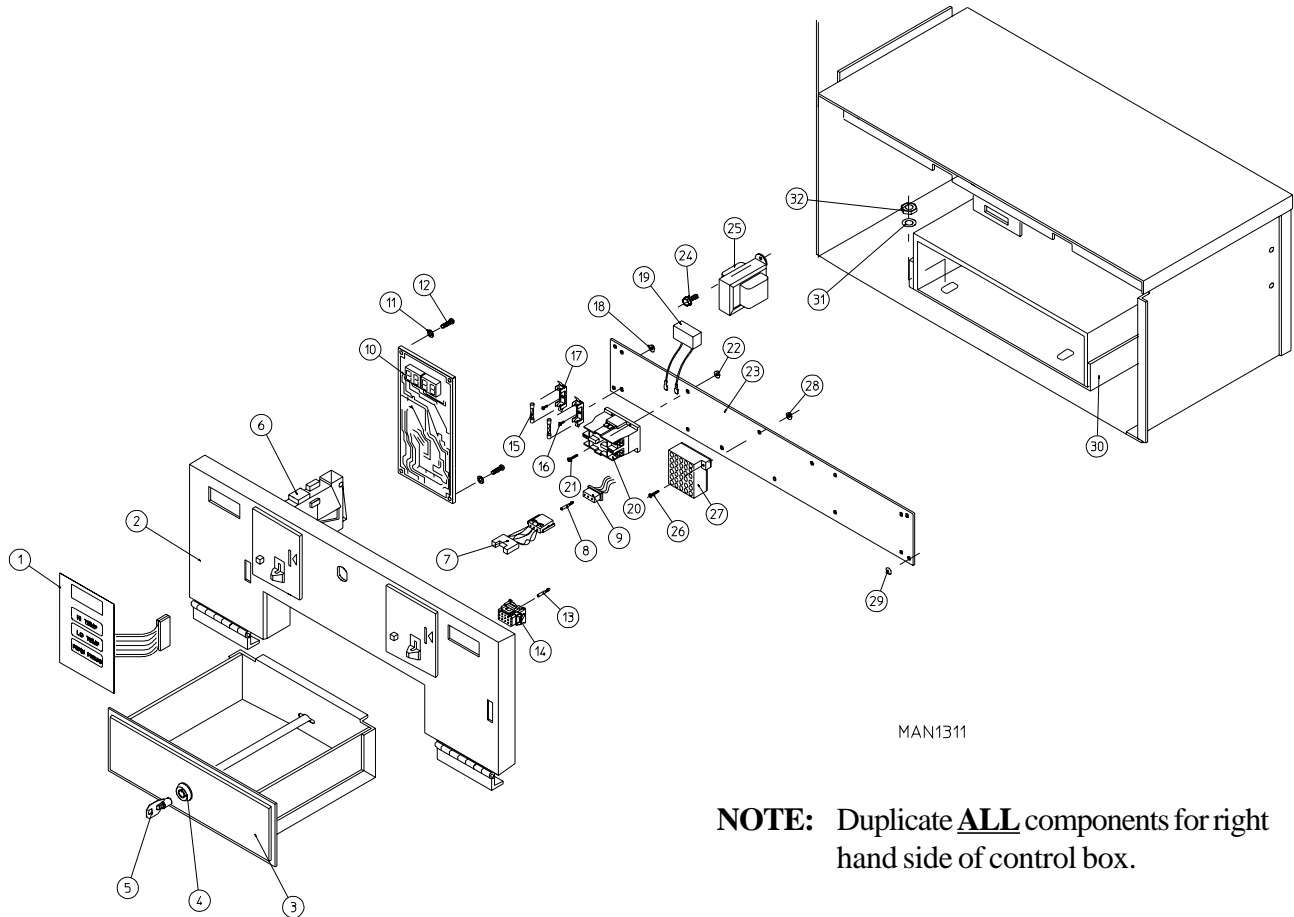
Information **must be** obtained from your local gas supplier on the instructions to be followed if the user smells gas. These instructions **must be** posted in a prominent location near the dryer.

Table of Contents

Locking Control Door Assembly	2, 3
Coin Microprocessor Control Panel/Box Assemblies	4, 5
Upper Front Panel Assembly (For Plastic Door)	6
Upper Front Panel Assembly (For Cold Rolled Steel [CRS] Door)	7
Lower Front Panel Assembly (For Plastic Door)	8
Lower Front Panel Assembly (For Cold Rolled Steel [CRS] Door)	9
Plastic Main Door Assembly	10
Main Door “Steel” Assembly	11
Main Door Switch Assembly (For Plastic Door)	12
Main Door Switch Assembly (For Cold Rolled Steel [CRS] Type Door)	13
Basket (Tumbler)/Support Assembly	14
Lint Drawer Assembly	15
Lint Drawer Switch Assembly	16
Upper Pocket Sensor Bracket Assembly	17
Lower Pocket Sensor Bracket Assembly	18
Idler Bearing Assembly	19
Basket (Tumbler) Bearing Assembly	20, 21
T.E.F.C. Motor Mount Assembly	22, 23
Direct Spark Ignition (DSI) Gas Valve/Burner Assembly	24, 25
Gas Piping Assembly	26
Gas Burner Assembly	27
Sail Switch Assembly	28
3-Phase (3 ϕ) Motor, Electrical Relay Panel Assembly	29
Back Guard Assembly	30
Exhaust Ducting Assembly	31
Additional Parts Available	32



<u>Illus. No.</u>	<u>Part No.</u>	<u>Qty.</u>	<u>Description</u>
1	882691	1	White Locking Control Door Complete (includes illus. nos. 1 through 3)
	883466	1	Ivory Locking Control Door Complete (includes illus. nos. 1 through 3)
	882692	1	Almond Locking Control Door Complete (includes illus. nos. 1 through 3)
	882693	1	Blue Locking Control Door Complete (includes illus. nos. 1 through 3)
2	180516	1	Black Trim
3	150201	5	#10-32 x 1/4" Phillips Pan Head Screw
4	154011	4	#10-32 Multi-Thread U-Nut (for models mfd. as of January 4, 2001)
	154009	4	Tinnerman Clips (for models mfd. prior to January 4, 2001)
5	150217	4	#10-32 x 3/4" Phillips Pan Head Machine Screw
6	160040	1	ACE® Control Door Lock
7	160140	1	ACE® Key XX4451



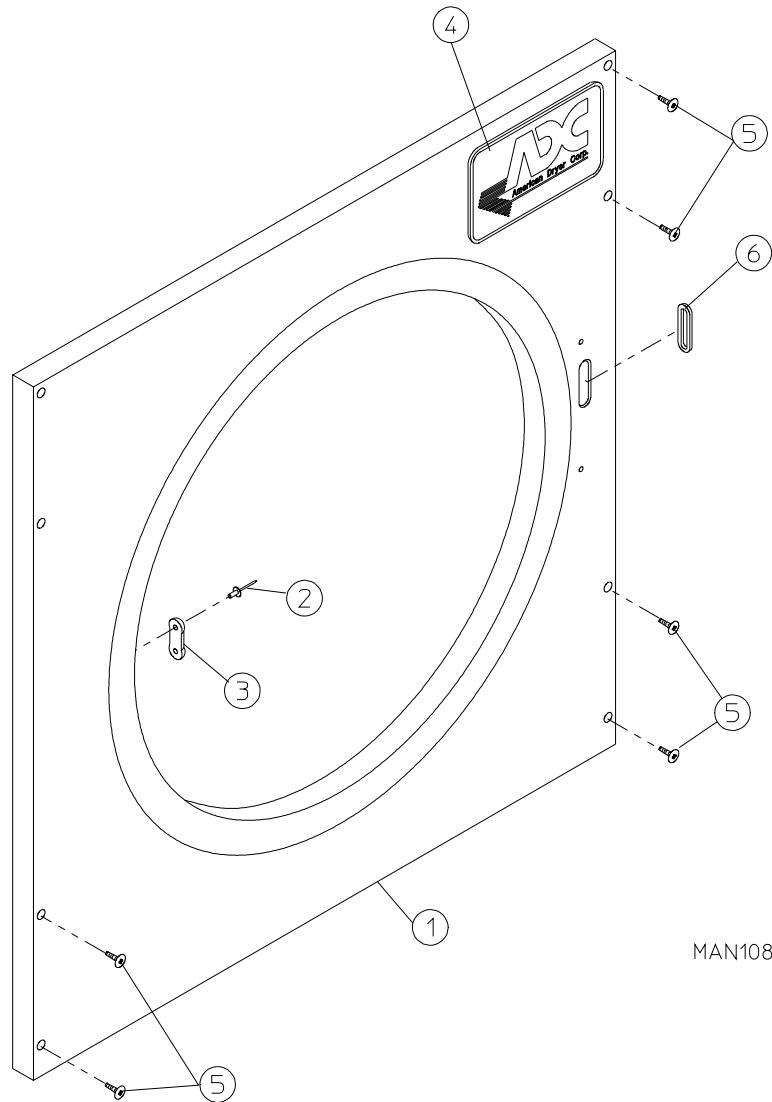
<u>Illus. No.</u>	<u>Part No.</u>	<u>Qty.</u>	<u>Description</u>
1	112526	1	Coin Keyboard (touch pad) Label Assembly
2	882694	1	Control Panel Assembly Less Acceptor (includes illus. nos. 1, 2, and 10 through 12)
3	882695	1	White Coin Box
	883467	1	Ivory Coin Box
	882696	1	Almond Coin Box
	882697	1	Blue Coin Box
4	160042	1	ACE® Standard Coin Box Lock Assembly ONLY with Key
5	160136*	1	Key ONLY (for standard coin box lock)
6	881163	1	Microprocessor Single Coin Acceptor with Optical Switch
7	881143	1	Optical Switch ONLY

<u>Illus. No.</u>	<u>Part No.</u>	<u>Qty.</u>	<u>Description</u>
8	137021**	3	Microprocessor Socket ONLY
9	137023**	1	Optical Switch Connector ONLY
	880772	1	Single Coin Optic Switch Harness
	824080	1	Dual Coin Optic Switch Harness
10	137213	1	Phase 5 Coin Controller ONLY
	824998	1	Phase 5 Battery Clip
11	153010	2	#6 Star Washer
12	150005	2	#6-32 x 1/4" Phillips Round Head Machine Screw
13	122706	15	Microprocessor Socket ONLY
14	122641	1	15-Pin Microprocessor Connector ONLY
	122800	1	Microprocessor (female) Pin Extraction Tool
15	136057	1 or 2	1/2-Amp (Slo-Blo) Fuse
16	150002	1 or 2	#6-32 x 1" Round Head Machine Screw
17	136008	1 or 2	3-Position Fuse Block
18	151000	1 or 2	#6-32 Pal Nut
19	824828	1	R.C. Network with Connectors
20	132475	1	2-Pole Contactor
21	150103	2	#8-32 x 3/4" Round Head Machine Screw
22	151001	2	#8-32 Pal Nut
23	824435	1	Control Box Panel Assembly Complete (includes illus. nos. 15 through 23 and 26 through 28)
24	150300	2	#10-16 x 1/2" Hex Washer TEK Screw
25	141403	1	24 VAC Transformer (for 60 Hz models Only)
	132023	1	24 VAC Transformer (for 50 Hz models Only)
26	150002	2	#6-32 x 1" Round Head Machine Screw
27	120715	1	30-Position Terminal Block
28	151000	2	#6-32 Pal Nut
29	151001	6	#8-32 Pal Nut
30	882699	1	White Coin Vault ONLY
	882700	1	Almond Coin Vault ONLY
	882701	1	Blue Coin Vault ONLY
31	153018	4	1/4" Flat Washer
32	152013	4	#6-32 Hex Nut

* Specify key number when ordering.

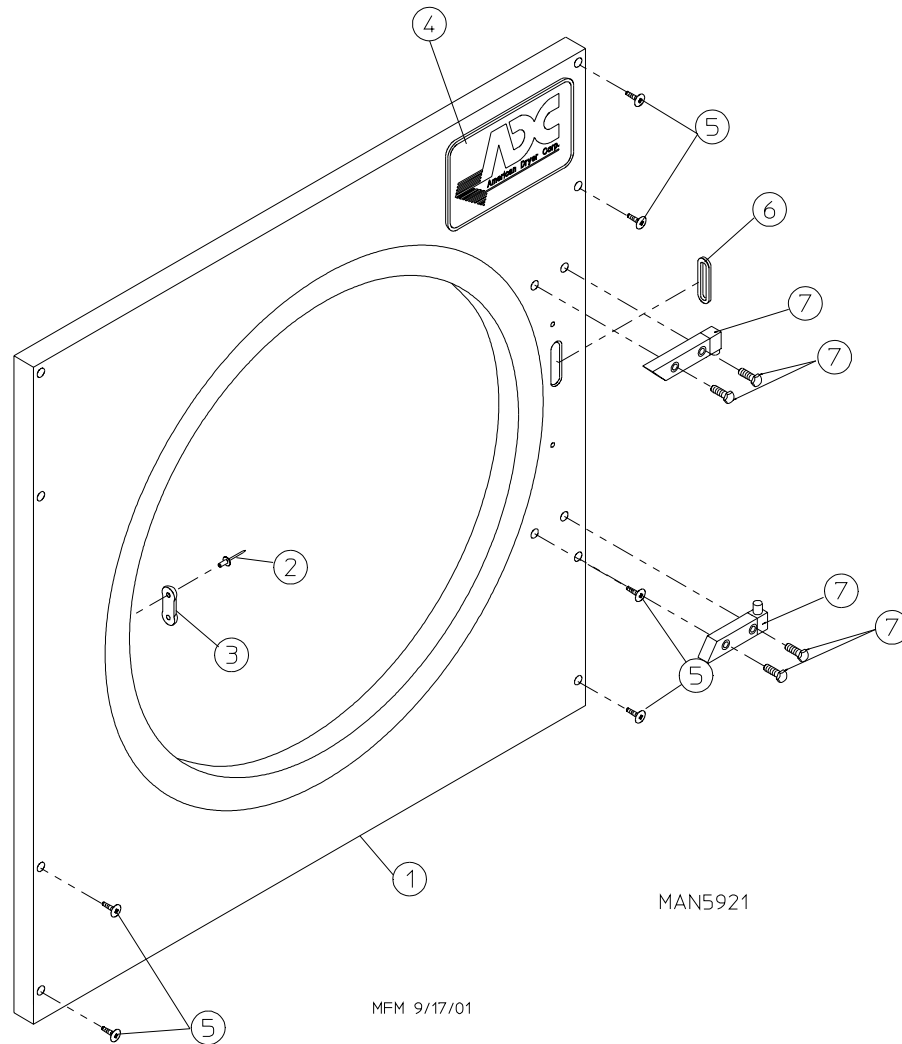
** For dual coin, double the quantity.

IMPORTANT: Check label on computer chip to verify correct part number for controller (computer).

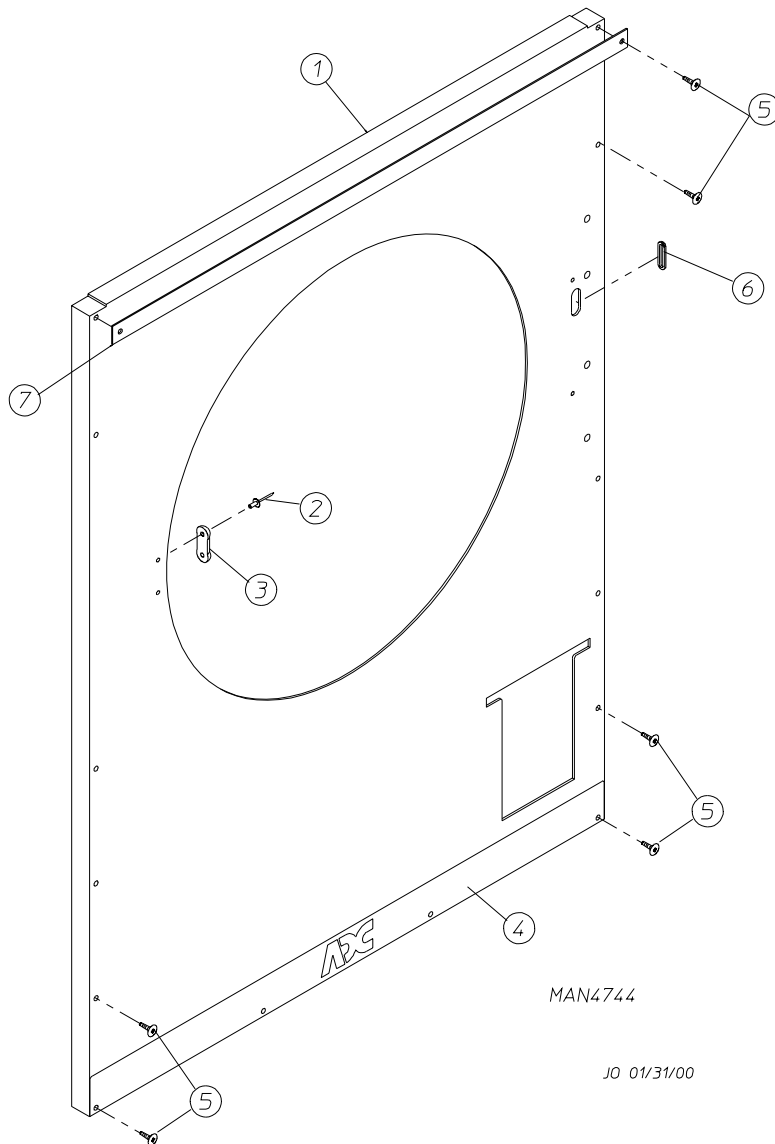


MAN1084

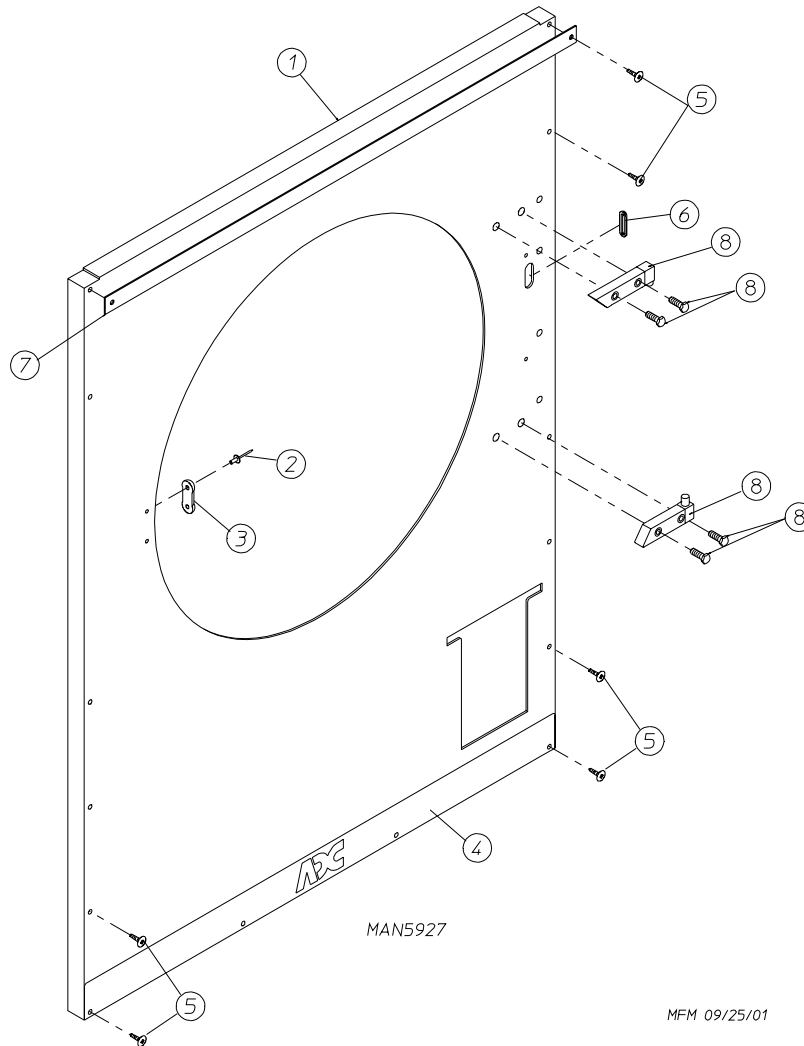
<u>Illus. No.</u>	<u>Part No.</u>	<u>Qty.</u>	<u>Description</u>
1	882705	1	White Upper Front Panel Assembly (includes illus. nos. 1, 2, 3, and 6)
	882706	1	Almond Upper Front Panel Assembly (includes illus. nos. 1, 2, 3, and 6)
	882707	1	Blue Upper Front Panel Assembly (includes illus. nos. 1, 2, 3, and 6)
	883469	1	Ivory Upper Front Panel Assembly (includes illus. nos. 1, 2, 3, and 6)
2	154215	2	1/4" Pop Rivet
3	170330	1	Friction Door Latch
4	112350	1	ADC Logo ONLY
	870011	1	Logo Double Tape Kit
5	150309	8	#10-16 x 1/2" Hex Head TEK Crimptite Screw
	150313	8	#10-16 x 1/2" TORX + BTN, Type 1 (for models mfd. as of October 2, 2000)
6	121405	1	Rubber Grommet



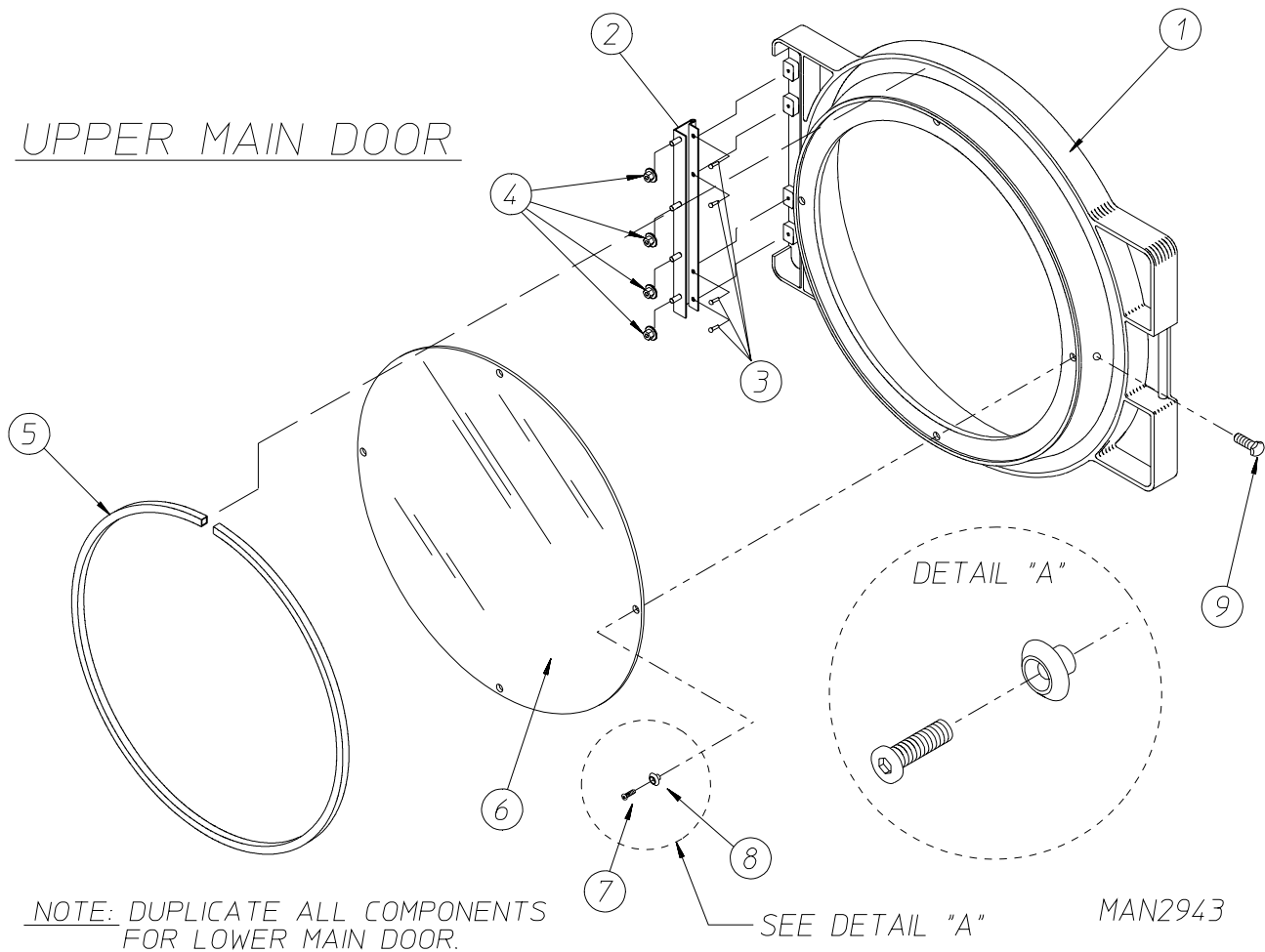
Illus. No.	Part No.	Qty.	Description
1	883260	1	White Upper Front Panel Assembly (includes illus. nos. 1, 2, 3, and 6)
	883262	1	Almond Upper Front Panel Assembly (includes illus. nos. 1, 2, 3, and 6)
	883261	1	Blue Upper Front Panel Assembly (includes illus. nos. 1, 2, 3, and 6)
	883468	1	Ivory Upper Front Panel Assembly (includes illus. nos. 1, 2, 3, and 6)
2	154215	2	1/4" Pop Rivet
3	170330	1	Friction Door Latch
4	112350	1	ADC Logo ONLY
	870011	1	Logo Double Tape Kit
5	150309	8	#10-16 x 1/2" Hex Head TEK Crimptite Screw
	150313	8	#10-16 x 1/2" TORX + BTN, Type 1 (for models mfd. as of October 2, 2000)
6	121405	1	Rubber Grommet
7	-----	--	Main Door Hinge (refer to Main Door "Steel" Assembly on page 11)



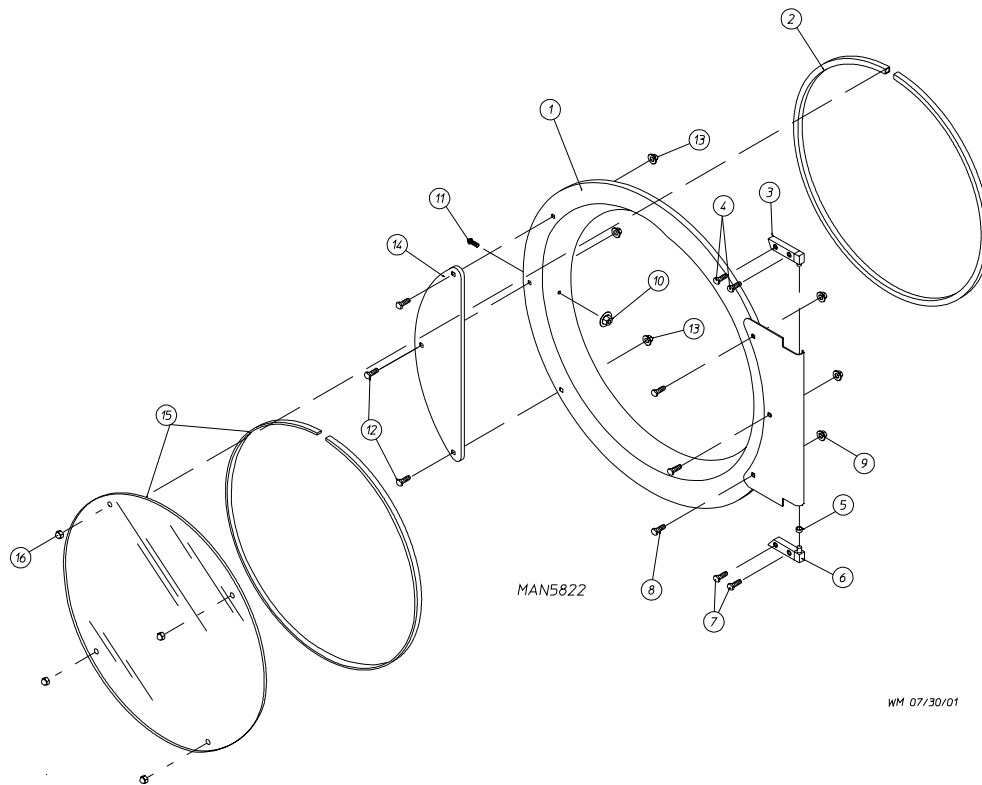
<u>Illus. No.</u>	<u>Part No.</u>	<u>Qty.</u>	<u>Description</u>
1	882702	1	White Lower Front Panel Assembly (includes illus. nos. 1 through 6)
	882703	1	Almond Lower Front Panel (includes illus. nos. 1 through 6)
	882704	1	Blue Lower Front Panel (includes illus. nos. 1 through 6)
	883470	1	Ivory Lower Front Panel (includes illus. nos. 1 through 6)
2	154215	2	1/4" Pop Rivet
3	170330	1	Friction Door Latch
4	315187	1	Kick Plate Trim
5	150309	14	#10-16 x 1/2" Hex Head TEK Crimptite Screw
	150313	14	#10-16 x 1/2" TORX + BTN, Type 1 (for models mfd. as of October 2, 2000)
6	121405	1	Rubber Grommet
7	882602	1	Black Lower Front Panel Trim



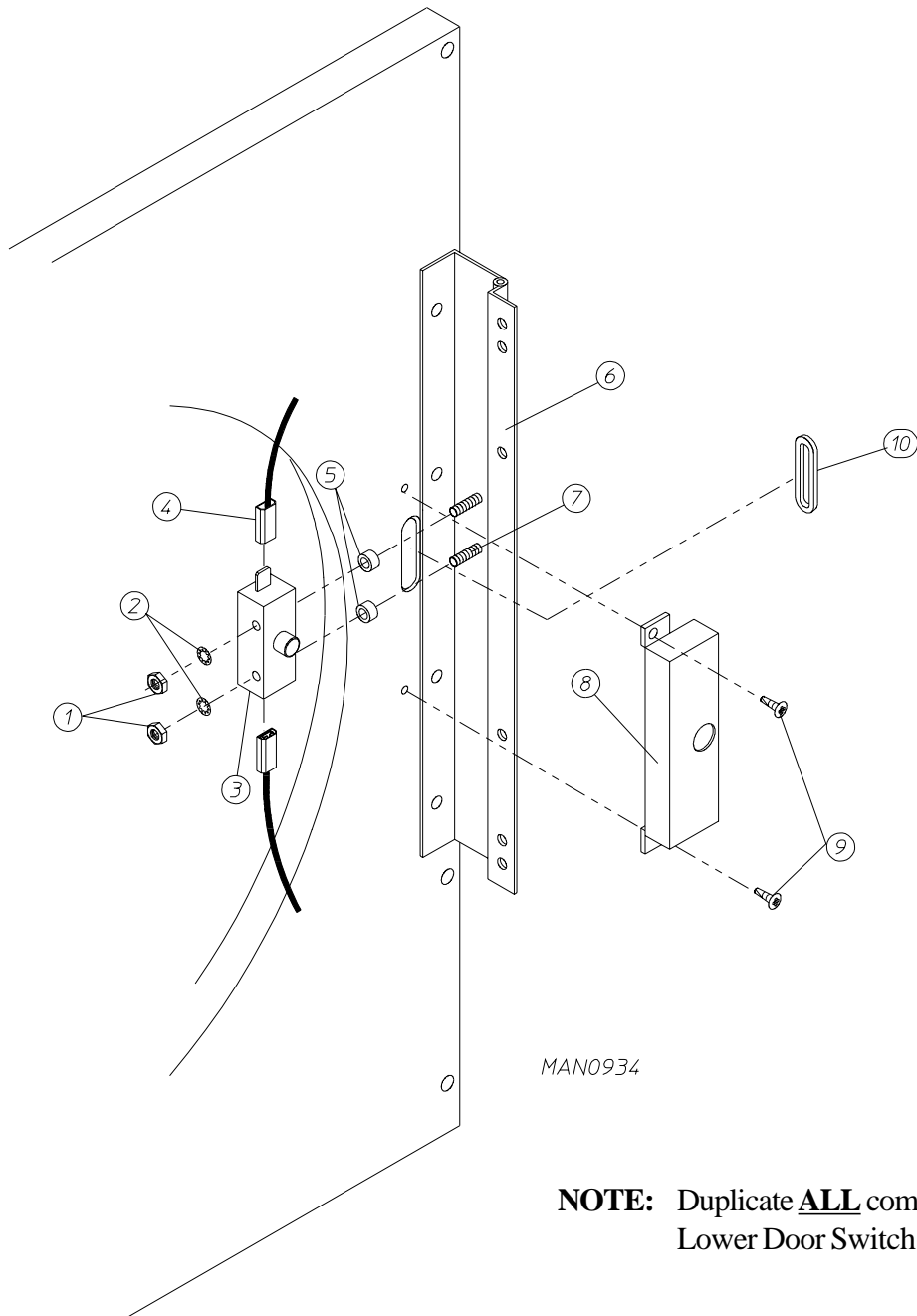
<u>Illus. No.</u>	<u>Part No.</u>	<u>Qty.</u>	<u>Description</u>
1	883479	1	White Lower Front Panel Assembly (includes illus. nos. 1 through 6)
	883481	1	Almond Lower Front Panel (includes illus. nos. 1 through 6)
	883480	1	Blue Lower Front Panel (includes illus. nos. 1 through 6)
	883468	1	Ivory Lower Front Panel (includes illus. nos. 1 through 6)
2	154215	2	1/4" Pop Rivet
3	170330	1	Friction Door Latch
4	315187	1	Kick Plate Trim
5	150309	14	#10-16 x 1/2" Hex Head TEK CrimpTite Screw
	150313	14	#10-16 x 1/2" TORX + BTN, Type 1 (for models mfd. as of October 2, 2000)
6	121405	1	Rubber Grommet
7	882602	1	Black Lower Front Panel Trim
8	-----	--	Main Door Hinge (refer to Main Door "Steel" Assembly on page 11)



<u>Illus. No.</u>	<u>Part No.</u>	<u>Qty.</u>	<u>Description</u>
1	881422	1	Black Plastic Main Door Assembly Complete with Mechanical Fasteners (includes illus. nos. 1 and 5 through 9)
2	800448	4	12-1/2" Stainless Steel Main Door Hinge Assembly
3	150410	4	#10-24 x 3/8" Phillips Pan Head Taptite Screw
4	152014	1	1/4-20 Free Spin Wash Nut
5	102353	1	Main Door Gasket
6	102212	1	20-7/16" Door Glass with (4) Holes
	170730	1	Main Door Glass Adhesive (10.3 oz. cartridge)
7	150448	4	1/2" Stainless Steel Flat Head Allen Screw
8	170319	4	Door Glass (nylon) Spacer
9	150431	1	Main Door Latch Screw (#10 x 7/16" dome hex head)

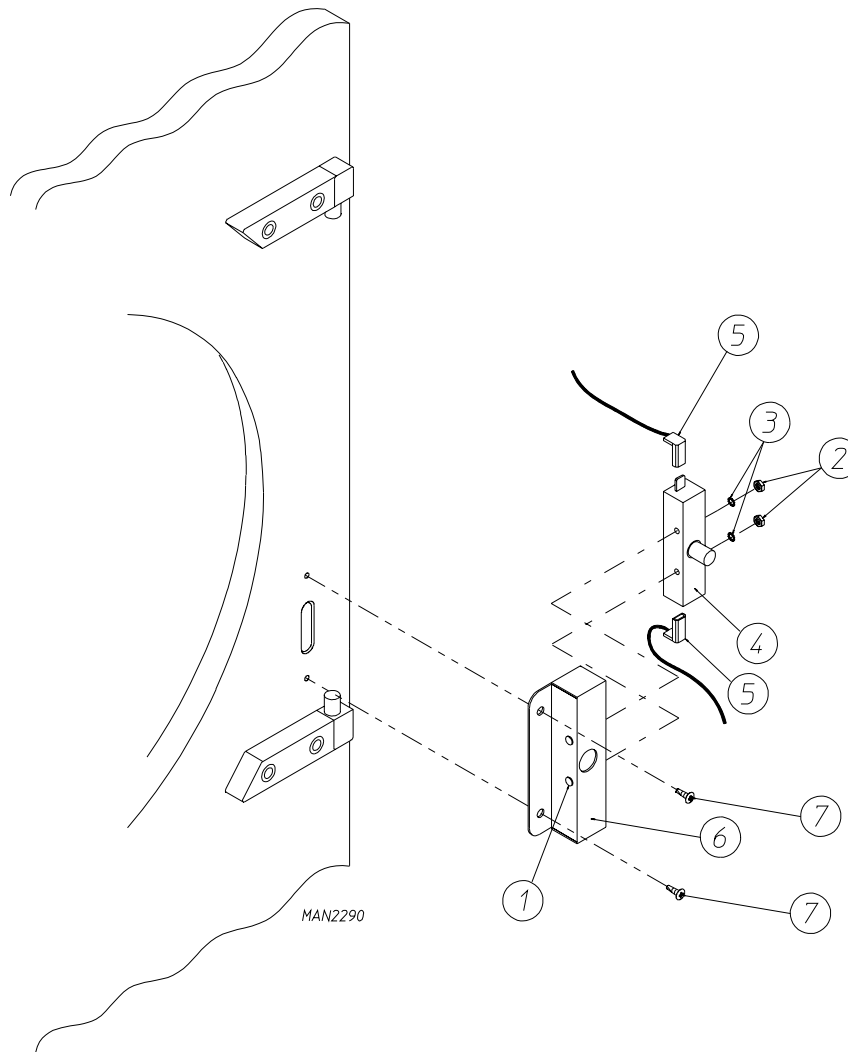


<u>Illus. No.</u>	<u>Part No.</u>	<u>Qty.</u>	<u>Description</u>
1	881150	1	Black Main Door Assembly Complete (includes illus. nos. 1, 2, and 8 through 15)
2	102354	1	Door Gasket
	170730	1	Clear Glass Adhesive (10.3 oz. cartridge)
	170731	1	Black Glass Adhesive (10.3 oz. cartridge)
3	881152	1	Black Top Hinge Block Assembly (includes illus. nos. 3 and 4)
4	150445	2	1/4-20 x 3/4" Black Cap Head Setscrew
5	153031	1	1/4" Nylon Washer
6	881151	1	Black Bottom Hinge Block Assembly (includes illus. nos. 5 through 7)
7	150445	2	1/4-20 x 3/4" Black Cap Head Setscrew
8	150683	3	1/4-20 x 5/8" Black Carriage Bolt
9	152014	3	1/4-20 Free Spin Wash Nut
10	151010	1	#10-32 Black Hex Acorn Nut
11	150120	1	Door Latch Screw
12	150683	3	1/4-20 x 5/8" Black Carriage Bolt
13	152014	3	1/4-20 Free Spin Wash Nut
14	881210	1	Black Main Door Handle ONLY
15	102211	1	20-7/16" Door Glass
	102212	1	20-7/16" Door Glass with Holes
	102360	1	Glass/Door Gasket Tape (for models mfd. as of February 9, 2001)
	170731	1	Black Glass Adhesive (10.3 oz. cartridge) (for models mfd. prior to February 9, 2001)
16	151013	4	#10-32 Black Nylon Acorn Nut for Models with Mechanical Fasteners

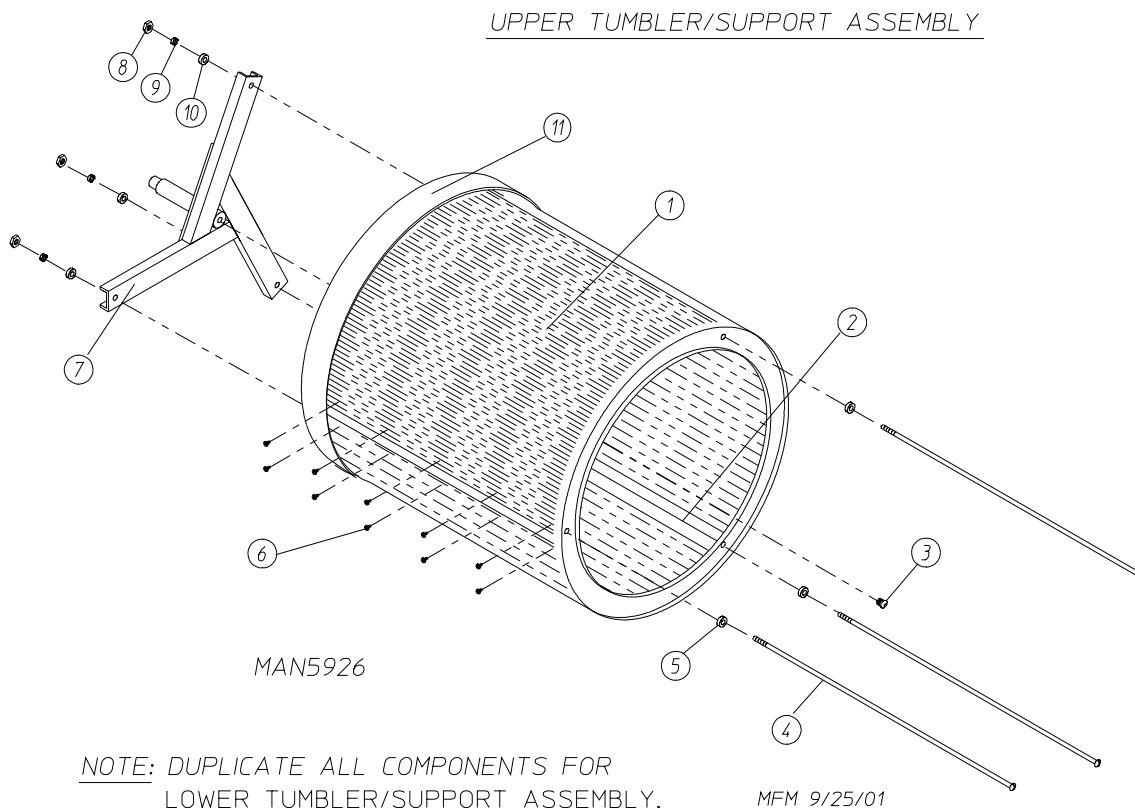


NOTE: Duplicate **ALL** components for Lower Door Switch Assembly.

<u>Illus. No.</u>	<u>Part No.</u>	<u>Qty.</u>	<u>Description</u>
1	152012	2	1/2-20 Hex Nut
2	153008	2	#6 Lock Washer
3	137005	1	Single Pole Door Switch
4	121028	2	1/4" x 0.032 Insulated Terminal
5	154281	2	3/8" Standard Nylon Spacer
6	800448	1	12-1/2" Stainless Steel Main Door Hinge Assembly (includes illus. nos. 6 and 7)
7	153565	2	#6 Stud
8	881246	1	Main Door Switch Housing ONLY
9	150201	2	#10-32 x 1/4" Phillips Pan Head Screw
10	121405	1	Rubber Grommet

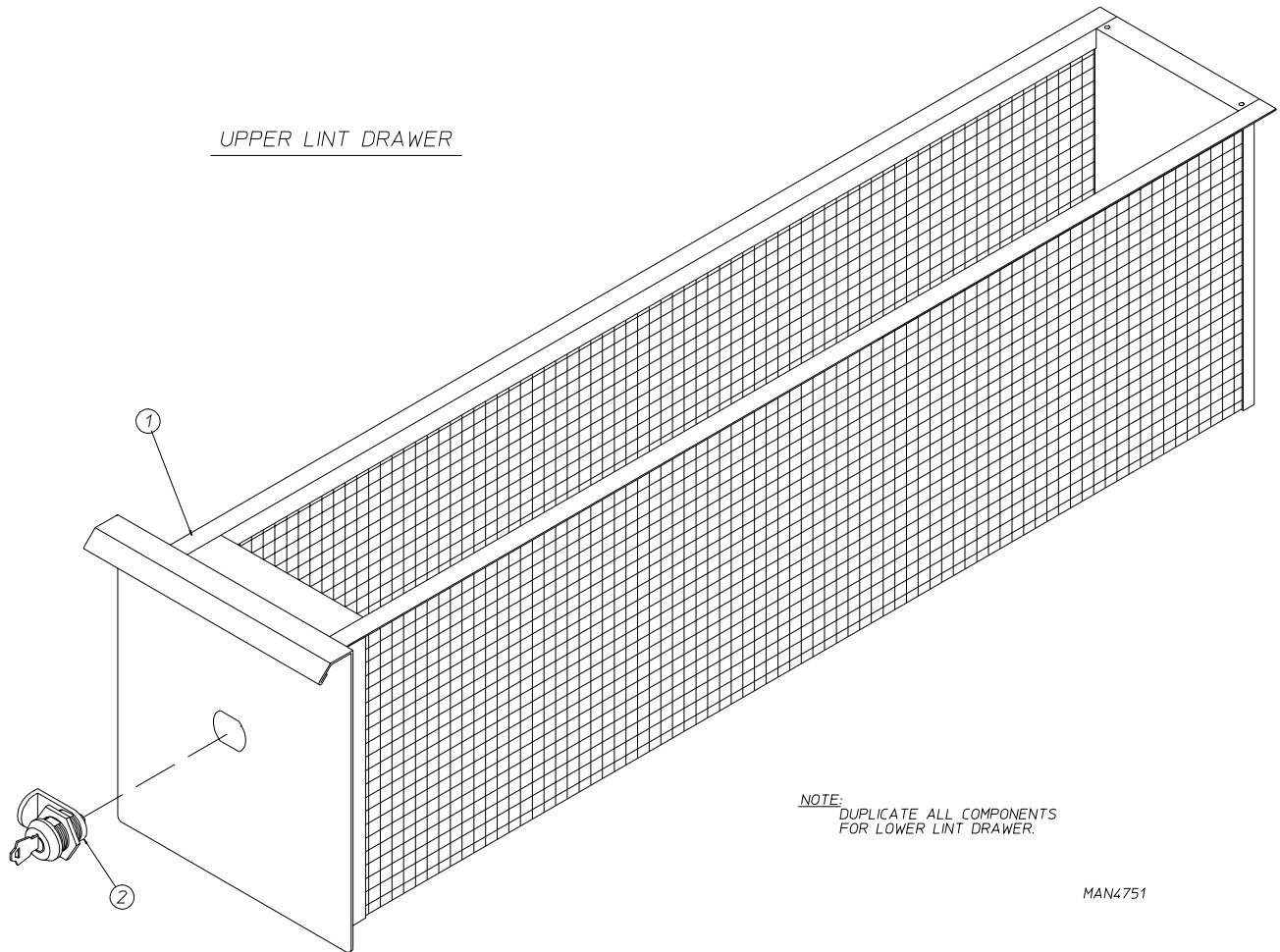


<u>Illus. No.</u>	<u>Part No.</u>	<u>Qty.</u>	<u>Description</u>
1	150006	2	#6-32 x 7/8" Phillips Pan Head Machine Screw
2	152013	2	#6-32 Hex Nut
3	153010	2	#6 Star Washer
4	137005	1	Door Switch ONLY
5	122636	2	Flag Terminal
6	881211	1	Black Main Door Switch Housing ONLY
	881212	1	Beige Main Door Switch Housing ONLY
	881213	1	White Main Door Switch Housing ONLY
	881214	1	Blue Main Door Switch Housing ONLY
	881153	1	Black Main Door Switch Housing Complete (includes illus. nos. 1 through 4 and 6)
	881215	1	Beige Main Door Switch Housing Complete (includes illus. nos. 1 through 4 and 6)
	881216	1	White Main Door Switch Housing Complete (includes illus. nos. 1 through 4 and 6)
	881217	1	Blue Main Door Switch Housing Complete (includes illus. nos. 1 through 4 and 6)
7	150301	2	#8-18 x 7/16" Phillips Pan Head TEK Screw

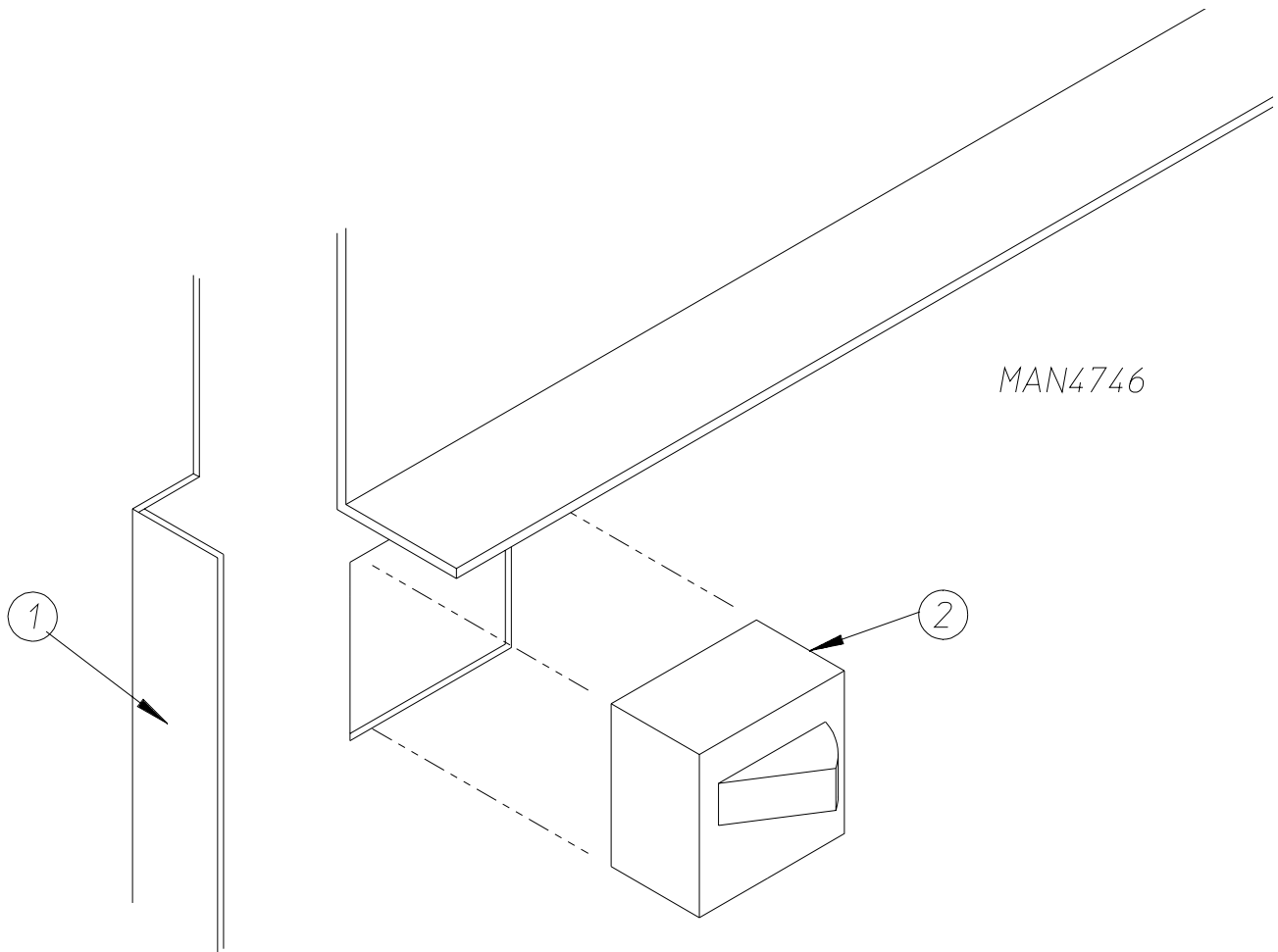


<u>Illus. No.</u>	<u>Part No.</u>	<u>Qty.</u>	<u>Description</u>
1	800831	1	Basket (tumbler) and Support Assembly Complete with Felt Collar (includes illus. nos. 1 through 11)
	800721*	1	Basket (tumbler) ONLY (includes illus. nos. 1, 2, and 6)
	800891	1	Stainless Steel Basket (tumbler) and Support Assembly Complete with Felt Collar (includes illus. nos. 1 through 11)
	800841*	1	Stainless Steel Basket (tumbler) ONLY (includes illus. nos. 1, 2, and 6)
2	301315	2	Short Basket (tumbler) Rib ONLY
	301316	1	Tall Basket (tumbler) Rib ONLY
	301414	2	Stainless Steel Short Basket (tumbler) Rib ONLY
	301415	1	Stainless Steel Tall Basket (tumbler) Rib ONLY
3	150518	1	5/16-18 x 3/8" Socket Button Head Screw
4	100902	3	5/16-18 x 31" Tie Rod
5	153001	3	5/16" Flat Washer
6	154210	30	5/32" x 3/16" Pop Rivet
7	800617	1	Basket (tumbler) Support ONLY
8	152004	3	5/16-18 Hex Nut
9	153002	3	5/16" Lock Washer
10	153001	3	5/16" Flat Washer
11	116003	1	Felt Collar ONLY
	401010	1	#847 Adhesive for Felt Collar (5 oz. tube)...Not Illustrated

* Felt collar is not included and **must be** ordered separately.

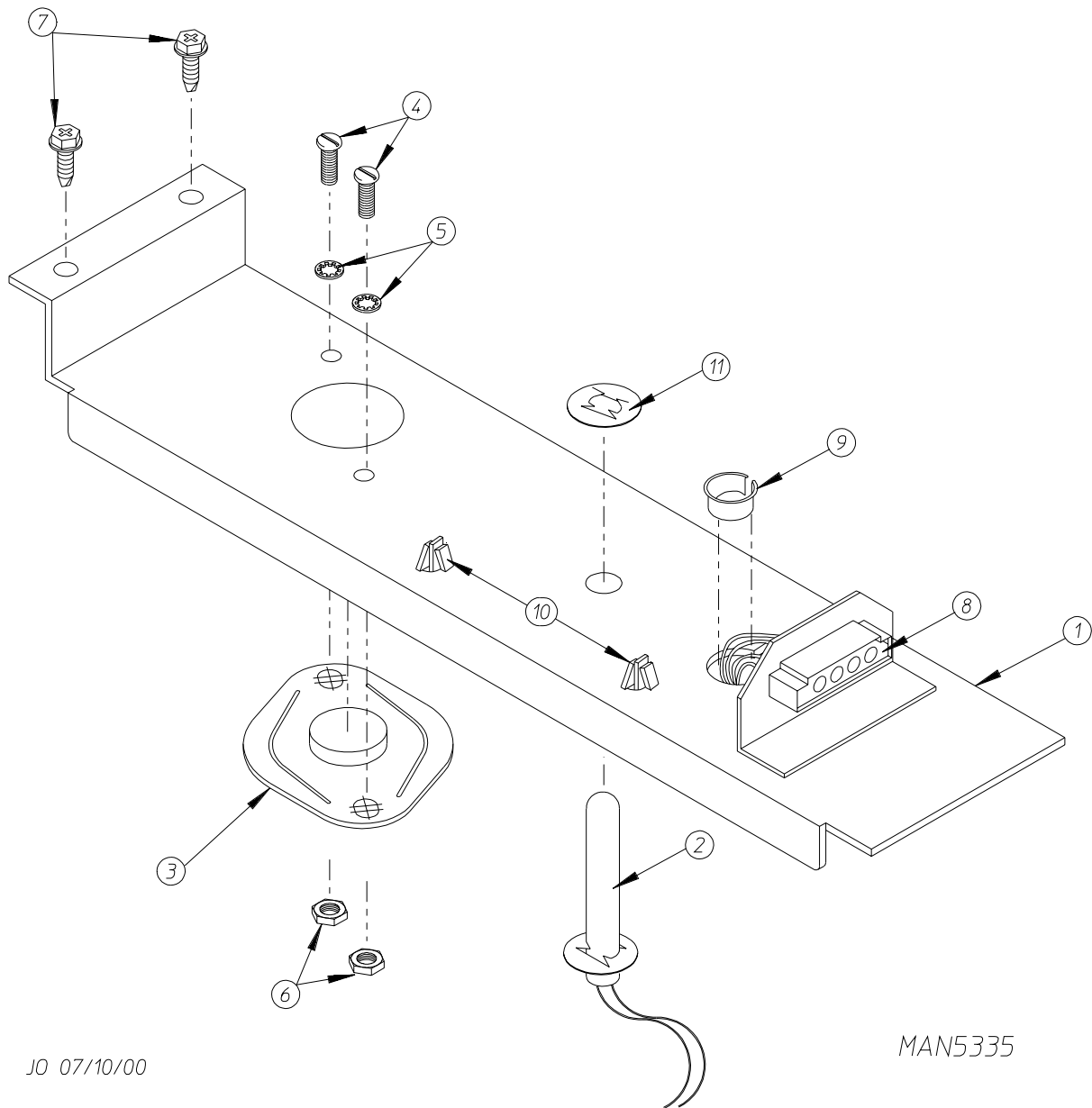


<u>Illus. No.</u>	<u>Part No.</u>	<u>Qty.</u>	<u>Description</u>
1	882711	1	White Locking External Lint Drawer
	882712	1	Almond Locking External Lint Drawer
	882713	1	Blue Locking External Lint Drawer
	883471	1	Ivory Locking External Lint Drawer
	882708	1	White External Lint Drawer
	882709	1	Almond External Lint Drawer
	882710	1	Blue External Lint Drawer
	883472	1	Ivory External Lint Drawer
	2	882478	1



<u>Illus. No.</u>	<u>Part No.</u>	<u>Qty.</u>	<u>Description</u>
1	800972	1	Lint Drawer Switch Box (for bottom pocket Only)
2	122002*	1	Lint Drawer Switch
	150301	1	#8-18 x 7/16" Phillips Pan Head TEK Screw...Not Illustrated (for bottom pocket Only)

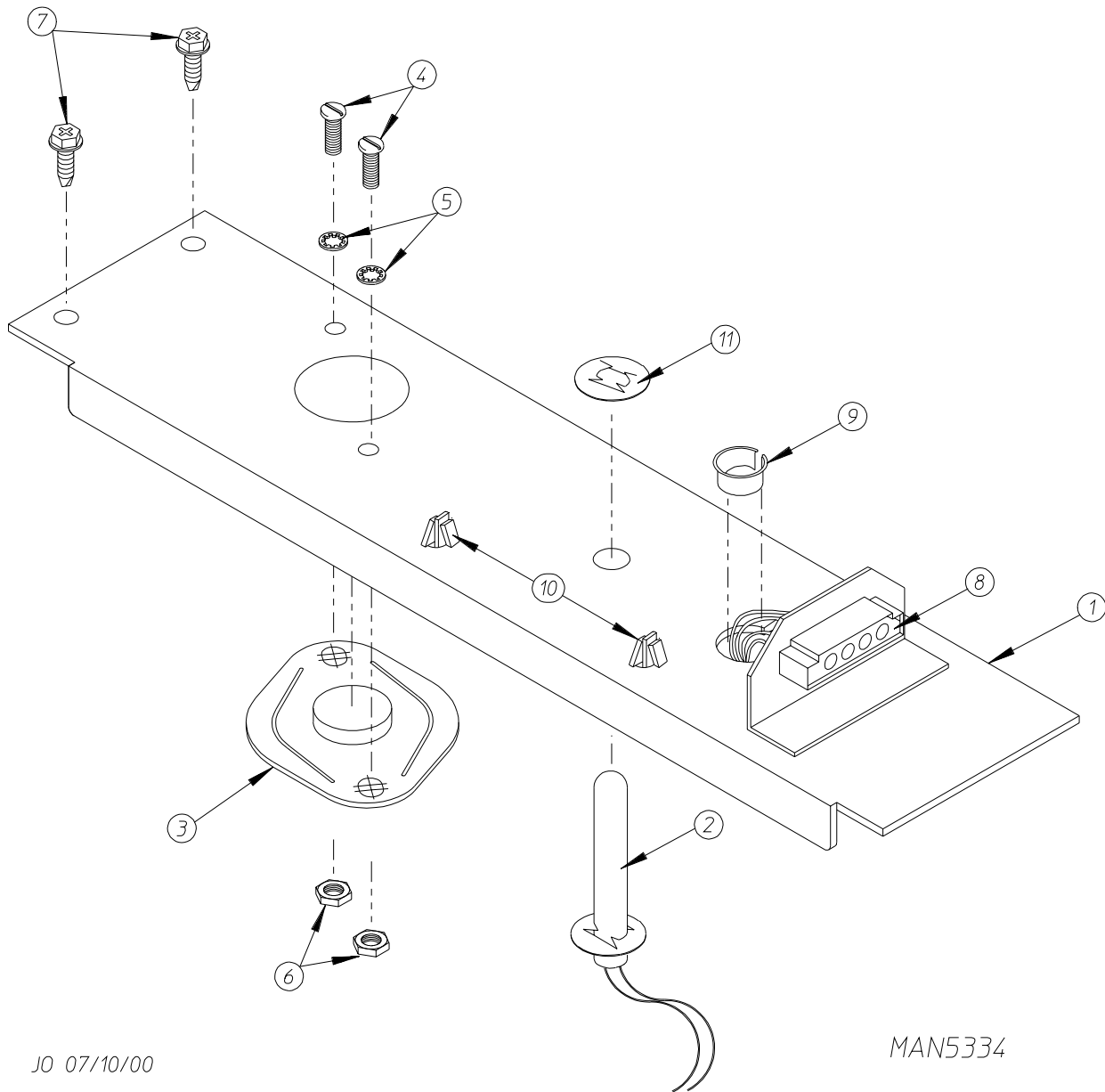
* **NOTE:** Duplicate lint drawer switch for upper pocket.



JO 07/10/00

MAN5335

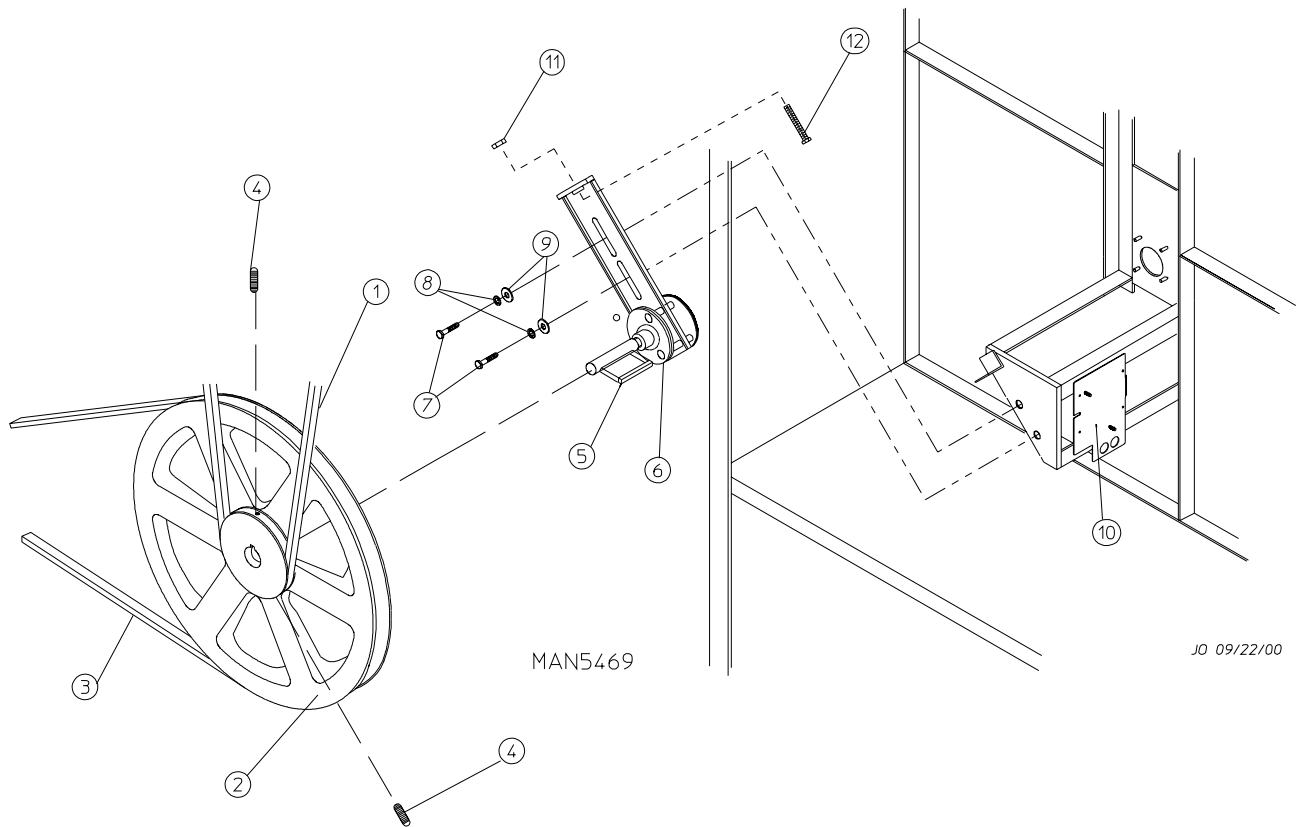
<u>Illus. No.</u>	<u>Part No.</u>	<u>Qty.</u>	<u>Description</u>
1	800769	1	Temperature Sensor Bracket
	882726	1	Temperature Sensor Bracket Complete (includes illus. nos. 1 through 11)
2	882931	1	Temperature Sensor Probe
3	130112	1	225° Automatic Reset Thermostat
4	150000	2	#6-32 x 1/4" Round Head Machine Screw
5	153010	2	#6 Star Washer
6	152000	2	#6-32 Hex Nut
7	150309	2	#10-16 x 1/2" Hex Head TEK Crimptite Screw
8	825092	1	Sensor Harness
9	121300	1	Open/Closed Bushing
10	121494	2	3/16" Push Mount Wire Tie
11	154007	2	1/4" Tinnerman Push On Fastener



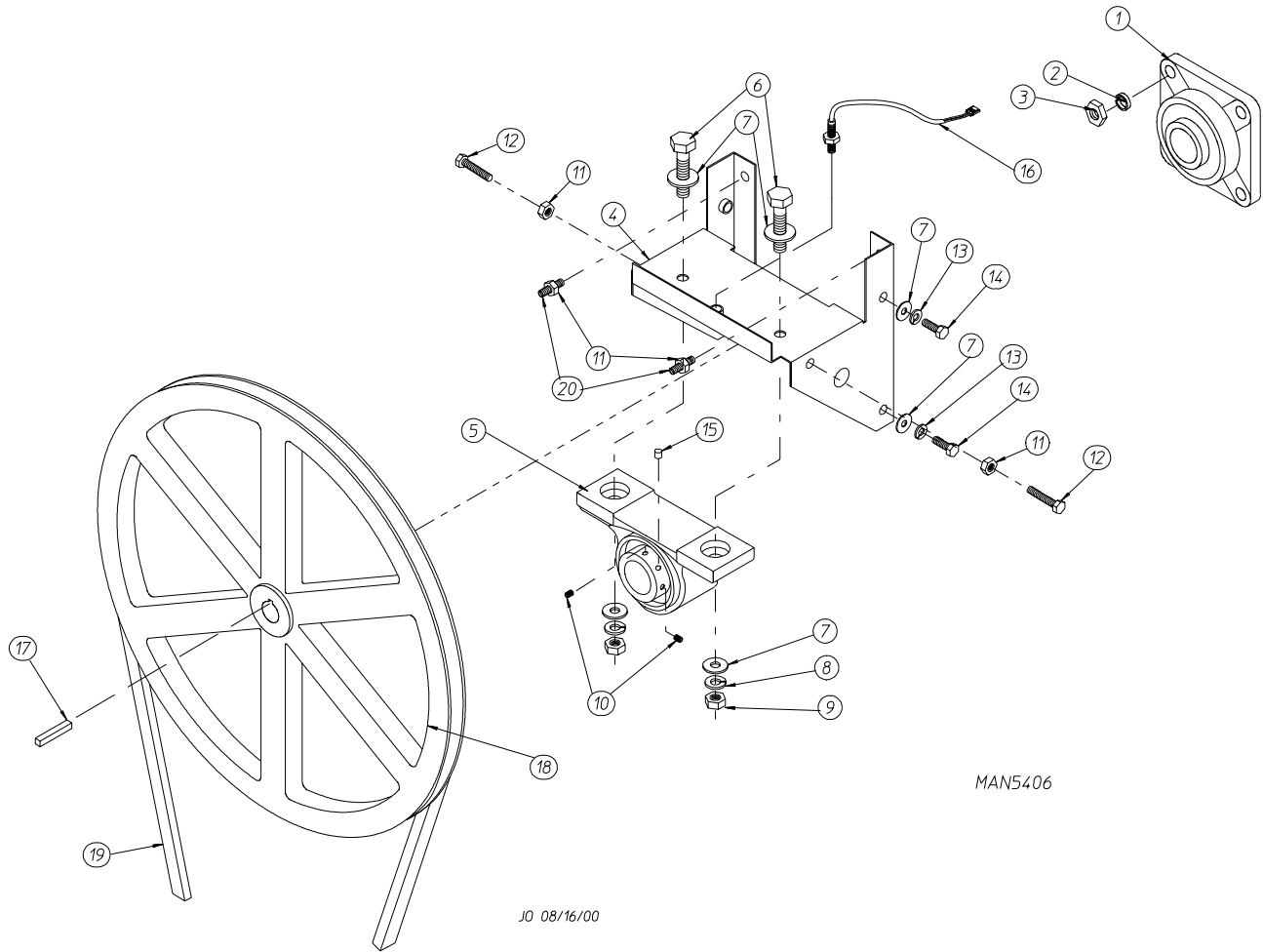
JO 07/10/00

MAN5334

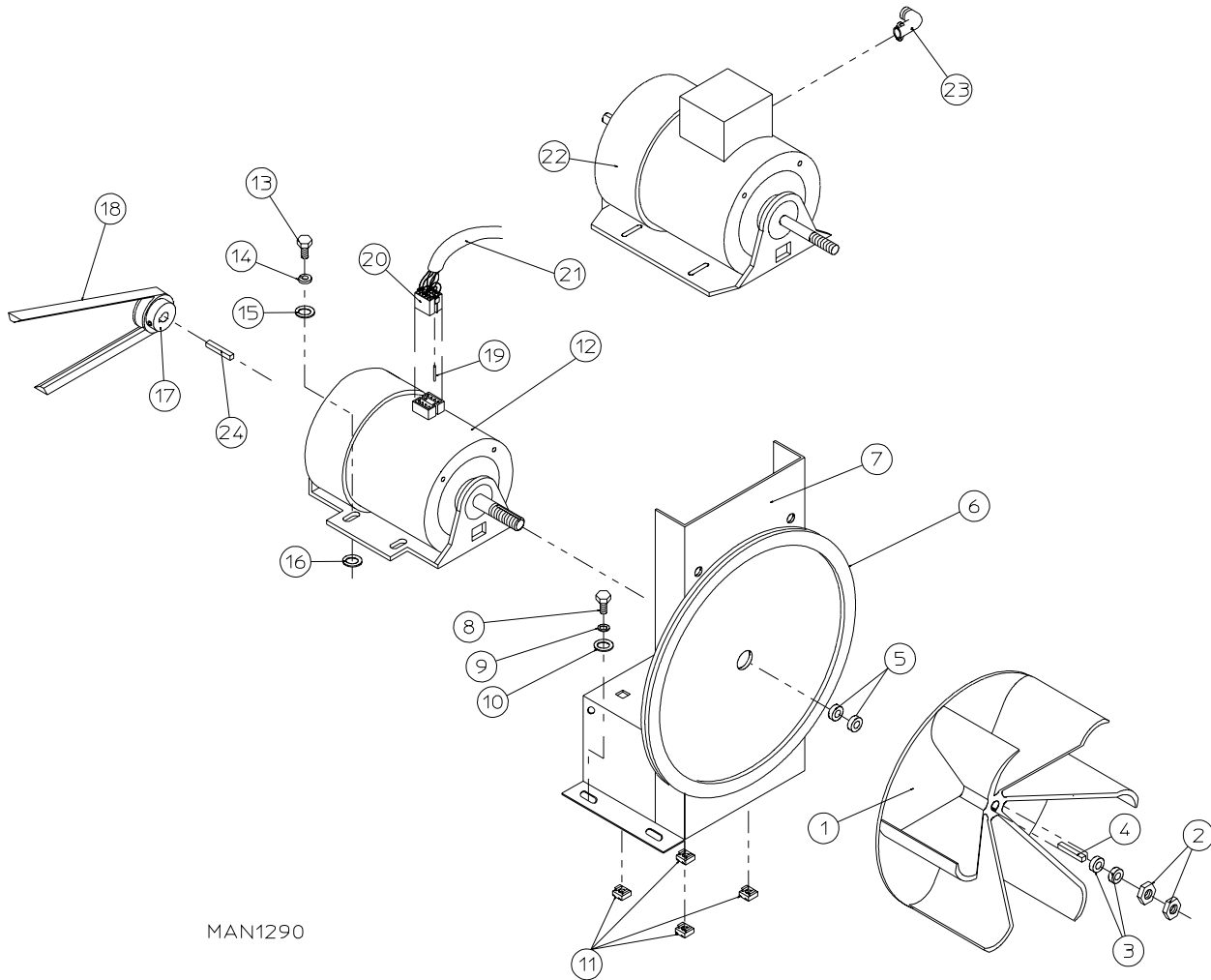
<u>Illus. No.</u>	<u>Part No.</u>	<u>Qty.</u>	<u>Description</u>
1	800770	1	Temperature Sensor Bracket ONLY
	882727	1	Temperature Sensor Bracket Complete (includes illus. nos. 1 through 11)
2	882931	1	Temperature Sensor Probe
3	130112	1	225° Automatic Reset Thermostat
4	150000	2	#6-32 x 1/4" Round Head Machine Screw
5	153010	2	#6 Star Washer
6	152000	2	#6-32 Hex Nut
7	150309	2	#10-16 x 1/2" Hex Head TEK Crimpite Screw
8	825092	1	Sensor Harness
9	121300	1	Open/Closed Bushing
10	121494	2	3/16" Push Mount Wire Tie
11	154007	2	1/4" Tinnerman Push On Fastener



<u>Illus. No.</u>	<u>Part No.</u>	<u>Qty.</u>	<u>Description</u>
1	100100	1	5L-660 V-Belt (to basket [tumbler] pulley)
2	101129	1	9" x 2-1/2" Pulley with 3/16" Key
3	100113	1	4L-400 V-Belt (to motor pulley) for 60 Hz Models ONLY
	100115	1	4L-410 V-Belt (to motor pulley) for 50 Hz Models ONLY
4	154301	2	5/16-18 x 5/16" Allen Setscrew
5	100705	1	3/16" x 3/16" x 1-3/8" Key
6	801155	1	Idler Bearing Assembly Complete
7	150617	2	3/8-16 x 1" Hex Head Machine Bolt
8	153005	2	3/8" Lock Washer
9	153004	2	3/8" Flat Washer
10	-----	-	Direct Spark Ignition (DSI) Module Mounting Bracket (refer to Direct Spark Ignition [DSI] Gas Valve/Burner Assembly on page 24 and page 25)
11	152004	1	5/16-18 Hex Nut
12	150509	1	5/16-18 x 3" Hex Head Machine Bolt



<u>Illus. No.</u>	<u>Part No.</u>	<u>Qty.</u>	<u>Description</u>
1	880203	1	1-3/8" Flange Bearing ONLY
2	153005	4	3/8" Lock Washer
3	152005	4	3/8-16 Hex Nut
4	882544	1	Pillow Block Bearing Assembly Complete (includes illus. nos. 4 through 16 and 20)
	882545	1	Bearing Assembly Complete (for models mfd. with rotational sensor)
	882542	1	Bearing Support ONLY
	882543	1	Bearing Support ONLY (for models mfd. with rotational sensor)
5	880202	1	1-3/8" Pillow Block Bearing ONLY
	880779	1	1-3/8" Pillow Block Bearing (for models mfd. with rotational sensor)
6	150601	2	3/8-16 x 2" Hex Bolt
7	153004	8	3/8" Flat Washer
8	153005	2	3/8" Lock Washer
9	152005	2	3/8-16 Hex Nut
10	154326	2	5/16-24 x 3/8" Black Setscrew
11	152004	4	5/16-18 Hex Nut
12	150621	2	5/16-18 x 1-1/2" Tap Bolt
13	153002	4	5/16" Lock Washer
14	150501	4	5/16-18 x 3/4" Tap Bolt
15	102120	1	Sintered 8 Magnet
16	824807	1	Rotational Sensor Assembly (for models mfd. with rotational sensor)
17	100713	1	1/4" x 1/4" x 7/8" Key
18	101100	1	18" Pulley
19	100100	1	5L-660 V-Belt (to idler assembly)
20	150610	2	5/16-18 x 1-1/2" Allen Setscrew



MAN1290

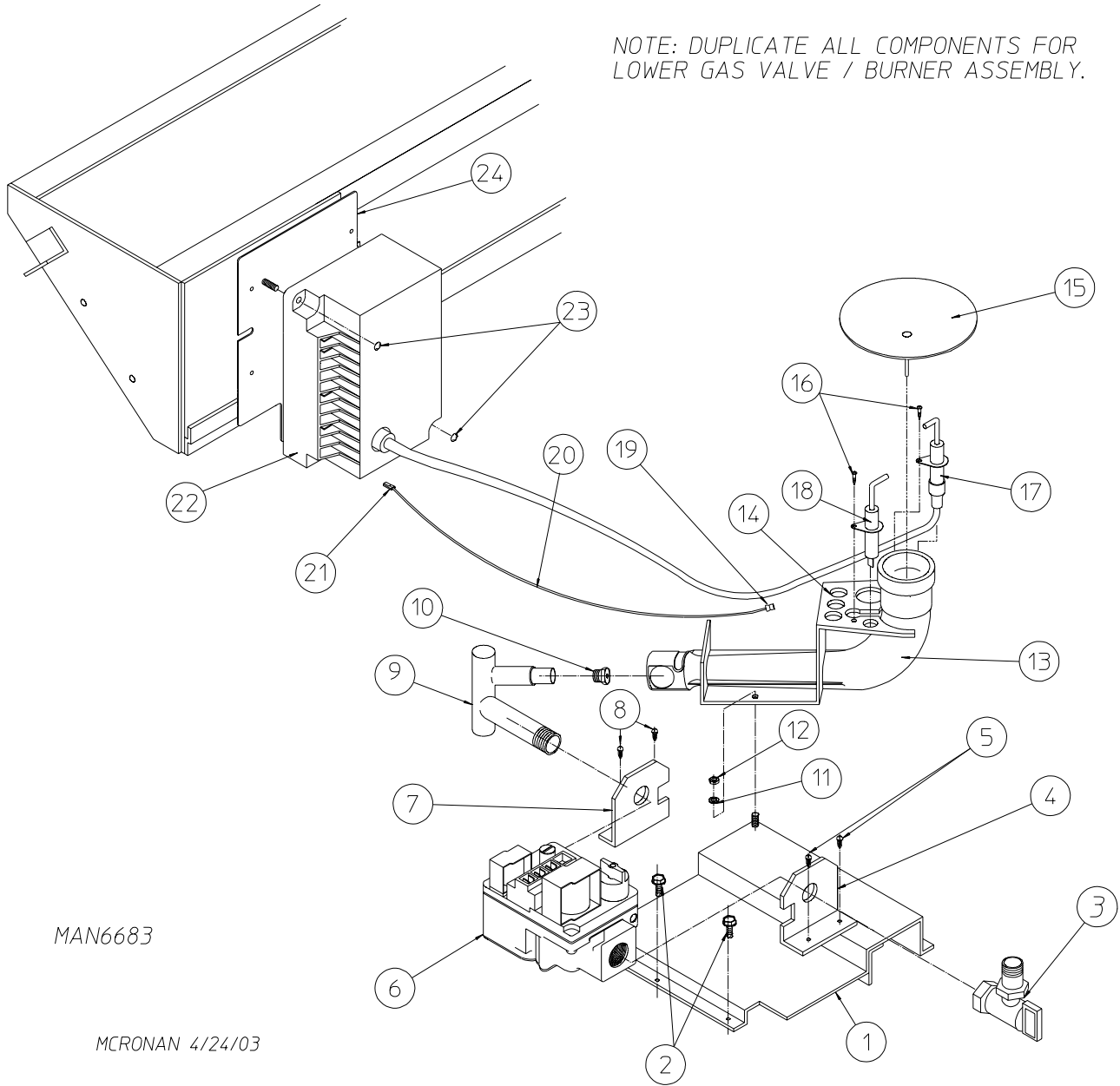
<u>Illus. No.</u>	<u>Part No.</u>	<u>Qty.</u>	<u>Description</u>
1	100604	1	12-1/2" Impellor with 1/2" Bore
2	152006	2	1/2-20 Left Hand Jam Nut
3	153050	*	1/2" S.A.E. Flat Washer
4	100702	1	1/8" x 1/8" x 1-1/2" Key
5	153050	*	1/2" S.A.E. Flat Washer
6	117604	4	Noise Suppression Tape (sold by the foot)
7	850019	1	Motor Mount ONLY
	803963	1	1/2 HP 100-50 Hz 115-230v 1ø 60 Hz Totally Enclosed, Fan-Cooled (T.E.F.C.) Motor Mount Assembly Complete with Plug Motor (includes illus. nos. 1 through 7 and 11 through 17)
	803961	1	1/2 HP 240v 1ø 50 Hz Totally Enclosed, Fan-Cooled (T.E.F.C.) Motor Mount Assembly Complete with Plug Motor (includes illus. nos. 1 through 7 and 11 through 17)
	803902**	1	1/2 HP 208/230/380/460v 3ø 50 Hz Totally Enclosed, Fan-Cooled (T.E.F.C.) Motor Mount Assembly Complete (includes illus. nos. 1 through 7, 11, 13 through 17, 22, and 23)
	880848**	1	1/2 HP 208/230/380/460v 3ø 60 Hz Totally Enclosed, Fan-Cooled (T.E.F.C.) Motor Mount Assembly Complete (includes illus. nos. 1 through 7, 11, 13 through 17, 22, and 23)

<u>Illus. No.</u>	<u>Part No.</u>	<u>Qty.</u>	<u>Description</u>
8	150501	4	5/16-18 x 3/4" Hex Head Machine Bolt
9	153002	4	5/16" Lock Washer
10	153001	4	5/16" Flat Washer
11	154000	4	5/16-18 Tinnerman Nut
12	100065	1	1/2 HP 100-230v 1 ϕ 50/60 Hz Totally Enclosed, Fan-Cooled (T.E.F.C.) Motor with Plug
	100066	1	1/2 HP 240v 1 ϕ 50 Hz Totally Enclosed, Fan-Cooled (T.E.F.C.) Motor with Plug
13	150501	4	5/16-18 x 3/4" Hex Head Machine Bolt
14	153002	4	5/16" Lock Washer
15	153001	4	5/16" Flat Washer
16	153001	*	5/16" Flat Washer
17	101131	1	1/2" x 2-1/4" Motor Pulley (for use on 1 ϕ , 60 Hz models Only)
	101133	1	5/8" x 2-1/4" Motor Pulley (for use on 3 ϕ , 60 Hz models Only)
	101130	1	5/8" x 2-1/2" Motor Pulley (for use on 3 ϕ , 50 Hz models Only)
18	100113	1	4L-400 V-Belt (to idler) for 60 Hz Models ONLY
	100115	1	4L-410 V-Belt (to idler) for 50 Hz Models ONLY
19	122701	8	Socket Terminal ONLY
20	137030	1	8-Pin Housing ONLY
	122801	1	Pin/Socket Extraction Tool...Not Illustrated
21	837005	1	120v 1 ϕ Motor Harness with Plug
	837006	1	230v 1 ϕ Motor Harness with Plug
22	100007	1	1/2 HP 208/230/380/460v 3 ϕ 50/60 Hz Totally Enclosed, Fan-Cooled (T.E.F.C.) Motor
23	120200	1	3/8" x 90° Connector
24	100701	1	3/16" x 3/16" x 1" Key (for use on 3 ϕ models Only)

* As required.

** Specify voltage when ordering.

NOTE: DUPLICATE ALL COMPONENTS FOR LOWER GAS VALVE / BURNER ASSEMBLY.



MAN6683

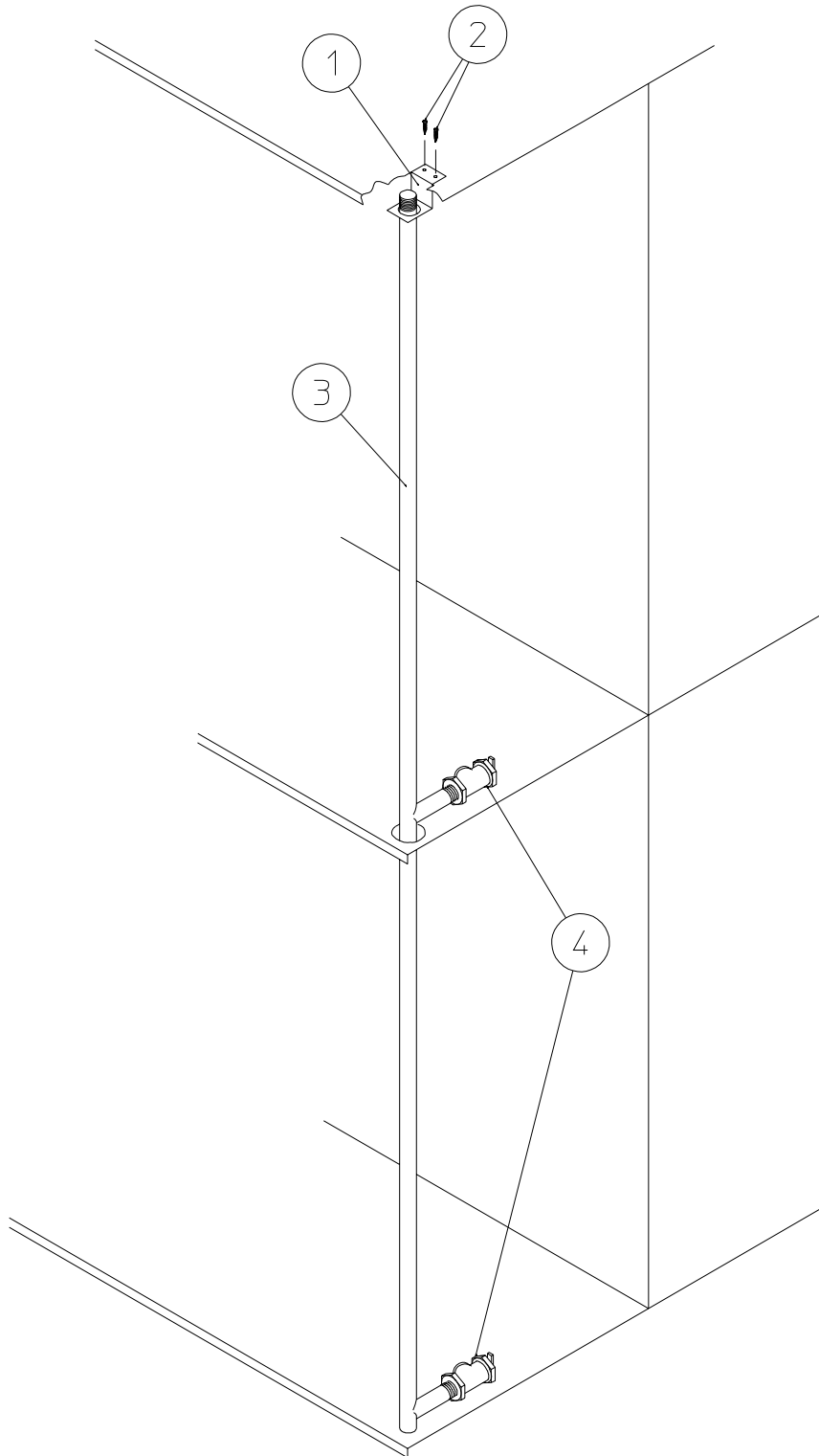
MCRONAN 4/24/03

<u>Illus. No.</u>	<u>Part No.</u>	<u>Qty.</u>	<u>Description</u>
1	850804	1	Direct Spark Ignition (DSI) Gas Valve/Burner Tube Mounting Plate ONLY
	809313*	1	Direct Spark Ignition (DSI) Natural Gas - Gas Valve/Burner Assembly Complete Less Orifice (includes illus. nos. 1, 3, 5 through 10, and 12 through 21)
	809314*	1	Direct Spark Ignition (DSI) Liquid Propane (L.P.) Gas Valve/Burner Assembly Complete Less Orifice (includes illus. nos. 1, 3, 5 through 10, and 12 through 21)
	882396**	1	Liquid Propane (L.P.) Conversion Kit with Orifice
2	150300	2	#10-16 x 1/2" Hex Washer TEK Screw
3	881367	1	Union Shutoff with 1/2" Tailpiece
4	318650	1	Notched Pipe Bracket
5	150301	2	#8-18 x 7/16" Phillips Pan Head TEK Screw
6	128927	1	1/2" 24 VAC Redundant (natural gas) Gas Valve
	140411	1	1/2" 24 VAC Gas Valve Liquid Propane (L.P.) Conversion Kit
7	318650	1	Notched Pipe Bracket
8	150301	2	#8-18 x 7/16" Phillips Pan Head TEK Screw
9	141235	1	1/2" Single Port Manifold
10	140829	1	#18 Burner Orifice (natural gas Only)
	140814	1	#38 Burner Orifice (liquid propane [L.P.] gas Only)
11	153000	1	#8 Steel Burr
12	152001	1	#8-32 Hex Nut
13	141130	1	Direct Spark Ignition (DSI) Up-Shot Burner Tube
14	318009	1	Burner Tube Bracket (PSE)
15	141109	1	Flame Spreader ONLY
16	150315	2	#6 x 3/8" Phillips Pan Head Machine Screw
17	128917	1	Spark Electrode with High Voltage (HV) Wire
	305412	1	Direct Spark Ignition (DSI) Ignitor Gap Feeler Gauge...Not Illustrated
18	128918	1	Flame Sensor Probe
19	121006	1	#10 Insulated Ring Terminal
20	132607	2	#18 Gauge Red Silicone Wire (sold by the foot)
21	121028	1	1/4" x 0.032 Insulated Terminal
22	128935	1	Direct Spark Ignition (DSI) Module with Three (3) Tries (Blue Johnson Controls)
	882627	1	Direct Spark Ignition (DSI) Module Conversion Kit (White ADC type not shown)
23	152013	4	#6-32 Hex Nut
24	824131	1	Direct Spark Ignition (DSI) Module Mounting Bracket

* Burner orifice *is not included* and **must be** ordered separately.

** Consult factory for elevations over 2,000 feet.

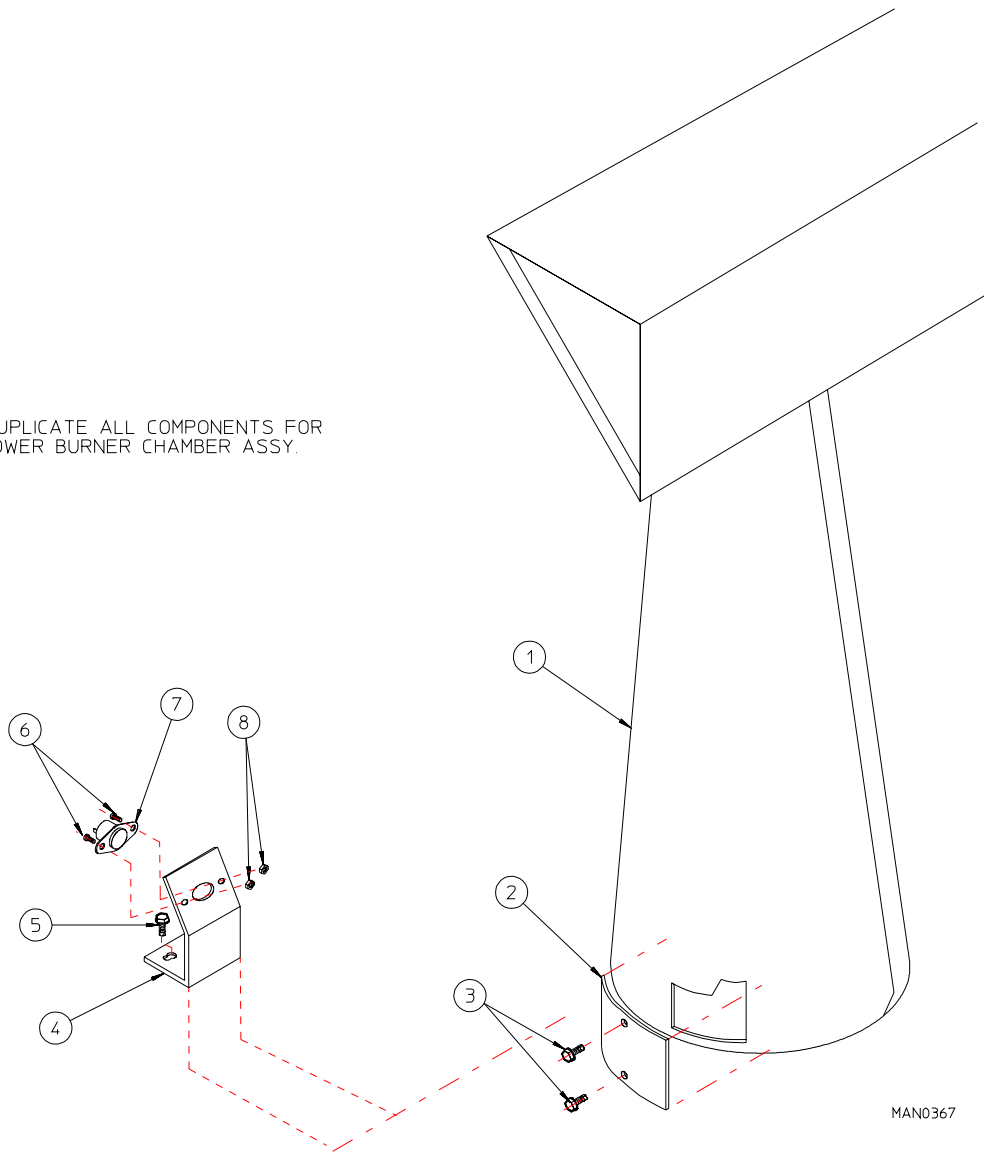
MAN0018



<u>Illus. No.</u>	<u>Part No.</u>	<u>Qty.</u>	<u>Description</u>
1	318702	1	Top Pipe Support Bracket ONLY
2	150300	2	#10-16 x 1/2" Hex Washer TEK Screw
3	141236	1	Gas Piping Manifold
4	881367	2	Union Shutoff with 1/2" Tailpiece

UPPER BURNER CHAMBER ASSY

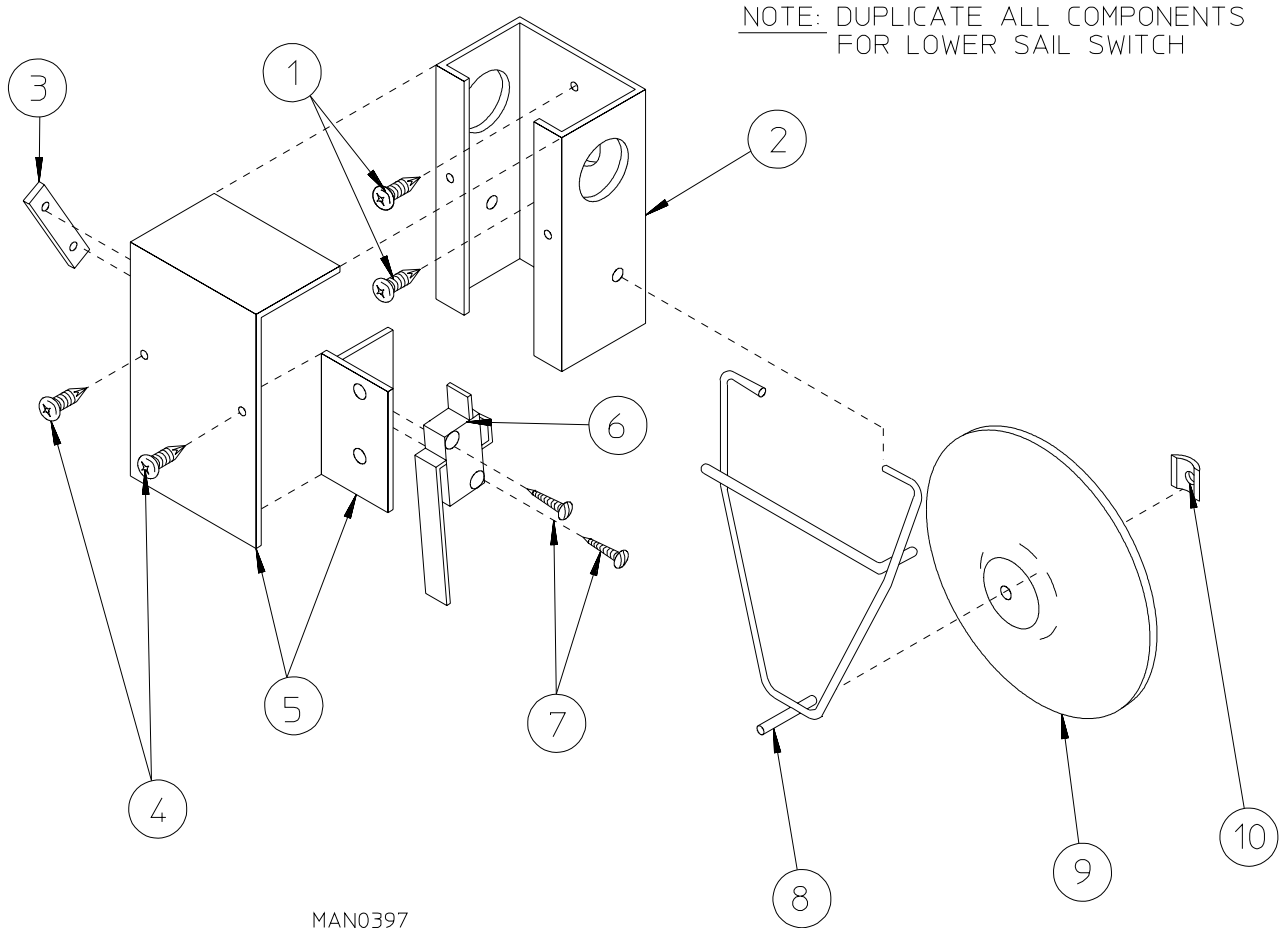
NOTE: DUPLICATE ALL COMPONENTS FOR LOWER BURNER CHAMBER ASSY.



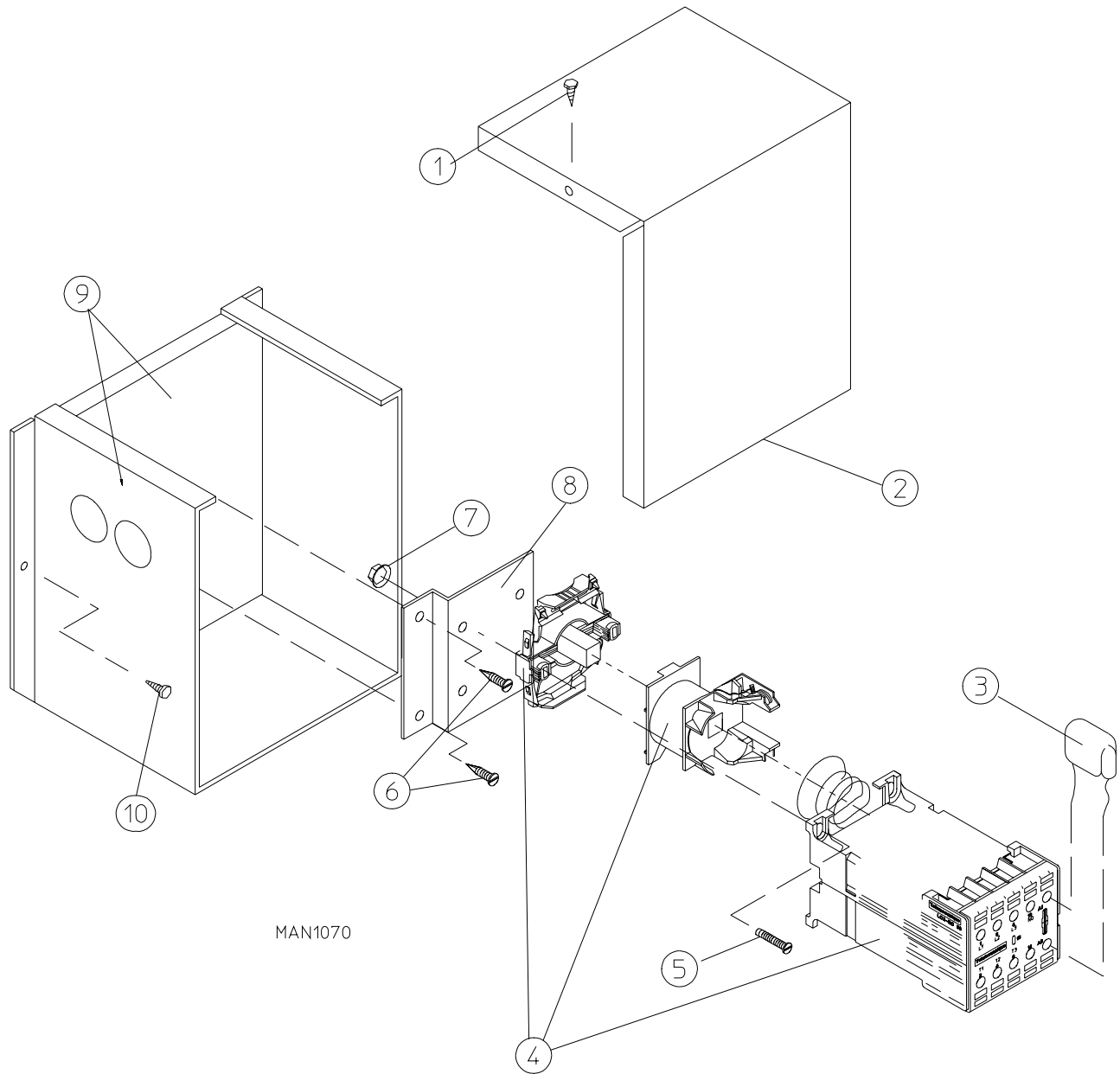
MAN0367

<u>Illus. No.</u>	<u>Part No.</u>	<u>Qty.</u>	<u>Description</u>
1	800526	1	Gas Burner/Electric Oven Chamber Assembly (includes illus. nos. 1 through 3)
2	318006	1	Flame Viewing Plate
3	150300	2	#10-16 x 1/2" Hex Washer TEK Screw
4	802502	1	Hi-Limit Bracket Assembly (includes illus. nos. 4 through 8)
	319710	1	Hi-Limit Bracket ONLY
5	150301	2	#8-18 x 7/16" Phillips Pan Head TEK Screw
6	150001	2	#6-32 x 1/2" Right Hand Machine Screw
7	130103	1	225° Automatic Reset Thermostat
8	151000	2	#6-32 Pal Nut

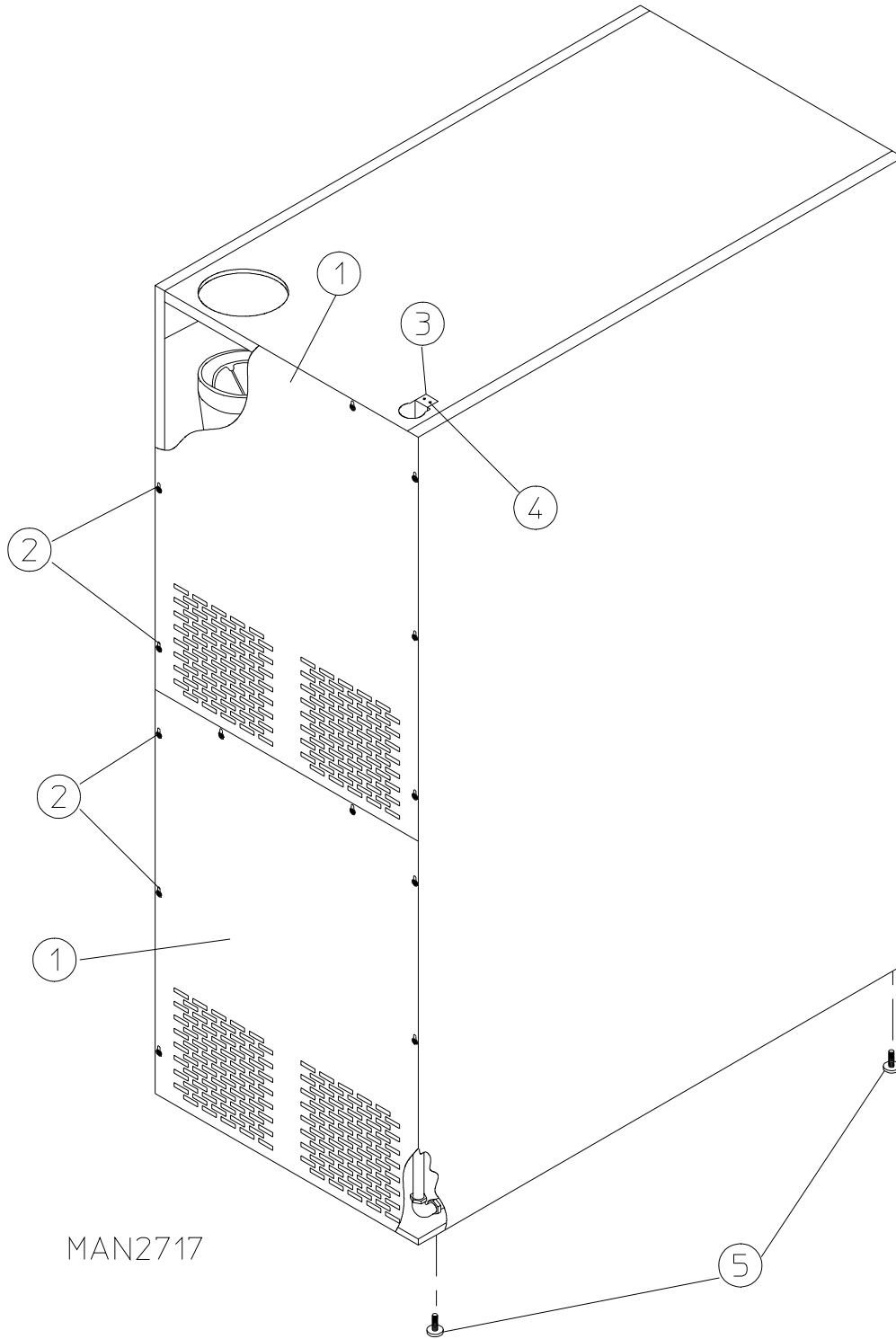
UPPER SAIL SWITCH



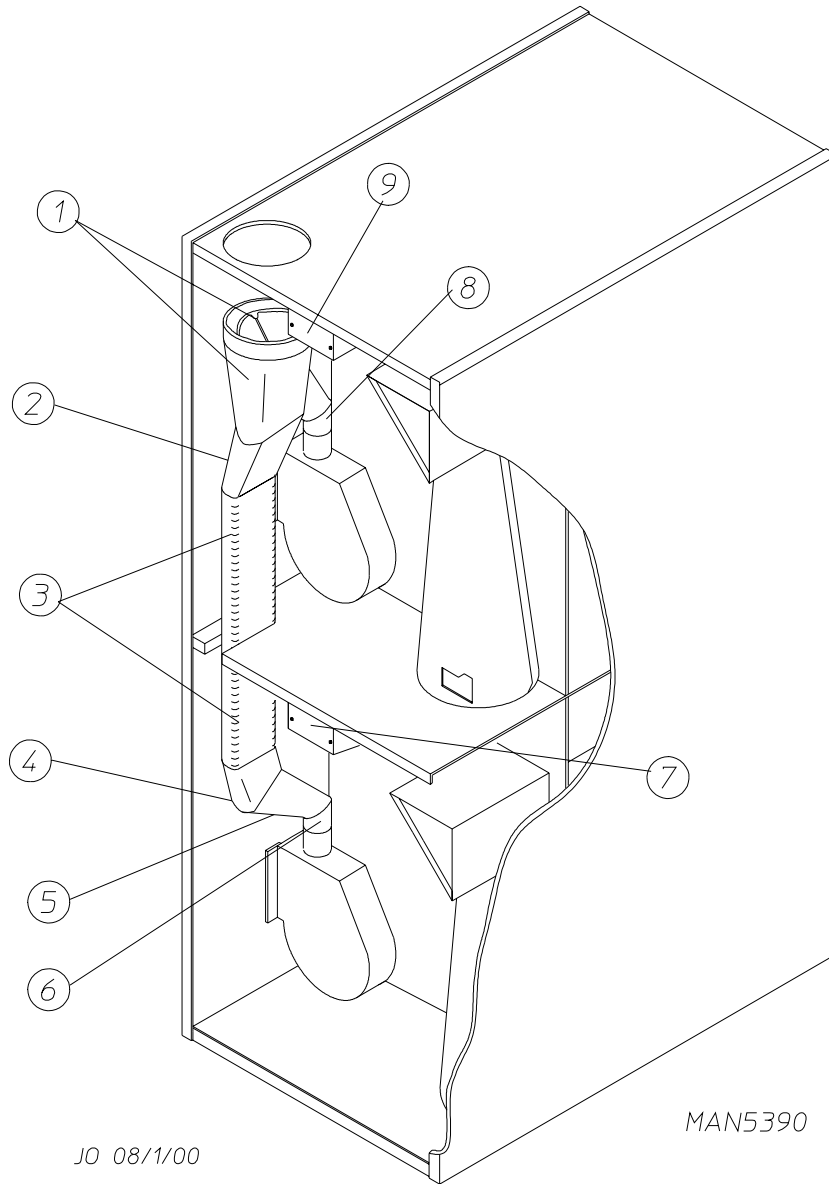
<u>Illus. No.</u>	<u>Part No.</u>	<u>Qty.</u>	<u>Description</u>
1	150301	2	#8-18 x 7/16" Phillips Pan Head TEK Screw
2	802800	1	Sail Switch Box with Cover and Bracket ONLY (includes illus. nos. 2, 4, and 5)
3	154004	1	Twin Speed Nut
4	150415	2	#10-16 x 1/2" Phillips Round Head Crimptite Screw
5	802799	1	Sail Switch Box Cover and Bracket ONLY
6	122200	1	Sail Switch ONLY
7	150303	2	#4 x 3/4" Pan Head "A" Machine Screw
8	105500	1	Sail Switch Actuator Rod
9	319206	1	Sail Switch Damper (embossed)
10	154002	1	1/8" Push On Fastener



<u>Illus. No.</u>	<u>Part No.</u>	<u>Qty.</u>	<u>Description</u>
1	150300	2	#10-16 x 1/2" Hex Washer TEK Screw
2	321002	1	Electrical Relay Panel Cover ONLY
3	137015	1	Arc Suppressor (A.S.) Capacitor ONLY
4	132430	1	208/230/240v 50/60 Hz Impellor Contactor Coil - 24 VAC
5	150100	4	#8-32 x 1/2" Round Head Machine Screw
6	150300	2	#10-16 x 1/2" Hex Washer TEK Screw
7	151001	4	#8-32 Pal Nut
8	311920	1	3-Phase (3 ϕ) Contactor Mounting Bracket ONLY
9	850909	1	Electrical Relay Panel Assembly (includes illus. nos. 1, 2, and 9)
10	150300	2	#10-16 x 1/2" Hex Washer TEK Screw



<u>Illus. No.</u>	<u>Part No.</u>	<u>Qty.</u>	<u>Description</u>
1	311014	2	Upper/Lower Back Guard Assembly
2	150301	16	#8-18 x 7/16" Phillips Pan Head TEK Screw
3	318702	1	Top Pipe Support Bracket ONLY
4	150300	2	#10-16 x 1/2" Hex Washer TEK Screw
5	103500	4	Adjustable Leveling Leg



<u>Illus. No.</u>	<u>Part No.</u>	<u>Qty.</u>	<u>Description</u>
1	880505	1	Wye Branch Damper Assembly
2	143527	1	6" Round x 7" Oval Straight Boot
3	143539	1	15-1/2" Long x 7" Oval Duct
4	143537	1	7" Oval x 45° Elbow
5	143538	1	6" Round x 7" Oval Straight Boot
6	143536	1	6" Round x 45° Elbow
7	315025	1	Rear Wiring Box Cover ONLY
	150300	2	#10-16 x 1/2" Hex Washer TEK Screw...Not Illustrated
8	143536	1	6" Round x 45° Elbow
9	315025	1	Rear Wiring Box Cover ONLY
	150300	2	#10-16 x 1/2" Hex Washer TEK Screw...Not Illustrated
	117505	*	Aluminum Duct Tape (sold by the foot)...Not Illustrated

* As required.

<u>Part No.</u>	<u>Description</u>
112039	“Black/White/Green Ground” Label
112280	“Clean Lint Screen” Label
112533	“Phase 5 Coin Program Location Summary” Label
114001	“Caution - Exhaust/Lint Screen” Label
114006	“Warning - Fire Hazards” Label
120100	3/8” Straight (BX) Connector
120300	3/8” x 45° (BX) Connector
120400	3/8” Red Jacket (BX) Insulator
120500	3/8” Jiffy Clip (BX Retainer Clip)
120600	3/8” Greenfield (BX)
120800	1/4” In-Line Connector
120802	Red Butt Connector
120902	#74B Wire Nut
120903	Crimp-On Wire Nut
121006	#10 Insulated Ring Terminal
121014	1/4” Insulated (female) Terminal
121499	5-1/2” Harness Tie
121500	8” Harness Tie
121503	Harness Tie Mounting Clip
122804	Manometer (water column test gauge)
170194	Basket (tumbler) Lint Cleaning Brush
404502	White Brush-In-Cap Bottle Touch-Up Paint
404506	Almond “B” Brush-In-Cap Bottle Touch-Up Paint
404507	Cornflower Blue Brush-In-Cap Bottle Touch-Up Paint

ADC450347

1 - 10/03/00-25
4 - 02/25/02-25

2 - 11/17/00-15
5* 08/16/02-25

3* 09/26/01-25
6* 04/25/03-20

