



AD-170HR

(HEAT RECLAIMER)

Parts Manual

American Dryer Corporation
88 Currant Road
Fall River, MA 02720-4781
Telephone: (508) 678-9000 / Fax: (508) 678-9447
E-mail: techsupport@amdry.com

Retain This Manual In A Safe Place For Future Reference

American Dryer Corporation products embody advanced concepts in engineering, design, and safety. If this product is properly maintained, it will provide many years of safe, efficient, and trouble-free operation.

ONLY qualified technicians should service this equipment.

OBSERVE ALL SAFETY PRECAUTIONS displayed on the equipment or specified in the installation/operator's manual included with the dryer.

The following “**FOR YOUR SAFETY**” caution **must be** posted near the dryer in a prominent location.

FOR YOUR SAFETY

Do not store or use gasoline or other flammable vapors or liquids in the vicinity of this or any other appliance.

POUR VOTRE SÉCURITÉ

Ne pas entreposer ni utiliser d'essence ni d'autres vapeurs ou liquides inflammables dans le voisinage de cet appareil ou de tout autre appareil.

We have tried to make this manual as complete as possible and hope you will find it useful. **ADC** reserves the right to make changes from time to time, without notice or obligation, in prices, specifications, colors, and material, and to change or discontinue models.

Important

For your convenience, log the following information:

DATE OF PURCHASE _____ MODEL NO. **AD-170 Heat Reclaimer**

DISTRIBUTORS NAME _____

Serial Number(s) _____

Replacement parts can be obtained from your distributor or the **ADC** factory. When ordering replacement parts from the factory, you can FAX your order to **ADC** at (508) 678-9447 or telephone your orders directly to the **ADC** Parts Department at (508) 678-9000. Please specify the dryer **model number** and **serial number** in addition to the **description** and **part number**, so that your order is processed accurately and promptly.

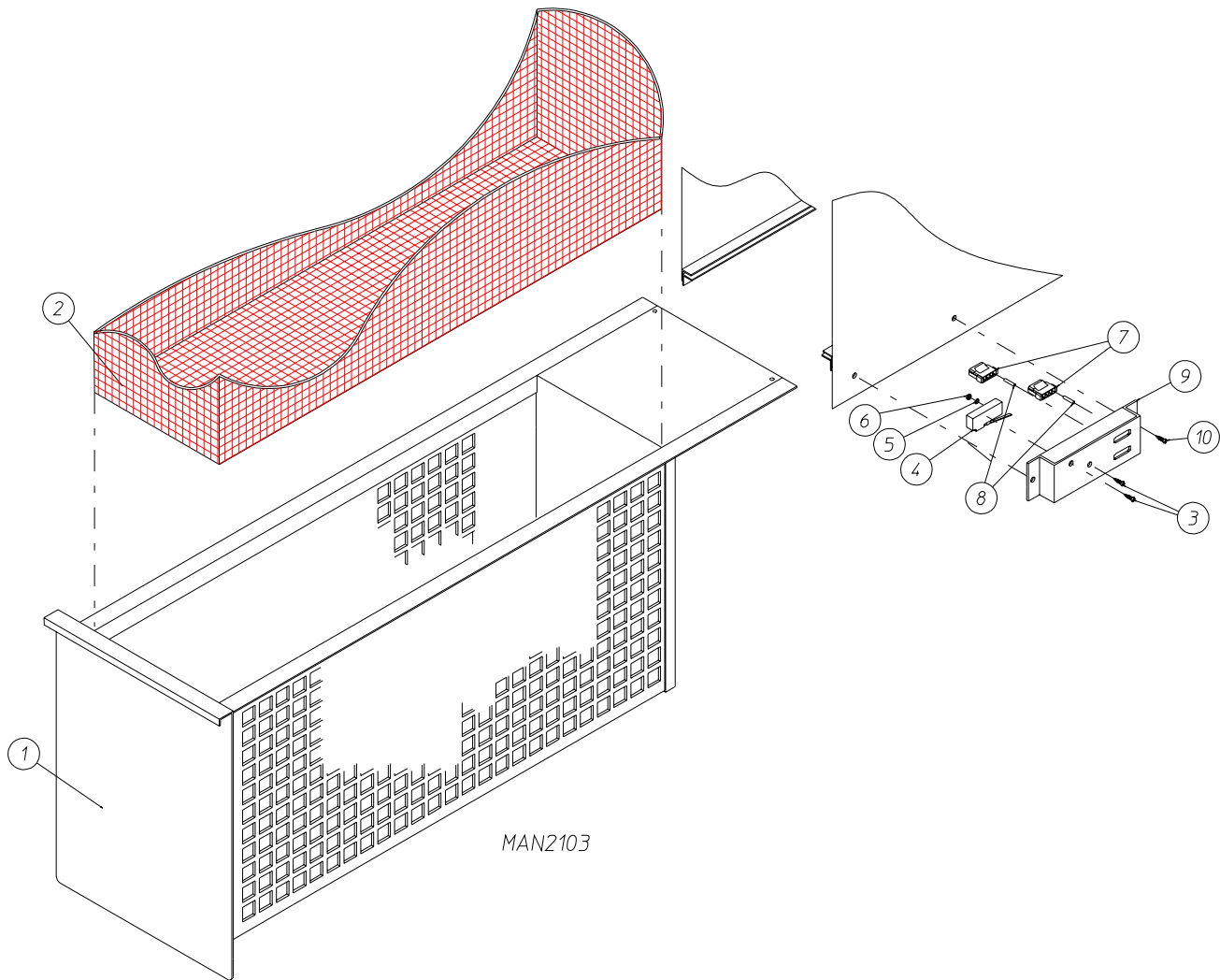
The illustrations on the following pages may not depict your particular dryer exactly. The illustrations are a composite of the various dryer models. Be sure to check the descriptions of the parts thoroughly before ordering.

“IMPORTANT NOTE TO PURCHASER”

Information must be obtained from your local gas supplier on the instructions to be followed if the user smells gas. These instructions must be posted in a prominent location near the dryer.

Table of Contents

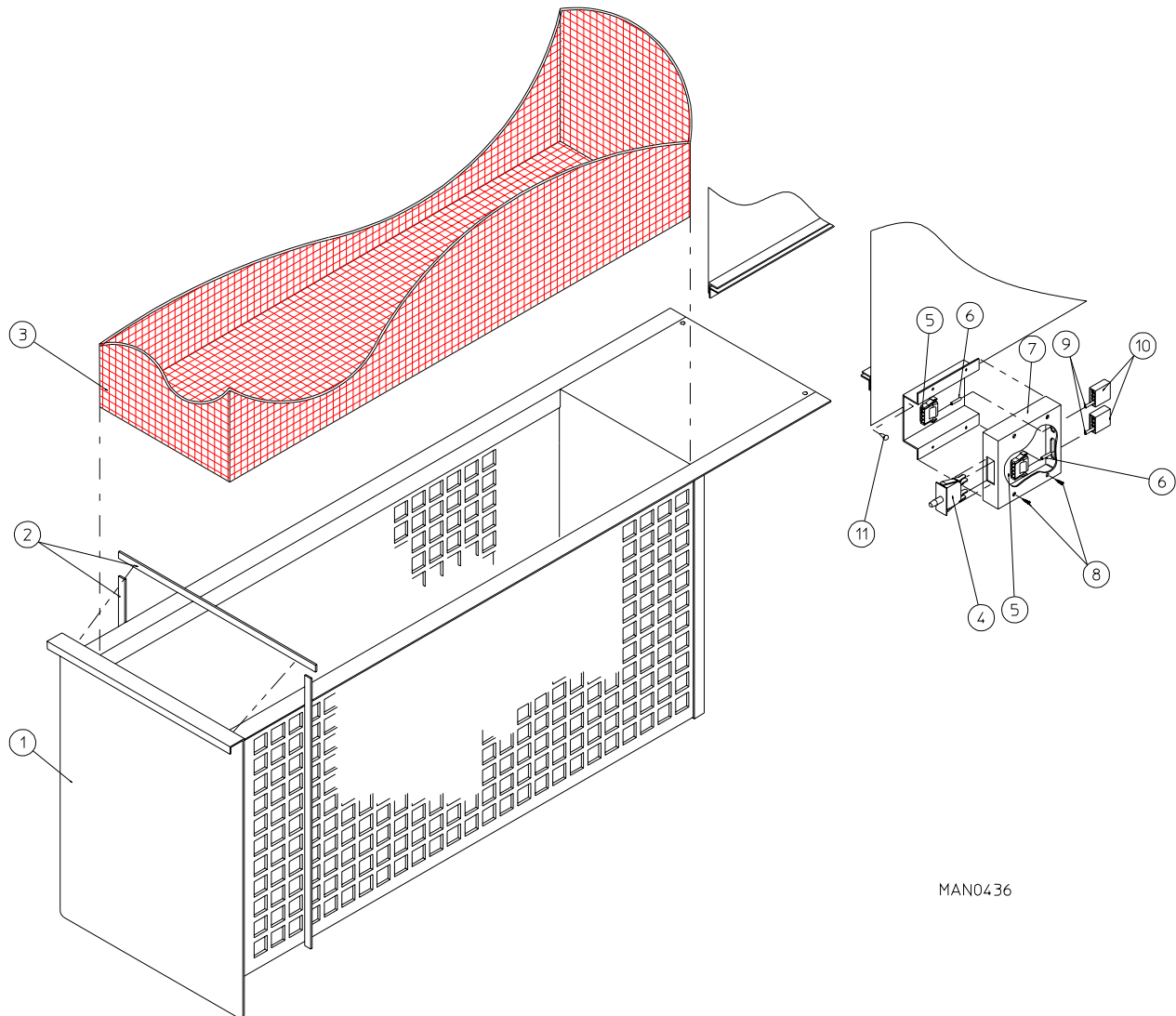
Lint Drawer/Lint Drawer Switch Box Assemblies for models mfd. as of December 1, 1994	2
Lint Drawer/Lint Drawer Switch Box Assemblies for models mfd. prior to December 1, 1994	3
ADG-170 Heat Reclaimer Burner Assembly for Gas Models ONLY	4, 5
ADS-170 Heat Reclaimer Steam Damper Assembly for Steam Models ONLY	6, 7
Top Console Assembly	8, 9
ADS-170 Pneumatic Valve Assembly for Steam Models ONLY	10, 11
Back Guard Assemblies	12
ADG-170 Heat Reclaimer Assembly for Gas Models ONLY	13
ADS-170 Pneumatic Valve/Heat Reclaimer Assembly for Steam Models ONLY	14, 15
Heat Reclaimer Exhaust Damper Assembly	16, 17



Illus. No.	Part No.	Qty.	Description
1*	821046	1	Lint Drawer Assembly
2	823002	1	Lint Screen Assembly ONLY
3	150002	2	#6-32 x 1" Phillips Round Head Machine Screw
4	136992	1	Lint Drawer Switch ONLY
5	153010	2	#6 Star Washer
6	152000	2	#6-32 Hex Nut
7	122605	2	4-Pin Socket Connector ONLY
8	122701	4	Socket Terminal ONLY
	122801	1	Pin/Socket Extraction Tool
9	821119	1	Lint Drawer Switch Assembly Complete (includes illus. nos. 3 through 10)
	821116	1	Lint Drawer Switch Mounting Bracket Assembly ONLY (includes illus. nos. 3 and 4)
	332348	1	Lint Drawer Switch Mounting Bracket ONLY
10	150309	2	#10-16 x 1/2" Hex Head TEK Crimptite Screw

* Specify color when ordering.

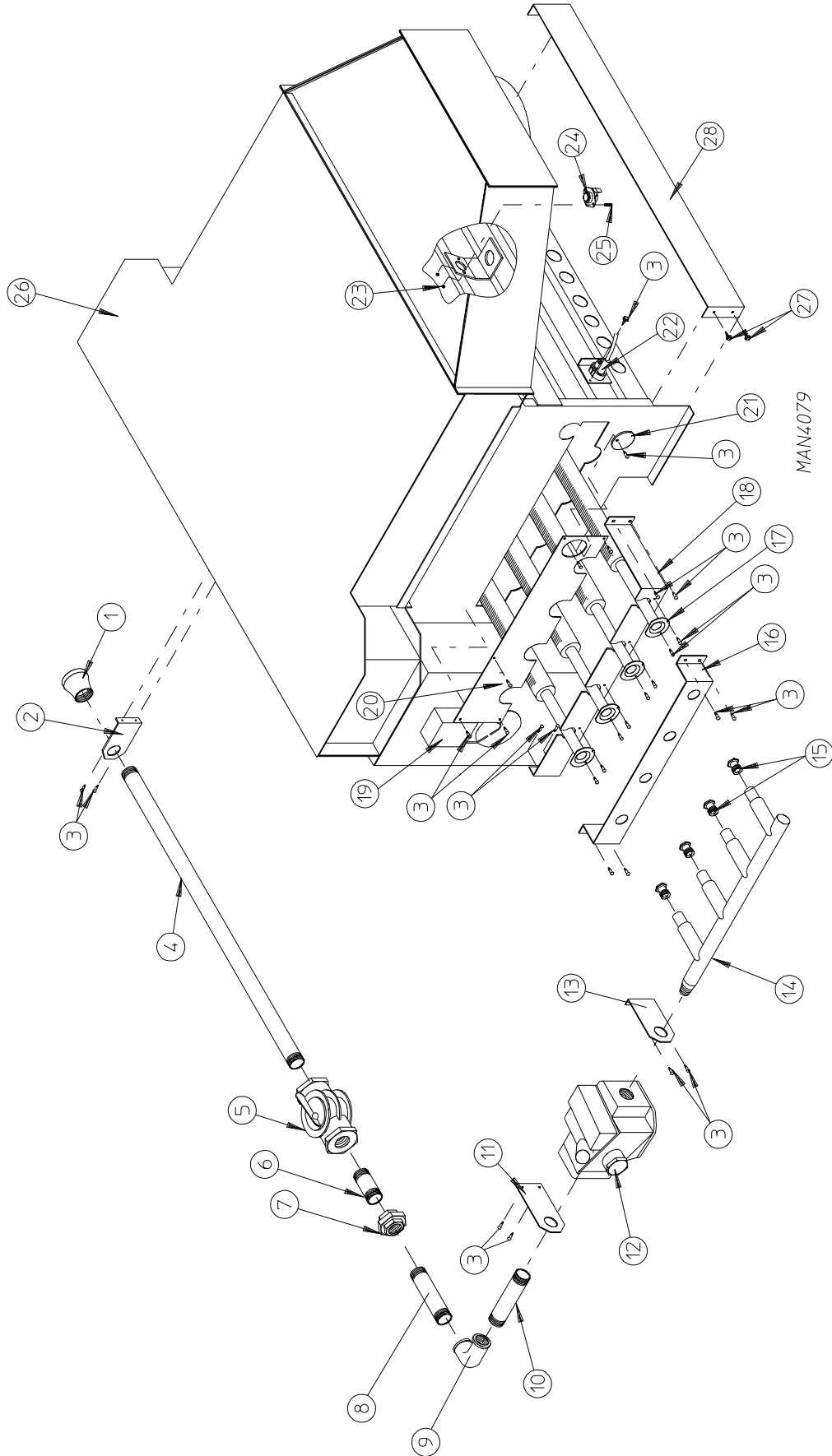
for models mfd. prior to December 1, 1994



MAN0436

Illus. No.	Part No.	Qty.	Description
1*	820955	1	Lint Drawer Assembly Complete (includes illus. nos. 1 and 2)
2	117605	7	Neoprene Sponge Tape (sold by the foot)
3	823002	1	Lint Screen Assembly ONLY
4	122116	1	Lint Drawer Switch ONLY
5	122605	2	4-Pin Socket Connector
6	122701	8	Socket Terminal ONLY
	122801	1	Pin/Socket Extraction Tool
7	800264	1	Lint Drawer Switch Box Assembly Complete (includes illus. nos. 4 through 7)
	304034	1	Lint Drawer Switch Box ONLY
8	150301	4	#8-18 x 7/16" Phillips Pan Head TEK Screw
9	122700	8	Pin Terminal ONLY
10	122604	2	4-Pin Connector
11	150301	2	#8-18 x 7/16" Phillips Pan Head TEK Screw

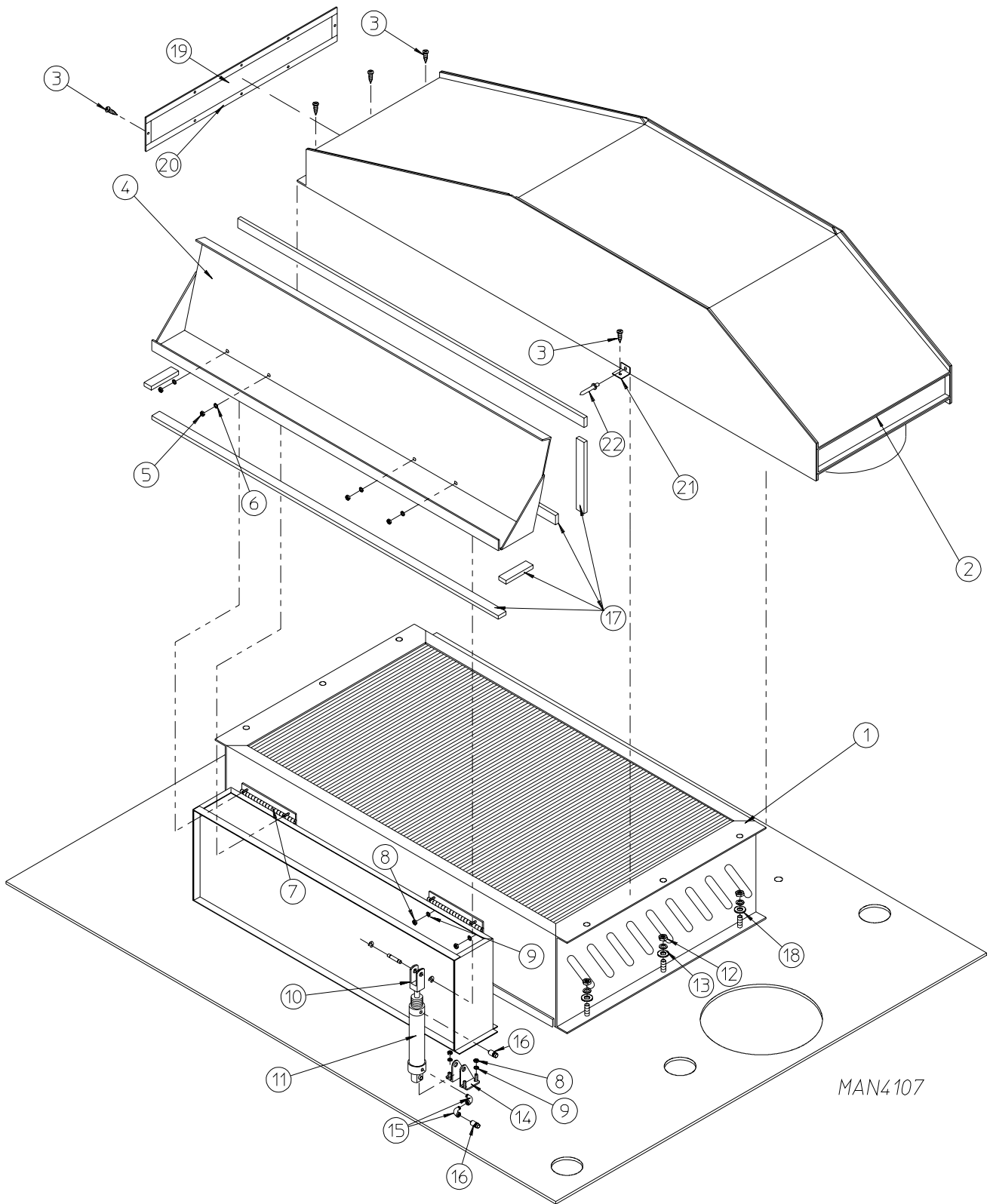
* Specify color when ordering.



for Gas Models ONLY

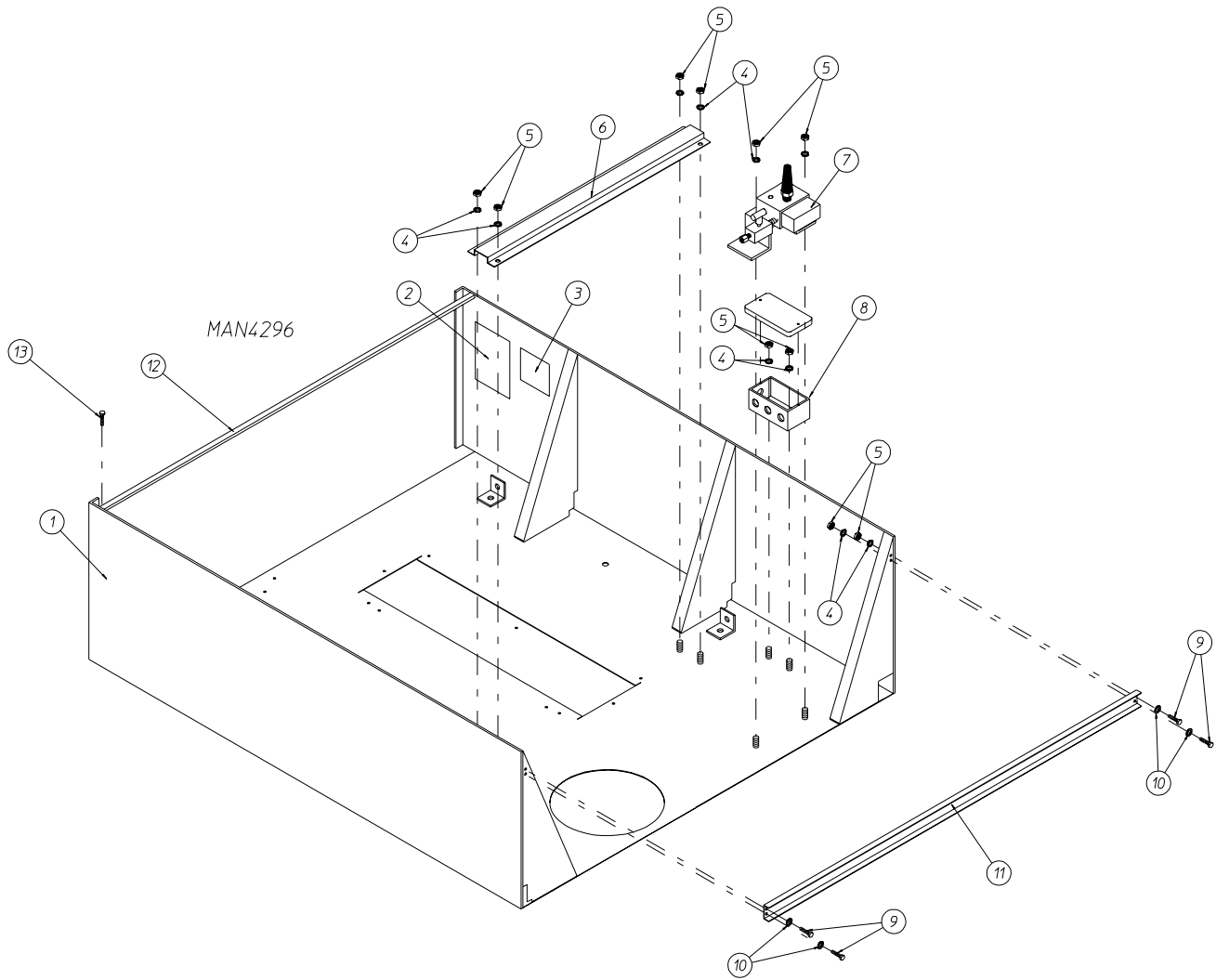
Illus. No.	Part No.	Qty.	Description
1	142929	1	1-1/2" to 1" Reducing Coupling
2	332117	1	Pipe Bracket
3	150309	32	#10-16 x 1/2" Hex Head TEK Crimptite Screw
4	142817	1	1" x 28-1/2" Pipe
5	141302	1	1" Union Shut-off
6	142724	1	1" x 2" Nipple
7	142602	1	1" Union
8	142581	1	1" x 5" Nipple
9	142548	1	1" x 90° Elbow
10	142581	1	1" x 5" Nipple
11	332487	1	Gas Valve Pipe Bracket
12	140017	1	1" 24 VAC Redundant (Natural Gas) Gas Valve ONLY
	140018	1	1" 24 VAC L.P. (Liquid Propane) Conversion Kit
13	332486	1	Gas Valve Pipe Bracket
14	141240	1	4-Port Manifold ONLY
15*	140820	4	#29 Burner Orifice (L.P. [Liquid Propane]) ONLY
16	332114	1	Manifold Support ONLY
17	141110	4	Burner Tube ONLY
18	332121	1	Burner Tube Support ONLY
19	802801	1	Sail Switch Assembly
	122200	1	Sail Switch ONLY ... Not Illustrated
20	332113	1	Burner Box Cover Plate ONLY
21	331290	1	Ignitor/Flame-Probe Sight Hole Disc ONLY
22	880325	1	Ignitor/Flame-Probe Assembly Kit (includes high voltage [HV] wire and connector)
	305412	1	Ignitor Gap Feeler Gauge ... Not Illustrated
23	151000	2	#6-32 Pal Nut
24	130201	1	330° Manual Reset Hi-Limit ONLY
25	151001	2	#6-32 x 1/2" Round Head Machine Screw
26	821153	1	L.P. (Liquid Propane) Burner Assembly Complete Less Orifices (includes illus. nos. 1 through 28)
	821141	1	Burner Box ONLY
27	150309	4	#10-16 x 1/2" Hex Head TEK Crimptite Screw
28	332256	1	L.P. Burner Baffle ONLY

* Consult factory for elevations over 2,000 feet.



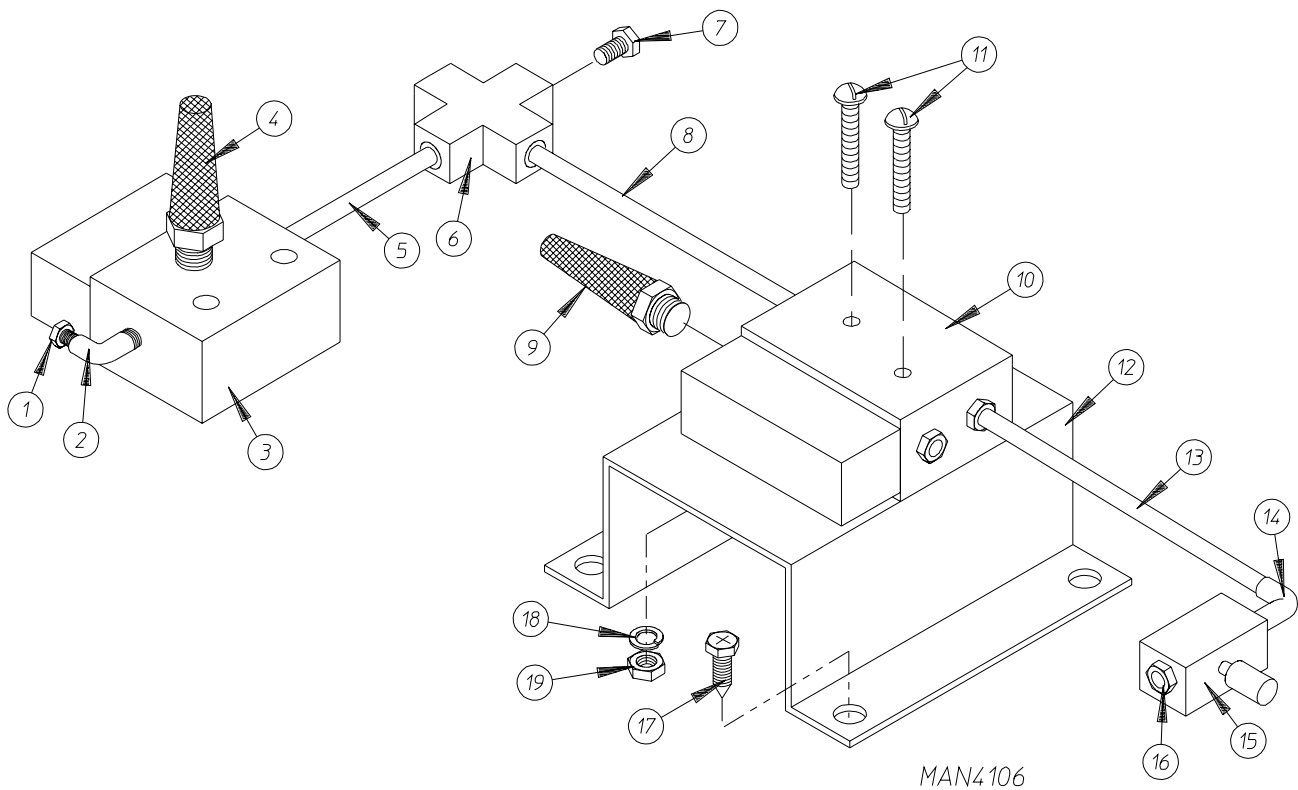
for Steam Models ONLY

Illus. No.	Part No.	Qty.	Description
1	165015	1	ADS-170 Heat Reclaimer Steam Coil
2	821126	1	Heat Reclaimer Bonnet
3	150309	12	#10-16 x 1/2" Hex Head TEK Crimptite Screw
4	820031	1	Cool Down Damper
5	152002	4	1/4-20 Hex Nut
6	153007	4	1/4" Lock Washer
7	820321	2	Steam Damper Hinge Assembly
8	152002	8	1/4-20 Hex Nut
9	153007	8	1/4" Lock Washer
10	100483	1	Cylinder Clevis
11	100524	1	1-1/2" Bore x 3" Stroke Double Acting Cylinder
12	152004	6	5/16-18 Hex Nut
13	153002	6	5/16" Lock Washer
14	100500	1	Piston Support Bracket
15	143268	2	1/8" Street Elbow
16	100472	1	1/4" Poly x 1/8" M.P.T. Connector
17	115995	10	Steam Damper Felt (sold by the foot)
18	153001	6	5/16" Flat Washer
19	332269	1	Bonnet Front Cover
20	102309	4	Gasket Strip-N-Stick (sold by the foot)
21	314416	1	Bonnet Clip
22	154200	2	5/32" Pop Rivet



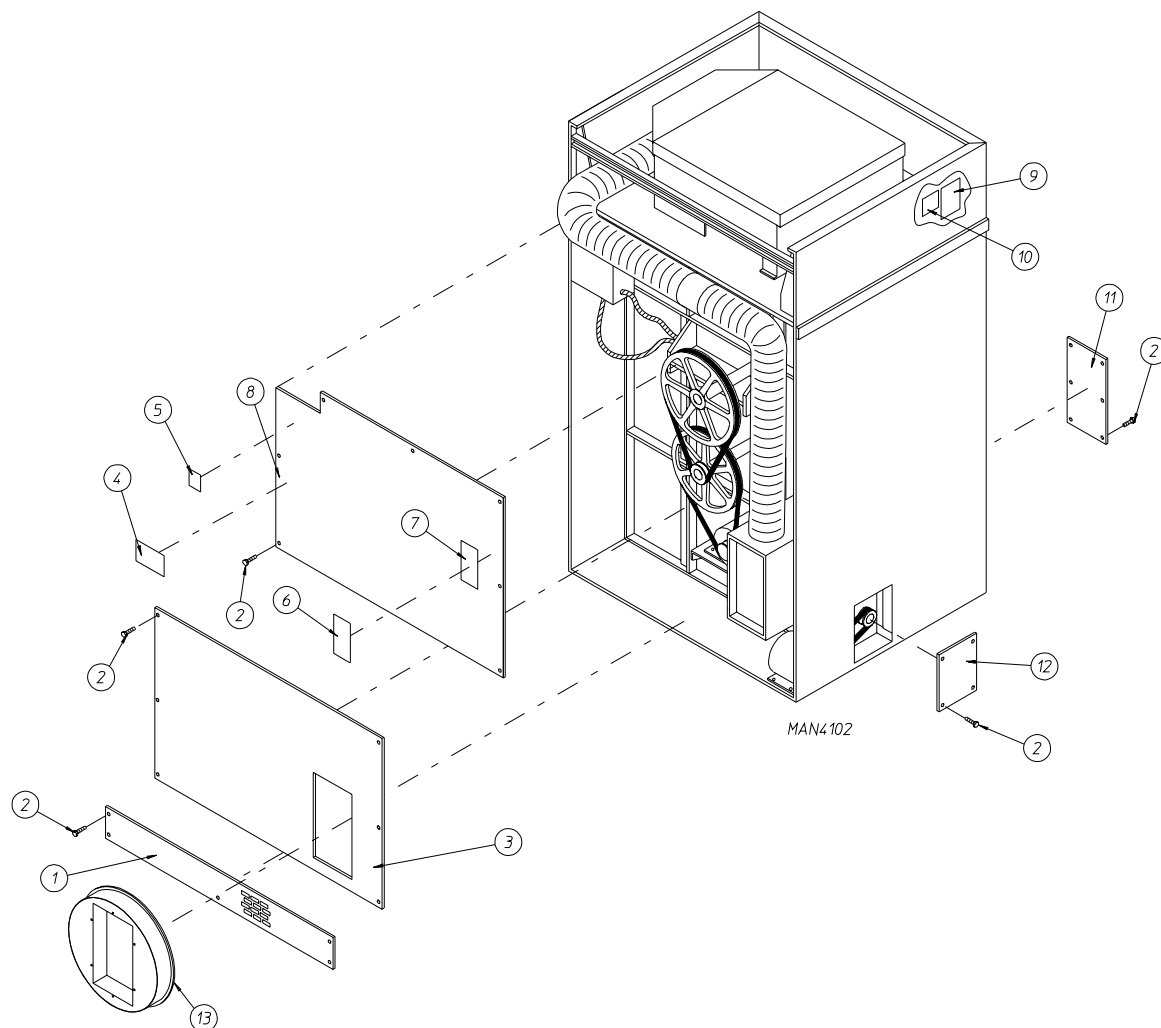
Illus. No.	Part No.	Qty.	Description
1*	821144	1	ADG-170 Top Console Assembly ONLY (for Gas Models Only)
	821125	1	ADS-170 Top Console Assembly ONLY (for Steam Models Only)
2	112534	1	Phase 5 OPL Program Location Summary Label (for Microprocessor Models Only)
3	-----	1	Dryer Data Label (not for resale by ADC)
4	153007	12	1/4" Lock Washer
5	152005	12	1/4-20 Hex Nut
6	332323	1	32" Wire Channel
7	821105	1	ADG-170 Pneumatic Valve Assembly ONLY (for Gas Models Only)
	820087	1	Pneumatic Valve Assembly ONLY (for Steam Models Only) Refer to ADS-170 Pneumatic Valve Assembly on page 10 and page 11
8	121104	1	2" x 4" Junction Box ONLY
	121105	1	Junction Box Cover ONLY
9	150615	4	1/4-20 x 3/4" Bolt
10	153018	4	1/4" Flat Washer
11*	332132	1	ADG-170 Console Gusset Brace (for Gas Models Only)
	332186	1	ADS-170 Control Door Hinge Channel (for Steam Models Only)
12	332186	1	Control Door Hinge Channel
13	150300	2	#10 x 1/2" Hex Washer TEK Screw

* Specify color when ordering.



for Steam Models ONLY

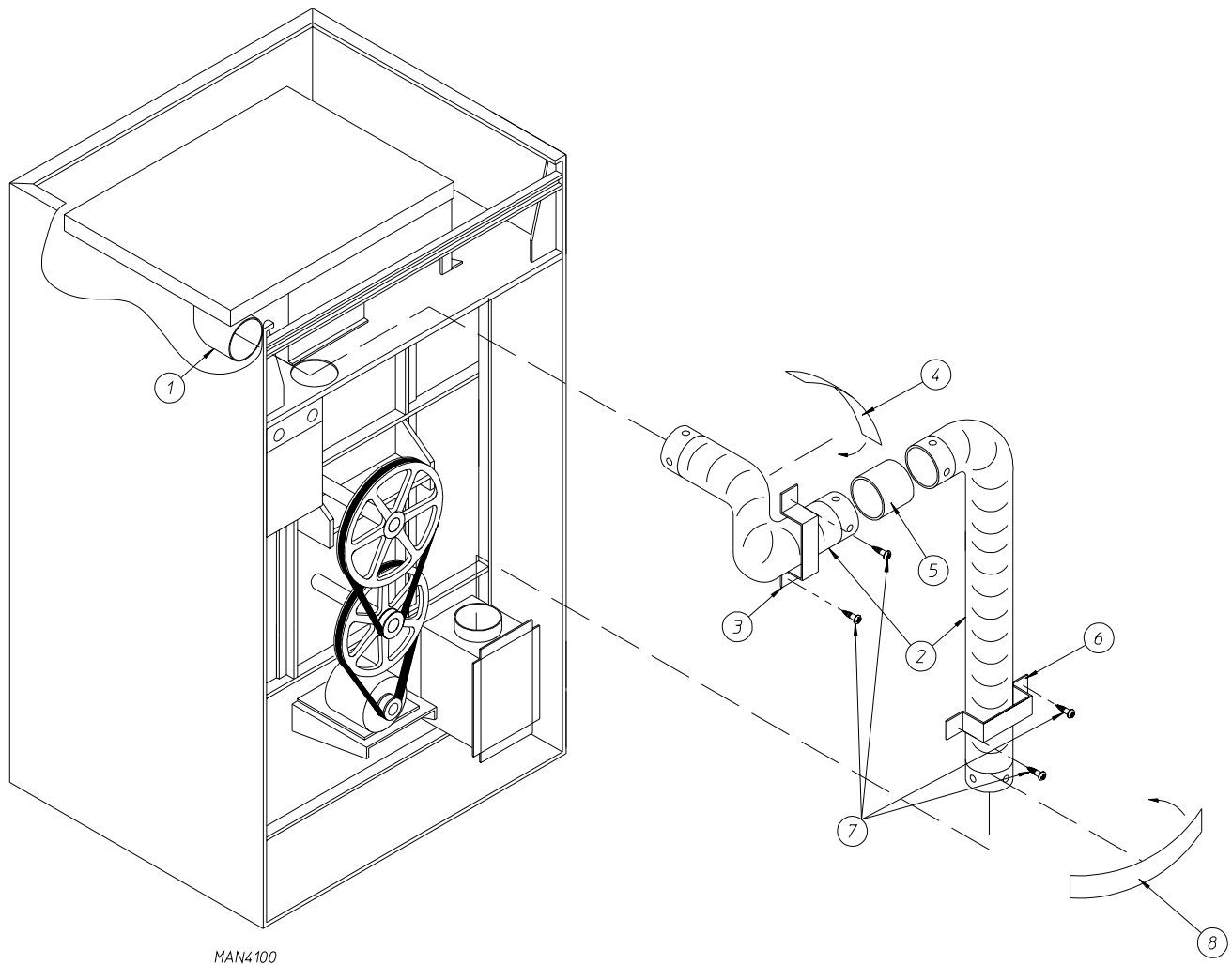
Illus. No.	Part No.	Qty.	Description
1	100472	1	1/4" Poly x 1/8" M.P.T. Connector
2	143268	1	1/8" Street Elbow
3	100498	1	3-Way Micro Valve - 24 VAC
4	100520	1	1/8" N.P.T. Silencer (muffler) ONLY
5	143238	1	1/8" Close Nipple
6	143237	1	1/8" Cross Connector
7	143250	1	1/8" M.P.T. Brass Plug
8	143239	2	1/8" x 2-1/2" Brass Nipple
9	100520	1	1/8" N.P.T. Silencer (muffler) ONLY
10	100468	1	4-Way MAC Valve - 24 VAC
11	150002	2	#6-32 x 1" Slotted Machine Screw
12	331202	1	Valve Mounting Bracket
13	143239	2	1/8" x 2-1/2" Brass Nipple
14	143268	1	1/8" Street Elbow
15	100496	1	1/8" Needle Valve
16	100472	1	1/4" Poly x 1/8" M.P.T. Connector
17	150309	4	#10-16 x 1/2" Hex Head TEK Crimptite Screw
18	150310	2	#6 Star Washer
19	152000	2	#6-32 Hex Nut



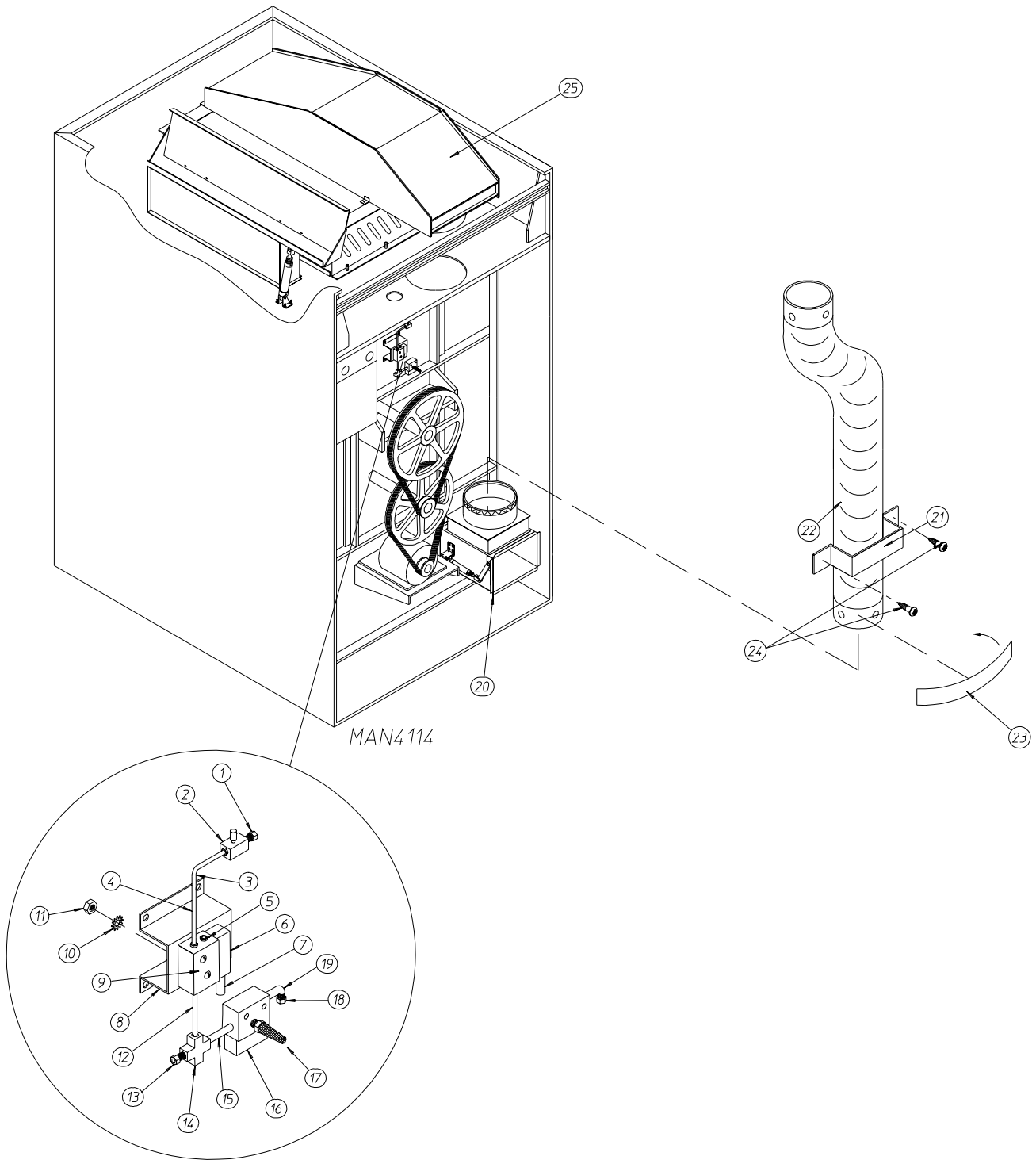
Illus. No.	Part No.	Qty.	Description
1	332328	1	Bottom Back Guard ONLY
2	150301	28	#8-18 x 7/16" Phillips Pan Head TEK Screw
3	821151	1	ADG-170 Middle Back Guard ONLY (for Gas Models Only)
	821129	1	ADS-170 Middle Back Guard ONLY (for Steam Models Only)
4	112014	1	High Voltage Label ONLY
5	112017	1	ADC Name, Address, Telephone Number Label ONLY
6	112230	1	ADG/ADS-170 Installation Instructions Label ONLY
7	112519	1	Routine Maintenance Schedule Label ONLY
8	821095	1	Top Back Guard ONLY
9	112534	1	Phase 5 OPL Program Location Summary Label (for Microprocessor Models ONLY)
10	-----	1	Dryer Data Label (not for resale by ADC)
11*	332295	1	Blower Housing Front Access Panel
12*	332309	1	Side Access Panel
13	821147	1	Square Duct to Round Duct Transition Piece Assembly

* Specify color when ordering.

for Gas Models ONLY

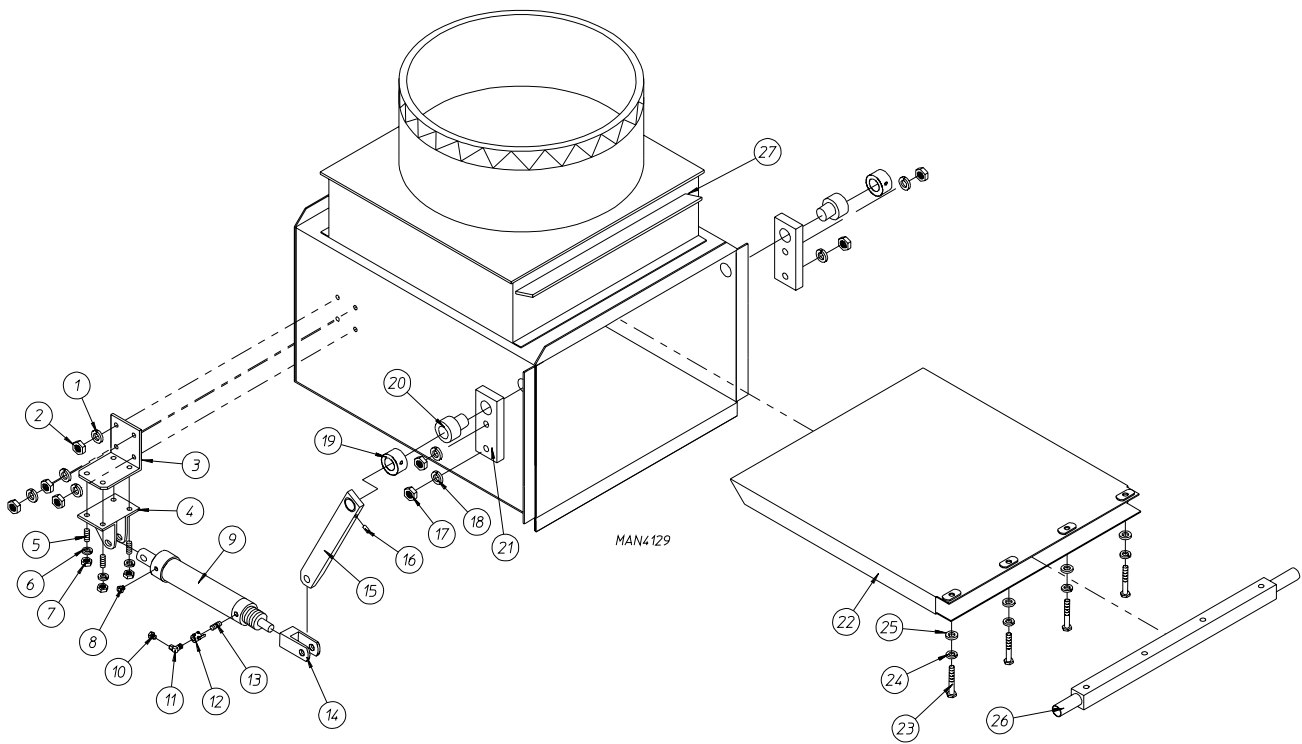


Illus. No.	Part No.	Qty.	Description
1	143549	1	10" Dia. x 90° Elbow
2	143548	2	10" Dia. x 8 Ft. Flex Duct
3	332414	1	Flex Duct Retainer
4	117505	1	Aluminum Heat Reclaimer Tape (sold by the foot)
5	-----	1	10" Dia. x 6" Collar (not available from ADC)
6	332414	1	Flex Duct Retainer
7	150309	2	#10-16 x 1/2" Hex Head TEK Crimptite Screw
8	117505	1	Aluminum Heat Reclaimer Tape (sold by the foot)



for Steam Models ONLY

Illus. No.	Part No.	Qty.	Description
1	100472	1	1/4" Poly x 1/8" M.P.T. Connector
2	100496	1	1/8" Needle Valve
3	143268	1	1/8" Street Elbow
4	143239	1	1/8" x 2-1/2" Brass Nipple
5	100472	1	1/4" Poly x 1/8" M.P.T. Connector
6	100468	1	4-Way MAC Valve - 24 VAC
7	100520	1	1/8" N.P.T. Silencer (muffler) ONLY
8	331202	1	Valve Mounting Bracket
9	150002	2	#6-32 x 1" Slotted Machine Screw
10	153010	2	#6 Star Washer
11	152000	2	#6-32 Hex Nut
12	143239	1	1/8" x 2-1/2" Brass Nipple
13	143250	1	1/8" M.P.T. Brass Plug
14	143237	1	1/8" Cross Connector
15	143238	1	1/8" Close Nipple
16	100498	1	3-Way Micro Valve - 24 VAC
17	100520	1	1/8" N.P.T. Silencer (muffler) ONLY
18	100472	1	1/4" Poly x 1/8" M.P.T. Connector
19	143268	1	1/8" Street Elbow
20	-----	1	Heat Reclaimer Exhaust Damper (refer to Heat Reclaimer Exhaust Damper Assembly on page 16 and page 17)
21	332414	1	Flex Duct Retainer
22	143546	1	12" Dia. Flex Duct
23	117505	1	Aluminum Heat Reclaimer Tape (sold by the foot)
24	150309	2	#10-16 x 1/2" Hex Head TEK Crimptite Screw
25	-----	1	Heat Reclaimer Steam Damper Assembly (refer to ADS-170 Heat Reclaimer Steam Damper Assembly on page 6 and page 7)



Illus. No.	Part No.	Qty.	Description
1	153002	8	5/16" Lock Washer
2	152004	8	5/16-18 Hex Nut
3	332276	1	Heat Reclaimer Piston Bracket
4	100500	1	Piston Support Bracket
5	153525	4	1/4-20 x 1" Clinch Stud
6	153007	4	1/4" Lock Washer
7	152002	4	1/4-20 Hex Nut
8	100472	1	1/4" Poly x 1/8" M.P.T. Connector
9	100524	1	1-1/2" Bore x 3" Stroke Piston
10	100472	1	1/4" Poly x 1/8" M.P.T. Connector
11	143268	1	1/8" Street Elbow
12	100496	3	1/8" Needle Valve
13	143238	3	1/8" Close Nipple
14	100483	3	Rod Clevis with Pin
15	332277	1	Exhaust Damper Arm
16	154329	1	Spring Pin
17	152004	2	5/16-18 Hex Nut
18	153002	2	5/16" Lock Washer
19	101173	2	5/8" Bore Steel Shaft Collar
20	100229	2	7/16" Bronze Bushing
21	331174	2	Shaft Support Block
22	821068	1	Exhaust Damper Assembly
23	150527	4	1/4-20 x 1-1/4" Hex Head Machine Bolt
24	153007	4	1/4" Lock Washer
25	153018	4	1/4" Flat Washer
26	332271	1	Heat Reclaimer Shaft
27	820101	1	Exhaust Screen Assembly

