

# Girbau, SA

## SLI-14D Parts Manual Phase 8

---

---

**Girbau, SA**  
Carretera Manlleu, KM1  
Vic, Barcelona, España 54380  
Teléfono: 3493 886 1100 / Facsímil: 34 93 886 0785

**e-mail: [girbau@girbau.es](mailto:girbau@girbau.es)**

# Retain This Manual In A Safe Place For Future Reference

This product embodies advanced concepts in engineering, design, and safety. If this product is properly maintained, it will provide many years of safe, efficient, and trouble free operation.

***ONLY properly licensed technicians should service this equipment.***

**OBSERVE ALL SAFETY PRECAUTIONS** displayed on the equipment or specified in the installation manual included with the dryer.

## FOR YOUR SAFETY

Do not store or use gasoline or other flammable vapors and liquids in the vicinity of this or any other appliance.

## POUR VOTRE SÉCURITÉ

Ne pas entreposer ni utiliser d'essence ni d'autres vapeurs ou liquides inflammables à proximité de cet appareil ou de tout autre appareil.

We have tried to make this manual as complete as possible and hope you will find it useful. The manufacturer reserves the right to make changes from time to time, without notice or obligation, in prices, specifications, colors, and material, and to change or discontinue models.

## Important

For your convenience, log the following information:

DATE OF PURCHASE \_\_\_\_\_ MODEL NO. **SLI-14D**

DISTRIBUTOR'S NAME \_\_\_\_\_

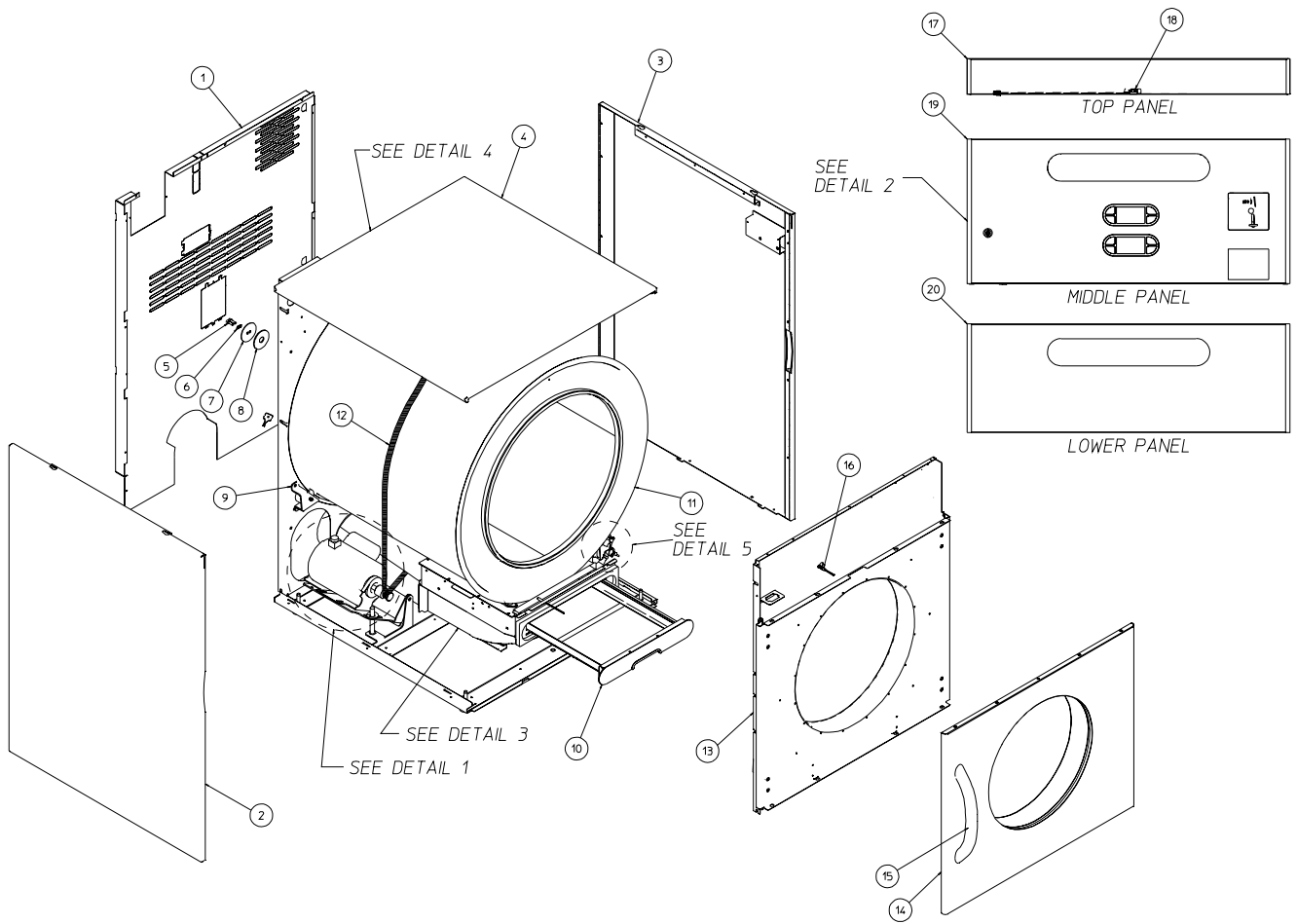
Serial Number(s) \_\_\_\_\_

\_\_\_\_\_

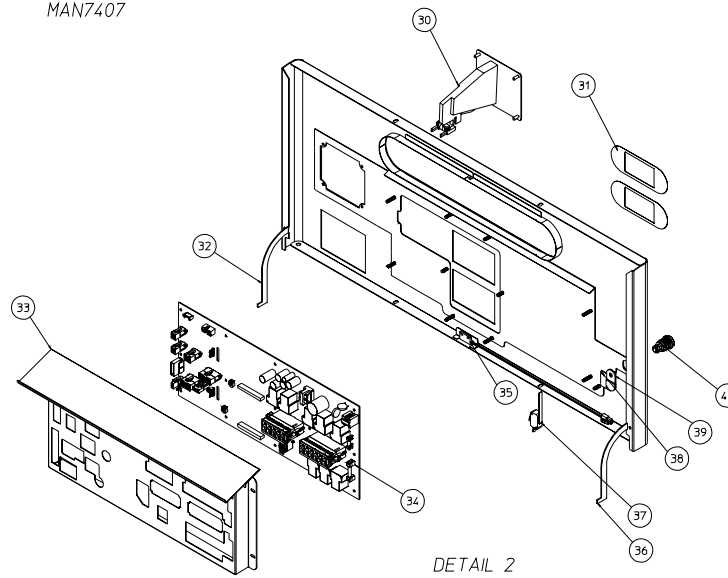
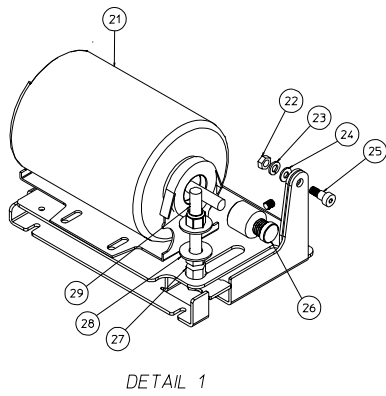
\_\_\_\_\_



# Parts Diagram

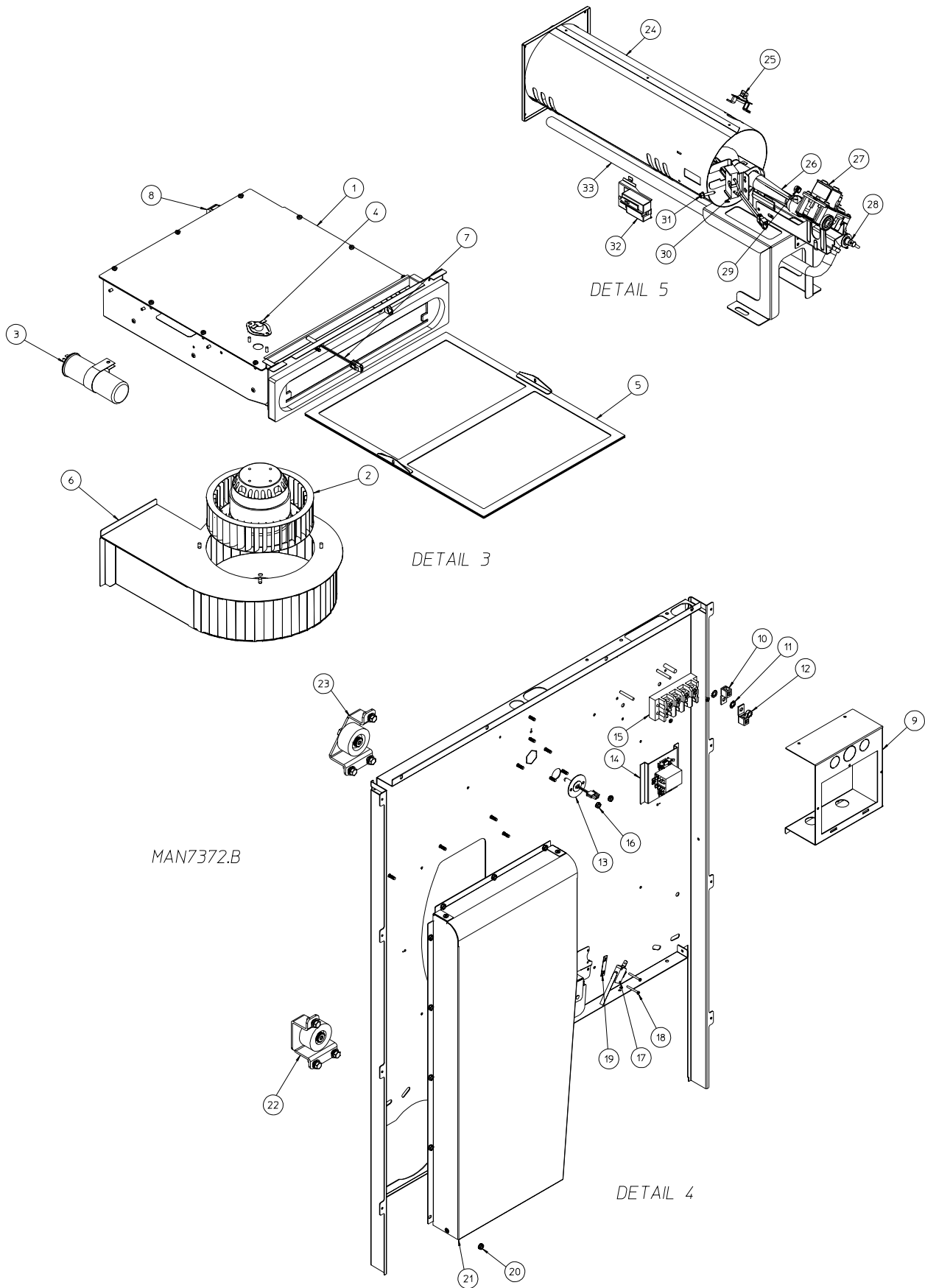


MAN7407



# Parts List

<u>Illus. No.</u>	<u>Part No.</u>	<u>Qty.</u>	<u>Description</u>	<u>Illus. No.</u>	<u>Part No.</u>	<u>Qty.</u>	<u>Description</u>
1	818925	1	Back Guard Assy (Gas and Electric) (as of December 7, 2005)	18	819196	1	Door Switch Assy
	818683	1	Back Guard Assy (Gas and Electric) (prior to December 7, 2005)	19	819504	1	Phase 8 Control Door Assy (25¢ Coin)
	819622	1	Back Guard Assy (Steam)		819625	1	Phase 8 Control Door Assy (Programmable Euro)
2	819619	1	Left Side Panel Assy (as of December 7, 2005)		819608	1	Phase 8 Control Door Assy (OPL)
	818679	1	Left Side Panel Assy (prior to December 7, 2005)		154061	8	U Nut Retainer
3	819621	1	Right Side Panel Assy (as of December 7, 2005)	20	183129	8	T-20 Truss Head Machine Screw
	818678	1	Right Side Panel Assy (prior to December 7, 2005)		185097	1	Toe Panel (White)
4	818690	1	Outer Top Panel Assy		185048	1	Toe Panel (Stainless Steel)
5	150445	2	1/4-20 x 3/4" Bolt	21	884288	1	1/4 hp Motor with Sheave - 60 Hz (as of September 1, 2005)
6	153072	2	Spring Washer		887030	1	1/4 hp Motor with Sheave - 50 Hz (as of September 1, 2005)
7	318891	1	Backup Washer		818485	1	Motor Assy (prior to September 1, 2005)
8	153048	1	Inner Friction Pad (Gas and Electric)	22	152004	2	5/16-18 Hex Nut
	102373	1	Inner Friction Pad (Steam)	23	153002	2	5/16" Split Lock Washer
9	818110	1	Front Right/Rear Left Wheel	24	153018	2	1/4" Flat Washer
	818109	1	Front Left/Rear Right Wheel	25	154266	2	3/8" x 3/8" (5/16-18) Screw
10	819288	1	Lint Screen Assy (Painted)	26	318909	1	60 Hz Motor Sheave
	819315	1	Lint Screen Assy (Stainless Steel)		185067	1	50 Hz Motor Sheave
11	818815	1	Tumbler Assy (Galvanized)	27	152011	1	1/2-13 Hex Nut
	819398	1	Tumbler Assy (Stainless Steel)		152028	1	1/2-13 Nylon Insert Locknut
12	102407	1	Belt	28	153011	1	9/16" ID, 1-3/8" OD Flat Washer
13	819132	1	Front Panel Assy Right Hinge (Coin)	29	150609	1	1/2-13 x 4-1/2" Tap Bolt
	819359	1	Front Panel Assy Right Hinge (Non-Coin)	30	818213	1	Coin Acceptor Assy (25¢ Coin)
	102004	2	Magnet		819264	1	Coin Acceptor Assy (Programmable Euro)
	102005	2	Magnet Blank	31	112587	2	Keypad (Coin)
	152224	4	Magnet Screw		112586	2	Keypad (OPL)
	400563	1	Magnet Removal Bit	32	318930	1	Control Panel Right Hinge
	131819	1	Reversing Contactor	33	319337	1	Phase 8 Control Cover
14	819301	1	Door Assy Hinge Right (White)	34	137280	1	Phase 8 Computer
	819388	1	Door Assy Hinge Right (Stainless Steel)	35	819196	1	Door Switch Assy
	819700	1	Door Assy Hinge Left (White)	36	318929	1	Control Panel Left Hinge
	819387	1	Door Assy Hinge Left (Stainless Steel)	37	122200	1	Program Switch
	102396	1	Door Gasket	38	154004	1	Twin Speed Nut
	103067	2	Door Hinge	39	160066	1	1-1/8" Long Cam
15	170233	1	Handle	40	160069	1	Lock
16	819194	1	Rotation Sensor Assy				
17	819190	1	Top Trim Panel Assy (White)				
	819192	1	Top Trim Panel Assy (Stainless Steel)				

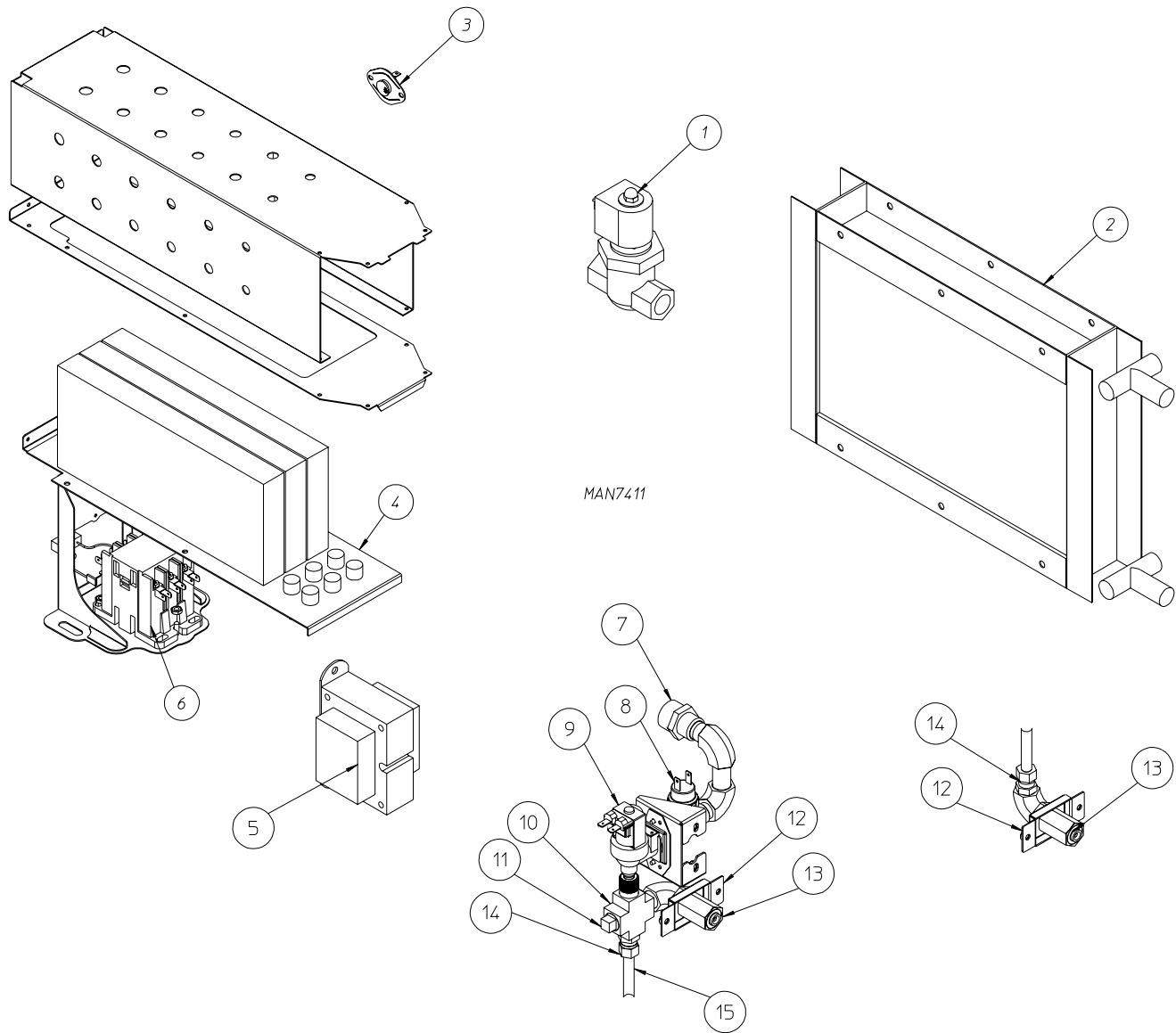


MAN7372.B

# Parts List

---

<u>Illus. No.</u>	<u>Part No.</u>	<u>Qty.</u>	<u>Description</u>
1	819193	1	Lint Box/Blower Assembly Complete
2	819185	1	Blower Motor Assembly 120V
3	100639	1	32 MFD Capacitor
4	130119	1	L190 Automatic Thermostat
5	819526	1	Inner Lint Screen
	319409	2	Inner Lint Screen Clamp
6	818545	1	Blower Housing
7	818986	1	Exhaust Temperature Sensor Assembly
8	122003	1	Lint Door Switch
9	318993	1	Rear Electrical Box (Gas & Steam)
	319327	1	Rear Electrical Box (Electric)
	318727	1	Rear Electrical Box Cover
10	153021	1	1/4" Shakeproof Washer
11	121010	1	Terminal Lug
12	152002	1	1/4-20 Hex Nut
13	819188	1	Axial Temperature Sensor Assembly
14	819648	1	Split Phase Assy (208-240V)
15	120728	1	Quick-Connect Terminal Block
16	153073	2	#8-32 KEPS Nut
17	122200	2	Sail Switch
18	150025	2	#4-40 x 1" Phillips Screw
19	154004	1	Twin Speed Nut
20	153073	14	#8-32 KEPS Nut
21	819113	1	Heat Duct with Sail Switch Assembly
22	818109	1	Front Left/Rear Right Wheel
23	818110	1	Front Right/Rear Left Wheel
24	819314	1	Burner Assembly
	819313	1	Burner Chamber
25	183112	1	Thermostat, Gas High-Limit
26	183144	1	Inshot Burner Tube, Hot Surface Ignition
27	128944	1	Gas Valve 120VAC 60 Hz
	128907	1	Gas Valve 120VAC 50 Hz
	884254	1	Liquid Propane Conversion Kit
28	141318	1	3/8" 90° Union Shutoff
29	140880	1	Natural Gas #22 Burner Orifice
	140905	1	Liquid Propane Gas #44 Burner Orifice
30	128910	1	Globar®
31	183145	1	#8-32 x 7/8" Hex Screw with Washer
32	130500	1	Radiant Control
33	185096	1	3/8" N.P.T. Male 90° Gas Pipe





## Parts List

---

<u>Illus. No.</u>	<u>Part No.</u>	<u>Qty.</u>	<u>Description</u>
1	819579	1	Steam Valve Assembly 120V
2	165066	1	Copper Steam Coil
3	183112	1	High Limit Thermostat
4	119995	1	Electric Element
5	819712	1	120V to 24V Transformer
	819251	1	208V to 24V Transformer
	819267	1	240V to 24V Transformer
	132029	1	208 - 240V to 120V Transformer
6	131352	1	40AMP 24V Contactor
	131357	1	50AMP 24V Contactor
	131321	1	30AMP 120V Contactor
	131325	1	50AMP 120V Contactor
	131324	1	40AMP 208-240V Contactor
7	143025	1	Nylon Hose Adapter
8	136987	1	Pressure Switch
9	165120	1	Water Valve
10	143236	1	3/8" Brass Cross
11	143251	1	3/8" Plug
12	318422	1	S.A.F.E. Bracket
13	143581	1	Spray Nozzle
14	143208	1	3/8 Brass Connector
15	143099	1	3/8"OD Copper Tubing

