



ML-190 Phase 7 Parts Manual

American Dryer Corporation
88 Currant Road
Fall River, MA 02720-4781
Telephone: (508) 678-9000 / Fax: (508) 678-9447
E-mail: techsupport@amdry.com
www.amdry.com

Retain This Manual In A Safe Place For Future Reference

American Dryer Corporation products embody advanced concepts in engineering, design, and safety. If this product is properly maintained, it will provide many years of safe, efficient, and trouble-free operation.

ONLY qualified technicians should service this equipment.

OBSERVE ALL SAFETY PRECAUTIONS displayed on the equipment or specified in the installation manual included with the dryer.

The following “**FOR YOUR SAFETY**” caution **must be** posted near the dryer in a prominent location.

FOR YOUR SAFETY

Do not store or use gasoline or other flammable vapors and liquids in the vicinity of this or any other appliance.

POUR VOTRE SÉCURITÉ

Ne pas entreposer ni utiliser d'essence ni d'autres vapeurs ou liquides inflammables à proximité de cet appareil ou de tout autre appareil.

We have tried to make this manual as complete as possible and hope you will find it useful. ADC reserves the right to make changes from time to time, without notice or obligation, in prices, specifications, colors, and material, and to change or discontinue models.

Important

For your convenience, log the following information:

DATE OF PURCHASE _____ MODEL NO. **ML-190 Phase 7** _____

RESELLER'S NAME _____

Serial Number(s) _____

Replacement parts can be obtained from your reseller or the ADC factory. When ordering replacement parts from the factory, you can FAX your order to ADC at (508) 678-9447 or telephone your order directly to the ADC Parts Department at (508) 678-9000. Please specify the dryer **model number** and **serial number** in addition to the **description** and **part number**, so that your order is processed accurately and promptly.

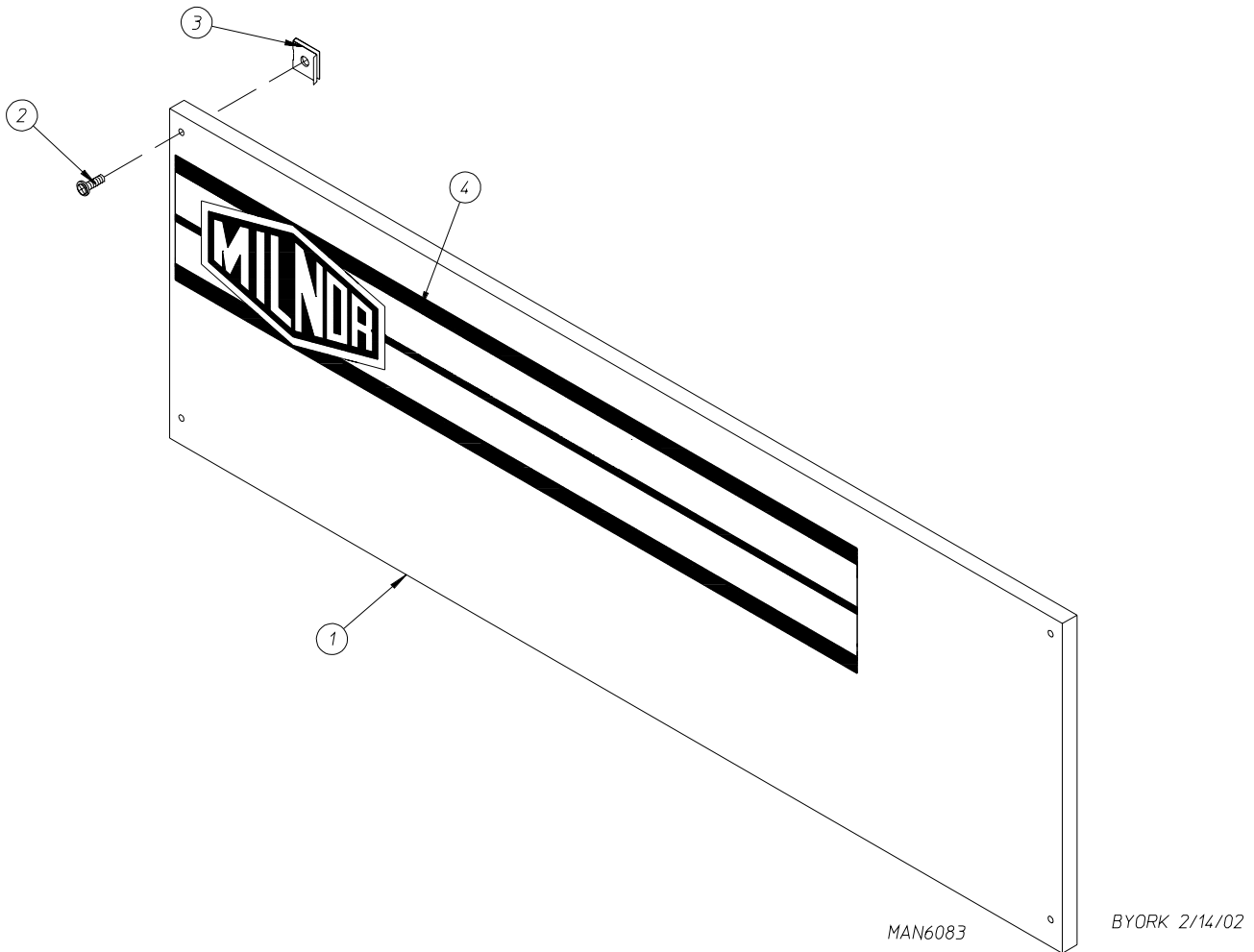
The illustrations on the following pages may not depict your particular dryer exactly. The illustrations are a composite of the various dryer models. Be sure to check the descriptions of the parts thoroughly before ordering.

“IMPORTANT NOTE TO PURCHASER”

Information **must be** obtained from your local gas supplier on the instructions to be followed if the user smells gas. These instructions **must be** posted in a prominent location near the dryer.

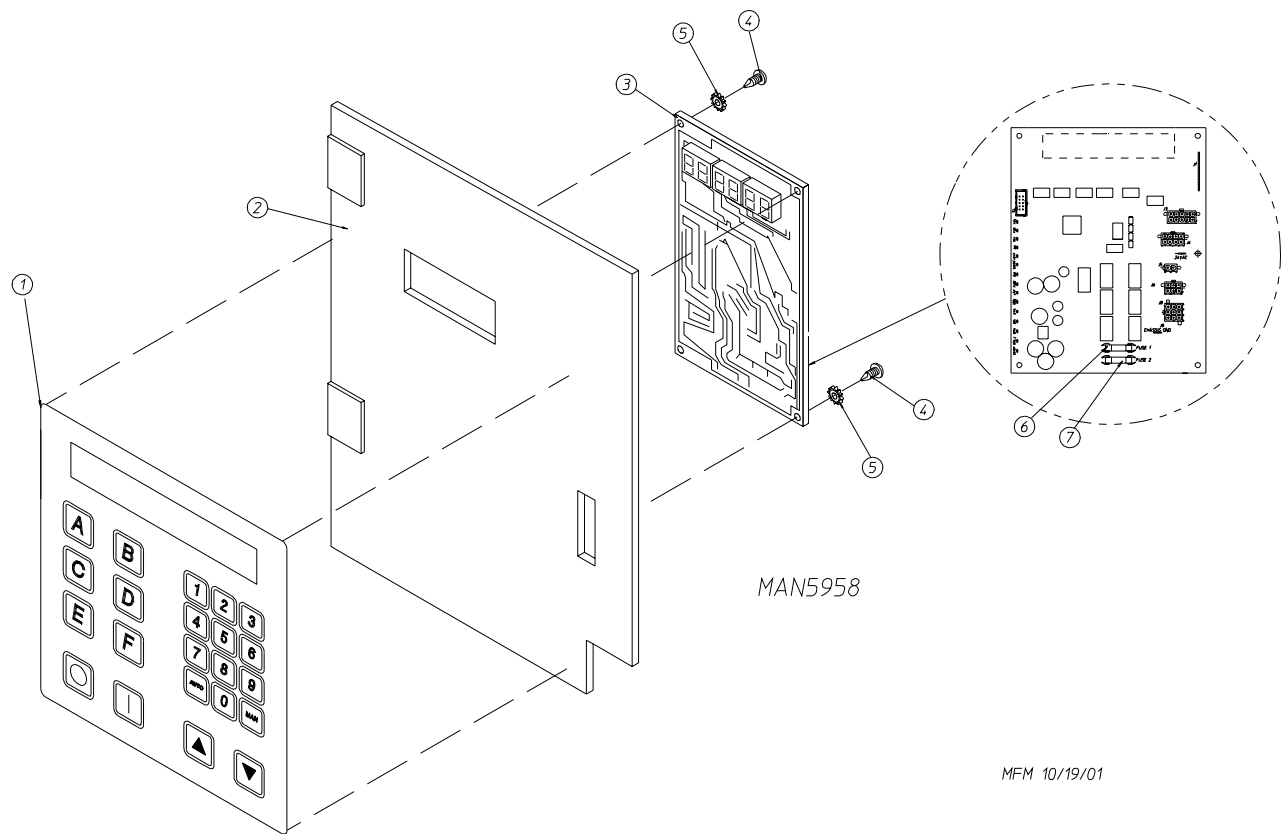
Table of Contents

Control Door Assembly	2
Phase 7 OPL Microprocessor Control Panel Assembly	3
Front Panel/Main Door Assemblies	4, 5
Main Door Assembly	6, 7
Main Door Switch	8
Basket (Tumbler) Assembly	9
Lint Door Assembly	10
Lint Drawer/Lint Drawer Switch Box Assemblies	11
Rotational Sensor Assembly	12
Idler Shaft Assembly	13
Drive Shaft Assembly	14
Speed Reducer Shaft Assembly	15
Microprocessor Temperature Sensor Bracket Assembly	16
Totally Enclosed, Non-Venting (T.E.N.V.) Drive Motor Assembly	17
Blower Motor Mount Assembly	18
Fan (Squirrel Cage) Shaft Mount Assembly	19
Direct Spark Ignition (DSI) Gas Burner Assembly	20, 21
Sail Switch Assembly	22
Steam Damper Assembly	23
Top Console Assembly	24
Pneumatic Valve Assembly	
For Gas Models ONLY	25
Pneumatic Valve Assembly	
For Steam Models ONLY	26
Air Jet Assembly	27
Microprocessor Reversing Contactor Mounting Panel Assembly	28, 29
Back Guard Assemblies	30, 31



<u>Illus. No.</u>	<u>Part No.</u>	<u>Qty.</u>	<u>Description</u>
1*	883256	1	Phase 7 Control Door (gas)
	883222	1	Phase 7 Control Door (steam)
2	150321	4	#10-32 x 1/2" Phillips Machine Screw
3	154011	4	#10-32 Multi-Thread U-Nut
4	112366	1	Milnor Logo

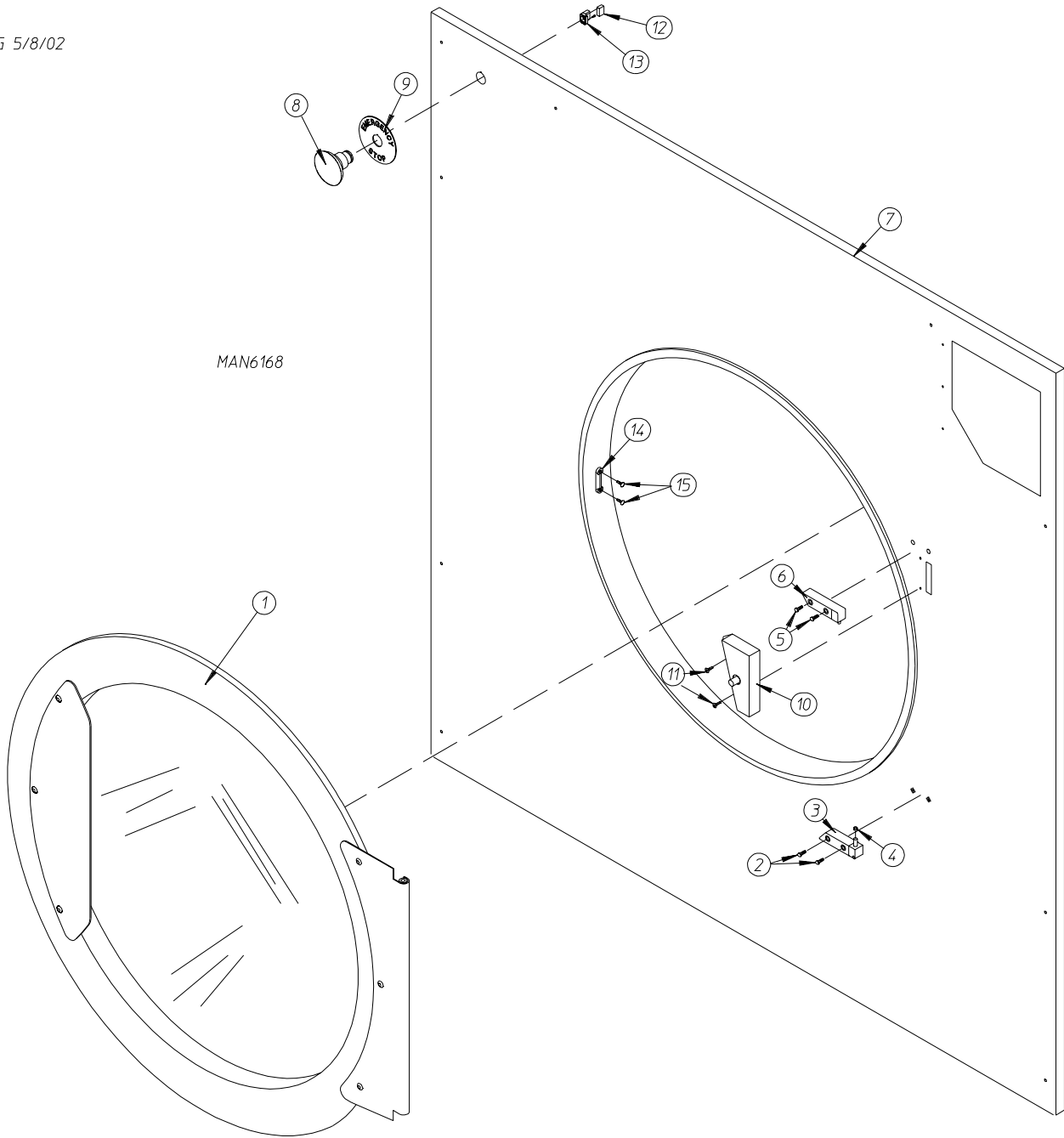
* Specify color when ordering.



<u>Illus. No.</u>	<u>Part No.</u>	<u>Qty.</u>	<u>Description</u>
1	112537	1	Phase 7 OPL Keyboard
2	850980	1	Phase 7 Microprocessor Controller (computer) Panel ONLY
3	822754	1	Phase 7 OPL Reversing Microprocessor Controller (computer) Control Panel Assembly Complete (includes illus. nos. 1 through 7)
	137247	1	Phase 7 OPL Microprocessor Controller (computer) ONLY
4	150005	2	#6-32 x 3/4" Phillips Round Head Machine Screw
5	153010	2	#6 Star Washer
6	136016	1	5-Amp Fuse
7	136097	1	500-mA Fuse

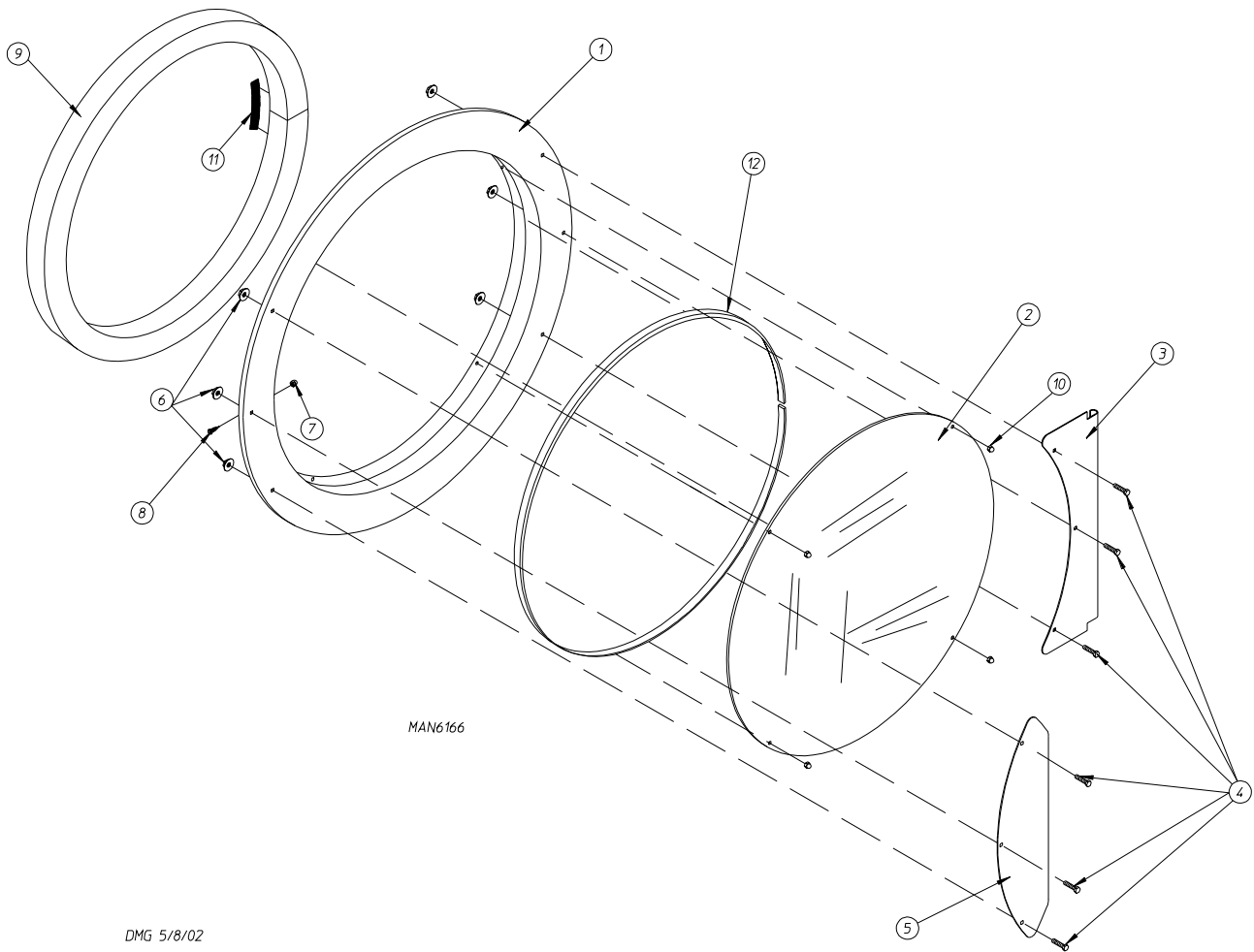
DMG 5/8/02

MAN6168

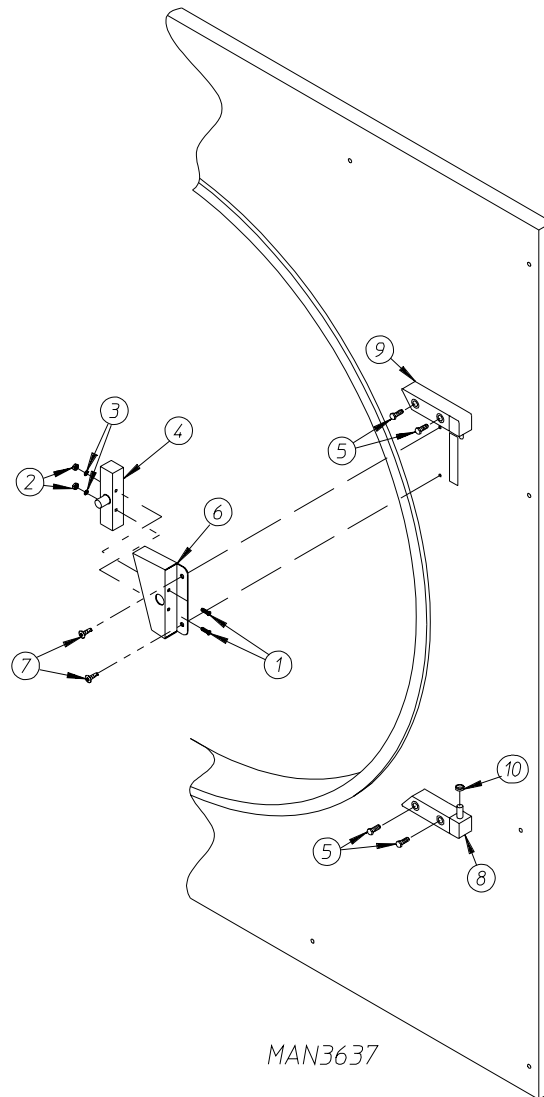


<u>Illus. No.</u>	<u>Part No.</u>	<u>Qty.</u>	<u>Description</u>
1	835003	-	Cold Rolled Steel (CRS) Main Door Assembly (Refer to Main Door Assembly on page 6 and 7)
2	150443	2	Socket Cap Screw
3	170331	1	Bottom Hinge Block
4	153031	1	Nylon Washer
5	150443	2	Socket Cap Screw
6	170329	1	Top Hinge Block
7	819026	1	ML-190 Front Panel Assembly for Round Door
8	122351	1	Large EMERGENCY STOP (E-Stop) Mushroom Head Switch
9	122419	1	“EMERGENCY STOP” (E-Stop) Nameplate
10	801786	1	Milnor Main Door Switch and Housing for Round Door
11	150301	2	#8 x 7/16” Phillips Head TEK Screw
12	132387	1	Normally Closed (N.C.) Contact Block
13	132395	1	Normally Closed (N.C.) Contact Block with Base
14	170330	1	Friction Door Latch
15	154215	2	5/32” Pop Rivet
*	116260	1	8-3/8” x 56-1/8” Front Panel Left Side Insulation
*	116261	1	7-3/8” x 56-1/8” Front Panel Right Side Insulation
*	116262	1	27” x 37” Top Front Panel Insulation
*	116265	1	27” x 37” Bottom Front Panel Insulation
*	116290	1	11-1/2” x 26-1/2” Front Panel Top Center Insulation
*	116291	1	1-1/2” x 51” Hat Stiffener Insulation

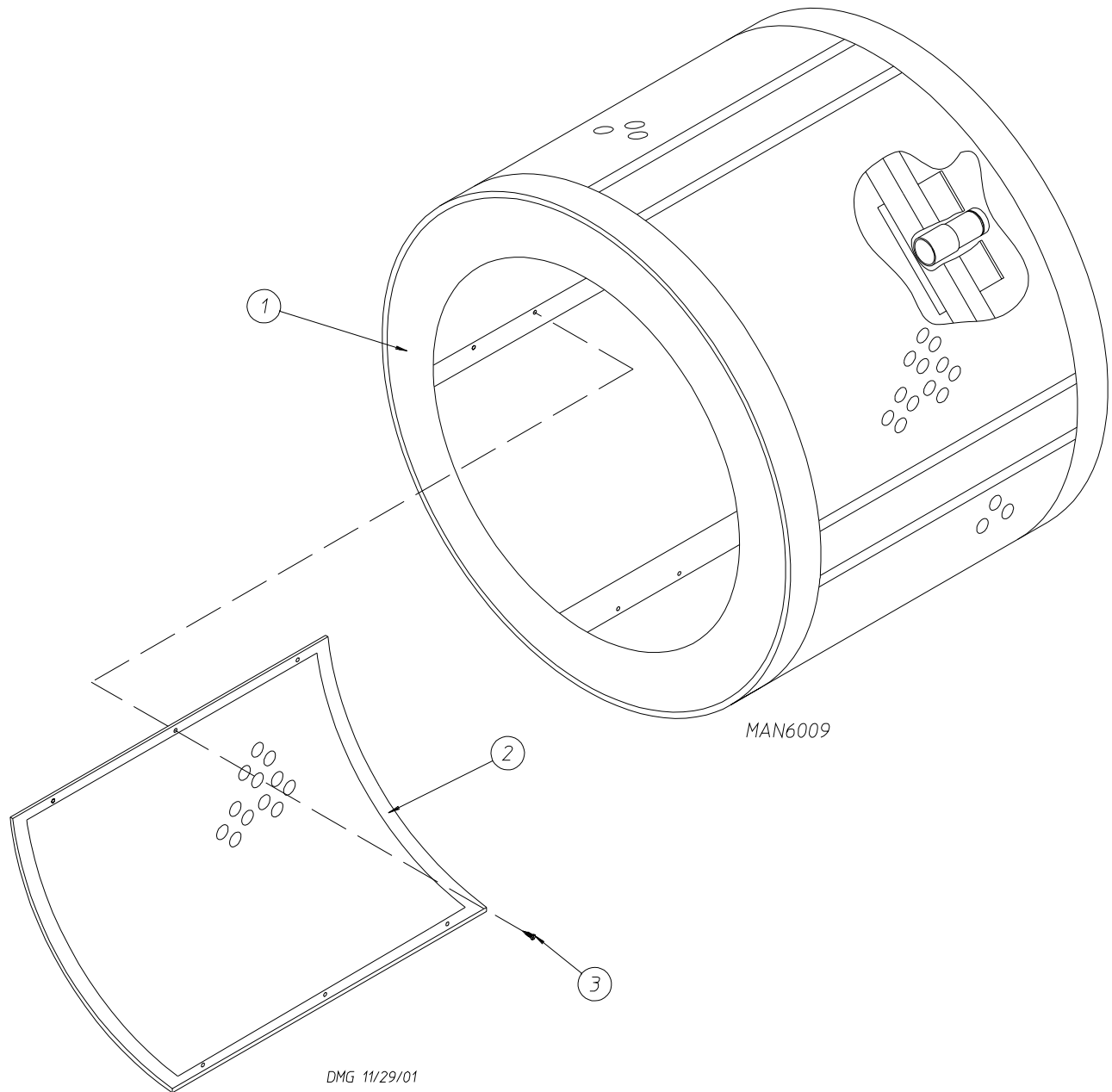
* Not Illustrated.



<u>Illus. No.</u>	<u>Part No.</u>	<u>Qty.</u>	<u>Description</u>
1	835057	1	Large Main Door Ring
2	102214	1	30" Door Glass
3	835128	1	Large Main Door Hinge
4	150683	6	1/4-20 x 5/8" Carriage Bolt (black)
5	314729	1	Large Main Door Handle
6	152014	6	1/4-20 Free Spin Wash Nut
7	151009	1	Stainless Steel Hex Acorn Lock Nut
8	150120	1	#10-32 x 7/16" Door Latch Screw
9	102357	1	Extruded Steel Door Gasket
10	151012	4	#10-32 Nylon Acorn Nut (white)
11	110006	2"	1/2" Strapping Tape (black)
12	102362	8'	Gasket Tape (white)

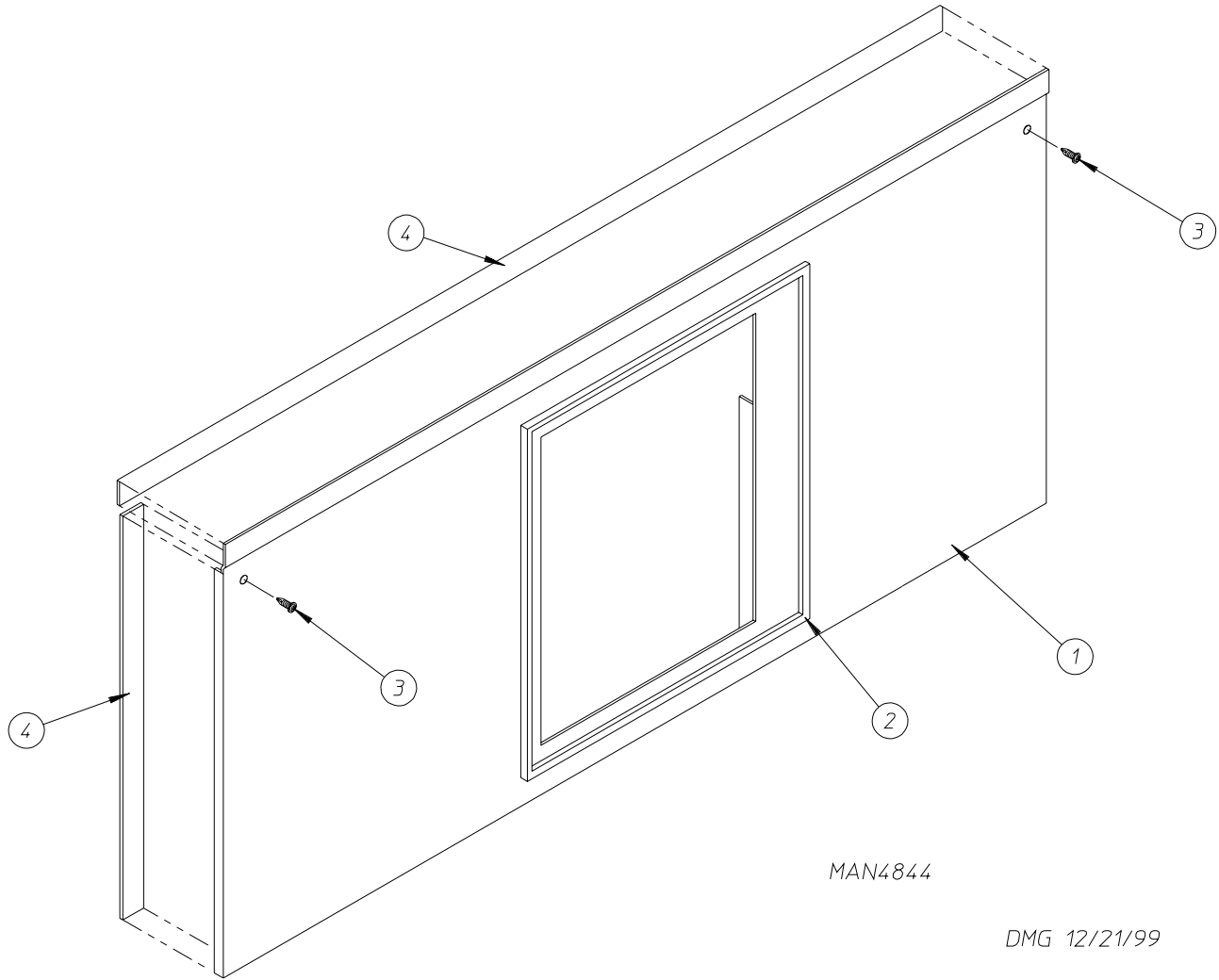


<u>Illus. No.</u>	<u>Part No.</u>	<u>Qty.</u>	<u>Description</u>
1	150006	2	#6-32 x 7/8" Phillips Pan Head Machine Screw
2	152013	2	#6-32 Hex Nut
3	153010	2	#6 Star Washer
4	137005	1	Single-Pole Door Switch
5	150443	4	1/4-20 x 3/4" Stainless Steel Cap Screw
6	881687	1	Main Door Switch Housing ONLY (white)
	882291	1	Main Door Switch Housing ONLY (coral wrinkle blue)
	881702	1	Main Door Switch with Housing Assembly (white) (includes illus. nos. 1 through 4 and 6)
	882298	1	Main Door Switch Housing Assembly (coral wrinkle blue) (includes illus. nos. 1 through 4 and 6)
7	150201	2	#10-32 x 1/4" Phillips Pan Head Screw
8	881441	1	Bottom Hinge Block (white)
	882283	1	Bottom Hinge Block (coral wrinkle blue)
9	881440	1	Top Hinge Block (white)
	882284	1	Top Hinge Block (coral wrinkle blue)
10	153031	1	Nylon Washer

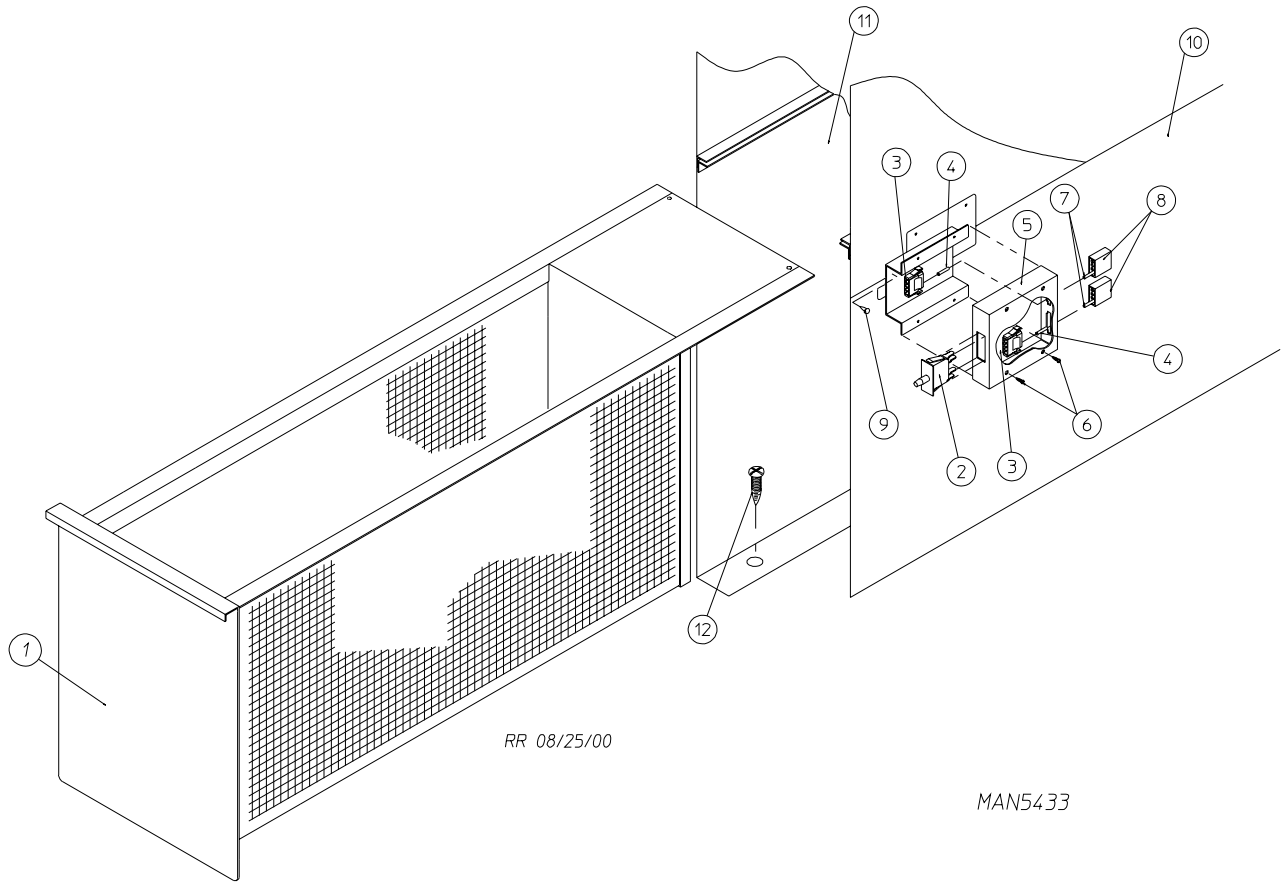


<u>Illus. No.</u>	<u>Part No.</u>	<u>Qty.</u>	<u>Description</u>
1	819042	1	Basket (tumbler) Assembly Complete (includes illus. nos. 1 through 3)
2	883328	4	Perforated Basket (tumbler) Panel
3	150118	40	1/4-20 x 1/4" Phillips Pan Head Screw
*	881619	1	Rotational Sensor Magnet

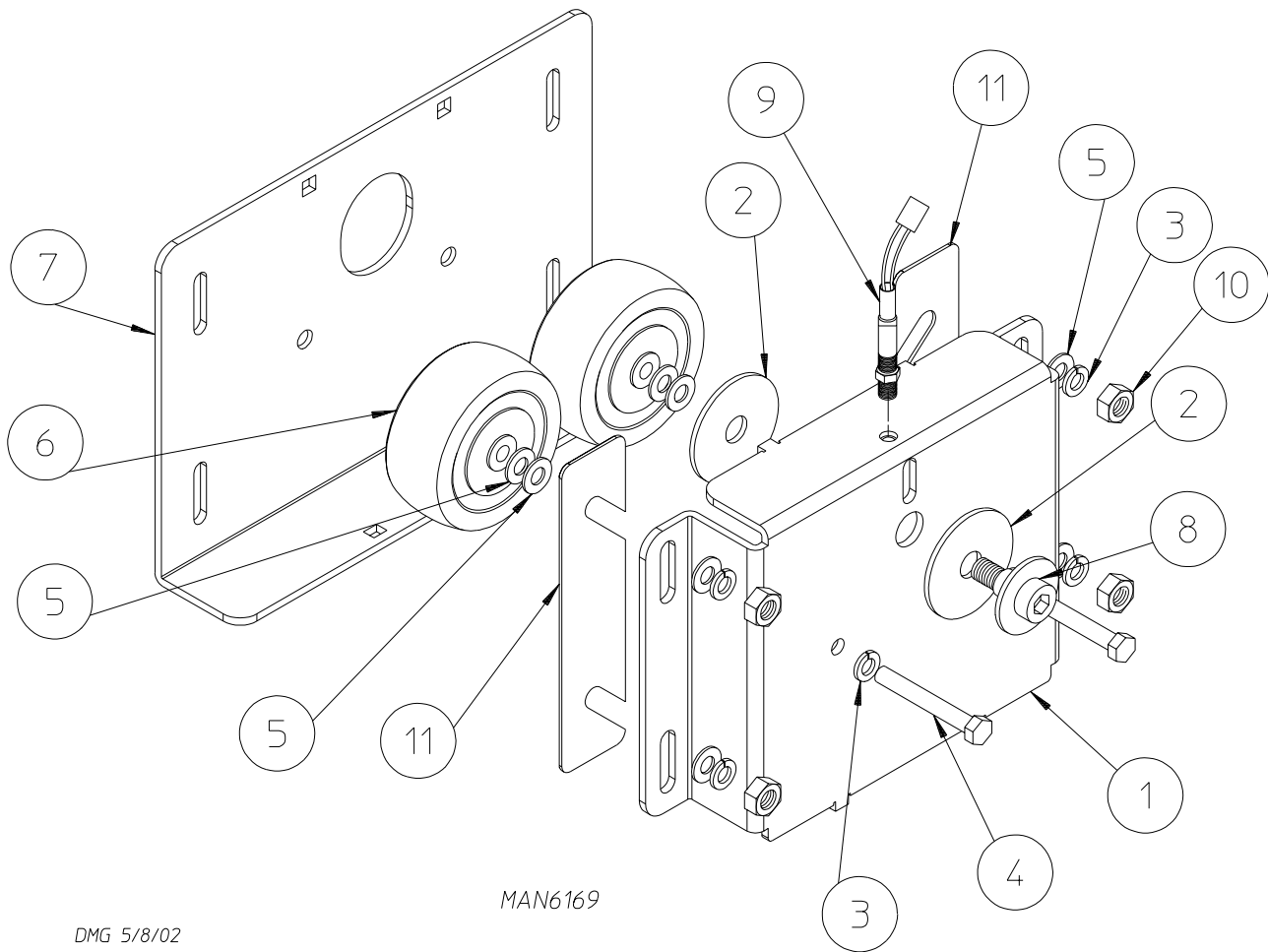
* Not Illustrated.



<u>Illus. No.</u>	<u>Part No.</u>	<u>Qty.</u>	<u>Description</u>
1	882443	1	White Lint Door Assembly (includes illus. nos. 1, 2, and 4)
	882444	1	Coral Wrinkle Blue Lint Door Assembly (includes illus. nos. 1, 2, and 4)
2	117605	5'	Neoprene Sponge Tape (sold by the foot)
3	150309	5	#10-16 x 1/2" Hex Head TEK Crimptite Screw
4	117604	9'	Neoprene Sponge Tape (sold by the foot)



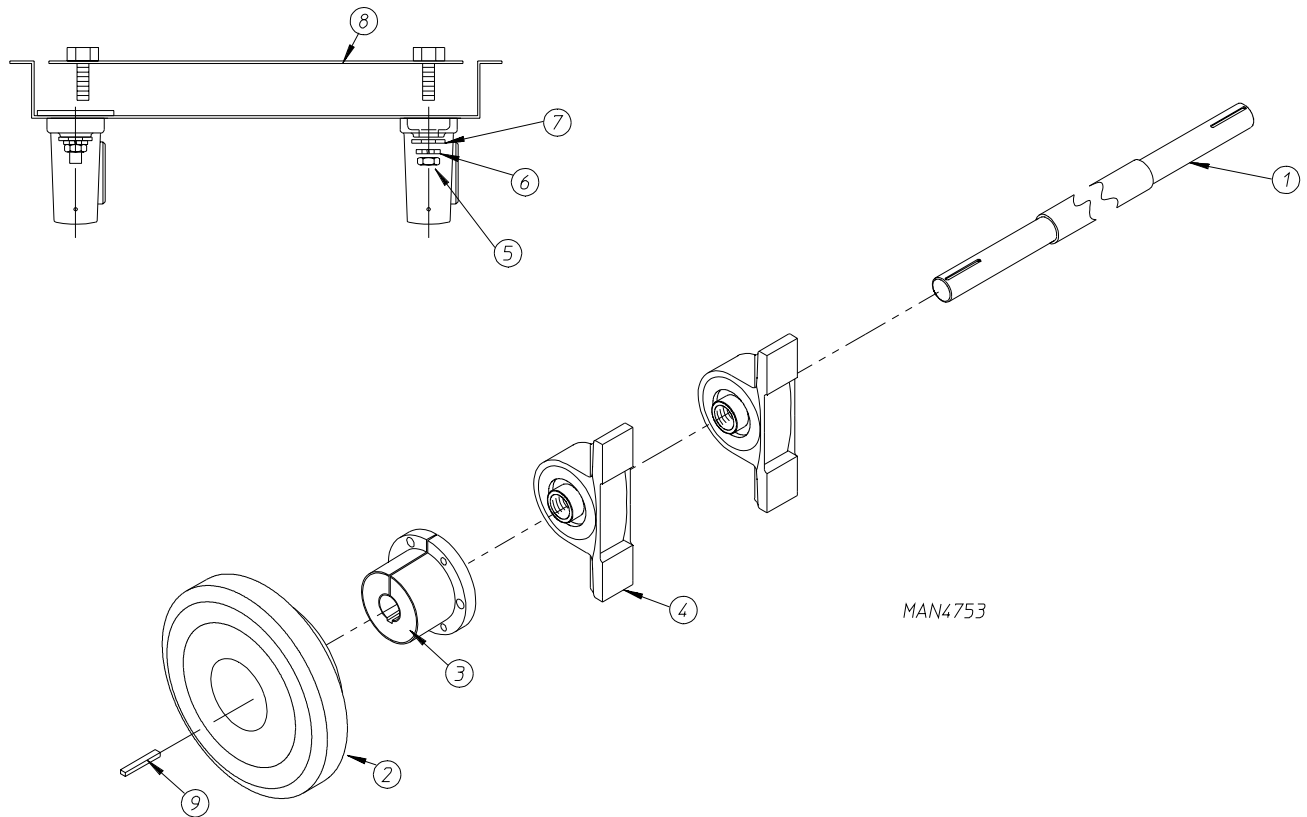
<u>Illus. No.</u>	<u>Part No.</u>	<u>Qty.</u>	<u>Description</u>
1	882792	1	White Lint Drawer/Screen Assembly
	882793	1	Coral Wrinkle Blue Lint Drawer/Screen Assembly
2	122116	1	Lint Drawer Switch ONLY
3	122605	1	4-Pin Socket Connector
4	122701	2	Socket Terminal ONLY
	122801	1	Pin/Socket Extraction Tool
5	882507	1	Lint Drawer Switch Box Assembly Complete (includes illus. nos. 3 through 6)
6	150301	4	#8-18 x 7/16" Phillips Pan Head TEK Screw
7	122700	2	Pin Terminal ONLY
8	122604	1	4-Pin Connector
9	150301	2	#8-18 x 7/16" Phillips Pan Head TEK Screw
10	319076	1	Right Hand Divider Panel
11	319077	1	Left Hand Divider Panel
12	150301	14	#8-18 x 7/16" Phillips Pan Head TEK Screw



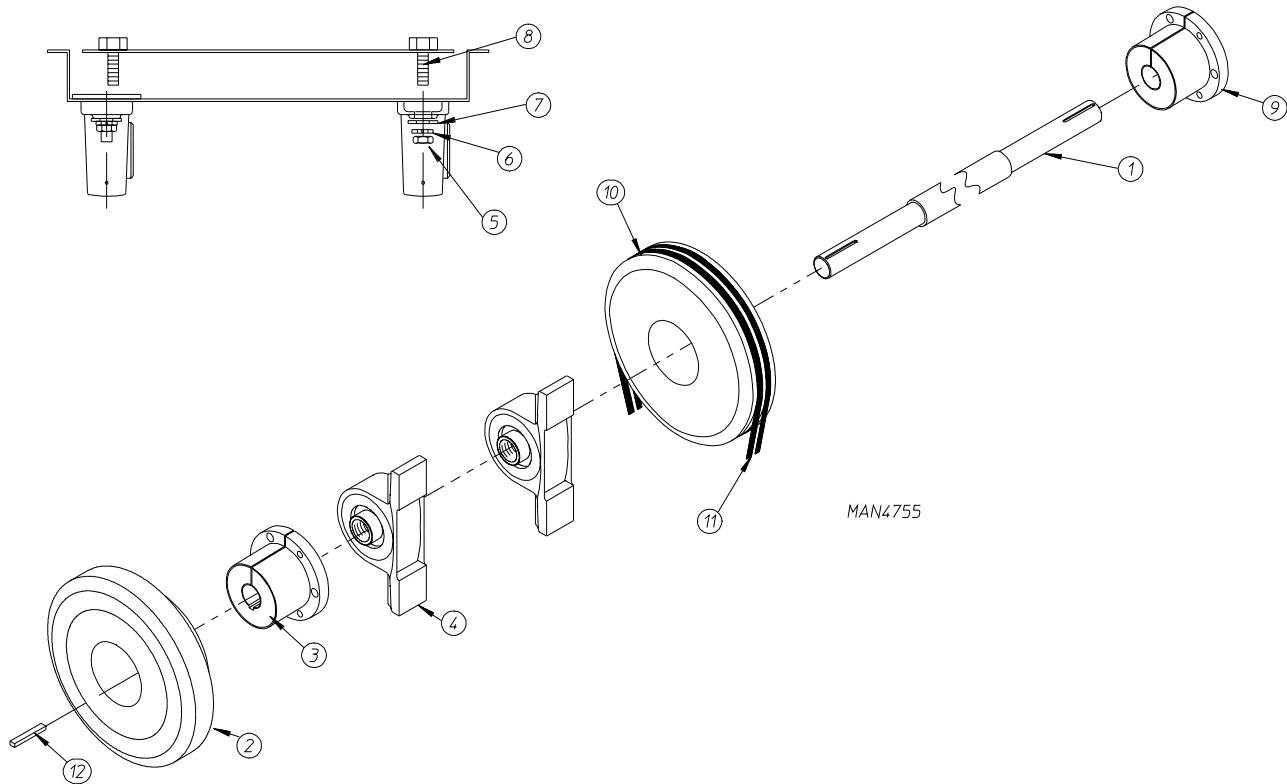
MAN6169

DMG 5/8/02

<u>Illus. No.</u>	<u>Part No.</u>	<u>Qty.</u>	<u>Description</u>
1	819064	1	Basket (tumbler) Shaft Support Assembly Complete (includes illus. nos. 1 through 8)
	835339	1	Basket (tumbler) Shaft Support Bracket
2	102394	2	Basket (tumbler) Friction Pad
3	153005	6	3/8" Lock Washer
4	150619	2	3/8-16 x 1" Tap Bolt
5	153004	8	3/8" Flat Washer
6	180018	4	4" x 1-1/2" Hi-Impact Wheel
7	819046	1	Basket (tumbler) Adjustment Plate
8	819065	1	Basket (tumbler) Shoulder Screw
9	822735	1	Phase 7 Rotational Sensor Assembly
10	152005	4	3/8-16 Hex Nut
11	323433	2	Rear Wheel Shim

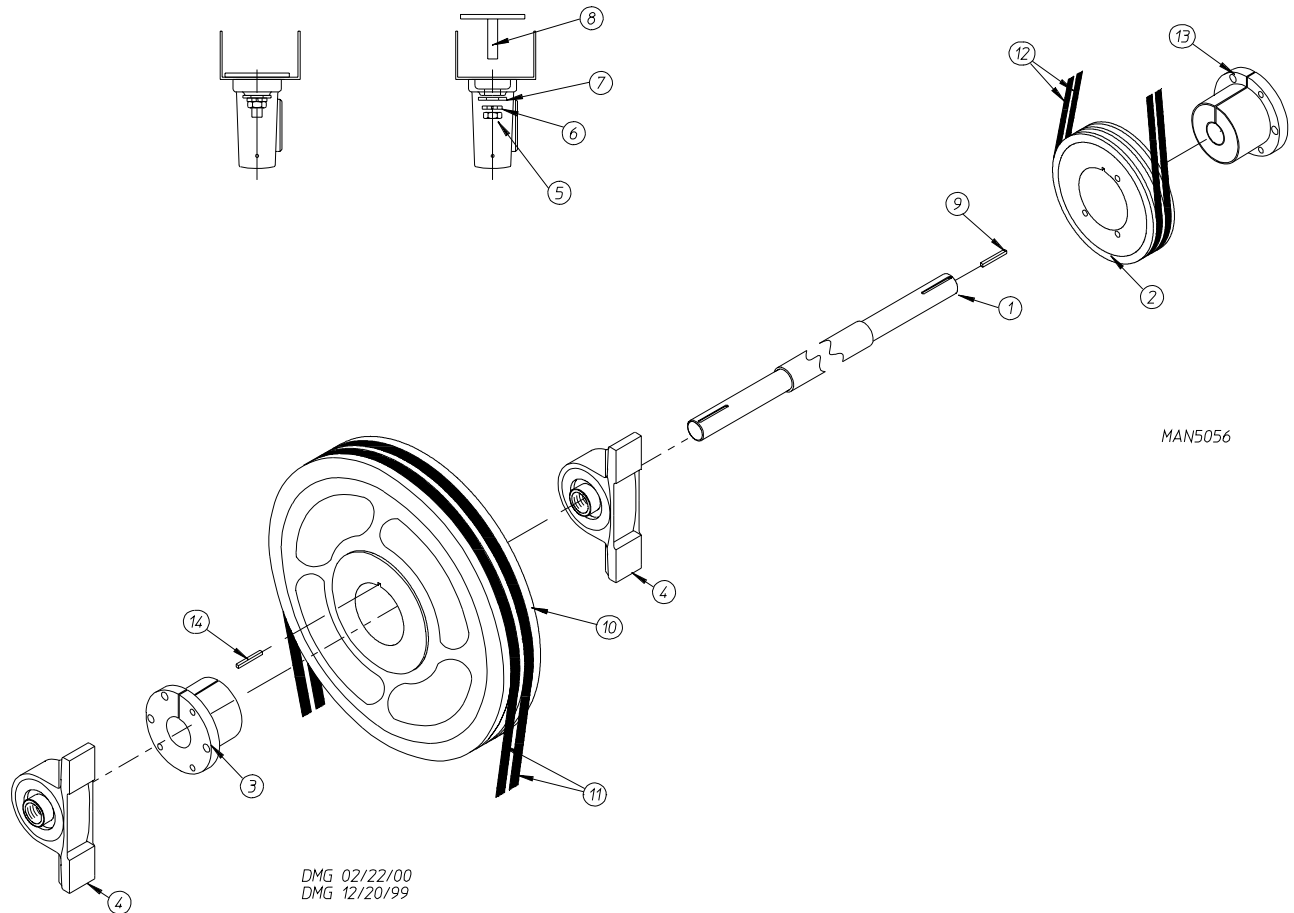


<u>Illus. No.</u>	<u>Part No.</u>	<u>Qty.</u>	<u>Description</u>
1	882461	1	Idler Shaft Assembly (includes illus. nos. 1 and 4)
2	180034	1	11" Drive Wheel
3	101227	1	1-1/2" Taper Lock Bushing
4	-----	2	1-3/8" Pillow Block Bearing (sold only as part of illus. no. 1)
5	152011	4	1/2-13 Hex Nut
6	153026	4	1/2" Lock Washer
7	153050	4	1/2" Flat Washer
8	819015	2	Bearing Backing Plate Assembly
9	100717	1	5/16" x 5/16" x 2-3/4" Long Key



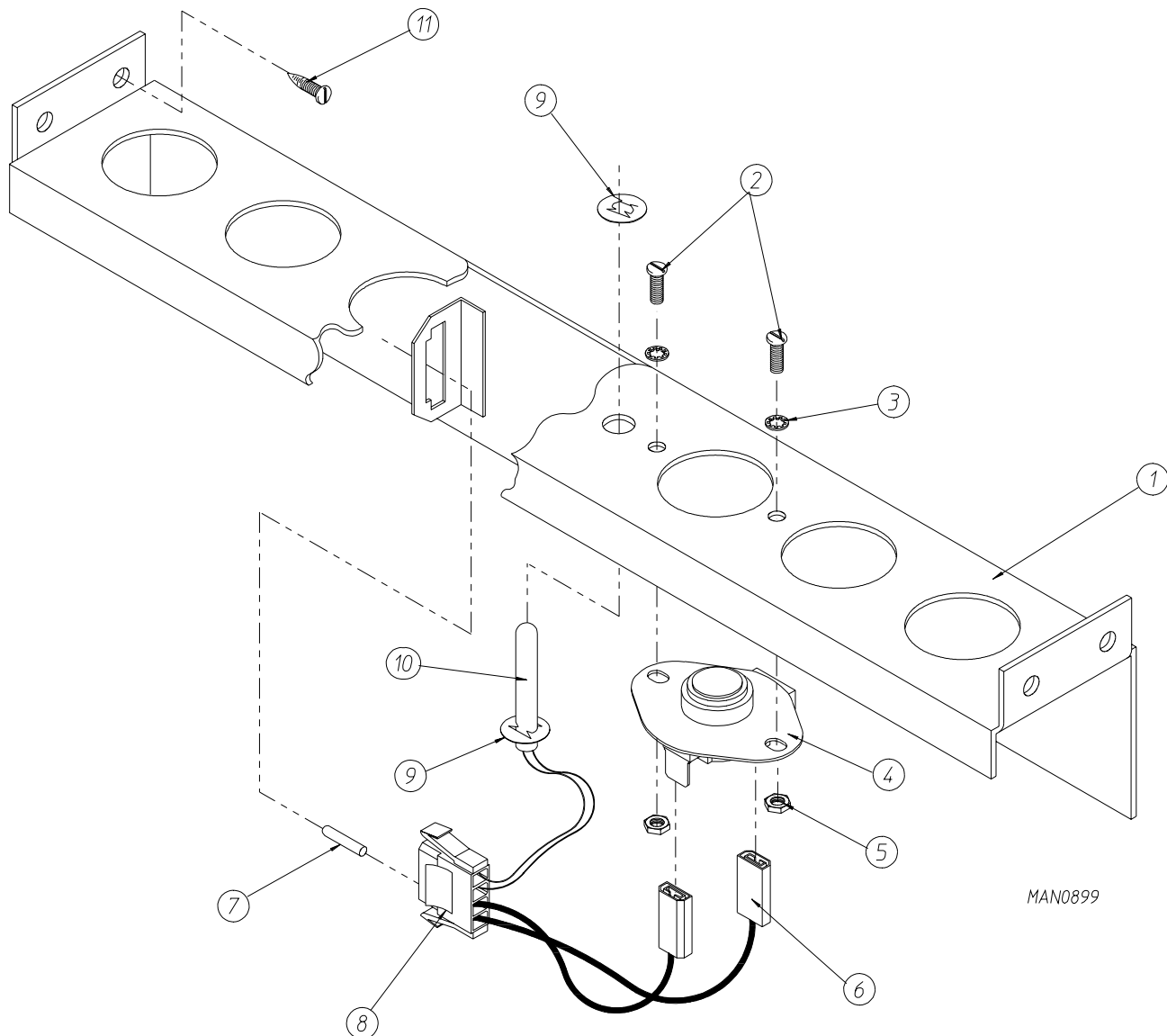
<u>Illus. No.</u>	<u>Part No.</u>	<u>Qty.</u>	<u>Description</u>
1	882461	1	Basket (tumbler) Shaft Assembly (includes illus. nos. 1 and 4)
2	180034	1	11" Drive Wheel
3	101227	1	1-1/2" Taper Lock Bushing
4	-----	2	1-1/2" Pillow Block Bearing (sold only as part of illus. no. 1)
5	152011	4	1/2-13 Hex Nut
6	153026	4	1/2" Lock Washer
7	153050	4	1/2" Flat Washer
8	819015	2	Bearing Backing Plate Assembly
9	101150	1	1-1/2" Bushing with Setscrew
10	101189	1	2B x 8.0 Pulley
11*	100193	2	BX-45 Cogged Belt
12	100717	1	5/16" x 5/16" x 2-3/4" Key

* Replace in matched sets (both belts).

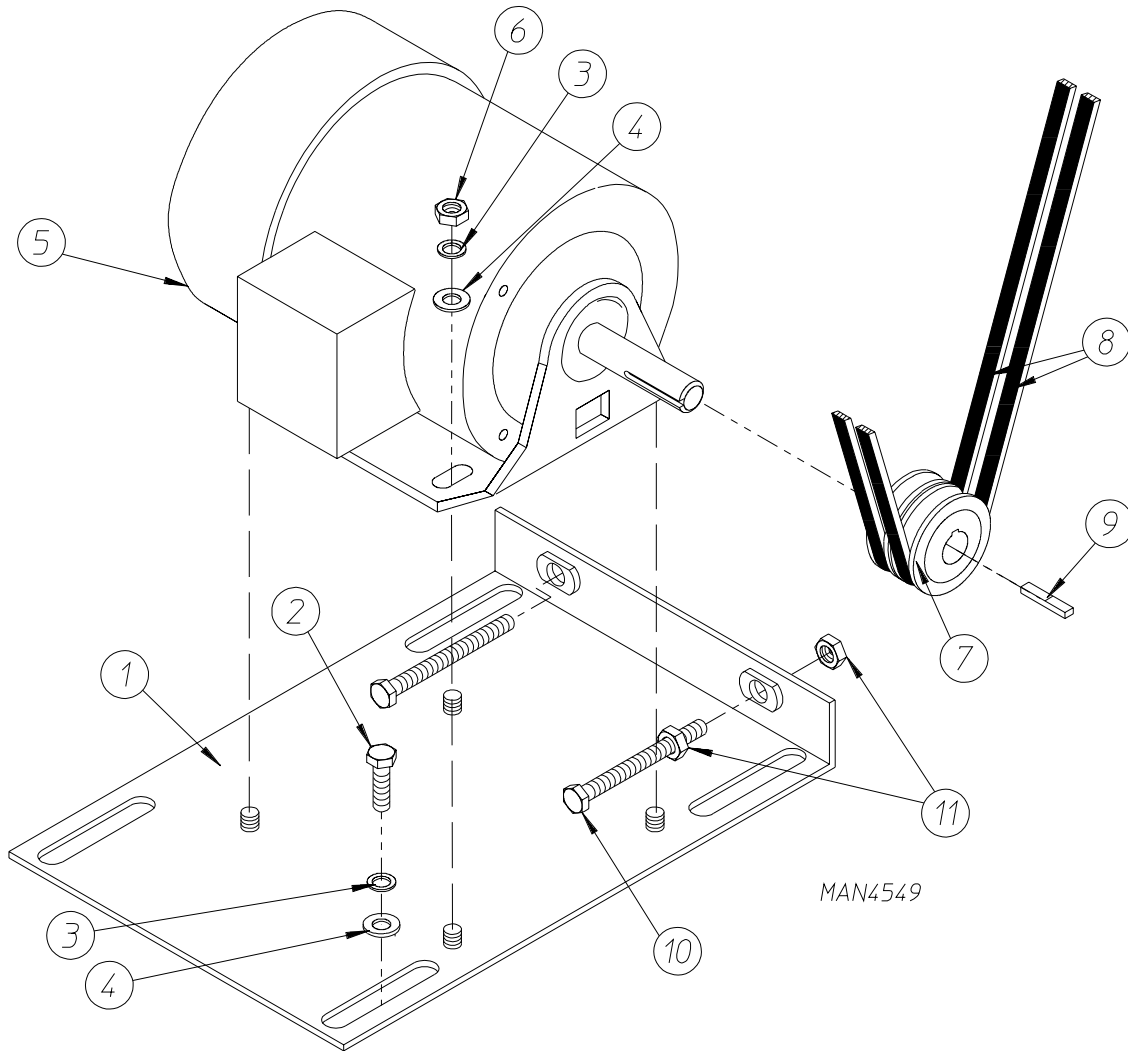


<u>Illus. No.</u>	<u>Part No.</u>	<u>Qty.</u>	<u>Description</u>
1	882461	1	Speed Reducing Shaft Assembly (includes illus. nos. 1 and 4)
2	101160	1	2B x 3.4 SH Sheave
3	101150	1	1-1/2" Bushing with Setscrew
4	-----	2	1-3/8" Pillow Block Bearing (sold only as part of illus. no. 1)
5	152011	4	1/2-13 Hex Nut
6	153026	4	1/2" Lock Washer
7	153050	4	1/2" Flat Washer
8	819015	2	Bearing Back Up Plate
9	100710	1	3/8" x 3/8" x 3" Long Key
10	101193	1	2B x 13.6" SK Sheave
11*	100128	2	BX-50 Belt
12*	100193	2	BX-45 Cogged Belt
13	101230	1	1-1/2" Bushing with Setscrew and Key
14	-----	1	Comes with Bushing PN 101230

* Replace in matched sets (both belts).



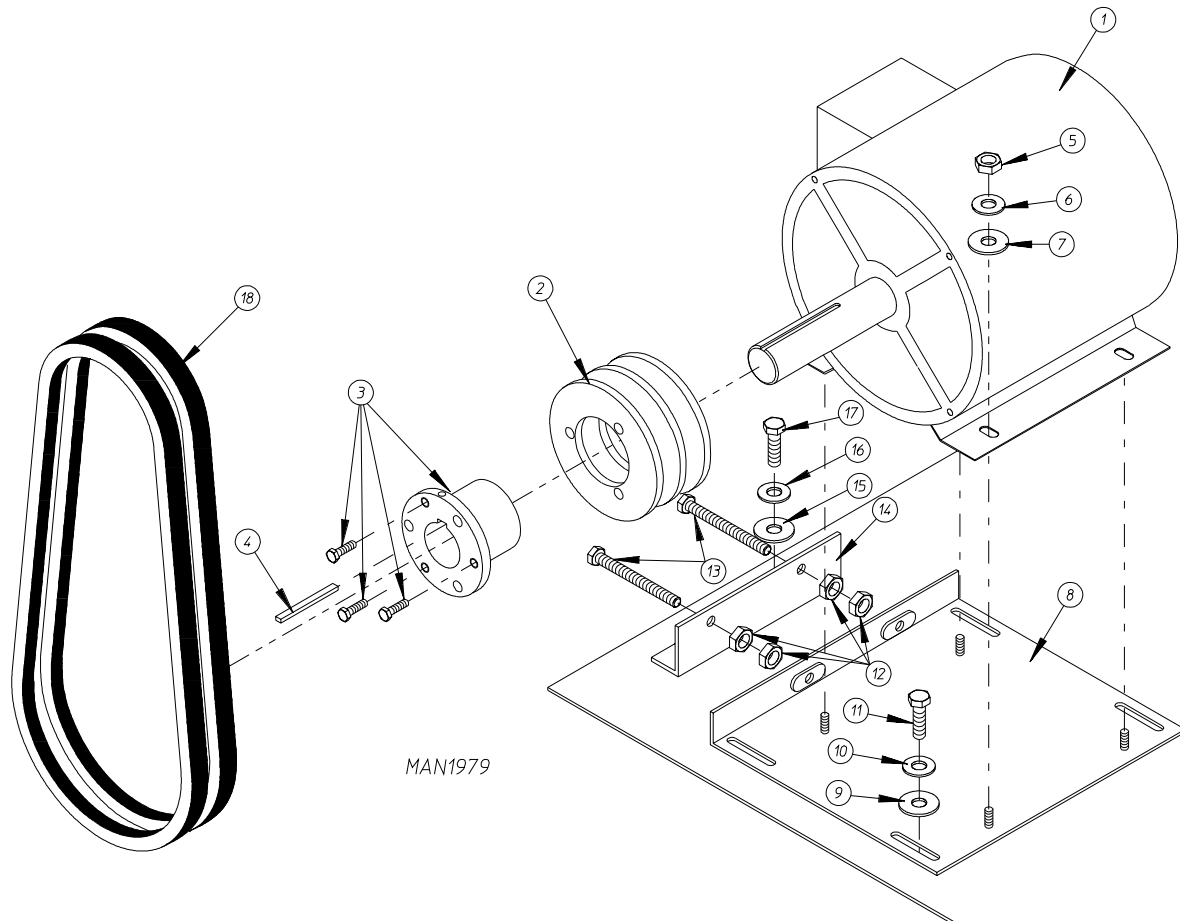
<u>Illus. No.</u>	<u>Part No.</u>	<u>Qty.</u>	<u>Description</u>
1	815931	1	Microprocessor Temperature Sensor Bracket Complete (includes illus. nos. 1 through 10)
	820967	1	Microprocessor Temperature Sensor Bracket ONLY
2	150005	2	#6-32 x 1/4" Round Head Machine Screw
3	153010	2	#6 Star Washer
4	130302	1	225° Manual Reset Thermostat ONLY
5	152000	2	#6-32 Hex Nut
6	121028	2	1/4" x .032 Insulated Terminal
7	122701	4	Socket Terminal ONLY
8	122605	1	4-Pin Socket Connector
9	154007	2	1/4" Push On Fastener
10	880251	1	1/4" Temperature Sensor Probe Assembly (includes illus. nos. 6 through 10)
11	150301	4	#8-18 x 7/16" Phillips Pan Head TEK Screw



Illus. No.	Part No.	Qty.	Description
1	835297	1	Motor Adjustment Plate
2	150501	4	5/16-18 x 3/4" Hex Head Tap Bolt
3	153002	8	5/16" Lock Washer
4	153001	8	5/16" Flat Washer
5	100043	1	3 HP 208-230/460v 3ø 60 Hz Totally Enclosed, Non-Venting (T.E.N.V.) Motor
	181019	1	380-416v 3ø 50 Hz Totally Enclosed, Non-Venting (T.E.N.V.) Motor
	181019	1	3 HP 575v 3ø 60 Hz Totally Enclosed, Non-Venting (T.E.N.V.) Motor
6	152004	4	5/16" Hex Nut
7	101235	1	2MB35 x 1-1/8" Pulley
	101132	1	5/8" Bore x 2.0" Pulley
8*	100128	2	BX-50 V-Belts
9**	-----	1	5/16" Key
10	150619	2	3/8-16 x 3" Tap Bolt
11	152005	4	3/8-16 Hex Nut

* Replace in matched sets (both belts).

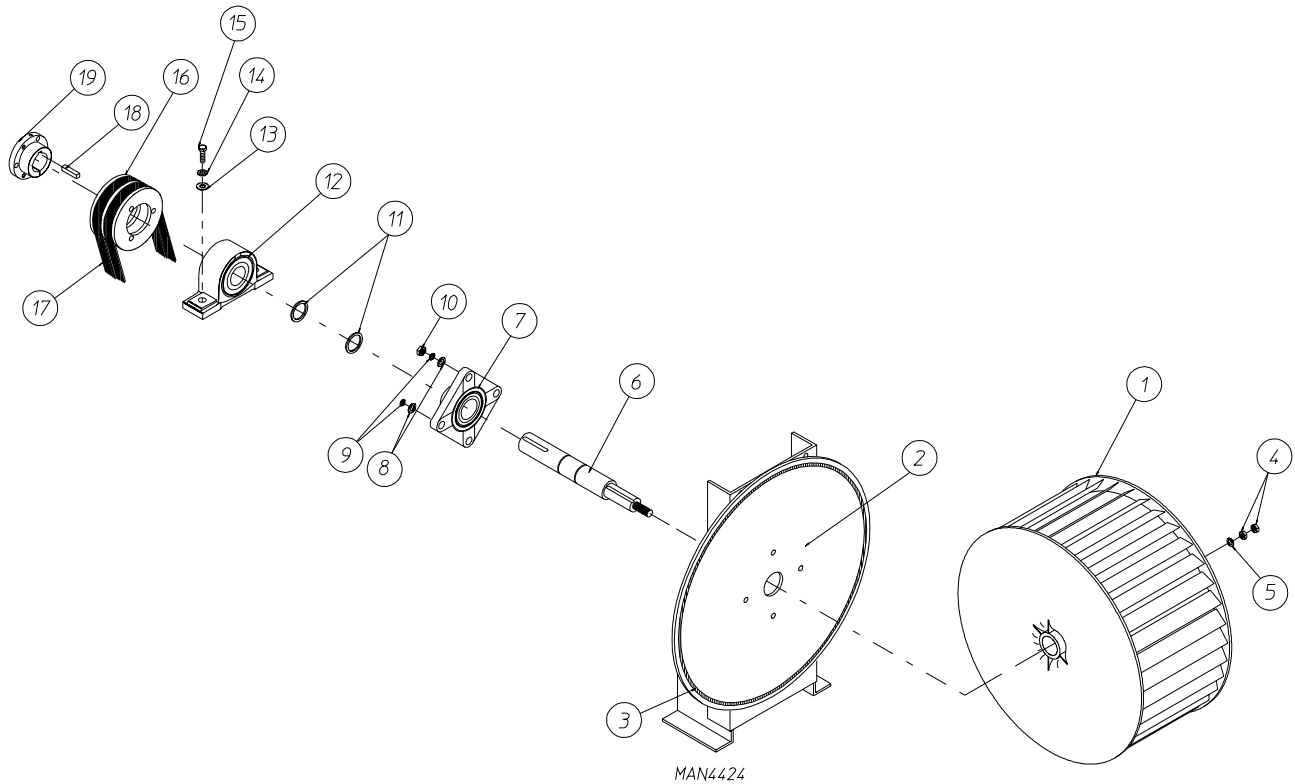
** Consult factory.



<u>Illus. No.</u>	<u>Part No.</u>	<u>Qty.</u>	<u>Description</u>
1	181030*	1	7-1/2 HP 208-230/460v 3 ϕ 60 Hz Motor ONLY
	181039	1	7-1/2 HP 575v 3 ϕ 60 Hz Motor
2	101147	1	2B x 4.8 Motor Pulley 60 Hz ONLY
3	101152	1	SH x 1-3/8" Bushing
4	100706	1	5/16" x 5/16" x 1-3/8" Key
5	152004	4	5/16-18 Hex Nut
6	153002	4	5/16" Lock Washer
7	153001	4	5/16" Flat Washer
8	821091	1	Motor Mount Adjustment Plate ONLY
9	153001	4	5/16" Flat Washer
10	153002	4	5/16" Lock Washer
11	150501	4	5/16-18 x 3/4" Hex Head Machine Bolt
12	152004	4	5/16-18 Hex Nut
13	150503	2	5/16-18 x 2" Hex Head Machine Bolt
14	332322	1	Motor Mount Adjustment Angle ONLY
15	153001	2	5/16" Flat Washer
16	153002	2	5/16" Lock Washer
17	150501	2	5/16-18 x 3/4" Hex Head Machine Bolt
18**	100159	2	BX-61 Cogged Belt

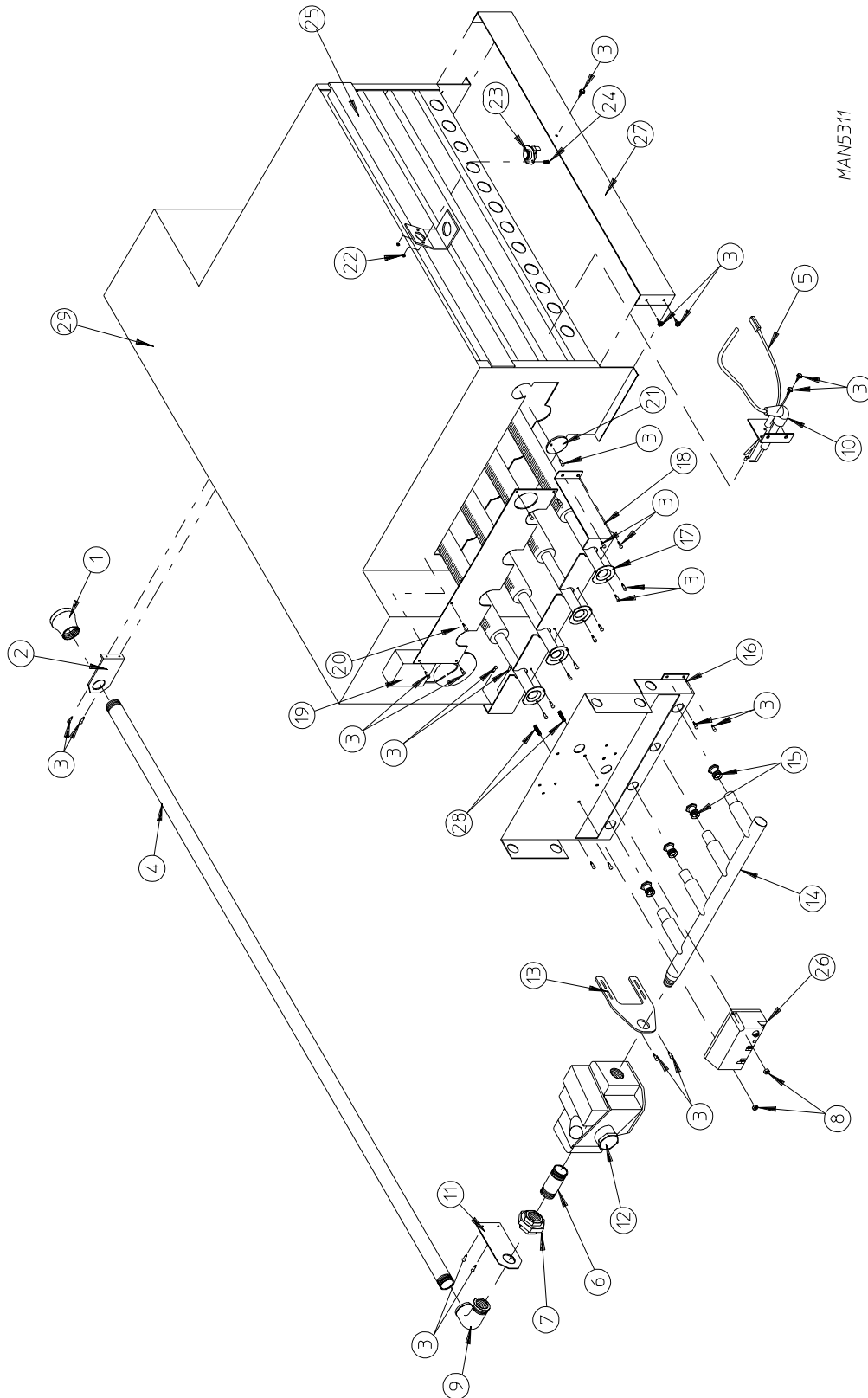
* Specify voltage when ordering.

** Replace in matched sets (both belts).



Illus. No.	Part No.	Qty.	Description
1	100612	1	1-1/4" Bore x 15" Diameter x 6" Blower/Fan (squirrel cage)
2	821078	1	Fan Shaft Mount Assembly Complete (includes illus. nos. 1 through 19)
	821073	1	Fan Shaft Mount ONLY
3	117604	4	Neoprene Sponge Tape (sold by the foot)
4	152006	2	1/2-20 Left Hand Jam Nut
5	153065	1	1/2" Flat Washer
6	882930	1	Fan Shaft Assembly (includes illus. nos. 6 through 12)
7	881061	1	1-3/8" Flange Bearing with Setscrews and Grease Fitting
8	153004	4	3/8" Flat Washer
9	153005	4	3/8" Lock Washer
10	152005	4	3/8-16 Hex Nut
11	100812	2	1-3/8" Retaining Ring
12	880879	1	1-3/8" Pillow Block Bearing ONLY
13	153004	2	3/8" Flat Washer
14	153005	2	3/8" Lock Washer
15	150617	2	3/8-16 x 1" Hex Head Bolt
16	101135	1	2B x 5.4 SDS Pulley (for gas models Only)
17*	100159	2	BX-61 Cogged Belt (fan shaft to blower motor) For 60 Hz Models ONLY
18	100706	1	5/16" x 5/16" x 1-3/8" Key
19	101194	1	SDS x 1-3/8" Bushing ONLY

* Replace in matched sets (both belts).



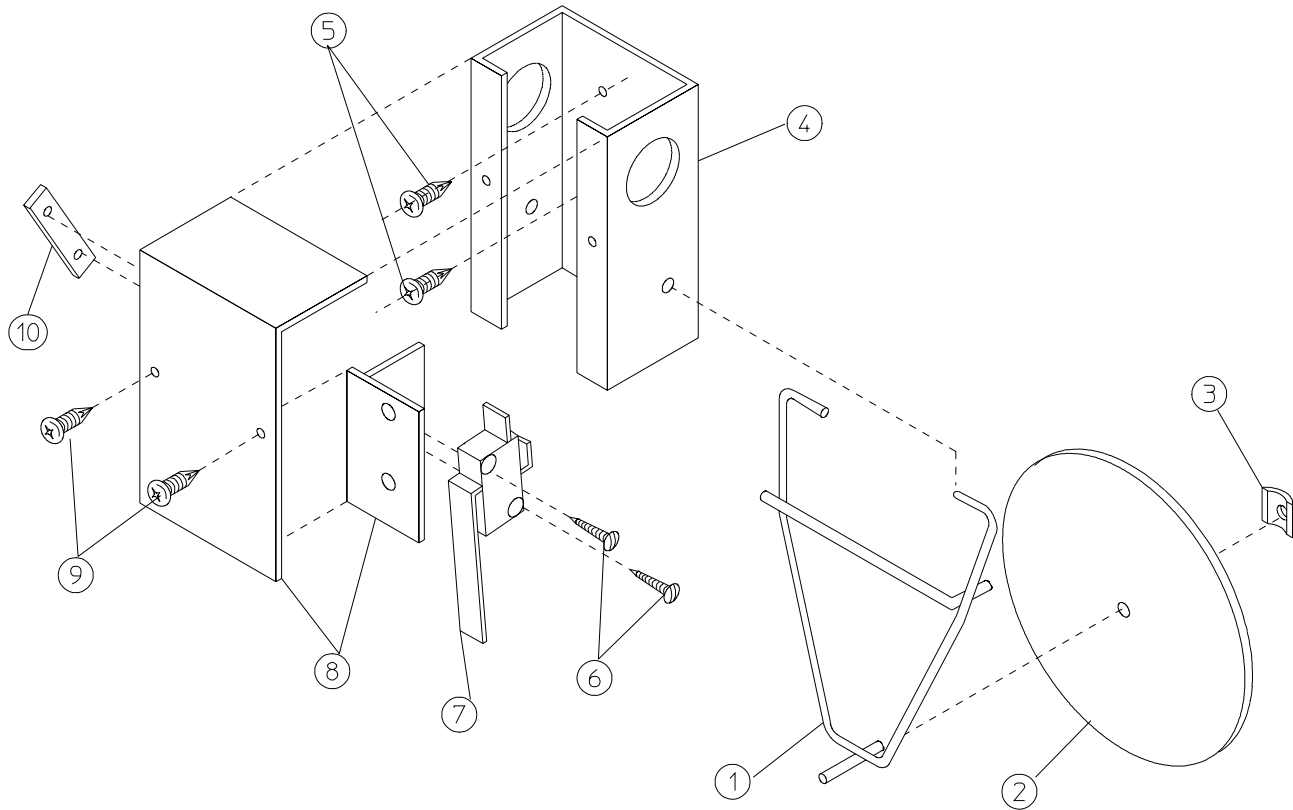
MAN5311

JCARRITA 05/25/00

<u>Illus. No.</u>	<u>Part No.</u>	<u>Qty.</u>	<u>Description</u>
1	142929	1	1-1/2" to 1" Reducing Coupling
2	332117	1	Pipe Bracket
3	150309	33	#10-16 x 1/2" Hex Head TEK Crimptite Screw
4	142583	1	1" x 40" Nipple
5	882537	1	Flame-Probe Wire
6	142808	1	1" x 3" Nipple
7	142602	1	1" Union
8	152013	2	#6-32 Hex Nut
9	142507	1	1" x 90° Street Elbow
10	882451	1	Direct Spark Ignition (DSI) Ignitor/Flame-Probe with High Voltage (HV) Wire
11	332487	1	Gas Pipe Bracket Straight Extended
12	140017	1	1" 24 VAC Redundant Gas Valve (natural gas)
	140018	1	Liquid Propane (L.P.) Conversion Kit For 1" Valve
13	319014	1	Adjustable Gas Pipe Bracket
14	141239	1	1" 4-Port Manifold with 2" Nipple
15*	140840	4	#1 Burner Orifice (natural gas Only)
	140821	4	#28 Burner Orifice (liquid propane [L.P.] Only)
	882222	1	Liquid Propane (L.P.) Conversion Kit
16	390169	1	Direct Spark Ignition (DSI) Mount Manifold Rest
17	141110	4	Burner Tube
18	332121	1	Burner Tube Support
19	802801	1	Sail Switch (refer to Sail Switch Assembly on page 22)
20	332113	1	Burner Box Cover Plate
21	331290	1	Ignitor/Flame-Probe Sight Hole Disc
22	151000	2	#6-32 Pal Nut
23	130201	1	330° Manual Reset Hi-Limit ONLY
24	150005	2	#6-32 x 1/4" Round Head Machine Screw
25	821457	1	Burner Hi-Limit Bracket
26	128935	1	Johnson Direct Spark Ignition (DSI) Module (3 tries)
27	332256	1	Large Dryer Liquid Propane (L.P.) Burner Baffle (liquid propane [L.P.] models Only)
28	153562	2	#6-32 x 3/4" Clinch Stud
29	819066**	1	Burner Assembly Complete (natural gas Only)
	819067**	1	Burner Assembly Complete (liquid propane [L.P.] gas Only)
	820904	1	Burner Box ONLY

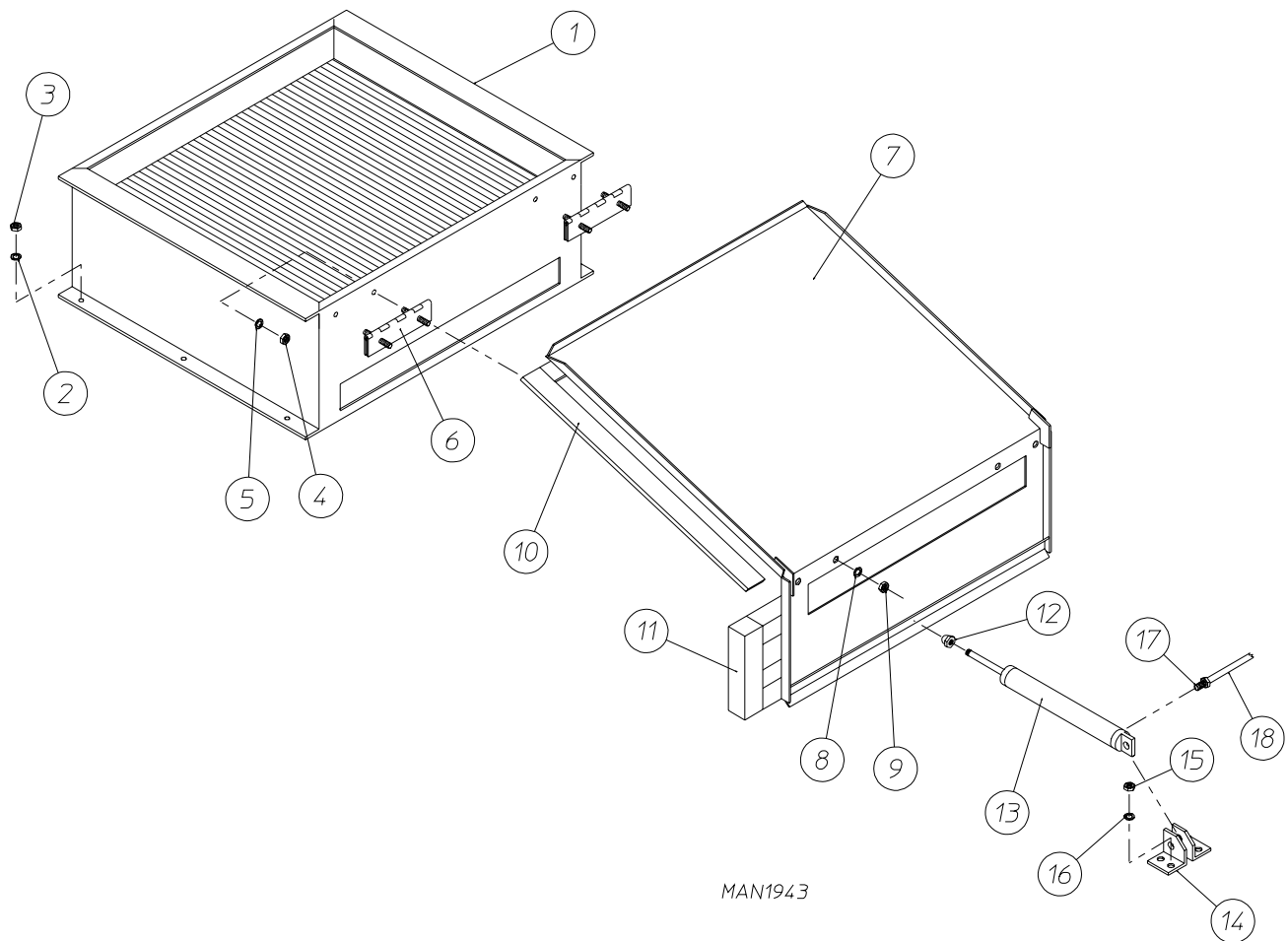
* Consult factory for elevations over 2,000 feet.

** Orifices *are not included* and **must be** ordered separately.

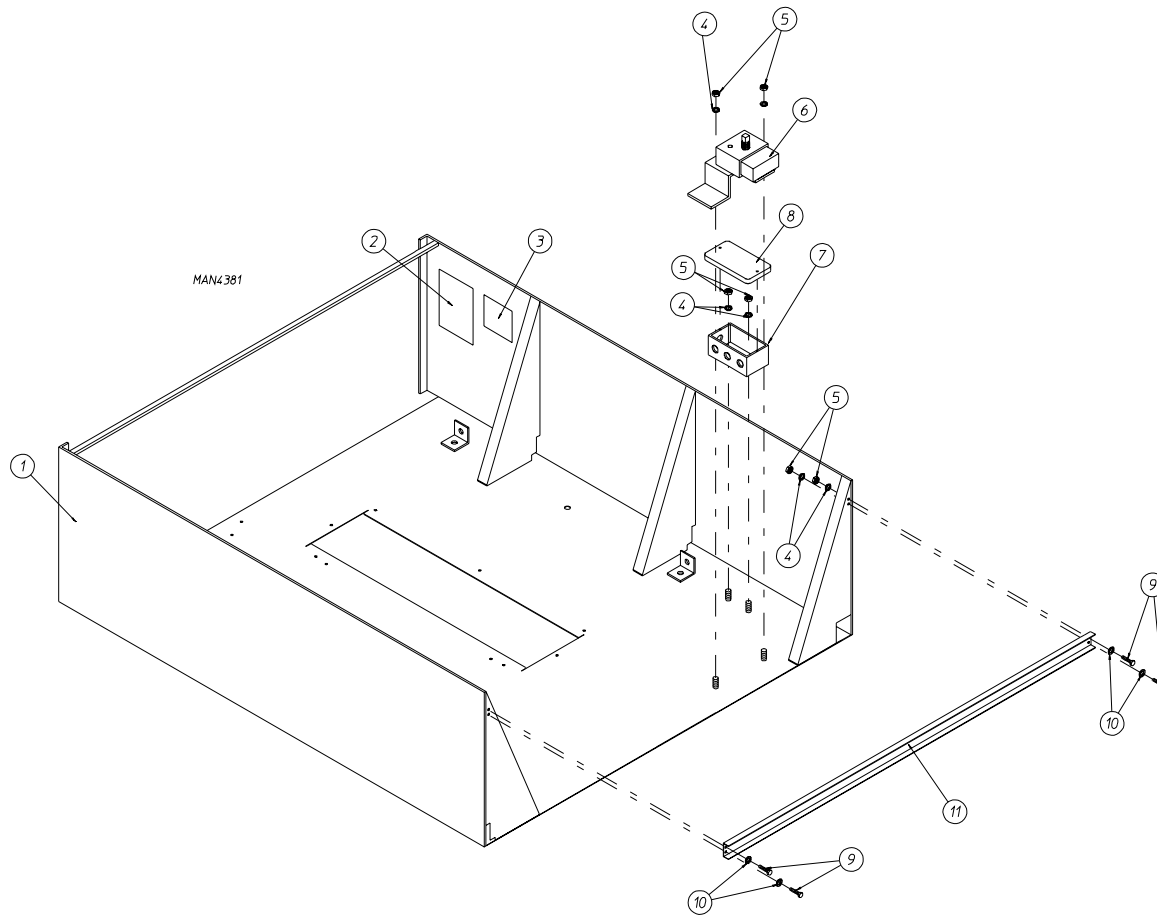


MAN0440

<u>Illus. No.</u>	<u>Part No.</u>	<u>Qty.</u>	<u>Description</u>
1	105500	1	Sail Switch Actuator Rod
2	319202	1	Sail Switch Damper (flat)
3	154002	1	1/8" Push On Fastener
4	802800	1	Sail Switch Box with Cover and Bracket ONLY
	802801	1	Sail Switch Box Assembly Complete (includes illus. nos. 1 through 4 and 6 through 10)
5	150300	2	#10-16 x 1/2" Hex Washer TEK PLTD
6	150303	2	#4 x 3/4" Pan Head "A" Machine Screw
7	122200	1	Sail Switch ONLY
8	802799	1	Sail Switch Box Cover and Bracket ONLY
9	150309	2	#10-16 x 1/2" Hex Head TEK Crimpite Screw
10	154004	1	Twin Speed Nut

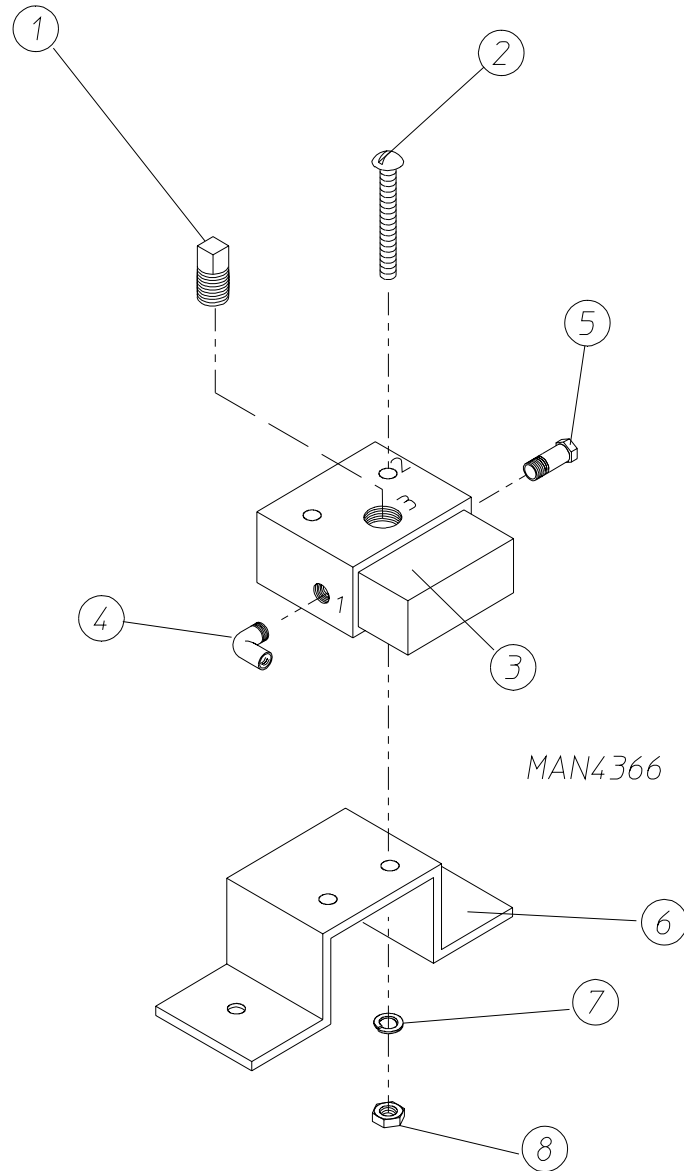


<u>Illus. No.</u>	<u>Part No.</u>	<u>Qty.</u>	<u>Description</u>
1	165017	1	Steam Coil ONLY
2	153002	6	5/16" Lock Washer
3	152004	6	5/16-18 Hex Nut
4	152002	4	1/4-20 Hex Nut
5	153007	4	1/4" Lock Washer
6	820321	2	Steam Damper Hinge Assembly
7	820994	1	Steam Damper Assembly (includes illus. nos. 7, 10, and 11)
8	153007	4	1/4" Lock Washer
9	152002	4	1/4-20 Hex Nut
10	115995	96	Steam Damper Gasket (sold by the inch)
11	102350	2	Steam Damper Foam (68-1/2" length)
12	151007	1	7/16-20 Stainless Steel Acorn Nut
13	100499	1	1-1/2" Bore x 3" Stroke Piston
14	100500	1	Piston Support Bracket
15	152002	4	1/4-20 Hex Nut
16	153007	4	1/4" Lock Washer
17	100472	1	1/4" x 1/8" Connector
18	143110	1	1/4" Tubing (sold by the foot)



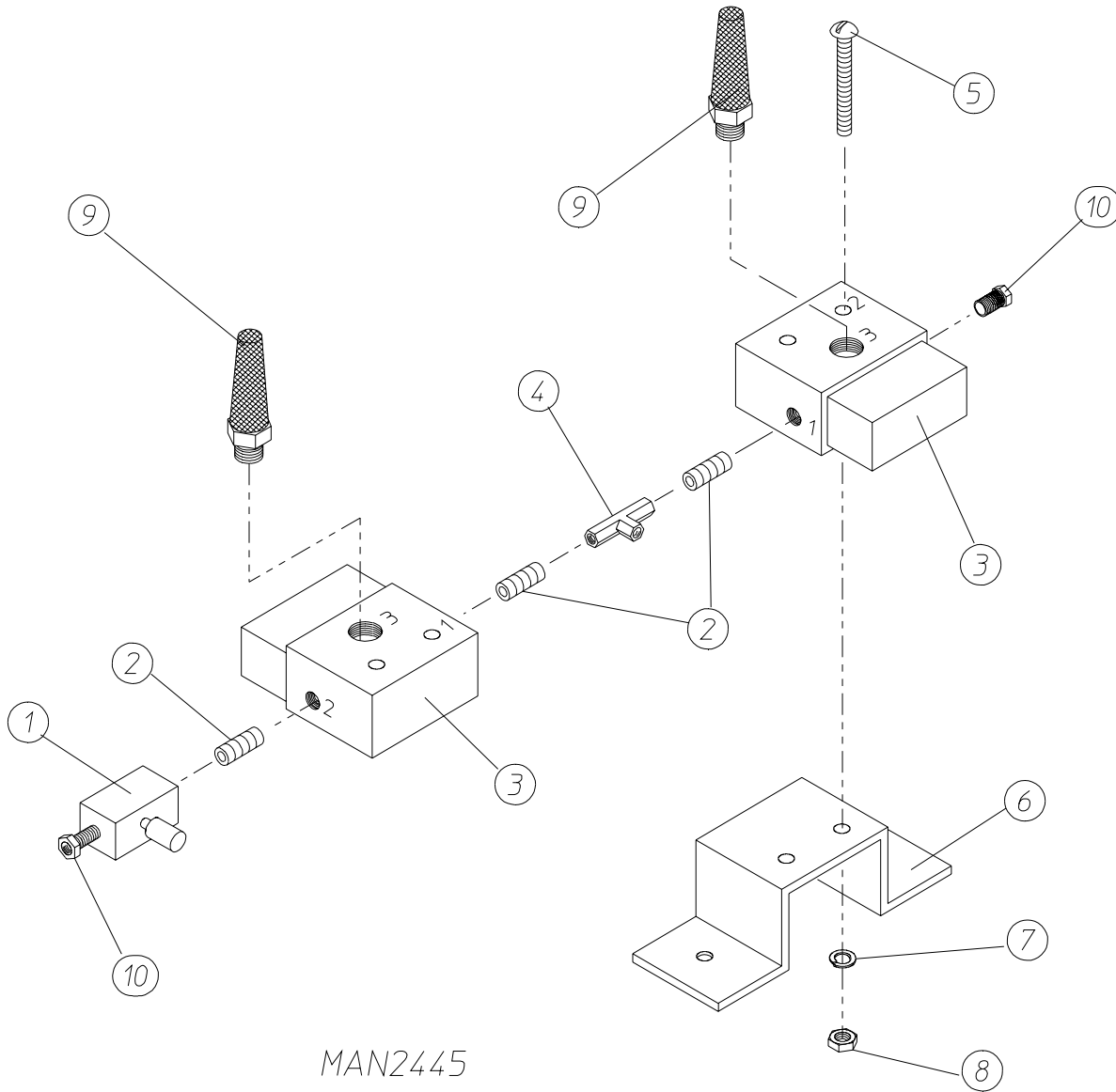
<u>Illus. No.</u>	<u>Part No.</u>	<u>Qty.</u>	<u>Description</u>
1	882447	1	Top Console Assembly ONLY (white) (for gas models Only)
	882448	1	Top Console Assembly ONLY (coral wrinkle blue) (for gas models Only)
	882445	1	Top Console Assembly ONLY (white) (for steam models Only)
	882446	1	Top Console Assembly ONLY (coral wrinkle blue) (for steam models Only)
2	114521	1	“Phase 7 OPL Program Location Summary” Label
3	-----	1	Dryer Data Label (not for resale by ADC)
4	153007	8	1/4” Lock Washer
5	152005	8	1/4-20 Hex Nut
6	821105	1	Pneumatic Valve Assembly ONLY (for gas models Only) Refer to Pneumatic Valve Assembly on page 25
	821104	1	Pneumatic Valve Assembly ONLY (for steam models Only) Refer to Pneumatic Valve Assembly on page 26
7	121104	1	2” x 4” Junction Box ONLY
8	121105	1	Junction Box Cover ONLY
9	150615	4	1/4-20 x 3/4” Bolt
10	153018	4	1/4” Flat Washer
11	332186	1	Control Door Hinge Channel

For Gas Models ONLY



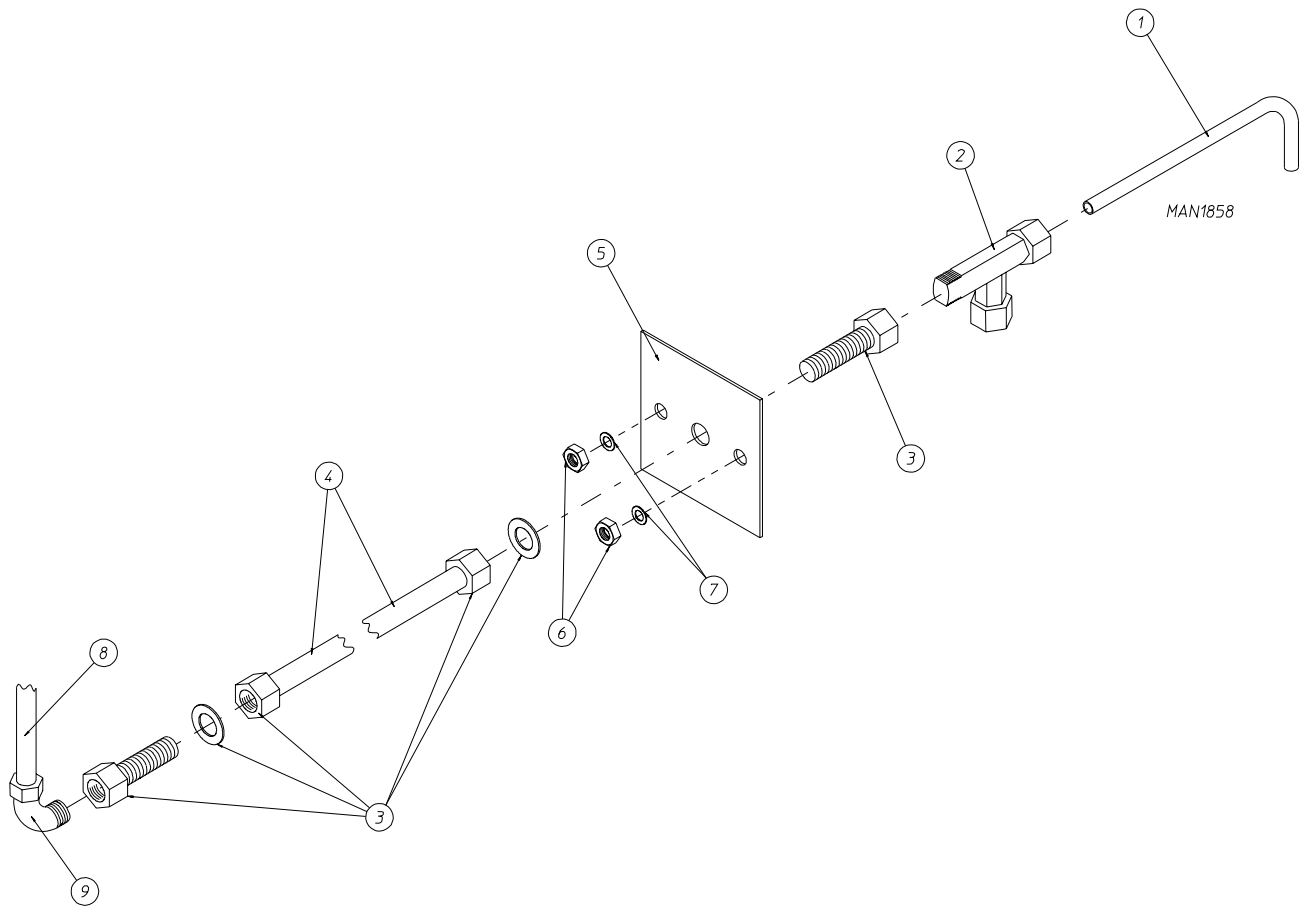
Illus. No.	Part No.	Qty.	Description
1	143250	1	1/8" M.P.T. Brass Plug
2	150002	1	#6-32 x 1" Slotted Machine Screw
3	100498	1	3-Way Micro Valve ONLY - 24 VAC
	821105	1	Pneumatic Valve Assembly Complete (includes illus. nos. 1 through 8)
4	143149	1	1/4" Poly x 1/8" M.P.T. Elbow
5	100472	1	1/4" x 1/8" Connector
6	330987	1	Micro Valve Support Bracket ONLY
7	153010	1	#6 Star Washer
8	152000	1	#6-32 Hex Nut

For Steam Models ONLY



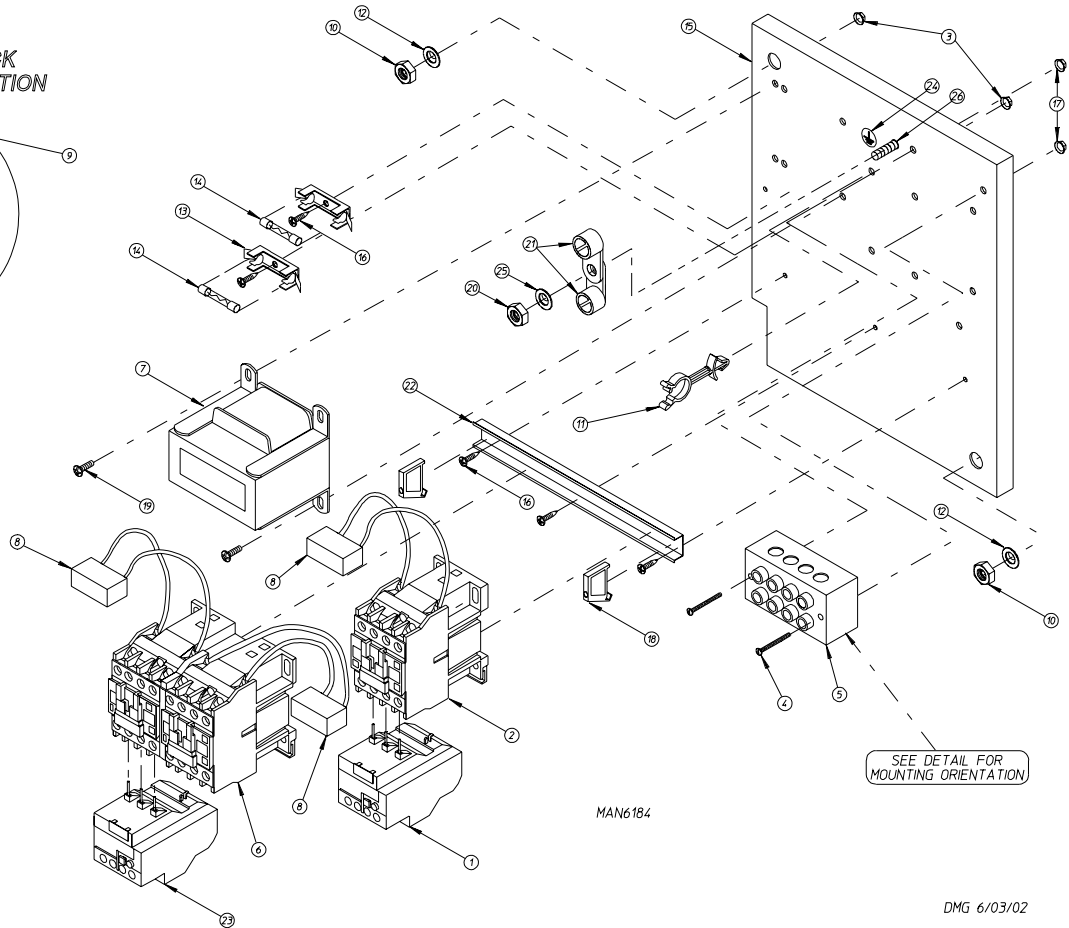
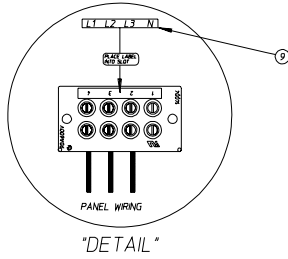
MAN2445

<u>Illus. No.</u>	<u>Part No.</u>	<u>Qty.</u>	<u>Description</u>
1	100496	1	1/8" Needle Valve
2	143238	3	1/8" Close Nipple
3	100498	2	3-Way Micro Valve ONLY - 24 VAC
	821104	1	Pneumatic Valve Assembly Complete (includes illus. nos. 1 through 10)
4	143223	1	1/8" F.P.T. Brass Tee
5	150002	2	#6-32 x 1" Slotted Machine Screw
6	330987	1	Micro Valve Support Bracket ONLY
7	153010	2	#6 Star Washer
8	152000	2	#6-32 Hex Nut
9	100520	2	1/8" N.P.T. Silencer (muffler)
10	100472	2	1/4" x 1/8" Connector



<u>Illus. No.</u>	<u>Part No.</u>	<u>Qty.</u>	<u>Description</u>
1	332700	1	Air Jet Tube ONLY
2	143287	1	1/4" x 1/8" M.P.T. Male Run Tee
3	143259	2	1/4" x 1/8" F.P.T. Bulkhead Fitting
4	143100	36	1/4" Aluminum Tube (sold by the inch)
5	821081	1	Air Jet Mounting Plate ONLY (includes illus. nos. 1 through 9)
	332531	1	Air Jet Mounting Plate ONLY
6	152002	2	1/4-20 Hex Nut
7	153007	2	1/4" Lock Washer
8	143110	5	1/4" Poly-Flo Tubing (sold by the foot)
9	143149	1	1/4" x 1/8" M.P.T. x 90° Elbow

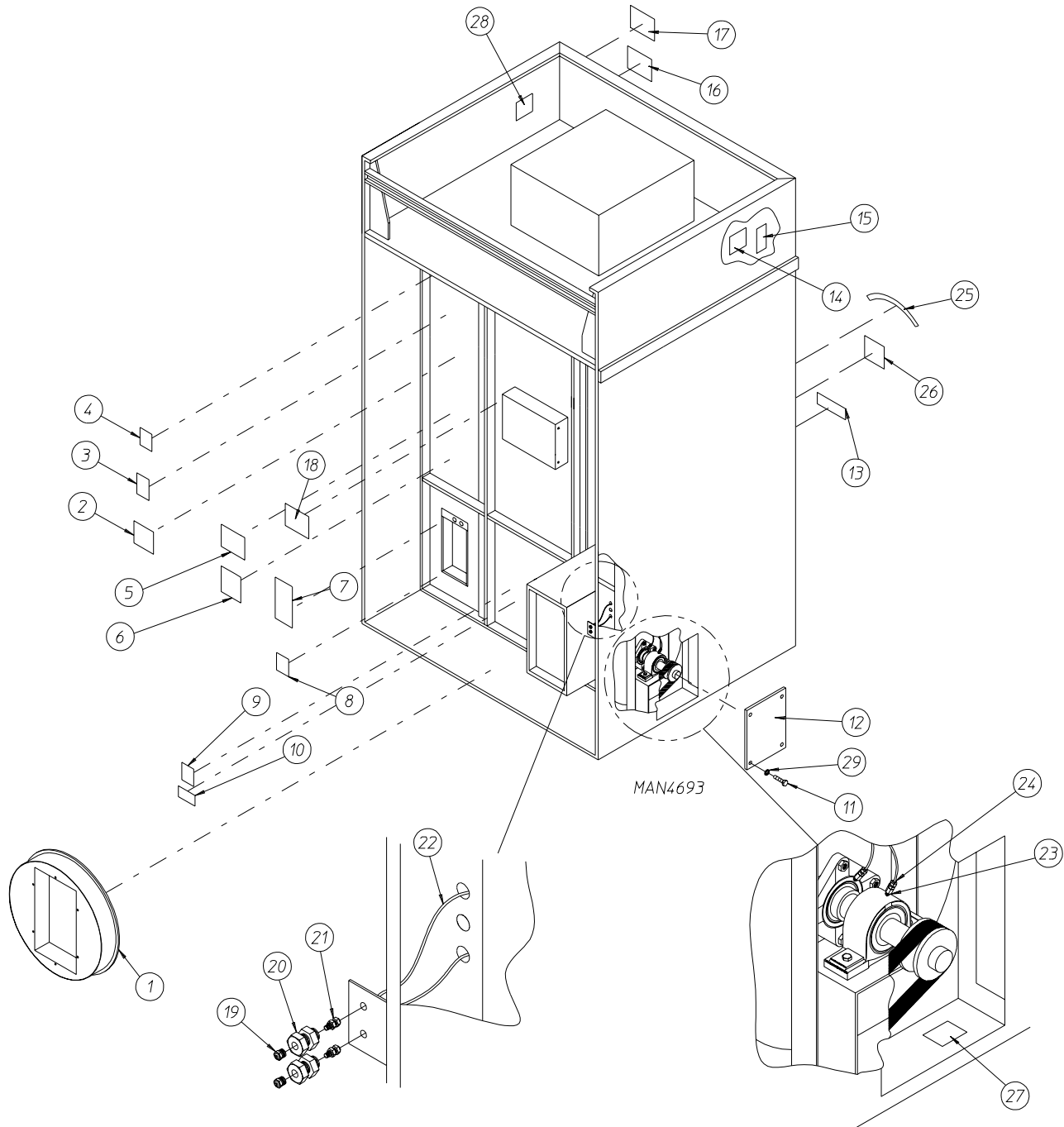
TERMINAL BLOCK
MOUNTING ORIENTATION



DMG 6/03/02

<u>Illus. No.</u>	<u>Part No.</u>	<u>Qty.</u>	<u>Description</u>
1	132439	1	17-25-Amp Blower (Impellor/Fan) Overload
2	132465	1	Reversing (Impellor/Blower/Fan) Contactor - 24 VAC
3	151001	2	#8-32 Pal Nut
4	150009	2	#6-32 x 1-1/2" Phillips Pan Head Machine Screw
5	120701	1	4-Position Terminal Block
6	132434	1	3 HP Reversing Contactor
7	822745	1	208-240 VAC Transformer Assembly
8	137015	3	Arc Suppressor
9	112068	1	3 ϕ Power Input Label
10	152004	2	5/16-18 Hex Nut
11	121502	1	1/2" Wire Standoff
12	153002	2	5/16" Lock Washer
13	136008	2	Fuse Block/Holder
14	136057	2	1/2-Amp (slo blo) Fuse
15	332346	1	Relay Panel
16	150301	5	#8-18 x 7/16" Phillips Pan Head TEK Screw
17	151000	2	#6-32 Pal Nut
18	120765	2	End Stop/Bracket
19	150108	2	#8-32 x 1/2" Phillips Pan Head Machine Screw
20	152002	1	1/4-20 Hex Nut
21	121010	2	L-70 Ground Lug
22	120768	7-3/4"	35 x 15mm Din Mounting Rail (sold by the inch)
23	132467	1	9-13-Amp Drive Motor Overload 208-240 Volt
24	112075	1	Ground Label
25	153021	1	1/4" Lock Washer
26	153525	1	1/4-20 x 1" Self Clinching Stud
*	822742	1	Relay Panel Wiring
*	825267	1	Drive/Blower Motor Contactor Wiring

* Not Illustrated.



<u>Illus. No.</u>	<u>Part No.</u>	<u>Qty.</u>	<u>Description</u>
1	821956	1	20" Round Duct Transition Piece Assembly
	821793	1	20" Round Duct Transition Piece with Damper Assembly
2	-----	1	Wiring Diagram For Machine
3	112046	1	"Computer Ground" Label
4	114005	1	" DANGER - Hot" Label
5	112519	1	"Routine Maintenance" Label
6	112295	1	"High Voltage" Label
7	114007	1	" DANGER - High Voltage" Label
8	112014	1	"High Voltage" Label
9	114008	1	" WARNING - Fumes" Label
10	114001	1	" CAUTION - Exhaust/Lint Screen" Label
11	150512	4	1/4-20 x 1/2" Hex Head Machine Bolt
12	332309	1	Side Access Panel
13	112280	1	"Clean Lint Screen" Label
14	112017	1	" ADC Name, Address, Telephone Number" Label
15	-----	1	Dryer Data Label (not for resale)
16	-----	1	Wiring Diagram (supplied with dryer)
17	114521	1	"Phase 7 Program Location" Label
18	114093	1	"Important Manual Reset Hi-Limit" Label
19	170511	2	1/8" M.P.T. Zirc (grease) Fitting
20	143164	2	1/8" F.P.T. Bulkhead Fitting
21	100472	2	1/4" Tube x 1/8" M.P.T. Male Connector
22	143115	4	1/4" Nylo-Seal Tube
23	100472	2	1/4" Tube x 1/8" M.P.T. Male Connector
24	143246	2	1/4-28 x 18" F.P.T. Fitting
25	114095	1	"Do Not Dry Mop Heads" Label
26	114006	1	" WARNING - Fire Hazard" Label
27	114077	1	"Grease Instruction" Label
28	114093	1	"Important Manual Reset Hi-Limit" Label
29	153007	4	1/4-20 Lock Washer

