



ML-130 Parts Manual 1997 thru 2000

American Dryer Corporation
88 Currant Road
Fall River, MA 02720-4781
Telephone: (508) 678-9000 / Fax: (508) 678-9447
e-mail: techsupport@amdry.com

Retain This Manual In A Safe Place For Future Reference

American Dryer Corporation products embody advanced concepts in engineering, design, and safety. If this product is properly maintained, it will provide many years of safe, efficient, and trouble-free operation.

ONLY qualified technicians should service this equipment.

OBSERVE ALL SAFETY PRECAUTIONS displayed on the equipment or specified in the installation/operator's manual included with the dryer.

The following "FOR YOUR SAFETY" caution **must be** posted near the dryer in a prominent location.

FOR YOUR SAFETY

Do not store or use gasoline or other flammable vapors or liquids in the vicinity of this or any other appliance.

POUR VOTRE SÉCURITÉ

Ne pas entreposer ni utiliser d'essence ni d'autres vapeurs ou liquides inflammables dans le voisinage de cet appareil ou de tout autre appareil.

We have tried to make this manual as complete as possible and hope you will find it useful. ADC reserves the right to make changes from time to time, without notice or obligation, in prices, specifications, colors, and material, and to change or discontinue models.

Important

For your convenience, log the following information:

DATE OF PURCHASE _____ MODEL NO. **ML-130** _____

DISTRIBUTORS NAME _____

Serial Number(s) _____

Replacement parts can be obtained from your distributor or the factory. When ordering replacement parts from the factory, you can FAX your order to the factory at (508) 678-9447 or telephone your orders directly to the Parts Department at (508) 678-9000. Please specify the dryer model and in addition to the model and serial number, so that your order is processed accurately and promptly.

The illustrations on the following pages may not depict your particular dryer exactly. The illustrations are a composite of the various dryer models. Be sure to check the descriptions of the parts thoroughly before ordering.

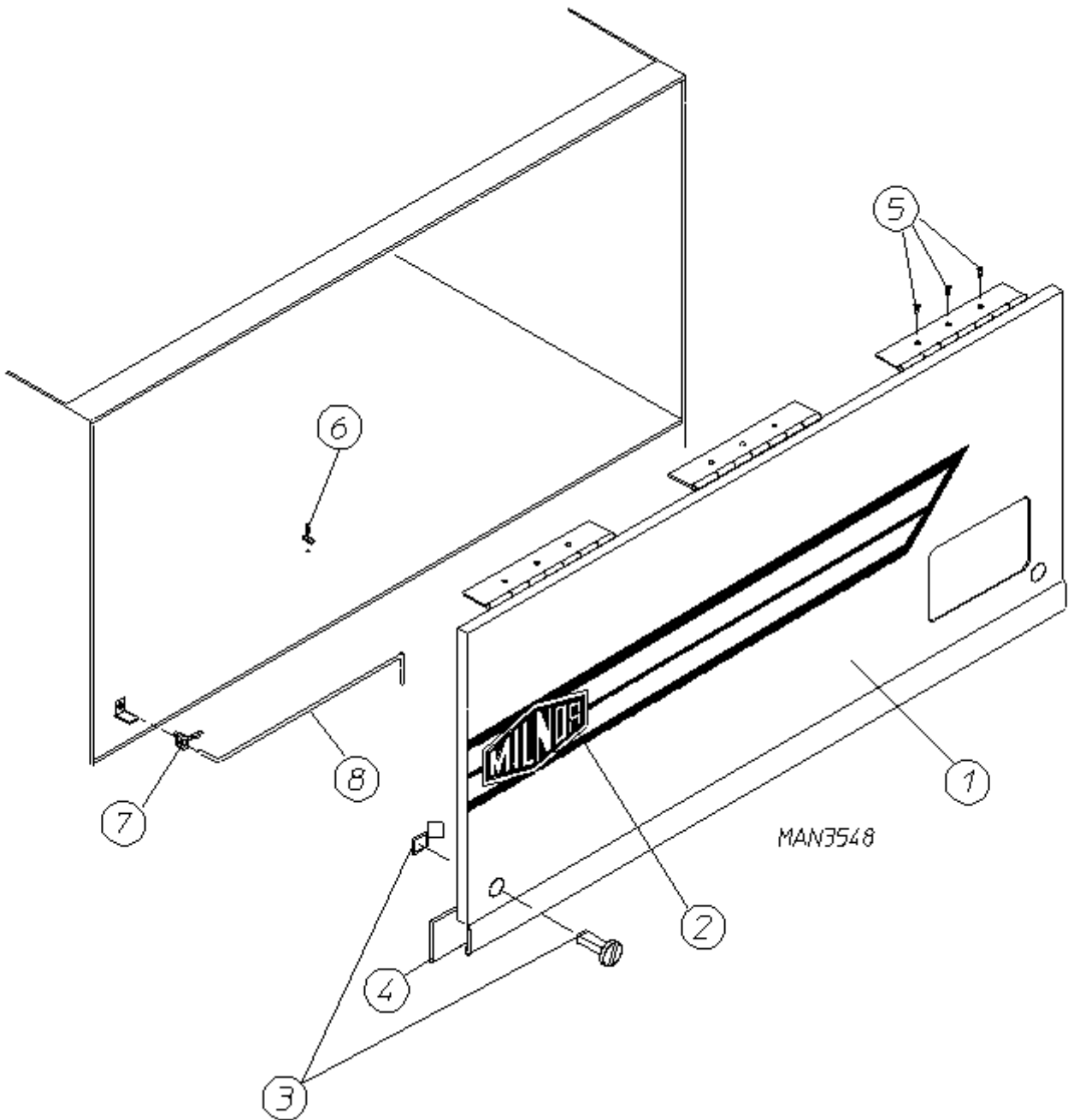
"IMPORTANT NOTE TO PURCHASER"

Information must be obtained from your local gas supplier on the instructions to be followed if the user smells gas. These instructions must be posted in a prominent location near the dryer.

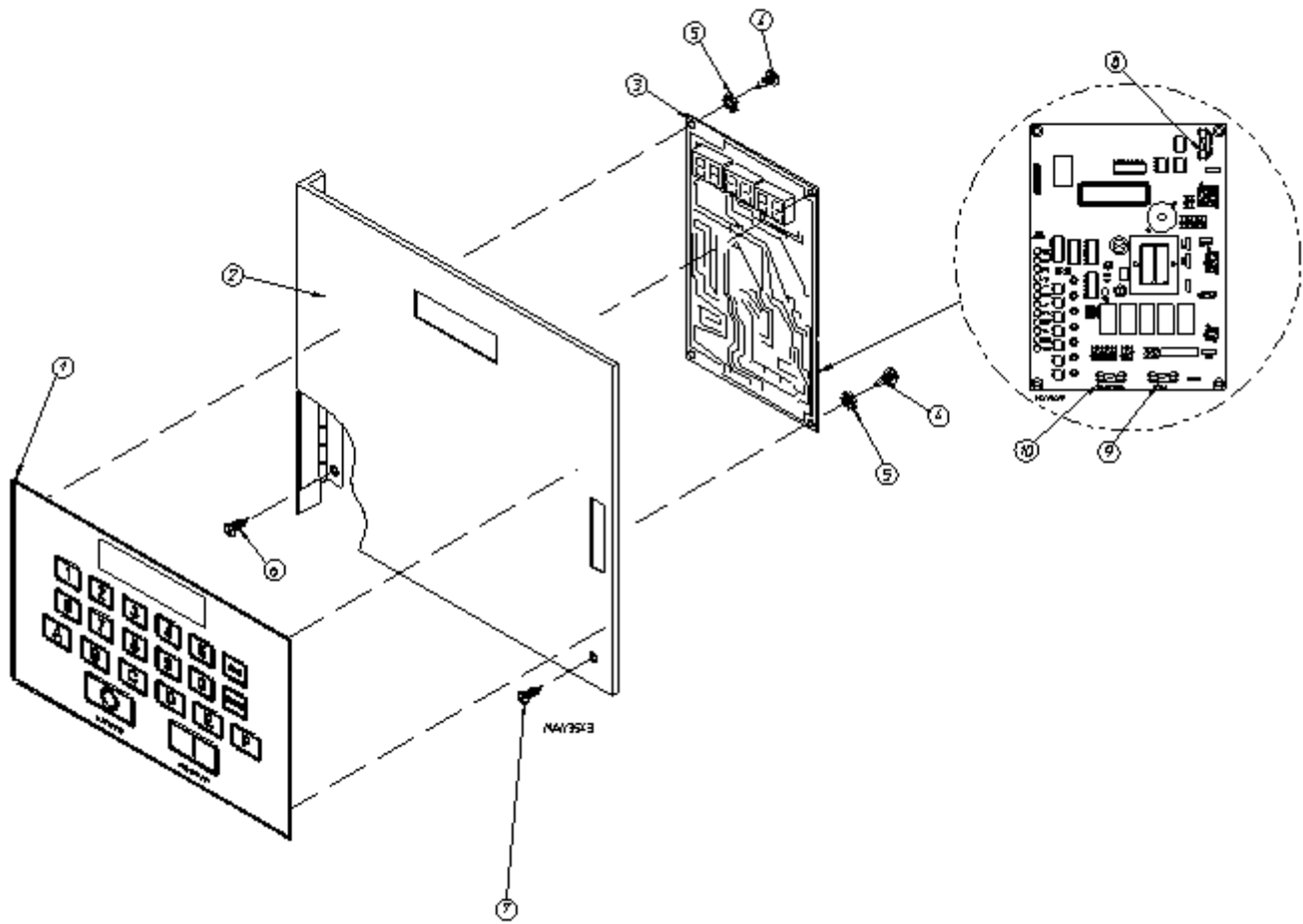
Table of Contents

Control Door Assembly	3
Microprocessor Control Panel Assembly	4, 5
Front Panel/Main Door Assemblies	
for models mfd. as of October 24, 1997	6, 7
Front Panel/Main Door Assemblies	
for models mfd. prior to October 24, 1997	8
Main Door Switch Assembly	
for models mfd. as of October 24, 1997	9
Main Door Switch Assembly	
for models mfd. as of October 24, 1997	10
Drop Lint Drawer Assembly	11
Lint Drawer/Lint Drawer Switch Box Assemblies	12
Temperature Sensor Bracket Assembly	13
Basket (Tumbler)/Support Assemblies	14, 15
Tumbler Bearing Mount Assembly	16, 17
Idler Bearing Mount Assembly	18, 19
Totally Enclosed, Fan-Cooled (T.E.F.C.) Basket/Tumbler Motor Mount Assembly	20, 21
Impellor/Fan Shaft Assembly	22, 23
Blower Motor Mount Assembly	
for Gas Models ONLY	24, 25
Blower Motor Mount Assembly	
for Electric Models ONLY	26, 27
Blower Motor Mount Assembly	
for Steam Models ONLY	28
Sail Switch Assembly	29
Hot Surface Ignition (HSI) Gas Burner Assembly	30, 31
Hot Surface Ignition (HSI) Liquid Propane (L.P.) Gas Burner Assembly	32, 33
Electric Oven Assembly	34, 35
Electric Oven Relay Box Assembly	
for 208-240 VAC - 3ϕ - 50/60 Hz Models ONLY	36
Electric Oven Relay Box Assembly	
for 380-416/480 VAC - 3ϕ - 50/60 Hz Models ONLY	37
Steam Damper Assembly	38, 39
Reversing Relay Panel Assembly	
for Gas and Steam Models ONLY	
for 208-230/240 Volt Models ONLY	40, 41
Reversing Relay Panel Assembly	
for Gas and Steam Models ONLY	
for 380/416 Volt Models ONLY	42, 43
Reversing Relay Panel Assembly	
for Gas and Steam Models ONLY	
for 460/480 Volt Models ONLY	44, 45

Reversing Relay Panel Assembly <i>for Electric Models ONLY</i>	46, 47
Back Guard Assemblies	48, 49
Electric Oven Component Application Listing	50
Electric Oven Power Distribution 72 Kw - 208-240 VAC - 3ϕ - 50/60 Hz	51
Electric Oven Power Distribution 72 Kw - 380-416/480 VAC - 3ϕ - 50/60 Hz	52
Electric Oven Power Distribution 80 Kw - 208-240 VAC - 3ϕ - 50/60 Hz	53
Electric Oven Power Distribution 80 Kw - 380-416/480 VAC - 3ϕ - 50/60 Hz	54
Electric Oven Wiring 72/80 Kw - 208-240 VAC - 3ϕ - 50/60 Hz	55
Electric Oven Power Distribution 72/80 Kw - 380-416/480 VAC - 3ϕ - 50/60 Hz	56
Additional Parts Available	57

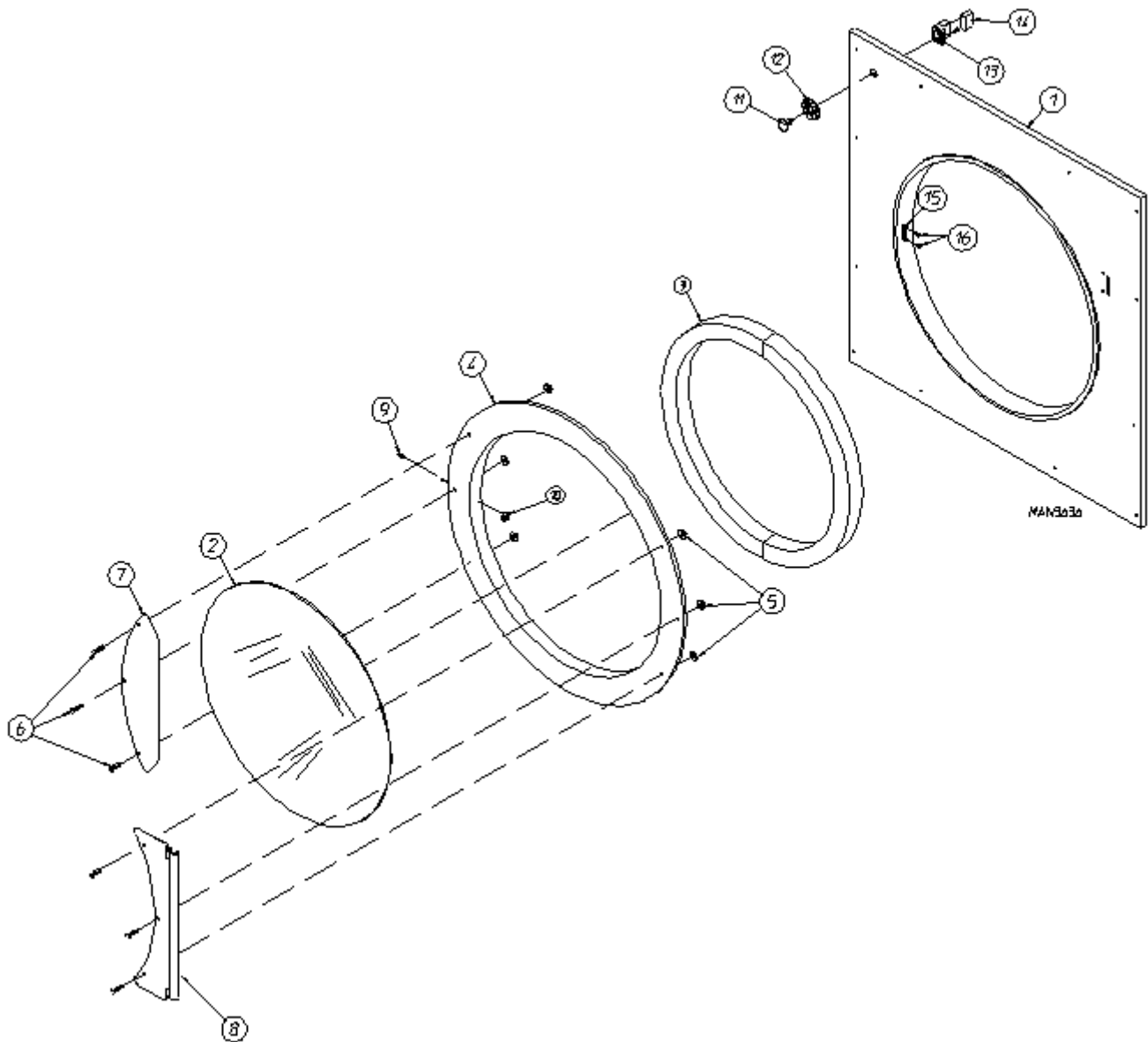


Illus. No.	Part No.	Qty.	Description
1	881893	1	White Control Door Assembly ONLY
	881894	1	Blue Control Door Assembly ONLY
2	112368	1	Logo/Label ONLY
3	160005	2	Spring Turn Latch (2-piece)
4	117603	5	Noise Suppressor Tape (sold by the foot)
5	150309	9	#10-16 x 1/2" Hex Head TEK Crimpite Screw
6	102600	1	Control Door Rod Catch
7	102601	1	Control Door Retainer Clip
8	102505	1	Control Door Support Rod



<u>Illus. No.</u>	<u>Part No.</u>	<u>Qty.</u>	<u>Description</u>
1	112537	1	Phase 6 OPL Keypad
	112276	1	OPL Stick-on Labels (English Only) ... Not Illustrated
	112275	1	OPL Stick-on Labels (Spanish, Italian, and Hebrew) ... Not Illustrated
	112277	1	3 Language OPL Stick-on Labels (English, Spanish, and Hebrew) ... Not Illustrated
	112278	1	5 Language OPL Stick-on Labels (Italian, Dutch, French, German, and Chinese) ... Not Illustrated
2	824481	1	Phase 6 Microprocessor (computer) Panel Assembly
3	137122	1	Phase 6 Reversing Microprocessor Controller (computer)
4	150005	2	#6-32 x 3/4" Phillips Round Head Machine Screw
5	153010	2	#6 Star Washer
6	150005	3	#6-32 x 3/4" Phillips Round Head Machine Screw
7	150005	1	#6-32 x 3/4" Phillips Round Head Machine Screw
8	136048	1	1/8-Amp Fuse
9	136017	1	3.15-Amp (Fast Acting) Fuse
10	136019	1	1-Amp (Fast Acting) Fuse

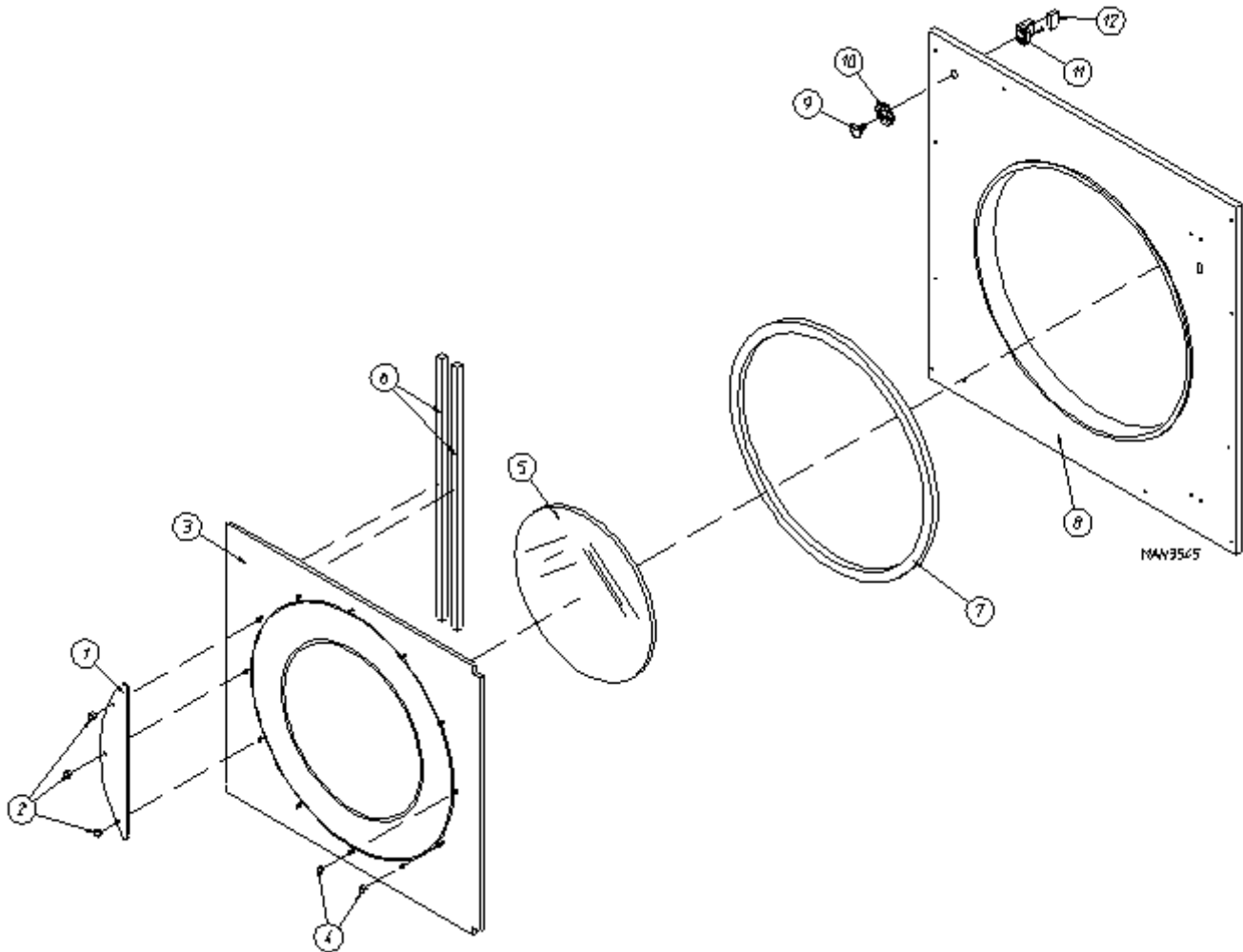
for models mfd. as of October 24, 1997



for models mfd. as of October 24, 1997

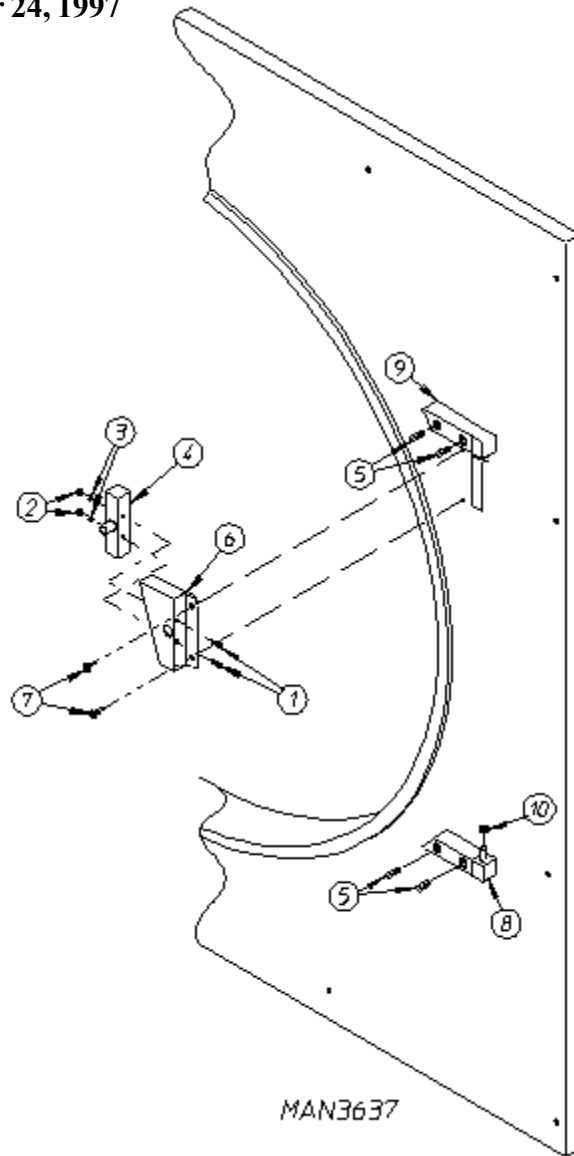
<u>Illus. No.</u>	<u>Part No.</u>	<u>Qty.</u>	<u>Description</u>
1	881897	1	White Front Panel Assembly (includes illus. nos. 1, 15, and 16)
	881898	1	Blue Front Panel Assembly (includes illus. nos. 1, 15, and 16)
2	102214	1	29-7/8" Door Glass
	170730	1	Door Glass Adhesive (10.3 oz. cartridge)
3	882411	9 ft	Main Door Gasket
4	881689	1	White Main Door Assembly Complete (includes illus. nos. 2 through 10)
	881761	1	Blue Main Door Assembly Complete (includes illus. nos. 2 through 10)
	881684	1	White Main Door Ring
	881756	1	Blue Main Door Ring
5	881806	6	1/4-20 Free Spin Wash Nut (White)
	881807	6	1/4-20 Free Spin Wash Nut (Blue)
6	881740	6	1/4-20 x 5/8" (White) Carriage Bolt
	881739	6	1/4-20 x 5/8" (Blue) Carriage Bolt
7	881688	1	White Main Door Handle
	881737	1	Blue Main Door Handle
8	881685	1	White Main Door Hinge
	881757	1	Blue Main Door Hinge
9	150120	1	Main Door Latch Screw (#10-32 Dome Hex Head Screw)
10	151010	1	#10-32 Acorn Nut
11	122351	1	"EMERGENCY STOP" Push-Pull Button
12	122419	1	"EMERGENCY STOP" Nameplate
13	132387	1	Normally Closed (N.C.) Contact Block
14	132395	1	Normally Closed (N.C.) Contact Block with Base
15	170330	1	Friction Door Latch
16	154215	2	5/32" Pop Rivet

for models mfd. prior to October 24, 1997



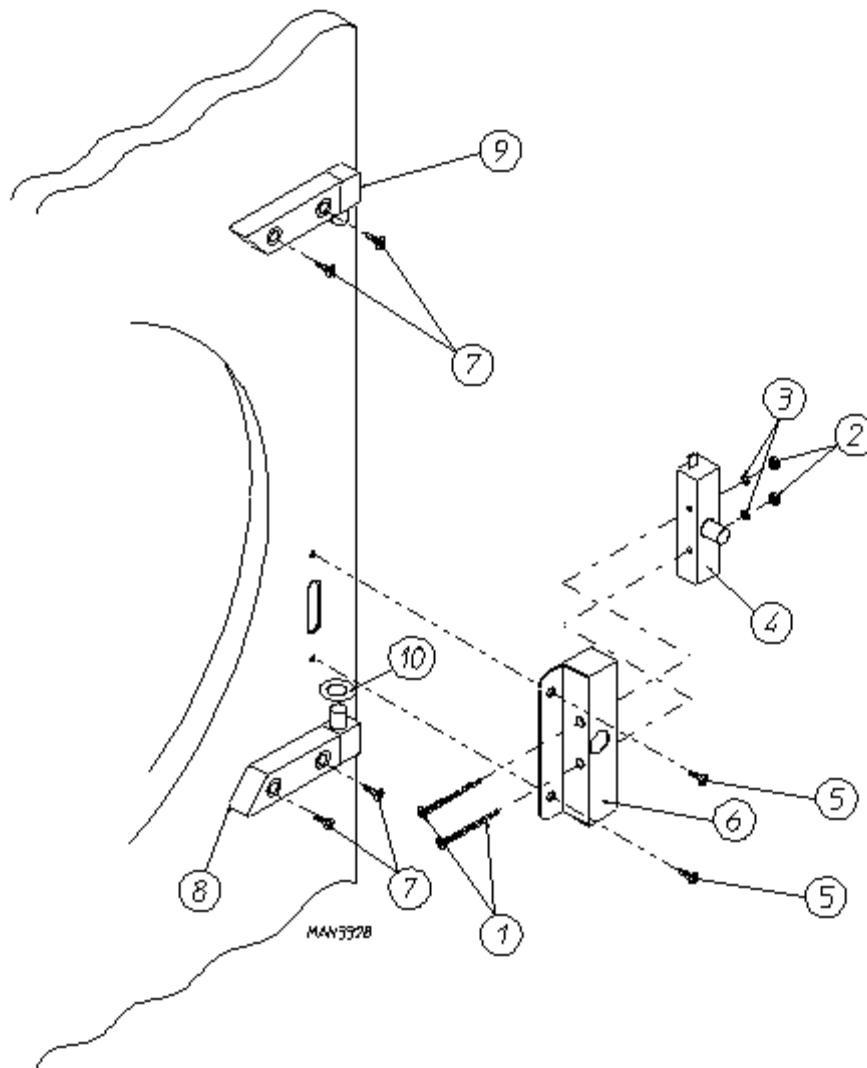
Illus. No.	Part No.	Qty.	Description
1	881741	1	White Main Door Handle
	881760	1	Blue Main Door Handle
2	151011	3	5/16-18 Acorn Nut
3	881818	1	White Front Panel/Main Door Assembly (includes illus. nos. 1 through 7)
	881552	1	White Main Door ONLY
	881823	1	Blue Front Panel/Main Door Assembly (includes illus. nos. 1 through 7)
	881550	1	Blue Main Door ONLY)
4	151011	9	5/16-18 Acorn Nut
5	102210	1	20-7/16" Door Glass
	170730	1	Door Glass Adhesive (10.3 oz. cartridge)
6	102112	2	Door Magnet (5/16" x 1/4" x 34-3/4")
7	102356	1	Main Door Gasket (13-1/6" x 1-3/8" x 97-1/2")
8	881901	1	White Front Panel ONLY for "EMERGENCY STOP"
	881902	1	Blue Front Panel ONLY for "EMERGENCY STOP"
9	122351	1	"EMERGENCY STOP" Push-Pull Button
10	122419	1	"EMERGENCY STOP" Nameplate
11	132387	1	Normally Closed (N.C.) Contact Block
12	132395	1	Normally Closed (N.C.) Contact Block with Base

for models mfd. as of October 24, 1997

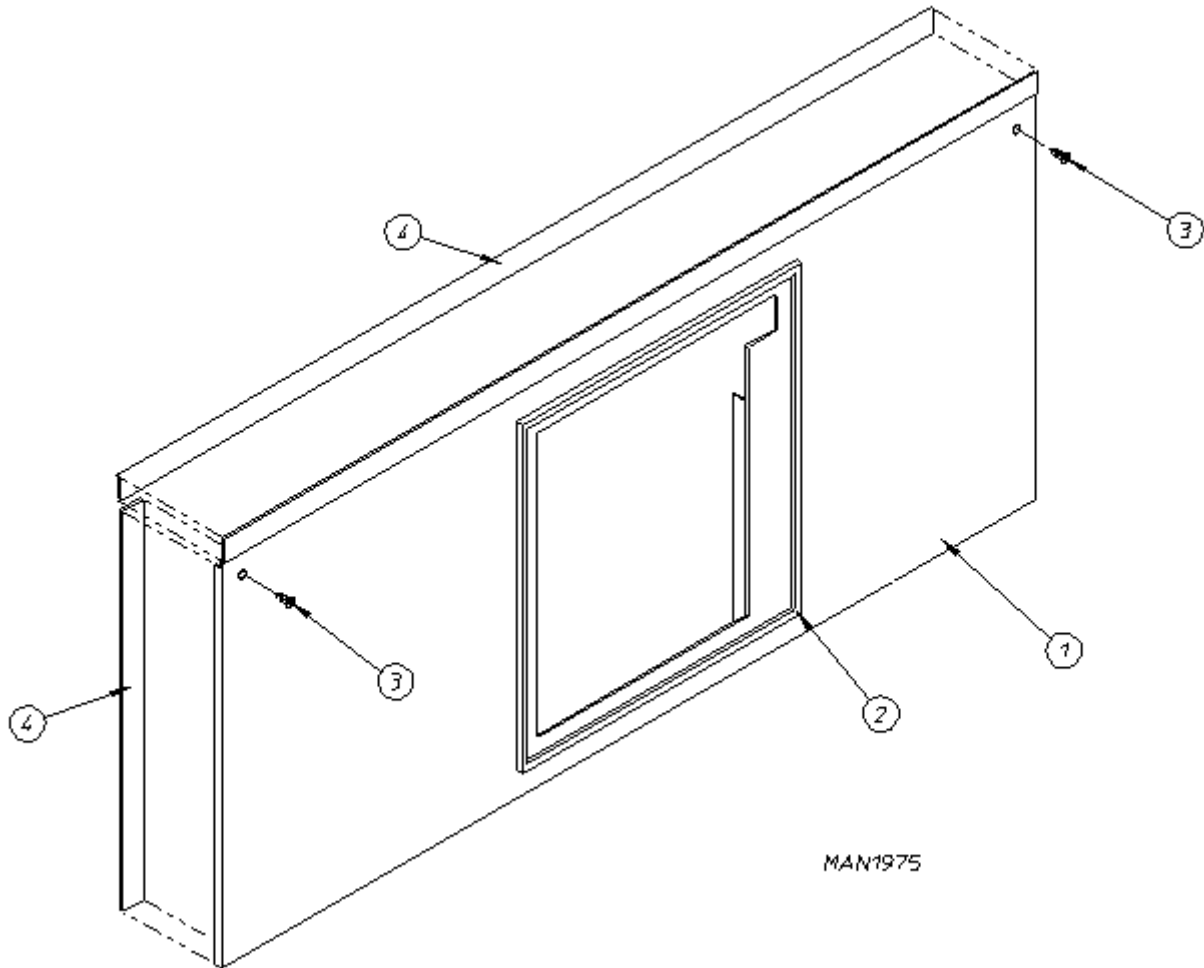


<u>Illus. No.</u>	<u>Part No.</u>	<u>Qty.</u>	<u>Description</u>
1	150006	2	#6-32 x 7/8" Phillips Pan Head Machine Screw
2	152013	2	#6-32 Hex Nut
3	153010	2	#6 Star Washer
4	137005	1	Single Pole Door Switch
5	150301	4	#8-18 x 7/16" Phillips Pan Head TEK Screw
6	881687	1	White Main Door Switch Housing ONLY
	881695	1	Blue Main Door Switch Housing ONLY
	881702	1	White Main Door Switch with Housing Assembly (includes illus. nos. 1 through 4 and 6)
	881700	1	Blue Main Door Switch with Housing Assembly (includes illus. nos. 1 through 4 and 6)
7	150301	2	#8-18 x 7/16" Phillips Pan Head TEK Screw
8	881441	1	White Bottom Hinge Block
	881735	1	Blue Bottom Hinge Block
9	881440	1	White Top Hinge Block
	881736	1	Blue Top Hinge Block
10	153031	1	Nylon Washer

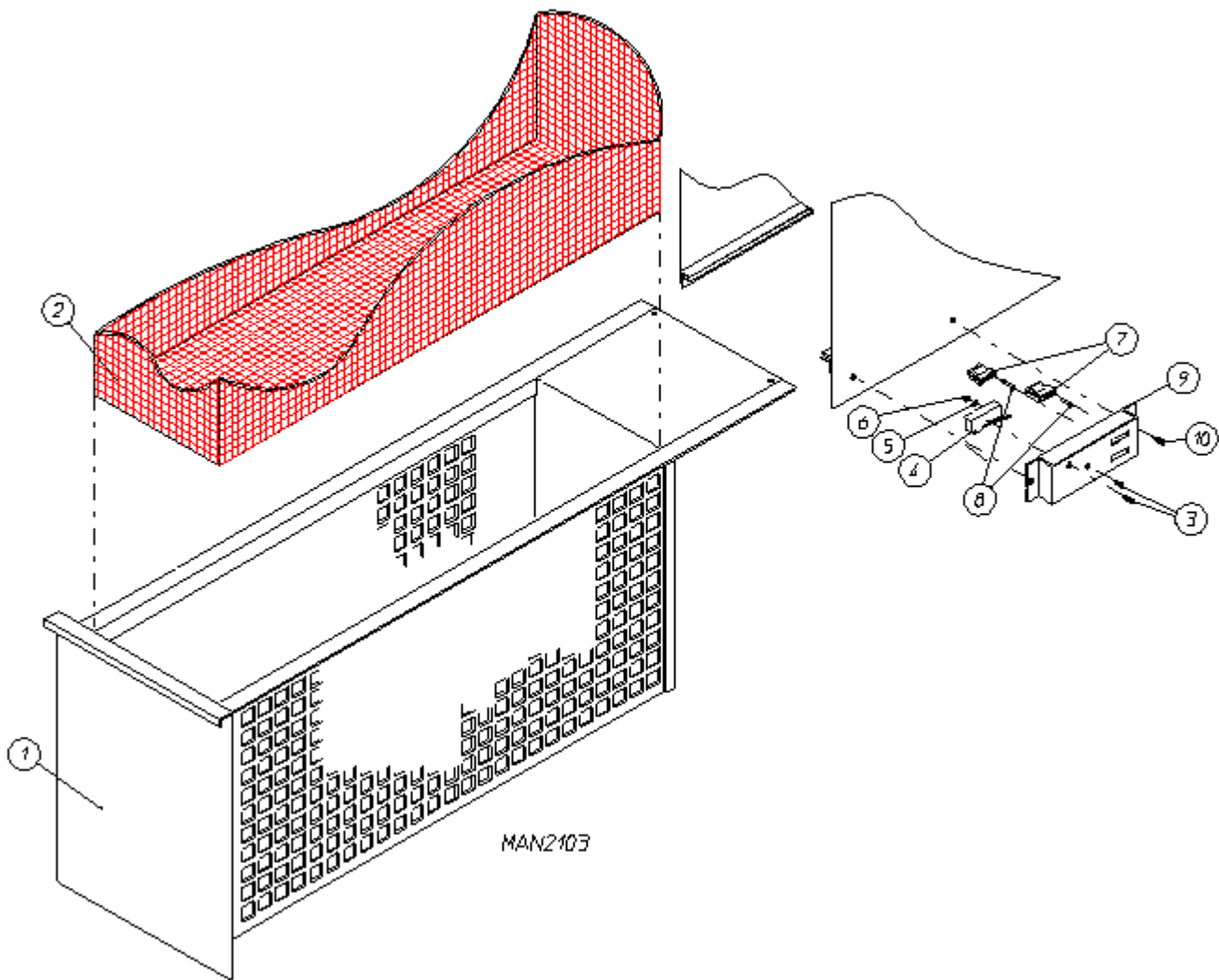
for models mfd. prior to October 24, 1997



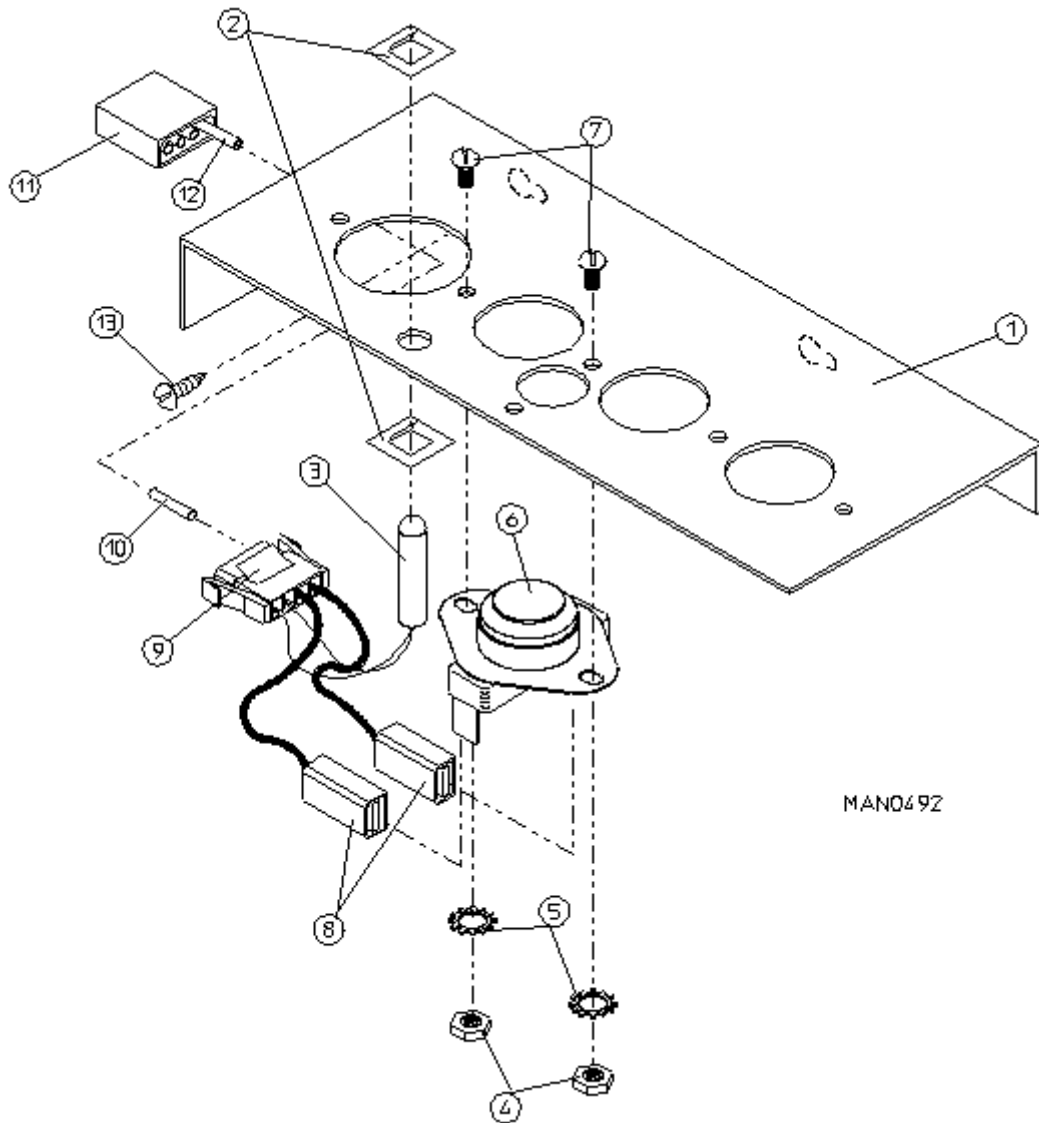
<u>Illus. No.</u>	<u>Part No.</u>	<u>Qty.</u>	<u>Description</u>
1	150006	2	#6-32 x 7/8" Phillips Pan Head Machine Screw
2	152013	2	#6-32 Hex Nut
3	153010	2	#6 Star Washer
4	137005	1	Single Pole Door Switch
5	150301	2	#8-18 x 7/16" Phillips Pan Head TEK Screw
6	881726	1	White Main Door Switch Housing ONLY
	881727	1	Blue Main Door Switch Housing ONLY
	881698	1	White Main Door Switch with Housing Assembly (includes illus. nos. 1 through 4 and 6)
	881699	1	Blue Main Door Switch with Housing Assembly (includes illus. nos. 1 through 4 and 6)
7	150301	4	#8-18 x 7/16" Phillips Pan Head TEK Screw
8	881441	1	White Bottom Hinge Block
	881735	1	Blue Bottom Hinge Block
9	881440	1	White Top Hinge Block
	881736	1	Blue Top Hinge Block
10	153031	1	Nylon Washer



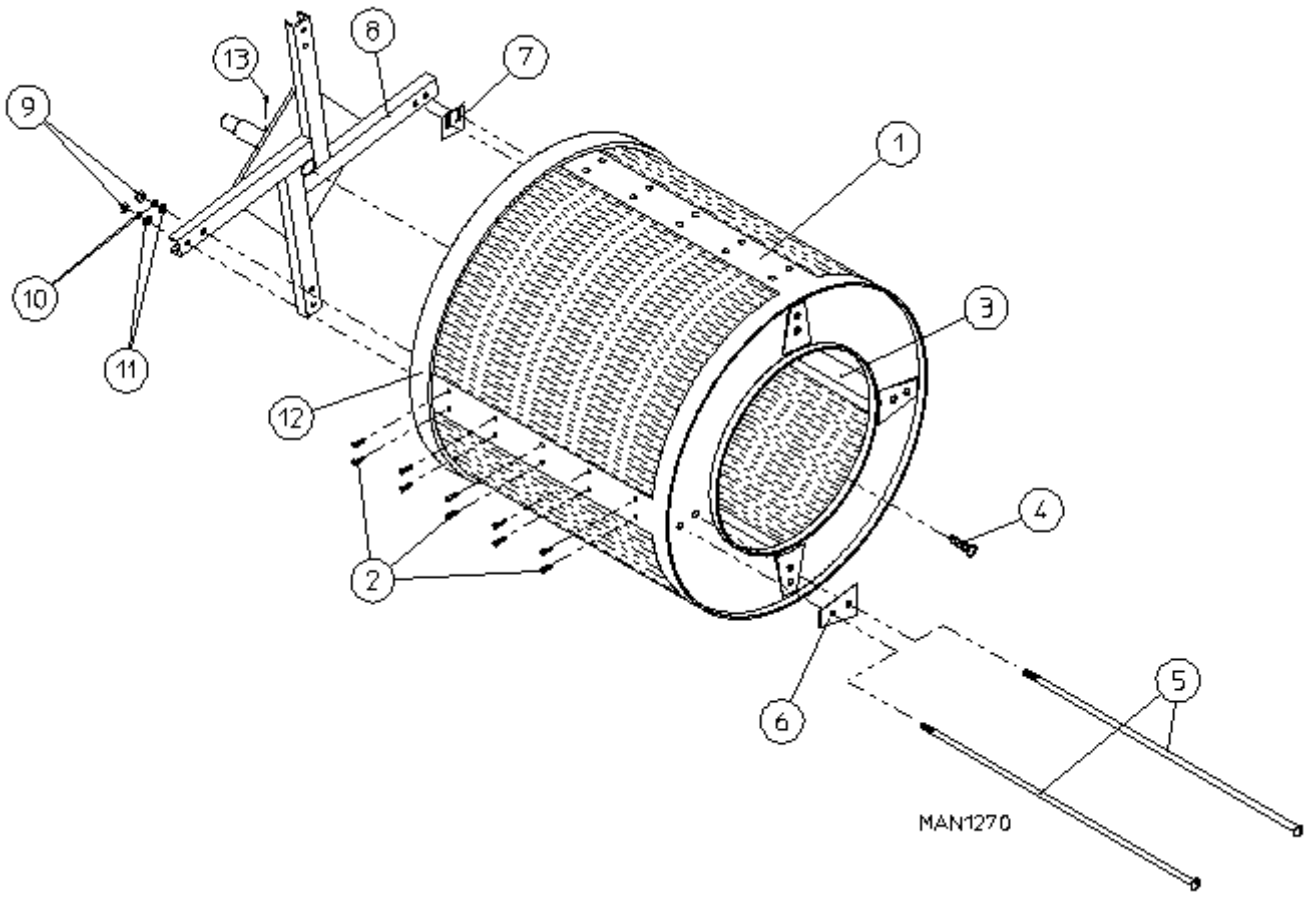
<u>Illus. No.</u>	<u>Part No.</u>	<u>Qty.</u>	<u>Description</u>
1	881895	1	White Drop Lint Drawer Assembly (includes illus. nos. 1, 2, and 4)
	881896	1	Blue Drop Lint Drawer Assembly (includes illus. nos. 1, 2, and 4)
2	117605	5	Neoprene Sponge Tape (sold by the foot)
3	150309	5	#10-16 x 1/2" Hex Head TEK Crimptite Screw
4	117604	8	Neoprene Sponge Tape (sold by the foot)



Illus. No.	Part No.	Qty.	Description
1	881899	1	White Lint Drawer Assembly with Safety Switch Actuator
	881900	1	Blue Drawer Assembly with Safety Switch Actuator
2	820017	1	Lint Screen Assembly ONLY
3	153562	2	#6-32 x 3/4" Clinch Stud
4	136992	1	Lint Drawer Switch ONLY
5	153010	2	#6 Star Washer
6	152000	2	#6-32 Hex Nut
7	122605	2	4-Pin Socket Connector ONLY
8	122701	4	Socket Terminal ONLY
	122801	1	Pin/Extraction Tool
9	821119	1	Lint Drawer Switch Assembly Complete (includes illus. nos. 3 and 9)
	821116	1	Lint Drawer Switch Mounting Bracket Assembly ONLY
10	150309	2	#10-16 x 1/2" Hex Head TEK Crimpite Screw



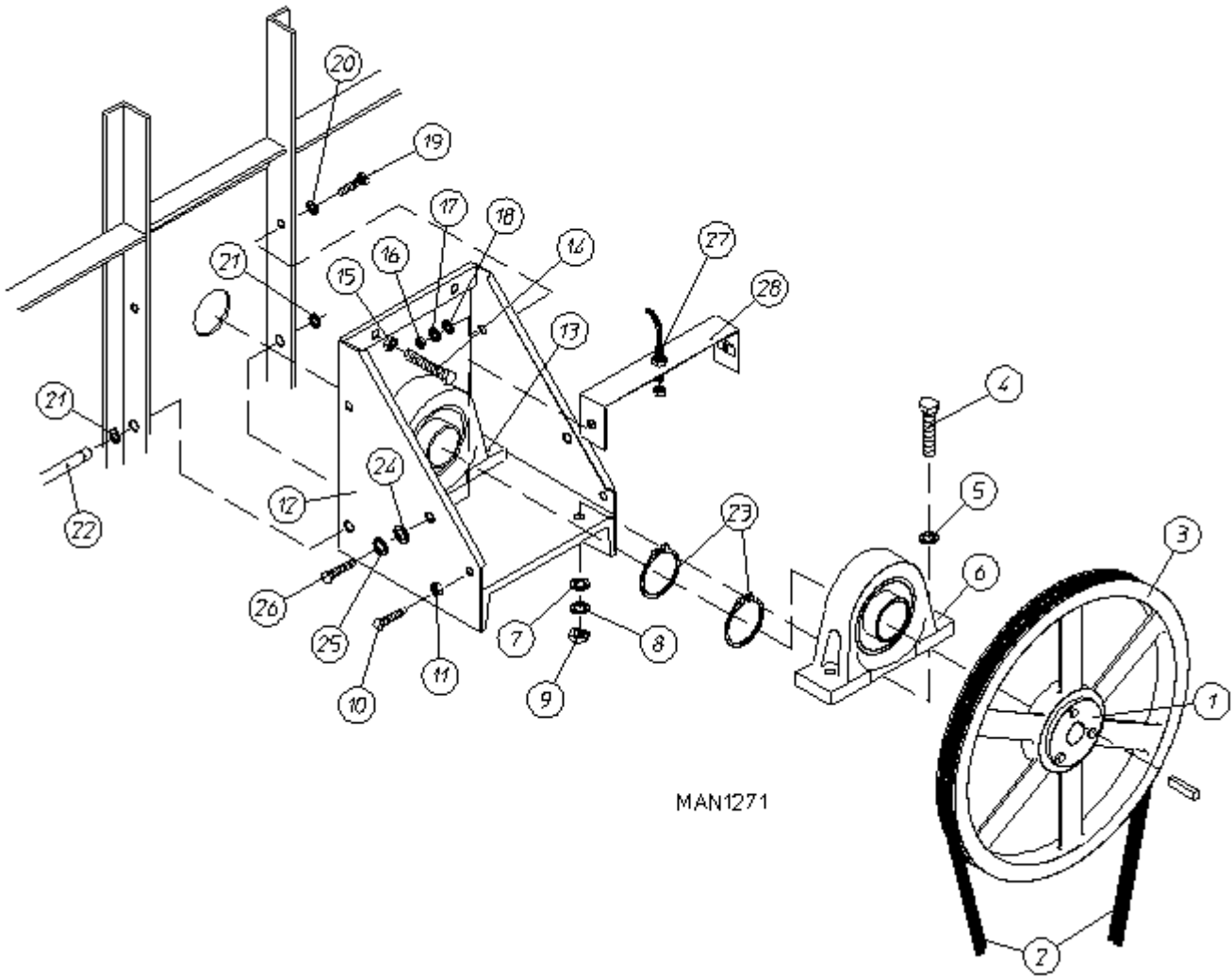
<u>Illus. No.</u>	<u>Part No.</u>	<u>Qty.</u>	<u>Description</u>
1	820022	1	Temperature Sensor Bracket Assembly Complete (includes illus. nos. 1 through 10)
	331295	1	Temperature Sensor Bracket ONLY
2	154007	2	1/4" Tinnerman Push-on Fastener
3	880251	1	1/4" Temperature Sensor Probe Assembly (includes illus. nos. 2, 3, 8, 9, and 10)
4	152000	2	#6-32 Hex Nut
5	153010	2	#6 Star Washer
6	130112	1	225° Large Automatic Reset Thermostat ONLY
7	150000	2	#6-32 x 1/4" Round Head Machine Screw
8	121028	2	Insulated Terminal
9	122605	1	4-Pin Socket Connector ONLY
10	122701	4	Socket Terminal ONLY
11	122604	1	4-Pin Connector ONLY
12	122700	4	Pin Terminal ONLY
	122801	1	Pin/Socket Extraction Tool
13	150301	2	#8-18 x 7/16" Phillips Pan Head Screw



<u>Illus. No.</u>	<u>Part No.</u>	<u>Qty.</u>	<u>Description</u>
1	820110*	1	Basket (Tumbler) ONLY without Felt Collar
	820052	1	Basket (Tumbler) and Support Assembly Complete with Rotational Sensor Option (includes illus. nos. 1 through 12)
	820029	1	Stainless Steel Basket and Support Assembly Complete (includes illus. nos. 1 through 12)
2	150309	40	#10-16 x 1/2" Hex Head TEK Crimptite Screw
3	331105	4	Basket (Tumbler) Rib ONLY
4	150500	1	5/16-18 x 3/4" Socket Button Head Screw
5	100910	8	1/2-13 x 44" Tie Rod
6	301700	4	Basket (Tumbler) Reinforcing Plate ONLY
7	301701	**	Basket (Tumbler) Shim ONLY
8	820116	1	Basket (Tumbler) Support ONLY with Rotational Sensor Option
9	152011	8	1/2-13 Hex Nut
10	153026	8	1/2" Lock Washer
11	153011	8	9/16" Flat Washer
12	116006	1	Felt Collar ONLY
	401010	1	#847 Adhesive for Felt Collar (5 oz. tube)
13	821002	1	Rotational Magnet Holder Assembly

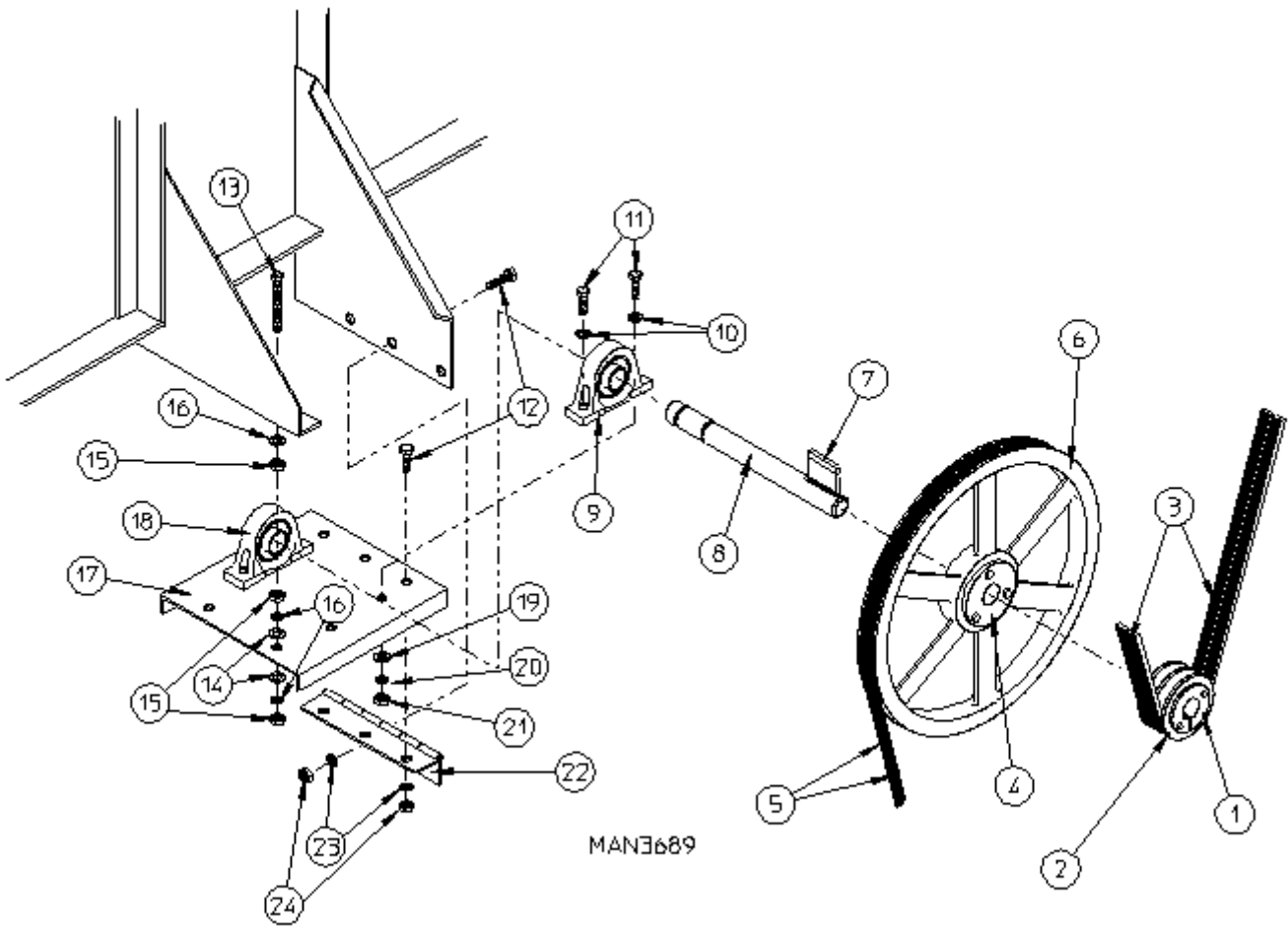
* Felt collar *is not included* and **must be** ordered separately.

** As required



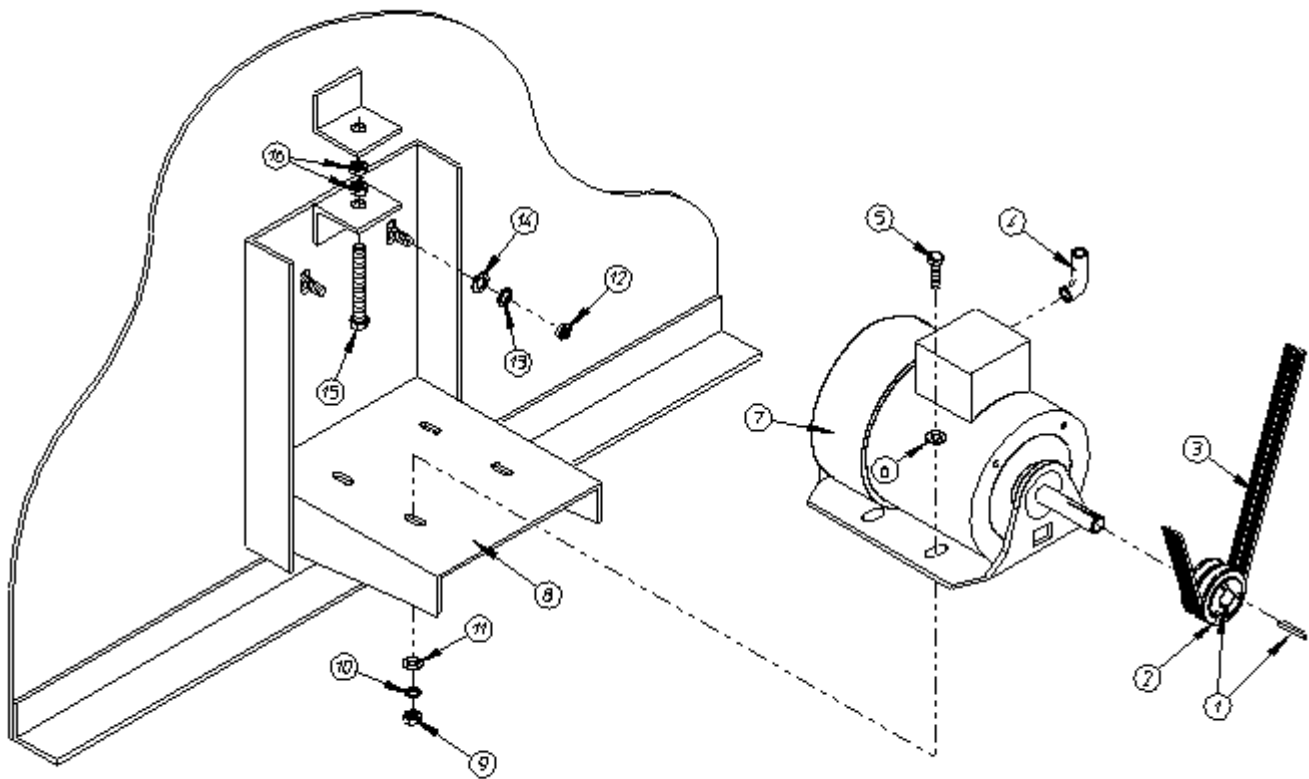
<u>Illus. No.</u>	<u>Part No.</u>	<u>Qty.</u>	<u>Description</u>
1	101137	1	2-1/4" SFX Bushing
2*	100135	2	AP-74 V-Belt
3	101136	1	2B x 20" Basket (Tumbler) Pulley
4	150602	4	5/8-11 x 3" Hex Head Machine Bolt
5	153016	4	5/8" Flat Washer
6	880204	1	2-1/4" Pillow Block Bearing ONLY
7	153016	4	5/8" Flat Washer
8	153015	4	5/8" Lock Washer
9	152010	4	5/8-11 Hex Nut
10	150600	2	3/8-16 x 1-1/2" Hex Head Machine Bolt
11	152005	2	3/8-16 Hex Nut
12	801102	1	Tumbler Bearing Mount Assembly (includes illus. nos. 4 through 13)
13	880204	1	2-1/4" Pillow Block Bearing ONLY
14	150604	2	1/4-20 x 3" Tap Bolt
15	152012	2	1/4-20 Hex Nut
16	152005	2	3/8-16 Hex Nut
17	153005	2	3/8" Lock Washer
18	153004	4	3/8" Flat Washer
19	150600	2	3/8-16 x 1-1/2" Hex Head Machine Bolt
20	153004	2	3/8" Flat Washer
21	100801	2	5/8" Retaining Ring
22	301810	1	5/8" Hinge Pin
23	100811	2	2-1/4" Retaining Ring
24	153018	2	1/4" Flat Washer
25	153007	2	1/4" Lock Washer
26	150512	2	1/4-20 x 1/2" Hex Head Machine Bolt
27	824807	1	Rotational Sensor Assembly
28	820098	1	Rotational Sensor Mounting Bracket

* Replace in matched sets (both belts).



<u>Illus. No.</u>	<u>Part No.</u>	<u>Qty.</u>	<u>Description</u>
1	101110	1	1" Bushing
2	101113	1	2A x 3.0 Pulley
3*	100135	2	AP-74 V-Belt
4	101107	1	1" SK Bushing
5*	100170	2	3V-710 Cogged Belt
6	101112	1	19" Idler Pulley
7	100715	1	1/4" x 1/4" x 4 5/8" Key
8	301852	1	1" Idler Shaft ONLY
9	880205	1	1" Pillow Block Bearing ONLY
10	153004	4	3/8" Flat Washer
11	150600	4	3/8-16 x 1 1/2" Hex Head Machine Bolt
12	150512	6	1/4-20 x 1/2" Hex Head Machine Bolt
13	150509	2	5/16-18 x 3" Hex head Machine Bolt
14	153001	4	5/16" Flat Washer
15	152004	6	5/16" Hex Nut
16	153002	8	5/16" Lock Washer
17	801001	1	Idler Bearing Mount Assembly Complete (includes illus. nos. 8 through 11 and 17 through 25)
	311401	1	Idler Bearing Mount ONLY
18	880205	1	1" Pillow Block Bearing ONLY
19	153004	4	3/8" Flat Washer
20	153005	4	3/8" Lock Washer
21	152005	4	3/8-16 Hex Nut
22	103005	1	Idler Adjustment Hinge ONLY
23	153007	6	1/4" Lock Washer
24	152002	6	1/4-20 Hex Nut

* Replace in matched sets (both belts).



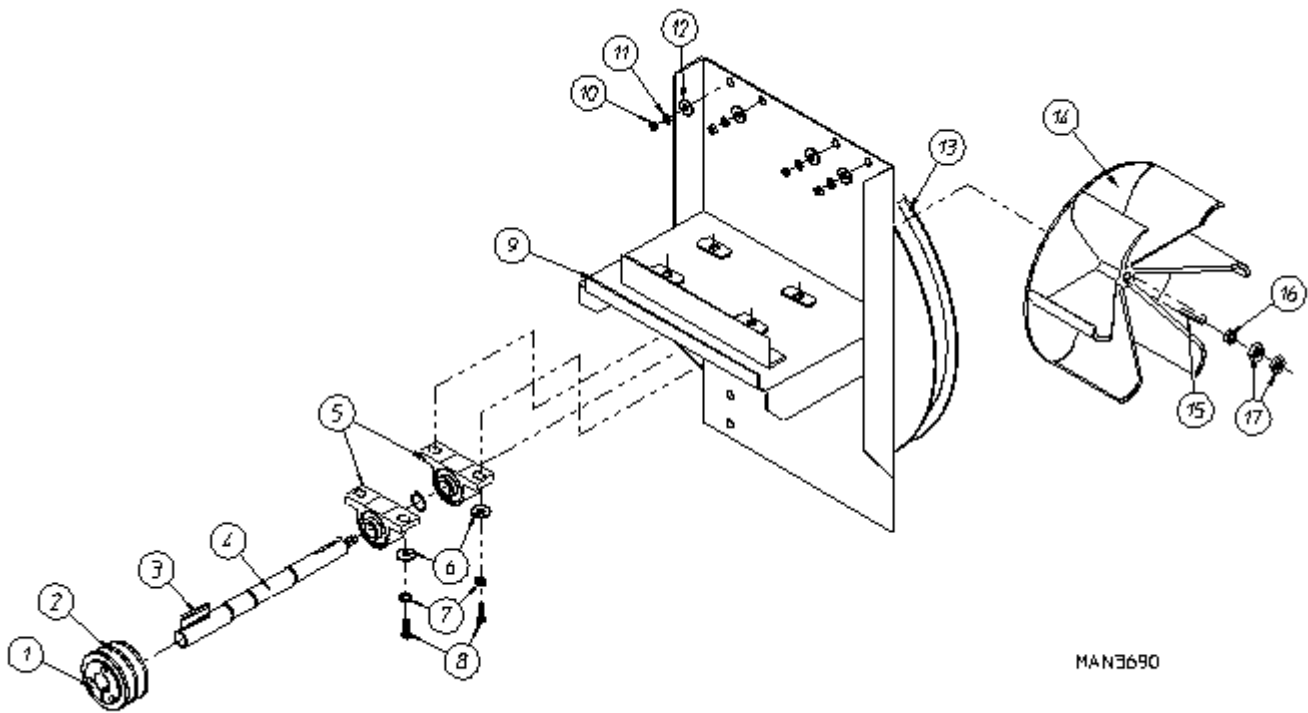
MAN0329

<u>Illus. No.</u>	<u>Part No.</u>	<u>Qty.</u>	<u>Description</u>
1	101121	1	5/8" SK Bushing
2	101114	1	2.65" Pulley (for 60 Hz Models Only)
	101120	1	3.15" Pulley (for 50 Hz Models Only)
3*	100170	2	3V-710 Cogged Belt (for 60 Hz Models Only)
	100155	2	AP-74 V-Belt (for 50 Hz Models Only)
4	120200	1	3/8" x 90° Connector
5	150501	4	5/16-18 x 3/4" Hex Head Machine Bolt
6	153001	4	5/16" Flat Washer
7	100029	1	3/4 HP 208/230/460v 3ø 50/60 Hz and 380v 3ø 50 Hz T.E.F.C. Motor (56Z Frame)
	100084	1	3/4 HP 380v 3ø 60 Hz T.E.F.C. Motor (56Z Frame)
8	800952	1	Basket (Tumbler) Motor Mount ONLY (56Z Frame)
	800953**	1	3/4 HP 208/230/460v 3ø 60 Hz Basket Motor Mount Assembly Complete (includes illus. nos. 1, 2, 5, 7, 10, 11, 12, 15, and 16)
	800955**	1	3/4 HP 208/230/380/460v 3ø 50 Hz Motor Mount Assembly Complete (includes illus. nos. 1, 2, 5, 7, 10, 11, 12, 15, and 16)
9	152004	4	5/16-18 Hex Nut
10	153002	4	5/16" Lock Washer
11	153001	4	5/16" Flat Washer
12	152004	4	5/16-18 Hex Nut
13	153002	4	5/16" Lock Washer
14	153001	4	5/16" Flat Washer
15	150619	1	3/8-16 x 3" Hex Head Machine Bolt
16	152005	2	3/8-16 Hex Nut

* Replace in matched sets (both belts).

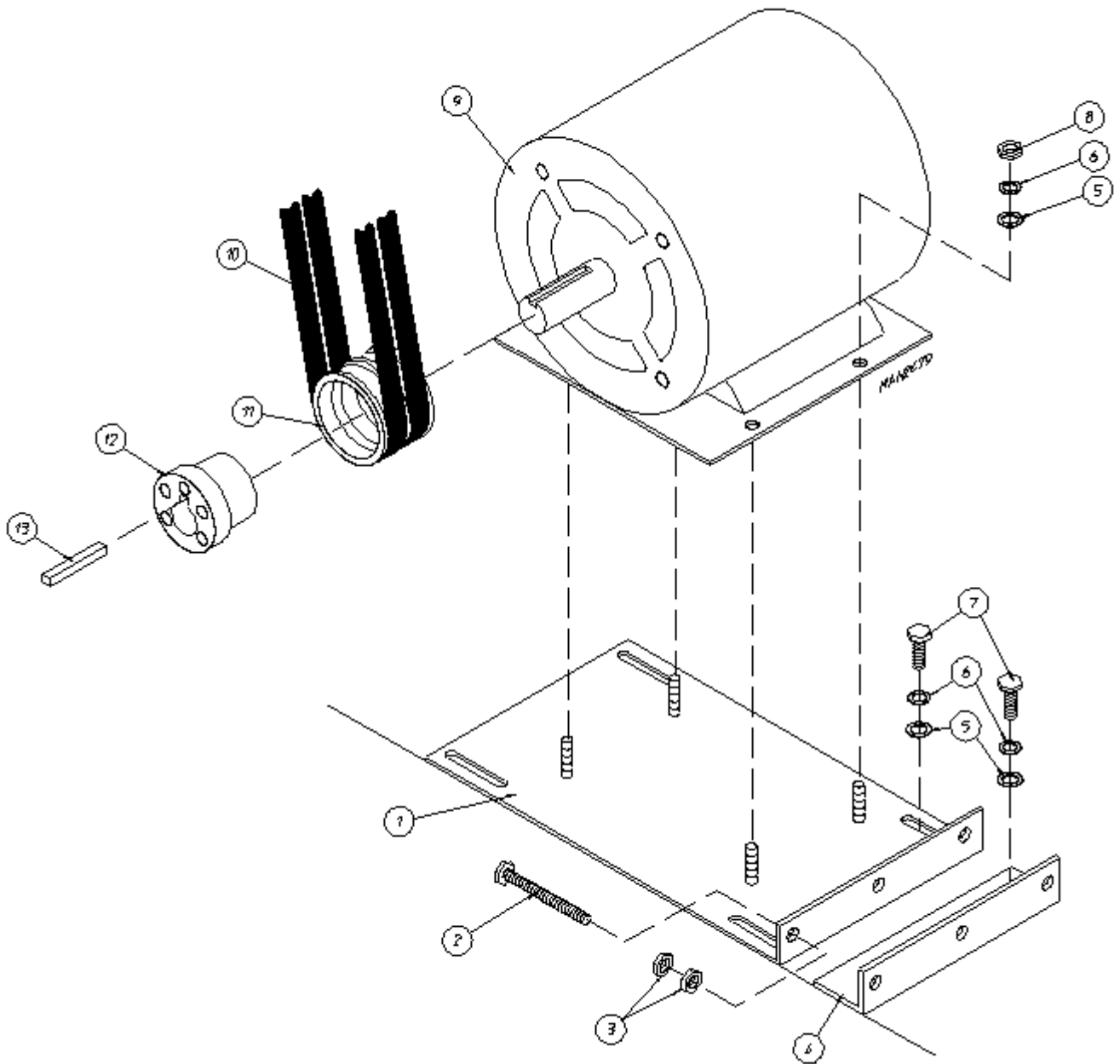
** Specify voltage when ordering.

IMPORTANT: For voltages higher than 460 VAC, contact the factory for correct part number of motor mount assembly.



09ENAM

<u>Illus. No.</u>	<u>Part No.</u>	<u>Qty.</u>	<u>Description</u>
1	101194	1	SDS x 1-3/8" Bushing (for 60 Hz Models Only)
	101152	1	SH x 1-3/8" Bushing (for 50 Hz Models Only)
2	101147	1	2B x 4.8 Pulley (for 60 Hz Models Only)
	101148	1	2B x 4.0 Pulley (for 50 Hz Models Only)
3	100706	1	5/16" x 5/16" x 1-3/8" Key
4	317400	1	Impellor (Fan/Blower) Shaft
5	880879	2	1-3/8" Pillow Block Bearing with Set Screws and Grease Fitting
	154326	4	5/16 x 3/8" Allen Set Screw ONLY
	170512	2	1/4-28 N.P.T. Grease Fitting ONLY
6	153004	4	3/8" Flat Washer
7	153005	4	3/8" Lock Washer
8	150600	4	3/8-16 x 1-1/2" Hex Head Machine Bolt
9	813002	1	Impellor/Fan Shaft Mount ONLY
	813023	1	Impellor/Fan Assembly Complete (includes illus. nos. 1, 2, 3, 6, 7 through 10 and 15 through 18) For 60 Hz Models ONLY
	813024	1	Impellor/Fan Assembly Complete (includes illus. nos. 1, 2, 3, 6, 7 through 10 and 15 through 18) For 50 Hz Models ONLY
10	152005	8	3/8-16 Hex Nut
11	153005	8	3/8" Lock Washer
12	153004	8	3/8" Flat Washer
13	116014	1	3" x 3" Fan (Impellor/Blower) Gasket
	117604	4	Neoprene Sponge Tape (sold by the foot)
14	100603	1	16" Impellor (Fan/Blower) with 3/4" Bore
15	100714	1	3/16" x 3/16" x 1 7/8" Key
16	153065	1	Fan Washer
17	152006	2	1/2-20 Left Hand Jam Nut

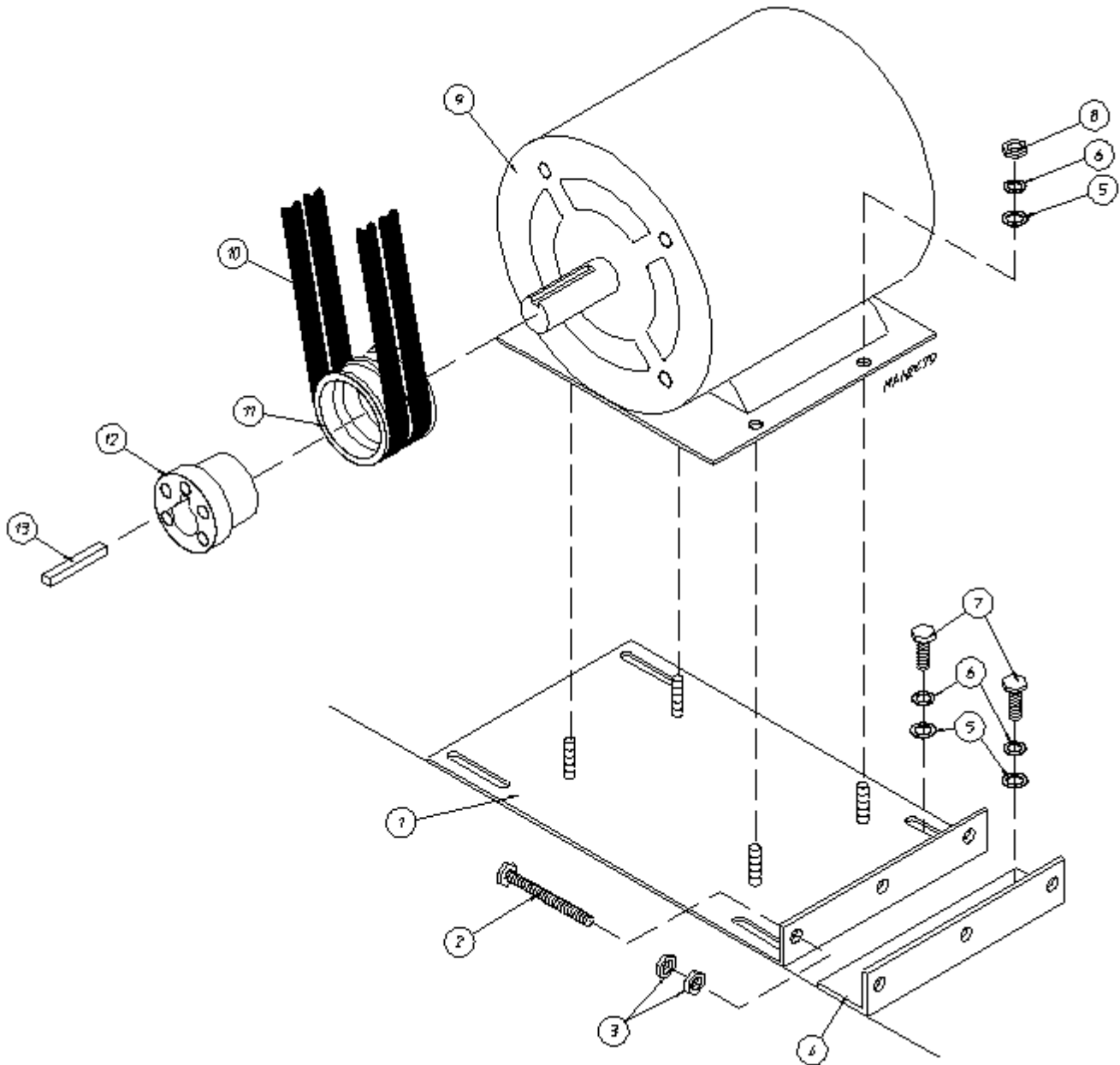


for Gas Models ONLY

<u>Illus. No.</u>	<u>Part No.</u>	<u>Qty.</u>	<u>Description</u>
1	802253	1	Adjustable Plate Assembly
	813025	1	Blower Motor Mount Assembly Complete (includes illus. nos. 1 through 9 and 11 through 13) <i>For 208-230/460 volt - 60 Hz models ONLY</i> <i>For 380/416 volt - 50 Hz models ONLY</i>
2	152034	2	3/8-16 x 3-1/2" Hex Head Bolt
3	152005	4	3/8-16 Hex Nut
4	802232	1	Adjustable Angle Assembly
5	153001	11	5/16" Flat Washer
6	153002	11	5/16" Lock Washer
7	150501	7	5/16-18 x 3/4" Hex Head Machine Bolt
8	152004	4	5/16-18 Hex Nut
9	100043	1	3 HP Blower Motor <i>For 208-230/460 volt - 60 Hz models ONLY</i> <i>For 380/416 volt - 50 Hz models ONLY</i>
10*	100169	2	5L-350 V-Belt
11	101135	1	2B x 5.4 Motor Pulley
12	101138	1	SDS x 1-1/8" Bore Bushing
13	100706	1	5/16" x 5/16" x 1-3/8" Key

* Replace in matched sets (both belts)

for Electric Models ONLY

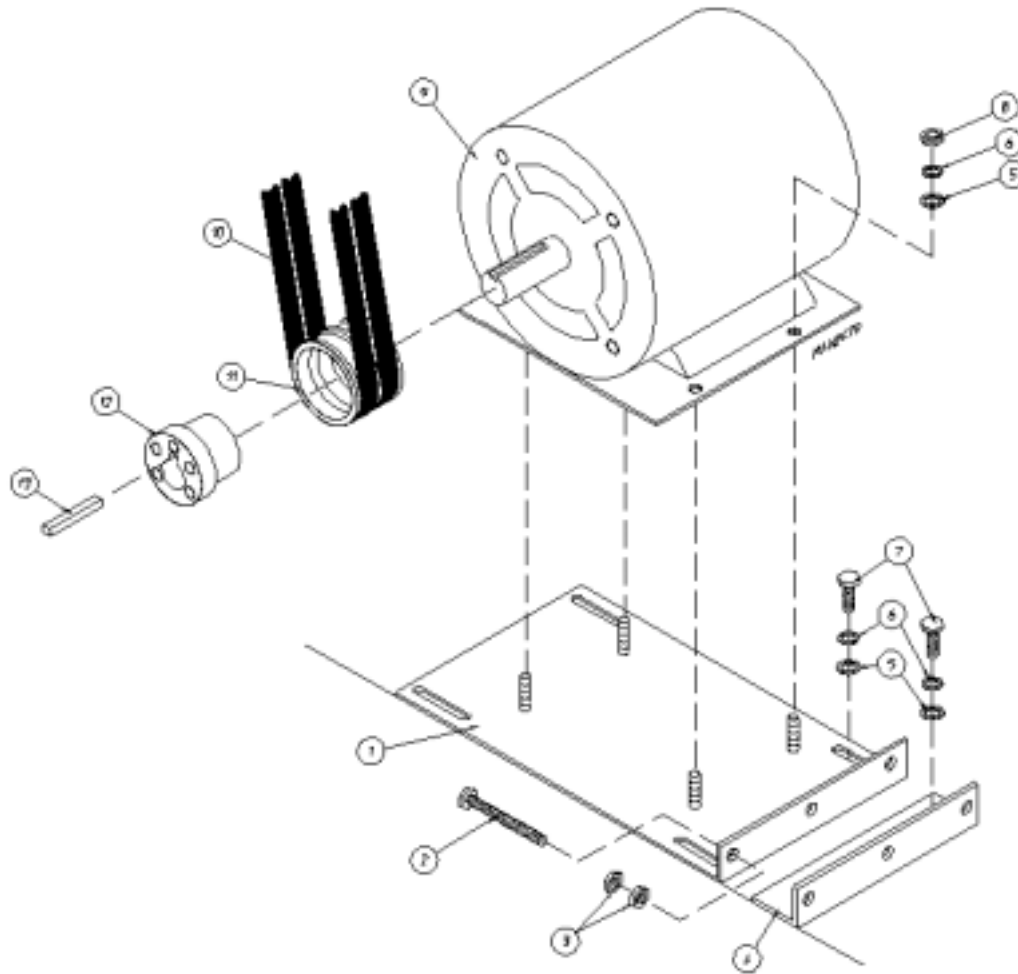


for Electric Models ONLY

<u>Illus. No.</u>	<u>Part No.</u>	<u>Qty.</u>	<u>Description</u>
1	802253	1	Adjustable Plate Assembly
	813025	1	72 Kw Electric Blower Motor Mount Assembly Complete (includes illus. nos. 1 through 9 and 11 through 13) <i>For 208-230/460 volt - 60 Hz models ONLY</i> <i>For 380/416 volt - 50 Hz models ONLY</i>
	813027	1	80 Kw Electric Blower Motor Mount Assembly Complete (includes illus. nos. 1 through 9 and 11 through 13) <i>For 208-230/460 volt - 60 Hz models ONLY</i> <i>For 380/416 volt - 50 Hz models ONLY</i>
2	152034	2	3/8-16 x 3-1/2" Hex Head Bolt
3	152005	4	3/8-16 Hex Nut
4	802232	1	Adjustable Angle Assembly
5	153001	11	5/16" Flat Washer
6	153002	11	5/16" Lock Washer
7	150501	7	5/16-18 x 3/4" Hex Head Machine Bolt
8	152004	4	5/16-18 Hex Nut
9	100043	1	3 HP Blower Motor <i>For 208-230/460 volt - 60 Hz models ONLY</i> <i>For 380/416 volt - 50 Hz models ONLY</i>
10*	100169	2	5L-350 V-Belt (for 72 Kw Electric Oven Only)
	100168	2	5L-360 V-Belt (for 80 Kw Electric Oven Only)
11	101135	1	2B x 5.4 Motor Pulley (for 72 Kw Electric Oven Only)
	101185	1	2B x 6.2 Motor Pulley (for 80 Kw Electric Oven Only)
12	101138	1	SDS x 1-1/8" Bore Bushing
13	100706	1	5/16" x 5/16" x 1-3/8" Key

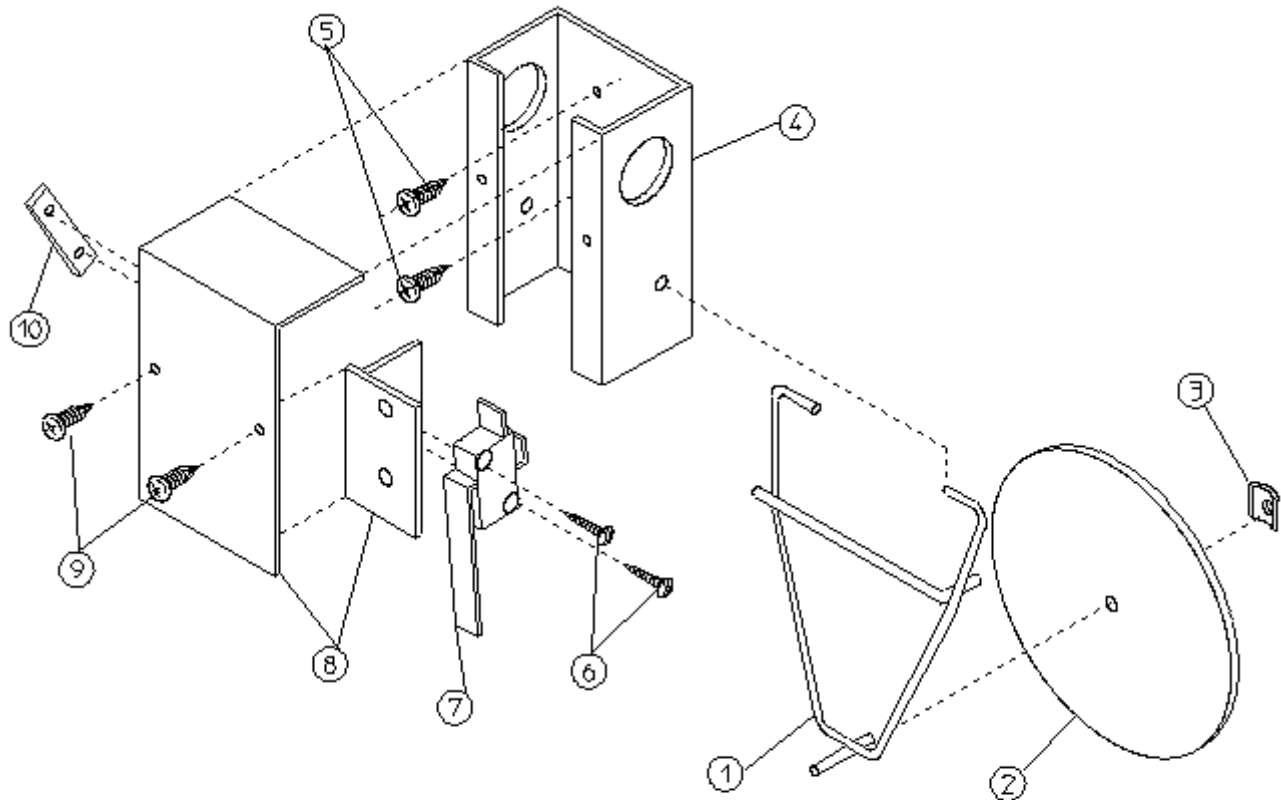
* Replace in matched sets (both belts)

for Steam Models ONLY



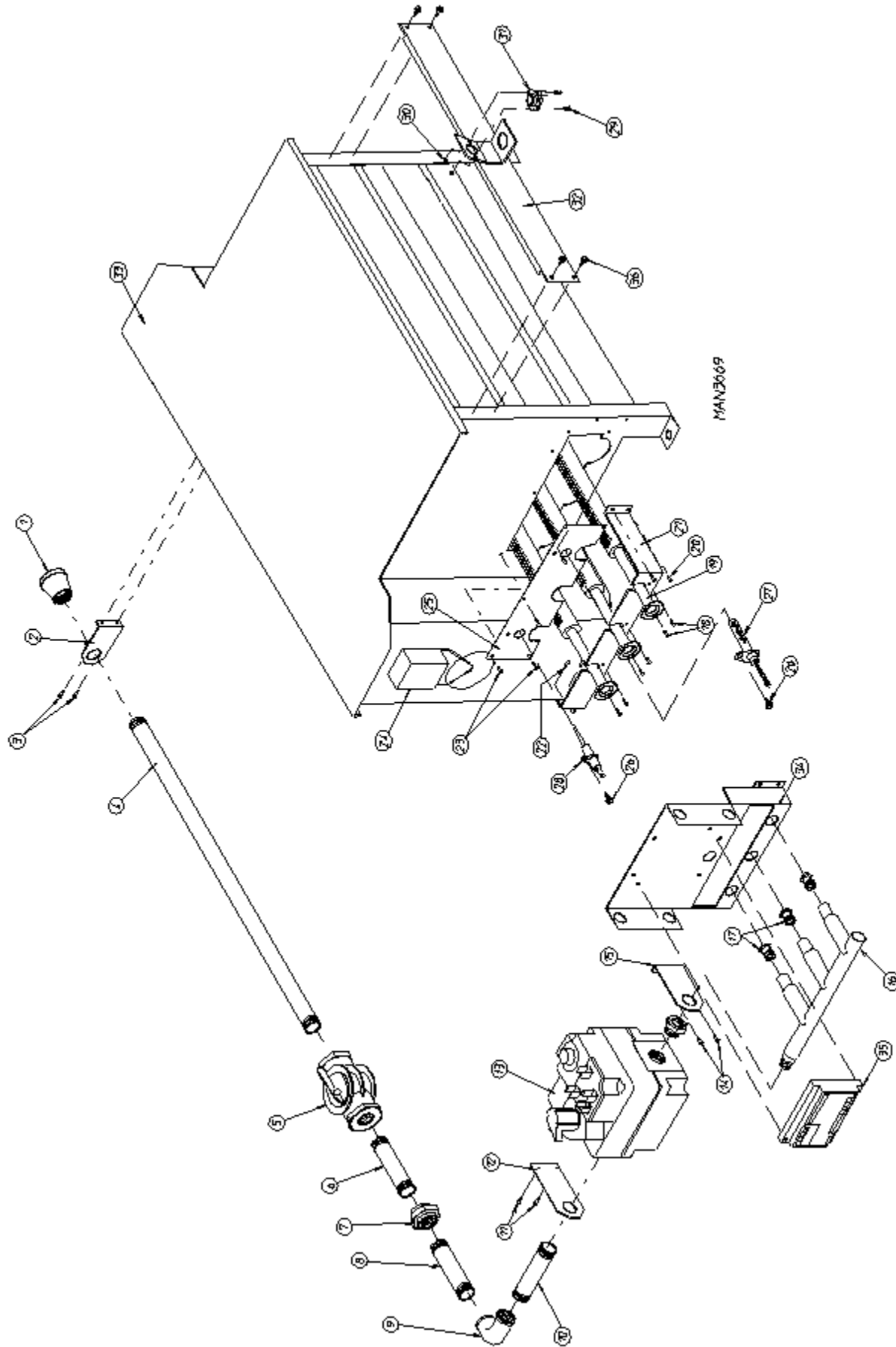
Illus. No.	Part No.	Qty.	Description
1	802253	1	Adjustable Plate Assembly
	813026	1	Blower Motor Mount Assembly Complete (includes illus. nos. 1 through 9 and 11 through 13) <i>For 208-230/460 volt - 60 Hz models ONLY</i> <i>For 380/416 volt - 50 Hz models ONLY</i>
2	152034	2	3/8-16 x 3-1/2" Hex Head Bolt
3	152005	4	3/8-16 Hex Nut
4	802232	1	Adjustable Angle Assembly
5	153001	11	5/16" Flat Washer
6	153002	11	5/16" Lock Washer
7	150501	7	5/16-18 x 3/4" Hex Head Machine Bolt
8	152004	4	5/16-18 Hex Nut
9	100043	1	3 HP Blower Motor <i>For 208-230/460 volt - 60 Hz models ONLY</i> <i>For 380/416 volt - 50 Hz models ONLY</i>
10*	100168	2	5L-360 V-Belt
11	101185	1	2B x 6.2 Motor Pulley
12	101138	1	SDS x 1-1/8" Bore Bushing
13	100706	1	5/16" x 5/16" x 1-3/8" Key

* Replace in matched sets (both belts)



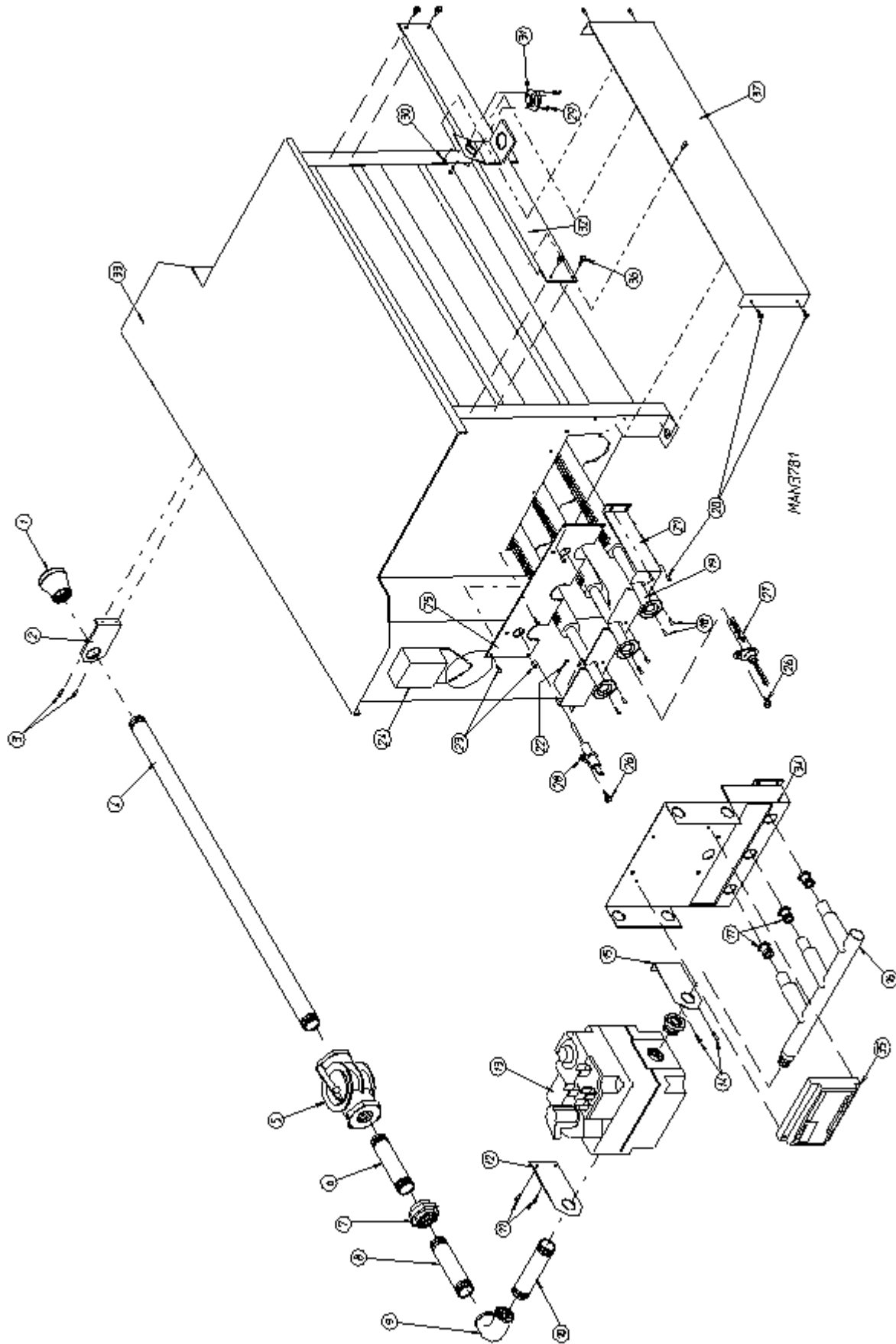
MAN0440

<u>Illus. No.</u>	<u>Part No.</u>	<u>Qty.</u>	<u>Description</u>
1	105500	1	Sail Switch Actuator Rod
2	319202	1	Sail Switch Damper (Flat)
3	154002	1	1/8" Push-on Fastener
4	802800	1	Sail Switch Box Cover and Bracket ONLY
	802801	1	Sail Switch Box Assembly Complete (includes illus. nos. 1 through 4 and 6 through 10)
5	150309	2	#10-16 x 1/2" Hex Head TEK Crimptite Screw
6	150303	2	#4 x 3/4" Pan Head "A" Machine Screw
7	122200	1	Sail Switch ONLY
8	802799	1	Sail Switch Box Cover and Bracket ONLY
9	150309	2	#10-16 x 1/2" Phillips Round Head Screw
10	154004	1	Twin Speed Nut



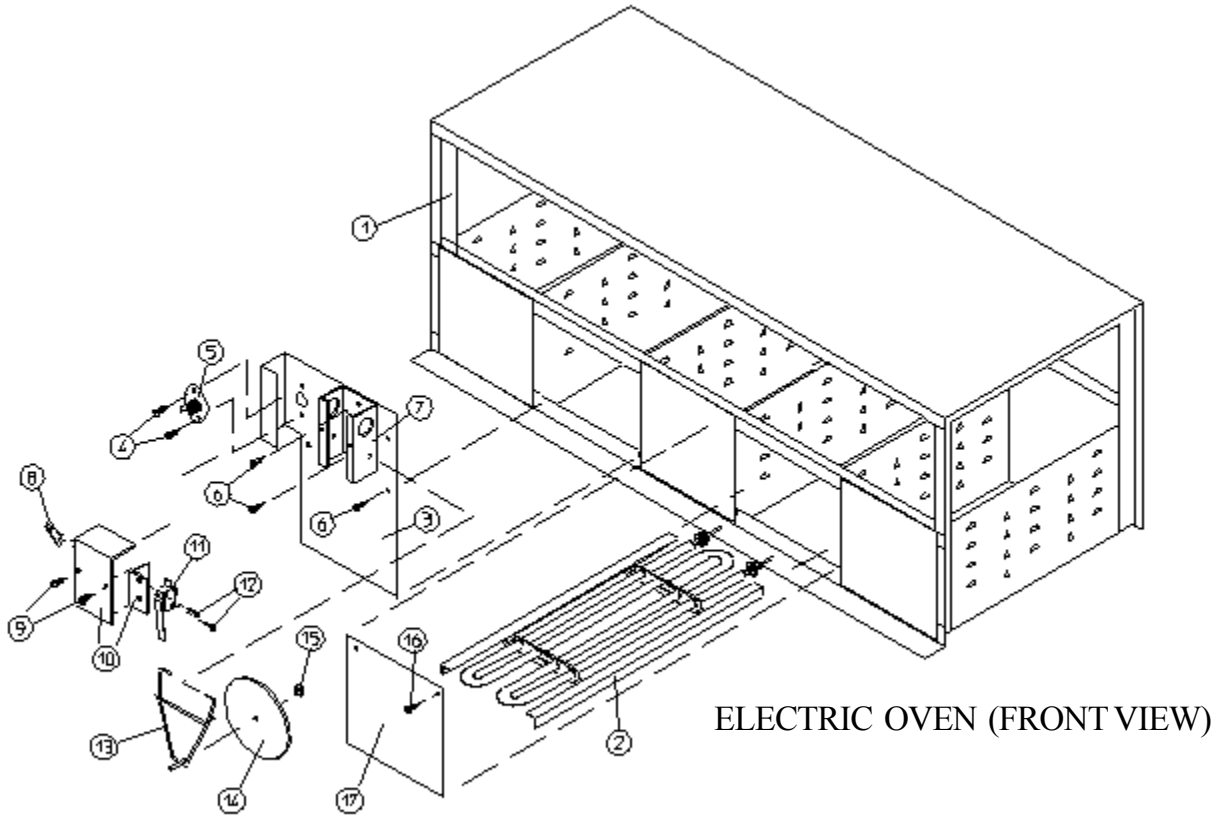
<u>Illus. No.</u>	<u>Part No.</u>	<u>Qty.</u>	<u>Description</u>
1	142924	1	1" to 3/4" Reducing Coupling
2	331291	1	Pipe Bracket
3	150309	2	#10-16 x 1/2" Hex Head TEK Crimptite Screw
4	142829	1	3/4" x 20" Nipple
5	141300	1	3/4" Union Shut-Off
6	142701	1	3/4" Closed Nipple
7	142601	1	3/4" Union
8	142710	1	3/4" x 4" Nipple
9	142504	1	3/4" x 90° Elbow
10	142734	1	3/4" x 5-1/2" Nipple
11	390125	1	Pipe Bracket
12	150309	2	#10-16 x 1/2" Hex Head TEK Crimptite Screw
13	140026	1	3/4" 24 VAC Redundant (natural gas) Gas Valve
14	150309	2	#10-16 x 1/2" Hex Head TEK Crimptite Screw
15	331291	1	Pipe Bracket
16	141208	1	3-Port Manifold
17*	140832	3	#4 Burner Orifice (natural gas) ONLY
18	150309	4	#10-16 x 1/2" Hex Head TEK Crimptite Screw
19	141110	3	Burner Tube ONLY
20	150309	6	#10-16 x 1/2" Hex Head TEK Crimptite Screw
21	331287	1	Burner Tube Support ONLY
22	150309	2	#10-16 x 1/2" Hex Head TEK Crimptite Screw
23	150309	6	#10-16 x 1/2" Hex Head TEK Crimptite Screw
24	-----	1	Sail Switch (refer to Sail Switch Assembly on page 29)
25	390098	1	Burner Box Cover Plate ONLY
26	150309	2	#10-16 x 1/2" Hex Head TEK Crimptite Screw
27	881597	1	Hot Surface Ignition (HSI) Ignitor
28	128921	1	HSI Flame Sensor
29	150001	2	#6-32 x 1/2" Phillips Round Head Machine Screw
30	151000	2	#6-32 Pal Nut
31	130201	1	330° Small Manual/Reset Thermostat ONLY (for models mfd. as of May 26, 1998)
	130401	1	330° Hi-Limit ONLY (for models mfd. prior to May 26, 1998)
32	821457	1	Hi-Limit Bracket
33	881874*	1	HSI Natural Gas Burner Assembly Complete (includes illus. nos 1 through 36) For models mfd. with Natural Gas ONLY
	820872	1	Burner Box ONLY
34	335031	1	Hot Surface Ignition (HSI) Module Mounting Bracket/Manifold Rest
35	881797	1	HSI (Hot Surface Ignition) Module II
36	150309	2	#10-16 x 1/2" Hex Head TEK Crimptite Screw

* Consult factory for elevations over 2,000 feet.



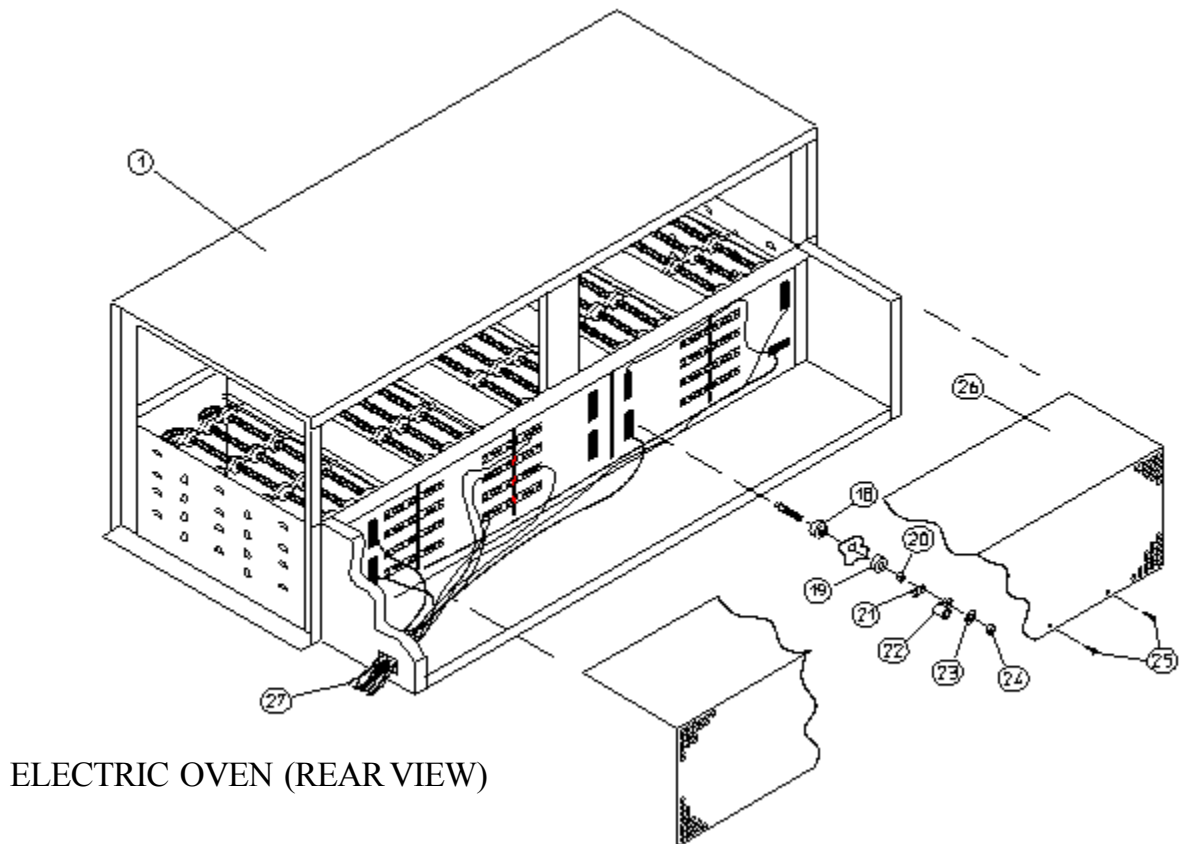
<u>Illus. No.</u>	<u>Part No.</u>	<u>Qty.</u>	<u>Description</u>
1	142924	1	1" to 3/4" Reducing Coupling
2	331291	1	Pipe Bracket
3	150309	2	#10-16 x 1/2" Hex Head TEK Crimptite Screw
4	142829	1	3/4" x 20" Nipple
5	141300	1	3/4" Union Shut-Off
6	142701	1	3/4" Closed Nipple
7	142601	1	3/4" Union
8	142710	1	3/4" x 4" Nipple
9	142504	1	3/4" x 90° Elbow
10	142734	1	3/4" x 5-1/2" Nipple
11	390125	1	Pipe Bracket
12	150309	2	#10-16 x 1/2" Hex Head TEK Crimptite Screw
13	140026	1	3/4" 24 VAC Redundant (natural gas) Gas Valve
	881868	1	24 VAC Gas Valve L.P. (liquid propane) Conversion Kit
14	150309	2	#10-16 x 1/2" Hex Head TEK Crimptite Screw
15	331291	1	Pipe Bracket
16	141208	1	3-Port Manifold
17*	140819	3	#30 Burner Orifice (liquid propane gas) ONLY
18	150309	4	#10-16 x 1/2" Hex Head TEK Crimptite Screw
19	141110	3	Burner Tube ONLY
20	150309	10	#10-16 x 1/2" Hex Head TEK Crimptite Screw
21	331287	1	Burner Tube Support ONLY
22	150309	2	#10-16 x 1/2" Hex Head TEK Crimptite Screw
23	150309	6	#10-16 x 1/2" Hex Head TEK Crimptite Screw
24	-----	1	Sail Switch (refer to Sail Switch Assembly on page 29)
25	390098	1	Burner Box Cover Plate ONLY
26	150309	2	#10-16 x 1/2" Hex Head TEK Crimptite Screw
27	881597	1	Hot Surface Ignition (HSI) Ignitor
28	128921	1	HSI Flame Sensor
29	150001	2	#6-32 x 1/2" Phillips Round Head Machine Screw
30	151000	2	#6-32 Pal Nut
31	130201	1	330° Small Manual/Reset Thermostat ONLY (for models mfd. as of May 26, 1998)
	130401	1	330° Hi-Limit ONLY (for models mfd. prior to May 26, 1998)
32	821457	1	Hi-Limit Bracket
33	881875*	1	HSI Liquid Propane (L.P.) Gas Burner Assembly Complete (includes illus. nos 1 through 36) For models mfd. with Natural Gas ONLY
	820872	1	Burner Box ONLY
34	335031	1	Hot Surface Ignition (HSI) Module Mounting Bracket/Manifold Rest
35	881797	1	HSI (Hot Surface Ignition) Module II
36	150309	2	#10-16 x 1/2" Hex Head TEK Crimptite Screw
37	332256	1	L.P. Burner Baffle

* Consult factory for elevations over 2,000 feet.



ELECTRIC OVEN (FRONT VIEW)

MAN1638

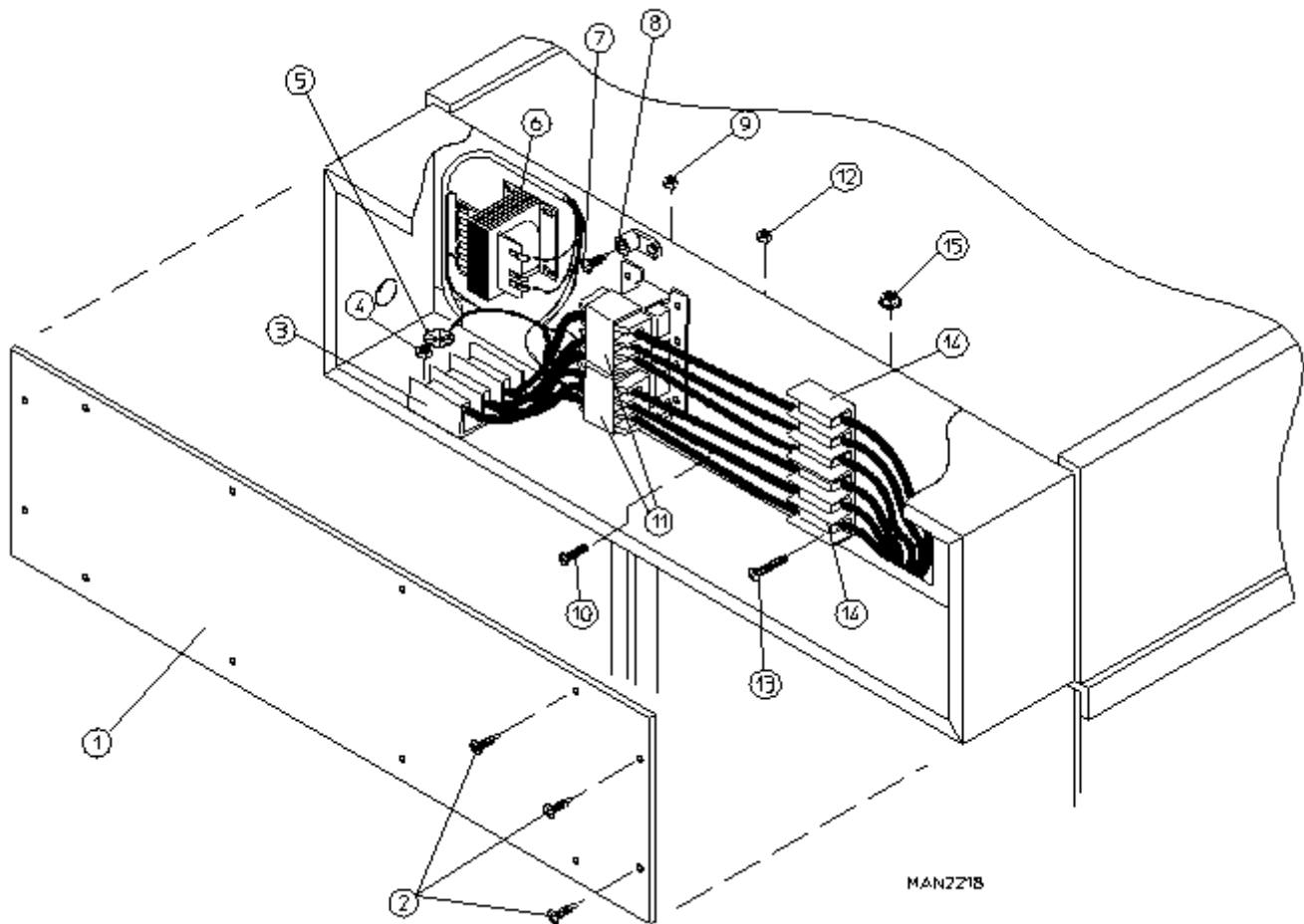


ELECTRIC OVEN (REAR VIEW)

<u>Illus. No.</u>	<u>Part No.</u>	<u>Qty.</u>	<u>Description</u>
1	881873	1	Electric Oven Box ONLY
	-----*	1	Electric Oven Assembly Complete
2	-----*	18	Electric Element
3	802802	1	Safety Control Bracket ONLY
4	150301	2	#8-18 x 7/16" Phillips Pan Head TEK Screw
5	130400	1	290° Hi-Limit ONLY
6	150309	4	#10-16 x 1/2" Hex Head TEK Crimptite Screw
7	802800	1	Sail Switch Box with Cover and Bracket ONLY
	802801	1	Sail Switch Box Assembly Complete (includes illus. nos. 7 through 15)
8	154004	1	Twin Speed Nut
9	150309	2	#10-16 x 1/2" Hex Head TEK Crimptite Screw
10	802799	1	Sail Switch Box with Cover and Bracket ONLY
11	122200	1	Sail Switch ONLY
12	150303	2	#4 x 3/4" Pan Head "A" Machine Screw
13	105500	1	Sail Switch Actuator Rod
14	319202	1	Sail Switch Damper (flat)
15	154002	1	1/8" Push-On Fastener
16	150309	8	#10-16 x 1/2" Hex Head TEK Crimptite Screw
17	803101	4	Electric Element Cover ONLY
18	120081	36	Internal Ceramic Insulator
19	120080	36	External Ceramic Insulator
20	152008	36	#10-32 Hex Nut
21	121011*	---	Bus Bar (sold by the foot)
22	121010*	---	Terminal Lug
23	153009	36	#10 Star Washer
24	152008	36	#10-32 Hex Nut
25	150309	14	#10-16 x 1/2" Hex Head TEK Crimptite Screw
26	321403	1	Enclosure Access Cover ONLY
27	-----*	-	Oven Wire (sold by the foot)

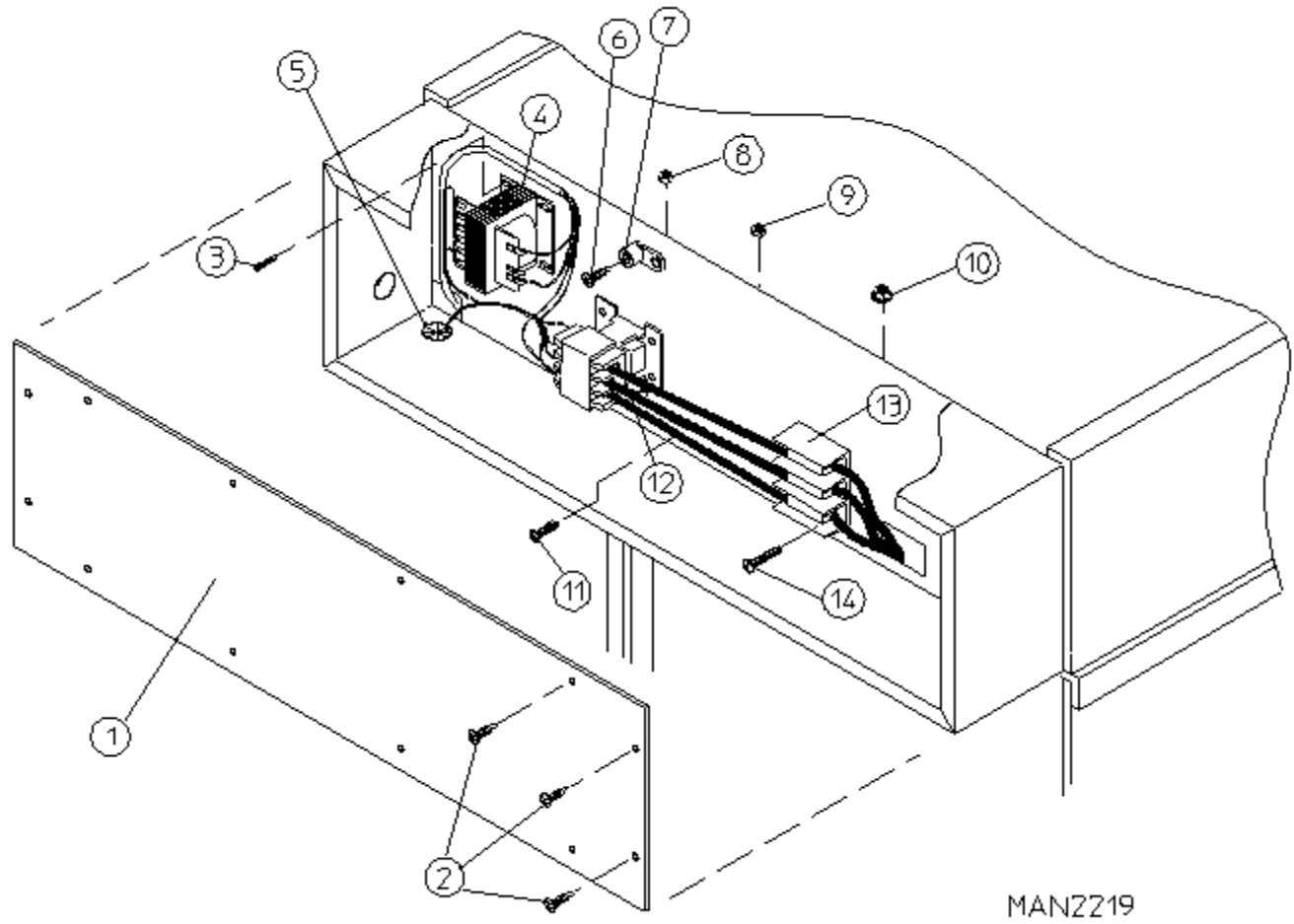
* Refer to **Electric Oven Component Application Charts** on **page 50**.

for 208-240 VAC - 3ø - 50/60 Hz Models ONLY

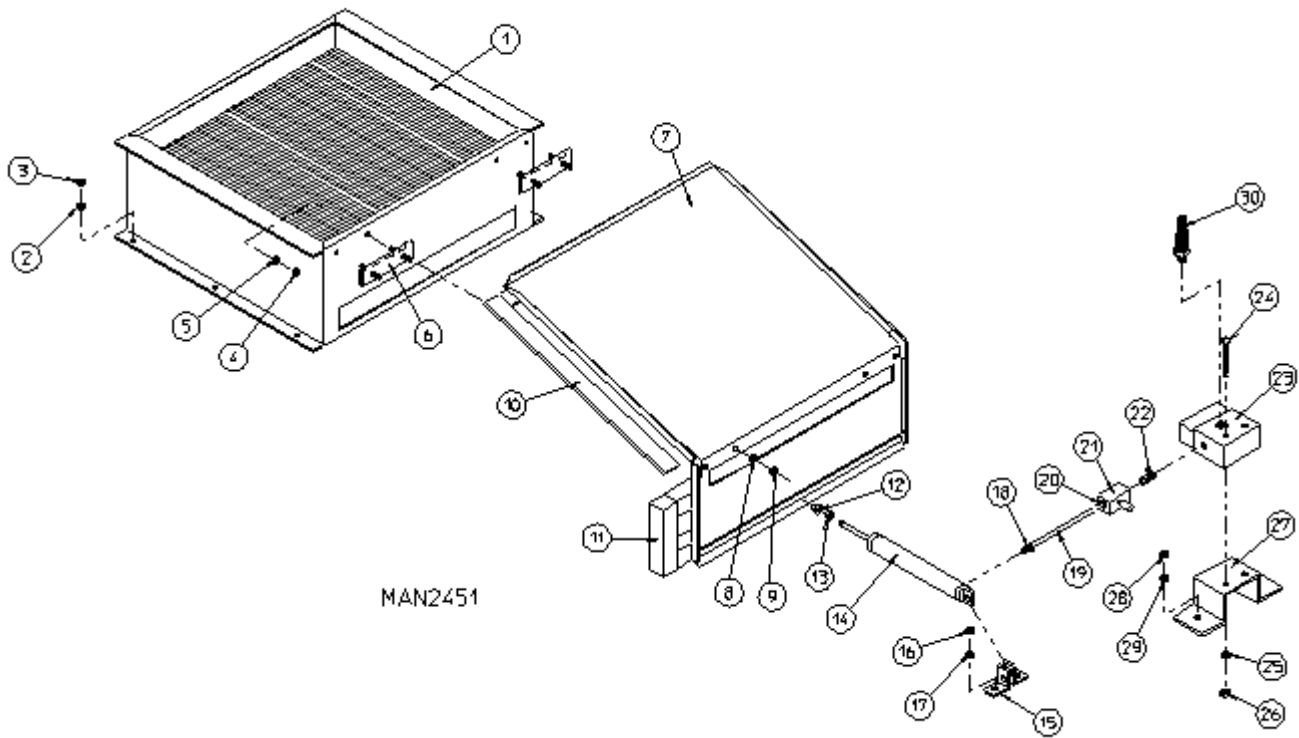


Illus. No.	Part No.	Qty.	Description
1	320902	1	Electric Oven Relay Box Cover
2	150301	12	#8-18 x 7/16" Phillips Pan Head TEK Screw
3	120710	1	Power Distribution Block
4	151001	2	#8-32 Pal Nut
5	121400	2	Universal Bushing
6	132004	1	Transformer
			(for ALL Microprocessor [computer] Models)
7	150108	3	#8-32 x 1/2" Pan Head Machine Screw
8	121010	1	L-70 Terminal Lug
9	151001	1	#8-32 Pal Nut
10	150108	1	#8-32 x 1/2" Pan Head Machine Screw
11	131385	2	TSPT 112-Amp - 24 VAC Relay
12	151001	3	#8-32 Pal Nut
13	150521	2	1/4-20 x 2" Carriage Bolt
14	120706	1	Power Distribution Block
15	152014	2	1/4-20 Free Spin Wash Nut

for 380-416/480 VAC - 3 ϕ - 50/60 Hz Models ONLY

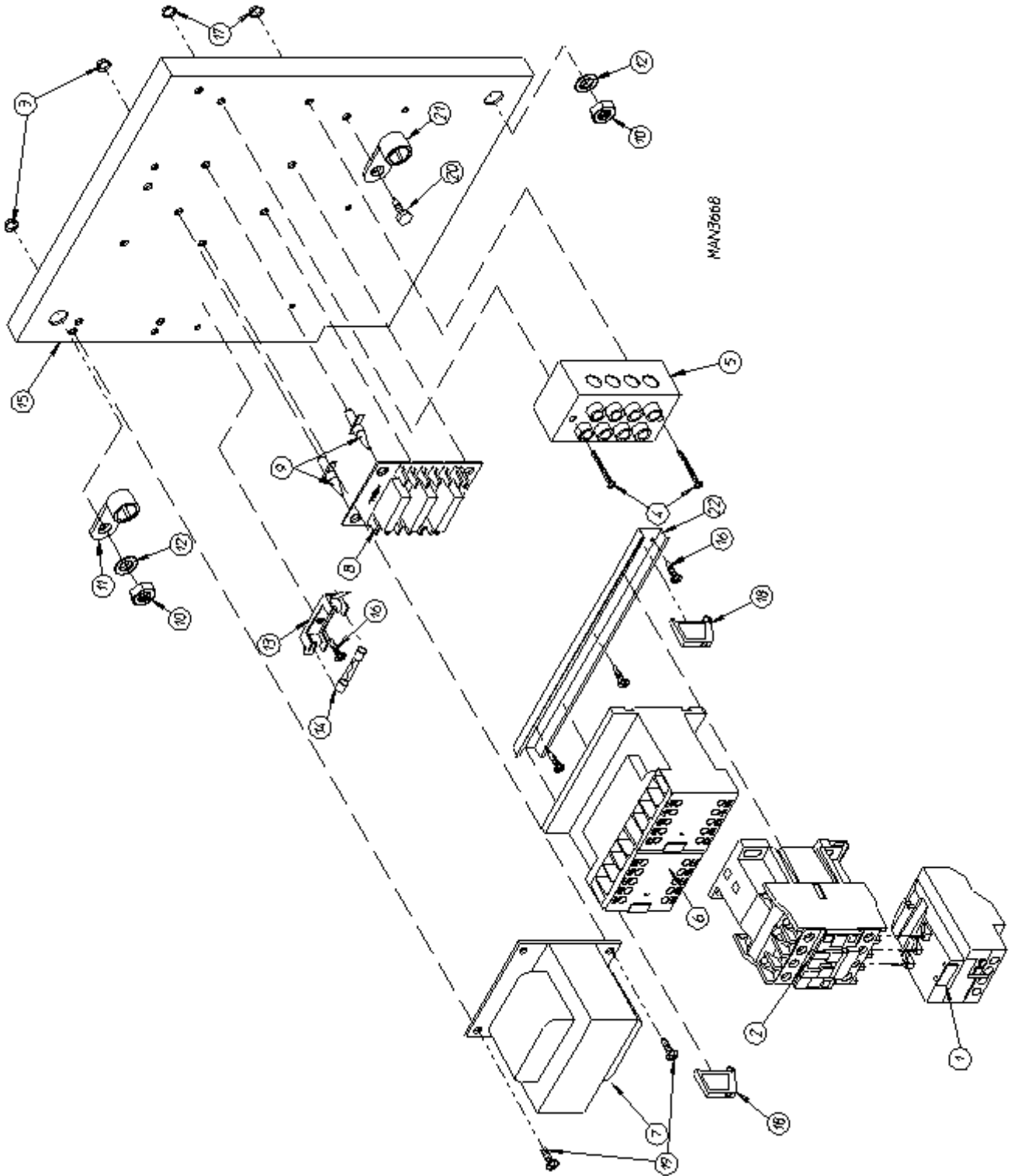


Illus. No.	Part No.	Qty.	Description
1	320902	1	Electric Oven Relay Box Cover
2	150301	12	#8-18 x 7/16" Phillips Pan Head TEK Screw
3	150300	3	#10 x 1/2" Hex Washer TEK Screw
4	132004	1	Transformer (for ALL Electric Models - 380 VAC thru 480 VAC)
5	121400	2	Universal Bushing
6	150108	3	#8-32 x 1/2" Pan Head Machine Screw
7	121010	1	L-70 Terminal Lug
8	151001	1	#8-32 Pal Nut
9	151001	3	#8-32 Pal Nut
10	152014	2	1/4-20 Free Spin Wash Nut
11	150108	1	#8-32 x 1/2" Pan Head Machine Screw
12	131385	1	TSPT 112-Amp - 24 VAC Relay
13	120706	1	Power Distribution Block
14	150501	2	1/4-20 x 2" Carriage Bolt



<u>Illus. No.</u>	<u>Part No.</u>	<u>Qty.</u>	<u>Description</u>
1	165012	1	Steam Coil Assembly
	165019	1	Steel Steam Coil Assembly (Option)
2	153002	6	5/16" Lock Washer
3	152004	6	5/16-18 Hex Nut
4	152002	4	1/4-20 Hex Nut
5	153007	4	1/4" Lock Washer
6	820321	2	Steam Damper Hinge Assembly
7	803415	1	Steam Damper Assembly (includes illus. nos. 7, 10, and 11)
8	153007	4	1/4" Lock Washer
9	152002	4	1/4"-20 Hex Nut
10	115995	108	Steam Damper Gasket (sold by the inch)
11	102350	1	Gasket (68-1/2" length)
12	151007	1	7/16-20 Stainless Steel Acorn Nut
13	152007	1	7/16-20 Hex Nut
14	100499	1	1-1/4" Bore x 3" Stroke Piston
15	100500	1	Piston Support Bracket
16	152002	4	1/4-20 Hex Nut
17	153007	4	1/4" Lock Washer
18	100472	1	1/4" x 1/8" Connector
19	143110	1	1/4" Tubing (sold in feet)
20	100472	1	1/4" x 1/8" Connector
21	100496	1	1/8" Needle Valve
22	143238	1	1/8" Close Nipple
23	100498	1	3-Way Micro Valve - 24 VAC
24	150002	2	#6-32 x 1" Round Head Machine Screw
25	153010	2	#6 Star Washer
26	152000	2	#6-32 Hex Nut
27	330987	1	Micro Valve Support Bracket
28	152002	2	1/4-20 Hex Nut
29	153007	2	1/4" Lock Washer
30	100520	1	1/8" N.P.T. Silencer (muffler)

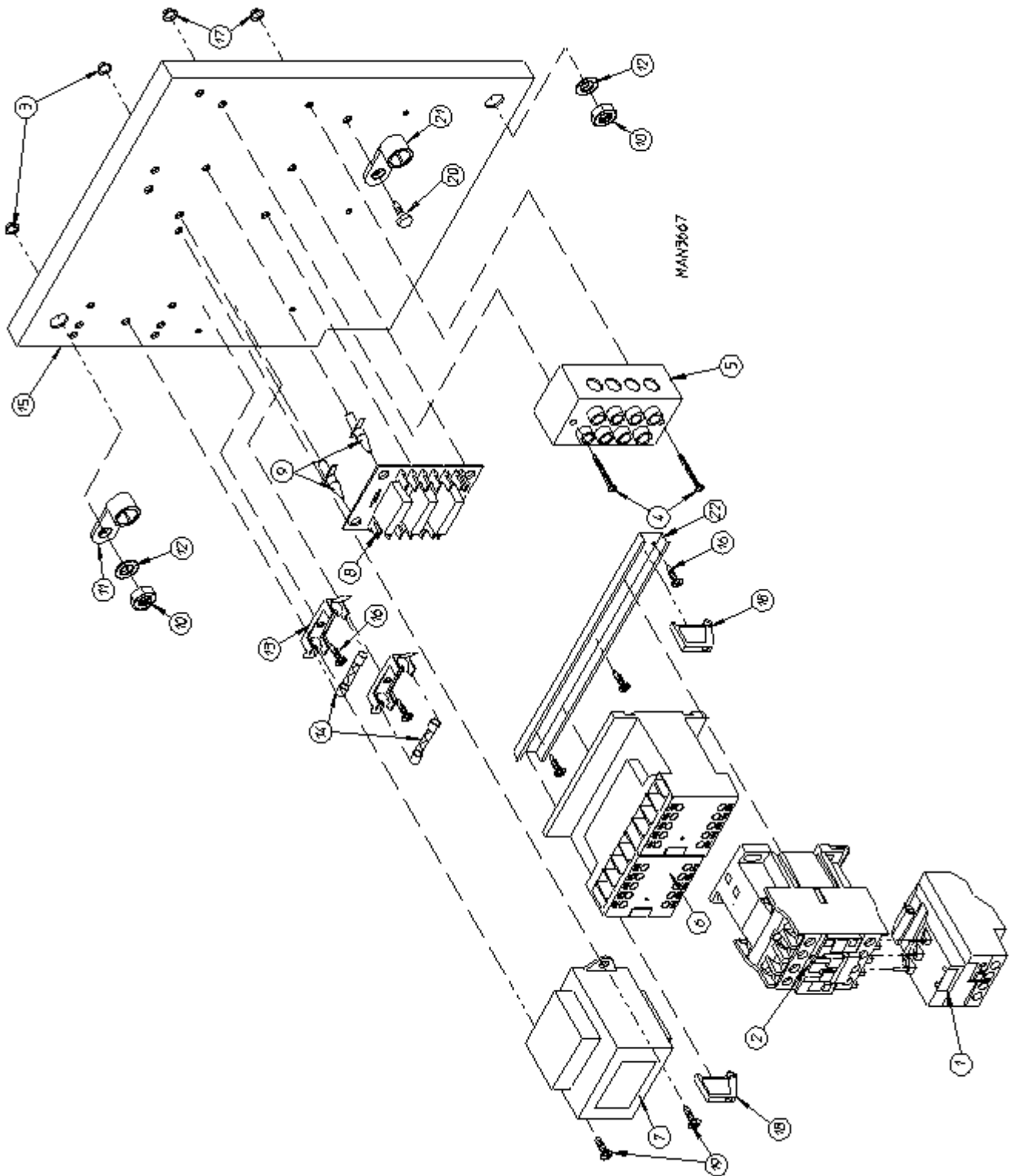
for Gas and Steam Models ONLY
for 208-230/240 Volt Models ONLY



for Gas and Steam Models ONLY
for 208-230/240 Volt Models ONLY

<u>Illus. No.</u>	<u>Part No.</u>	<u>Qty.</u>	<u>Description</u>
1	132467	1	9 -13 Amp Blower Overload
2	132445	1	3 HP Impellor (Blower/Fan) Contactor
3	151001	2	#8-32 Pal Nut
4	150008	2	#6-32 x 1-1/4" Slotted Round Head Machine Screw
5	120701	1	4-Position Power Distribution Block
6	132448	1	Reversing (Impellor/Blower/Fan) Contactor - 24 VAC
7	132070	1	208-230/240 Volt Transformer ONLY (for Gas Models Only)
	132083	1	208-230/240 Volt Transformer ONLY (for Steam Models Only)
	881763	1	ML Transformer Termination Kit
8	137060	1	Arc Suppressor (A.S.) Board
9	137013	4	Nylon Standoff
10	152004	2	5/16-18 Hex Nut
11	121012	1	L-125 Ground Lug
12	153002	2	5/16" Lock Washer
13	136008	2	Fuse Block/Strip Holder ONLY
14	136057	2	1/2-Amp (Slo Blo) Fuse
15	881888	1	Reversing Relay Panel Assembly Complete (includes illus. nos. 1 through 22) For Gas Models ONLY
	881890	1	Reversing Relay Panel Assembly Complete (includes illus. nos. 1 through 22) For Steam Models ONLY
	332346	1	Relay Mounting Panel ONLY
16	150301	4	#8-18 x 7/16" Phillips Pan Head TEK Screw
17	151000	2	#6-32 Pal Nut
18	120765	2	End Stop /Bracket
19	150108	2	#8-32 x 1/2" Pan Head Machine Screw
20	150297	1	#10 x 1/2" Hex Washer TEK Screw - Green
21	121010	1	L-70 Ground Lug
22	120768	8	Din Mounting Rail (sold by the inch)
--	835186	1	Phase 6 Microprocessor Reversing Relay Panel Wiring (for Gas Models Only)
--	835188	1	Phase 6 Microprocessor Reversing Relay Panel Wiring (for Steam Models Only)
--	842979	1	Phase 6 Microprocessor Reversing Relay Panel ASB Wiring

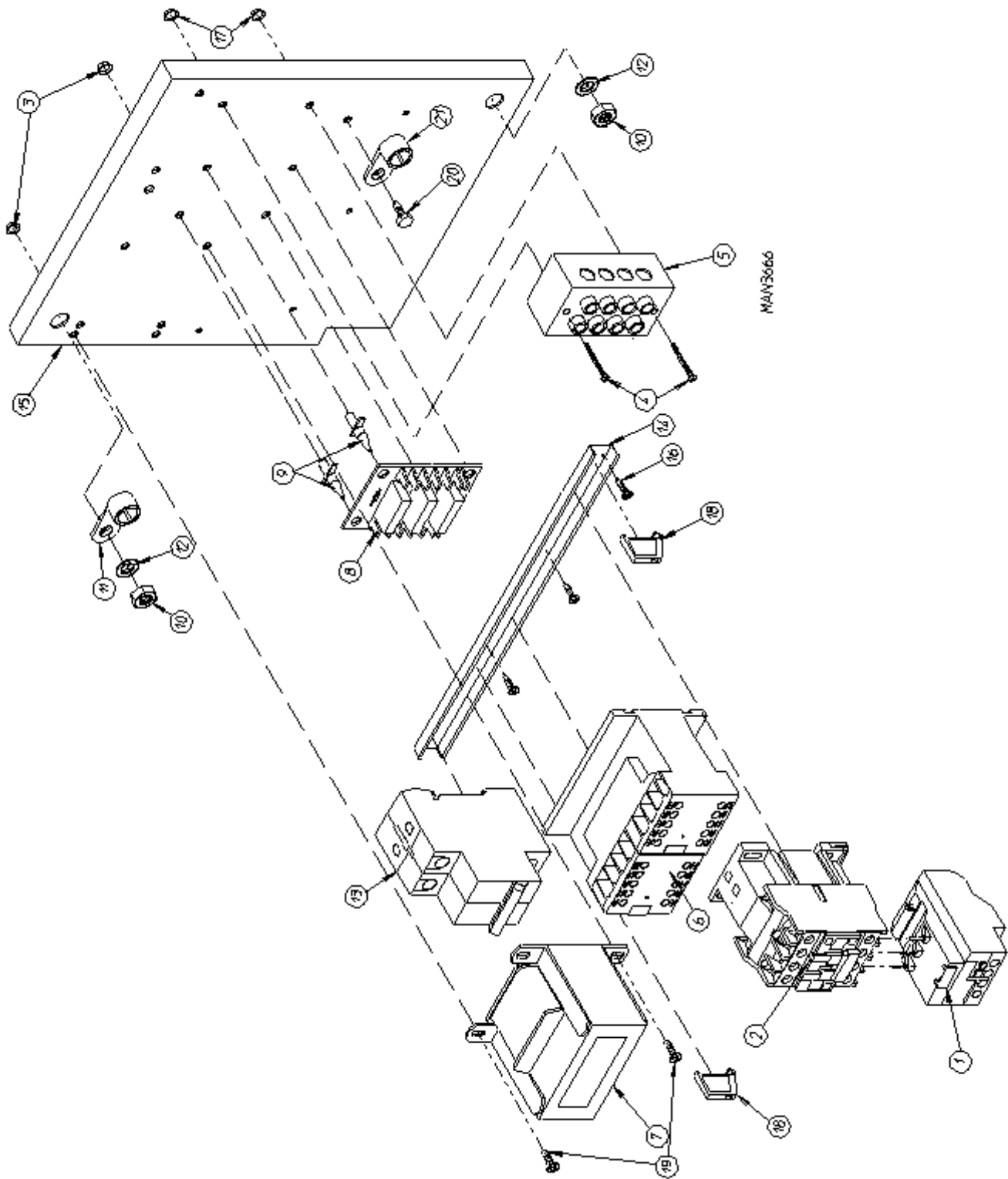
for Gas and Steam Models ONLY
for 380/416 Volt Models ONLY



for Gas and Steam Models ONLY
for 380/416 Volt Models ONLY

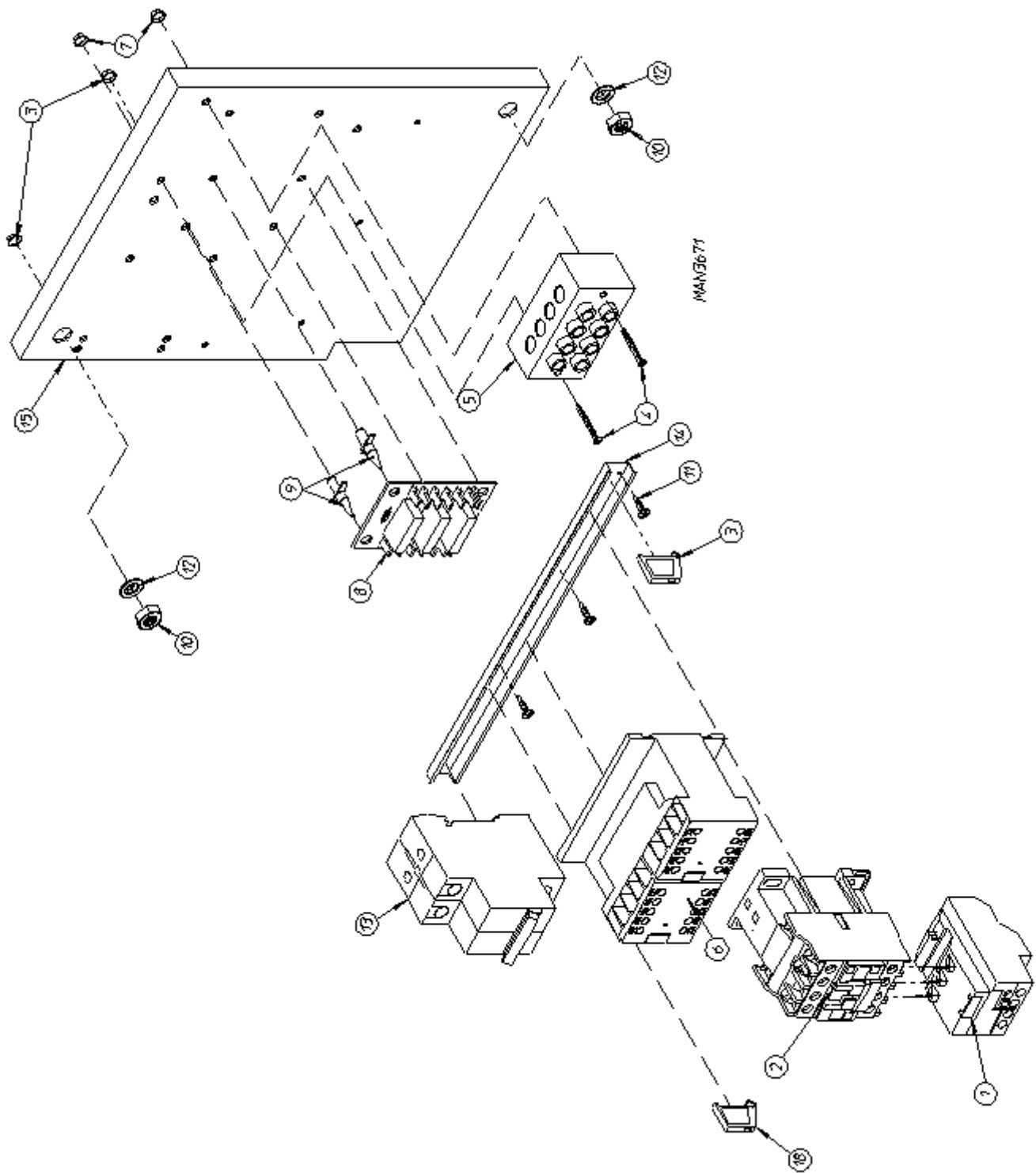
<u>Illus. No.</u>	<u>Part No.</u>	<u>Qty.</u>	<u>Description</u>
1	132468	1	4 - 6 Amp Blower Overload
2	132445	1	3 HP Impellor (Blower/Fan) Contactor
3	151001	2	#8-32 Pal Nut
4	150008	2	#6-32 x 1-1/4" Slotted Round Head Machine Screw
5	120701	1	4-Position Power Distribution Block
6	132448	1	Reversing (Impellor/Blower/Fan) Contactor - 24 VAC
7	132082	1	380/416 Volt Transformer ONLY
	881763	1	ML Transformer Termination Kit
8	137060	1	Arc Suppressor (A.S.) Board
9	137013	4	Nylon Standoff
10	152004	2	5/16-18 Hex Nut
11	121012	1	L-125 Ground Lug
12	153002	2	5/16" Lock Washer
13	136008	2	Fuse Block/Strip Holder ONLY
14	136057	2	1/2-Amp (Slo Blo) Fuse
15	881887	1	Reversing Relay Panel Assembly Complete (includes illus. nos. 1 through 22) For Gas Models ONLY
	881892	1	Reversing Relay Panel Assembly Complete (includes illus. nos. 1 through 22) For Steam Models ONLY
	332346	1	Relay Mounting Panel ONLY
16	150301	4	#8-18 x 7/16" Phillips Pan Head TEK Screw
17	151000	2	#6-32 Pal Nut
18	120765	2	End Stop /Bracket
19	150108	2	#8-32 x 1/2" Pan Head Machine Screw
20	150297	1	#10 x 1/2" Hex Washer TEK Screw - Green
21	121010	1	L-70 Ground Lug
22	120768	8	Din Mounting Rail (sold by the inch)
--	843009	1	Phase 6 Microprocessor Reversing Relay Panel Wiring (for Gas Models Only)
--	835185	1	Phase 6 Microprocessor Reversing Relay Panel Wiring (for Steam Models Only)
--	842979	1	Phase 6 Microprocessor Reversing Relay Panel ASB Wiring

for Gas and Steam Models ONLY
for 460/480 Volt Models ONLY



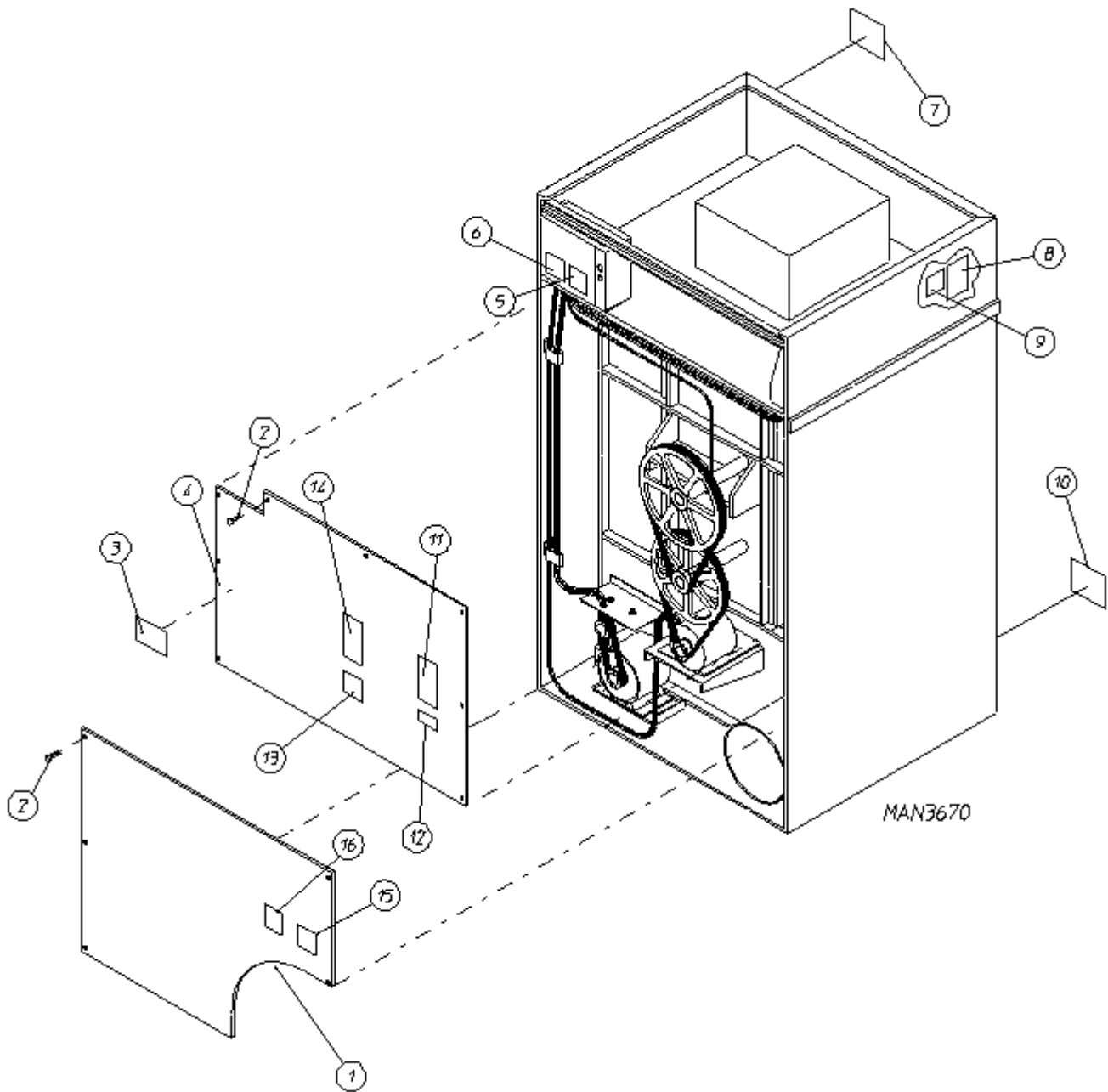
for Gas and Steam Models ONLY
for 460/480 Volt Models ONLY

<u>Illus. No.</u>	<u>Part No.</u>	<u>Qty.</u>	<u>Description</u>
1	132468	1	4 - 6 Amp Blower Overload
2	132445	1	3 HP Impellor (Blower/Fan) Contactor
3	151001	2	#8-32 Pal Nut
4	150008	2	#6-32 x 1-1/4" Slotted Round Head Machine Screw
5	120701	1	4-Position Power Distribution Block
6	132448	1	Reversing (Impellor/Blower/Fan) Contactor - 24 VAC
7	132067	1	460/480 Volt Transformer ONLY
	881763	1	ML Transformer Termination Kit
8	137060	1	Arc Suppressor (A.S.) Board
9	137013	4	Nylon Standoff
10	152004	2	5/16-18 Hex Nut
11	121012	1	L-125 Ground Lug
12	153002	2	5/16" Lock Washer
13	135501	2	Double Pole Circuit Breaker
14	120768	9	Din Mounting Rail (sold by the inch)
15	881886	1	Reversing Relay Panel Assembly Complete (includes illus. nos. 1 through 22) For Gas Models ONLY
	881889	1	Reversing Relay Panel Assembly Complete (includes illus. nos. 1 through 22) For Steam Models ONLY
	332346	1	Relay Mounting Panel ONLY
16	150301	4	#8-18 x 7/16" Phillips Pan Head TEK Screw
17	151000	2	#6-32 Pal Nut
18	120765	2	End Stop /Bracket
19	150108	2	#8-32 x 1/2" Pan Head Machine Screw
20	150297	1	#10 x 1/2" Hex Washer TEK Screw - Green
21	121010	1	L-70 Ground Lug
---	843010	1	Phase 6 Microprocessor Reversing Relay Panel Wiring (for Gas Models Only)
---	835235	1	Phase 6 Microprocessor Reversing Relay Panel Wiring (for Steam Models Only)
---	842979	1	Phase 6 Microprocessor Reversing Relay Panel ASB Wiring



for Electric Models ONLY

<u>Illus. No.</u>	<u>Part No.</u>	<u>Qty.</u>	<u>Description</u>
1	132468	1	4 - 6 Amp Blower Overload
2	132445	1	3 HP Impellor (Blower/Fan) Contactor
3	151001	2	#8-32 Pal Nut
4	150008	2	#6-32 x 1-1/4" Slotted Round Head Machine Screw
5	120701	1	4-Position Power Distribution Block
6	132448	1	Reversing (Impellor/Blower/Fan) Contactor - 24 VAC
7	132067	1	460/480 Volt Transformer ONLY
	881763	1	M/L Transformer Termination Kit
8	137060	1	Arc uppressor (A.S.) Board
9	137013	4	Nylon Standoff
10	152004	2	5/16-18 Hex Nut
11	121012	1	L-125 Ground Lug
12	153002	2	5/16" Lock Washer
13	135501	2	Double Pole Circuit Breaker
14	120768	9	Din Mounting Rail (sold by the inch)
15	881891	1	Reversing Relay Panel Assembly Complete (includes illus. nos. 1 through 22)
	332346	1	Relay Mounting Panel ONLY
---	835207	1	Phase 6 Microprocessor Reversing Relay Panel Wiring
---	842979	1	Phase 6 Microprocessor Reversing Relay Panel ASB Wiring



<u>Illus. No.</u>	<u>Part No.</u>	<u>Qty.</u>	<u>Description</u>
1	354000	1	Lower Back Guard (for Gas Models and Electric Models)
	354003	1	Lower Back Guard (for Steam Models Only)
2	150301	12	#8-18 x 7/16" Phillips Pan Head TEK Screw
3	112046	1	"Important for Computer Ground" Label
4	813029	1	Top Back Guard
5	114005	1	"DANGER - Hot" Label
6	114007	1	"DANGER - High Voltage" Label
7	114006	1	"WARNING - Fire Hazards" Label
8	112284	1	"Phase 6 OPL Programming Location" Label
9	114041	1	"Phase 6 'A - B' Factor" Label
10	112280	1	"Clean Lint Screen" Label
11	112229	1	"Installation Instructions" Label
12	112017	1	"ADC Name, Address, Phone #" Label
13	114004	1	"CAUTION - Rotating Parts" Label
14	112519	1	"Routine Maintenance Schedule" Label
15	114008	1	"WARNING - Fumes" Label
16	114001	1	"CAUTION - Exhaust/Lint Screen" Label

Volts	208		230		380		416		480		
Phase	3ø		3ø		3ø		3ø		3ø		
Wire	3		3		3 or 4		3 or 4		3 or 4		
Oven Assembly Part No.	881876		881877		881878		881879		881880		
<i>Elements</i>	Qty.	18		18		18		18		18	
	Size	4 Kw		4 Kw		4 Kw		4 Kw		4 Kw	
	Part No.	120008		120009		120044		120008		120009	
<i>Oven Wire</i>	Qty*	6'	25'	6'	25'	3'	8'	3'	25'	3'	25'
	Size	#2	#8	#2	#8	#2	#8	#2	#8	#2	#8
	Part No.	133302	133100	133302	133100	133302	133100	133302	133100	133302	133100
<i>Terminal Lug</i>	Qty.	18		18		9	1	10	1	18	1
	Part No.	121010		121010		121010	121012	121010	121012	121010	121012
Bus Bar Part No. 121011*	2'		2		3'		3		3'		

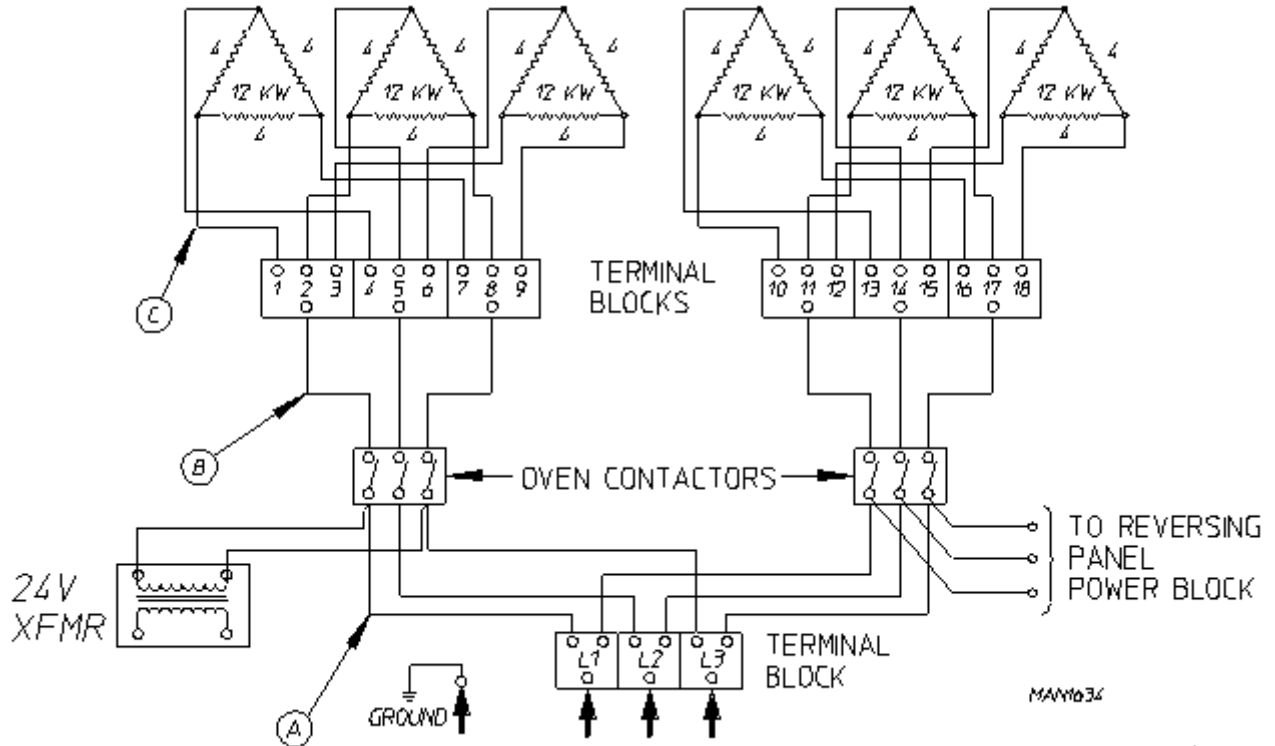
* Sold by the foot.

Volts	208		230		380		416		480		
Phase	3ø		3ø		3ø		3ø		3ø		
Wire	3		3		3 or 4		3 or 4		3 or 4		
Oven Assy. Part No.	881881		881882		881883		881884		881885		
<i>Elements</i>	Qty.	18		18		18		18		18	
	Size	4.5 Kw		4.5 Kw		4.5 Kw		4.5 Kw		4.5 Kw	
	Part No.	120047		120048		120022		120047		120048	
<i>Oven Wire</i>	Qty*	6'	25'	6'	25'	4'	25'	6'	25'	6'	25'
	Size	#2	#8	#2	#8	#1	#8	#1	#8	#2	#8
	Part No.	133302	133100	133302	133100	133301	133100	133301	133100	133302	133100
<i>Terminal Lug</i>	Qty.	18		18		11	1	18		18	
	Part No.	121010		121010		121010	121012	121010		121010	
Bus Bar Part No. 121011*	8'		8'		11'		11'		11'		

* Sold by the foot.

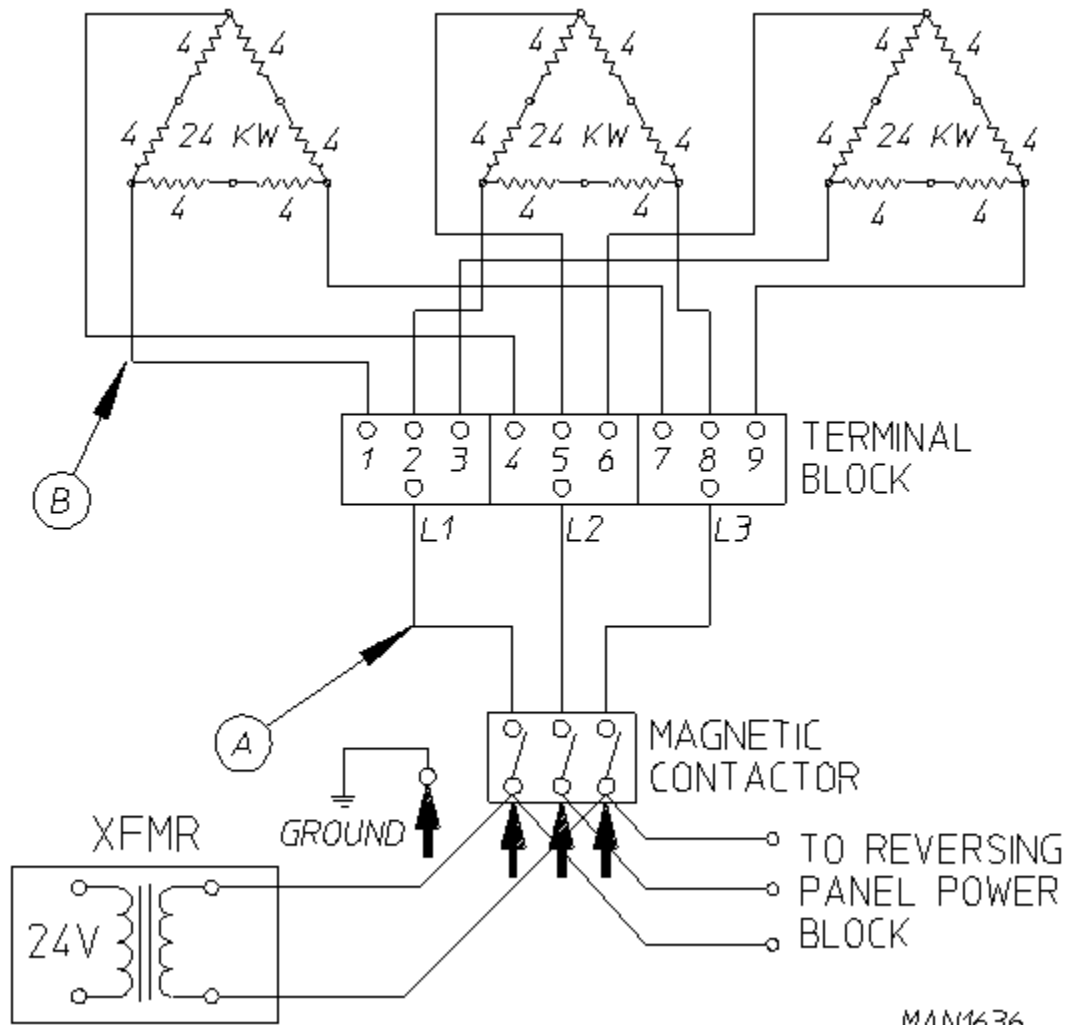
72 Kw - 208-240 VAC - 3 ϕ - 50/60 Hz

MLE-130 (72KW) ELECTRIC OVEN POWER DISTRIBUTION
(72 Kw - 208-240 VAC - 3 ϕ - 50/60 Hz)



Electric Service	Qty. Elements	Element Part Number	Oven Amps	Wire Size			Contactor	24 VAC Step Down Transformer
				A	B	C		
208v / 3 ϕ / 3, 4w	18	120008	200	2	2	8	131385	132004
240v / 3 ϕ / 3, 4w	18	120009	174	2	2	8	131385	132004

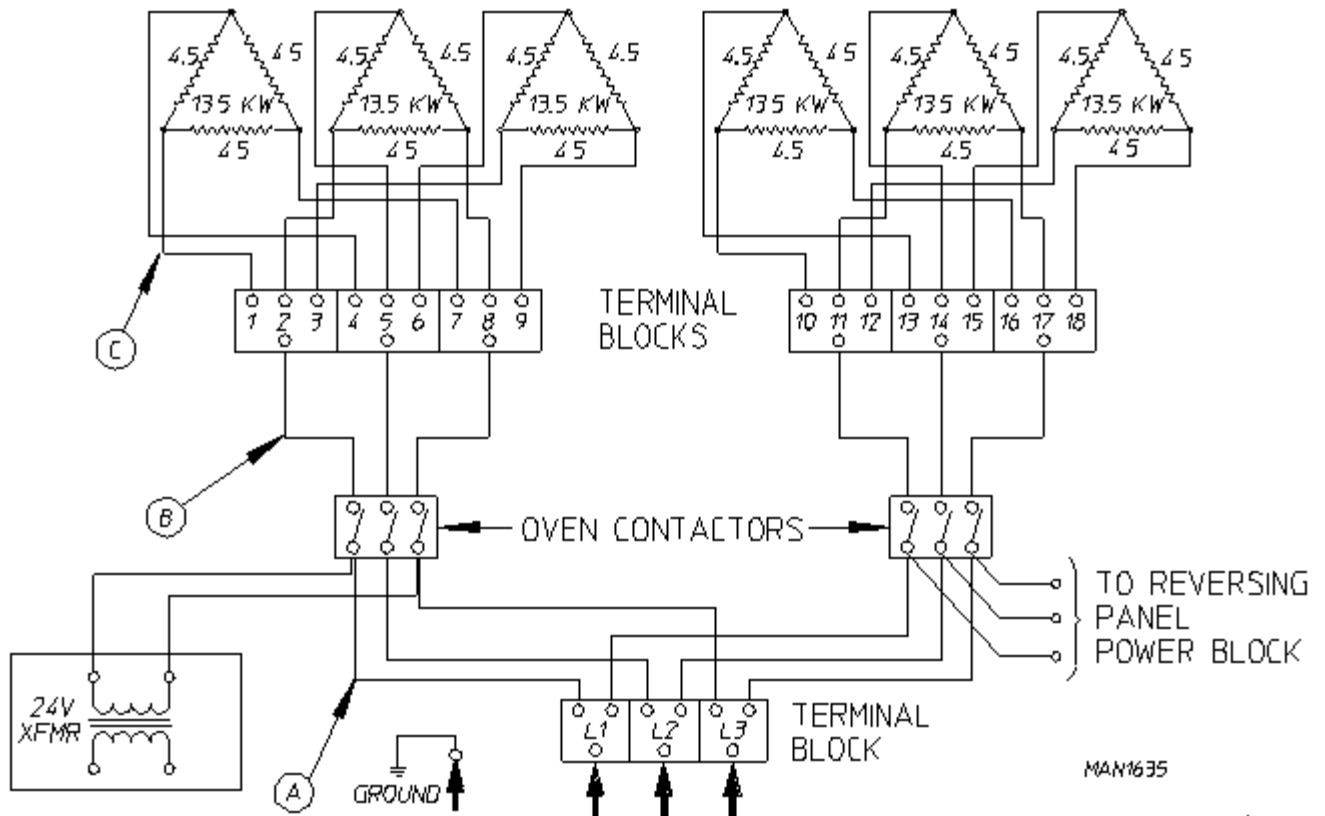
MLE-130 (72KW) ELECTRIC OVEN POWER DISTRIBUTION
(72 Kw - 380-416/480 VAC - 3ø - 50/60 Hz)



Electric Service	Qty. Elements	Element Part Number	Oven Amps	Wire Size		Contactor	24 VAC Step Down Transformer
				A	B		
380v / 3ø / 3, 4w	18	120044	110	2	8	131385	132004
416v / 3ø / 3, 4w	18	120008	100	2	8	131385	132004
480v / 3ø / 3, 4w	18	120009	87	2	8	131385	132004

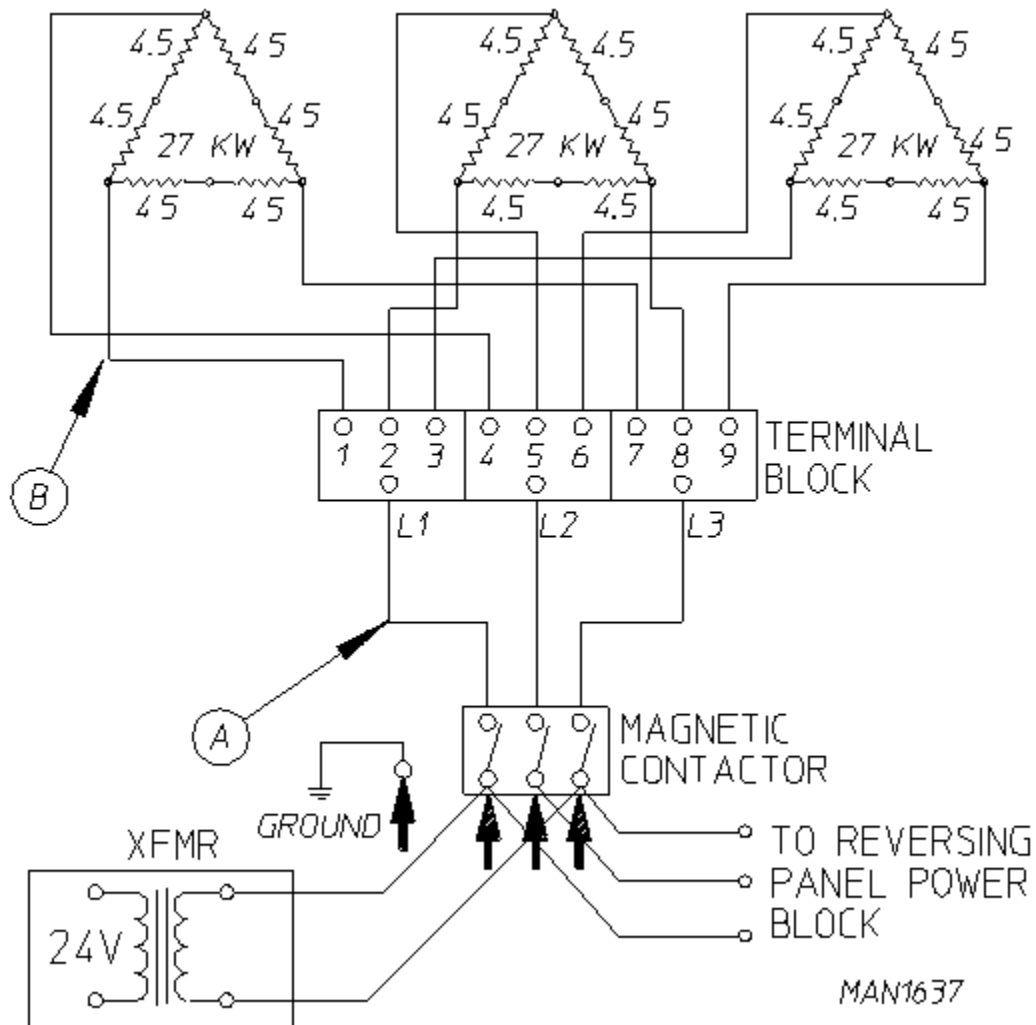
80 Kw - 208-240 VAC - 3ø - 50/60 Hz

MLE-130 (80KW) ELECTRIC OVEN POWER DISTRIBUTION
(80 Kw - 208-240 VAC - 3ø - 50/60 Hz)



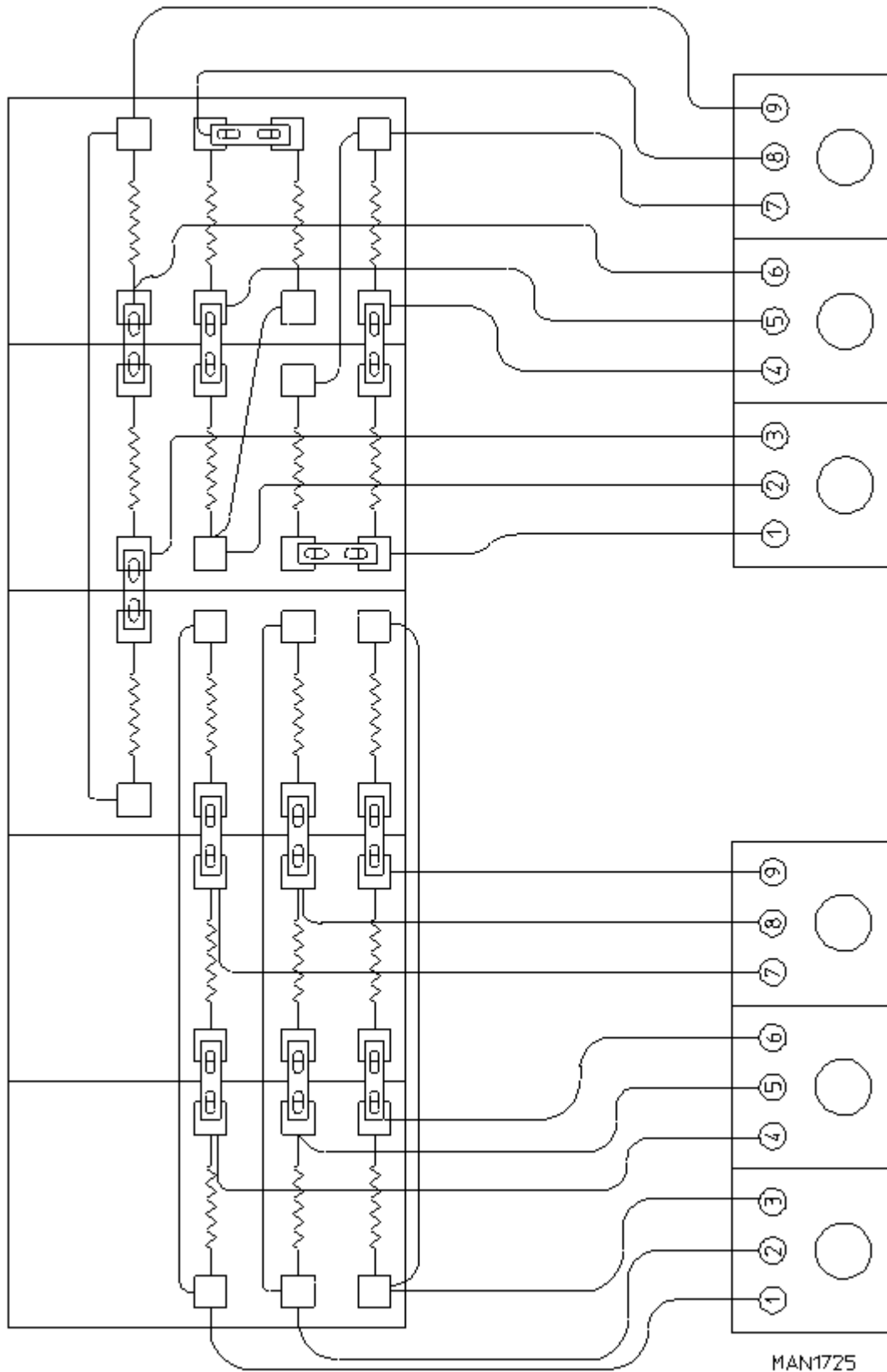
Electric Service	Qty. Elements	Element Part Number	Oven Amps	Wire Size			Contactor	24 VAC Step Down Transformer
				A	B	C		
208v / 3ø / 3, 4w	18	120047	222	2	2	8	131385	132004
240v / 3ø / 3, 4w	18	120048	193	2	2	8	131385	132004

MLE-130 (80KW) ELECTRIC OVEN POWER DISTRIBUTION
(80 Kw - 380-416/480 VAC - 3ø - 50/60 Hz)

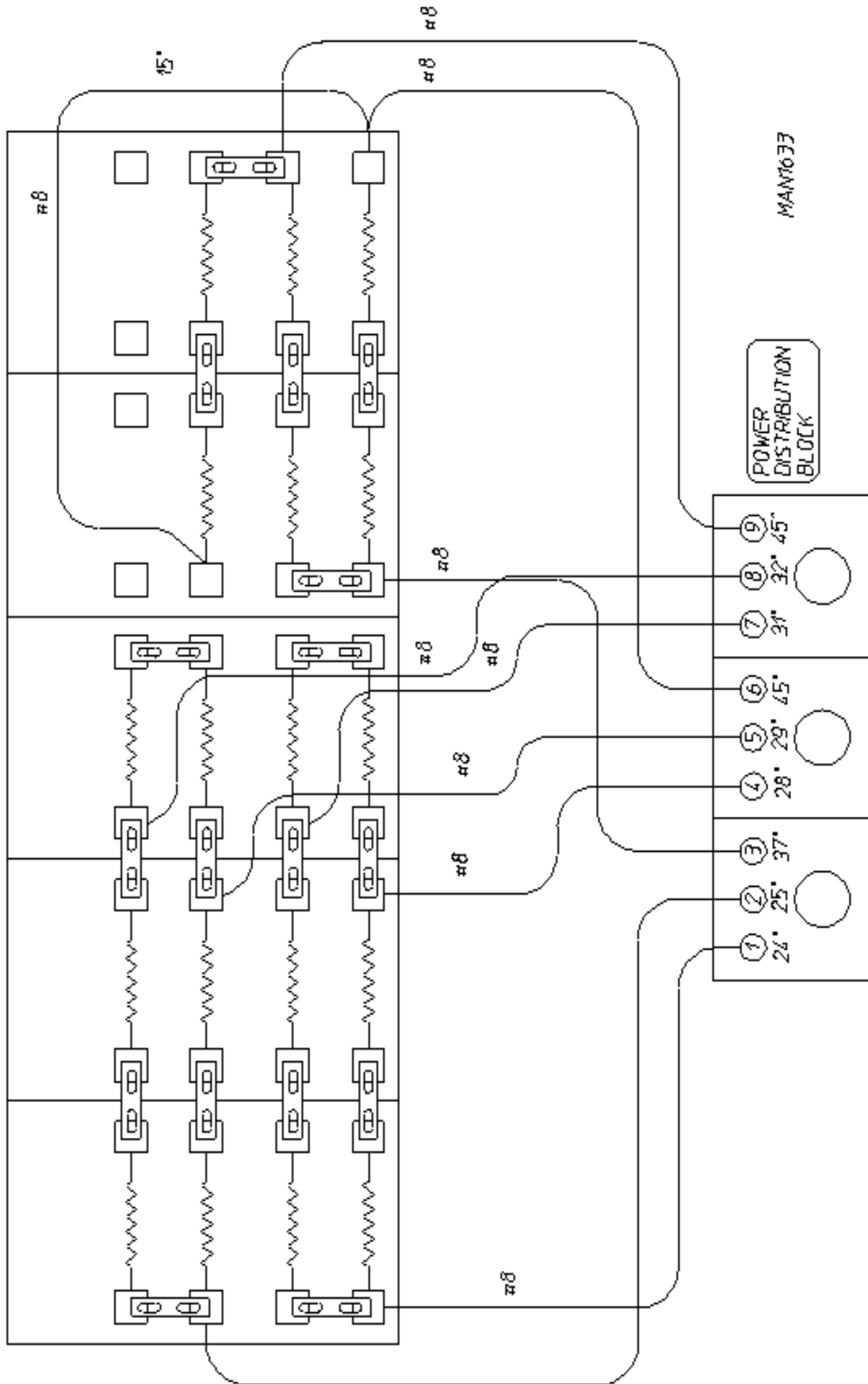


Electric Service	Qty. Elements	Element Part Number	Oven Amps	Wire Size		Contactor	24 VAC Step Down Transformer
				A	B		
380v / 3ø / 3, 4w	18	120022	122	1	8	131385	132004
416v / 3ø / 3, 4w	18	120047	111	1	8	131385	132004
480v / 3ø / 3, 4w	18	120048	96.3	2	8	131385	132004

72/80 Kw - 208-240 VAC - 3 ϕ - 50/60 Hz



72/80 Kw - 380-416/480 VAC - 3 ϕ - 50/60 Hz



<u>Part No.</u>	<u>Description</u>
112098	"Check Rotation" Label
112025	"CAUTION - Disconnect Supply" Label
114046	"Manual Hi-Limit Reset" Label
114051	"Phase 6 Computer 'A - B' Factor" Label
114076	"Grease Instruction" Label
120100	3/8" Straight (BX) Connector
120300	3/8" x 45° (BX) Connector
120400	3/8" Red Jacket (BX) Insulator
120500	3/8" Jiffy Clip (BX Retainer Clip)
120600	3/8" Greenfield (BX)
120800	1/4" In-Line Connector
120802	Red Butt Connector
120902	#74B Wire Nut
120903	Crimp-on Wire Nut
121014	1/4" Insulated (female) Terminal
121026	Tab Receptacle Combination
121499	4" Harness Tie
121500	7" Harness Tie
122503	Harness Tie Mounting Clip
122804	Manometer (water column test gauge)
121507	Snap Wire Tie Screw Mount
880200	Electrical Terminal (assortment) Kit

