

WASHER

Repair Parts List

MODEL NUMBER
MFS35PNDVS

When requesting service or ordering parts, always provide the following information:

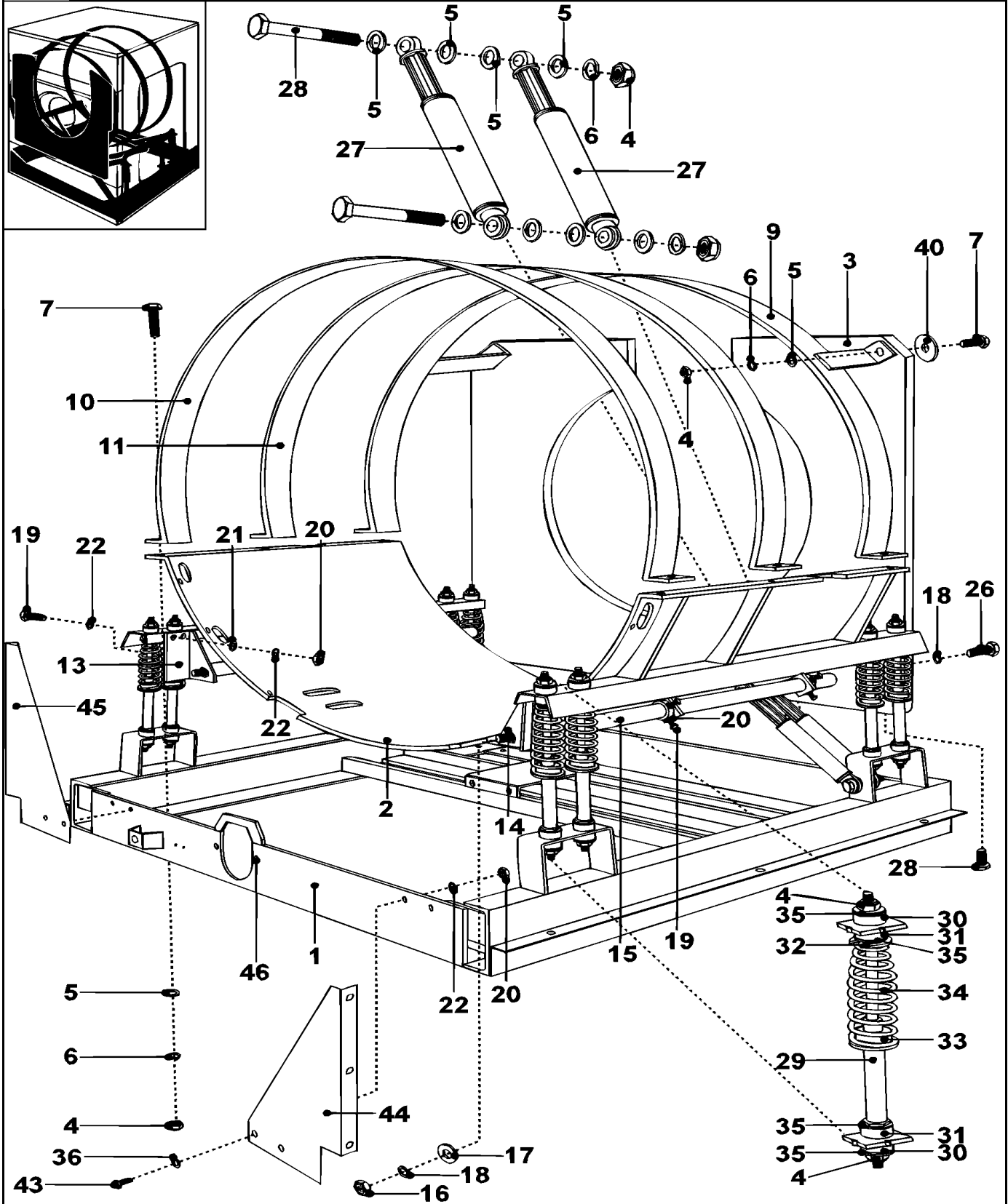
- Product Type
- Part Number
- Model Number
- Part Description

MAYTAG®

©2005 Maytag Services

Section: FRAME

Model: MFS35PNDVS



CW19-32

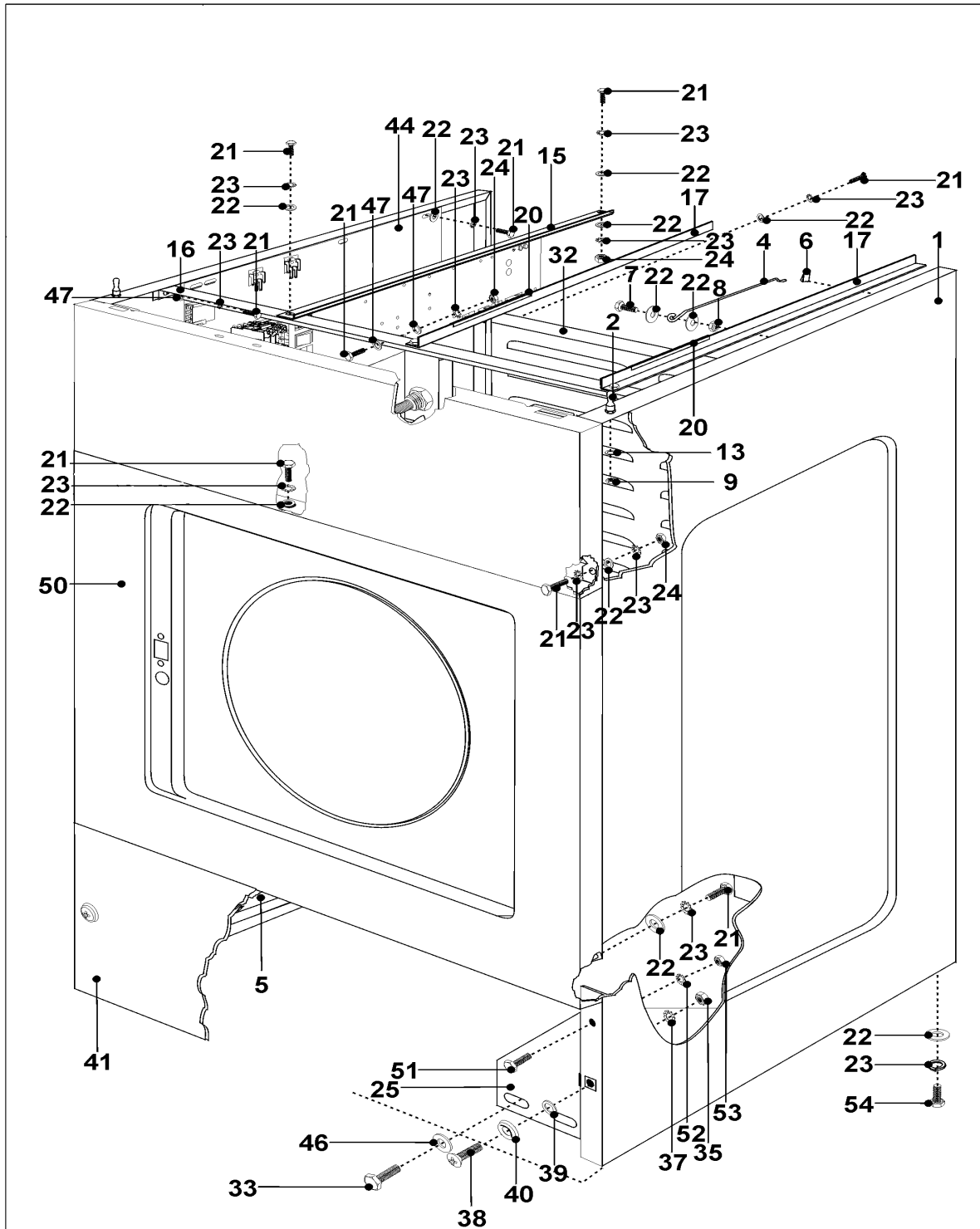
Section: FRAME

No.	Part No.	Description	Series	Qty
1	23003561	FRAME	10	1
2	23003562	BED, TUB	10	1
3	23003877	COUNTER WEIGHT FRONT	10	1
4	23001241	LOCKING NUT, SELF (M10) LU	10	16
5 N	23001399	WASHER (10.5)	10	18
6	23001400	LOCK WASHER, SPRING	10	16
7	23001425	BOLT (M10X50)	10	8
9	23003564	RING, SLIDING (FRT)	10	1
10	23003565	RING, SLIDING (REAR)	10	1
11	23003878	SLIDING RING MIDDLE	10	1
13	23003879	MOTOR HOLDER RIGHT	10	1
14	23003880	MOTOR HOLDER LEFT	10	1
16 N	23001848	NUT (M16)	10	4
17	23001912	WASHER	10	4
18	23001757	WASHER (16)	10	4
19	23001264	BOLT (M8X20)	10	4
20	23001266	NUT (M8)	10	4
21	23003491	WASHER (8.4)	10	4
22	23001265	WASHER (8)	10	4
26	23003569	SCREW (M16X40)	10	4
27	23002983	DAMPER (RD 12-2)	10	2
28	23003570	SCREW (M10X80)	10	2
29	23003451	LEG, SPRING	10	8
30	23003459	RUBBER (BLK-LWR) LU	10	16
31	23003456	RUBBER (BLK-UPR)	10	16
32	23003454	HOLDER, SPRING (UPR) LU	10	8
33	23003465	HOLDER, SPRING (LWR)	10	8
34	23003457	SPRING (RED)	10	8
35	23003455	WASHER	10	4
36	23001263	WASHER (8.4)	10	8
40	23001282	WASHER (DIA. 37 X 13 X 3)	10	8
43	23001388	BOLT (M8 X 40)	10	8
44	23003881	PANEL HOLDER LEFT	10	2
45	23003882	PANEL HOLDER RIGHT	10	2
46	23003573	NUT, RIVETING (M6)	10	2

*Color Code (-)=Not Shown #=Series, Serial Prefix or Run No., N=Not Available

Section: CABINET

Model: MFS35PNDVS



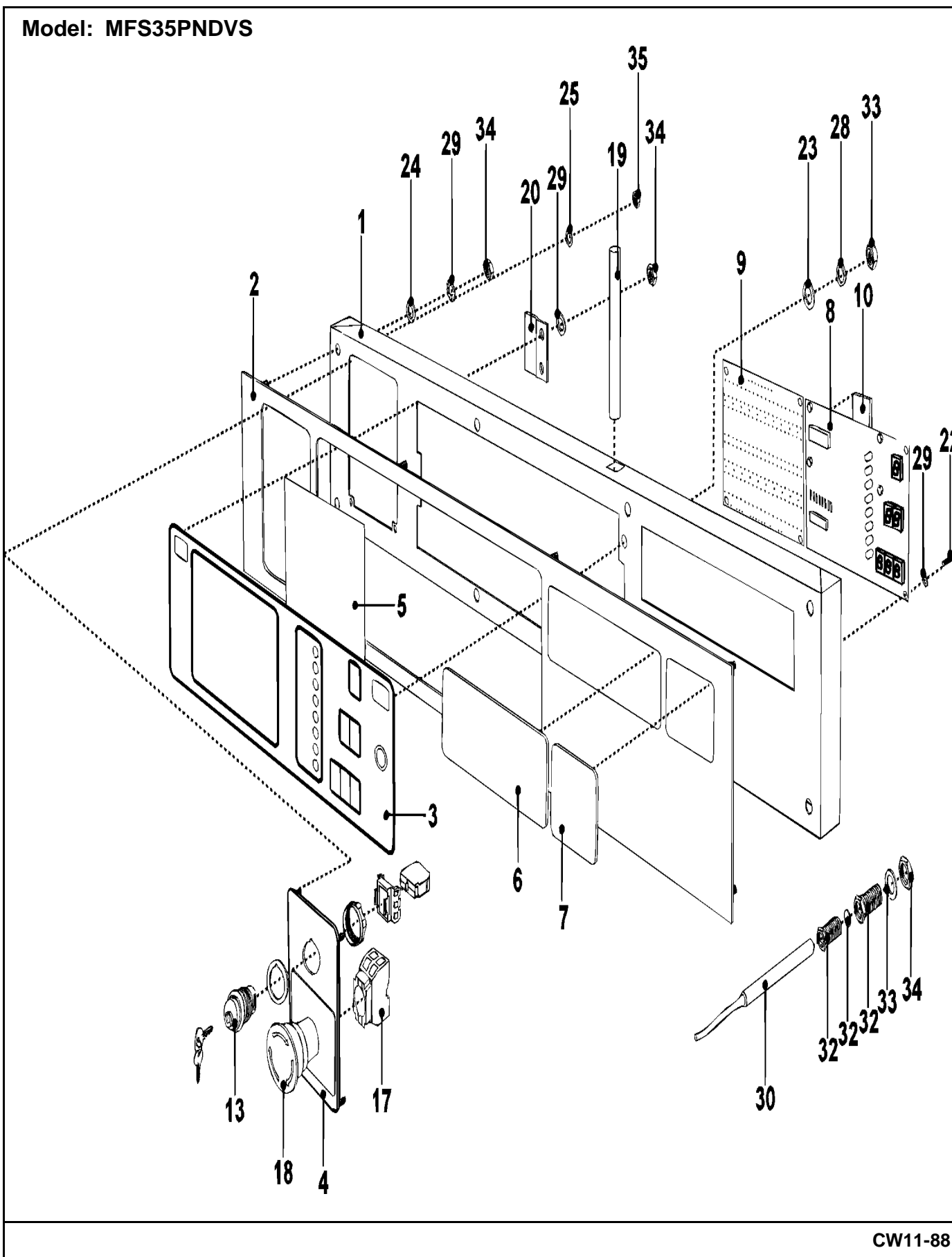
Section: CABINET

No.	Part No.	Description	Series	Qty
1	23003574	PANEL, SIDE (RT)	10	1
1	23003575	PANEL, SIDE (LT)	10	1
2	23001332	PIN, SRV	10	2
4	23001330	SUPPORT ROD, TOP PANEL	10	2
5	23001567	SHEET, ANTI-VIBRATION	10	1
6	23002454	HOOK	10	2
7	23001444	BOLT (M6X30)	10	4
8	23001310	NUT, SELF LOCKING (M6)	10	4
9	23001334	NUT (M5) LU	10	2
13	23001333	LOCK WASHER (M5) LU	10	2
15	23003883	HOLDER CONTACTOR BOX	10	1
16	23003884	CROSS HOLDER	10	1
17	23003885	HOLDER SOAP HOPPER	10	1
20	23002473	RUBBER, PROTECTIVE	10	1
21	23001026	BOLT (M6 X 16)	10	18
22	23001159	WASHER (DIA. 14X8.6X1 STNLS)LU	10	18
23	23003580	WASHER (M6)	10	24
24	23001034	NUT (M6)	10	18
25	23003886	REINFORCEMENT HOOK SIDE PANEL	10	2
32	23003582	PANEL, REAR	10	1
33	23003593	SCREW (M8X25)	10	8
35	23001266	NUT (M8)	10	8
37	23001265	WASHER (8)	10	8
38	23001336	SCREW (M6 X 50)	10	8
39	23001338	WASHER, FIBER (DIA. 15X7X3)	10	8
40	23001337	WASHER, FINISHING	10	4
41	23003619	PANEL, SERVICE	10	1
44	23003887	CONTACTOR BOX 2-MOTORS	10	1
46	23001263	WASHER (8.4)	10	8
47	23001159	WASHER (DIA. 14X8.6X1 STNLS)LU	10	8
50	23003888	FRONT PANEL	10	1

*Color Code (-)=Not Shown #=Series, Serial Prefix or Run No., N=Not Available

Section: CONTROL PANEL

Model: MFS35PNDVS



CW11-88

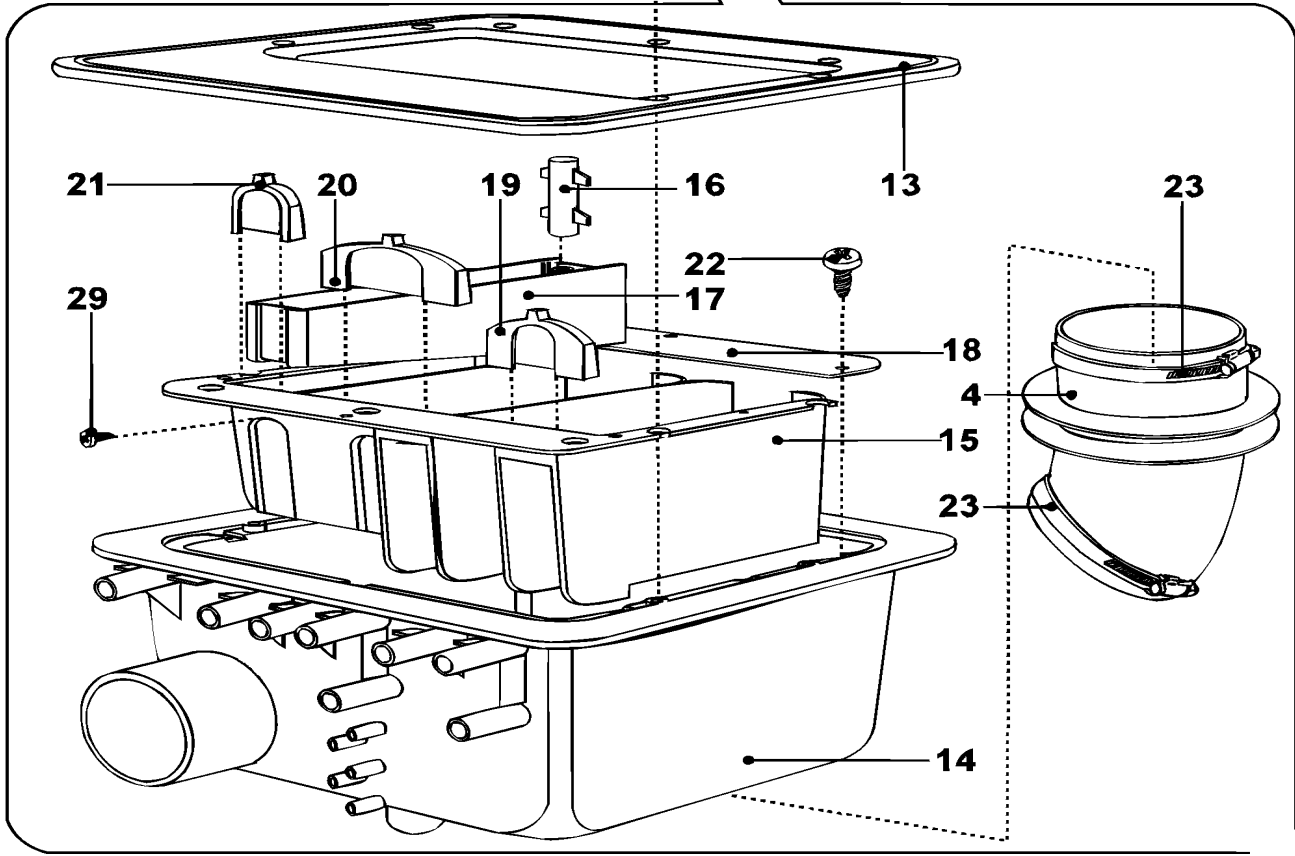
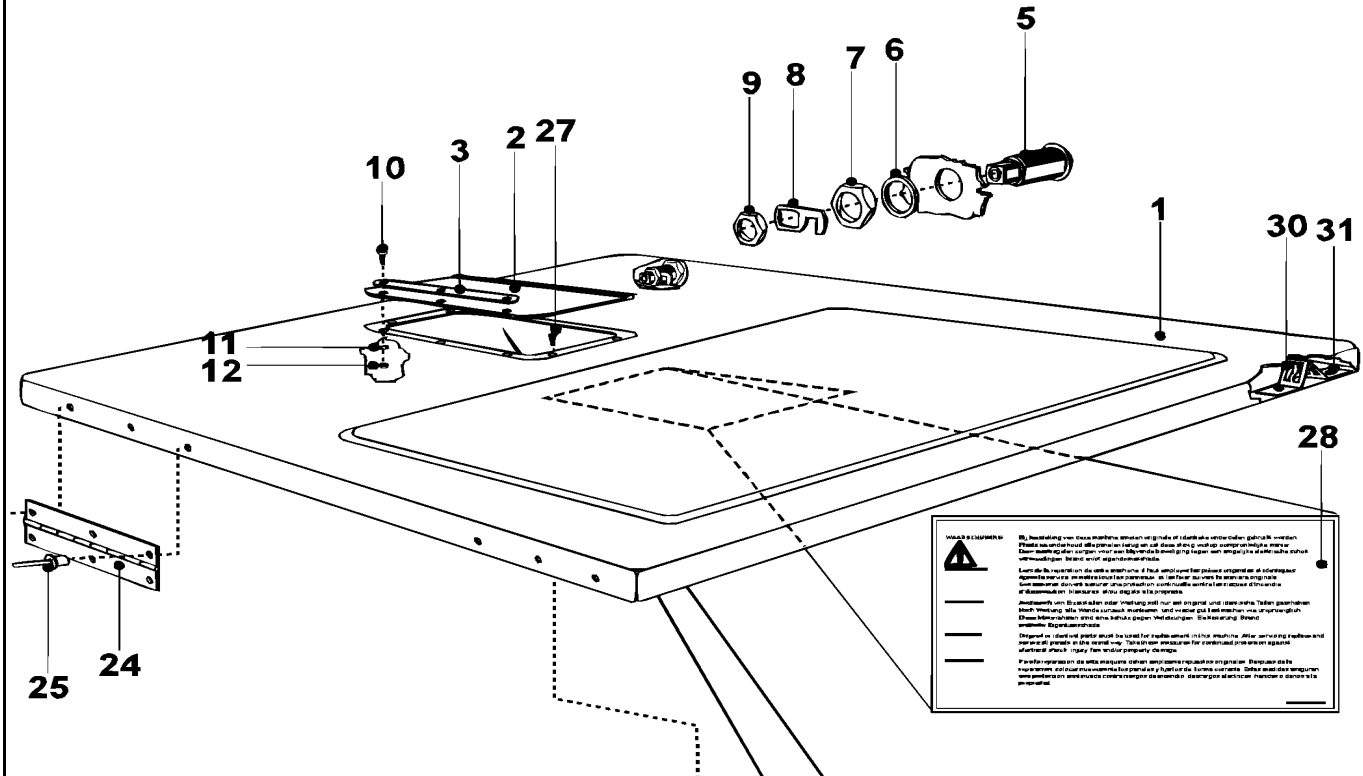
Section: CONTROL PANEL

No.	Part No.	Description	Series	Qty
1	23003889	CONTROL PANEL	10	1
2	23003910	FACIA PANEL	10	1
3	23003890	KEYBOARD FULL CONTROL	10	1
4	N 23002517	PLATE, INDEX (PRIMUS)	10	1
5	N 23002517	PLATE, INDEX (PRIMUS)	10	1
6	N 23002517	PLATE, INDEX (PRIMUS)	10	1
8	23003820	MICROPROCESSOR CONTROL(MCB40LU	10	1
9	23003819	POWER BOARD	10	1
10	23003894	CHIP FULL CONTROL MCB40	10	1
13	23001082	BLOCK, PROGRAMMING KEY	10	1
17	23002331	CONTACTOR, CENTRAL STOP	10	1
18	23002332	KNOB, CENTRAL STOP	10	1
19	23003895	PIN PVC	10	1
20	23003871	BRACKET, Z	10	1
22	23001131	SCREW (M3 X 14 CROSS RECESSED)	10	4
23	23001708	WASHER (5.3)	10	4
24	23001056	WASHER (4.3)	10	2
28	23001028	LOCK WASHER EXTERNAL TEETHM6LU	10	4
29	23001013	LOCK WASHER EXTERNAL TEETH M4	10	6
30	23003831	SENSOR, TEMPERATURE	10	1
32	23003807	HOLDER THERMOSTAT SENSOR	10	1
33	23002179	WASHER	10	1
34	23002936	NUT, SENSOR BUSHING	10	7
35	23001053	NUT (M3)	10	2

*Color Code (-)=Not Shown #=Series, Serial Prefix or Run No., N=Not Available

Section: TOP COVER/SOAP HOPPER

Model: MFS35PNDVS



CW16-26

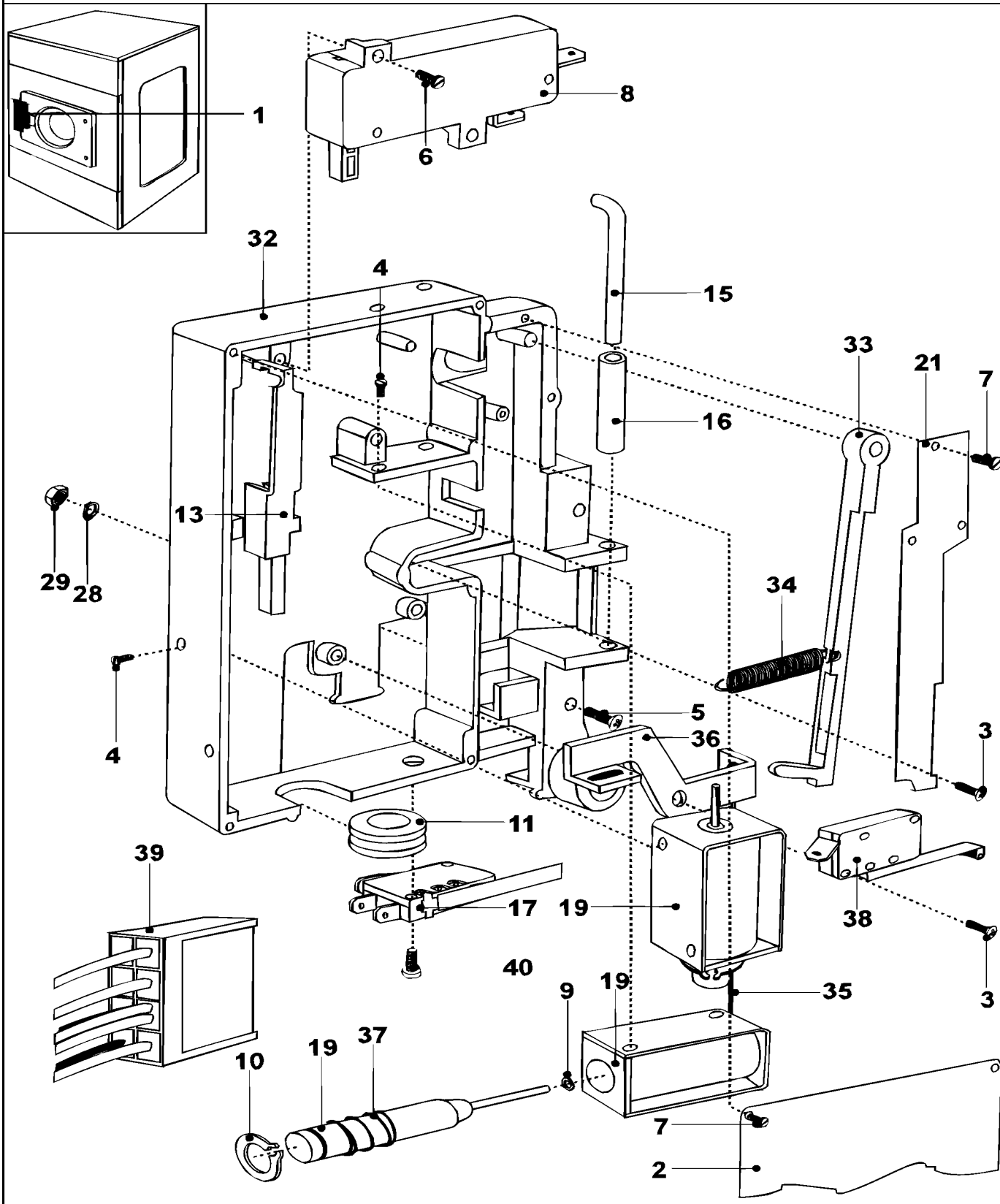
Section: TOP COVER/SOAP HOPPER

No.	Part No.	Description	Series	Qty
1	23003623	COVER, TOP	10	1
2	23001003	RUBBER COVER, SOAP BOX	10	1
3	23001004	CLAMP, SOAP BOX COVER	10	1
4	23003482	HOSE, SOAP HOPPER	10	1
5	23001006	LOCK, TOP PANEL	10	1
6	23001007	WASHER, FIBER	10	1
7	23001008	LOCK NUT (LARGE)	10	1
8	23001009	LOCK HOOK (SHORT)	10	1
9	23001011	NUT	10	1
10	23001012	SCREW (M4 X 12 STNLS STEEL)	10	3
11	23001636	WASHER	10	3
12	23001014	NUT (M4)	10	3
13	23001015	RUBBER SEAL, SOAP BOX	10	3
14	23001016	SOAP BOX HOUSING	10	1
15	23001017	SOAP BOX INSERT	10	1
16	23001018	SIPHON	10	1
17	23001019	TRAY	10	1
18	23001020	COVER, PLATE	10	1
19	23001021	DRAWER, PREWASH	10	1
20	23001022	DRAWER, MAIN WASH	10	1
21	23001023	DRAWER, LAST RINSE	10	4
22	23001024	SCREW	10	3
23	23001025	CLAMP, HOSE (DIA 90/110)	10	2
24	23003624	HINGE	10	2
25	23001461	RIVETS, BLIND	10	4
27	23003484	SCREW (M5X16)	10	6
28	23001550	LABEL, EARTH	10	1
29	23002318	SCREW, PAN HEAD (SLOTTED)	10	4
30	23001032	CLAMP, SRV	10	2
31	23001033	RIVETS, BLIND (DIA. 3.2 X 8)LU	10	4

*Color Code (-)=Not Shown #=Series, Serial Prefix or Run No., N=Not Available

Section: DOOR LOCK

Model: MFS35PNDVS



CW10-66

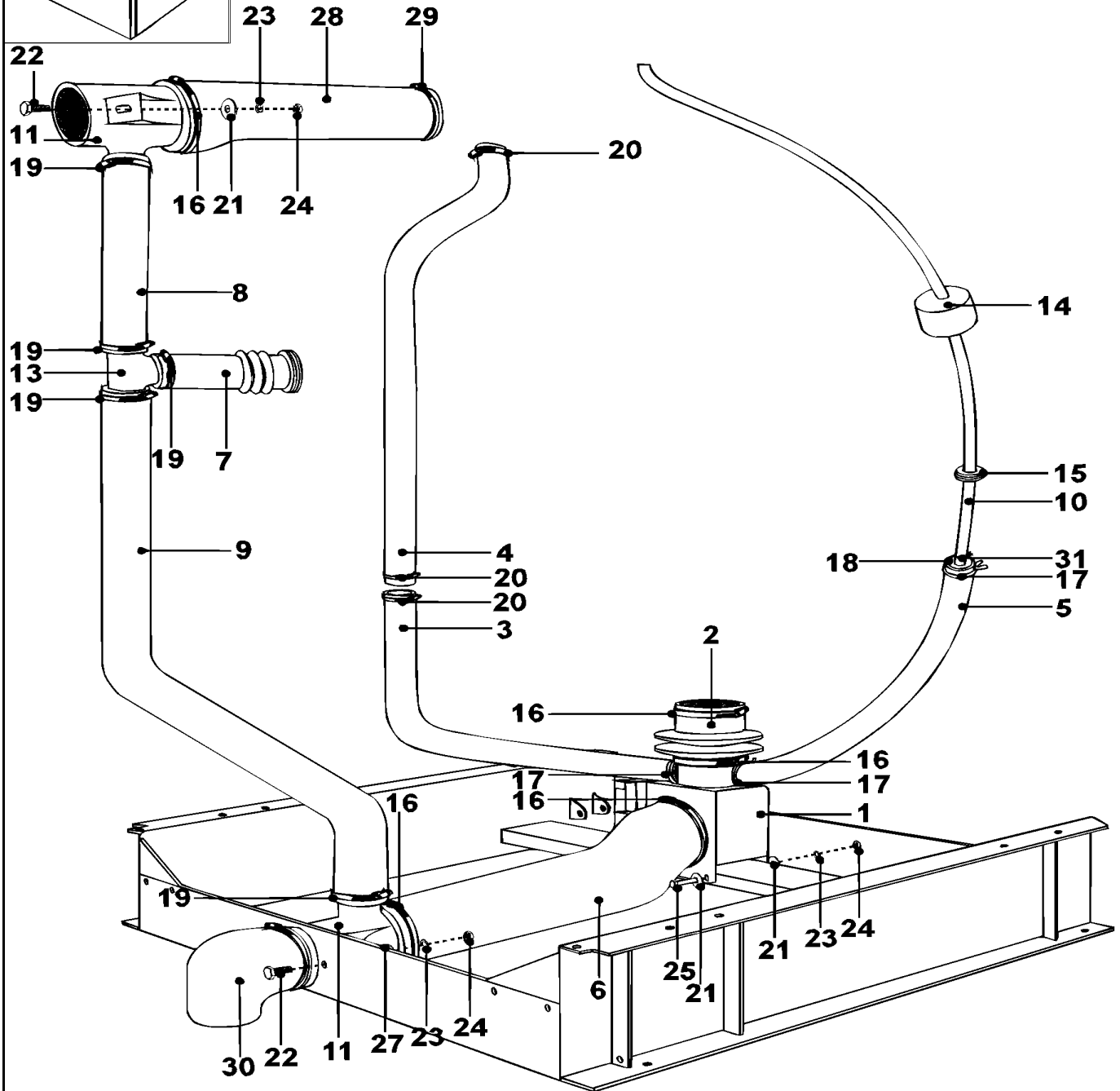
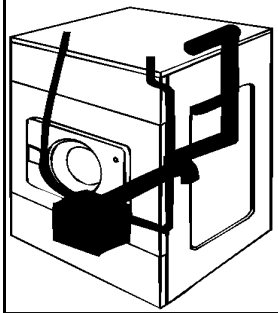
Section: DOOR LOCK

No.	Part No.	Description	Series	Qty
1	Y23002897	LOCK, DOOR (COMPLETE)	10	1
2	23001130	PLATE, COVER (STNLS STEEL)	10	1
3	23001633	SCREW (M3X16)	10	3
4	23001132	SCREW (M3 X 4 CROSS RECESSED)	10	3
5	23001133	SCREW (M5 X 25 STAINLESS STEEL)	10	6
6	23001070	SCREW (M4X10)	10	4
7	23001134	BOLT (M3 X 6)	10	4
8	23001135	BIMETAL, ACTUATOR (230V)	10	1
9	23001136	WASHER (DIA. 5.1 X 3.3 X 0.1)	10	4
10	23001137	RING, RETAINING (G10)	10	1
11	23001138	BUSHING, CABLE PASSAGE	10	1
13	23001140	BAR, LOCKING	10	1
15	23001142	RETAINER, LOCK TUBE (DIA.4X45)	10	1
16	23001143	LOCK TUBE (DIA. 4X23.5 STNLS)	10	1
17	23001145	MICROSWITCH, LONG LEVER	10	1
19	23001146	COIL (240V)	10	3
21	23001149	LEAF SPRING, LATCH BAR	10	1
28	23001333	LOCK WASHER (M5) LU	10	4
29	23001334	NUT (M5) LU	10	4
32	Y23002898	GROUND, PLATE LOCK	10	1
33	23002899	HANDLE, LOCKING PART	10	1
34	23002900	SPRING, LOCKING PART	10	1
35	23002901	CORD, OPENING	10	1
36	23001153	LEVER, EMERGENCY OPENING	10	1
37 N	23002902	LEVEL, OPENING	10	1
38	23002337	MICROSWITCH W/ ROLLER ARM	10	1
39	23002905	WIRING, DOOR LOCK	10	1
40	23002906	SCREW (M3X25)	10	1

*Color Code (-)=Not Shown #=Series, Serial Prefix or Run No., N=Not Available

Section: WATER SYSTEM

Model: MFS35PNDVS



CW21-167

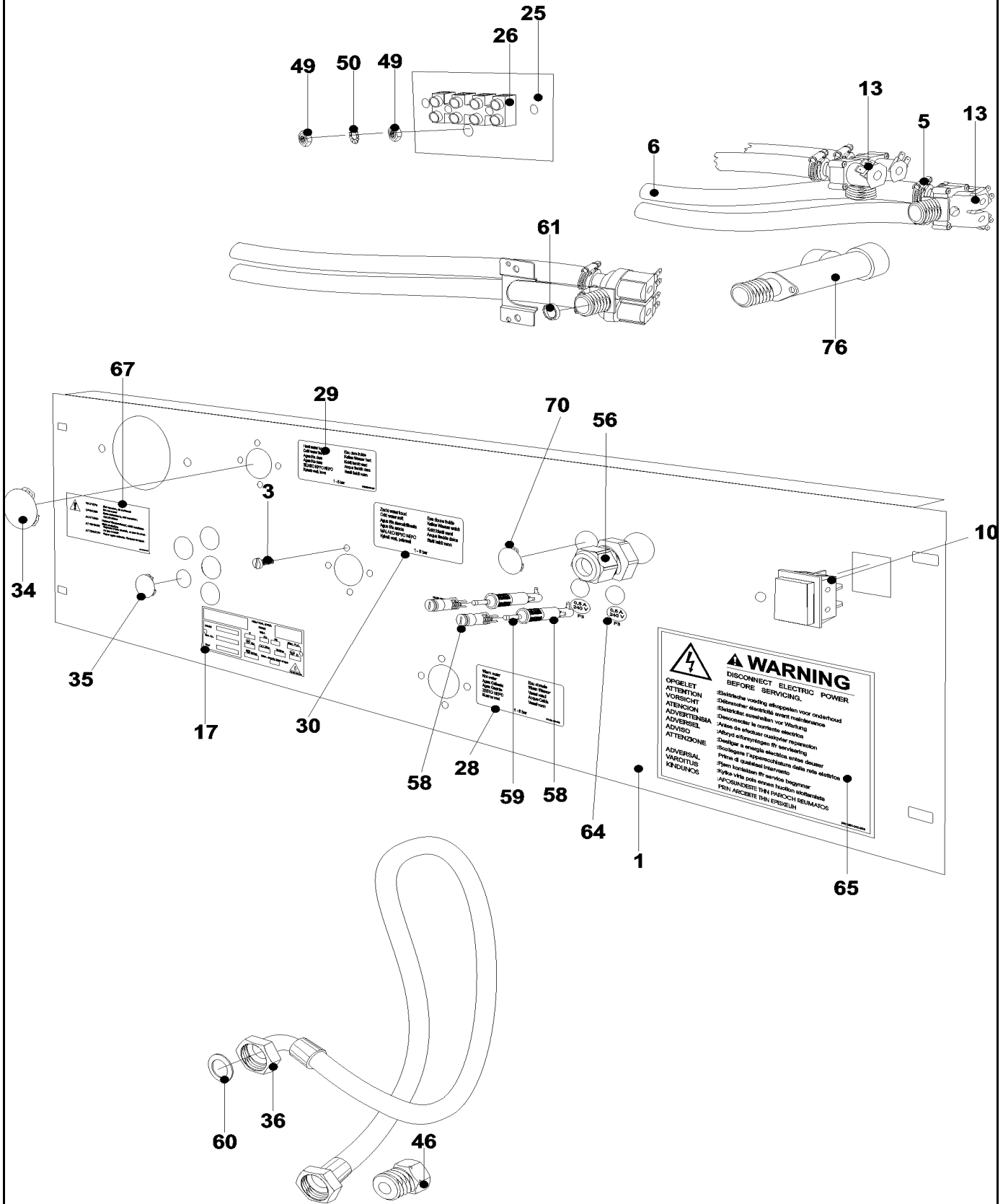
Section: WATER SYSTEM

No.	Part No.	Description	Series	Qty
1	23001244	VALVE, DRAIN (240V-50/60HZ)	10	1
2	23001245	HOSE, TUB	10	1
3	23001549	HOSE, OUTLET (SOAPHOPPER) LU	10	1
4	23001549	HOSE, OUTLET (SOAPHOPPER) LU	10	1
5	23002018	ELBOW	10	1
6	23001248	HOSE, DRAIN	10	1
7	23001250	HOSE, AIR VENT	10	1
8	23001251	HOSE, OVERFLOW	10	1
9	23001251	HOSE, OVERFLOW	10	1
10	23001252	HOSE, WATER LEVEL SWITCH	10	1
11	23001253	DRAIN TEE	10	1
13	23001255	TEE, OVERFLOW HOSE	10	1
14	23003486	CELL, OPEN	10	1
15	23003487	WASHER, RUBBER	10	1
16	23001258	CLAMP, HOSE (70-90)	10	6
17	23001259	CLAMP, CORBIN (A17.5)	10	4
18	23001257	CLAMP, CORBIN (A5.5)	10	1
19	23001750	RING, CLAMP (40-60)	10	4
20	23001262	CLAMP, HOSE (20-32)	10	4
21	23001263	WASHER (8.4)	10	8
22	23003593	SCREW (M8X25)	10	4
23	23001265	WASHER (8)	10	4
24	23001266	NUT (M8)	10	4
25	23001267	BOLT (M8 X 120)	10	5
26	23001260	BUSHING, AIR DOME HOSE	10	1
27	23003491	WASHER (8.4)	10	4
28	23001254	AIR VENT HOSE, SOAP BOX	10	1
29	23001258	CLAMP, HOSE (70-90)	10	4
30	23001268	HOSE, DRAIN (90 DIA.)	10	1
31 N	23003492	RING, CORBIN	10	2

*Color Code (-)=Not Shown #=Series, Serial Prefix or Run No., N=Not Available

Section: REAR PANEL

Model: MFS35PNDVS



CW22-1

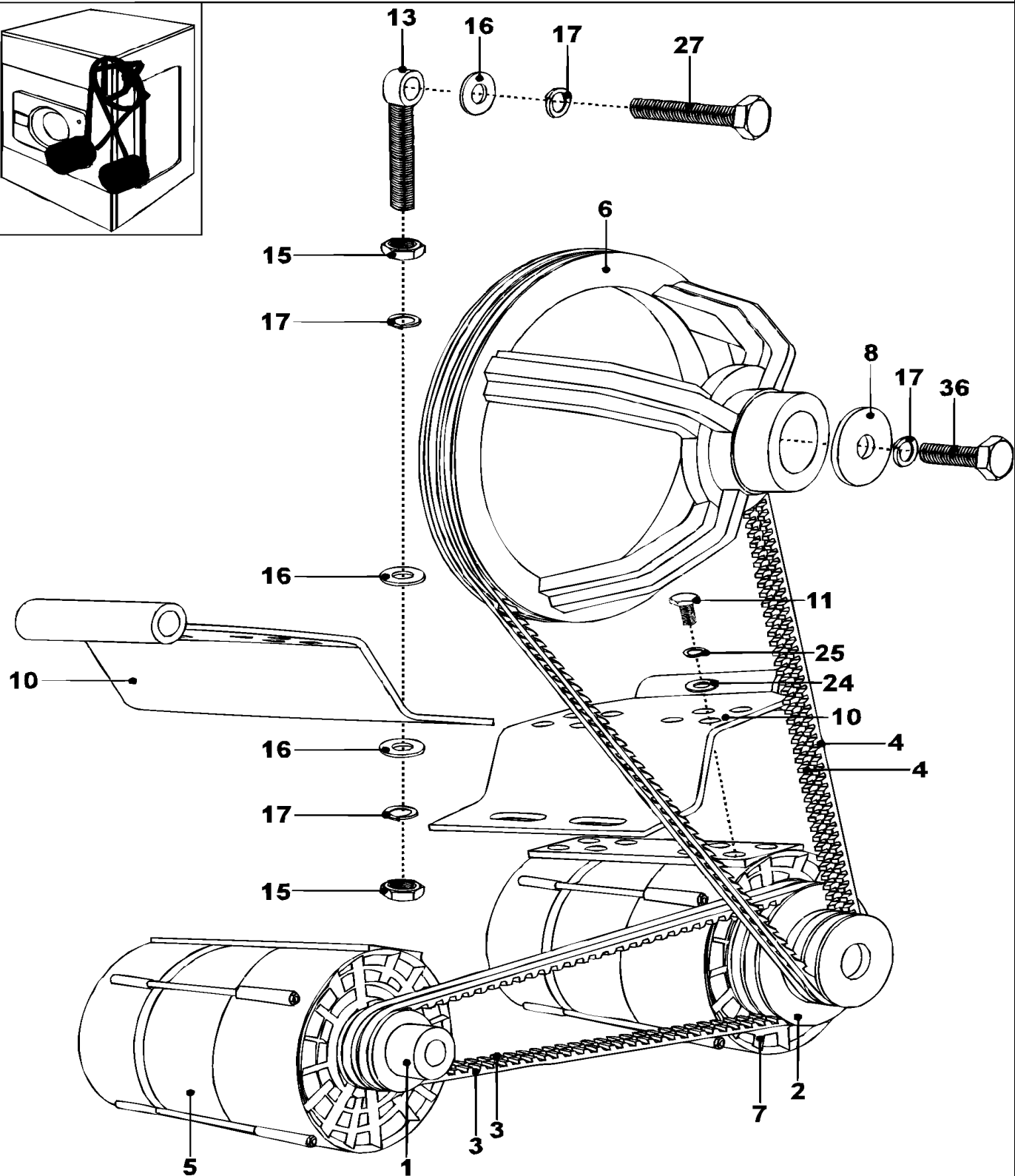
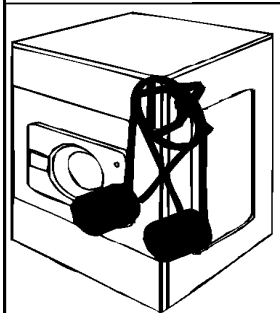
Section: REAR PANEL

No.	Part No.	Description	Series	Qty
1	23003625	PANEL, REAR	10	1
3	23003626	SCREW (M4X6)	10	4
5	23001506	CLAMP, HOSE	10	6
6	23001507	WATERHOSE (GREEN)	10	1
10	23001452	PLUG (WHT)	10	1
13	23001455	VALVE, TWO WAY (220V 50/60HZ)	10	3
17	23003494	PLATE, SERIAL	10	1
25	23001115	INSULATION PAPER	10	1
26	23002923	BOARD, TERMINAL	10	1
28	23001469	STICKER, HOT WATER	10	1
29	23001471	STICKER, COLD SOFT WATER	10	1
30	23001470	STICKER, COLD HARD WATER	10	1
34	23001476	PLUG, WATER INLET	10	1
35 N	23002794	PLUG (13)	10	5
36	23001486	HOSE, CONNECTION	10	2
46	23001477	ADAPTER (3/4" PIPE TO 3/4" HOS	10	2
49	23001312	NUT (M6)	10	6
50	23001313	WASHER (6.4)	10	3
56	23002211	SWIVEL, CABLE	10	1
58	23001462	HOLDER, FUSE	10	2
59	23002919	FUSE (5A)	10	2
60	23002921	WASHER, FILL HOSE	10	2
61	23003498	FILTER, VALVE	10	3
64 N	23001473	STICKER (1A)	10	2
65	23001465	STICKER, ELECTRICITY WARNING	10	1
67	23002053	LABEL, WARNING VENT OUT	10	1
70	23001476	PLUG, WATER INLET	10	1
76	23002924	T-PART (3/4)	10	1

*Color Code (-)=Not Shown #=Series, Serial Prefix or Run No., N=Not Available

Section: TWO MOTOR DRIVE

Model: MFS35PNDVS



CW23-1

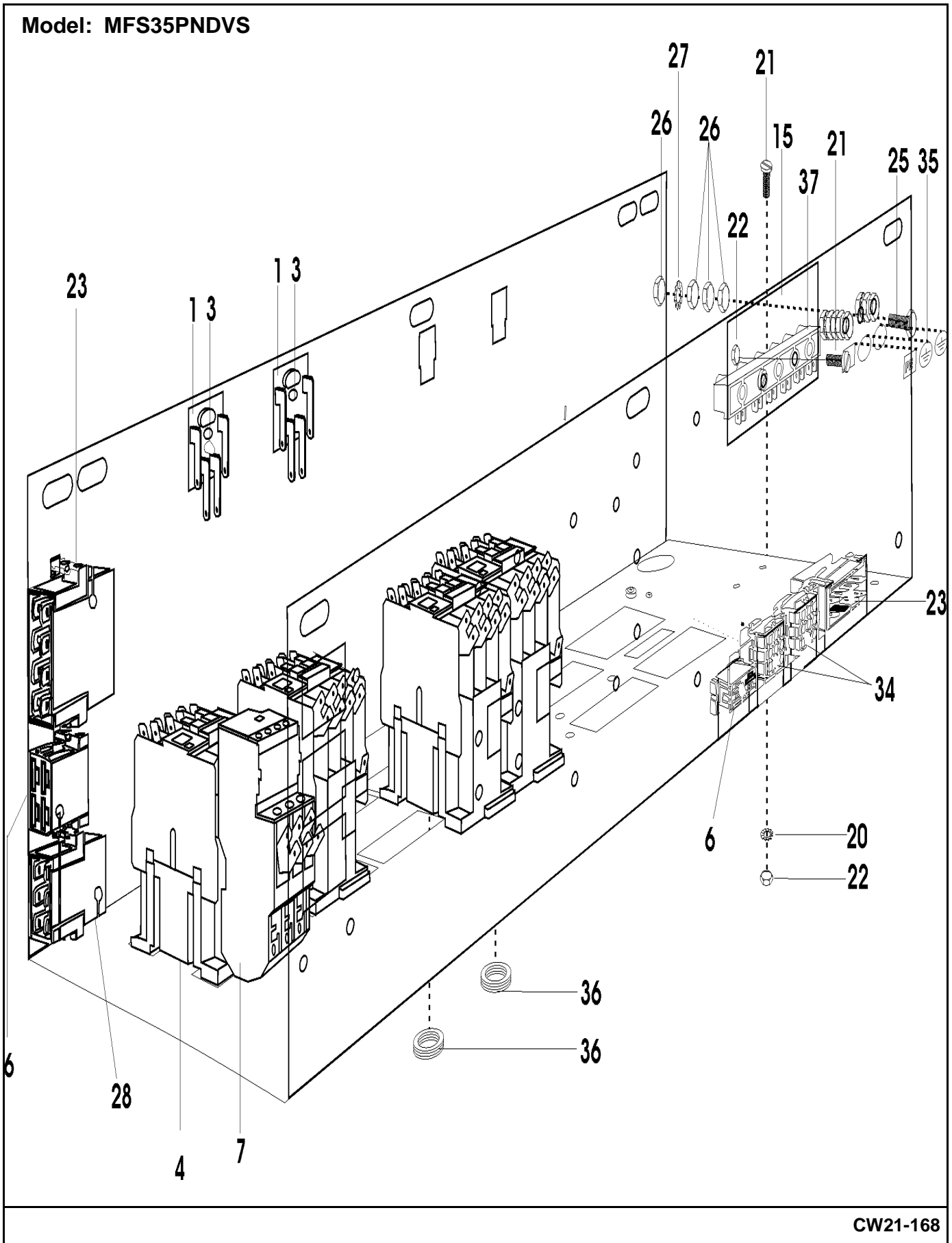
Section: TWO MOTOR DRIVE

No.	Part No.	Description	Series	Qty
1	23003583	V-PULLEY I	10	1
2	23003585	V-PULLEY II (60HZ)	10	1
2	23003584	V-PULLEY II (50HZ)	10	1
3	23003586	V-BELT II (XPZ 1137 LW)	10	2
4	23003587	V-BELT II (SPZ 1562 LW)	10	4
5	23003589	MOTOR (60HZ)	10	1
6	23003590	V-PULLEY	10	1
7	23003589	MOTOR (60HZ)	10	1
8	23003591	WASHER	10	1
10	23003896	MOTOR PLATE	10	1
11	23003593	SCREW (M8X25)	10	3
13 N	23002121	SCREW (M16X110)	10	1
15 N	23001848	NUT (M16)	10	2
16	23003594	WASHER	10	3
17	23001757	WASHER (16)	10	3
24	23003491	WASHER (8.4)	10	4
25	23001265	WASHER (8)	10	4
27	23003595	SCREW (M16X60)	10	1
36	23003596	SCREW (M16X30)	10	1

*Color Code (-)=Not Shown #=Series, Serial Prefix or Run No., N=Not Available

Section: INTERNAL CONTROLS

Model: MFS35PNDVS



CW21-168

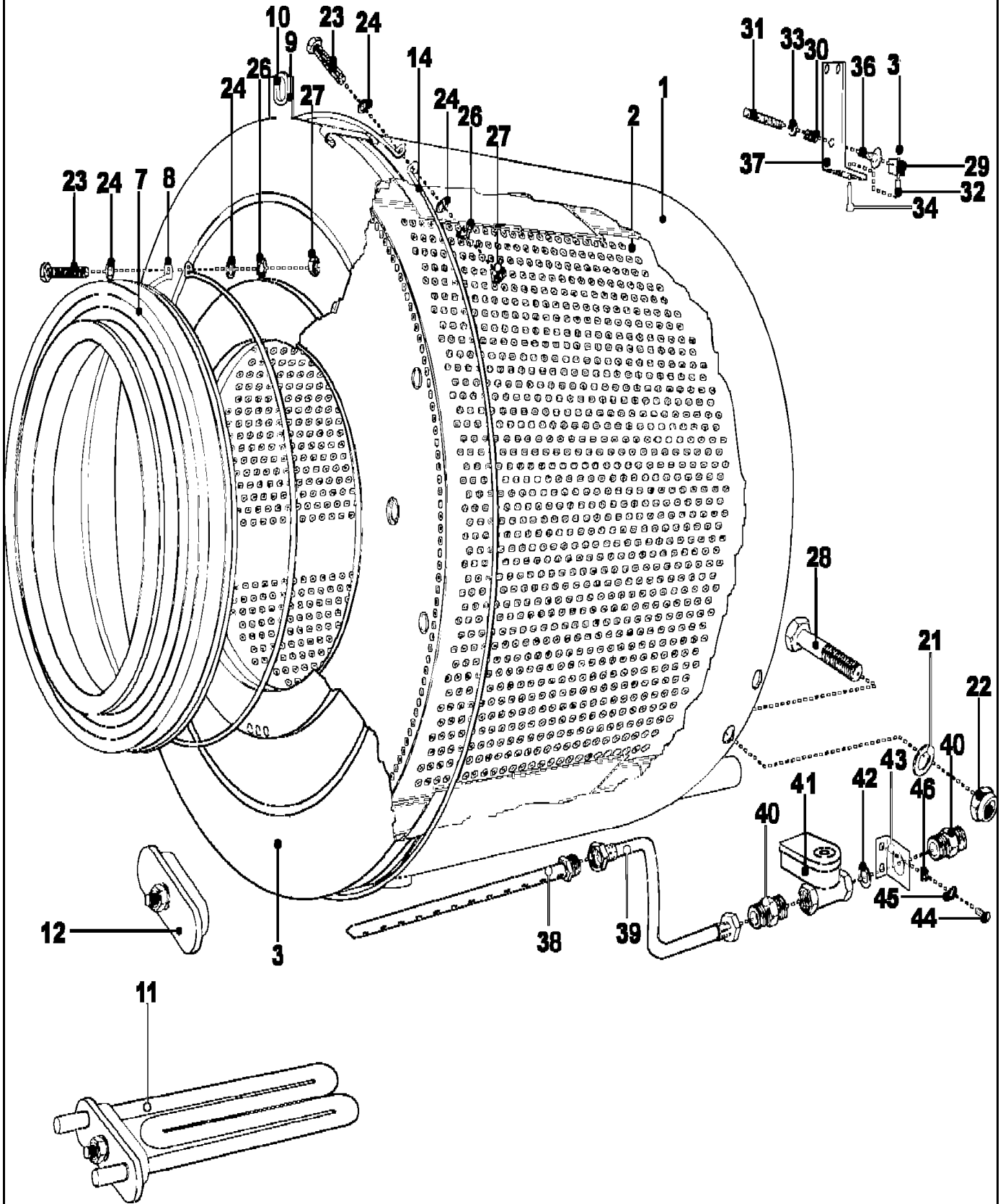
Section: INTERNAL CONTROLS

No.	Part No.	Description	Series	Qty
1	23001094	BRIDGE, RECTIFIER	10	2
3	23001099	PC BOARD SOCKET	10	2
4	23001100	CONTACTOR (LC1-D0901 M7)	10	4
6	23001116	CONNECTOR HOUSING (4 POLE)	10	2
7	23001107	RELAY, THERMAL OVERLOAD(12-18A)	10	1
15	23001115	INSULATION PAPER	10	1
20	23001013	LOCK WASHER EXTERNAL TEETH M4	10	1
21	23001089	SCREW (M4 X 16 CK)	10	2
22	23001055	NUT (M4)	10	2
23	23001109	CONNECTOR HOUSING (8 POLE)	10	2
25	23001311	BOLT (M6 X 25)	10	3
26	23001312	NUT (M6)	10	6
27	23001028	LOCK WASHER EXTERNAL TEETHM6LU	10	3
28	23001112	CONNECTOR HOUSING (6 POLE)	10	1
34	23003533	CONNECTOR (9-POLE/FEMALE)	10	1
35	23002505	PLATE, EARTH	10	1
36	23001138	BUSHING, CABLE PASSAGE	10	2
37	23002154	BOARD, TERMINAL (6 POLES)	10	1

*Color Code (-)=Not Shown #=Series, Serial Prefix or Run No., N=Not Available

Section: WASH DRUM AND TUB

Model: MFS35PNDVS



CW17-48

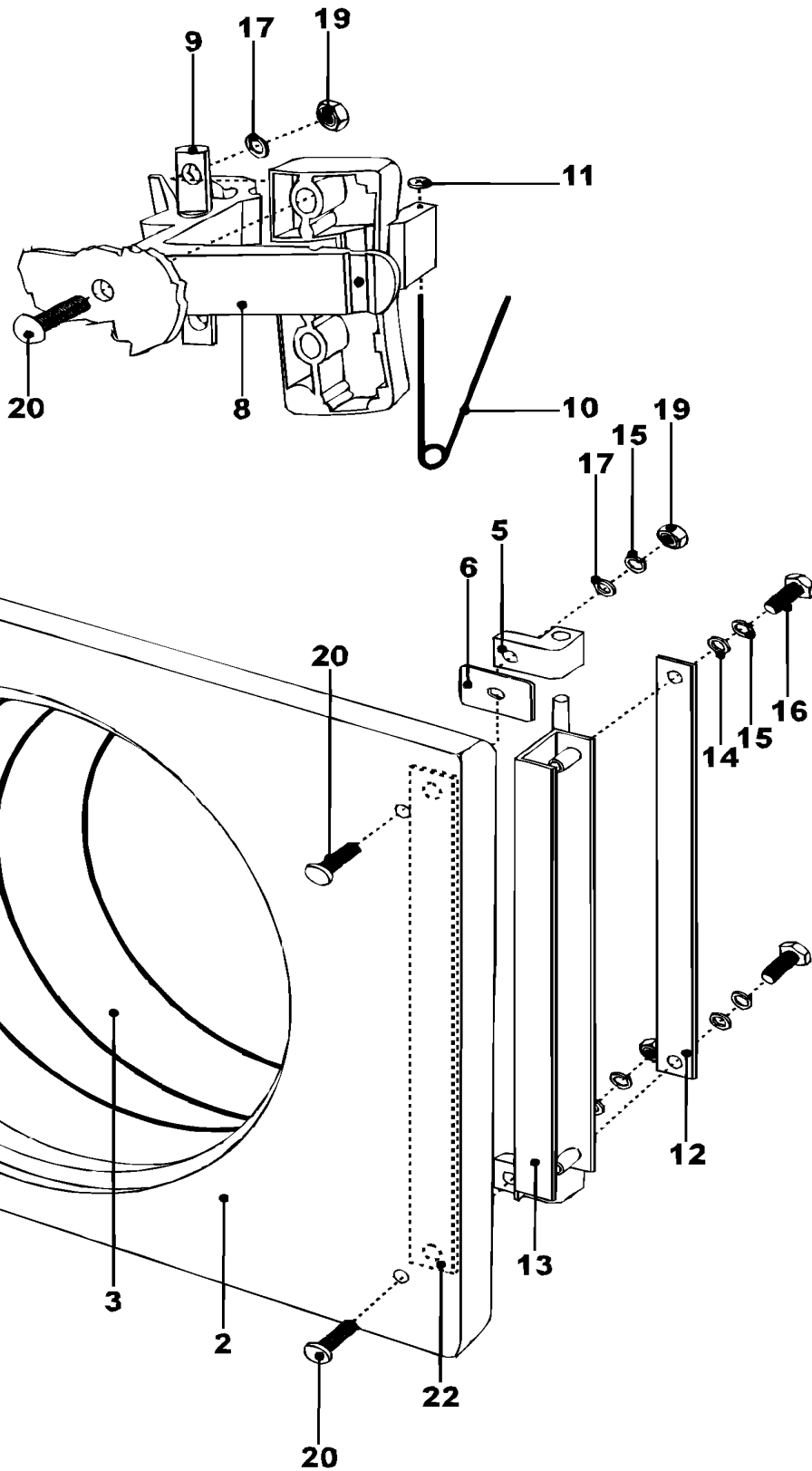
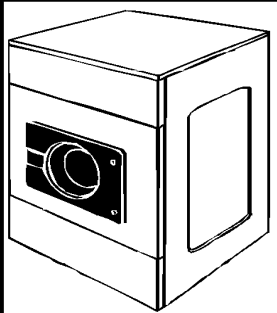
Section: WASH DRUM AND TUB

No.	Part No.	Description	Series	Qty
1	23003897	TUB	10	1
1	23003599	TUB (STEAM)	10	1
2	23003600	DRUM	10	1
3	23003898	DRUM PLATE	10	1
7	23003536	HOUSING, TUB	10	1
8	23003537	RING, FIXATION	10	1
9	23003911	PLATE, DETECTION TILT SWITCH	10	1
10	23003539	PASSAGE, CABLE	10	1
11	23002191	ELEMENT, HEATING 80LB	10	1
12	23001594	BLIND, HEATING ELEMENT	10	1
14	23003603	RING II	10	1
21	23003604	WASHER	10	1
22	23003605	NUT (M16)	10	2
23	23003541	SCREW (M6X70)	10	1
24	23001309	WASHER (6.4) LU	10	1
26	23001028	LOCK WASHER EXTERNAL TEETHM6LU	10	1
27	23003606	NUT (M6)	10	1
28	23003595	SCREW (M16X60)	10	1
29	23003899	MICRO SWITCH	10	1
30	23003900	SPRING	10	1
31	23003901	SPRING	10	1
32	23003902	SPACER	10	1
33	23002951	WASHER, FIBER	10	1
34	23003903	SCREW M3X25	10	3
35	23001053	NUT (M3)	10	3
36	23003904	SPRING HOLDER TILT SWITCH	10	1
37	23003905	SUPPORT TILT SWITCH	10	1
38 N	23003346	INJECTOR (LOW PRESSURE)	10	1
39	23003906	FLEXIBLE	10	1
40	23003907	DOUBLE NIPPLE STEAM	10	1
41	23003352	VALVE, STEAM (1/2")	10	1
42	23003908	SEALING METAL 22X27	10	1
43	23003912	SUPPORT, STEAM VALVE	10	1
44	23001026	BOLT (M6 X 16)	10	1
45	23001028	LOCK WASHER EXTERNAL TEETHM6LU	10	2
46	23001309	WASHER (6.4) LU	10	2

*Color Code (-)=Not Shown #=Series, Serial Prefix or Run No., N=Not Available

Section: DOOR

Model: MFS35PNDVS



CW10-67

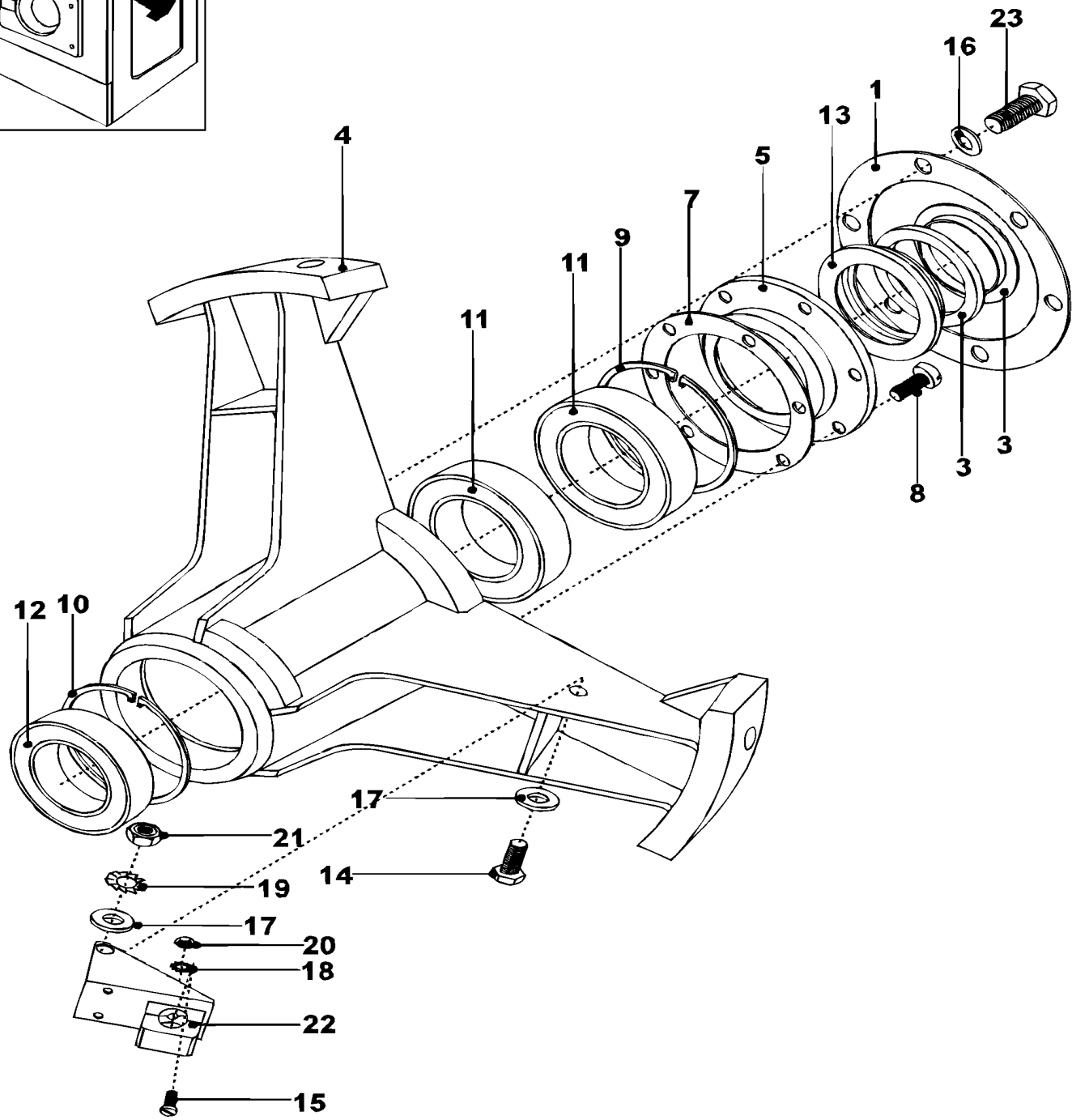
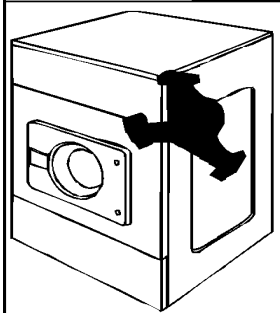
Section: DOOR

No.	Part No.	Description	Series	Qty
2	23003543	DOOR	10	1
3	23003544	GLASS, DOOR	10	1
4	23001365	RUBBER, DOOR GLASS	10	1
5	23003545	BLOCS, HINGE LU	10	2
6	23003546	PLATES, REGULATING	10	2
7	23003632	HANDLE, DOOR (BACK)	10	1
7	23003860	PLATE, HANDLE ORNAMENTAL	10	1
8	23003634	LEVER, DOOR	10	1
9	23001168	SHAFT, LEVER	10	1
10	23001169	SPRING, HANDLE LEVER	10	1
11	23002499	WASHER	10	1
12	23003547	REINFORCEMENT	10	1
13	23003909	HINGE SQUARE DOOR COMPLETE	10	1
14	23001159	WASHER (DIA. 14X8.6X1 STNLS)LU	10	4
15	23001158	WASHER (M6)	10	6
16	23001371	SCREW (M6 X 20 STNLS STEEL)	10	2
17	23001159	WASHER (DIA. 14X8.6X1 STNLS)LU	10	2
19	23001176	NUT (M6 STAINLESS STEEL)	10	2
20	23002937	SCREW (M6X26)	10	1
21	23003549	SCREW (M4X8)	10	1
22	23003550	REINFORCEMENT	10	1

*Color Code (-)=Not Shown #=Series, Serial Prefix or Run No., N=Not Available

Section: TRUNNION

Model: MFS35PNDVS



Section: TRUNNION

No.	Part No.	Description	Series	Qty
1	23003607	PLATE, PRESSURE	10	1
3	23003608	RING, COUNTER	10	2
4	23003609	HOUSING, BEARING	10	1
5	23003610	RING, JOINT	10	1
7	23003611	SEAL	10	1
8	23001184	SCREW (M5X12 STAINLESS STEEL)	10	6
9	23003612	RING, SECURING (D110)	10	1
10	23003613	RING, SECURING (D100)	10	1
11	23003614	BEARING	10	2
12	23003615	BEARING	10	1
13	23003616	SEAL, AXIAL	10	1
14	23001444	BOLT (M6X30)	10	1
15	23001361	BOLT (M4X10)	10	1
16	23001201	WASHER (DIA. 22X11X1 BRASS)	10	6
17	23001309	WASHER (6.4) LU	10	1
18	23001013	LOCK WASHER EXTERNAL TEETH M4	10	1
19	23001028	LOCK WASHER EXTERNAL TEETH M6LU	10	1
20	23001055	NUT (M4)	10	1
21	23001034	NUT (M6)	10	1
22	23003556	CLIP, CABLE	10	1
23	23001389	BOLT (M10 X 25 STNLS STEEL)	10	6

*Color Code (-)=Not Shown #=Series, Serial Prefix or Run No., N=Not Available

