

WASHER

Repair Parts List

MODEL NUMBER

MFR40PDCTS

When requesting service or ordering parts, always provide the following information:

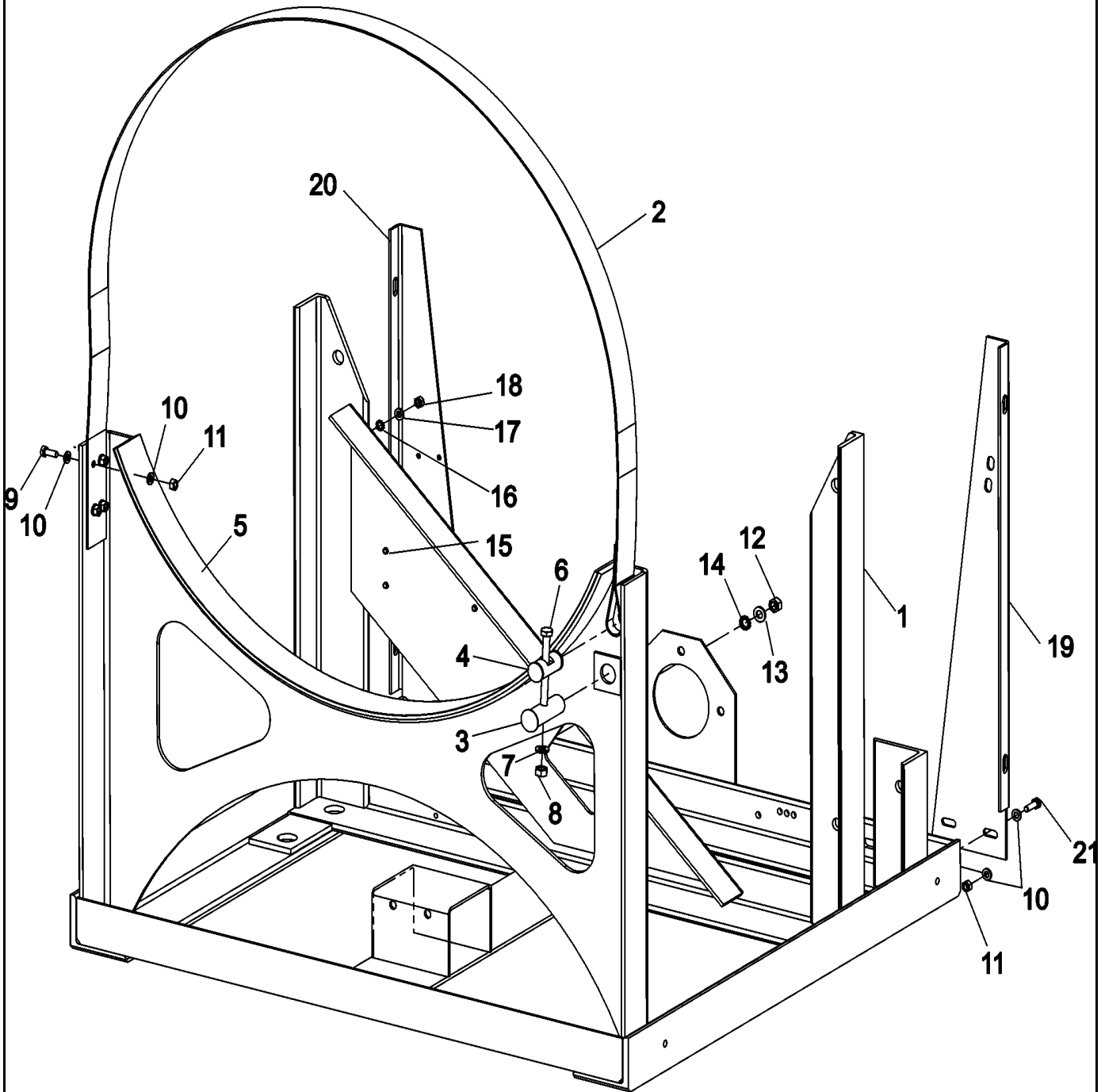
- Product Type
- Part Number
- Model Number
- Part Description

MAYTAG®

©2005 Maytag Services

Section: BASE FRAME

Model: MFR40PDCTS



17Feb-05
519 329

CW19-46

Section: BASE FRAME

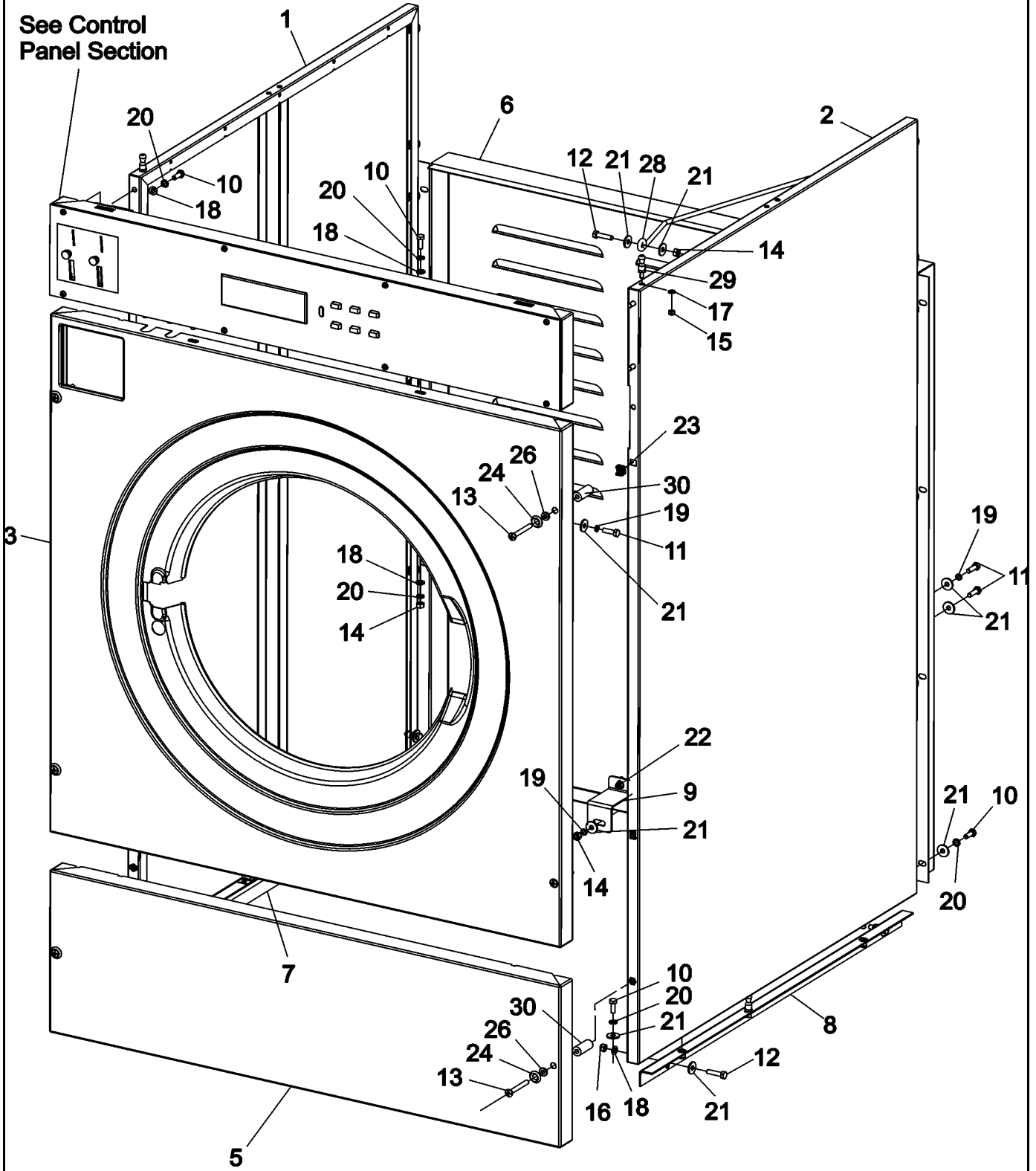
No.	Part No.	Description	Series	Qty
1	23004042	FRAME WELDED	10	1
2	23004168	STRAPE	10	1
3	23004169	LWR TIGHTENER ROLLER	10	1
4	23004170	UPPR TIGHTENER ROLLER	10	1
5	23004267	BELT, SHOCK ABSOR 36"	10	1
6	N 23003064	SCREW (M8X80)	10	1
7	23003769	WASHER M8	10	1
8	N 23003766	NUT M8	10	1
9	23002461	SCREW (M6 X16)	10	4
10	23003778	WASHER 12	10	8
11	23003773	NUT M6	10	4
12	23002487	NUT (M8)	10	1
13	23001608	WASHER (M8) LU	10	1
14	23004172	LOCK WASHER M8 EXT TEETH	10	1
15	23004093	RIVETING BLIND NUT M4	10	5
16	23004175	LOCK WASHER M6 EXT TEETH	10	1
17	23002424	WASHER	10	1
18	23002280	NUT (M6)	10	1
19	23004173	RIGHT CABINET REINFORCE	10	1
20	23004174	LEFT CABINET REINFORCE	10	1
21	23002462	SCREW (M6 X 20) LU	10	4

*Color Code (-)=Not Shown #=Series, Serial Prefix or Run No., N=Not Available

Section: CABINET (PD)

Model: MFR40PDCTS

See Control
Panel Section



25-Feb-05
519 390

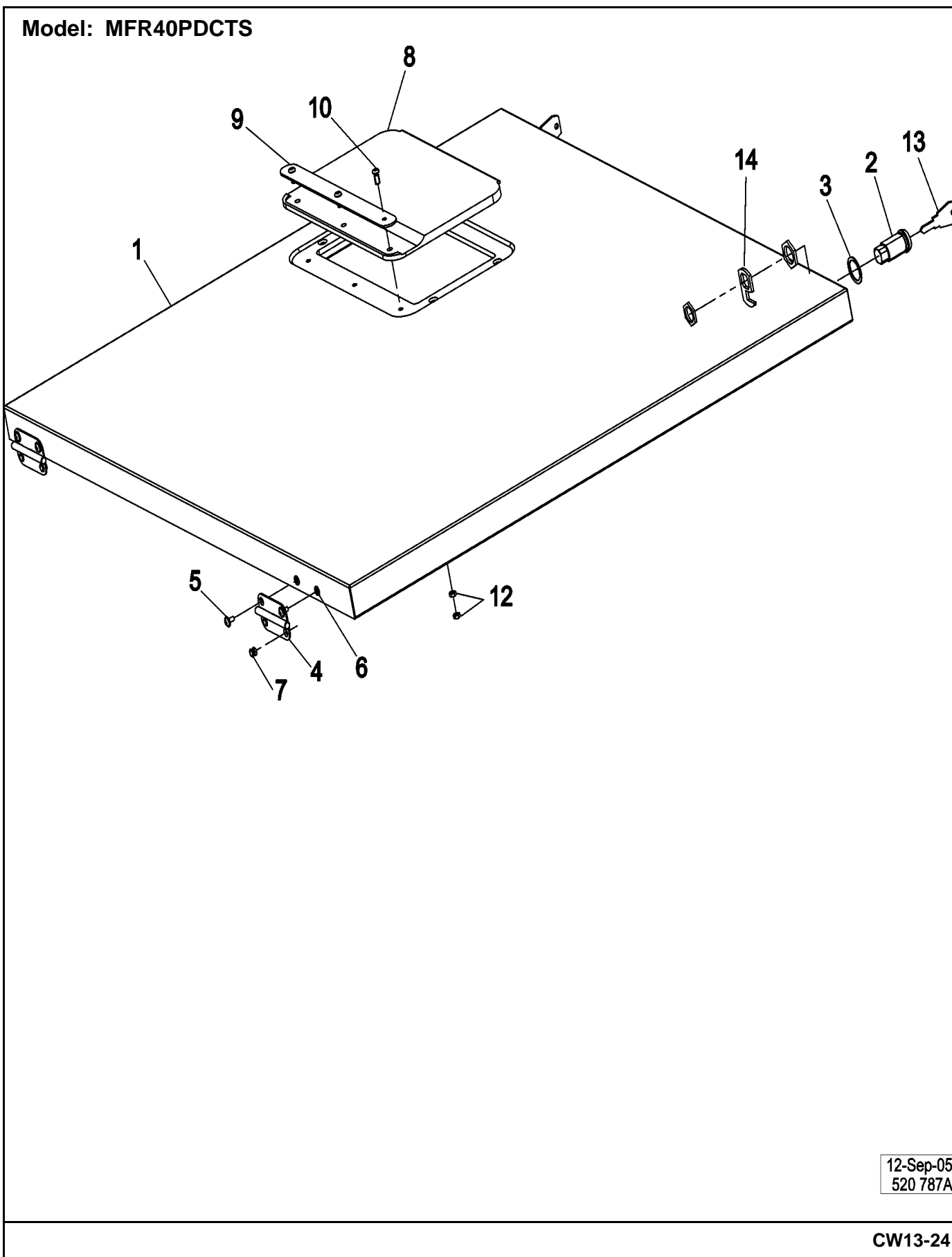
Section: CABINET (PD)

No.	Part No.	Description	Series	Qty
1	23004176	LEFT SIDE PANEL COMPLETE	10	1
2	23004177	RIGHT SIDE PANEL COMPLETE	10	1
3	23004515	FRONT PANEL,MFR40-50PD	13	1
3	23004178	FRONT PANEL COMP(PD)	10	1
5	23002857	PANEL, SERVICE (STAINLESS)	10	1
6	23004179	REAR COVER	10	1
7	23004180	LEFT SUPPORT RAIL	10	1
8	23004181	RIGHT SUPPORT RAIL	10	1
9	23004182	REAR COVER HOLDER	10	2
10	23002461	SCREW (M6 X16)	10	23
11	23002462	SCREW (M6 X 20) LU	10	12
12	23002861	SCREW (M6X25) LU	10	5
13	23002456	SCREW (M6 X 50)	10	6
14	23003773	NUT M6	10	9
15	23003716	NUT M5	10	2
16	23002471	NUT	10	4
17	23002862	WASHER (5,3)	10	4
18	23003778	WASHER 12	10	21
19	23002440	WASHER, SPRING LOCK (6)	10	14
20	23002756	WASHER	10	27
21	23003012	WASHER LU	10	33
22	23004092	NUT M6	10	36
23	23002455	NUT, RAPID (M6)	10	4
24	23002457	WASHER	10	6
26	23001447	WASHER, FIBER (12 X 6 X 2)	10	6
28	23001330	SUPPORT ROD, TOP PANEL	10	1
29	23004183	PIN,ALIGNMENT	10	4
30	23002860	TUBE, DISTANCE	10	6

*Color Code (-)=Not Shown #=Series, Serial Prefix or Run No., N=Not Available

Section: TOP COVER ASSEMBLY

Model: MFR40PDCTS



12-Sep-05
520 787A

CW13-24

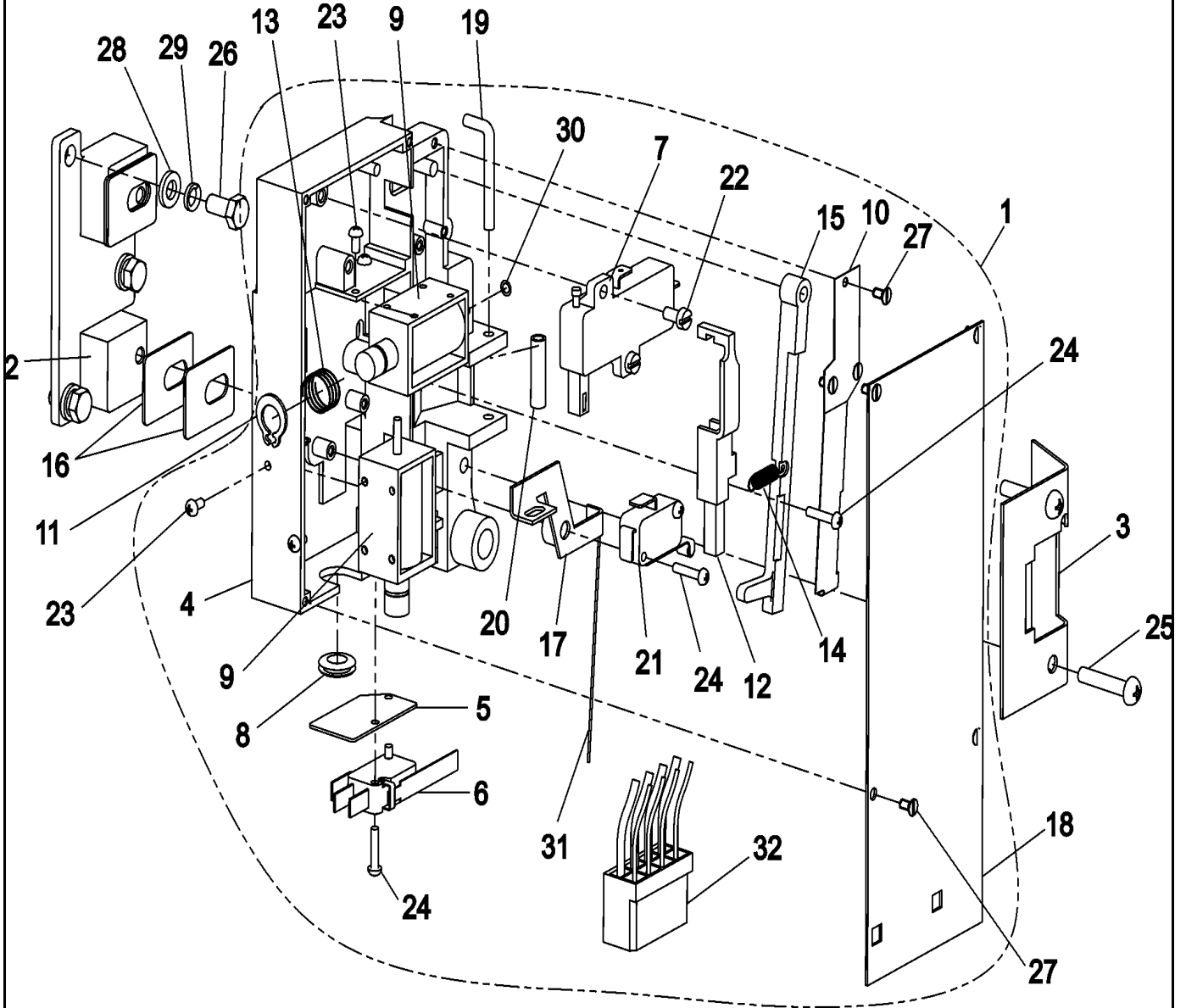
Section: TOP COVER ASSEMBLY

No.	Part No.	Description	Series	Qty
1	23004185	TOP COVER MFR40	10	1
2	23001006	LOCK, TOP PANEL	10	2
3	23001007	WASHER, FIBER	10	2
4	23004103	HINGE	10	2
5	23004104	BOLT M4 X 8	10	4
6	23004093	RIVETING BLIND NUT M4	10	4
7	23004105	RIVET 4X6,3	10	4
8	23001003	RUBBER COVER, SOAP BOX	10	1
9	23003781	LACTH, SOAP HOPPER COVER	10	1
10	23001012	SCREW (M4 X 12 STNLS STEEL)	10	3
12	23002652	NUT (QTY OF 4 = 1 PIECE)	10	6
13	23002673	KEY-TOP PANEL (25001)	10	1
14	23001009	LOCK HOOK (SHORT)	10	2

*Color Code (-)=Not Shown #=Series, Serial Prefix or Run No., N=Not Available

Section: DOOR LOCK ASSEMBLY

Model: MFR40PDCTS



21-Feb-05
521 450

CW10-78

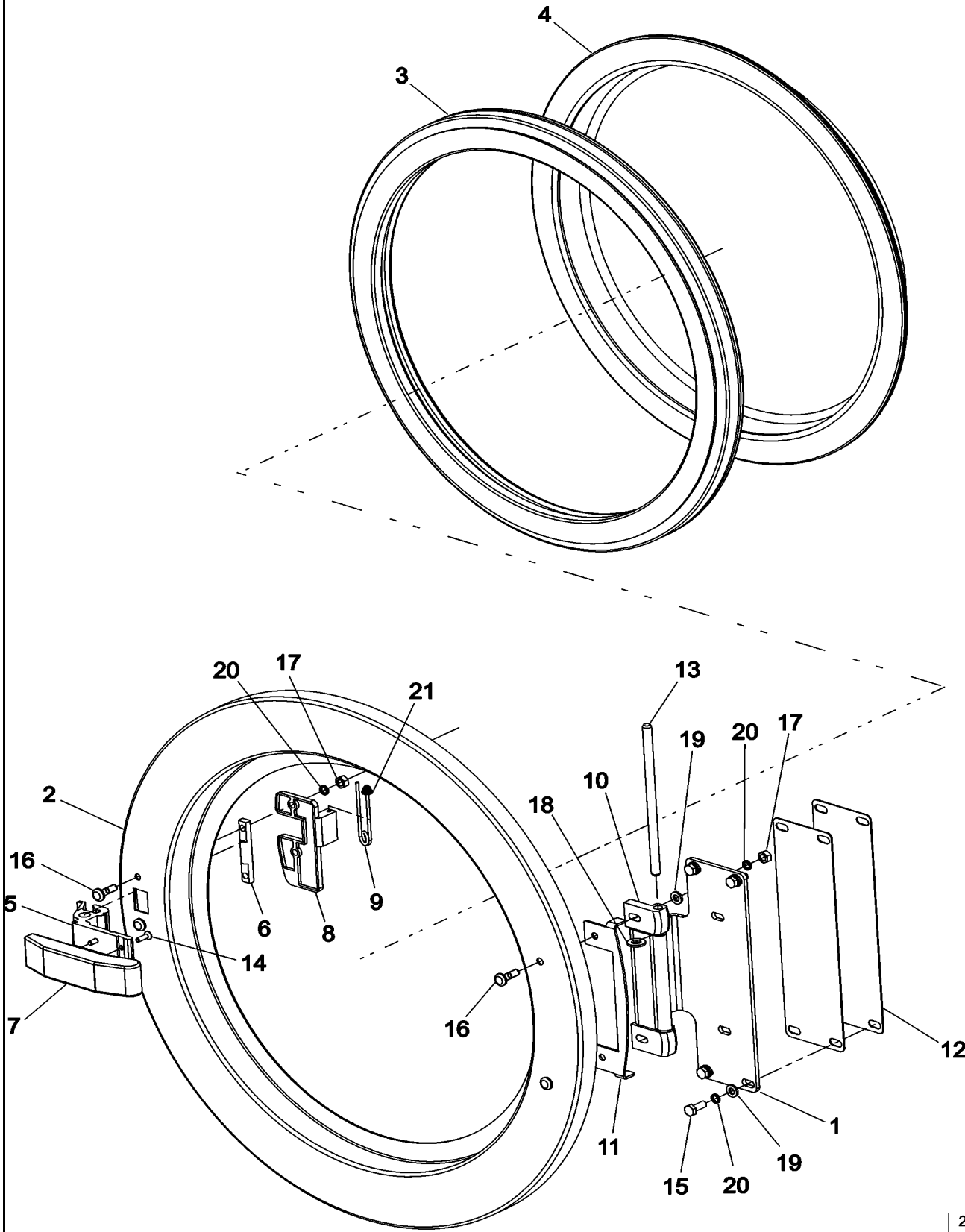
Section: DOOR LOCK ASSEMBLY

No.	Part No.	Description	Series	Qty
1	Y23002897	LOCK, DOOR (COMPLETE)	10	1
2	23001156	SPACER, LOCK	10	1
3	23004106	LOCK COVER	10	1
3	23004234	COVER, LOCK	13	1
4	Y23002898	GROUND, PLATE LOCK	10	1
5	23003863	PLATE, MICROSWITCH	10	1
6	23001145	MICROSWITCH, LONG LEVER	10	1
7	23001135	BIMETAL, ACTUATOR (230V)	10	1
8	23002479	PASSAGE, CABLE	10	1
9	23001146	COIL (240V)	10	2
10	23001149	LEAF SPRING, LATCH BAR	10	1
11	23001137	RING, RETAINING (G10)	10	1
12	23001140	BAR, LOCKING	10	1
13	23002903	SPRING, LOCKING PART	10	1
14	23002900	SPRING, LOCKING PART	10	1
15	23002899	HANDLE, LOCKING PART	10	1
16	23001368	SHIM, HINGE BASE	10	4
17	N 23002902	LEVEL, OPENING	10	1
18	23001130	PLATE, COVER (STNLS STEEL)	10	1
19	23001142	RETAINER, LOCK TUBE (DIA.4X45)	10	1
20	23001143	LOCK TUBE (DIA. 4X23.5 STNLS)	10	1
21	23002337	MICROSWITCH W/ ROLLER ARM	10	1
22	23003114	SCREW (M4X8) LU	10	2
23	23002869	SCREW (M3X6)	10	4
24	23003115	SCREW (M3X14)	10	5
25	23003784	BOLT M5X25 STS STL	10	2
26	23002422	SCREW (M6 X 12)	10	3
27	23003113	SCREW (M3X6)	10	7
28	23002424	WASHER	10	3
29	23002130	WASHER (6)	10	3
30	23001136	WASHER (DIA. 5.1 X 3.3 X 0.1)	10	2
31	23002901	CORD, OPENING	10	1
32	23002905	WIRING, DOOR LOCK	10	1

*Color Code (-)=Not Shown #=Series, Serial Prefix or Run No., N=Not Available

Section: DOOR

Model: MFR40PDCTS



23-Sep-05
519 389A

CW10-77

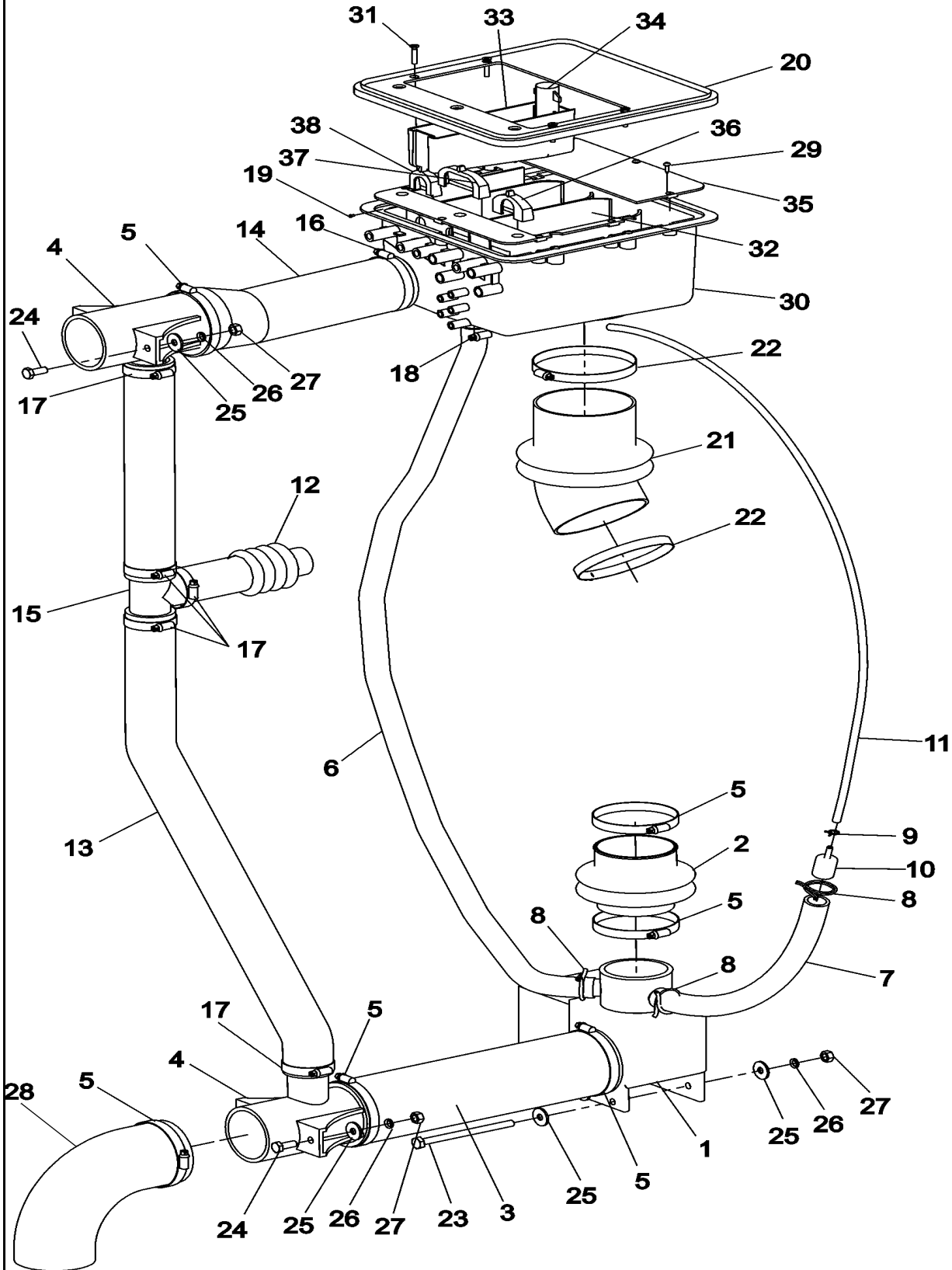
Section: DOOR

No.	Part No.	Description	Series Qty
1	23004107	DOOR HINGE	1
2	23004108	DOOR FRAME	1
3	23003859	DOORSEAL	1
4	23004109	GLASS	1
5	23003858	HANDLE	1
6	23001168	SHAFT, LEVER	1
7	23003860	PLATE, HANDLE ORNAMENTAL	1
8	23001370	HANDLE, LEVER PLATE	1
9	23001169	SPRING, HANDLE LEVER	1
10	23003545	BLOCS, HINGE LU	1
11	23004110	HINGE BLOOK WASHER	1
12	23004111	SHIM	2
13	23004112	DOOR PIN	1
14	23004113	BOLT M4 X 12	2
15	23004114	BOLT M6 X 16	4
16	23001175	SCREW (M6X20 STAINLESS STEELLU	4
17	23002280	NUT (M6)	4
18	23003769	WASHER M8	2
19	23002424	WASHER	6
20	23002130	WASHER (6)	6
21	23002499	WASHER	1

*Color Code (-)=Not Shown #=Series, Serial Prefix or Run No., N=Not Available

Section: SOAP BOX, DRAIN & HOSE ASSEMBLY

Model: MFR40PDCTS



24-Feb-05
520 788

CW16-30

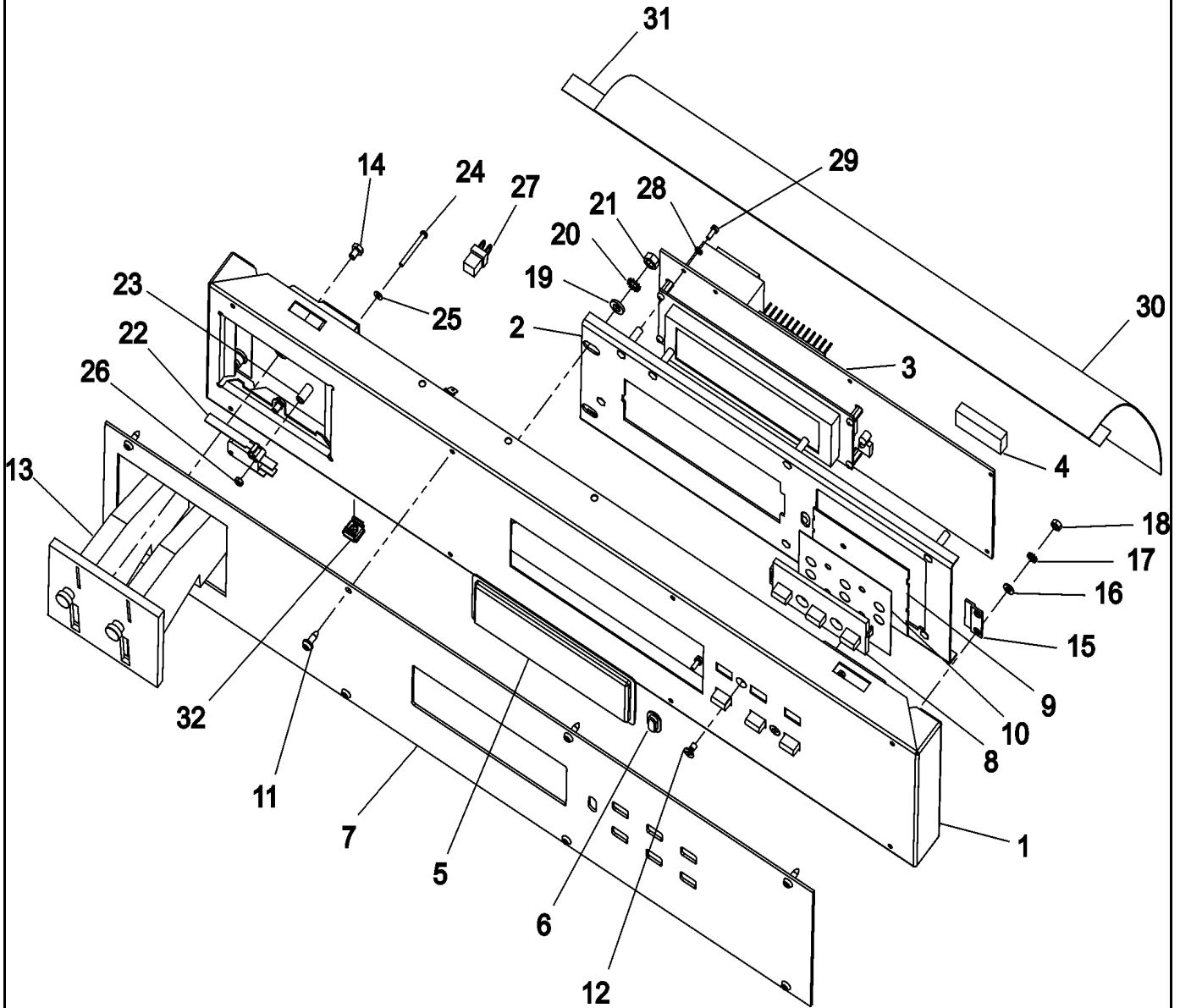
Section: SOAP BOX, DRAIN & HOSE ASSEMBLY

No.	Part No.	Description	Series Qty
1	23001244	VALVE, DRAIN (240V-50/60HZ)	1
2	23002907	TUB, OUTLET VALVE HOSE	1
3	23001248	HOSE, DRAIN	1
4	23001253	DRAIN TEE	2
5	23001258	CLAMP, HOSE (70-90)	6
6	23001246	HOSE, BOTTOM FILL	1
7	23001246	HOSE, BOTTOM FILL	1
8	23001259	CLAMP, CORBIN (A17.5)	3
9	23001257	CLAMP, CORBIN (A5.5)	1
10	23001260	BUSHING, AIR DOME HOSE	1
11	23001252	HOSE, WATER LEVEL SWITCH	1
12	23001250	HOSE, AIR VENT	1
13	23001251	HOSE, OVERFLOW	1
14	23001254	AIR VENT HOSE, SOAP BOX	1
15	23001255	TEE, OVERFLOW HOSE	1
16	23001256	CLAMP, HOSE (60-80)	1
17	23001750	RING, CLAMP (40-60)	5
18	23001262	CLAMP, HOSE (20-32)	1
19	23003783	SCREW 2	3
20	23001015	RUBBER SEAL, SOAP BOX	1
21	23004187	RUBBER, TUB SOAP HOPPER	1
22	23001025	CLAMP, HOSE (DIA 90/110)	2
23	23002908	SCREW (M8X120)	2
24	23002475	BOLT (M8X20)	4
25	23002437	WASHER (M8)	8
26	23002439	WASHER, SPRING LOCK (8)	6
27	N 23003766	NUT M8	6
28	23002015	ELBOW (90 DEGREE)	1
29	23003782	SCREW 3 STAINLESS STEEL LU	7
30	23001016	SOAP BOX HOUSING	1
31	23003484	SCREW (M5X16)	4
32	23001017	SOAP BOX INSERT	1
33	23001019	TRAY	1
34	23001018	SIPHON	1
35	23001020	COVER, PLATE	1
36	23001021	DRAWER, PREWASH	1
37	23001022	DRAWER, MAIN WASH	1
38	23001023	DRAWER, LAST RINSE	1

*Color Code (-)=Not Shown #=Series, Serial Prefix or Run No., N=Not Available

Section: CONTROL PANEL (PD)

Model: MFR40PDCTS



23-Feb-05
520 784

CW11-94

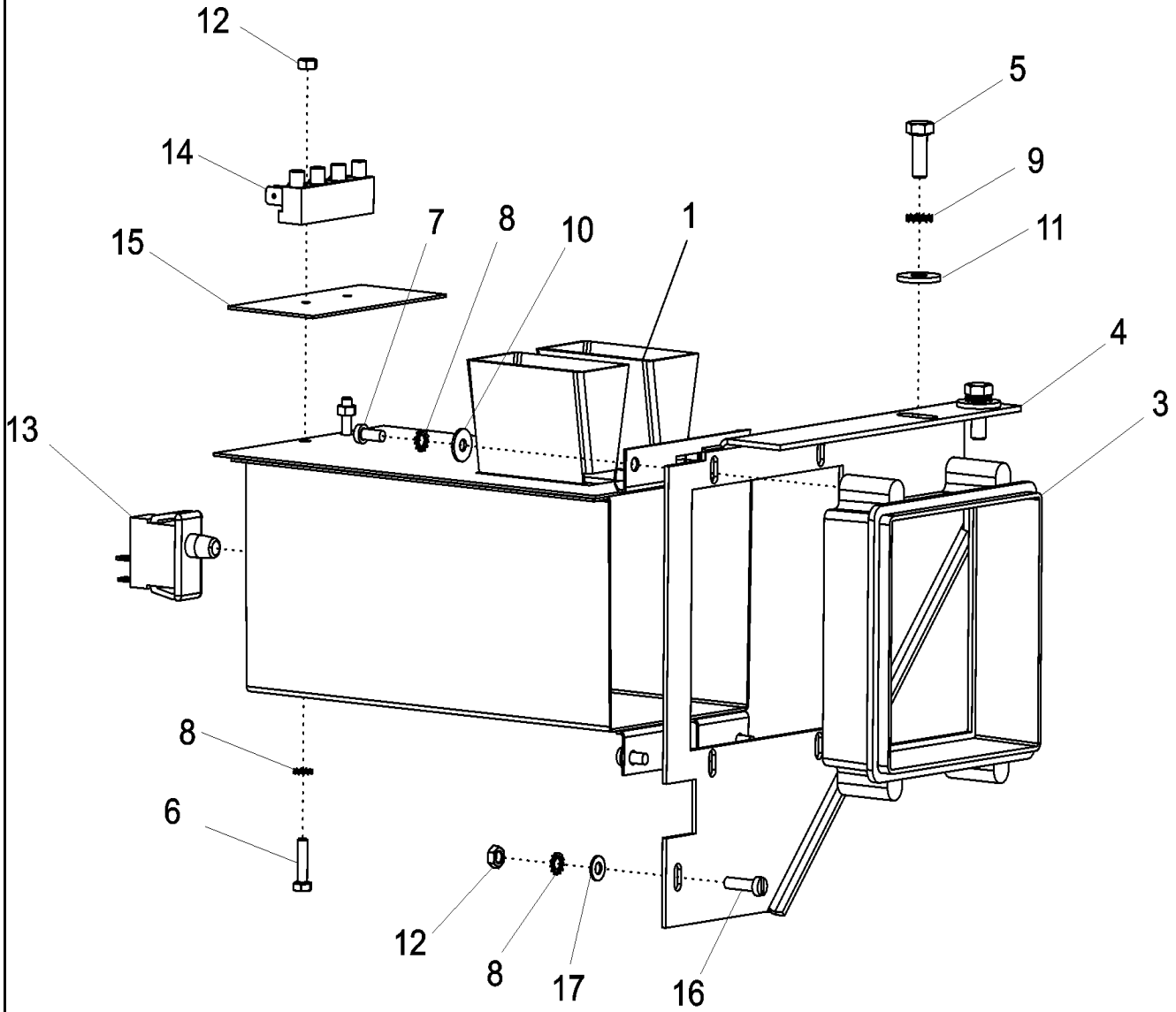
Section: CONTROL PANEL (PD)

No.	Part No.	Description	Series	Qty
2	23004117	BRACKET, CONTROL BOARD LU		1
3	23004118	CONTROL BOARD		1
4	23003992	MCG EEPROM CHIP LU		1
5	23004119	DISPLAY LENS		1
6	23004120	LENS, IR		1
7	23004189	CONTROL PANEL(FACIA) MFR40		1
8	23003646	BUTTONS, ROW OF 3		2
9	23004122	KEY BOARD		1
10	23004123	HOLD PLATE		1
11	23003810	SCREW		8
12	23003811	SCREW		2
13	23004075	DUAL COIN DROP CANADA		1
-	23004167	OPTIC SWITCH		1
13	23004124	COIN DROP 25 US		1
14	23003797	BOLT		1
15	23004125	Z-BRACKET		1
16	23002438	WASHER (M6)		4
17	23002950	LOCKWASHER (M4)		4
18	23003666	NUT (M4)		4
19	23003774	WASHER 12		2
20	23002756	WASHER		2
21	23003773	NUT M6		2
22	23001145	MICROSWITCH, LONG LEVER		1
23	23003653	TUBE		2
24	23003652	SCREW, SWITCH		2
25	23003654	WASHER (M3)		2
26	23002958	NUT (M3)		2
27	23004127	EMEREGENCY STOP INTERCONNECT		1
28	23002865	LOCK WASHER (M3)		7
29	23004061	SCREW M3 X 8		7
30 N	23002877	COVER, PLASTIC		1
31	23004126	DOUBLE SIDE TAPE		1
32	23002455	NUT, RAPID (M6)		2
-	23004091	KIT, CONVERT PD TO PN		1

*Color Code (-)=Not Shown #=Series, Serial Prefix or Run No., N=Not Available

Section: COIN VAULT (PD)

Model: MFR40PDCTS



23-Feb-05
520 789

CW11-96

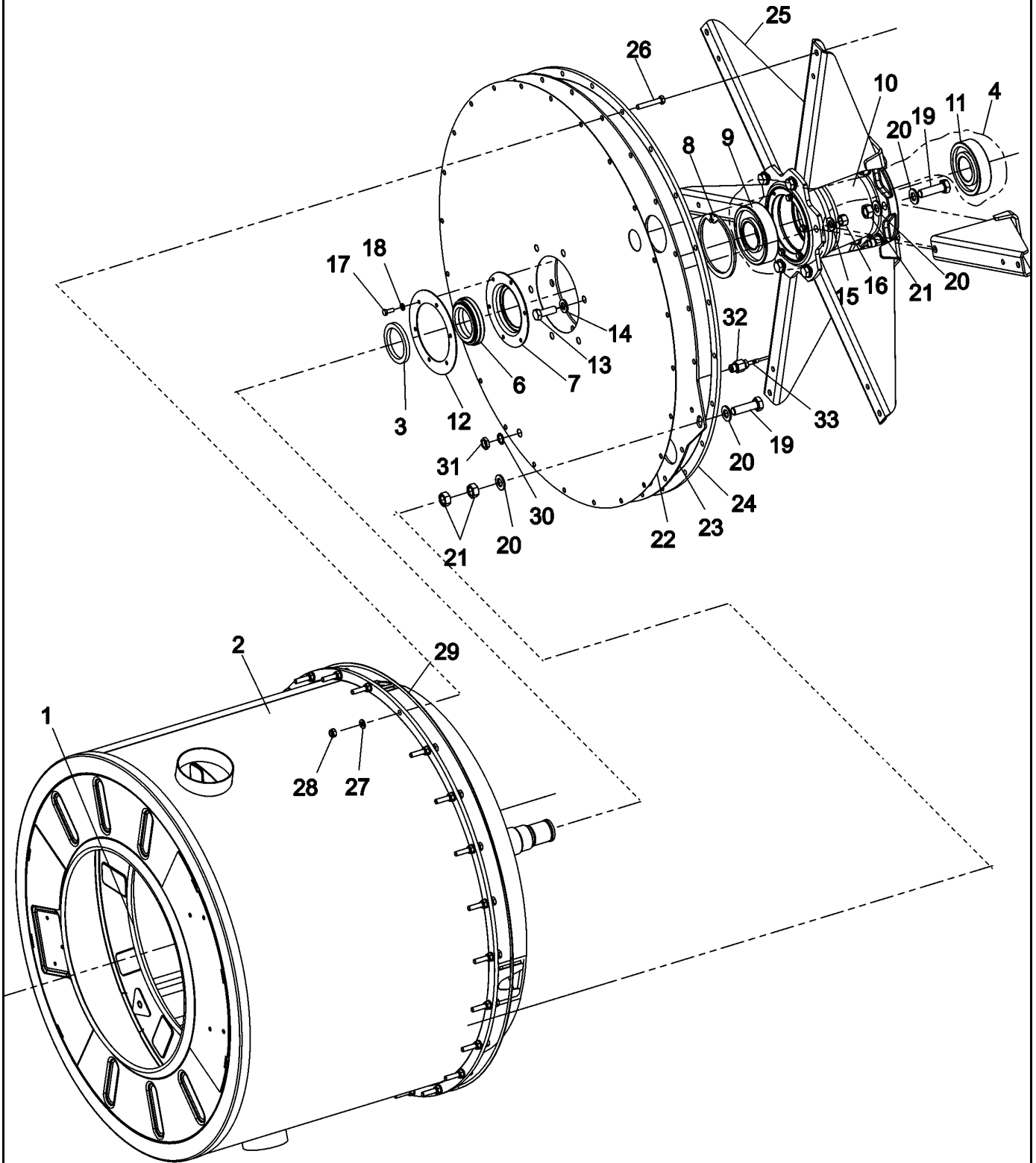
Section: COIN VAULT (PD)

No.	Part No.	Description	Series Qty
1	23004128	COINBOX VAULT	1
3	23004129	COINBOX FRAME	1
4	23004130	COINBOX BRACKET	1
5	23002461	SCREW (M6 X16)	2
6	23004095	BOLT M4 X 16	2
7	23002423	SCREW (M4 X 10)	4
8	23002950	LOCKWASHER (M4)	7
9	23002756	WASHER	2
10	23002504	WASHER	4
11	23003012	WASHER LU	2
12	23003666	NUT (M4)	3
13	23003656	SWITCH, COIN BOX	1
14	23001113	CONNECTOR HOUSING (4 POLE)	1
15	23001115	INSULATION PAPER	1
16	23001012	SCREW (M4 X 12 STNLS STEEL)	1
17	23002438	WASHER (M6)	1

*Color Code (-)=Not Shown #=Series, Serial Prefix or Run No., N=Not Available

Section: BASKET & OUTER SHELL ASSEMBLY

Model: MFR40PDCTS



21-Feb-05
519 354

CW24-04

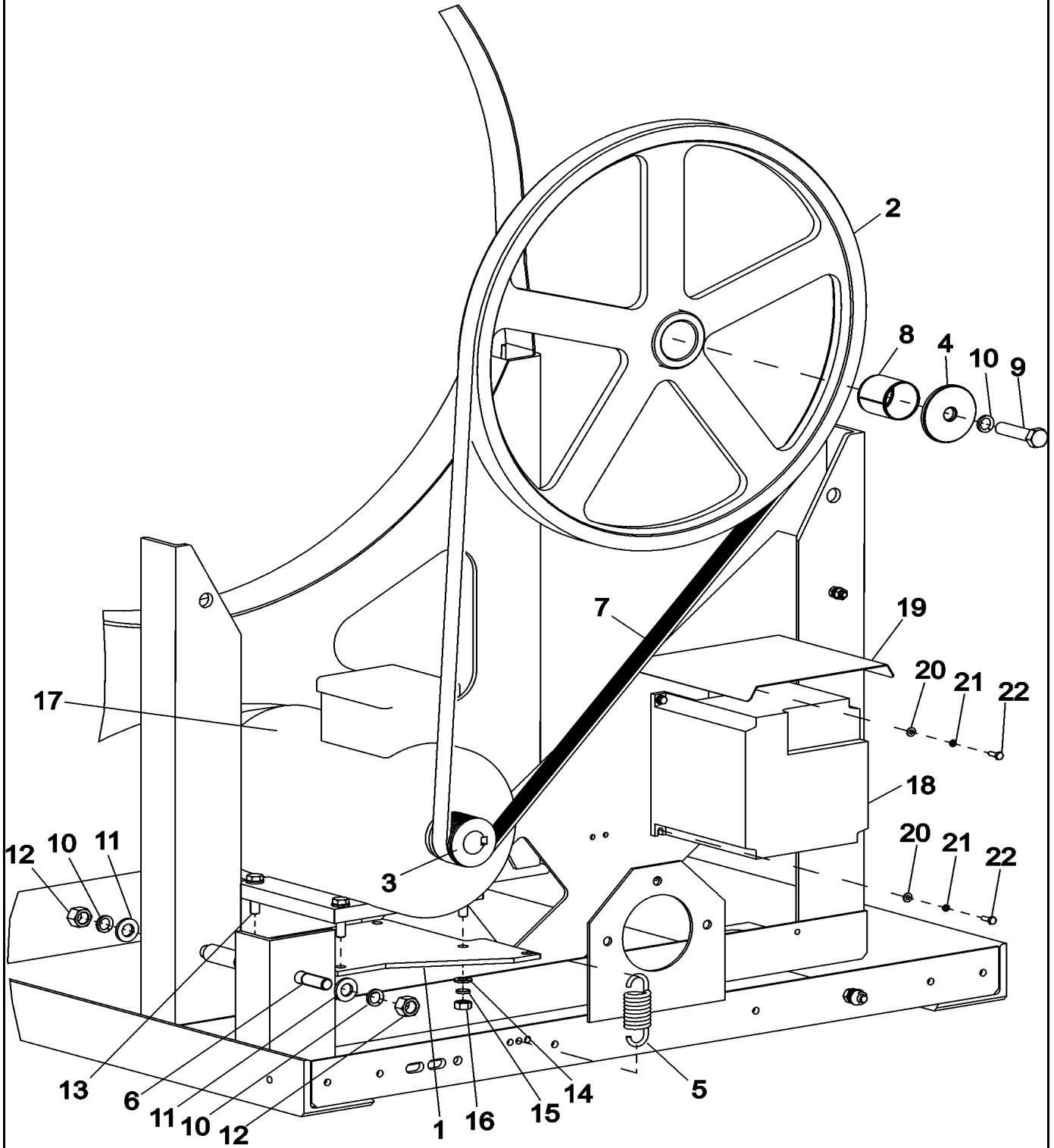
Section: BASKET & OUTER SHELL ASSEMBLY

No.	Part No.	Description	Series	Qty
1	23004043	INNER TUB	10	1
2	23004044	OUTER TUB	10	1
3	23003608	RING, COUNTER	10	1
4	23004046	HUB COMPLETE	10	1
6	23003616	SEAL, AXIAL	10	1
7	23004045	AXIAL SEALING BOWL	10	1
8	23004047	RETAINING RING	10	1
9	23003614	BEARING	10	1
10	23004048	HUB	10	1
11	23003615	BEARING	10	1
12	23004049	SEALING RING	10	1
13	23002661	SCREW (M12 X 35)	10	6
14	23004193	WASHER 13	10	6
15	23002657	WASHER (13)	10	6
16	23003676	NUT (M12)	10	6
17	23004114	BOLT M6 X 16	10	6
18	23002281	WASHER (6-COPPER)	10	6
19	23002931	SCREW (M14X50)	10	8
20	23004194	WASHER15	10	16
21	23003746	NUT, M14	10	10
22	23004195	FOIL(BACKPLATE)	10	1
23	23004196	REINFORCEMENT PLATE	10	1
24	23001197	RING, CLAMP (24 HOLES)	10	1
25	23004197	SPOKE(BRACKET)	10	6
26	23004198	BOLT M8 X 50	10	24
27	23003769	WASHER M8	10	24
28	23001607	NUT (M8)	10	24
29	23004199	SPACER RING	10	4
30	23002179	WASHER	10	1
31	23002936	NUT, SENSOR BUSHING	10	1
32	23004200	BRACKET, THERMOSTAT SENSOR	10	1
33	23003964	SENSOR, TEMPERATURE	10	1

*Color Code (-)=Not Shown #=Series, Serial Prefix or Run No., N=Not Available

Section: MOTOR & BASKET PULLEY

Model: MFR40PDCTS



17-Feb-05
519 328

CW23-06

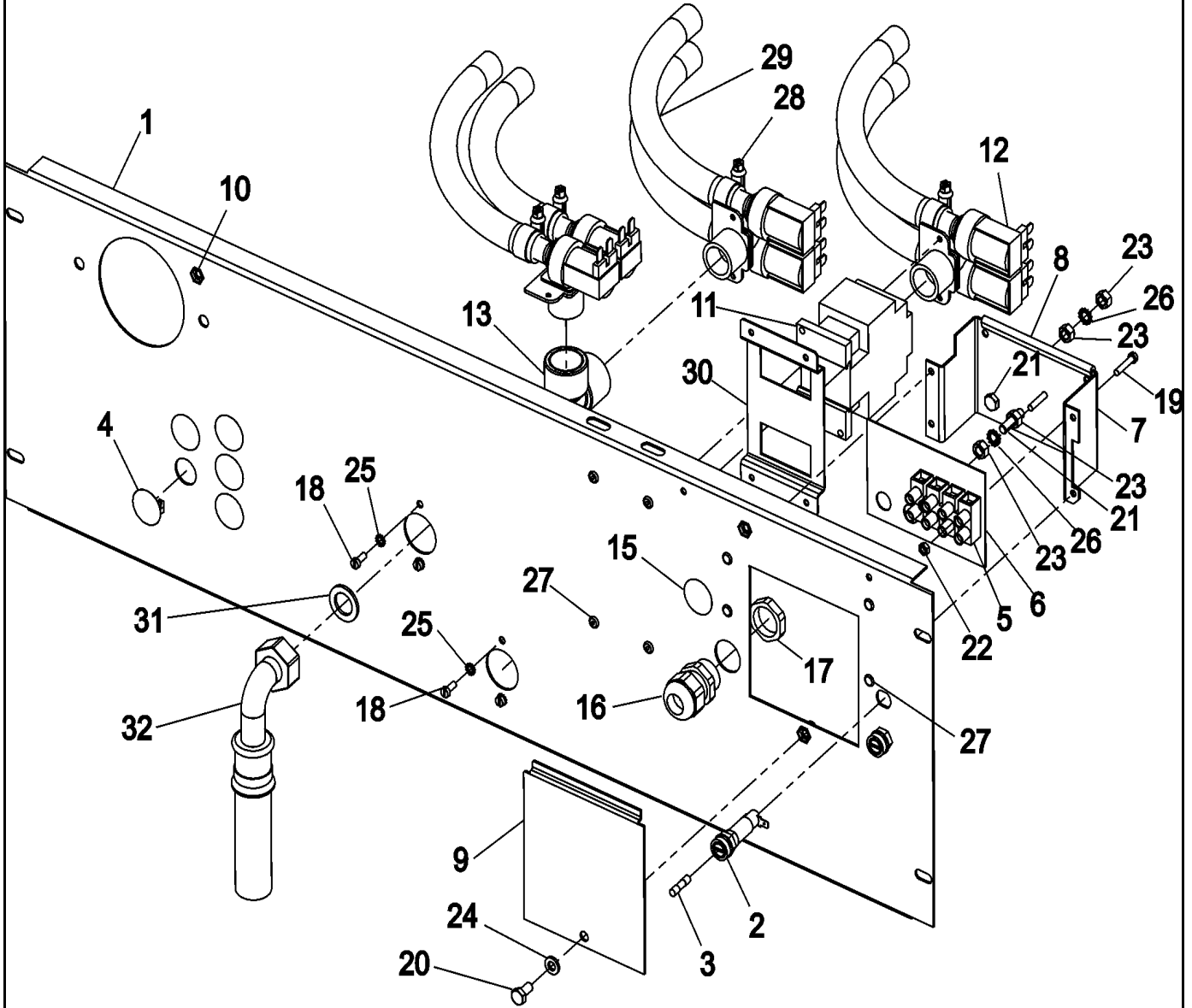
Section: MOTOR & BASKET PULLEY

No.	Part No.	Description	Series	Qty
1	23004201	PLATE, MOTOR	10	1
2	23004202	PULLEY, DRUM LU	10	1
3	23004203	PULLEY, MOTOR	10	1
4	23004204	WASHER	10	1
5	23004156	SPRING, TENSION	10	1
6	23004152	MOTOR ROD	10	1
7	23004211	BELT	10	1
8	23004206	TOLERANCE RING	10	1
9	23004207	BOLT M12 X 50	10	1
10	23002658	WASHER (12)	10	3
11	23004193	WASHER 13	10	2
12	23003676	NUT (M12)	10	2
13	23003765	BOLT M8X35	10	4
14	23003769	WASHER M8	10	8
15	23002439	WASHER, SPRING LOCK (8)	10	4
16 N	23003768	NUT M8	10	4
17	23004081	MOTOR 240V 3PHASE	10	1
18	23004080	INVERTER MIT 1.5KW 1PHASE	10	1
18	23004220	FAN, INVERTER FREQ	10	1
19	23004208	INVERTER COVER	10	1
20	23002438	WASHER (M6)	10	5
21	23002400	WASHER	10	5
22	23004209	BOLT M4 X 12	10	5

*Color Code (-)=Not Shown #=Series, Serial Prefix or Run No., N=Not Available

Section: WATER VALVE & REAR PANEL

Model: MFR40PDCTS



9-March-05
519 392

CW22-04

Section: WATER VALVE & REAR PANEL

No.	Part No.	Description	Series	Qty
1	W10124350	NOT REQUIRED PART OR SEE NOTE		1
2	23001462	HOLDER, FUSE	10	2
3	23001508	FUSE (1A)	10	2
4	N 23002794	PLUG (13)	10	5
5	23002923	BOARD, TERMINAL	10	1
6	23004159	ELECTRO-INSUL FOIL	10	1
7	23004160	TERM BOARD BOX	10	1
8	23002473	RUBBER, PROTECTIVE	10	1
9	23003661	TERMINAL COVER LU	10	1
10	23004092	NUT M6	10	3
11	23003750	CONTACTOR LC1 DO9	10	1
12	23001455	VALVE, TWO WAY (220V 50/60HZ)	10	3
13	23002924	T-PART (3/4)	10	1
15	23002795	PLUG	10	1
16	23002196	SWIVEL, CABLE	10	1
17	23002197	NUT	10	1
18	23002423	SCREW (M4 X 10)	10	4
19	N 23002807	SCREW (M4 X 20)	10	2
20	23002649	SCREW (M6 X 10)	10	1
21	23002806	SCREW (M6 X 25)	10	2
22	23003666	NUT (M4)	10	2
23	23002651	NUT (M6)	10	4
24	23003778	WASHER 12	10	1
25	23002950	LOCKWASHER (M4)	10	4
26	23002425	WASHER, LOCK	10	2
27	23004105	RIVET 4X6,3	10	8
28	23001506	CLAMP, HOSE	10	12
29	23001507	WATERHOSE (GREEN)	10	1
30	23004161	BRACKET, CONTACTOR	10	1
31	23002921	WASHER, FILL HOSE	10	4
32	23001523	HOSE, CONNECTION	10	2
-	23004162	MAIN HARNESS	10	1
-	23004163	DOOR LOCK HARNESS	10	1
-	23004127	EMEREGENCY STOP INTERCONNECT	10	1
-	23004139	EMERGENCY STOP HARNESS	10	1
-	23004164	CONNECTOR LIQ SOAP LU	10	1
-	23004165	MOTOR CABLE	10	1
-	23004210	COMMUNICATION CABLE	10	1

*Color Code (-)=Not Shown #=Series, Serial Prefix or Run No., N=Not Available

