

WASHER

Repair Parts List

MODEL NUMBER
MAT12PSLWW

When requesting service or ordering parts, always provide the following information:

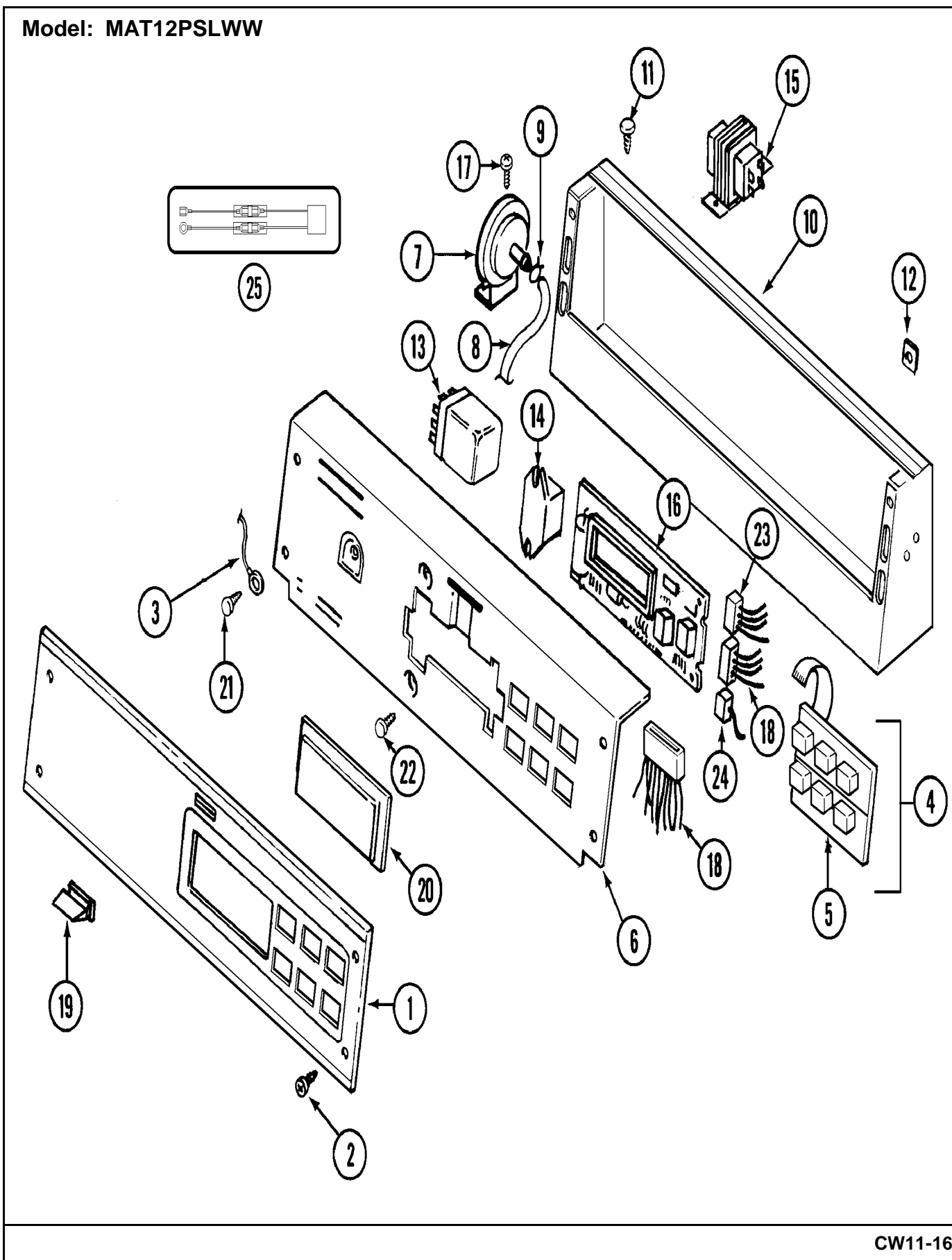
- Product Type
- Part Number
- Model Number
- Part Description

MAYTAG®

©2005 Maytag Services

Section: CONTROL PANEL

Model: MAT12PSLWW



CW11-16

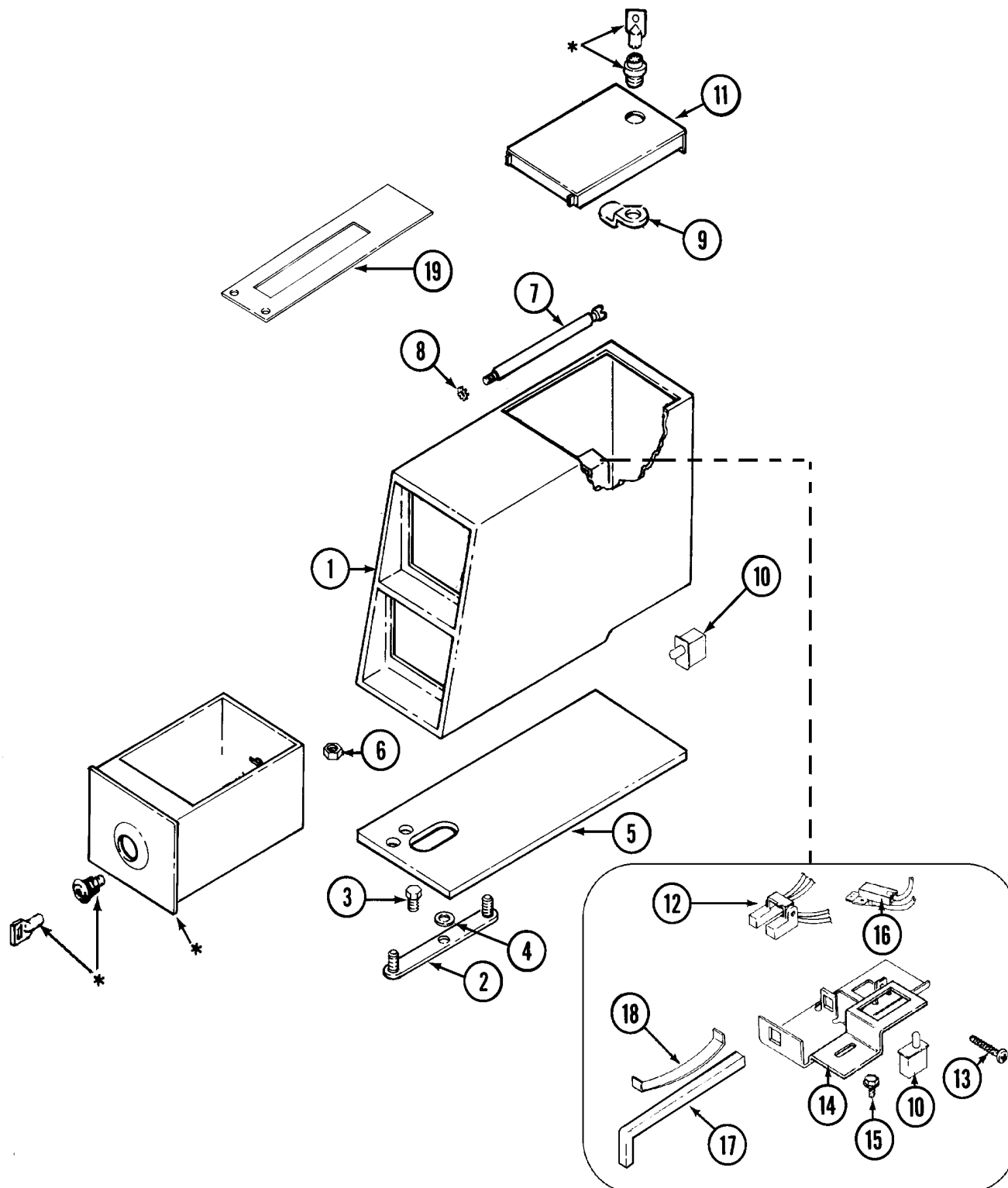
Section: CONTROL PANEL

No.	Part No.	Description	Series	Qty
1	2202536	FACIA, PD/PS	10	1
2	215506	SCREW, TORX	10	4
3	22001959	WIRE, GROUND	10	1
4	206808	CONTROL SWITCH ASSY.	10	1
5	33002863	BUTTON, PUSH	10	2
6	22003099	BRACKET, BACK (WHT)	10	1
7	2202532	SWITCH, PRESSURE - COMMER	10	1
8	22001619	TUBE, AIR	10	1
9	410296	CLAMP,WATER LEVEL SWTCH TUBE	10	1
10	2202540	COVER, CONTROL ASSEMBLY (WHT)	10	1
11	22001069	SCREW----NA	10	2
12	215003	FASTENER Note: CLIP, SCREW	10	2
13	206421	RELAY-MOTOR REVERSING	10	1
14	33002969	RELAY, SPST	10	1
-	22001866	SCREW, RELAY	10	1
-	313588	SCREW	10	2
15	22001960	TRANSFORMER	10	1
-	912077	LOCKNUT	10	4
-	33001204	STANDOFF, CIRCUIT BOARD	10	4
16	2205973	CONTROL BOARD----S	10	1
-	22002954	DEFLECTOR, WATER (W/ADHESIVE)	10	1
17	211168	SCREW, #8 X 5/16 INCH	10	2
18	2202538	HARNESS, WIRE - PD	10	1
-	22001973	HARNESS, PR SERVICE	10	1
19	214610	BUMPER, LID	10	1
20	22001962	COVER, DISPLAY	10	1
21	22003817	SCREW, SERRATED WASHER HEAD HX	10	1
22	215526	SCREW	10	2
23	22001965	SWITCH ASSY., OPTIC	10	1
24	22001965	SWITCH ASSY., OPTIC	10	1
25 N	12001277	KIT, SURGE SUPPRESSOR	10	1

*Color Code (-)=Not Shown #=Series, Serial Prefix or Run No., N=Not Available

Section: CONTROL CENTER

Model: MAT12PSLWW



*CONTACT YOUR COMMERCIAL LAUNDRY DISTRIBUTOR

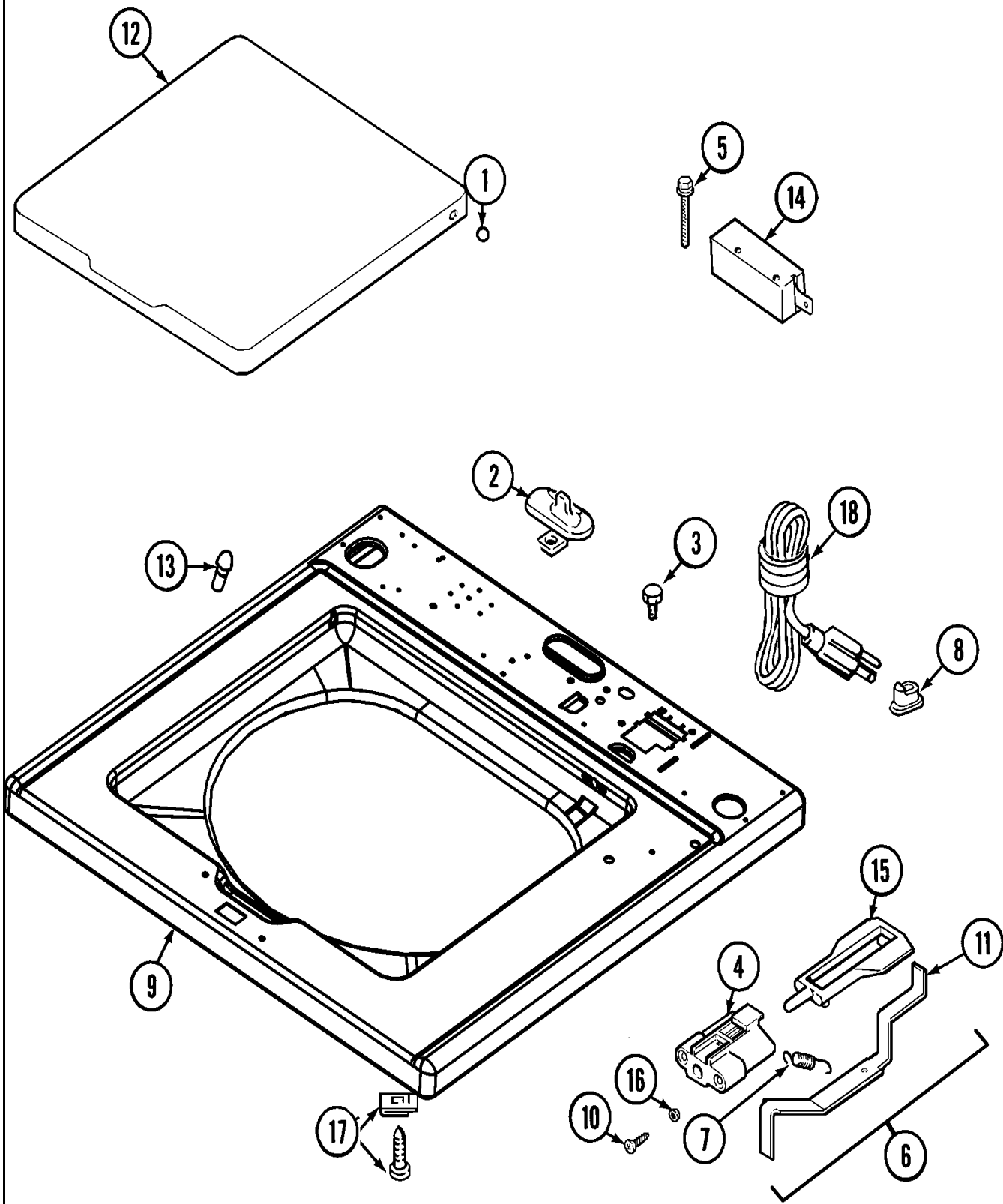
Section: CONTROL CENTER

No.	Part No.	Description	Series	Qty
1	22002478	VAULT, COIN (WHT)CS	10	1
2	22001810	STRAP, MOUNTING	10	1
3	211294	SCREW Note: SCREW, MOUNTING STRAP	10	1
4	910309	WASHER Note: WASHER, STRAP SCREW	10	1
5	22001870	GASKET, COIN VAULT (WHT)	10	1
6	Y052740	NUT Note: NUT, CASE MOUNTING	10	2
7	22001903	LOCKING BOLT, COIN SLIDE	10	1
8	910387	LOCK WASHER Note: LOCKWASHER, LOCKING BOLT	10	1
9	22003677	LOCKING CAM	10	1
10	33001250	SWITCH, SENSOR	10	2
-	912012	SCREW Note: SCREW, SENSOR SWITCH	10	2
11	22003679	TIMER ACCESS DOOR ASSY (WHITE)	10	1
12	22001965	SWITCH ASSY., OPTIC	10	1
13	314665	SCREW Note: SCREW, OPTIC SWITCH	10	1
14	33001253	BRACKET, SENSOR SWITCH	10	1
15	212276	SCREW Note: SCREW, SWITCH BRACKET	10	1
16	22001966	HARNESS, SENSOR SWITCH	10	1
17	216442	ROD, ACTUATOR	10	1
18	33001252	SPRING, SWITCH Note: SPRING, SWITCH ROD	10	1
19	22001812	ACTUATOR KIT, PS	10	1

*Color Code (-)=Not Shown #=Series, Serial Prefix or Run No., N=Not Available

Section: TOP

Model: MAT12PSLWW



CW13-22

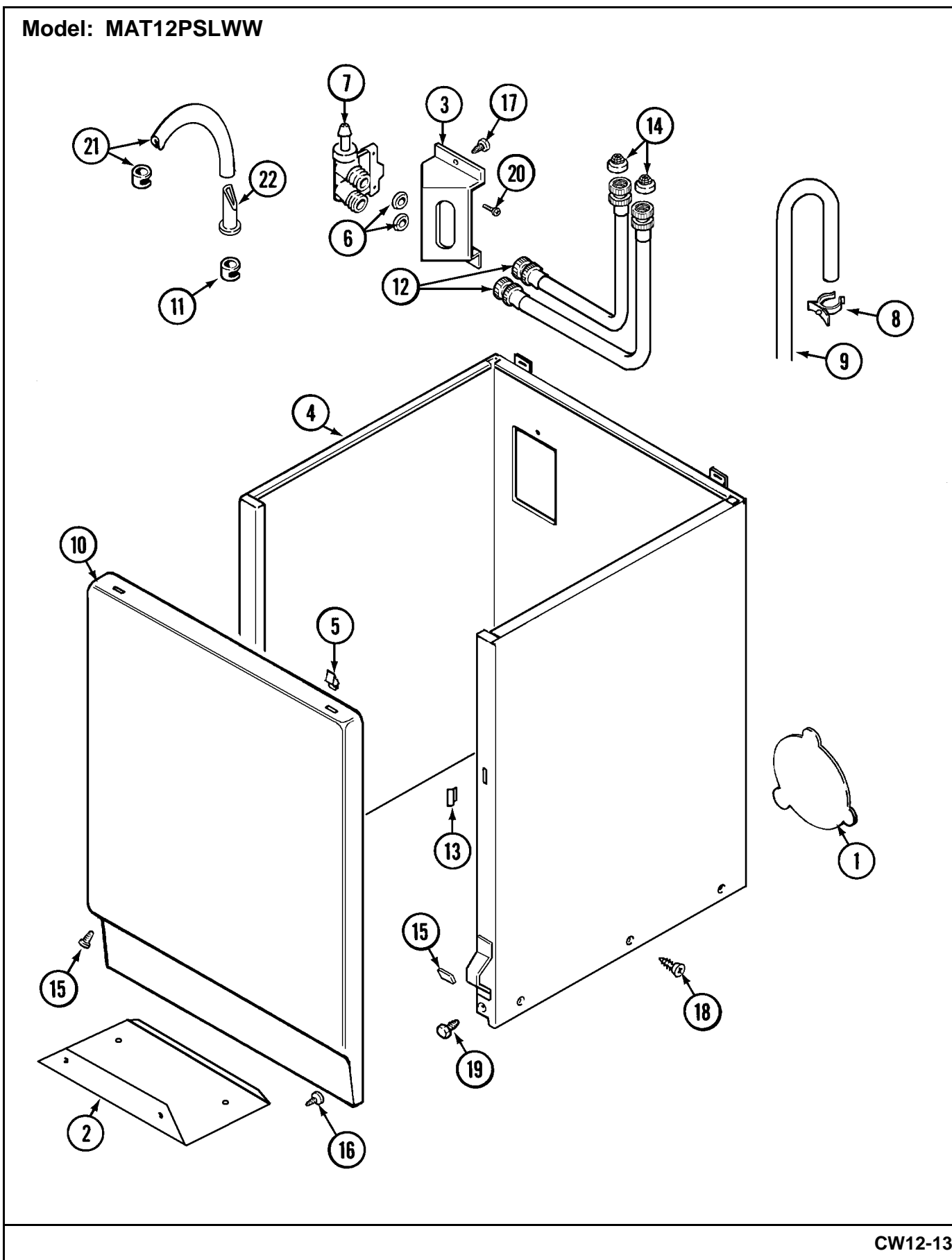
Section: TOP

No.	Part No.	Description	Series	Qty
1	211726	HINGE, BALL	10	2
2	22001298	CAP, TOP COVER	10	1
-	207159	SCREW Note: SCREW, CAP	10	1
3	210186	SCREW, GROUND WIRE TO BASE--NA Note: SCREW, GROUND WIRE	10	1
4	22002135	BRACKET, UNBALANCE	10	1
5	213501	SCREW, #6-20 X 1-1/8 INCH Note: SCREW, LID SWITCH	10	2
6	22001969	UNBALANCE LEVER ASSEMBLY	10	1
7	213720	SPRING	10	1
8	211881	GROMMET, CORD	10	1
9	22001970	COVER ASSY., TOP (WHT)	10	1
10	910182	SCREW Note: SCREW, PLUNGER BRACKET	10	2
11	22001672	LEVER, UNBALANCE	10	1
12	22001341	LID W/LEGEND (WHT) Note: LID (W/LEGEND-WHT)	10	1
13	212716	BUMPER, LID	10	2
14	22004243	SWITCH, LID	10	1
15	216255	PLUNGER, UNBALANCE Note: PLUNGER, LID SWITCH	10	1
16	211500	WASHER,BRACKE TO TOP COVER Note: WASHER, BRACKET	10	2
17	204445	SCREW & FASTENER ASY. Note: SCREW & FASTENER ASSEMBLY	10	2
18	22003027	CORD, POWER (AS WRAP)	10	1

*Color Code (-)=Not Shown #=Series, Serial Prefix or Run No., N=Not Available

Section: CABINET

Model: MAT12PSLWW



CW12-13

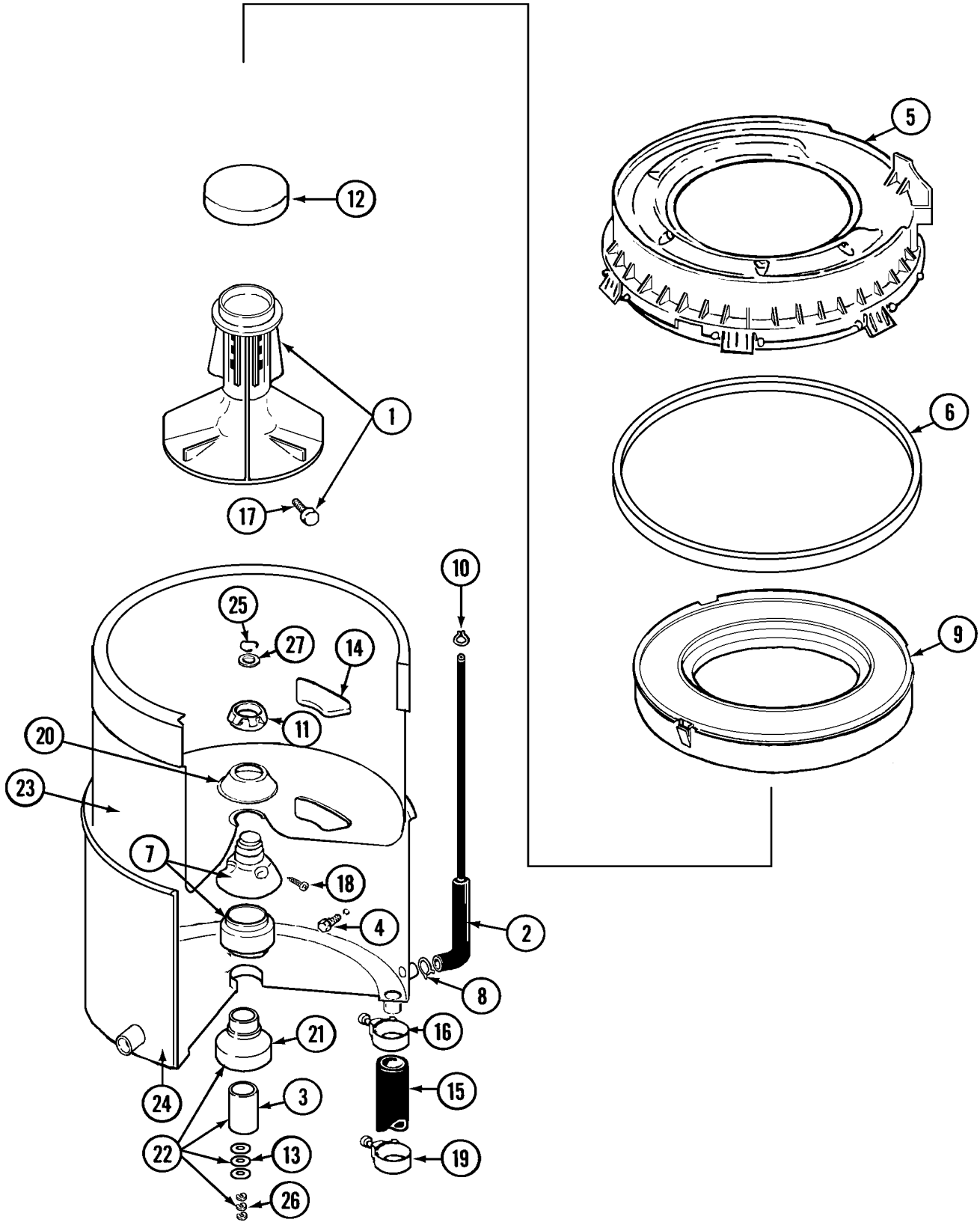
Section: CABINET

No.	Part No.	Description	Series	Qty
1	22002924	PLATE, COVER (W/HOLE) Note: PLATE, ACCESS (W/HOLE)	10	1
1	N 211878	PLATE, ACCESS	10	1
-	211294	SCREW Note: SCREW, PLATE	10	2
2	213846	GUARD, BELT	10	1
3	22002361	BRACKET, VALVE	10	1
-	22002382	FASTENER, V-BRACKET	10	4
4	N 22004425	CABINET WHT ASPACK	10	1
-	22002425	BRACKET, "V"	10	2
-	22001995	SCREW Note: SCREW, V-BRACKET	10	4
5	22001650	FASTENER, SPRING	10	2
6	Y013783	GASKET, INLET HOSE	10	4
-	205161	CLAMP - 15/16" Note: CLAMP, WATER VALVE	10	1
7	22004049	THERMISTOR WATER VALVE / COMM	10	1
8	22002151	CLIP, HOSE	10	1
-	22003814	RETAINER, DRAIN HOSE	10	1
9	22003410	HOSE, DRAIN	10	1
10	22001803	PANEL, FRONT (WHT)	10	1
11	205161	CLAMP - 15/16" Note: CLAMP, HOSE	10	1
12	12001901	KIT-INLET HOSE ASY(COLD)	10	1
12	12001900	KIT-INLET HOSE ASY(HOT)	10	1
13	22002331	SPACER	10	2
14	22002960	STRAINER, WASHER INLET	10	2
15	22001496	SCREW, TORX Note: SCREW, FRONT PANEL	10	2
15	213325	CLIP, RETAINER	10	2
16	211294	SCREW Note: SCREW, BELT GUARD	10	3
17	22003817	SCREW, SERRATED WASHER HEAD HX	10	2
18	33002190	SCREW (#10-3/8")	10	3
19	213121	SCREW Note: SCREW, CABINET	10	3
19	213122	SCREW,CBNT.TO FRNT OF BASE--NA Note: SCREW, CABINET	10	2
20	313561	SCREW---NA Note: SCREW, WATER VALVE	10	2
21	22001608	INJECTOR HOSE & BACKFLOW ASSY. Note: INJECTOR HOSE & CLAMP KIT	10	1
22	22001900	PREVENTER, BACK FLOW	10	1

*Color Code (-)=Not Shown #=Series, Serial Prefix or Run No., N=Not Available

Section: TUB

Model: MAT12PSLWW



CW17-5

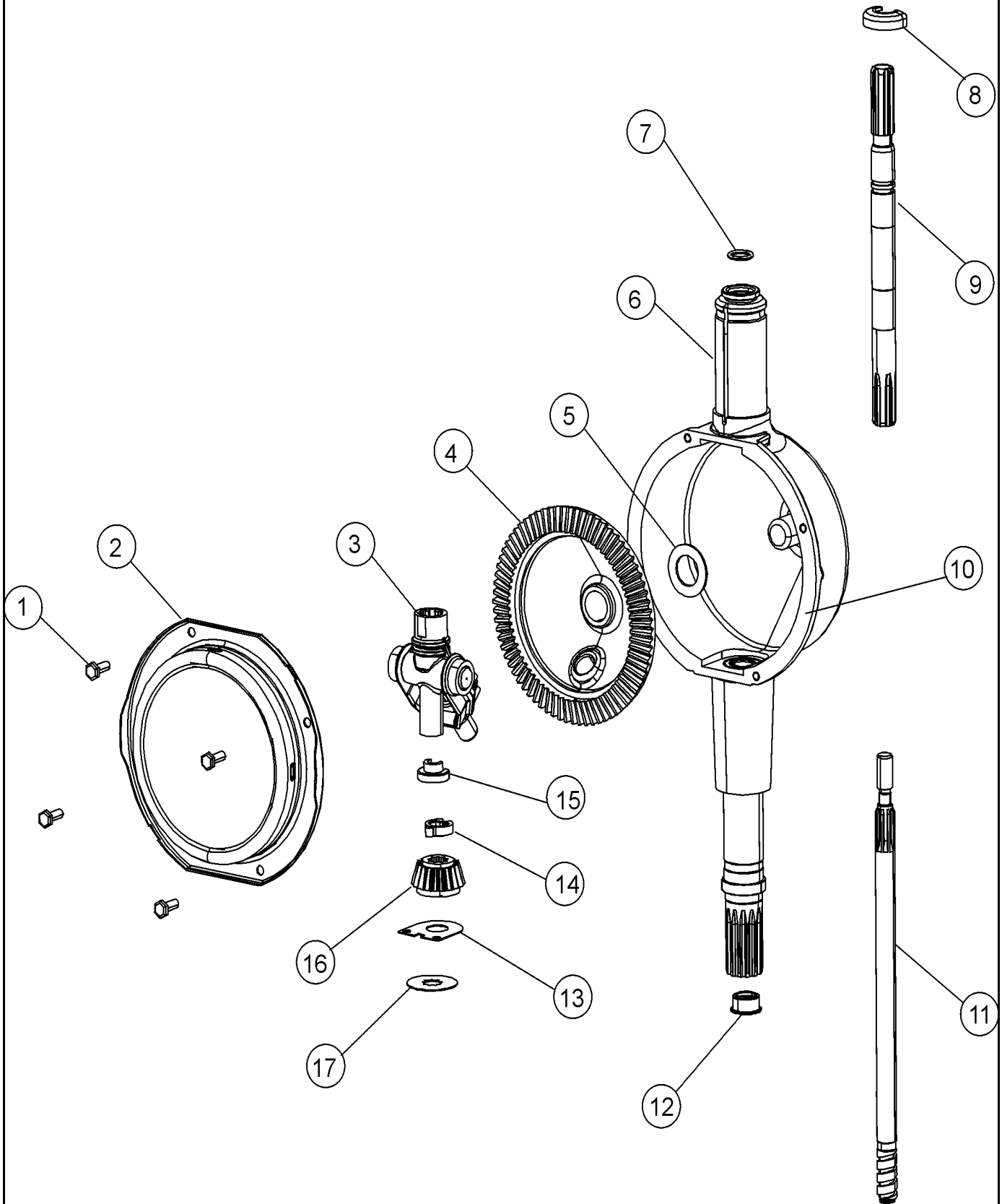
Section: TUB

No.	Part No.	Description	Series	Qty
1	208543	AGITATOR (W/LOCK SCREW) Note: AGITATOR (W/LOCK SCREW)	10	1
2	22001619	TUBE, AIR	10	1
3	211130	LINER, TUB BEARING	10	1
4	205254	BOLT & GASKET ASSEMBLY (LONG)	10	2
4	200744	BOLT & GASKET ASSY.(SHORT)	10	1
5	22001606	COVER ASSY., TUB	10	1
6	Y22001201	GASKET, TUB COVER---S Note: GASKET, TUB COVER	10	1
7	22001648	MOUNTING STEM AND SEAL KIT	10	1
8	211641	CLAMP, 1-1/16" Note: CLAMP (1-1/16")	10	1
9	22001142	RING, BALANCE (W/CONCRETE) Note: RING, BALANCE (W/CONCRETE)	10	1
10	410296	CLAMP,WATER LEVEL SWTCH TUBE Note: CLAMP, WATER LEVEL SWITCH TUBE	10	1
11	211047	NUT, CLAMPING (INNER TUB)	10	1
12	215532	AGITATOR CAP - BLACK Note: CAP, AGITATOR	10	1
13	211100	WASHER, CUSHION	10	3
14	W10124350	NOT REQUIRED PART OR SEE NOTE	10	2
15	Y212989	HOSE, OUTER TUB TO PUMP Note: HOSE, OUTER TUB	10	1
16	22001640	CLAMP, HOSE	10	1
17	206478	SCREW & WASHER FOR AGITATOR Note: SCREW & WASHER ASSEMBLY	10	1
18	22001423	SCREW, SET (TORX) Note: SET SCREW, MOUNTING STEM	10	1
19	22001640	CLAMP, HOSE Note: CLAMP, TUB HOSE	10	1
20	211210	WASHER,CLAMPING NUT(STAINLESS) Note: WASHER, CLAMPING NUT	10	1
21	200824	BEARING, TUB	10	1
22	204013	TUB BEARING REPAIR KIT	10	1
23	Y2201881	TUB, INNER SHORT WHITE SP	10	1
24	22003312	TUB, OUTER (AS PACKED)	10	1
25	Y015667	RETAINING RING	10	1
26	Y054867	WASHER, LOCK	10	3
27	015666	WASHER,RETAINING(CTR SEAL)---S Note: WASHER, RETAINING	10	1

*Color Code (-)=Not Shown #=Series, Serial Prefix or Run No., N=Not Available

Section: TRANSMISSION

Model: MAT12PSLWW



CW18-3

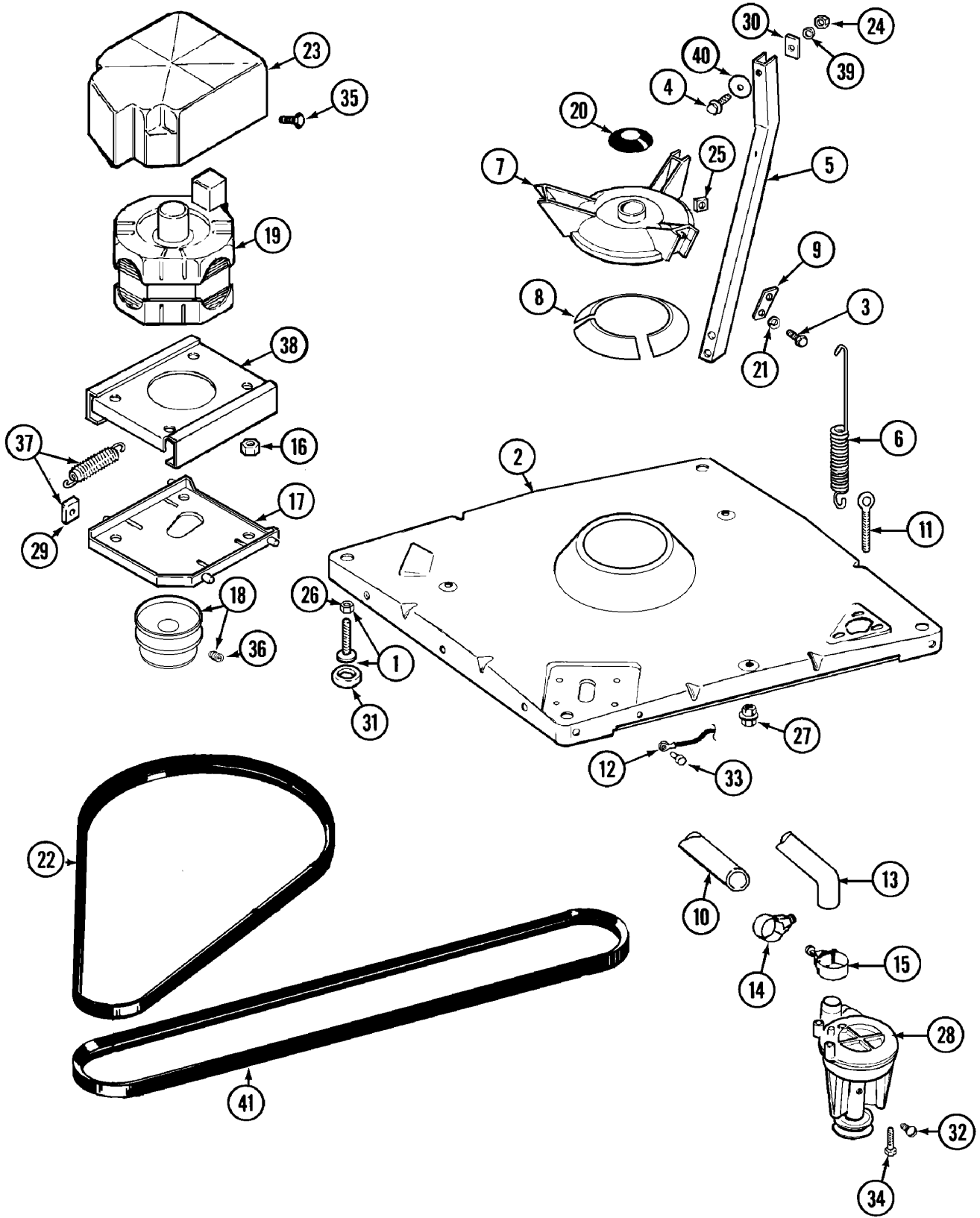
Section: TRANSMISSION

No.	Part No.	Description	Series	Qty
1	215417	SCREW, TRANSMISSION COVER	10	1
2	206628	COVER, TRANSMISSION	10	1
3	206685	BLOCK, TORQUE AND YOKE ASSEMBL	10	1
4	206713	GEAR, BEVEL	10	1
5	215394	WASHER, BEVEL GEAR	10	1
6	22002537	HOUSING, TRANSMISSION (SHW)	10	1
7	22002417	O-RING AGITATOR SHAFT	10	1
8	22002340	COLLAR, AGITATOR SHAFT	10	1
9	22002415	SHAFT, AGITATOR	10	1
10	Y058700	SILASTIC,ADH.SEALANT	10	1
11	22002343	SHAFT, CENTER (SHALLOW TUB)	10	1
12	207843	LIP SEAL REPAIR KIT	10	1
13	215395	PLATE, CLUTCH	10	1
14	22002353	COLLAR, CENTER SHAFT	10	1
15	22002341	COLLAR, LOWER PLASTIC KEEPER	10	1
16	215401	PINION	10	1
17	211483	WASHER, SPLINED	10	1
-	22002375	TRANSMISSION, ORB(SHALLOW TUB)	10	1

*Color Code (-)=Not Shown #=Series, Serial Prefix or Run No., N=Not Available

Section: BASE

Model: MAT12PSLWW



CW19-29

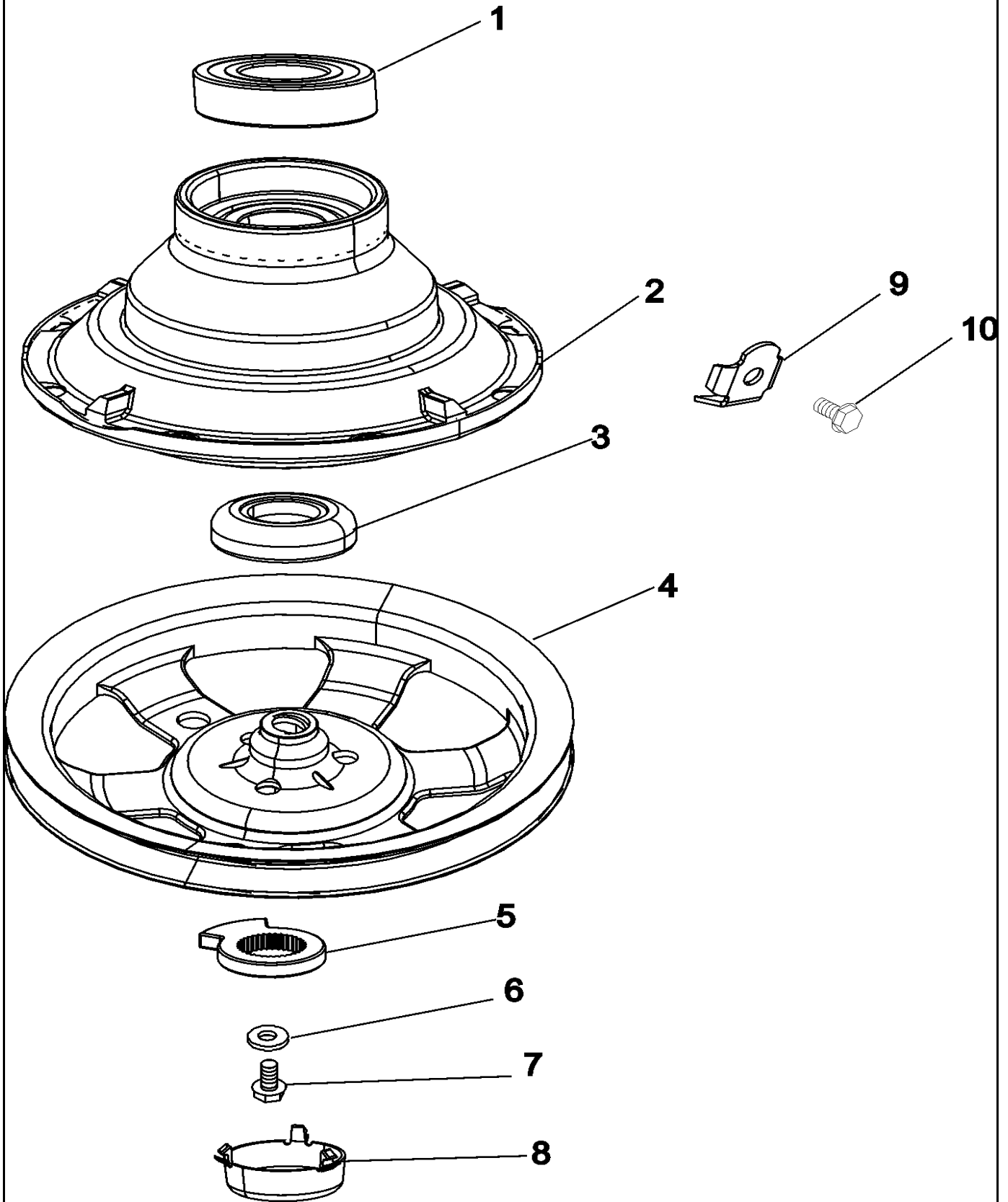
Section: BASE

No.	Part No.	Description	Series	Qty
1	22003428	LEG, ADJUSTABLE (W/NUT)	10	4
2	22002150	BASE (W/DAMPER PADS)	10	1
3	Y015627	SCREW, HEX HD CAP 5/16 X 5/8	10	6
4	200744	BOLT & GASKET ASSY.(SHORT)	10	1
4	205254	BOLT & GASKET ASSEMBLY (LONG)	10	2
5	213100	BRACE, TUB	10	3
6	22001300	SPRING, CENTERING	10	3
7	203725	DAMPER W/BOLT & CLIP Note: DAMPER (W/BOLT & CLIP)	10	1
8	203956	DAMPER PAD KIT (W/POLY LUBE) Note: DAMPER PAD KIT (W/POLY LUBE)	10	1
9	213073	WASHER, DOUBLE Note: WASHER, DOUBLE	10	3
10	22001816	HOSE, DRAIN	10	1
11	216416	BOLT, EYE/CENTERING SPRING	10	3
12	901220	WIRE, GROUND	10	1
13	Y212989	HOSE, OUTER TUB TO PUMP Note: HOSE, OUTER TUB	10	1
14	22001820	CLAMP, HOSE	10	1
15	22001640	CLAMP, HOSE	10	1
16	311426	NUT, WASHERED LOCK Note: NUT, MOTOR BASE	10	3
17	22001301	MOUNT, MOTOR LOWER-ASSEMBLY	10	1
18	200816	PULLEY, MOTOR (W/SET SCREW) Note: PULLEY, MOTOR (W/SET SCREW)	10	1
19	22004301	MOTOR, 1 SPEED 120V 60HZ	10	1
20	22001586	DEFLECTOR, WATER	10	1
21	911852	WASHER, LOCK (BRACE) Note: WASHER, LOCK (BRACE)	10	1
22	211125	V BELT,DRIVE PULLEY	10	1
23	215098	SHIELD, MOTOR	10	1
24	Y052734	NUT Note: NUT, BRACE (TUB)	10	3
25	Y052785	NUT,BRACE TO DAMPER Note: NUT, BRACE (DAMPER)	10	6
26	210385	NUT, LOCK	10	4
27	211949	NUT, EYEBOLT	10	3
28	202203	PUMP AS PAK	10	1
29	204998	GLIDE KIT (4 W/POLY LUBE)	10	1
30	212979	WASHER, TUB BRACE	10	3
31	210684	FOOT, RUBBER	10	4
32	Y015408	SCREW, BEARING INSERT	10	1
33	210186	SCREW, GROUND WIRE TO BASE--NA Note: SCREW, GROUND WIRE	10	1
34	211880	SCREW, HEX HD #10 X 1/2 INC	10	3
35	213121	SCREW	10	1
36	Y053241	SET SCREW, PULLEY	10	1
37	205000	GLIDE & SPRING KIT	10	1
38	214956	MOUNT, MOTOR/UPPER	10	1
39	Y054867	WASHER, LOCK Note: WASHER, LOCK (BRACE)	10	3
40	211100	WASHER, CUSHION Note: WASHER, CUSHION (BRACE)	10	3
41	211124	V BELT, PUMP	10	1

*Color Code (-)=Not Shown #=Series, Serial Prefix or Run No., N=Not Available

Section: CLUTCH & BRAKE

Model: MAT12PSLWW



CW20-11

Section: CLUTCH & BRAKE

No.	Part No.	Description	Series	Qty
1	200720	BALL BEARING, RADIAL----S	10	1
2	201190	BRAKE ASSEMBLY	10	1
3	200835	BEARING, BRAKE ROTOR	10	1
4	22002429	PULLEY	10	1
5	211089	LUG, STOP	10	1
6	211090	WASHER, LOCK Note: WASHER, LOCK (DRIVE LUG)	10	1
7	211375	SCREW,STOP LUG(CENTER SHAFT) Note: SCREW, DRIVE LUG	10	1
8	22002428	COVER, DUST (PLASTIC)	10	1
9	213325	CLIP, RETAINER	10	1
10	213326	SCREW, RETAINING CLIP Note: BOLT, RETAINING CLIP	10	1

*Color Code (-)=Not Shown #=Series, Serial Prefix or Run No., N=Not Available

