

# Repair Parts List

MODEL NUMBER  
MAT12PRSAW

## WASHER

When requesting service or ordering parts, always provide the following information:

- Product Type
- Part Number
- Model Number
- Part Description

**MAYTAG**®

©2005 Maytag Services



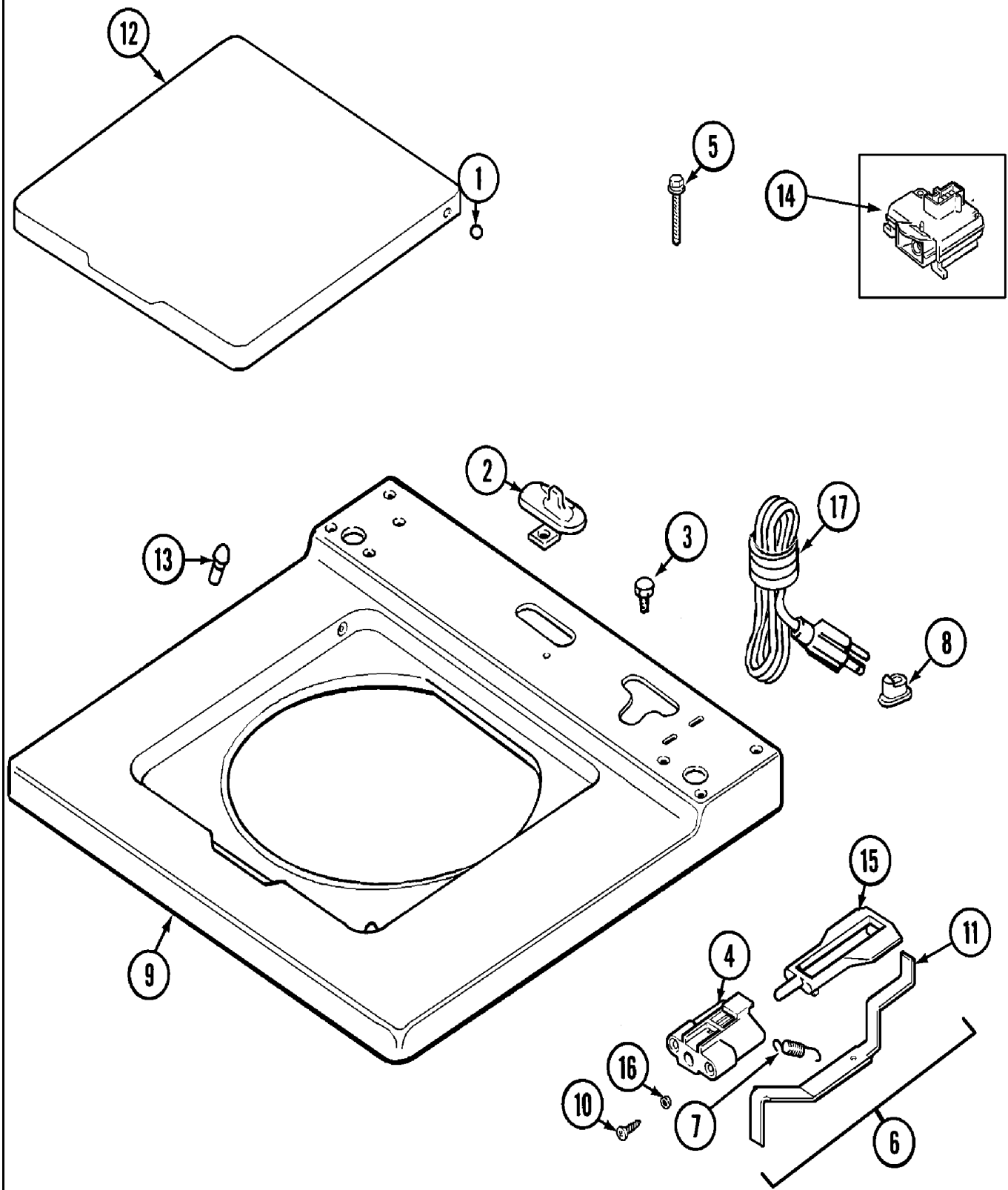
## Section: CONTROL PANEL

No.	Part No.	Description	Series	Qty
1	22001974	PANEL, CONTROL	10	1
1	22004286	FACIA - PR	12	1
1	22004318	FACIA - PR Note: SERIAL NUMBERS 12032022EA THUR-96EA SHOULD HAVE 22004318	13	1
2	215506	SCREW, TORX Note: SCREW, CONTROL PANEL	10	4
3	22001959	WIRE, GROUND	10	1
-	215527	SCREW Note: SCREW, SWITCH	10	2
4	206808	CONTROL SWITCH ASSY. Note: CONTROL SWITCH ASSEMBLY	10	1
5	215517	PUSHBUTTON	10	2
6	22003207	BRACKET, BACK (WHT)	10	1
-	315211	SCREW	10	1
-	912077	LOCKNUT	10	1
7	22001308	SWITCH, WATER LEVEL	10	1
8	22001619	TUBE, AIR	10	1
9	410296	CLAMP, WATER LEVEL SWTCH TUBE	10	1
10	22003093	CONSOLE (WHT)	10	1
11	216423	SCREW Note: SCREW, CONSOLE	10	4
12	215003	FASTENER Note: CLIP, SCREW	10	2
13	206421	RELAY-MOTOR REVERSING	10	1
14	206824	RELAY, SPST 24VDC	10	1
-	211294	SCREW	10	1
-	313559	SCREW	10	1
15	22001960	TRANSFORMER	10	1
-	912077	LOCKNUT Note: LOCKNUT, CONTROL BOARD	10	2
-	33001204	STANDOFF, CIRCUIT BOARD	10	4
16	22004048	COMMERCIAL D.C. CONTROL BOARD	10	1
-	22002954	DEFLECTOR, WATER (W/ADHESIVE)	10	2
17	211294	SCREW Note: SCREW, WATER LEVEL SWITCH	10	2
18	22004057	WIRE HARNESS	10	1
18	22004397	HARNESS, WIRE	14	1
19	214610	BUMPER, LID	10	1
20	22001962	COVER, DISPLAY	10	1
21	210186	SCREW, GROUND WIRE TO BASE--NA Note: SCREW, GROUND WIRE	10	1
22	215526	SCREW Note: SCREW, CONTROL BOARD	10	2
23	22001976	BEZEL	10	1
24	12001277	KIT, SURGE SUPPRESSOR	10	1
-	33001856	READER HARNESS KIT (16")	10	1
-	22001973	HARNESS, PR SERVICE	10	1

\*Color Code (-)=Not Shown #=Series, Serial Prefix or Run No., N=Not Available

Section: TOP

Model: MAT12PRSAW



CW13-17

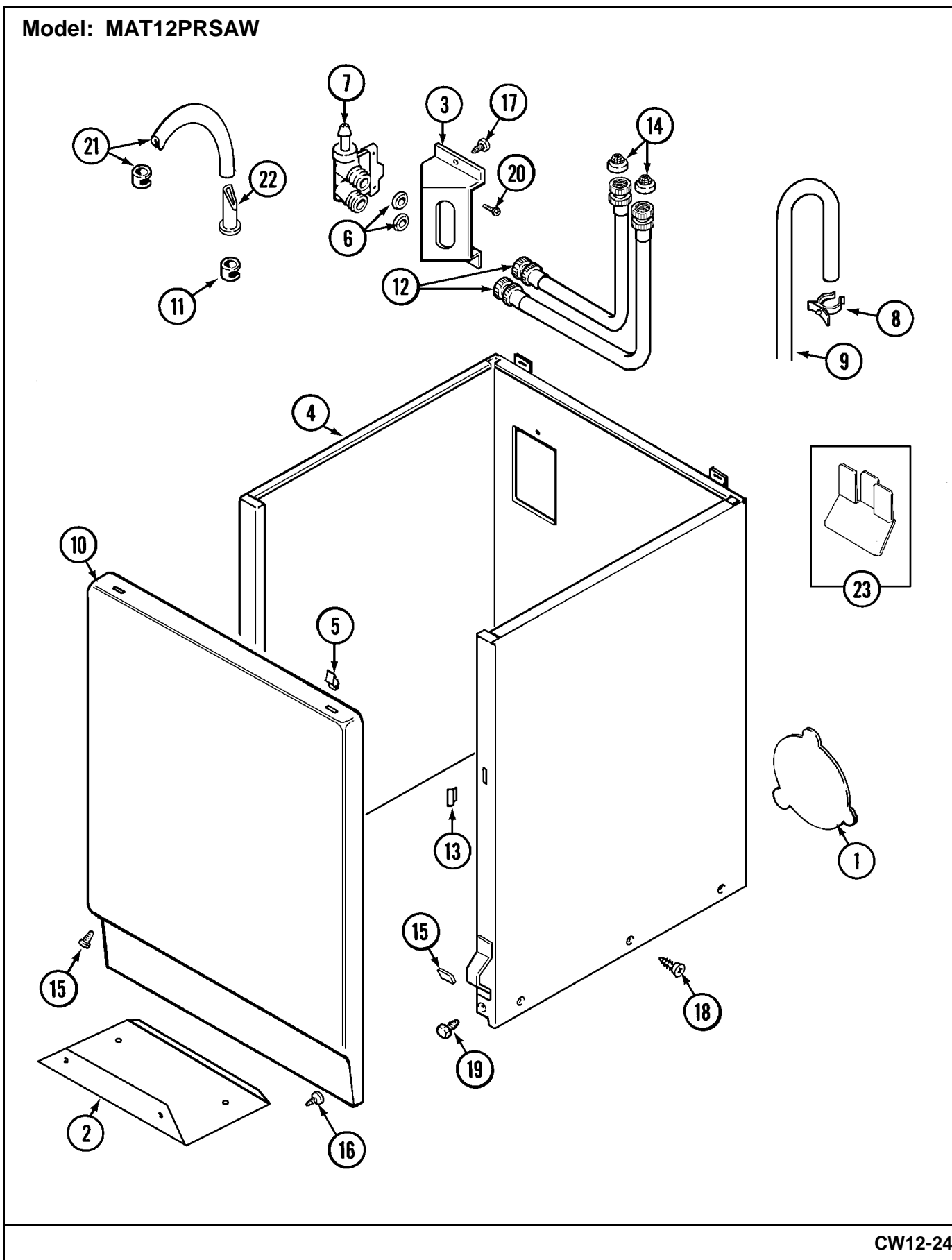
**Section: TOP**

No.	Part No.	Description	Series	Qty
1	211726	HINGE, BALL	10	2
2	22001298	CAP, TOP COVER	10	1
-	207159	SCREW Note: SCREW, CAP	10	1
3	210186	SCREW, GROUND WIRE TO BASE--NA Note: SCREW, GROUND WIRE	10	1
4	22002135	BRACKET, UNBALANCE	10	1
5	213501	SCREW, #6-20 X 1-1/8 INCH Note: SCREW, LID SWITCH	10	2
6	22001969	UNBALANCE LEVER ASSEMBLY	10	1
7	213720	SPRING	10	1
8	211881	GROMMET, CORD	10	1
9	22002137	COVER ASSY., TOP (WHT-PR)	10	1
10	910182	SCREW Note: SCREW, PLUNGER BRACKET	10	2
11	22001968	LEVER, UNBALANCE	10	1
12	22001357	LID W/LEGEND (WHT)	10	1
13	212716	BUMPER, LID	10	2
14	22003440	SWITCH, LID (120V)	10	1
15	216255	PLUNGER, UNBALANCE Note: PLUNGER, LID SWITCH	10	1
16	211500	WASHER,BRACKE TO TOP COVER Note: WASHER, BRACKET	10	2
17	22001549	CORD, POWER	10	1

\*Color Code (-)=Not Shown #=Series, Serial Prefix or Run No., N=Not Available

Section: CABINET

Model: MAT12PRSAW



CW12-24

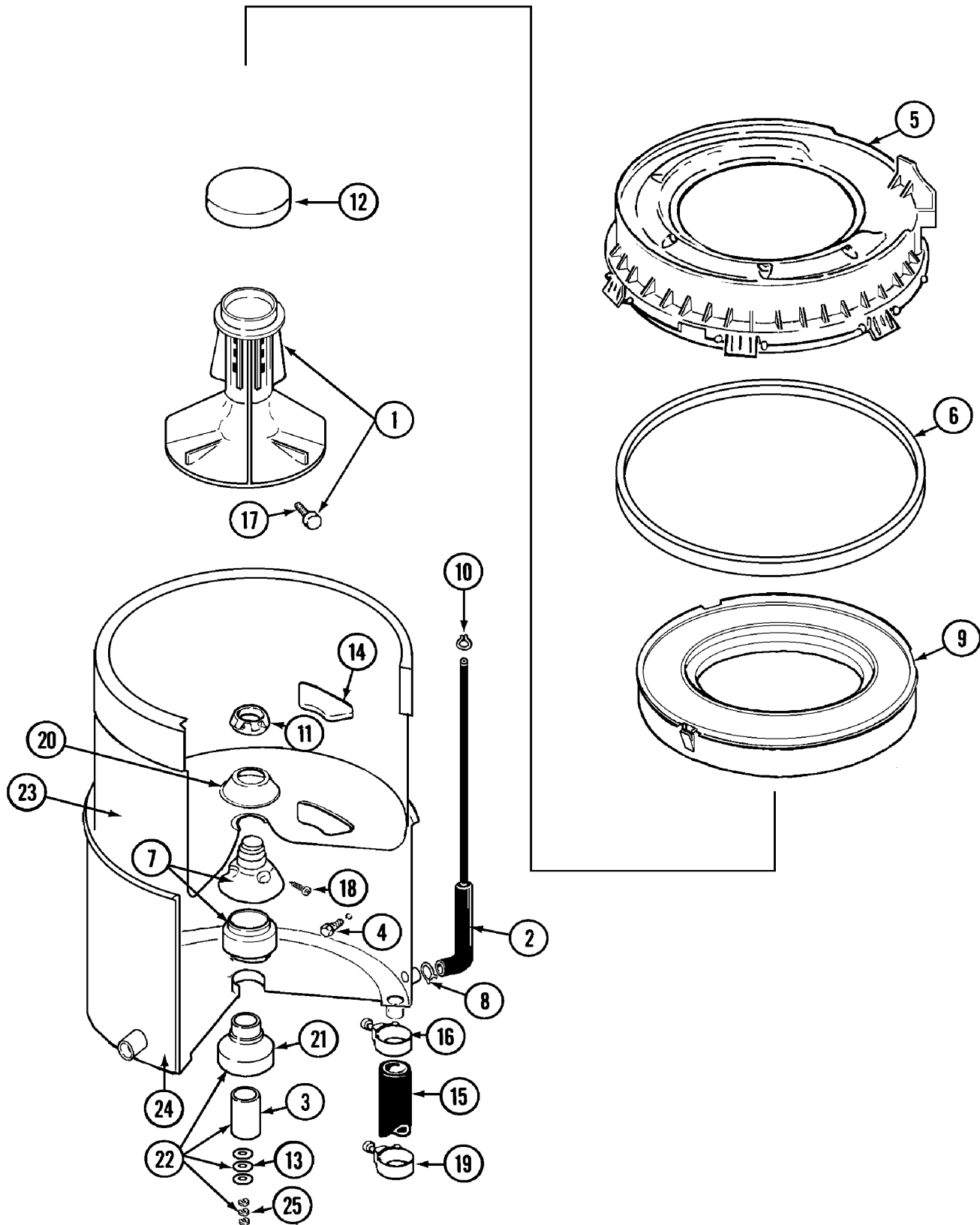
## Section: CABINET

No.	Part No.	Description	Series	Qty
1	22002924	PLATE, COVER (W/HOLE)	10	1
-	211294	SCREW Note: SCREW, PLATE	10	2
2	213846	GUARD, BELT	10	1
-	22002372	SCREW	10	1
3	22002361	BRACKET, VALVE	10	1
-	22001972	CLIP, CABINET	10	1
4	22002379	CABINET (WHT)	10	1
4	22004425	CABINET WHT ASPACK	15	1
5	22001650	FASTENER, SPRING	10	2
6	Y013783	GASKET, INLET HOSE Note: WASHER, INLET HOSE	10	2
7	22004049	THERMISTOR WATER VALVE / COMM	10	1
8	22001815	CLIP, HOSE	10	1
9	22002700	HOSE, DRAIN	10	1
-	22002701	RETAINER, DRAIN HOSE	10	1
10	22001803	PANEL, FRONT (WHT)	10	1
11	205161	CLAMP - 15/16" Note: CLAMP, HOSE	10	1
12	12001900	KIT-INLET HOSE ASY(HOT)	10	1
12	12001901	KIT-INLET HOSE ASY(COLD)	10	1
13	22002331	SPACER	10	2
14	22002960	STRAINER, WASHER INLET	10	2
15	22001496	SCREW, TORX Note: SCREW, FRONT PANEL	10	2
16	211294	SCREW Note: SCREW, BELT GUARD	10	3
17	22002300	SCREW	10	1
18	213007	SCREW, CABINET Note: SCREW, CABINET SIDES	10	6
19	213122	SCREW,CBNT.TO FRNT OF BASE--NA Note: SCREW, CABINET	10	2
19	213121	SCREW Note: SCREW, CABINET	10	3
20 N	313561	SCREW----NA Note: SCREW, WATER VALVE	10	2
21	22001608	INJECTOR HOSE & BACKFLOW ASSY. Note: INJECTOR HOSE & CLAMP KIT	10	1
22	22001900	PREVENTER, BACK FLOW	10	1
23	22001972	CLIP, CABINET	10	1

\*Color Code (-)=Not Shown #=Series, Serial Prefix or Run No., N=Not Available

Section: TUB

Model: MAT12PRSAW



CW17-46



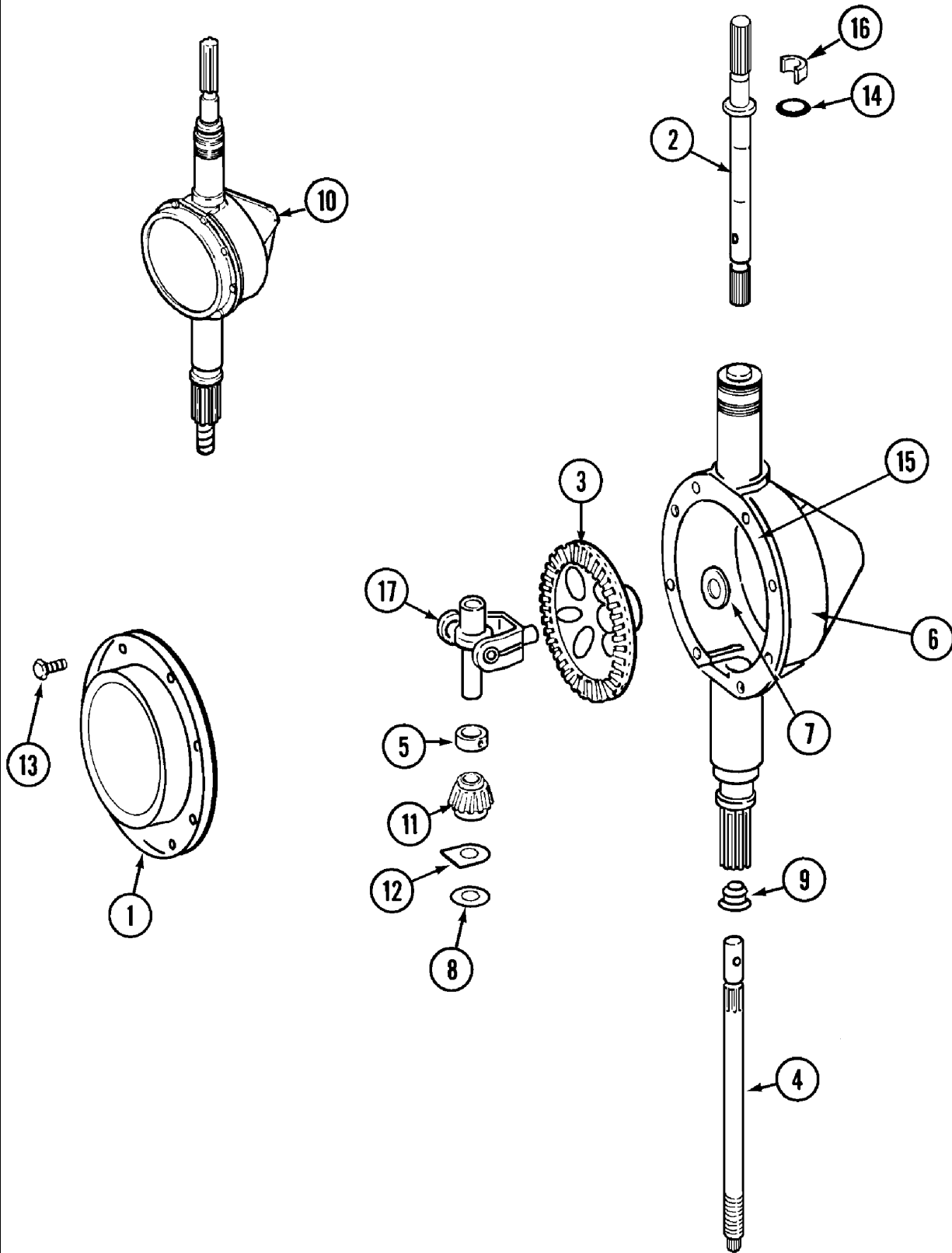
## Section: TUB

No.	Part No.	Description	Series	Qty
1	208543	AGITATOR (W/LOCK SCREW)	10	1
2	212942	AIR DOME AND TUBE	10	1
3	211130	LINER, TUB BEARING	10	1
4	205254	BOLT & GASKET ASSEMBLY (LONG)	10	2
4	200744	BOLT & GASKET ASSY.(SHORT)	10	1
5	22001606	COVER ASSY., TUB	10	1
6	Y22001201	GASKET, TUB COVER Note: GASKET, TUB COVER	10	1
7	22004012	6 POS. ATC ROTARY TEMP. SWITCH	10	1
8	211641	CLAMP, 1-1/16"	10	1
9	22001142	RING, BALANCE (W/CONCRETE)	10	1
10	22003295	CLAMP, HOSE DOUBLE WIRE Note: CLAMP, WATER LEVEL SWITCH TUBE	10	1
11	211047	NUT, CLAMPING (INNER TUB)	10	1
12	215532	AGITATOR CAP - BLACK	10	1
13	211100	WASHER, CUSHION	10	3
14	215980	PLUG, FILTER HOLE Note: PLUG, TUB	10	2
15	Y212989	HOSE, OUTER TUB TO PUMP Note: HOSE, OUTER TUB	10	1
16	22001640	CLAMP, HOSE	10	1
17	206478	SCREW & WASHER FOR AGITATOR Note: SCREW & WASHER ASSEMBLY	10	1
18	22001423	SCREW, SET (TORX) Note: SET SCREW, MOUNTING STEM	10	1
19	22001640	CLAMP, HOSE Note: CLAMP, TUB HOSE	10	1
20	211210	WASHER,CLAMPING NUT(STAINLESS) Note: WASHER, CLAMPING NUT	10	1
21	200824	BEARING, TUB	10	1
22	204013	TUB BEARING REPAIR KIT	10	1
23	22001141	TUB, INNER (LARGE-GRY) Note: TUB, INNER	10	1
24	22001115	TUB, OUTER (LARGE)	10	1
25	Y054867	WASHER, LOCK	10	3

\*Color Code (-)=Not Shown #=Series, Serial Prefix or Run No., N=Not Available

Section: TRANSMISSION

Model: MAT12PRSAW



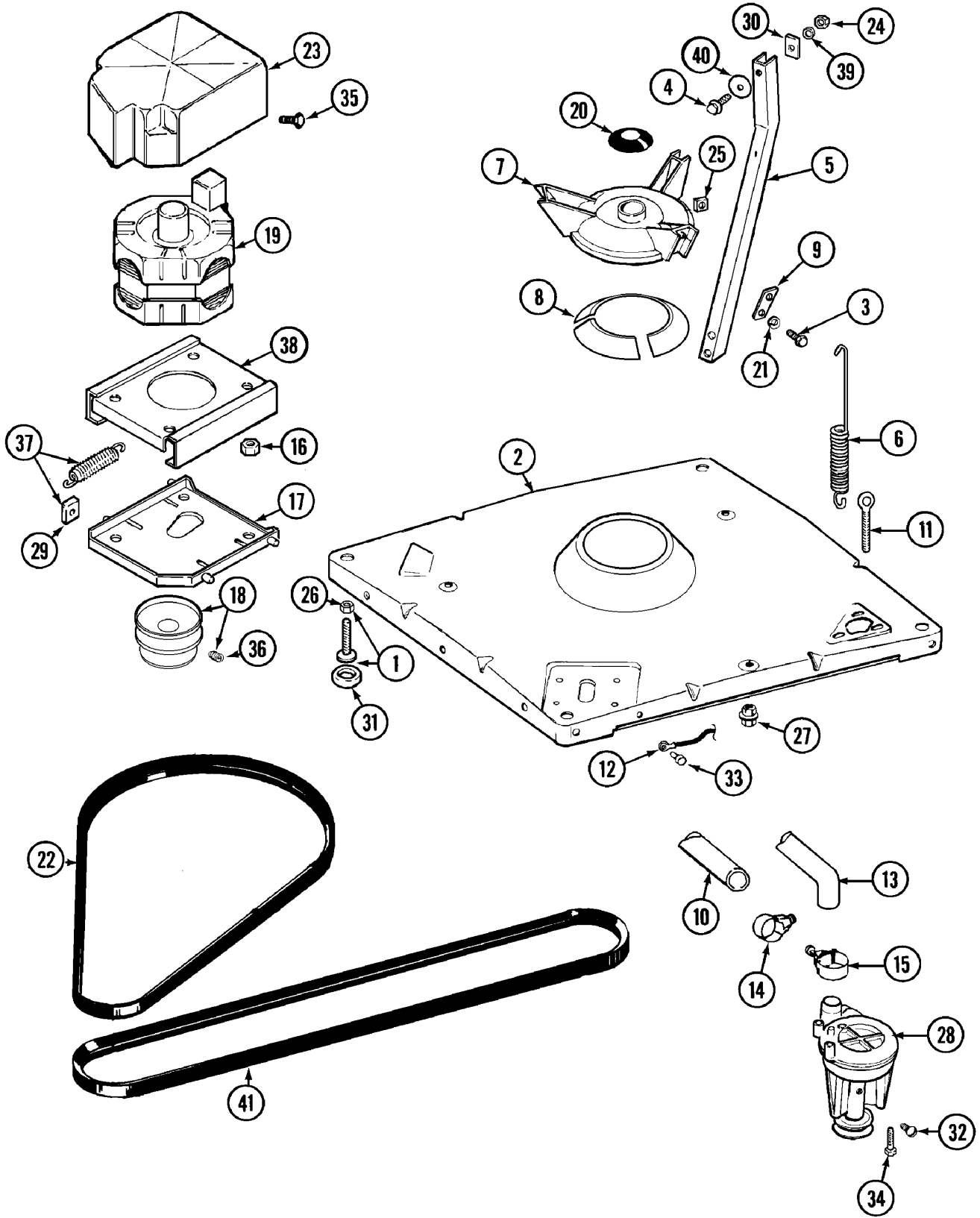
## Section: TRANSMISSION

No.	Part No.	Description	Series	Qty
1	206628	COVER, TRANSMISSION	10	1
2	22002415	SHAFT, AGITATOR	10	1
3	206713	GEAR, BEVEL	10	1
4	22002343	SHAFT, CENTER (SHALLOW TUB)	10	1
5	22002353	COLLAR, CENTER SHAFT	10	1
6	22002537	HOUSING, TRANSMISSION (SHW)	10	1
-	056080	TRANS LUBE - AUTO, 34 OZ.	10	1
7	215394	WASHER, BEVEL GEAR	10	1
8	211483	WASHER, SPLINED	10	1
9	206602	SEAL, LIP (CENTER SHAFT)	10	1
10	22002375	TRANSMISSION, ORB(SHALLOW TUB)	10	1
11	215401	PINION	10	1
12	215395	PLATE, CLUTCH	10	1
13	215417	SCREW, TRANSMISSION COVER	10	4
14	22002417	O-RING AGITATOR SHAFT	10	1
15	Y058700	SILASTIC,ADH.SEALANT Note: SILASTIC, ADHESIVE SEALANT	10	1
16	22002340	COLLAR, AGITATOR SHAFT	10	1
17	206685	BLOCK, TORQUE AND YOKE ASSEMBL	10	1

\*Color Code (-)=Not Shown #=Series, Serial Prefix or Run No., N=Not Available

Section: BASE

Model: MAT12PRSAW



CW19-29

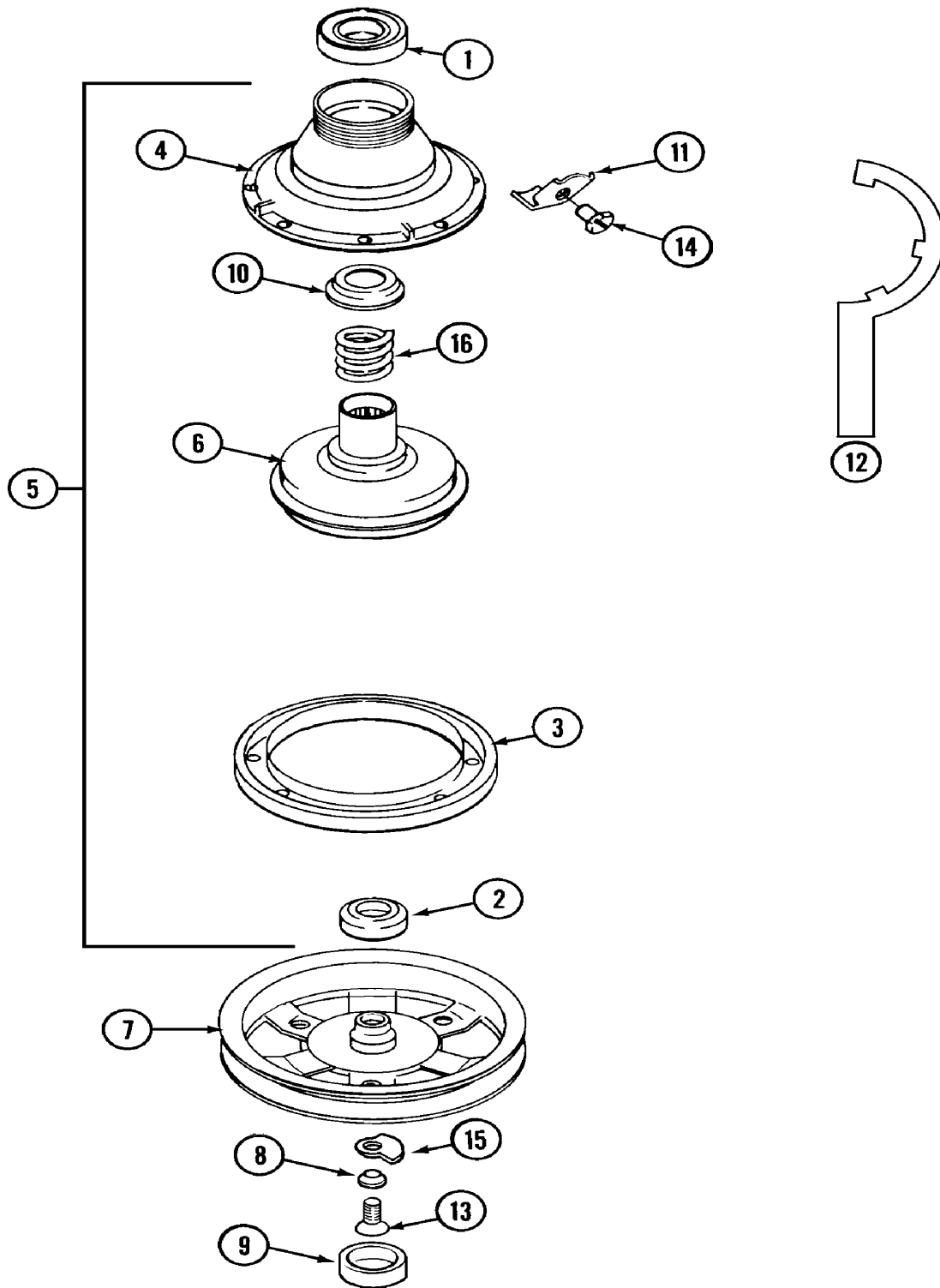
## Section: BASE

No.	Part No.	Description	Series	Qty
1	22003428	LEG, ADJUSTABLE (W/NUT)	10	4
2	22002150	BASE (W/DAMPER PADS)	10	1
3	22004078	BOLT, 5/16	10	6
4	205254	BOLT & GASKET ASSEMBLY (LONG)	10	2
4	200744	BOLT & GASKET ASSY.(SHORT)	10	1
5	213100	BRACE, TUB	10	3
6	22001300	SPRING, CENTERING	10	3
7	203725	DAMPER W/BOLT & CLIP Note: DAMPER (W/BOLT & CLIP)	10	1
8	203956	DAMPER PAD KIT (W/POLY LUBE) Note: DAMPER PAD KIT (W/POLY LUBE)	10	1
9	213073	WASHER, DOUBLE Note: WASHER, DOUBLE	10	3
10	22002700	HOSE, DRAIN	10	1
11	216416	BOLT, EYE/CENTERING SPRING	10	3
12	901220	WIRE, GROUND	10	1
13	Y212989	HOSE, OUTER TUB TO PUMP	10	1
14	22001640	CLAMP, HOSE	10	1
15	22001640	CLAMP, HOSE	10	1
16	311426	NUT, WASHERED LOCK	10	3
17	22001301	MOUNT, MOTOR LOWER-ASSEMBLY	10	1
18	200816	PULLEY, MOTOR (W/SET SCREW)	10	1
19	22004301	MOTOR, 1 SPEED 120V 60HZ	14	1
19	201805	MOTOR (ONE SPEED)	10	1
20	22002954	DEFLECTOR, WATER (W/ADHESIVE)	10	2
21	911852	WASHER, LOCK (BRACE) Note: WASHER, LOCK (BRACE)	10	1
22	211125	V BELT,DRIVE PULLEY Note: V BELT, DRIVE PULLEY	10	1
23	215098	SHIELD, MOTOR	10	1
24	Y052734	NUT Note: NUT, BRACE (TUB)	10	3
25	Y052785	NUT,BRACE TO DAMPER Note: NUT, BRACE (DAMPER)	10	6
26	210385	NUT, LOCK	10	4
27	211949	NUT, EYEBOLT	10	3
28	202203	PUMP AS PAK	10	1
29	204998	GLIDE KIT (4 W/POLY LUBE)	10	1
30	212979	WASHER, TUB BRACE	10	3
31	210684	FOOT, RUBBER	10	4
32	22003235	SCREW, BEARING INSERT (HEX)	10	1
33	210186	SCREW, GROUND WIRE TO BASE--NA Note: SCREW, GROUND WIRE	10	1
34	211880	SCREW, HEX HD #10 X 1/2 INC Note: SCREW, PUMP	10	3
35	213121	SCREW Note: SCREW, MOTOR SHIELD	10	1
36	Y053241	SET SCREW, PULLEY Note: SET SCREW, MOTOR PULLEY	10	1
37	205000	GLIDE & SPRING KIT	10	1
38	214956	MOUNT, MOTOR/UPPER Note: PLATE, MOTOR MOUNT (UPR)	10	1
39	Y054867	WASHER, LOCK Note: WASHER, LOCK (BRACE)	10	3
40	211100	WASHER, CUSHION Note: WASHER, CUSHION (BRACE)	10	3
41	211124	V BELT, PUMP	10	1

\*Color Code (-)=Not Shown #=Series, Serial Prefix or Run No., N=Not Available

Section: CLUTCH & BRAKE

Model: MAT12PRSAW



CW20-10

**Section: CLUTCH & BRAKE**

No.	Part No.	Description	Series	Qty
1	200720	BALL BEARING, RADIAL	10	1
2	200835	BEARING, BRAKE ROTOR	10	1
3	22003890	BRAKE STATOR (DRUM)	10	1
4	22003891	SUPPORT FOR BRAKE STATOR-DRUM	10	1
5	201190	BRAKE ASSEMBLY	10	1
6	201126	ROTOR, BRAKE (W/FACING)	10	1
7	22002429	PULLEY	10	1
8	211090	WASHER, LOCK	10	1
9	22002428	COVER, DUST (PLASTIC)	10	1
10	211039	RETAINER, BRAKE SPRING	10	1
11	213325	CLIP, RETAINER	10	1
12	Y038315	TOOL, BRAKE PKG ASSY	10	1
13	211375	SCREW, STOP LUG(CENTER SHAFT)	10	1
14	213326	SCREW, RETAINING CLIP	10	1
15	211089	LUG, STOP	10	1
16	211041	SPRING, BRAKE	10	1

\*Color Code (-)=Not Shown #=Series, Serial Prefix or Run No., N=Not Available

**Section: SUPPLEMENTAL INFORMATION**

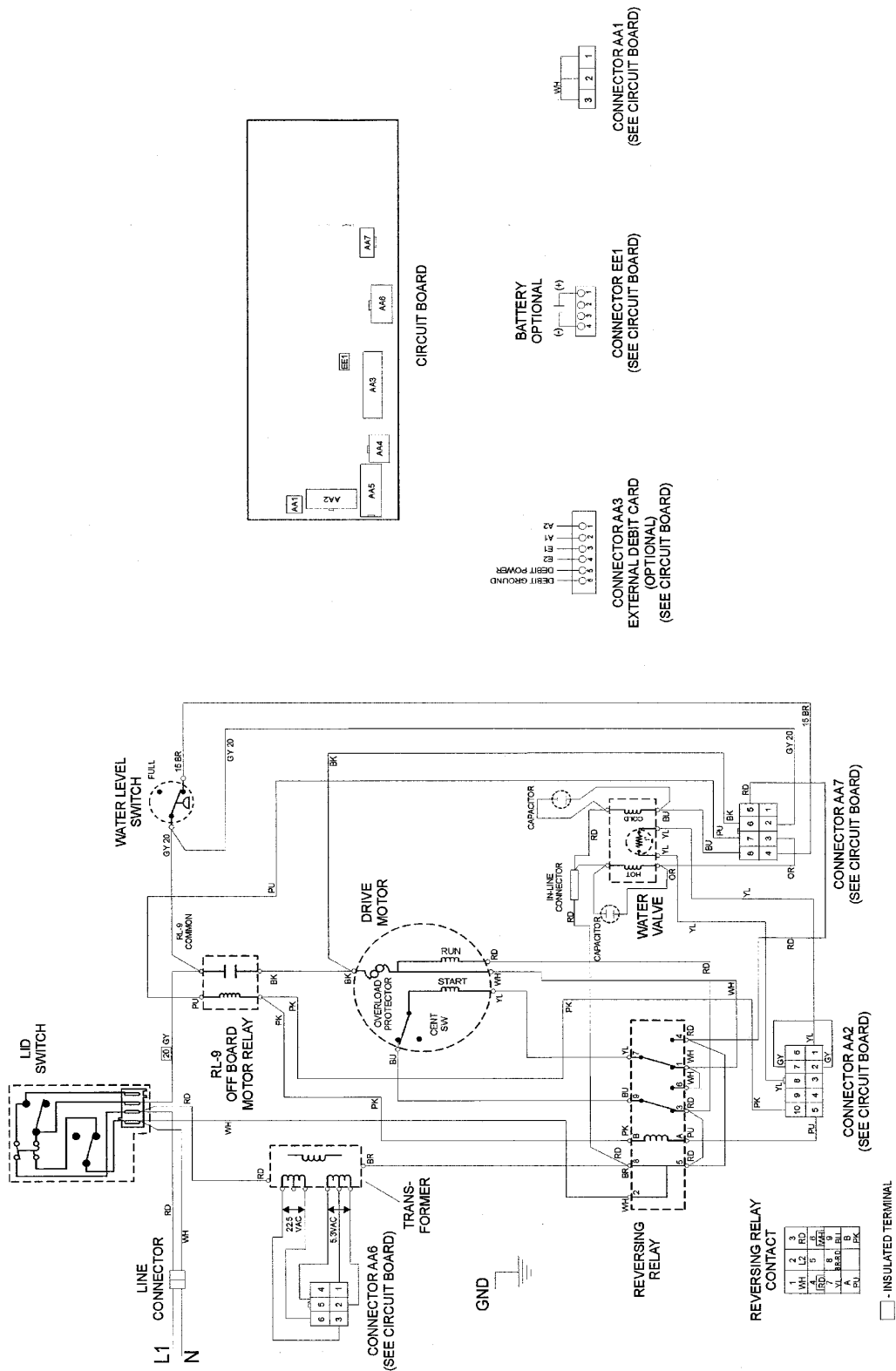
No.	Part No.	Description	Series Qty
1	22004057	WIRE HARNESS	1
1	22004100	HARNESS, READER	1
1	22001973	HARNESS, PR SERVICE	1

\*Color Code (-)=Not Shown #=Series, Serial Prefix or Run No., N=Not Available



# Section: WIRING INFORMATION

## Model: MAT12PRSAW



15003083

