

Repair Parts List

MODEL NUMBER
MAT12PDSAW

WASHER

When requesting service or ordering parts, always provide the following information:

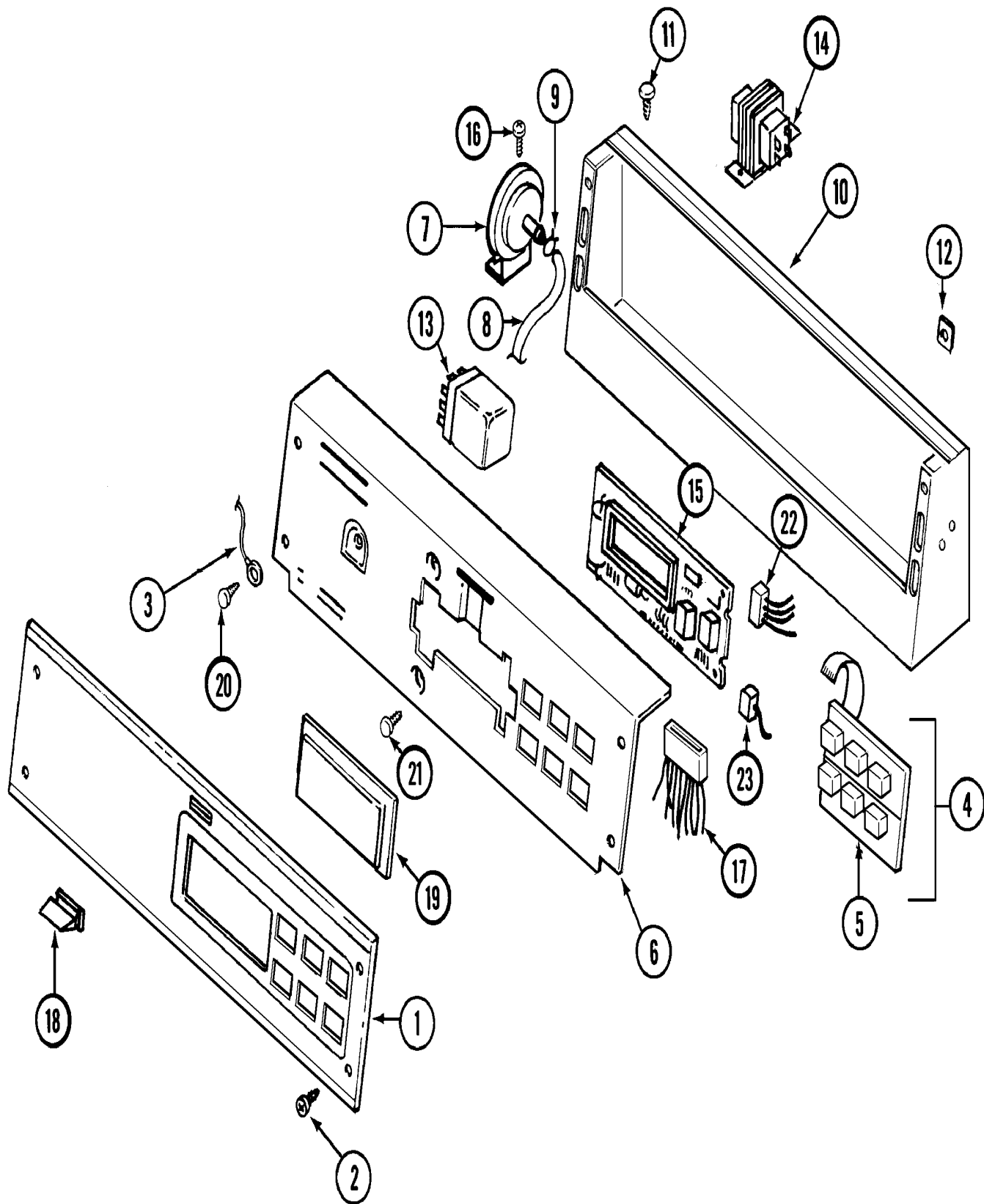
- Product Type
- Part Number
- Model Number
- Part Description

MAYTAG®

©2005 Maytag Services

Section: CONTROL PANEL

Model: MAT12PDSAW



CW11-26

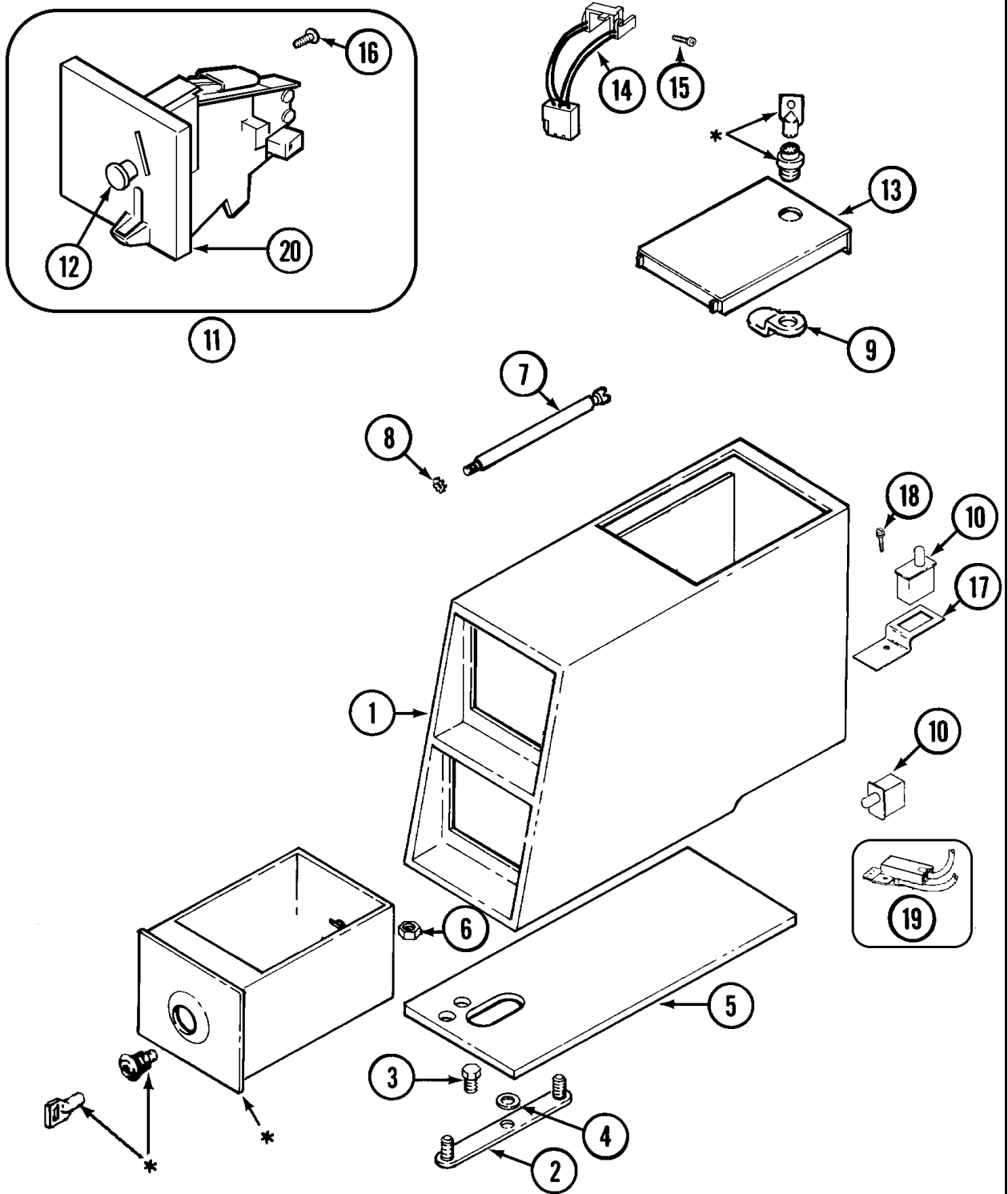
Section: CONTROL PANEL

No.	Part No.	Description	Series	Qty
1	22004058	CONTROL PANEL, FACIA (PD/PS)	10	1
1	22004287	FACIA - PD	12	1
1	22004305	FACIA, PD/PS (CONTROL PANEL)	13	1
2	215506	SCREW, TORX Note: SCREW, CONTROL PANEL	10	4
3	22001959	WIRE, GROUND	10	1
-	215526	SCREW Note: SCREW, SWITCH	10	2
4	206808	CONTROL SWITCH ASSY.	10	1
5	215517	PUSHBUTTON	10	2
6	22003099	BRACKET, BACK (WHT)	10	1
7	22001308	SWITCH, WATER LEVEL Note: SWITCH, WATER LEVEL	10	1
8	22001619	TUBE, AIR Note: TUBE, WATER LEVEL SWITCH	10	1
9	22003295	CLAMP, HOSE DOUBLE WIRE Note: CLAMP, WATER LEVEL TUBE	10	1
10	22003091	CONSOLE (WHT)	10	1
11	212276	SCREW Note: SCREW, CONSOLE	10	2
12	215003	FASTENER Note: CLIP, SCREW	10	2
13	206421	RELAY-MOTOR REVERSING	10	1
-	206824	RELAY, SPST 24VDC	10	1
-	313559	SCREW	10	1
14	22001960	TRANSFORMER	10	1
-	211294	SCREW	10	1
-	22002954	DEFLECTOR, WATER (W/ADHESIVE)	10	2
-	912077	LOCKNUT Note: LOCKNUT, CONTROL BOARD	10	4
-	33001204	STANDOFF, CIRCUIT BOARD	10	4
15	22004048	COMMERCIAL D.C. CONTROL BOARD	10	1
16	211294	SCREW Note: SCREW, WATER LEVEL SWITCH	10	2
17	22004396	HARNESS, WIRE	14	1
17	22004056	WIRE HARNESS	10	1
18	214610	BUMPER, LID Note: BUMPER, LID	10	1
19	22001962	COVER, DISPLAY	10	1
20	210186	SCREW, GROUND WIRE TO BASE--NA Note: SCREW, GROUND WIRE	10	1
21	215527	SCREW Note: SCREW, CONTROL BOARD	10	2
22	22001965	SWITCH ASSY., OPTIC	10	1
23	22001966	HARNESS, SENSOR SWITCH	10	1

*Color Code (-)=Not Shown #=Series, Serial Prefix or Run No., N=Not Available

Section: CONTROL CENTER

Model: MAT12PDSAW



* CONTACT YOUR COMMERCIAL LAUNDRY DISTRIBUTOR

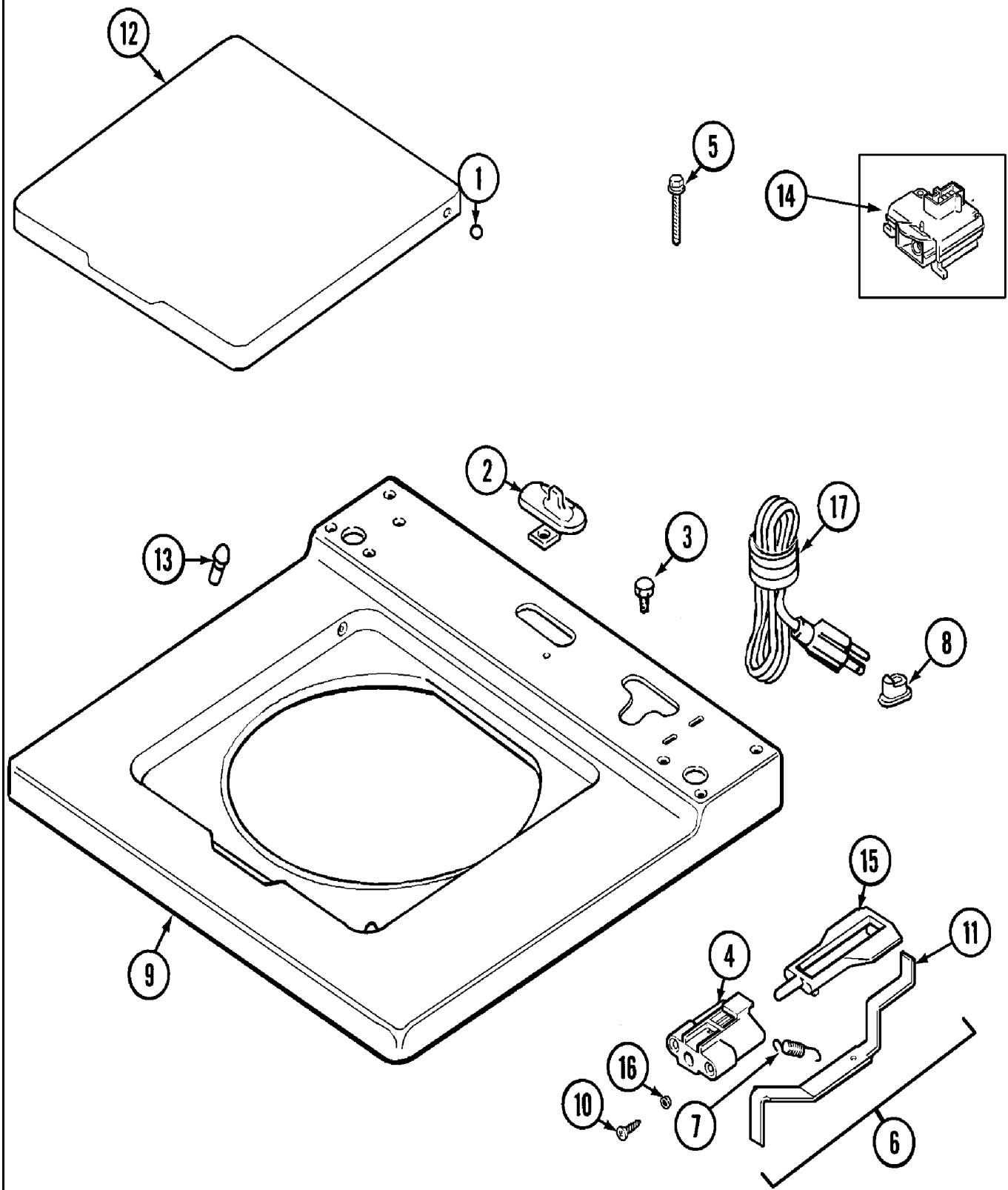
Section: CONTROL CENTER

No.	Part No.	Description	Series	Qty
1	22002480	VAULT, COIN (WHT)PD	10	1
2	22001810	STRAP, MOUNTING	10	1
3	211294	SCREW Note: SCREW, MOUNTING STRAP	10	1
4	910309	WASHER Note: WASHER, STRAP SCREW	10	1
5	22001870	GASKET, COIN VAULT (WHT)	10	1
6	Y052740	NUT Note: NUT, CASE MOUNTING	10	2
7	213035	BOLT, LOCKING	10	2
8	910181	LOCK WASHER Note: LOCKWASHER, LOCKING BOLT	10	2
9	N 22001905	CAM, LOCKING	10	1
10	33001250	SWITCH, SENSOR	10	2
-	912012	SCREW Note: SCREW, SENSOR SWITCH	10	2
11	22004112	COIN DROP GREENWALD US.25	11	1
11	33002648	COIN DROP-U.S. (0.25)	10	1
12	216200	BUTTON, RETURN Note: BUTTON, RETURN	10	1
13	22001910	DOOR, ACCESS (WHT)	10	1
14	22001965	SWITCH ASSY., OPTIC	10	1
15	314665	SCREW Note: SCREW, OPTIC SWITCH	10	1
16	216068	SCREW Note: SCREW, COIN DROP	10	3
17	22001404	BRACKET, SWITCH	10	1
18	212276	SCREW Note: SCREW, SWITCH BRACKET	10	1
19	22001966	HARNESS, SENSOR SWITCH	10	1
20	33002647	SINGLE FACEPLATE ASSEMBLY	11	1
20	33002647	SINGLE FACEPLATE ASSEMBLY	10	1

*Color Code (-)=Not Shown #=Series, Serial Prefix or Run No., N=Not Available

Section: TOP

Model: MAT12PDSAW



CW13-17

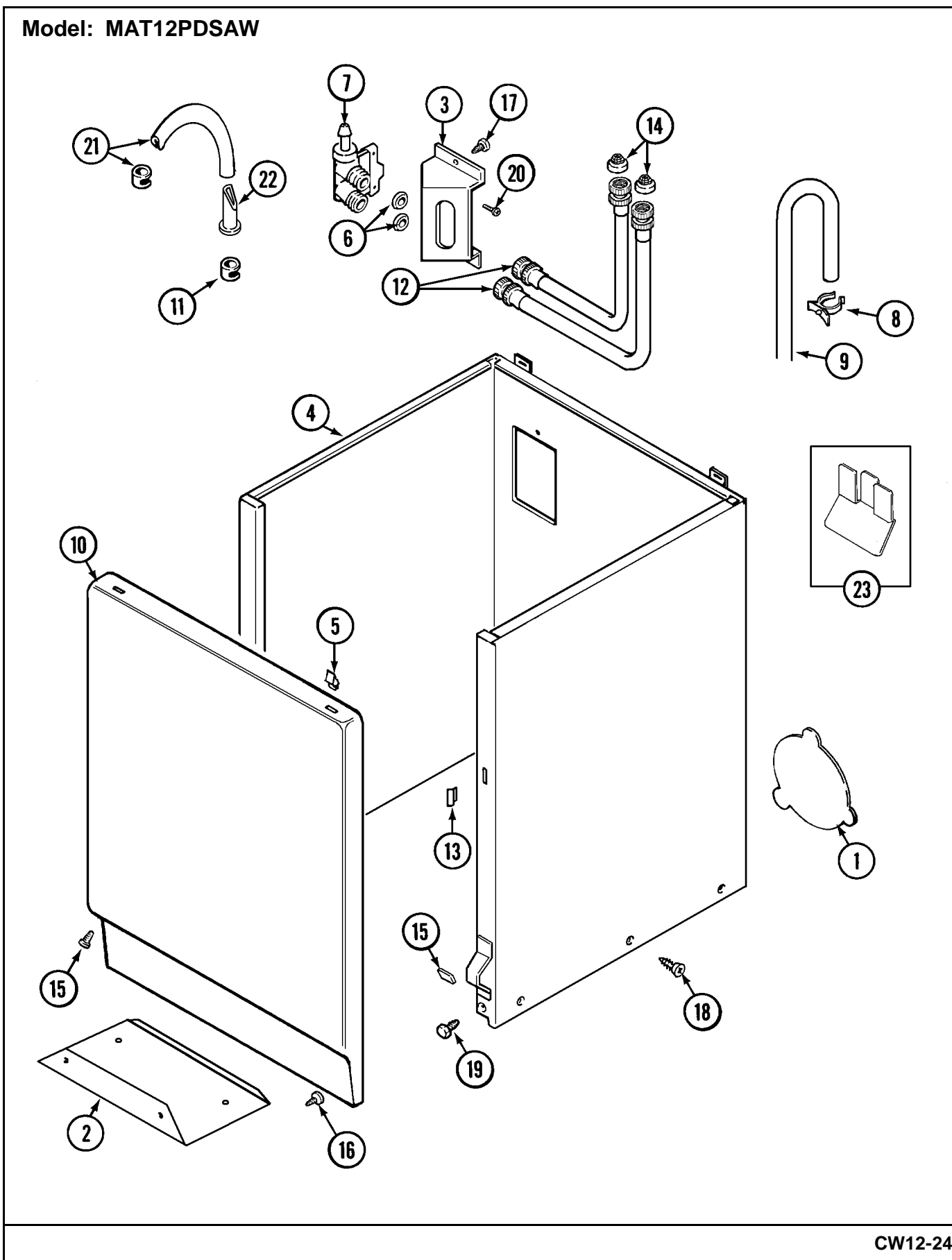
Section: TOP

No.	Part No.	Description	Series	Qty
1	211726	HINGE, BALL	10	2
-	207159	SCREW Note: SCREW, CAP	10	1
2	22001298	CAP, TOP COVER	10	1
3	210186	SCREW, GROUND WIRE TO BASE--NA Note: SCREW, GROUND WIRE	10	1
4	22002135	BRACKET, UNBALANCE	10	1
5	213501	SCREW, #6-20 X 1-1/8 INCH Note: SCREW, LID SWITCH	10	2
6	22001969	UNBALANCE LEVER ASSEMBLY	10	1
7	213720	SPRING	10	1
8	211881	GROMMET, CORD	10	1
9	22001970	COVER ASSY., TOP (WHT)	10	1
10	910182	SCREW Note: SCREW, PLUNGER BRACKET	10	2
11	22001968	LEVER, UNBALANCE	10	1
12	22001888	LID (W/LEGEND-WHT)	10	1
13	212716	BUMPER, LID	10	2
14	22003440	SWITCH, LID (120V)	10	1
15	216255	PLUNGER, UNBALANCE Note: PLUNGER, LID SWITCH	10	1
16	211500	WASHER,BRACKE TO TOP COVER Note: WASHER, BRACKET	10	2
17	22001549	CORD, POWER	10	1

*Color Code (-)=Not Shown #=Series, Serial Prefix or Run No., N=Not Available

Section: CABINET

Model: MAT12PDSA



CW12-24

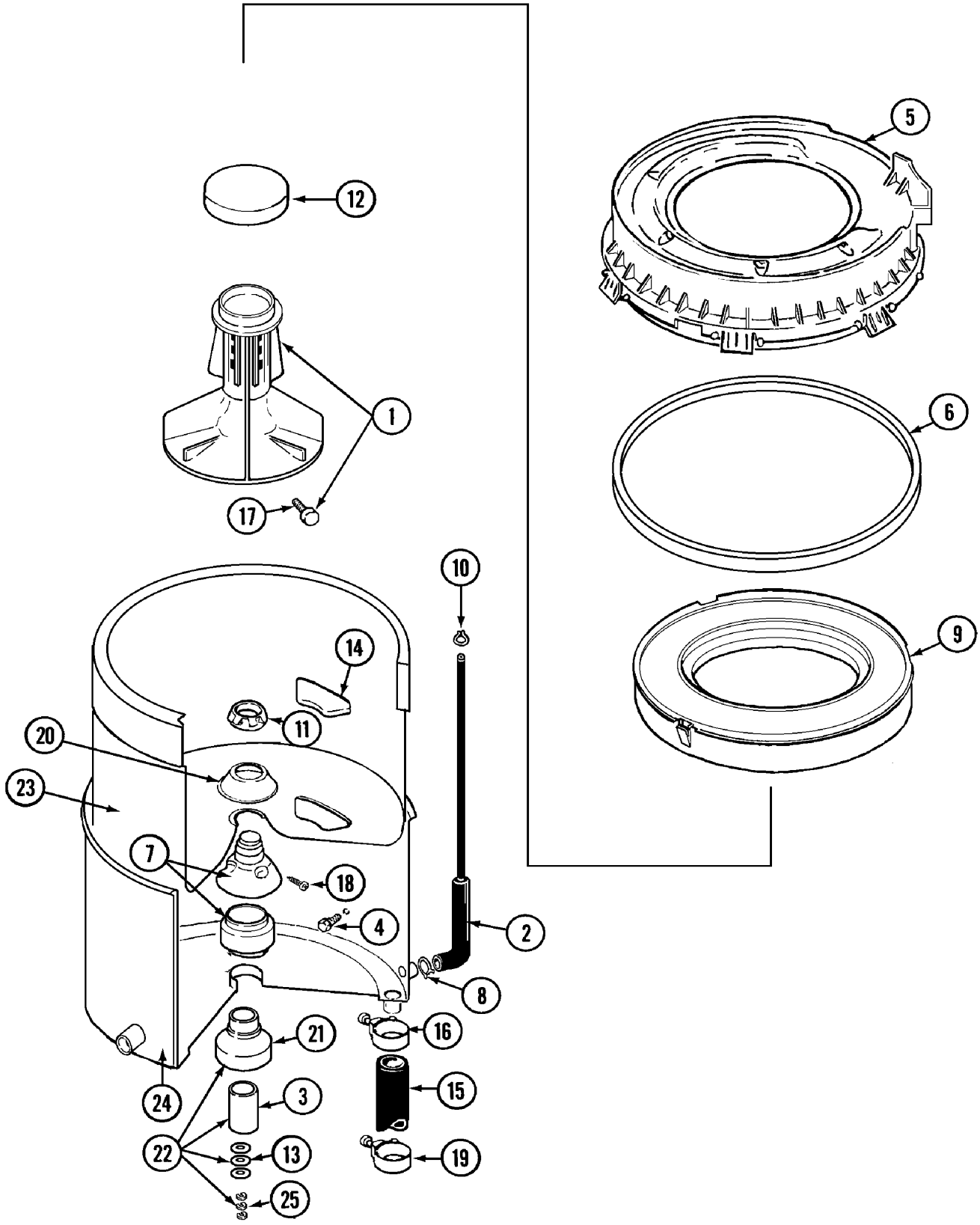
Section: CABINET

No.	Part No.	Description	Series	Qty
-	211294	SCREW Note: SCREW, PLATE	10	2
1	22002924	PLATE, COVER (W/HOLE)	10	1
2	213846	GUARD, BELT	10	1
-	22003217	SCREW, BRACKET TO CABINET	10	1
3	22002361	BRACKET, VALVE Note: BRACKET, WATER VALVE	10	1
4	22002379	CABINET (WHT)	10	1
4	22004425	CABINET WHT ASPACK	15	1
5	22001650	FASTENER, SPRING	10	2
6	Y013783	GASKET, INLET HOSE Note: WASHER, INLET HOSE	10	2
7	22004049	THERMISTOR WATER VALVE / COMM	10	1
-	205161	CLAMP - 15/16" Note: CLAMP, WATER VALVE	10	1
8	22002151	CLIP, HOSE	10	1
-	22003814	RETAINER, DRAIN HOSE	10	1
9	22002700	HOSE, DRAIN	10	1
10	22001803	PANEL, FRONT (WHT)	10	1
11	205161	CLAMP - 15/16" Note: CLAMP, HOSE	10	1
12	12001901	KIT-INLET HOSE ASY(COLD)	10	1
12	12001900	KIT-INLET HOSE ASY(HOT)	10	1
13	22002331	SPACER	10	2
14	22002960	STRAINER, WASHER INLET	10	2
15	22001496	SCREW, TORX Note: SCREW, FRONT PANEL	10	2
-	213325	CLIP, RETAINER	10	2
16	211294	SCREW Note: SCREW, BELT GUARD	10	3
17	212276	SCREW Note: SCREW, VALVE BRACKET	10	1
18	213007	SCREW, CABINET Note: SCREW, CABINET SIDES	10	6
19	213121	SCREW Note: SCREW, CABINET	10	3
20 N	313561	SCREW----NA Note: SCREW, WATER VALVE	10	2
21	22001608	INJECTOR HOSE & BACKFLOW ASSY.	10	1
22	22001900	PREVENTER, BACK FLOW	10	1
23	22001972	CLIP, CABINET	10	1

*Color Code (-)=Not Shown #=Series, Serial Prefix or Run No., N=Not Available

Section: TUB

Model: MAT12PDSAW



CW17-46

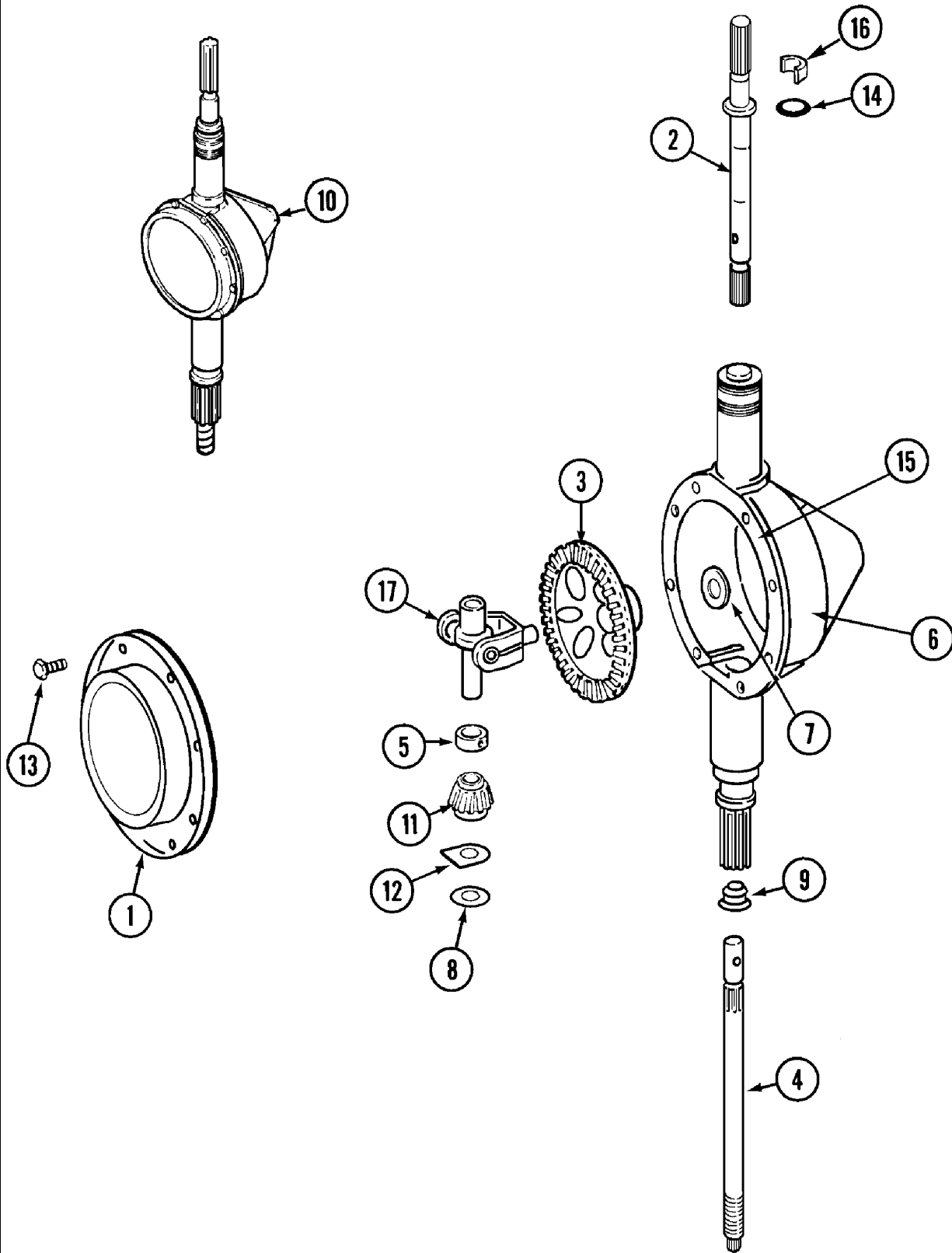
Section: TUB

No.	Part No.	Description	Series	Qty
1	208543	AGITATOR (W/LOCK SCREW)	10	1
2	212942	AIR DOME AND TUBE Note: TUBE, WATER LEVEL SWITCH	10	1
3	211130	LINER, TUB BEARING	10	1
4	205254	BOLT & GASKET ASSEMBLY (LONG)	10	2
4	200744	BOLT & GASKET ASSY.(SHORT)	10	1
5	22001970	COVER ASSY., TOP (WHT)	10	1
6	Y22001201	GASKET, TUB COVER Note: GASKET, TUB COVER	10	1
7	22204012	MOUNTING STEM REPAIR KIT	10	1
8	211641	CLAMP, 1-1/16" Note: CLAMP (1-1/16")	10	1
9	22001142	RING, BALANCE (W/CONCRETE)	10	1
10	22003295	CLAMP, HOSE DOUBLE WIRE	10	1
11	211047	NUT, CLAMPING (INNER TUB)	10	1
12	215532	AGITATOR CAP - BLACK Note: CAP, AGITATOR	10	1
13	211100	WASHER, CUSHION	10	3
14	215980	PLUG, FILTER HOLE Note: PLUG, TUB	10	2
15	Y212989	HOSE, OUTER TUB TO PUMP Note: HOSE, OUTER TUB	10	1
16	22001640	CLAMP, HOSE	10	1
17	206478	SCREW & WASHER FOR AGITATOR Note: SCREW & WASHER ASSEMBLY	10	1
18	22001423	SCREW, SET (TORX) Note: SET SCREW, MOUNTING STEM	10	1
19	22001640	CLAMP, HOSE Note: CLAMP, TUB HOSE	10	1
20	211210	WASHER,CLAMPING NUT(STAINLESS) Note: WASHER, CLAMPING NUT	10	1
21	200824	BEARING, TUB	10	1
22	204013	TUB BEARING REPAIR KIT	10	1
23	22001141	TUB, INNER (LARGE-GRY)	10	1
24	22001115	TUB, OUTER (LARGE)	10	1
25	Y054867	WASHER, LOCK	10	3

*Color Code (-)=Not Shown #=Series, Serial Prefix or Run No., N=Not Available

Section: TRANSMISSION

Model: MAT12PDSAW



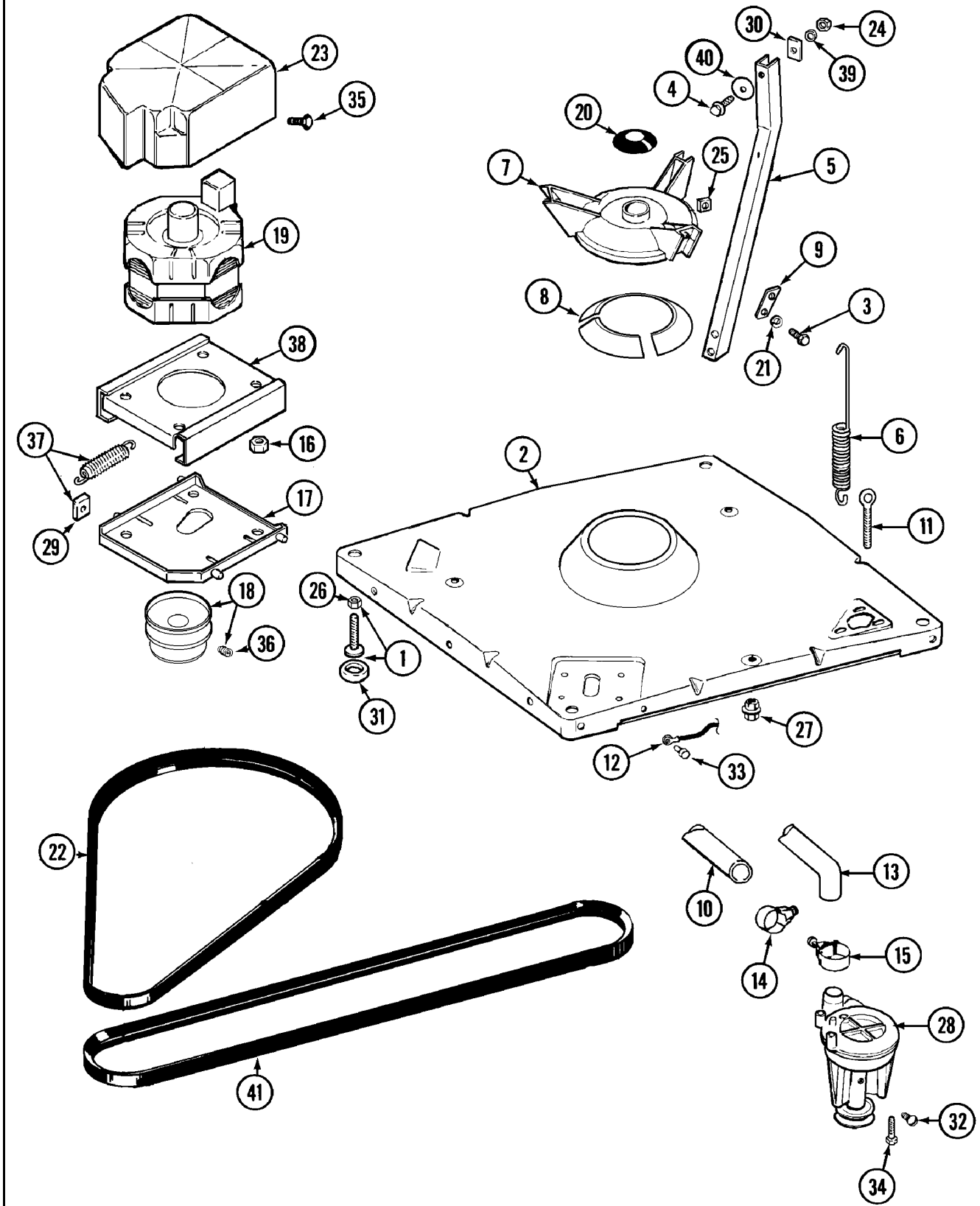
Section: TRANSMISSION

No.	Part No.	Description	Series	Qty
1	206628	COVER, TRANSMISSION	10	1
2	22002415	SHAFT, AGITATOR	10	1
3	206713	GEAR, BEVEL	10	1
4	22002343	SHAFT, CENTER (SHALLOW TUB)	10	1
5	22002353	COLLAR, CENTER SHAFT	10	1
6	22002537	HOUSING, TRANSMISSION (SHW)	10	1
-	056080	TRANS LUBE - AUTO, 34 OZ.	10	1
7	215394	WASHER, BEVEL GEAR	10	1
8	211483	WASHER, SPLINED	10	1
9	206602	SEAL, LIP (CENTER SHAFT)	10	1
10	22002375	TRANSMISSION, ORB(SHALLOW TUB)	10	1
11	215401	PINION	10	1
12	215395	PLATE, CLUTCH	10	1
13	215417	SCREW, TRANSMISSION COVER	10	4
14	22002417	O-RING AGITATOR SHAFT	10	1
15	Y058700	SILASTIC,ADH.SEALANT	10	1
16	22002340	COLLAR, AGITATOR SHAFT	10	1
17	206685	BLOCK, TORQUE AND YOKE ASSEMBL	10	1

*Color Code (-)=Not Shown #=Series, Serial Prefix or Run No., N=Not Available

Section: BASE

Model: MAT12PDSAW



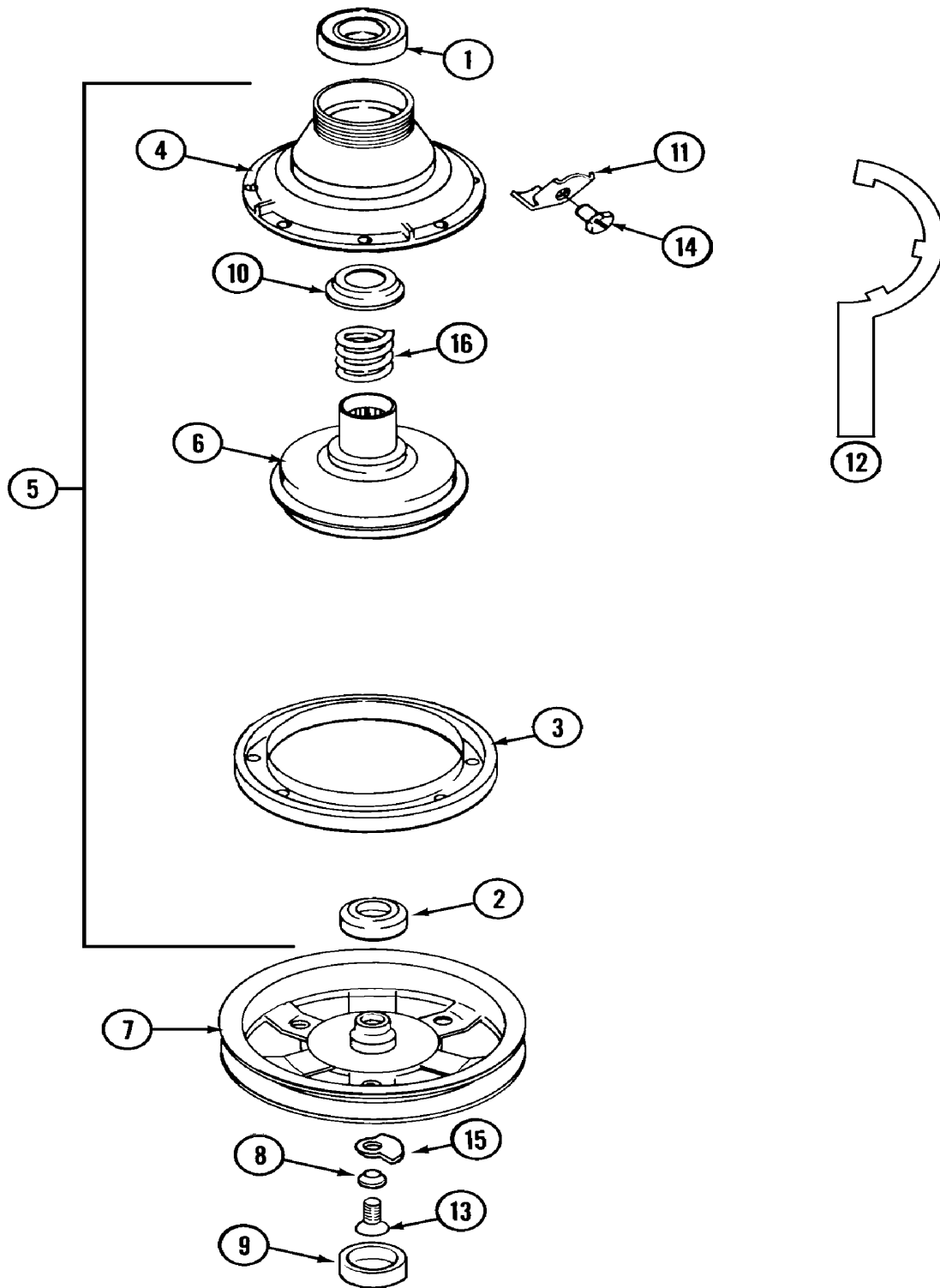
Section: BASE

No.	Part No.	Description	Series	Qty
1	22003428	LEG, ADJUSTABLE (W/NUT)	10	4
2	22002150	BASE (W/DAMPER PADS)	10	1
3	22004078	BOLT, 5/16	10	6
4	205254	BOLT & GASKET ASSEMBLY (LONG)	10	2
4	200744	BOLT & GASKET ASSY.(SHORT)	10	1
5	213100	BRACE, TUB	10	3
6	22001300	SPRING, CENTERING	10	3
7	203725	DAMPER W/BOLT & CLIP	10	1
8	203956	DAMPER PAD KIT (W/POLY LUBE)	10	1
9	213073	WASHER, DOUBLE	10	3
10	22002700	HOSE, DRAIN	10	1
11	216416	BOLT, EYE/CENTERING SPRING	10	3
12	901220	WIRE, GROUND	10	1
13	Y212989	HOSE, OUTER TUB TO PUMP	10	1
14	22001640	CLAMP, HOSE	10	1
15	22001640	CLAMP, HOSE	10	1
16	311426	NUT, WASHERED LOCK	10	3
17	22001301	MOUNT, MOTOR LOWER-ASSEMBLY	10	1
18	200816	PULLEY, MOTOR (W/SET SCREW)	10	1
19	22004301	MOTOR, 1 SPEED 120V 60HZ	14	1
19	201805	MOTOR (ONE SPEED)	10	1
20	22002954	DEFLECTOR, WATER (W/ADHESIVE)	10	2
21	911852	WASHER, LOCK (BRACE) Note: WASHER, LOCK (BRACE)	10	1
22	211125	V BELT,DRIVE PULLEY	10	1
23	215098	SHIELD, MOTOR	10	1
24	Y052734	NUT Note: NUT, BRACE (TUB)	10	3
25	Y052785	NUT,BRACE TO DAMPER Note: NUT, BRACE (DAMPER)	10	6
26	210385	NUT, LOCK	10	4
27	211949	NUT, EYEBOLT	10	3
28	202203	PUMP AS PAK	10	1
29	204998	GLIDE KIT (4 W/POLY LUBE)	10	1
30	212979	WASHER, TUB BRACE	10	3
31	210684	FOOT, RUBBER	10	4
32	22003235	SCREW, BEARING INSERT (HEX)	10	1
33	210186	SCREW, GROUND WIRE TO BASE--NA Note: SCREW, GROUND WIRE	10	1
34	211880	SCREW, HEX HD #10 X 1/2 INC Note: SCREW, PUMP	10	3
35	213121	SCREW Note: SCREW, MOTOR SHIELD	10	1
36	Y053241	SET SCREW, PULLEY Note: SET SCREW, MOTOR PULLEY	10	1
37	205000	GLIDE & SPRING KIT	10	1
38	214956	MOUNT, MOTOR/UPPER Note: PLATE, MOTOR MOUNT (UPR)	10	1
39	Y054867	WASHER, LOCK Note: WASHER, LOCK (BRACE)	10	3
40	211100	WASHER, CUSHION Note: WASHER, CUSHION (BRACE)	10	3
41	211124	V BELT, PUMP	10	1

*Color Code (-)=Not Shown #=Series, Serial Prefix or Run No., N=Not Available

Section: CLUTCH & BRAKE

Model: MAT12PDSAW



Section: CLUTCH & BRAKE

No.	Part No.	Description	Series	Qty
1	200720	BALL BEARING, RADIAL	10	1
2	200835	BEARING, BRAKE ROTOR	10	1
3	22003890	BRAKE STATOR (DRUM)	10	1
4	22003891	SUPPORT FOR BRAKE STATOR-DRUM	10	1
5	201190	BRAKE ASSEMBLY	10	1
6	201126	ROTOR, BRAKE (W/FACING)	10	1
7	22002429	PULLEY	10	1
8	211090	WASHER, LOCK Note: WASHER, LOCK (DRIVE LUG)	10	1
9	22002428	COVER, DUST (PLASTIC)	10	1
10	211039	RETAINER, BRAKE SPRING	10	1
11	213325	CLIP, RETAINER	10	1
12	Y038315	TOOL, BRAKE PKG ASSY	10	1
13	211375	SCREW, STOP LUG(CENTER SHAFT) Note: SCREW, DRIVE LUG	10	1
14	213326	SCREW, RETAINING CLIP Note: BOLT, RETAINING CLIP	10	1
15	211089	LUG, STOP	10	1
16	211041	SPRING, BRAKE	10	1

*Color Code (-)=Not Shown #=Series, Serial Prefix or Run No., N=Not Available

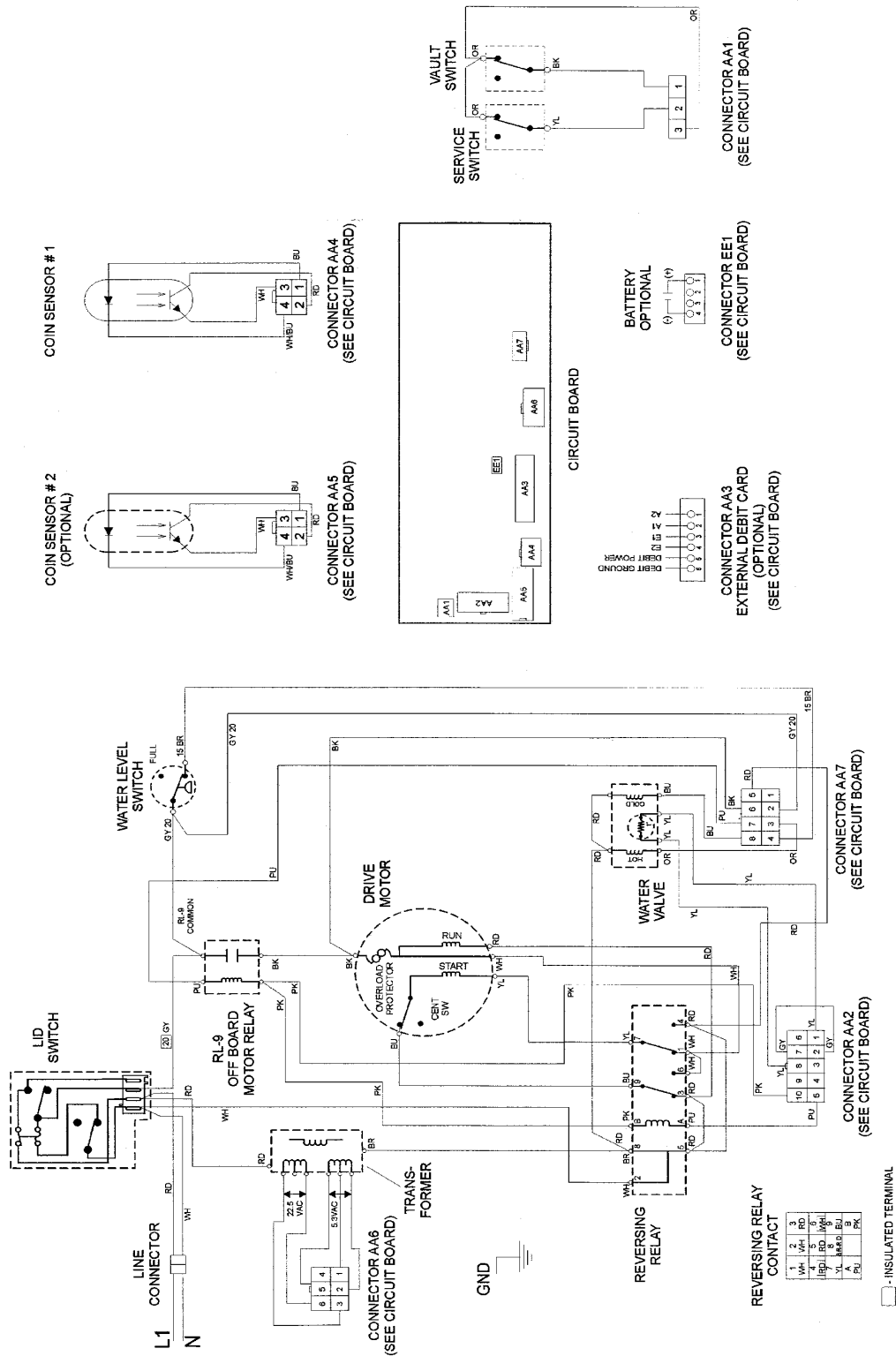
Section: SUPPLEMENTAL INFORMATION

No.	Part No.	Description	Series Qty	
1	22003677	LOCKING CAM	10	1
1	Y013783	GASKET, INLET HOSE	10	4
1	22004056	WIRE HARNESS	10	1
1	22002960	STRAINER, WASHER INLET	10	2
1	22001966	HARNESS, SENSOR SWITCH	10	1

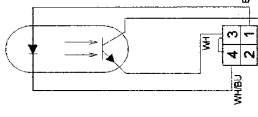
*Color Code (-)=Not Shown #=Series, Serial Prefix or Run No., N=Not Available

Section: WIRING INFORMATION

Model: MAT12PDSAW

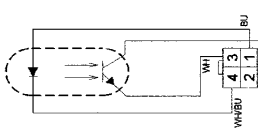


COIN SENSOR #1

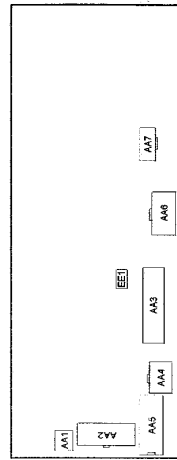


CONNECTOR AA4
(SEE CIRCUIT BOARD)

COIN SENSOR #2
(OPTIONAL)



CONNECTOR AA5
(SEE CIRCUIT BOARD)



BATTERY
OPTIONAL



CONNECTOR AA1
(SEE CIRCUIT BOARD)

CONNECTOR EE1
(SEE CIRCUIT BOARD)

CONNECTOR AA3
EXTERNAL DEBIT CARD
(OPTIONAL)
(SEE CIRCUIT BOARD)



REVERSING RELAY
CONTACT

1	2	3
WH	YL	RD
4	5	6
BU	RD	YL
7	8	9
10	11	12
PU	BK	RD
13	14	15
16	17	18
19	20	21
22	23	24
25	26	27
28	29	30
31	32	33
34	35	36
37	38	39
40	41	42
43	44	45
46	47	48
49	50	51
52	53	54
55	56	57
58	59	60
61	62	63
64	65	66
67	68	69
70	71	72
73	74	75
76	77	78
79	80	81
82	83	84
85	86	87
88	89	90
91	92	93
94	95	96
97	98	99
100	101	102

□ - INSULATED TERMINAL

