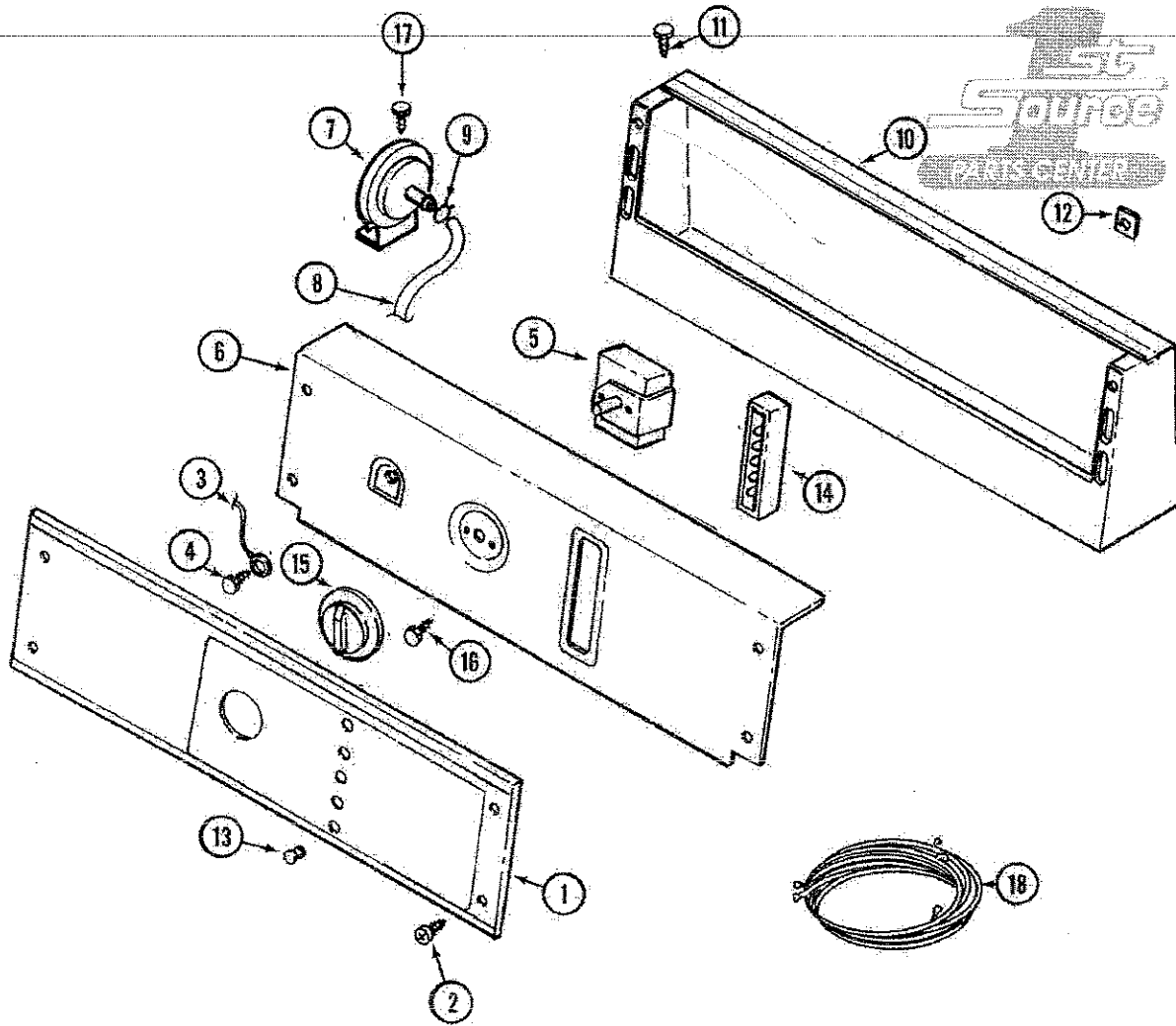


Model Number: MAT12CSAAW
Component Group: CONTROL PANEL

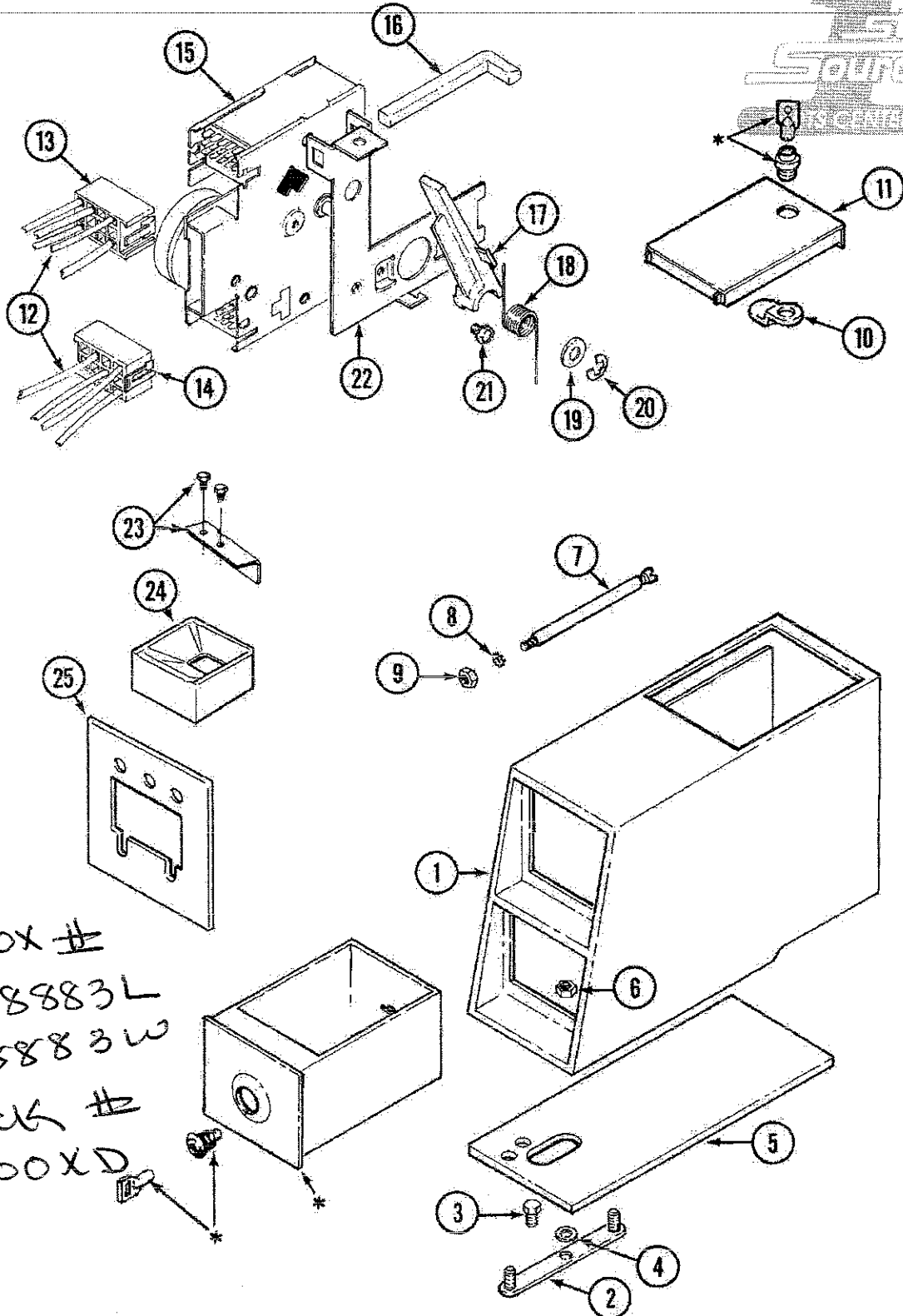
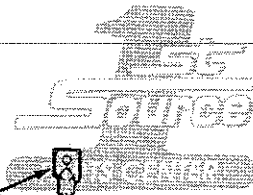


Part Listing

ID	Part #	Series	Description
1	22001884	10	PANEL, CONTROL (W/LENS)
2	215506	10	SCREW, TORX
3	204807	10	GRND. WIRE, SUPP. PLTE TO TOP CVR
4	210186	10	SCREW, GROUND WIRE TO BASE
5	205353	10	SWITCH, TEMP.
6	22001592	10	BRACKET, BACK/CONTROL PANEL
7	22001308	10	SWITCH, WATER LEVEL
8	212942 22001617	10	AIR DOME AND TUBE
9	410296	10	CLAMP, WATER LEVEL SWTCH TUBE
10	211149	16	CLIP, CAPACITOR
10	206780	10	CONTROL COVER ASSY
10	200832	16	CAPACITOR
10	211294	16	SCREW
11	212276	10	SCREW
12	215003	10	FASTENER
13	215564	10	LENS, INDICATOR (AMBER)

14	206881	10	INDICATOR, 5 LIGHT 115V
15	206894	10	KNOB
15	215561	10	LID BUMPER
16	313588	10	SCREW
17	211294	10	SCREW
18	22002324	37	WIRE HARNESS
18	22001088	10	WIRE HARNESS (CS)
18	12001438	16	WIRE HARNESS KIT
18	312953	10	RECEPTACLE
18	22002222	15	HARNESS, WIRE
18	314531	10	EDGEBOARD CONNECTOR

Model Number: MAT12CSAAW
Component Group: CONTROL CENTER



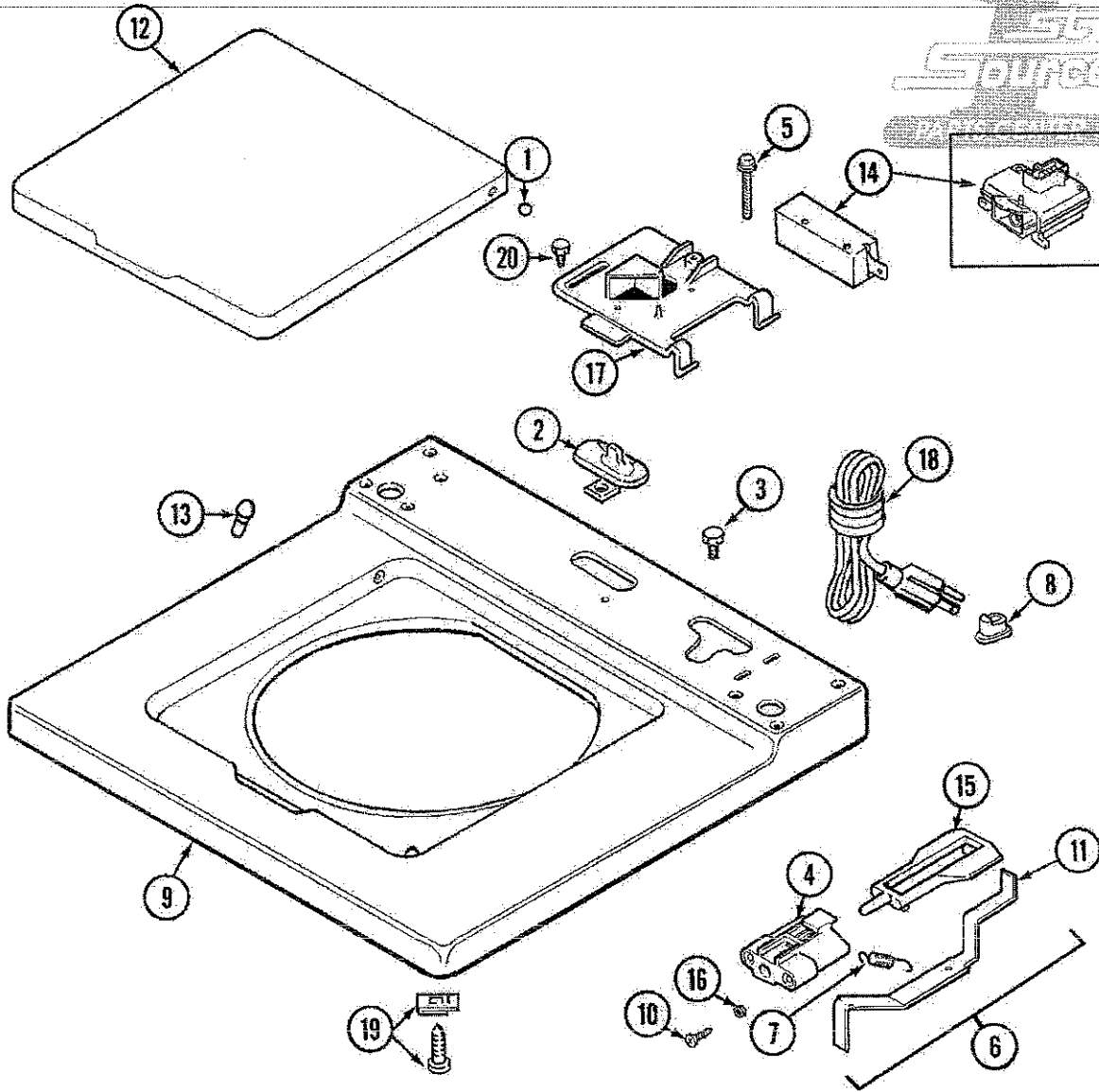
Box #
208883L
208883W
Lock #
0500XD

* CONTACT YOUR COMMERCIAL LAUNDRY DISTRIBUTOR

Part Listing

ID	Part #	Series	Description
1	22002478	24	VAULT, COIN (WHT)CS
2	22001810	10	STRAP, MOUNTING
3	211294	10	SCREW
4	910309	10	WASHER
5	22001870	10	GASKET, COIN VAULT (WHT)
6	052740	10	NUT
7	22001903	10	LOCKING BOLT, COIN SLIDE
8	910387	10	LOCK WASHER
8	910387	24	LOCK WASHER
9	052721	10	NUT
10	22001905	10	CAM, LOCKING
11	22001910	10	DOOR, ACCESS (WHT)
11	22001881	10	GROMMET, DOUBLE
11	22001882	10	LATCH, ACCESS DOOR
11	22001883	10	SCREW
12	22002222	15	HARNESS, WIRE
12	22002223	15	HARNESS, WIRE
12	22001088	10	WIRE HARNESS (CS)
13	22001885	10	HOUSING, CONNECTOR (RT)
14	22001886	10	HOUSING, CONNECTOR (LT)
15	22001083	10	TIMER
16	216442	10	ROD, ACTUATOR
17	22001042	10	PIVOT ARM, TIMER
18	214663	10	SPRING FOR TIMER LEVER
19	22001398	10	RETAINER, SPRING
20	312270	10	E CLIP
21	216412	10	SCREW
22	212276	10	SCREW
22	22001043	10	BRACKET, TIMER
23	22001811	10	ACTUATOR KIT, WASHER
24	22002534	24	BOLT, CARRIAGE
24	22001878	10	CHUTE, COIN
24	22002533	24	WELD ASSY., FUNNEL
25	22001879	10	PLATE, ADAPTER (WHT)
26	22001904	10	BRACE, COIN SLIDE
27	22001913	10	ACTION DOOR KIT (WHT)

Model Number: MAT12CSAAW
Component Group: TOP

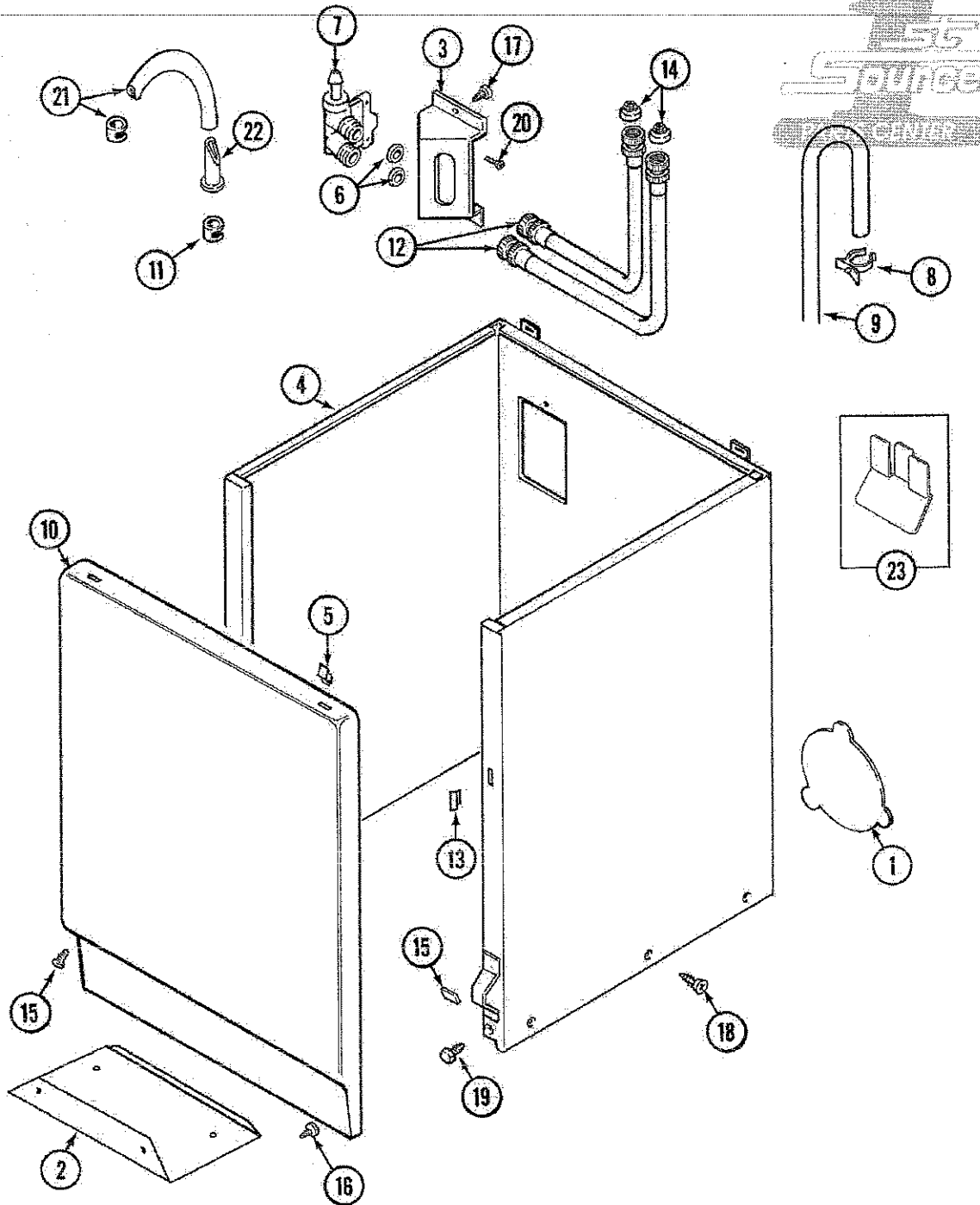


Part Listing

ID	Part #	Series	Description
1	211726	10	HINGE, BALL
2	207159	10	SCREW
2	22001298	10	CAP, TOP COVER
3	210186	10	SCREW, GROUND WIRE TO BASE
4	22001645	10	BRACKET, UNBALANCE
4	22002135	15	BRACKET, UNBALANCE
5	213501	10	SCREW, #6-20 X 1-1/8 INCH
6	22001969	15	UNBALANCE LEVER ASSEMBLY
6	22001681	10	LEVER ASSY. (UNBALANCE)
7	213720	10	SPRING
8	211881	10	GROMMET, CORD
9	22001970	15	COVER ASSY., TOP (WHT)
9	22001867	10	COVER, TOP (WHT)
10	910182	10	SCREW

11	22001672	10	LEVER, UNBALANCE
11	22001968	15	LEVER, UNBALANCE
12	22001341	10	LID W/LEGEND (WHT-MAT25)
13	212716	10	BUMPER, LID
14	22001682	10	SWITCH ASSY., LID W/4AMP FUSE
14	22001967	15	SWITCH, LID
15	216255	10	PLUNGER, UNBALANCE
16	211500	10	WASHER, BRACKET TO TOP COVER
17	22001678	10	BRACKET, SWITCH & FUSE
18	205056	10	CORD, POWER
18	22001549	15	CORD, POWER
19	204445	10	SCREW & FASTENER ASSY.
20	207159	10	SCREW

Model Number: MAT12CSAAW
Component Group: CABINET



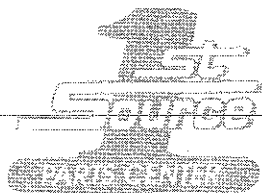
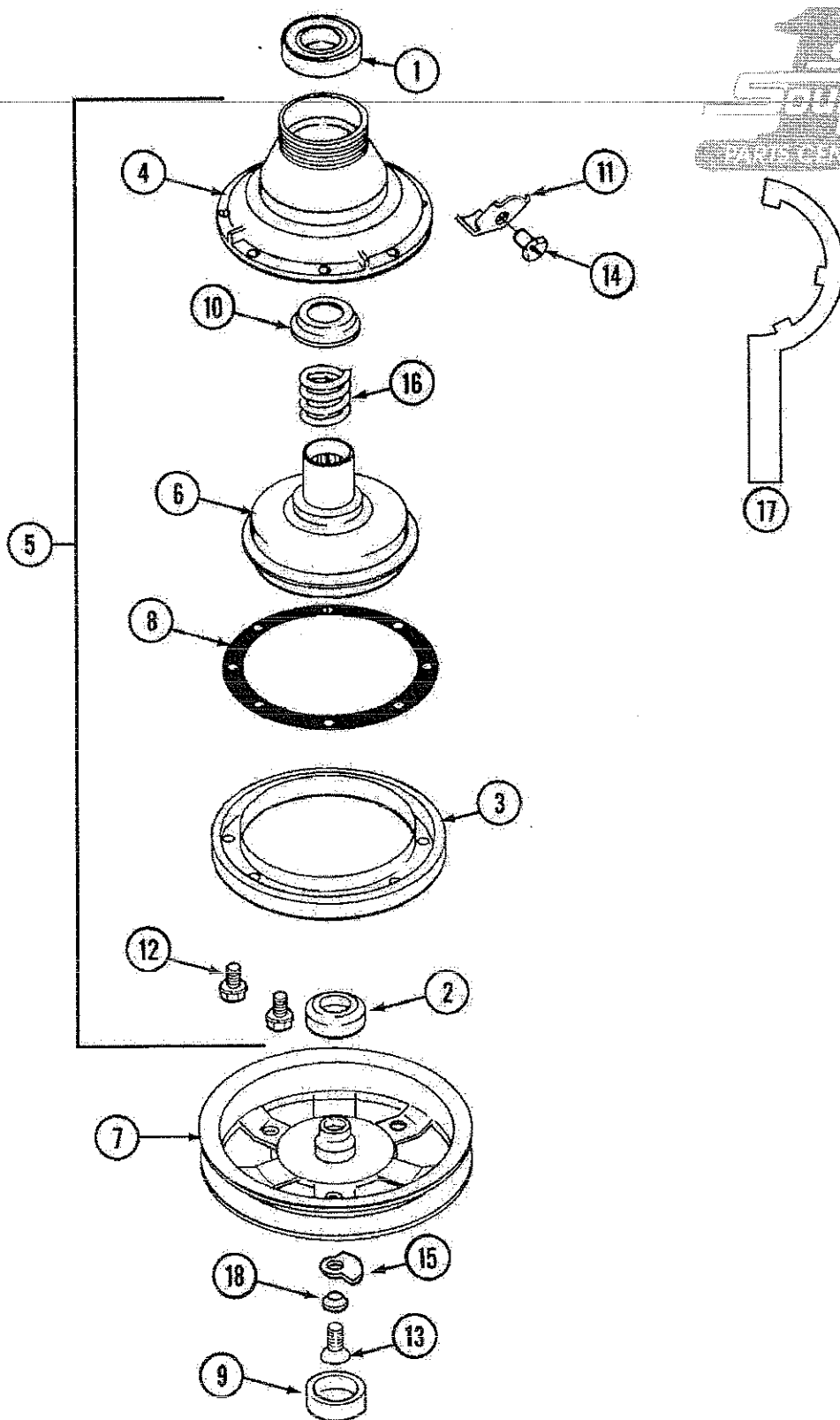
Part Listing

ID	Part #	Series	Description
1	211878	10	PLATE, ACCESS
1	212985	10	PLATE, ACCESS (W/HOLE)
1	211294	10	SCREW
2	213846	10	GUARD, BELT
3	214812	10	BRACKET, WATER VALVE
3	22003217	10	SCREW, BRACKET TO CABINET

4	22002381	18	V-BRACKET
4	22001995	18	SCREW
4	22001302	10	CABINET (WHT)
4	22002379	18	CABINET (WHT)
4	22002382	18	FASTENER, V-BRACKET
5	22001650	10	FASTENER, SPRING
6	013783	10	GASKET, INLET HOSE
7	205161	10	CLAMP - 15/16"
7	22001604	10	VALVE, WATER
7	214337	10	SCREEN, VALVE
8	22001815	10	CLIP, HOSE
9	22001816	10	HOSE, DRAIN
9	22002700	16	HOSE, DRAIN
9	22002701	16	RETAINER, DRAIN HOSE
10	22001803	10	PANEL, FRONT (WHT)
11	205161	10	CLAMP - 15/16"
12	205828	10	HOSE, INLET ASSY.
13	214376	10	SPACER, FRONT PANEL
14	200961	10	SCREEN WASHER, INLET HOSE
15	22001496	10	SCREW, TORX
15	213280	10	FRONT PANEL BRACKET/FASTENER
16	211294	10	SCREW
17	212276	10	SCREW
18	213007	10	SCREW, CABINET
19	213122	10	SCREW,CBNT.TO FRNT OF BASE
19	213121	10	SCREW
20	313561	10	SCREW
21	22001608	10	INJECTOR HOSE & BACKFLOW ASSY. 22001954
22	22001900	10	PREVENTER, BACK FLOW
23	22001972	15	CLIP, CABINET

#22 Kit 12001677

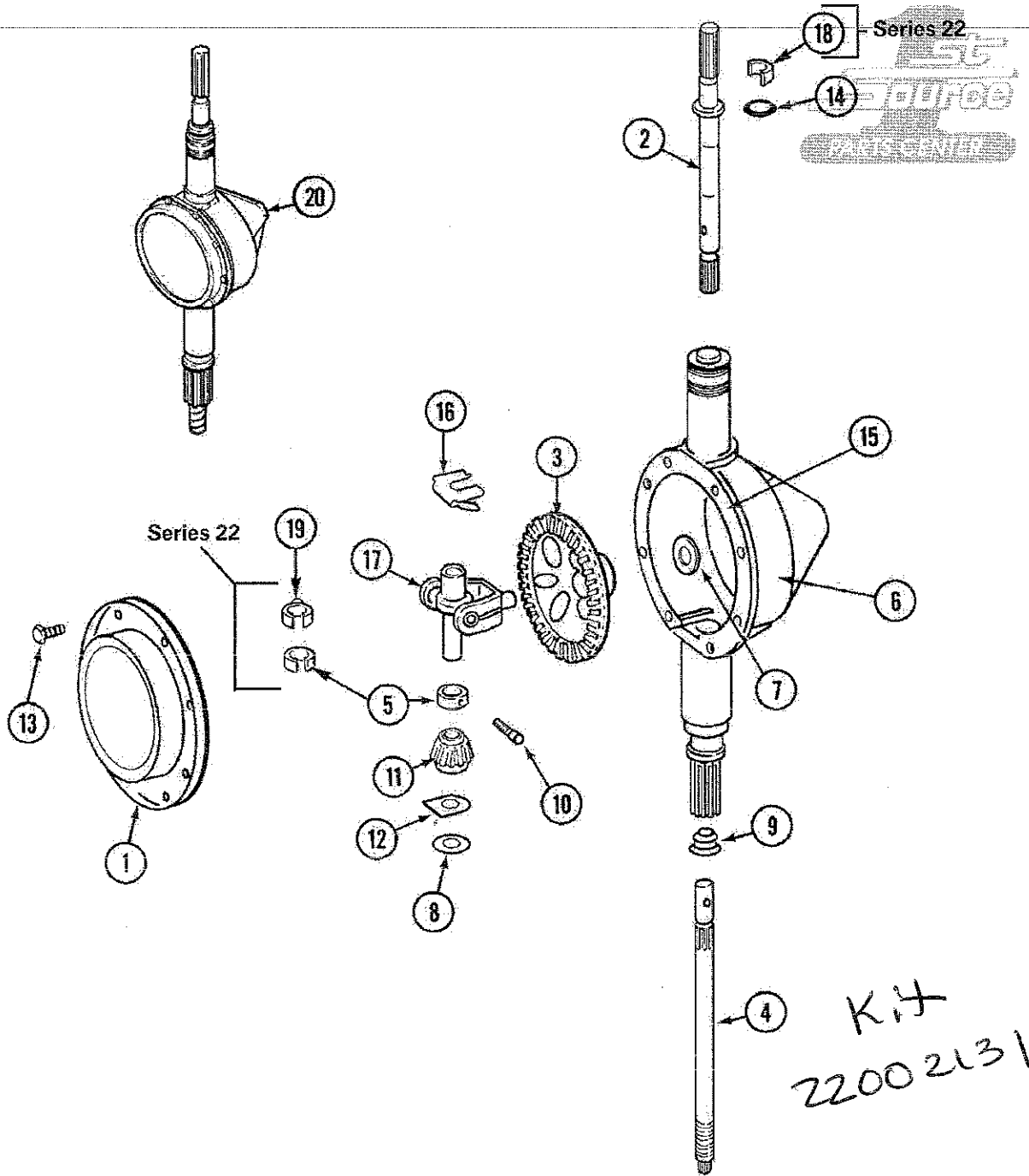
Model Number: MAT12CSAAW
Component Group: CLUTCH & BRAKE



Part Listing

ID	Part #	Series	Description
1	200720	10	BALL BEARING, RADIAL
2	200835	10	BEARING, BRAKE ROTOR
3	211043	10	DRUM, BRAKE
4	211045	10	HOUSING, BRAKE
5	201190	10	BRAKE ASSEMBLY
6	201126	10	ROTOR, BRAKE (W/FACING)
7	22002431	23	PULLEY ASSEMBLY
7	211059	10	PULLEY, DRIVE
8	211042	10	GASKET, BRAKE DRUM
9	211038	10	CAP, OIL RETAINER
9	22002428	23	COVER, DUST (PLASTIC)
10	211039	10	RETAINER, BRAKE SPRING
11	213325	10	CLIP, RETAINER
12	211000	10	SCREW, HEX HEAD (BRAKE DRUM)
13	211375	10	SCREW, STOP LUG (CENTER SHAFT)
14	213326	10	SCREW, RETAINING CLIP
15	211089	10	LUG, STOP
16	211041	10	SPRING, BRAKE
17	038315	10	TOOL, BRAKE PKG. ASSY.
18	211090	10	WASHER, LOCK

Model Number: MAT12CSAAW
Component Group: TRANSMISSION



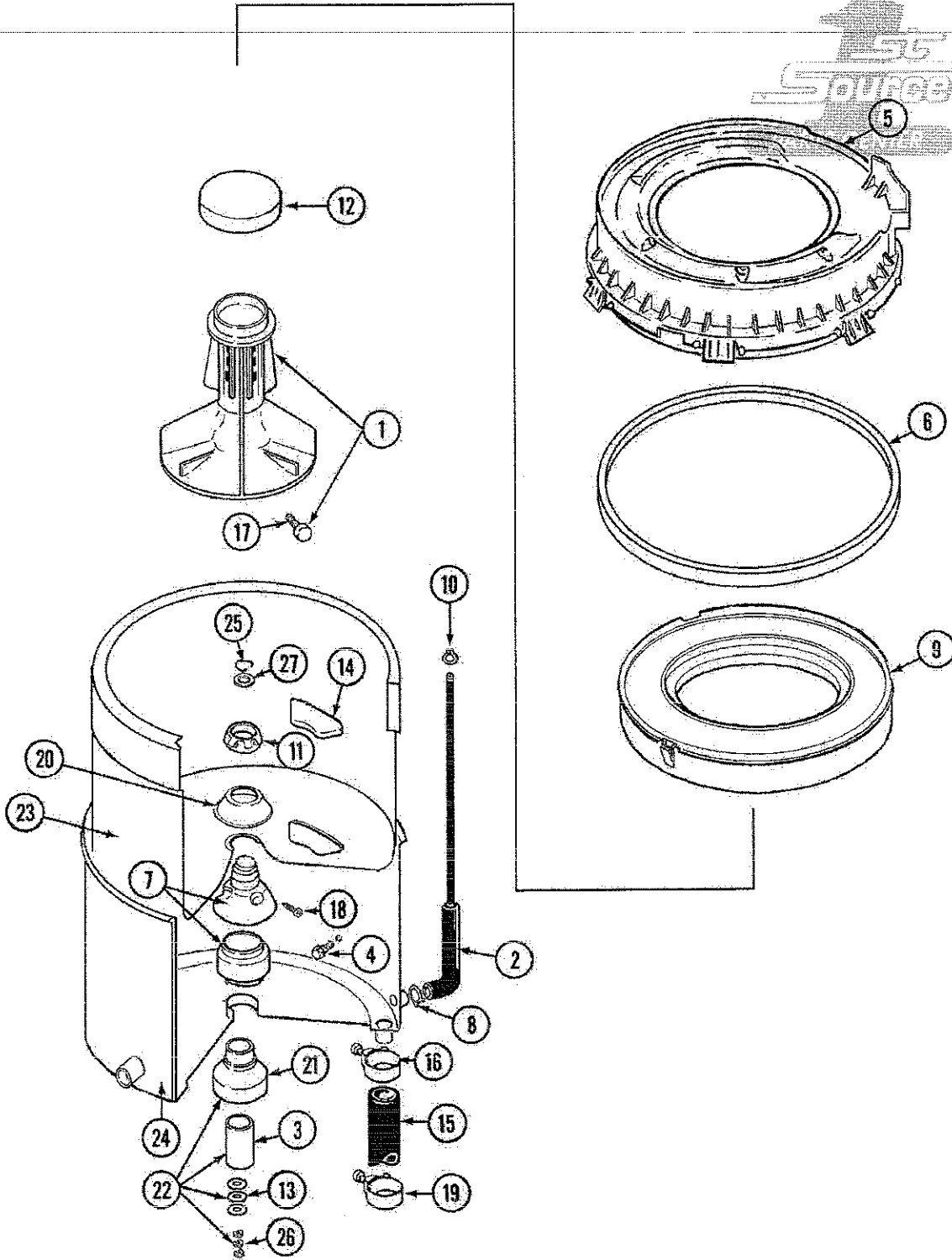
Part Listing

ID	Part #	Series	Description
1	206628	10	COVER, TRANSMISSION
2	22002415	22	SHAFT, AGITATOR
2	207153	10	SHAFT, AGITATOR (W/SPRING)
3	206713	10	GEAR, BEVEL
4	215411	10	SHAFT, CENTER
4	22002343	22	SHAFT, CENTER (SHALLOW TUB)
5	22002353	22	COLLAR, CENTER SHAFT

5	215415	10	COLLAR, LOWER
6	206625	10	HOUSING, TRANSMISSION
6	22002537	22	HOUSING, TRANSMISSION (SHW)
6	056080	10	TRANS-LUBE-- AUTO, 34 OZ.
7	215394	10	WASHER, BEVEL GEAR
8	211483	10	WASHER, SPLINED
9	206602	10	SEAL, LIP (CENTER SHAFT)
10	206629	10	PIN, COLLAR
10	-----	22	NOT REQUIRED PART OR SEE NOTE
11	215401	10	PINION
12	215395	10	PLATE, CLUTCH
13	215417	10	SCREW, TRANSMISSION COVER
13	215417	22	SCREW, TRANSMISSION COVER
14	210690	10	SEAL, RUBBER
14	22002417	22	O-RING AGITATOR SHAFT
15	058700	10	SILASTIC,ADH.SEALANT
16	215581	10	SPRING, AGITATOR SHAFT
16	-----	22	NOT REQUIRED PART OR SEE NOTE
17	206685	10	BLOCK, TORQUE AND YOKE ASSEMBL
18	22002340	22	COLLAR, AGITATOR SHAFT
19	22002341	22	COLLAR, LOWER PLASTIC KEEPER
20	22002127	22	TRANS (SHALLOW TUB, COMPLETE)
20	206708	10	TRANSMISSION

22002131

Model Number: MAT12CSAAW
 Component Group: TUB

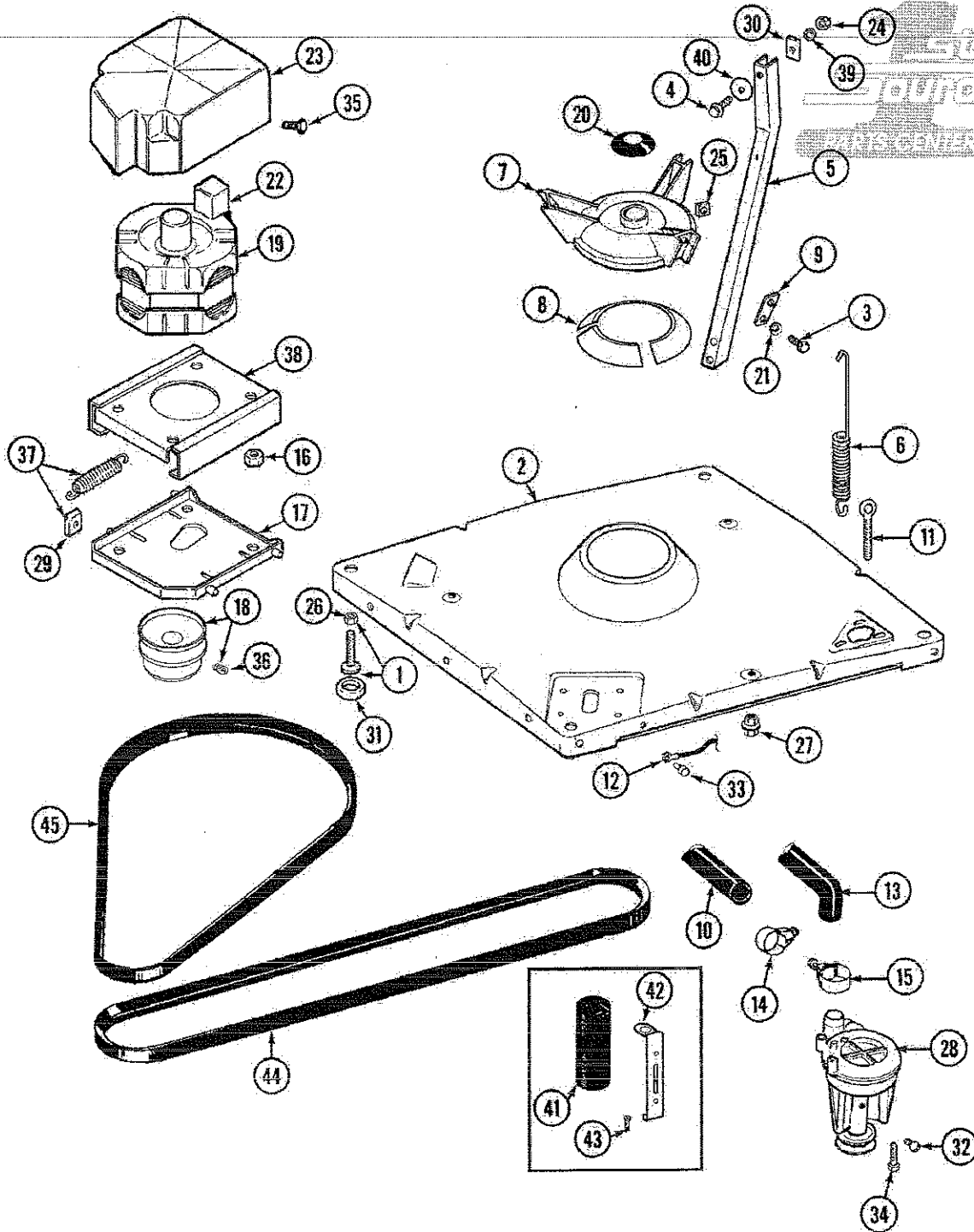


Part Listing

ID	Part #	Series	Description
1	208543	10	AGITATOR (W/LOCK SCREW)
2	212942	10	AIR DOME AND TUBE <i>22001619</i>
3	211130	10	LINER, TUB BEARING
4	205254	10	BOLT & GASKET ASSEMBLY (LONG)

4	200744	10	BOLT & GASKET ASSY.(SHORT)
5	22001606	10	COVER ASSY., TUB
6	22001201	10	GASKET, TUB COVER
7	22001648	10	MOUNTING STEM AND SEAL KIT
8	211641	10	CLAMP, 1-1/16"
9	22001142	10	RING, BALANCE (W/CONCRETE)
10	410296	10	CLAMP,WATER LEVEL SWTCH TUBE
11	211047	10	NUT, CLAMPING (INNER TUB)
12	215532	10	AGITATOR CAP - BLACK
13	211100	10	WASHER, CUSHION
14	215980	10	PLUG, FILTER HOLE
15	212989	10	HOSE, OUTER TUB TO PUMP
16	22001640	10	CLAMP, HOSE
17	206478	10	SCREW & WASHER FOR AGITATOR
18	22001423	10	SCREW, SET (TORX)
19	22001640	10	CLAMP, HOSE
20	211210	10	WASHER,CLAMPING NUT(STAINLESS)
21	200824	10	BEARING, TUB
22	204013	10	TUB BEARING REPAIR KIT
23	22001141	10	TUB, INNER (LARGE-GRY)
24	22001115	10	TUB, OUTER (LARGE) 2200 3312
25	015667	10	RETAINING RING
26	054867	10	WASHER, LOCK
27	015666	10	WASHER,RETAINING(CENTER SEAL)

Model Number: MAT12CSAAW
Component Group: BASE

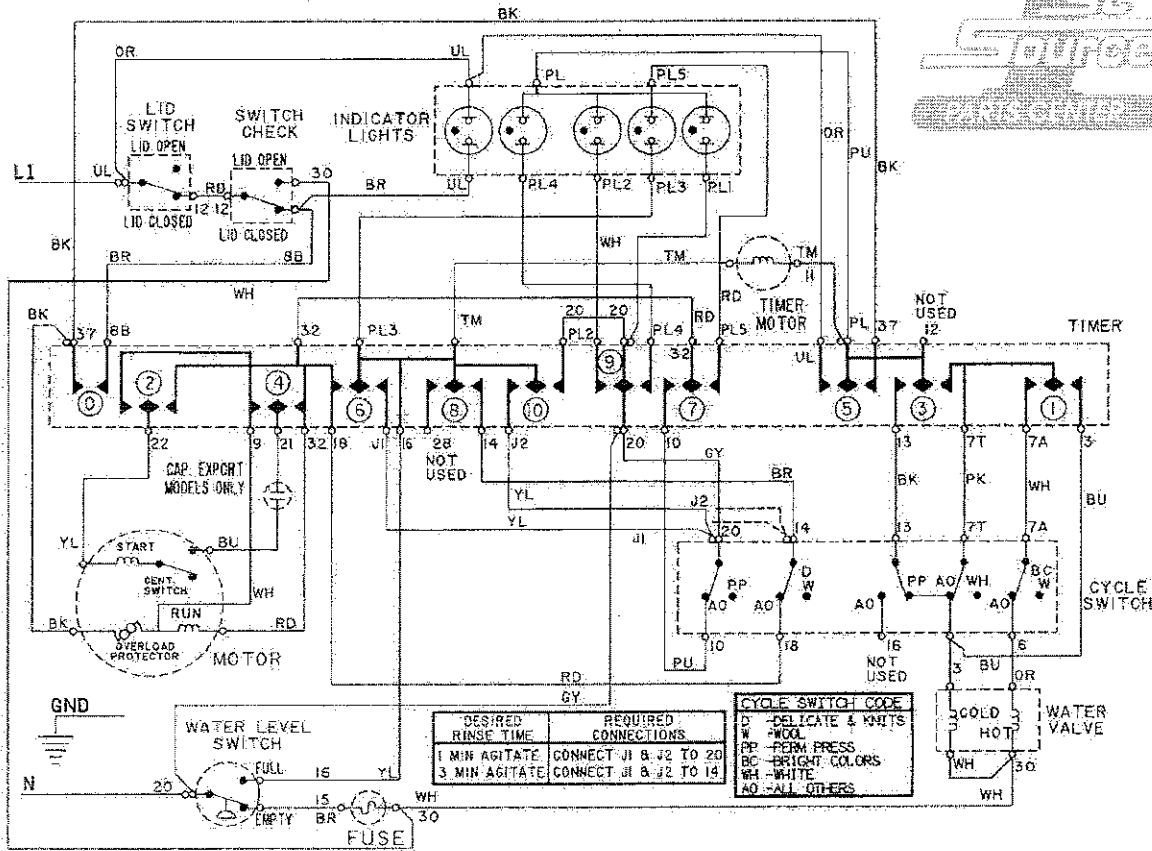
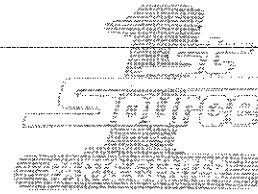


Part Listing

ID	Part #	Series	Description
1	302699	10	LEG, ADJUSTABLE (W/NUT)
2	22001172	10	BASE (W/DAMPER PADS)
3	015627	10	SCREW, HEX HD CAP 5/16 X 5/8
4	205254	10	BOLT & GASKET ASSEMBLY (LONG)
4	200744	10	BOLT & GASKET ASSY.(SHORT)

5	213100	10	BRACE, TUB
6	22001300	10	SPRING, CENTERING
7	203725	10	DAMPER W/BOLT & CLIP
8	203956	10	DAMPER PAD KIT (W/POLY LUBE)
9	213073	10	WASHER, DOUBLE
10	22001816	10	HOSE, DRAIN
11	216416	10	BOLT, EYE/CENTERING SPRING
12	901220	10	WIRE, GROUND
13	212989	10	HOSE, OUTER TUB TO PUMP
14	22001820	10	CLAMP, HOSE
15	22001640	10	CLAMP, HOSE
16	311426	10	KEPS NUT, MTR. BASE TO BASE FRM.
17	22001301	10	MOTOR MOUNT (LOWER ASSY) PLATE
18	200816	10	PULLEY, MOTOR (W/SET SCREW)
19	201805	10	MOTOR (ONE SPEED) <i>12002351</i>
20	22001511	10	DEFLECTOR, WATER (W/ADHESIVE)
21	911852	10	WASHER, LOCK (BRACE)
22	205131	10	SWITCH, MOTOR START <i>Motor 12002351</i>
22	205132	10	SWITCH, MOTOR START
22	206505	10	SWITCH, MOTOR START
23	215098	10	SHIELD, MOTOR
24	052734	10	NUT, BRACE TO TUB
25	052785	10	NUT, BRACE TO DAMPER
26	210385	10	NUT, LOCK
27	211949	10	NUT, EYEBOLT
28	202203	10	PUMP
29	204998	10	GLIDE KIT (4 W/POLY LUBE)
30	212979	10	WASHER, TUB BRACE
31	210684	10	FOOT, RUBBER
32	015408	10	SCREW, BEARING INSERT
33	210186	10	SCREW, GROUND WIRE TO BASE
34	211880	10	SCREW, HEX HD #10 X 1/2 INC
35	213121	10	SCREW
36	053241	10	SET SCREW, PULLEY
37	205000	10	GLIDE & SPRING KIT
38	214956	10	MOUNT, MOTOR/UPPER
39	054867	10	WASHER, LOCK
40	211100	10	WASHER, CUSHION
44	211124	10	V BELT, PUMP
45	211125	10	V BELT, DRIVE PULLEY

Model Number: MAT12CSAAW
Component Group: WIRING INFORMATION



Part Listing

ID	Part #	Series	Description
1	15001170	10	WIRING INFORMATION
1	15002075	12	WIRING INFORMATION
1	15002111	15	WIRING INFORMATION
1	15002218	37	WIRING INFORMATION
1	15002871	35	WIRING INFORMATION