

WASHER

Repair Parts List

MODEL NUMBER

MAH5500BWW

When requesting service or ordering parts, always provide the following information:

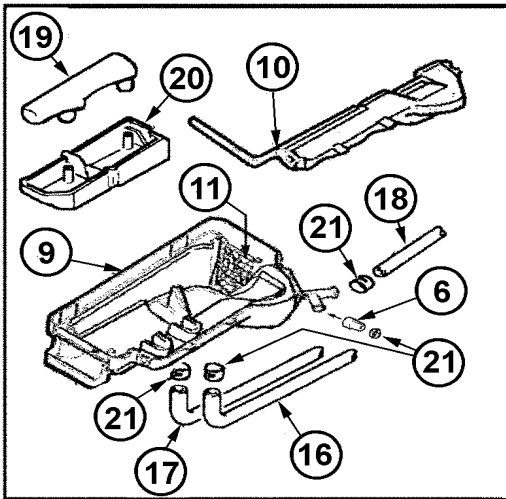
- Product Type
- Part Number
- Model Number
- Part Description

MAYTAG®

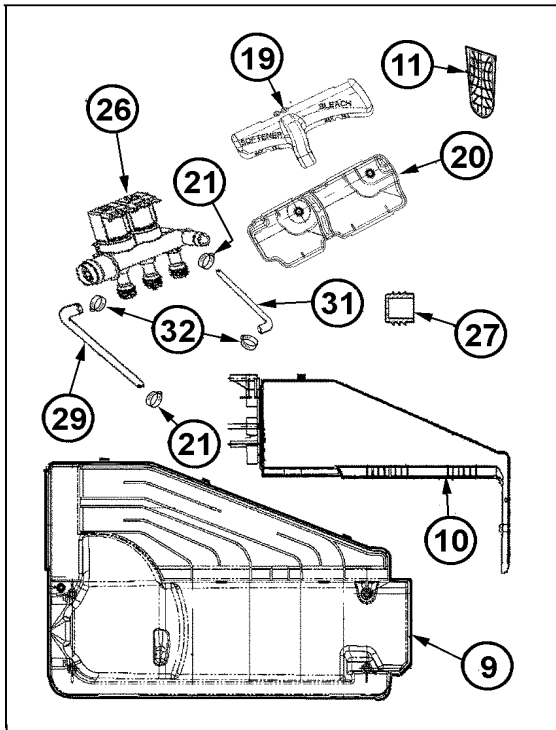
©2005 Maytag Services

Section: CONTROL PANEL & TOP

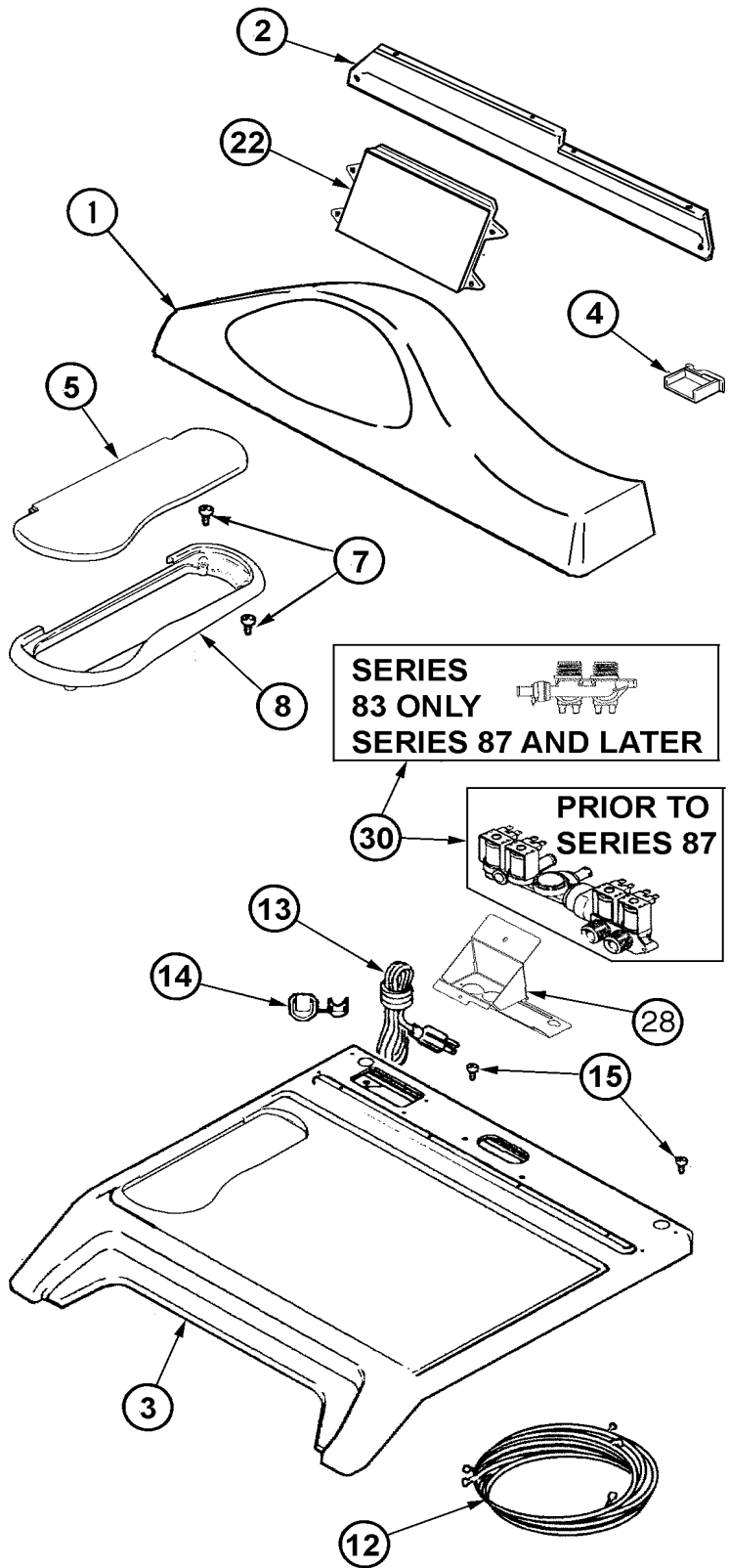
Model: MAH5500BWW



PRIOR TO SERIES 87



SERIES 83 ONLY
SERIES 87 AND LATER



SERIES 83 ONLY
SERIES 87 AND LATER

PRIOR TO
SERIES 87

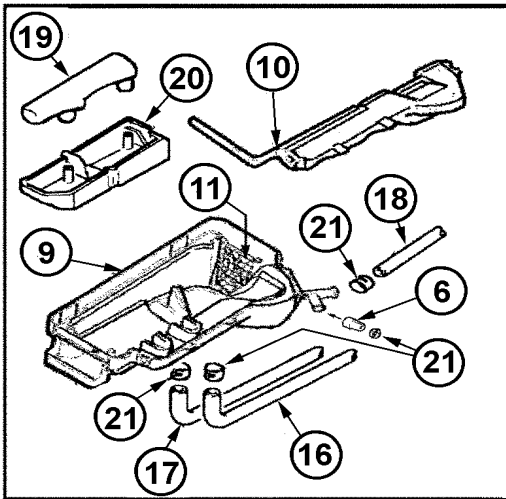
Section: CONTROL PANEL & TOP

No.	Part No.	Description	Series	Qty
1	22003238	CONSOLE, LED W/MEMBRANE (WHT)	10	1
1	22003806	MEDALLION, CONSOLE (WHT)	10	1
1	22003807	MEDALLION, CONSOLE (BSQ)	10	1
1	22004436	LED CONSOLE ASSY-WHT - AS PACK	B4	1
2	Y22002339	SCREW	10	4
2	22003581	BACK, CONSOLE PANEL	67	1
2	22003255	PANEL, BACK	10	1
2	22002061	SCREW Note: SCREW, CONTROL BOARD	71	4
3	22002116	COVER, TOP (WHT)	10	1
3	22003584	COVER, TOP (WHT-AS PK)	67	1
4	22003276	COVER, CONSOLE PLUG (WHT)	10	1
5	22003274	LID, DISPENSER (WHT)	10	1
6	22003260	EXTENSION, NOZZLE	10	1
7	22003681	SCREW, DISPENSER LID Note: SCREW, DISPENSER BEZEL	10	4
8	22003273	BEZEL, DISPENSER (WHT)	10	1
9	22003320	BOTTOM, DISPENSER ASSY. Note: SERIES 83 SEE ITEMS 26 & 27	10	1
9	22003844	DISPENSER BOTTOM	87	1
9	202515	HOSE CLAMP - 1-1/16 INCH	10	2
10	22003322	TOP, DISPENSER (FLUME)	10	1
10	22003845	DISPENSER COVER (FLUME)	87	1
11	22003321	GRID, DISPENSER	10	1
12	22003799	WIRE HARNESS	74	1
12	2205140	HARNESS, WIRE	C1	1
12	22003818	WIRE HARNESS	88	1
12	22003817	SCREW, SERRATED WASHER HEAD HX Note: FILTER TO TOP COVER	88	1
12	22003272	HARNESS, WIRE Note: HARNESS, WIRE (MAIN)	10	1
12	22002782	PAD, FOAM (SOUND DAMPENER)	88	1
12	22004499	HARNESS, WIRE	C5	1
12	22003852	WIRE HARNESS	88	1
12	22004432	HARNESS, UPPER SUB	B4	1
12	22003856	MOTOR, VARIABLE SPEED	88	1
12	22003858	EMI SUPPRESSION FILTER, 16A	88	1
12	22004047	HARNESS, MOTOR/MOTOR CONTROL	91	1
12	22003271	HARNESS, UNBALANCE SWITCH	10	1
12	22004052	HARNESS UPPER SUB ASSY	92	1
12	22004313	WIRE HARNESS	A7	1
12	22004431	HARNESS, MAIN LED	B4	1
12	22003851	CONTROL ASSY., MOTOR	88	1
12	22003855	HARNESS, MOTOR/MOTOR CONTROL	88	1
13	22003853	POWER CORD AS WRAPPED	88	1
13	22003062	CORD, POWER (AS WRAPPED)	10	1
14	211881	GROMMET, CORD	10	1
15	912365	SCREW Note: SCREW	10	1
16	22002551	HOSE, BLEACH	10	1
17	N 22002552	HOSE, FABRIC SOFTENER----NA	10	1
18	22004082	SEAL INSERTION TOOL	10	1
18	22003457	HOSE, DETERGENT	10	1
19	22002266	CAP, SIPHON	10	1
19	22003849	SIPHON CAP	87	1
20	22002265	CUP, SIPHON	10	1
20	22003848	SIPHON CUP	87	1
21	205161	CLAMP - 15/16"	87	2
21	22001984	CLAMP, DRAIN HOSE	10	1
21	205161	CLAMP - 15/16"	10	3
21	205161	CLAMP - 15/16" Note: PILOT FOR THIS SERIES ONLY	83	2
22	22004488	CONTROL BOARD	C4	1

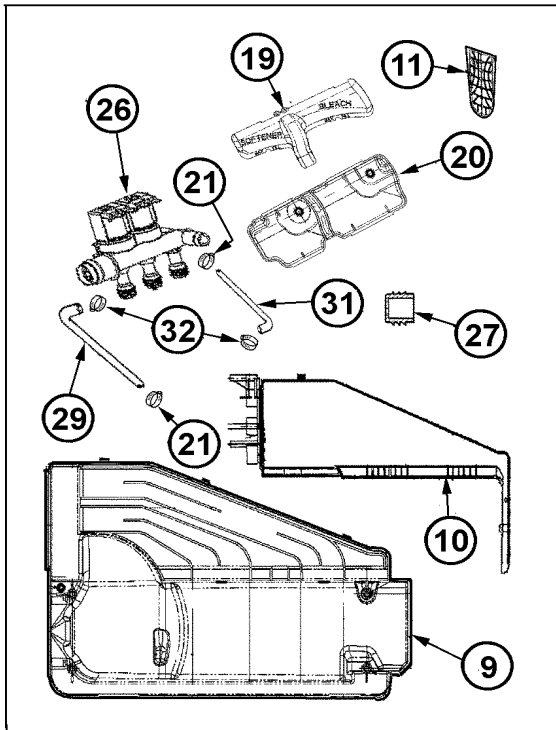
*Color Code (-)=Not Shown #=Series, Serial Prefix or Run No., N=Not Available

Section: CONTROL PANEL & TOP

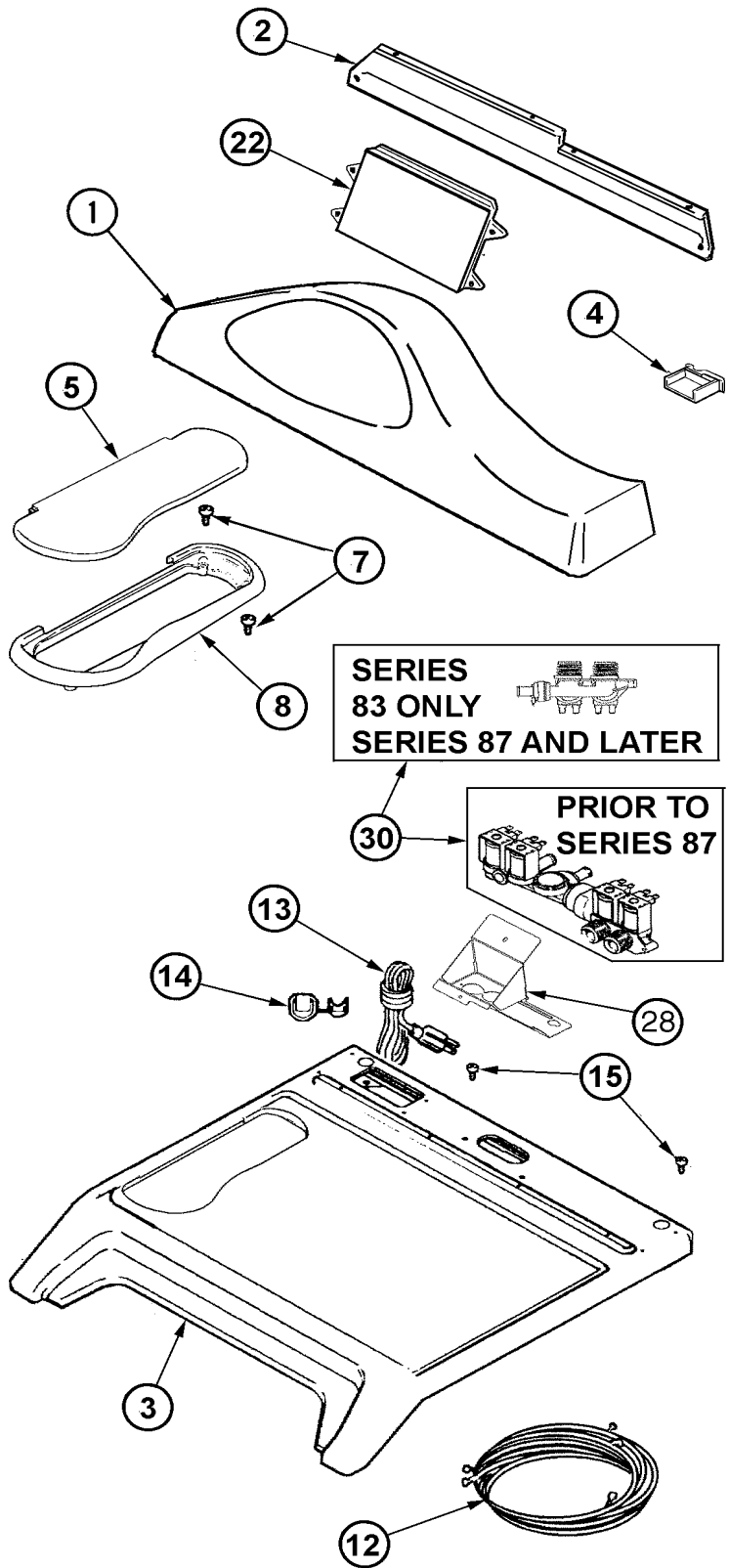
Model: MAH5500BWW



PRIOR TO SERIES 87



**SERIES 83 ONLY
SERIES 87 AND LATER**



**SERIES 83 ONLY
SERIES 87 AND LATER**

PRIOR TO SERIES 87

Section: CONTROL PANEL & TOP

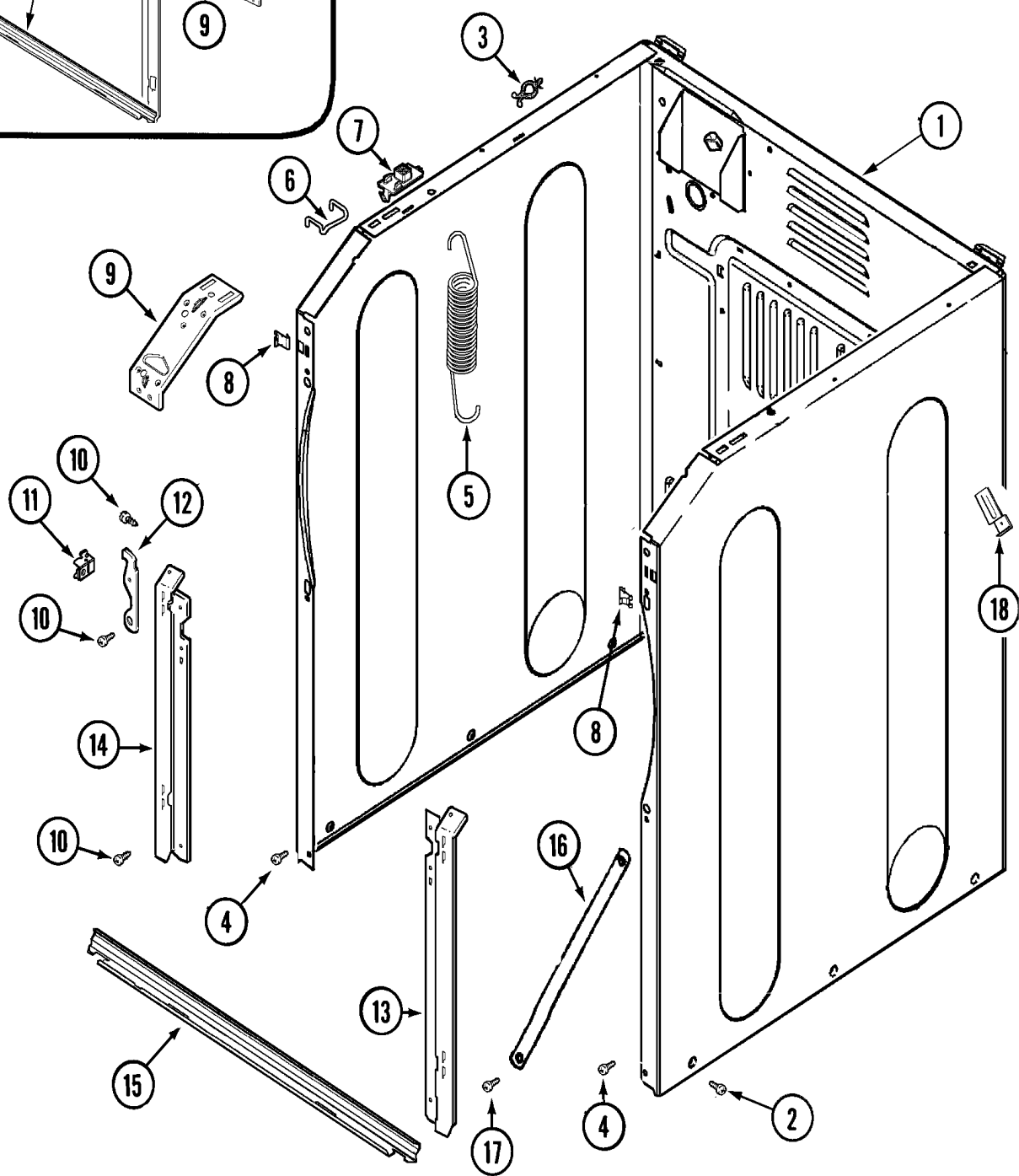
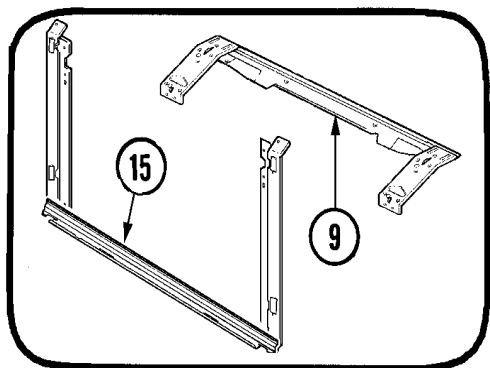
No.	Part No.	Description	Series	Qty
22	22003552	CONTROL BOARD/MTG.-LED ASPK	71	1
22	22004431	HARNESS, MAIN LED	B4	1
22	22003314	CONTROL BOARD/MTG BRACKET-LED	10	1
22	22004482	BOARD, CONTROL----SUB	C7	1
22	22004299	CONTROL BOARD (LED)	A8	1
22	22004488	CONTROL BOARD	C8	1
22	22004446	CONTROL BOARD, AS PACKED SUB	B4	1
23	2201907	MANUAL, USE & CARE	B3	1
23	2206687	MANUAL, USE & CARE LED WASHER	C2	1
23	22003304	MANUAL, USE & CARE	10	1
23	N 62729220	MANUAL, USE & CARE (ARABIC)	10	1
24	22003895	USE & CARE MANUAL	10	1
24	22003928	VIDEO USER GUIDE / LED	10	1
25	16008373	MANUAL, SERVICE-NO REFUND	10	1
26	22003846	DISPENSER VALVE Note: PILOT RUN FOR THIS SERIES ONLY	83	1
26	22003846	DISPENSER VALVE Note: ITEMS 26 & 27 SERIES 83 ONLY WHEN REPLACING THIS ITEM ALWAYS REPLACE 12001929 VALVE SEAL KIT IN CONJUNCTION WITH IT	87	1
27	12001929	VALVE SEAL KIT	87	1
28	22003263	SCREW Note: SCREW, BRACKET TO CABINET	10	1
28	22001996	SCREW Note: SCREW, VALVE TO BRACKET	10	1
28	33002212	BRACKET, WATER VALVE	10	1
29	22003832	FILL HOSE, DISPENSER Note: PILOT ON THIS SERIES ONLY	83	1
29	22003832	FILL HOSE, DISPENSER	87	1
30	22003834	WATER VALVE W' THERMISTOR Note: PILOT RUN FOR THIS SERIES ONLY	83	1
30	22003834	WATER VALVE W' THERMISTOR	87	1
30	22003245	VALVE, WATER	10	1
31	22003833	HOSE, TUB SHOWER	87	1
31	22003833	HOSE, TUB SHOWER Note: PILOT ON THIS SERIES ONLY	83	1
32	22001640	CLAMP, HOSE Note: PILOT ON THIS SERIES ONLY	83	2
32	22001640	CLAMP, HOSE	87	2
33	22003325	TAG, ENERGY (LED)	10	1

*Color Code (-)=Not Shown #=Series, Serial Prefix or Run No., N=Not Available

Section: CABINET-FRONT

Model: MAH550BWW

SERIES 69



LW12-22

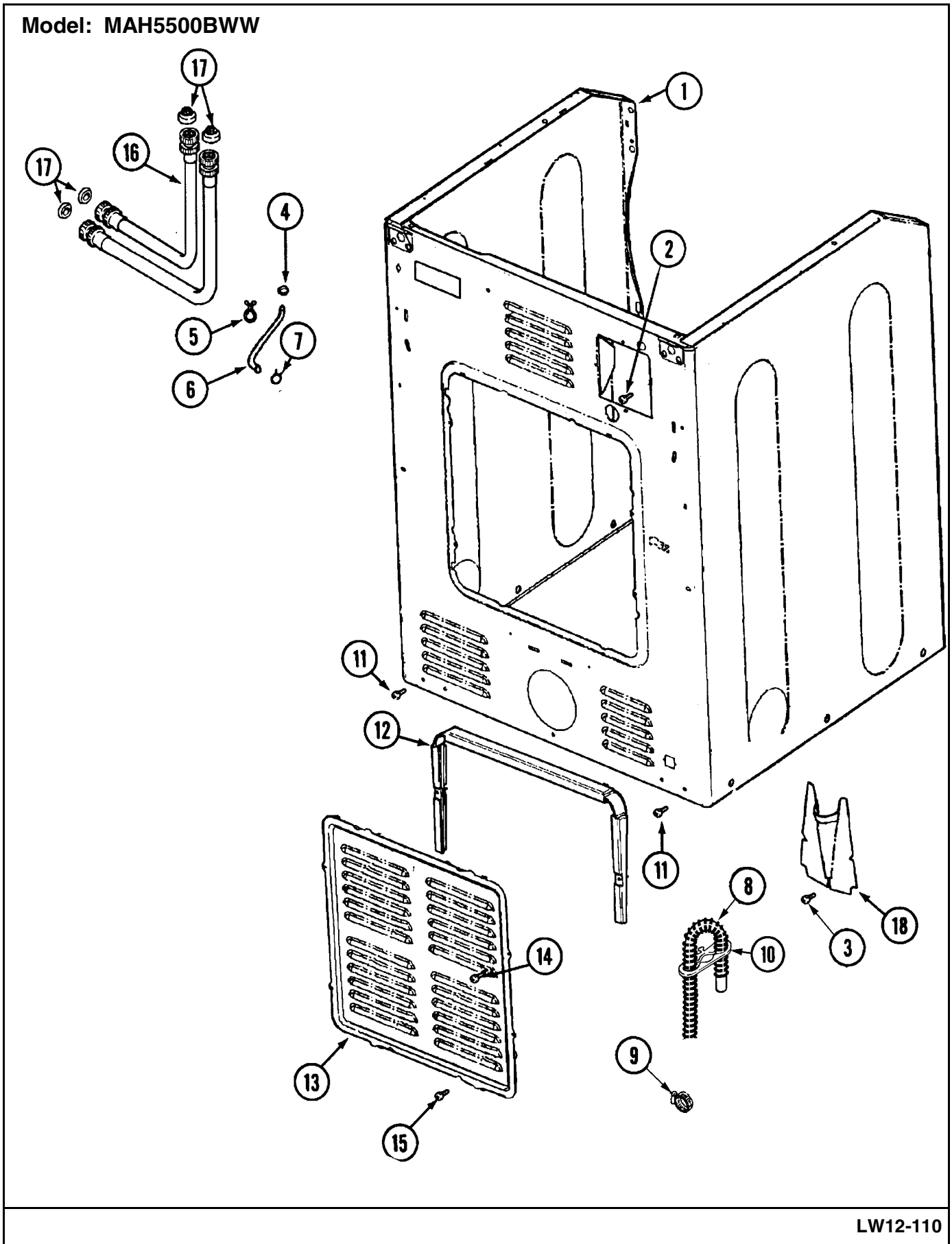
Section: CABINET-FRONT

No.	Part No.	Description	Series	Qty
-	22002293	INSULATION, CABINET Note: (ONE ON EACH SIDE)	10	2
-	22003367	HINGE, PLASTIC	67	2
1	22002548	CABINET ASSY. (WHT)	10	1
1	22003639	CABINET ASSY. (WHT AS PK) Note: CABINET ASSY, (WHT, AS PK)	72	1
-	22001995	SCREW Note: SCREW, HINGE	67	2
1 N	22003582	CABINET, ASSY. (WHT-AS PK)	67	1
2	213007	SCREW, CABINET	10	6
2	22003409	SCREW----NA Note: SCREW, CABINET (TRUSS)	67	6
-	W10124350	NOT REQUIRED PART OR SEE NOTE Note: STOP NOT REQUIRED	67	2
-	22002013	STOP, SHIPPING	10	2
3	22003298	RETAINER, WIRE	10	4
4	22001995	SCREW Note: SCREW, FRONT CABINET	10	2
5	22003254	SPRING, CABINET	10	2
6	22002297	SUPPORT, SPRING	10	2
7	22001997	SPACER, TOP COVER	10	2
8	22002049	CLIP Note: CLIP, FRONT PANEL	10	2
9	22003637	BRACE ASSEMBLY, TOP CROSS	69	1
9	22002292	BRACE, CORNER (LT) Note: BRACE, CORNER (LT)	10	1
9	22002090	BRACE, CORNER Note: BRACE, CORNER (RT)	10	1
10	22001995	SCREW Note: SCREW, SECURITY HOOK	10	8
11	22002001	SUPPORT, HINGE	10	4
12	22002247	HOOK, SECURITY	10	2
13	22002034	BRACKET, SHROUD SUPPORT (RT)	10	1
14	22002985	BRACKET, SHROUD (LT)	10	1
15	22003652	SHROUD SUPPORT ASSEMBLY	69	1
15	22001993	BRIDGE, SHROUD SUPPORT	10	1
16	22002259	BRACE, CROSS	10	2
17	22001995	SCREW Note: SCREW, CLIP TO SECURITY HOOK	10	2
18	22001996	SCREW Note: SCREW, BRACKET	10	1
18	22002178	BRACKET, WATER SWITCH Note: BRACKET,HOSE	10	1

*Color Code (-)=Not Shown #=Series, Serial Prefix or Run No., N=Not Available

Section: CABINET-REAR

Model: MAH5500BWW



LW12-110

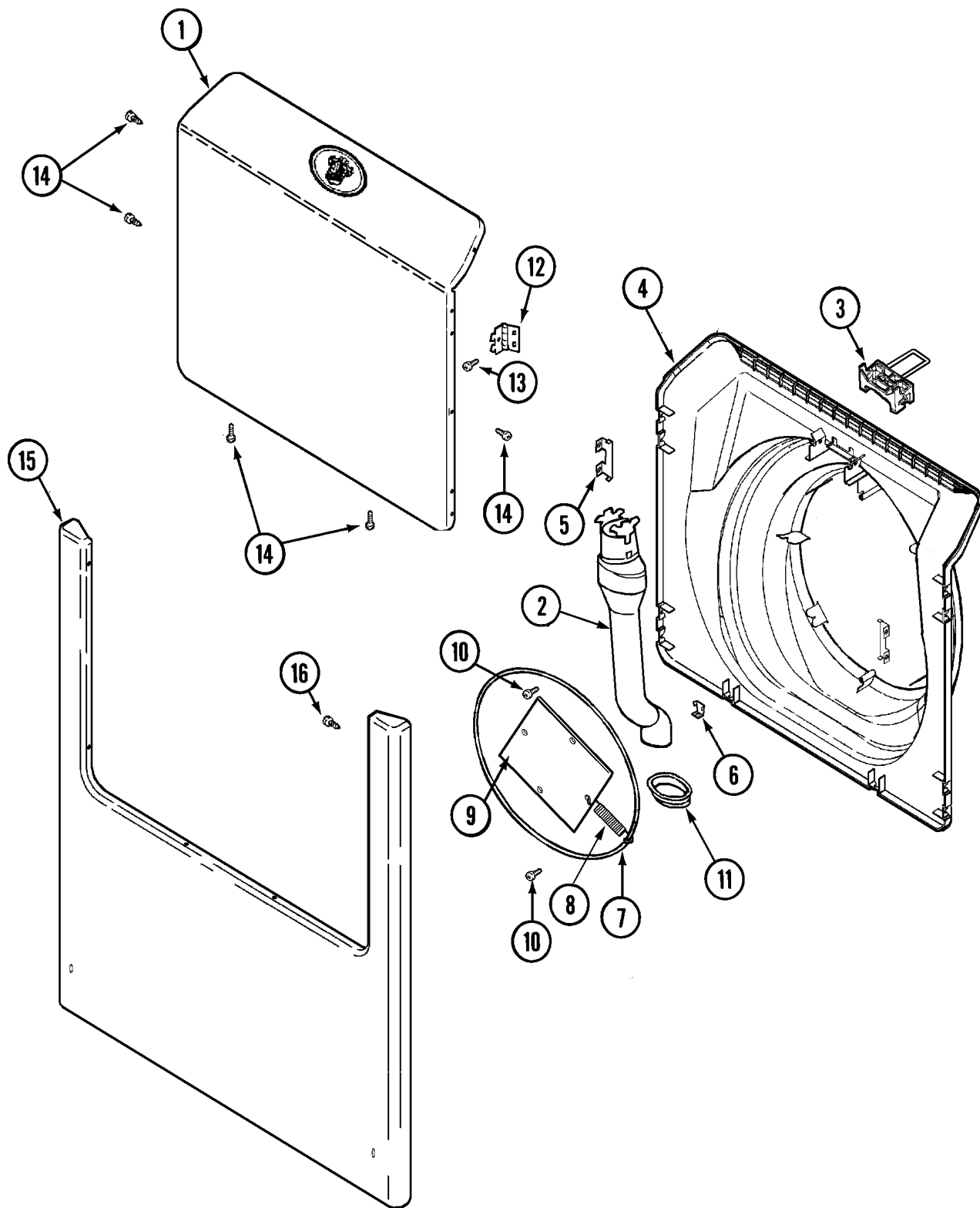
Section: CABINET-REAR

No.	Part No.	Description	Series	Qty
-	22002445	LABEL, SAFETY	10	1
1	22002548	CABINET ASSY. (WHT)	10	1
1	N 22003582	CABINET, ASSY. (WHT-AS PK)	67	1
-	22003367	HINGE, PLASTIC	10	2
1	22003639	CABINET ASSY. (WHT AS PK)	72	1
-	22001995	SCREW	10	2
2	N 33001245	SCREW----NA Note: SCREW, GROUND LUG	10	1
3	22001995	SCREW Note: SCREW, DRAIN HOSE COVER	10	1
4	22002054	CLAMP, STEPLESS	10	1
5	22002027	WIRE TIE, TWIST LOCK	10	2
-	35-2890	CABLE TIE	10	1
6	22002083	HOSE, INJECTOR	10	1
7	216169	CLAMP,HOSE-INJEC.HOSE TO VALVE Note: CLAMP, INJECTOR HOSE	10	1
8	22002932	CLIP, DRAIN HOSE	10	1
8	12001807	KIT NC, DRAIN HOSE REPLACEMENT	10	1
-	35-2890	CABLE TIE	10	1
9	22001984	CLAMP, DRAIN HOSE	10	1
10	22002892	RETAINER, DRAIN HOSE	10	1
11	22001995	SCREW Note: SCREW, CABINET	10	2
12	22002022	SPACER, ACCESS PANEL	10	1
13	22004355	REAR ACCESS PANEL	11	1
13	22002092	PANEL, ACCESS	10	1
14	22002295	SCREW Note: SCREW, ACCESS PANEL SPACER	10	2
14	22002925	SCREW	11	2
15	22001996	SCREW Note: SCREW, ACCESS PANEL	10	2
16	33-7891	HOSE, 4' INLET	10	1
16	33-7046	HOSE, 5' INLET	10	1
17	22002229	STRAINER	10	2
17	Y013783	GASKET, INLET HOSE Note: WASHER, INLET HOSE	10	4
18	22002093	COVER, DRAIN HOSE	10	1

*Color Code (-)=Not Shown #=Series, Serial Prefix or Run No., N=Not Available

Section: DOOR & FRONT PANEL

Model: MAH5500BWW



LW18-11

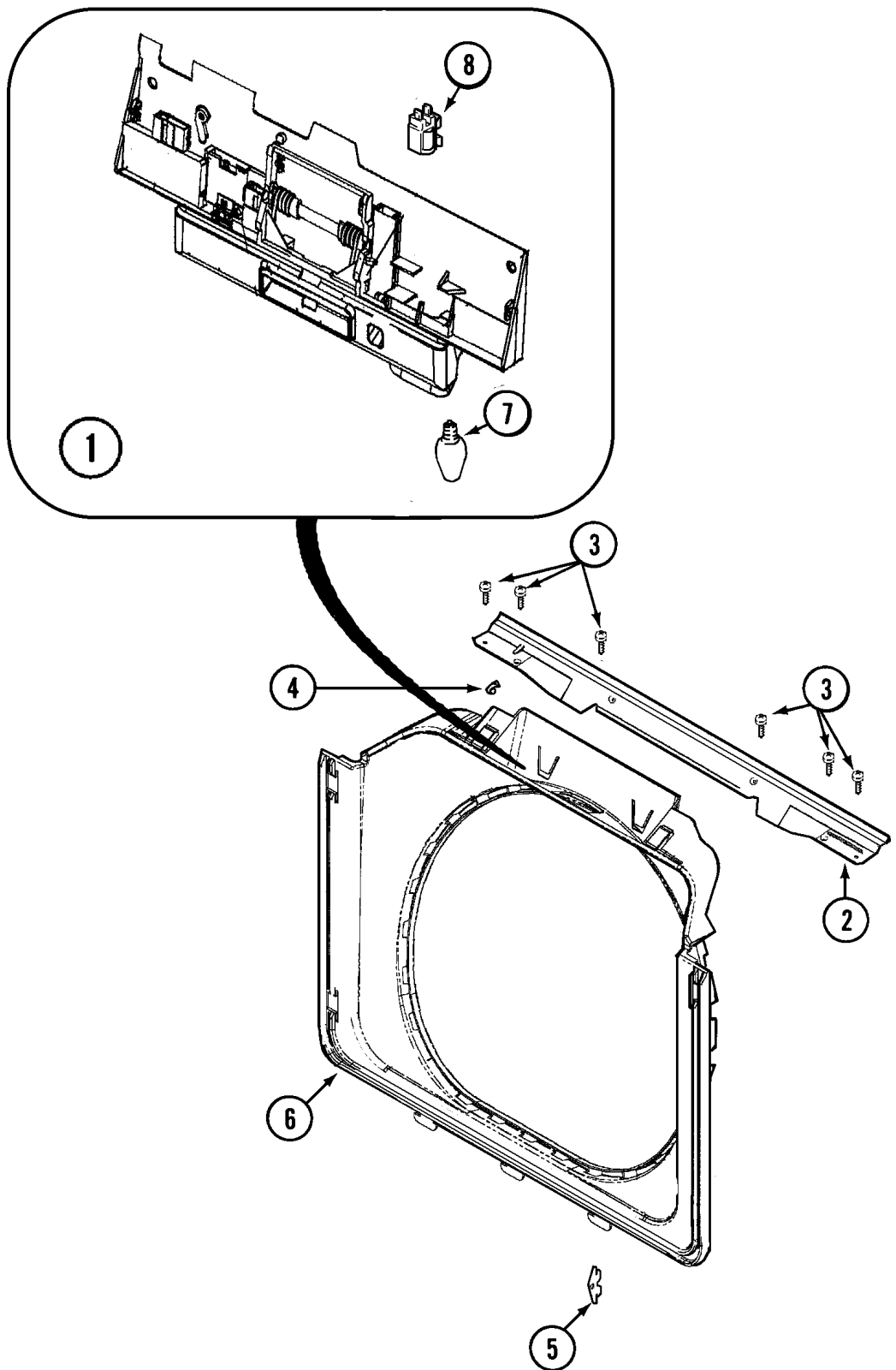
Section: DOOR & FRONT PANEL

No.	Part No.	Description	Series	Qty
1	22003242	DOOR, OUTER W/MEDALLION (WHT)	10	1
1	22003325	TAG, ENERGY (LED)	10	1
2	22002990	VENT TUBE ASSEMBLY	10	1
3	22003269	DOOR, LOCK HOOP ASSEMBLY	10	1
4	22003275	DOOR, INNER (WHT)	10	1
5	22002038	CLIP, DOOR (DOUBLE)	10	4
6	22002039	CLIP, DOOR (SINGLE)	10	2
7	22002104	WIREFRAME Note: REMOVED AT SERIES C6 PER ECN EL43377	10	1
8	22002356	SPRING, PLATE Note: REMOVED AT SERIES C6 PER ECN EL43377	10	4
9	22002094	PLATE Note: REMOVED AT SERIES C6 PER ECN EL43377	10	1
10	22002007	SCREW Note: REMOVED AT SERIES C6 PER ECN EL43377	10	2
11	22003075	GROMMET, VENT TUBE	10	1
12	22002095	COVER, HINGE (WHT)	10	2
12	22002798	HINGE, DOOR	10	2
13	22002062	SCREW Note: SCREW, HINGE	10	4
14	22002063	SCREW #8-18AB WAFER HD	10	6
15	22001995	SCREW Note: SCREW, FRONT PANEL CLIP	10	2
15	22002241	PANEL, FRONT (WHT)	10	1
15	22004428	SEAL, EXPORT	10	1
15	22002239	CLIP, LOWER FRONT PANEL	10	2
15	22002305	INSULATION, FRONT PANEL	10	1
16	22002012	SCREW, HINGE Note: SCREW, HINGE	10	4
17	22002244	CLIP, GROUNDING	10	1

*Color Code (-)=Not Shown #=Series, Serial Prefix or Run No., N=Not Available

Section: DOOR SHROUD & DOOR LATCH ASSEMBLY

Model: MAH5500BWW



CW10-52

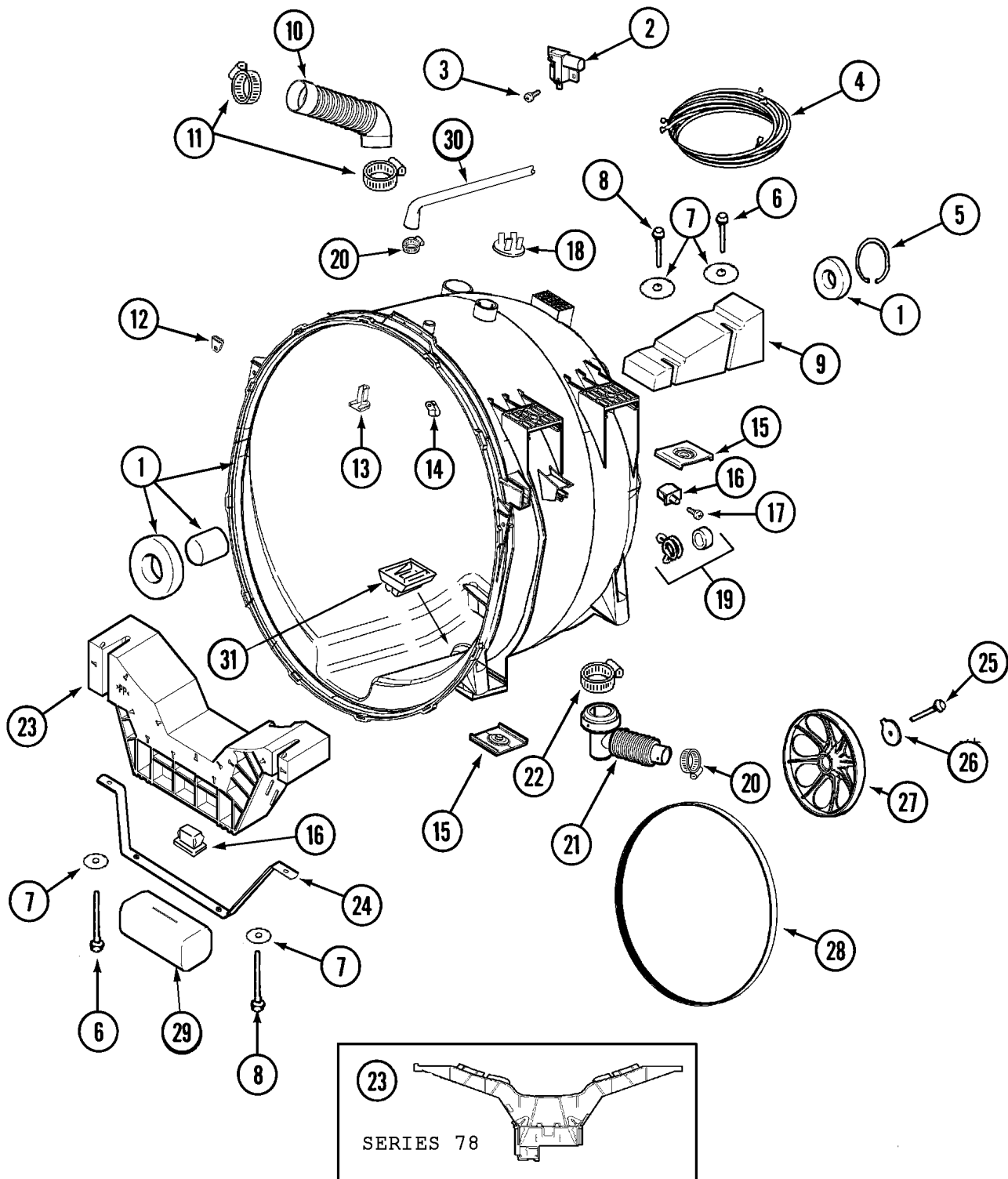
Section: DOOR SHROUD & DOOR LATCH ASSEMBLY

No.	Part No.	Description	Series	Qty
1	22003593	ASSY., DOOR LATCH	10	1
1	22004435	LATCH, ASSEMBLY DOOR EMZ	B4	1
2	22002015	SUPPORT, DOOR LOCK	10	1
3	22001995	SCREW	10	6
4	22002014	CLIP	10	1
5	33001764	COVER, HINGE HOLE (WHT)	74	2
5	33001787	SCREW, HINGE	75	2
5	33001764	COVER, HINGE HOLE (WHT)	75	2
5	22002095	COVER, HINGE (WHT)	10	2
6	22002234	SHROUD, PLASTIC (WHT)	10	1
7	22002263	LAMP (10 WATT)	10	1
8	22002433	BULB HOLDER ASSEMBLY	10	1

*Color Code (-)=Not Shown #=Series, Serial Prefix or Run No., N=Not Available

Section: OUTER TUB

Model: MAH5500BWW



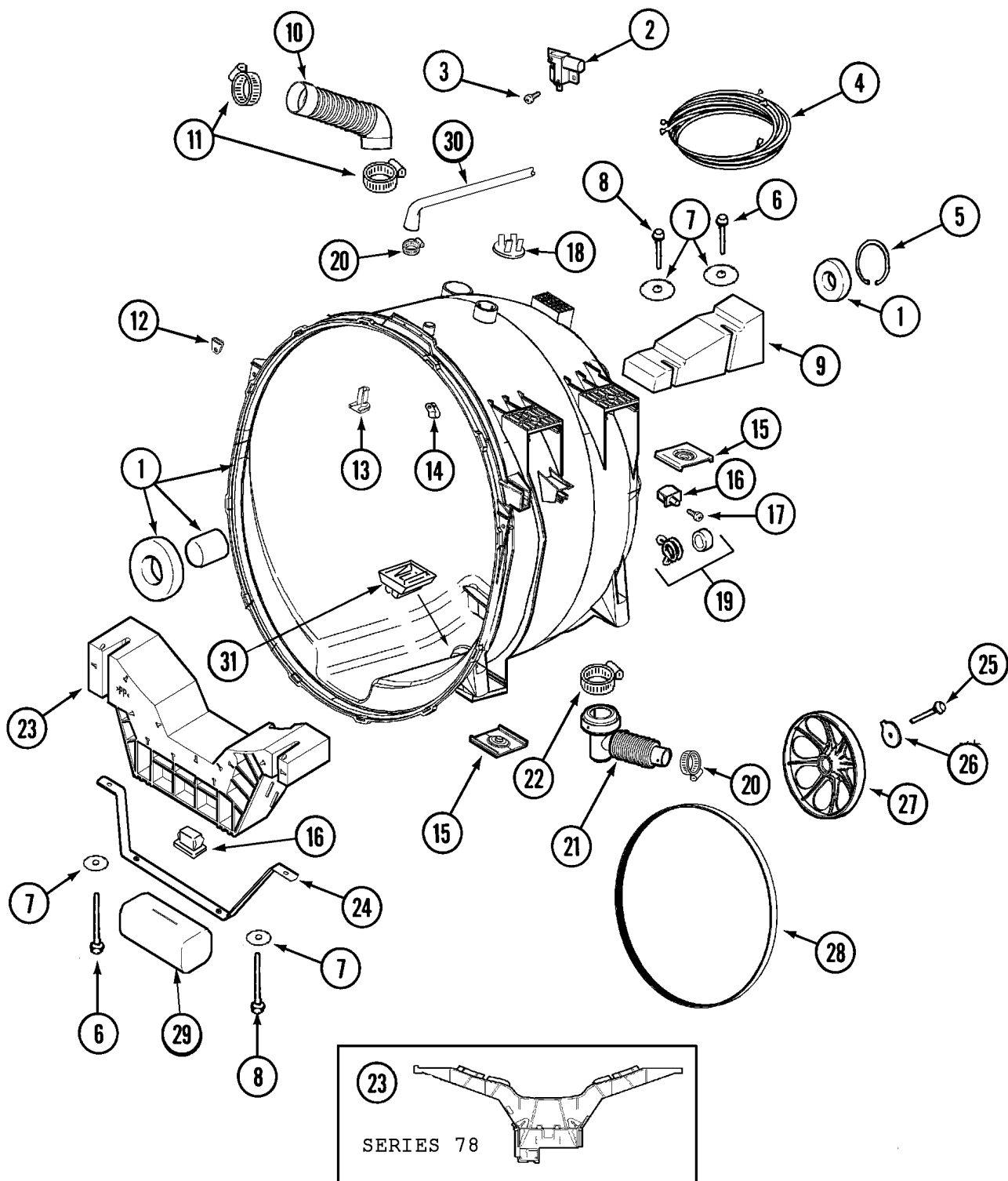
Section: OUTER TUB

No.	Part No.	Description	Series	Qty
1	22003212	COVER, TUB (W/SEAL) (ASP) Note: (SPACER & BEARINGS AVAILABLE ONLY WITH OUTER TUB ASSY.)	10	1
1	22004080	OUTER TUB ASSEMBLY AS-PK KIT	A1	1
1	22004080	OUTER TUB ASSEMBLY AS-PK KIT Note: OUTER TUB ASSEMBLY PILOT	98	1
1	22004465	OUTER TUB ASSY, AS PACK	B5	1
-	22003326	CLIP, HEATER HARNESS TO TUB	10	1
1	22003413	OUTER TUB ASSY.(NC AS PACKED)	10	1
-	22002006	CLIP	92	1
2	22003302	SWITCH, INTERNAL UNBALANCE	10	1
-	22002061	SCREW	92	1
3	22002300	SCREW	10	2
4	22003271	HARNESS, UNBALANCE SWITCH	10	1
-	22004047	HARNESS, MOTOR/MOTOR CONTROL	85	1
4	22003829	HARNESS, UPPER SUB ASSY	10	1
-	22004052	HARNESS UPPER SUB ASSY	92	1
-	22003684	WIRE HARNESS, UPPER SUB ASSY	85	1
5	N 22001981	RING, RETAINING	10	1
6	22001991	BOLT Note: BOLT (LONG)	10	2
6	33002973	SCREW, #9-15 X 1.00 HX WS	B6	2
-	22003828	PLATED BOLT, DOUBLE SEMS SU	85	1
7	N 22002067	WASHER, COUNTER BALANCE	10	2
7	22003828	PLATED BOLT, DOUBLE SEMS SU	10	1
-	22003828	PLATED BOLT, DOUBLE SEMS SU	85	1
8	33002973	SCREW, #9-15 X 1.00 HX WS	B6	2
8	22002056	BOLT Note: BOLT (SHORT)	10	2
9	22002102	WEIGHT, COUNTER BALANCE	10	1
10	22002083	HOSE, INJECTOR	10	1
11	22002052	CLAMP, INJECTOR HOSE	10	2
12	22002103	CLIP, U	10	2
13	22002959	DEFLECTOR, WATER	10	1
14	22002006	CLIP Note: CLIP, WIRE HARNESS & OUTER TUB	10	3
-	N 22002583	WIRE WRAP	10	2
15	22002065	NUT, COUNTER BALANCE	10	2
16	22002044	SWITCH, TUB DISPLACEMENT	10	2
17	22002061	SCREW	10	1
18	22002797	CLIP, HOSE (SADDLE HORN)	10	1
-	22002061	SCREW Note: SCREW, SADDLE HORN CLIP	10	1
-	22003295	CLAMP, HOSE DOUBLE WIRE	10	1
19	22003261	PLUG, OUTER TUB	10	1
20	205161	CLAMP - 15/16"	10	2
21	22003262	HOSE, TUB TO PUMP	10	1
22	22002053	CLAMP, SUMP HOSE	10	1
23	22004472	BRACKET, LOWER	B5	1
23	22003826	LOWER BRACKET	85	1
23	22003253	BRACKET, FRONT WEIGHT Note: SERIES 78 AND LATER SEE # 78	10	1
24	22002008	STRAP	10	1
25	22002057	SCREW, SPINNER	10	1
-	22003936	WASHER (1 1/4")	89	1
26	22002055	WASHER, SPINNER SHAFT	10	1
27	22001998	PULLEY, SPINNER	10	1
28	12001435	BELT KIT, DRIVE	10	1
29	22002011	CUSHION	10	1
29	22003827	CUSHION	10	1
-	22002027	WIRE TIE, TWIST LOCK Note: (UPR SUB HARNESS TO HOSE)	10	3
30	22003259	HOSE, SHOWER (9 1/2")	10	1
31	22003257	CAP, SUMP	10	1

*Color Code (-)=Not Shown #=Series, Serial Prefix or Run No., N=Not Available

Section: OUTER TUB

Model: MAH5500BWW



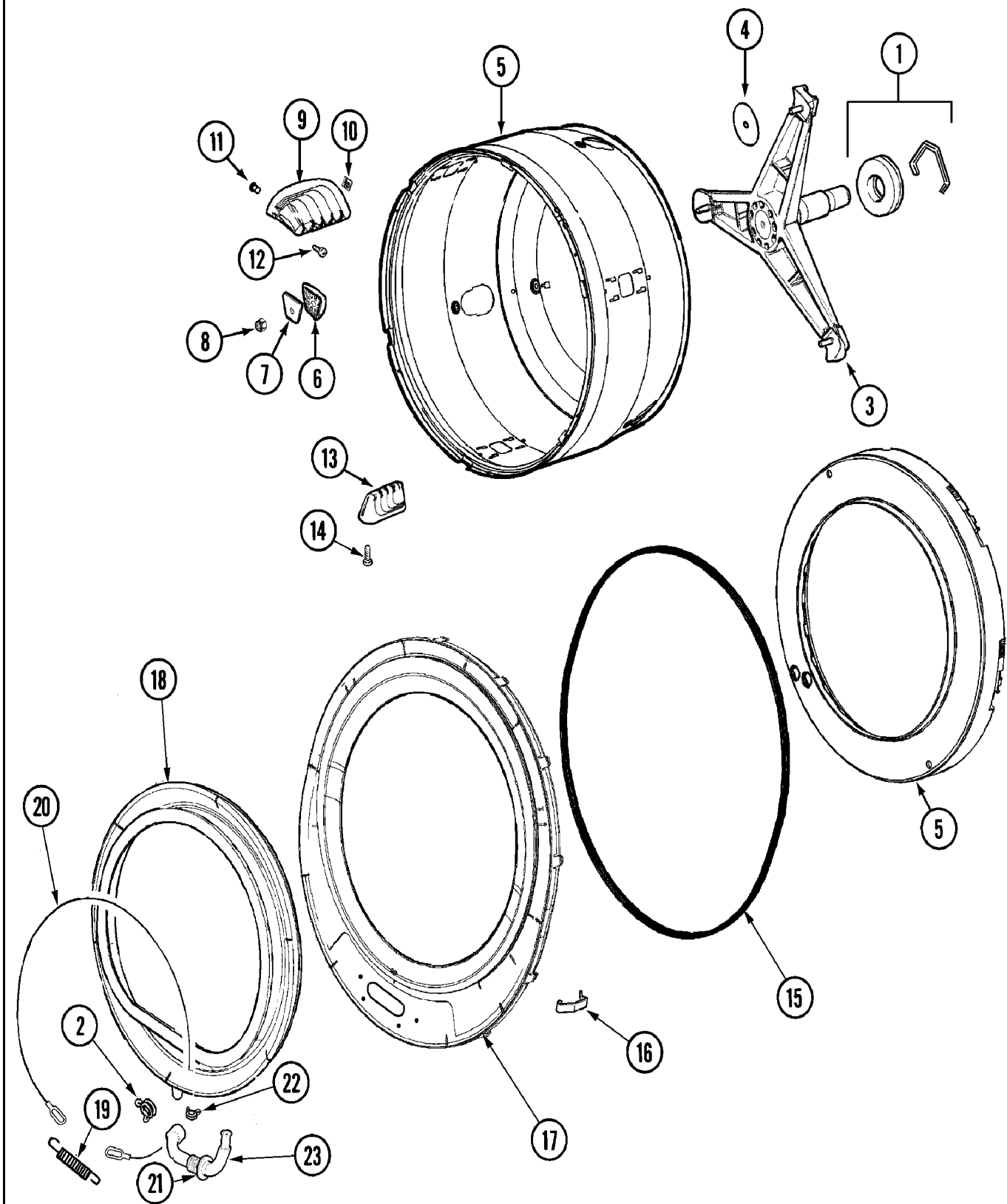
Section: OUTER TUB

No.	Part No.	Description	Series Qty
-	22003263	SCREW Note: SCREW (SUMP CAP)	10 2

*Color Code (-)=Not Shown #=Series, Serial Prefix or Run No., N=Not Available

Section: SPINNER ASSEMBLY & OUTER TUB COVER

Model: MAH5500BWW



CW17-15

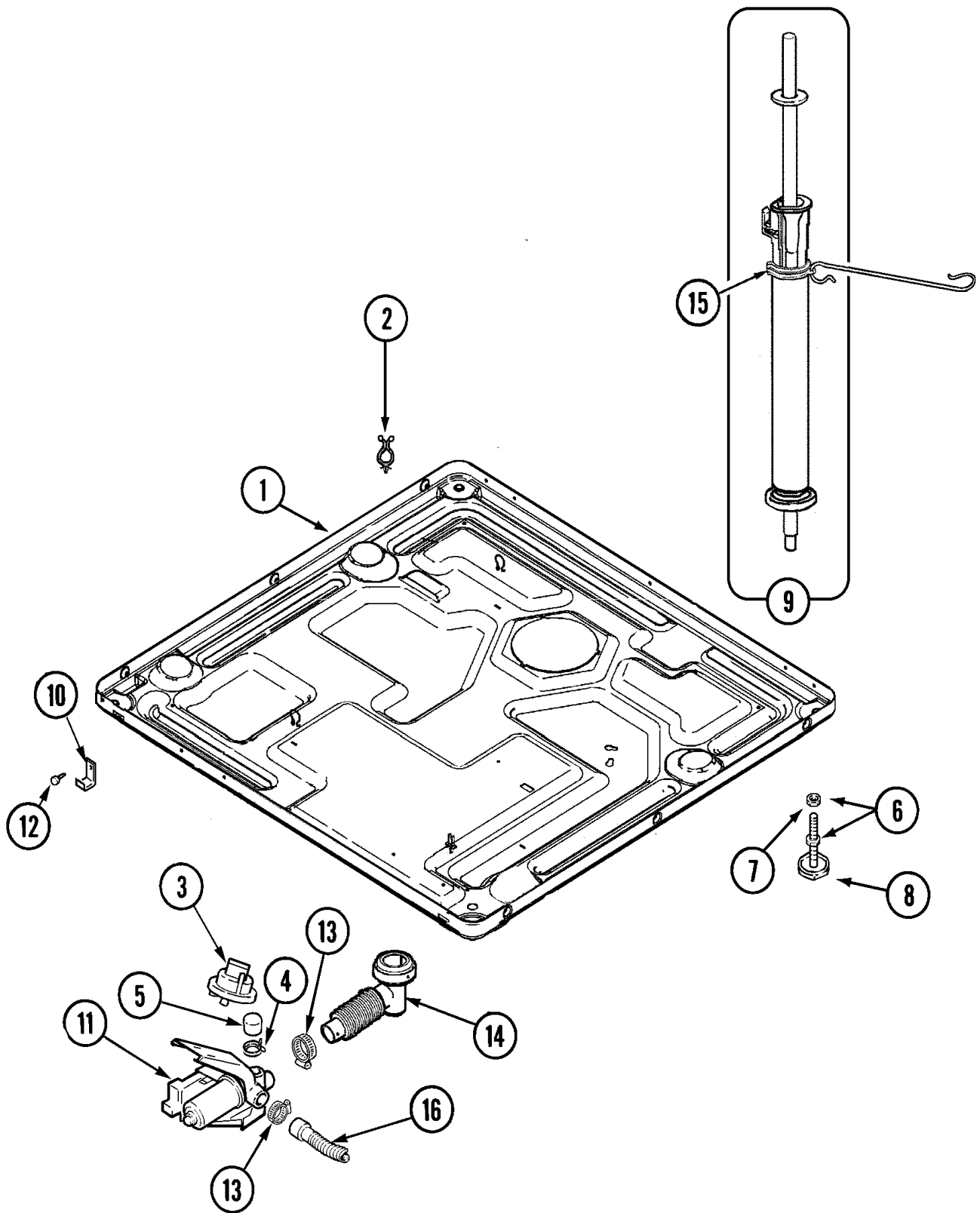
Section: SPINNER ASSEMBLY & OUTER TUB COVER

No.	Part No.	Description	Series	Qty
1	12001478	LIP SEAL SVC ASSY.	10	1
-	12002022	LIP SEAL KIT Note: LIP SEAL KIT PILOT	98	1
-	12002022	LIP SEAL KIT	A1	1
2	22003073	CLAMP, HOSE DOUBLE WIRE	10	1
-	22003925	SPINNER SUPPORT ASSY AS PACK	89	1
-	22004081	SPINNER SUPPORT ASSY AS-PK KIT Note: SPINNER SUPPORT ASSY PILOT	98	1
-	22004081	SPINNER SUPPORT ASSY AS-PK KIT	A1	1
-	22004108	O RING	A1	1
3	22002897	SUPPORT ASSY., SPINNER	10	1
-	22002123	TUBE, MOLYKOTE	10	1
4	22002023	WASHER, PLASTIC	10	3
5	22002115	SPINNER ASSY. (W/BALANCE RING) Note: (BALANCE RING NOT AVAILABLE AS A SEPERATE PART)	10	1
6	22002482	WASHER, PROFILE	10	3
7	22002020	WASHER, SPINNER SUPPORT	10	3
8	22002122	NUT, SPINNER ATTACHMENT	10	3
9	22001985	BAFFLE, DRIP (REAR)	10	3
10	22002009	GROMMET, BAFFLE (REAR)	10	3
11	22001999	GROMMET, BAFFLE (FRT)	10	3
12	22002325	SCREW Note: SCREW, BAFFLE (REAR)	10	6
13	22001986	BAFFLE, DRIP (FRONT)	10	3
14	22002059	SCREW Note: SCREW, BAFFLE (FRONT)	10	6
15	22002077	SEAL, TUB COVER	10	1
16	22002050	CLIP, TUB TO COVER	10	13
17	22003212	COVER, TUB (W/SEAL) (ASP)	10	1
-	22004254	COVER, TUB W/SEAL&CAPS ASPK	A5	1
-	22003326	CLIP, HEATER HARNESS TO TUB	10	1
-	22003081	PLUG	10	1
18	12001772	KIT, DOOR BOOT W/DRAIN	10	1
19	22002099	SPRING, TUB	10	1
20	22002327	BOOT CABLE CLAMP	10	1
21	22003074	GUARD, HOSE	10	1
22	22003072	CLAMP, HOSE DOUBLE WIRE	10	1
23	22003071	DOOR BOOT DRAIN HOSE Note: HOSE, DOOR BOOT DRAIN	10	1

*Color Code (-)=Not Shown #=Series, Serial Prefix or Run No., N=Not Available

Section: BASE

Model: MAH5500BWW



LW10-57

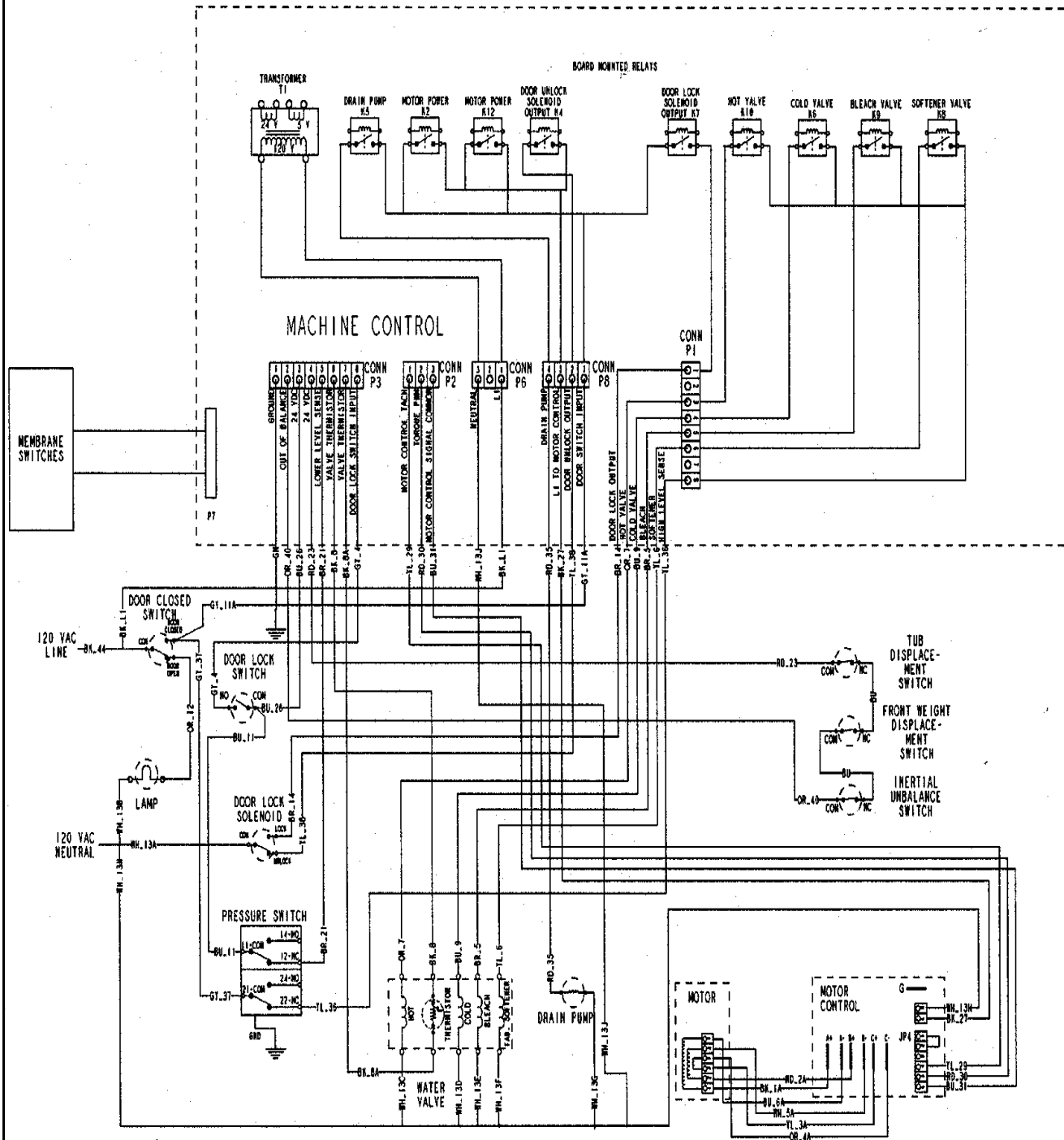
Section: BASE

No.	Part No.	Description	Series	Qty
1	22003435	BASE, ASSEMBLY	10	1
-	22002014	CLIP	10	1
1	22003580	BASE, ASSEMBLY	67	1
-	212276	SCREW	10	1
1	22003605	BASE WELD ASSEMBLY	72	1
2	22003298	RETAINER, WIRE	10	3
-	22002852	RETAINER, WIRE Note: RETAINER, WIRE HARNESS TO BASE	10	2
- N	22003265	BAG, PLASTIC W/DRAWSTRING	10	1
3	22003728	SWITCH, PRESSURE	C7	1
3	22004500	SWITCH, PRESSURE-2 LEVEL	C8	1
-	22003728	SWITCH, PRESSURE	74	1
3	22004500	SWITCH, PRESSURE-2 LEVEL	C4	1
3	22003250	SWITCH, PRESSURE	10	1
4	22002853	CLAMP, HOSE	10	1
5	22003268	CAP, RUBBER	10	1
6	22001915	ADJUSTABLE LEG & NUT	10	4
7	Y052740	NUT	10	4
8	210684	FOOT, RUBBER	10	4
9	22001988	STRUT ASSY-REAR	10	2
10	22002239	CLIP, LOWER FRONT PANEL	10	2
11	22003244	PUMP	10	1
11	25001012	PUMP ISOLATOR BRACKET Note: NOT SHOWN ON GRAPHICS	10	1
12	22001995	SCREW Note: SCREW, PANEL CLIP	10	2
13	202515	HOSE CLAMP - 1-1/16 INCH	10	1
14	22003262	HOSE, TUB TO PUMP	10	1
15	22003080	CLIP, AIRDOME HOSE Note: CLIP, STRUT	10	2
16	12001807	KIT NC, DRAIN HOSE REPLACEMENT	10	1

*Color Code (-)=Not Shown #=Series, Serial Prefix or Run No., N=Not Available

Section: WIRING INFORMATION

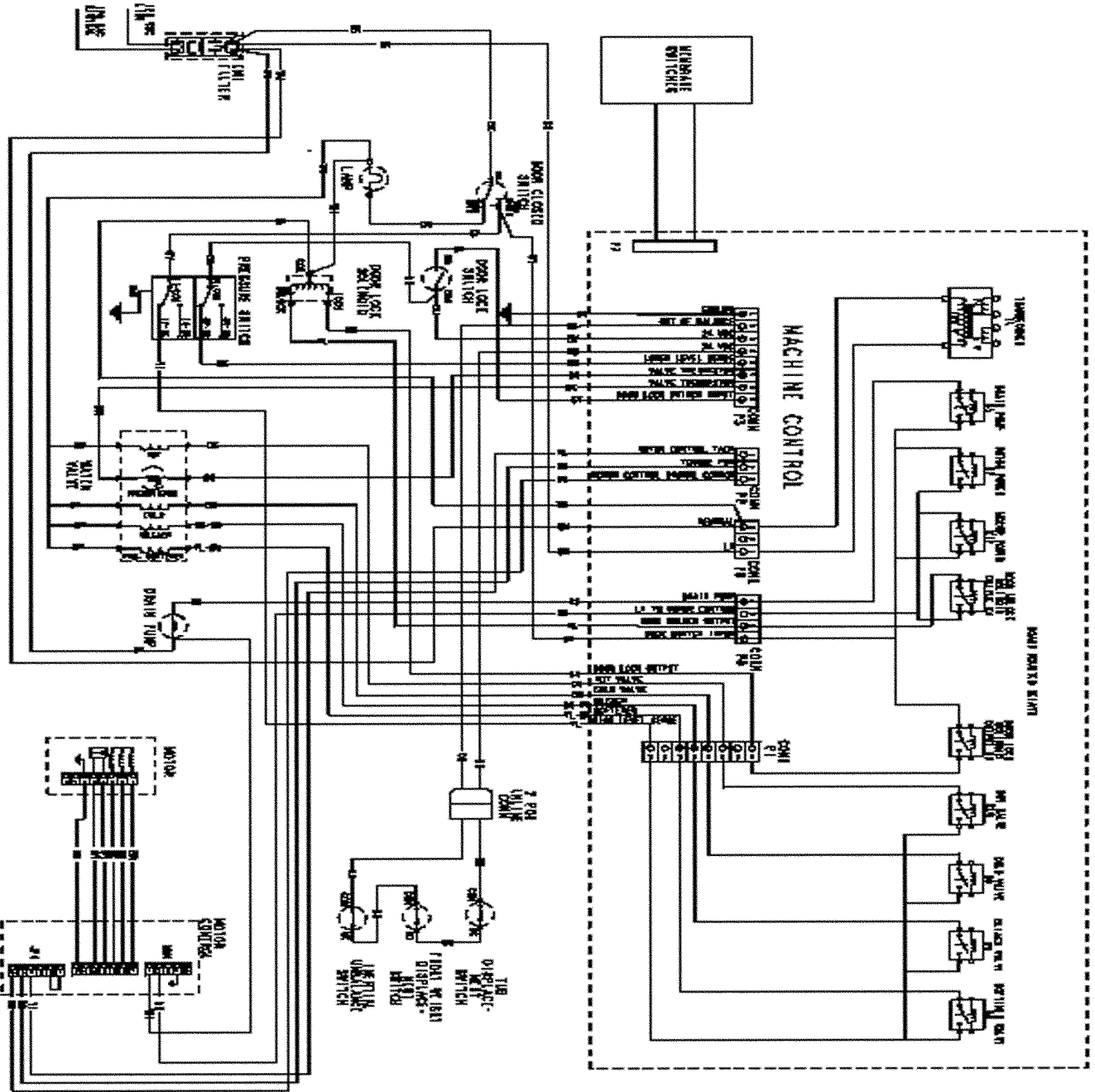
Model: MAH550BWW



15002717

Section: WIRING INFORMATION

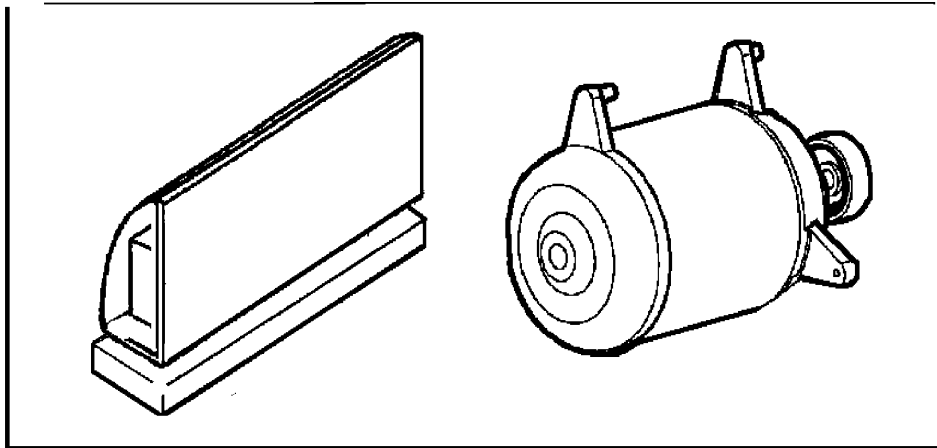
Model: MAH5500BWW



15003436




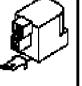

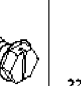


Section: MOTOR & MOTOR SUPPORT

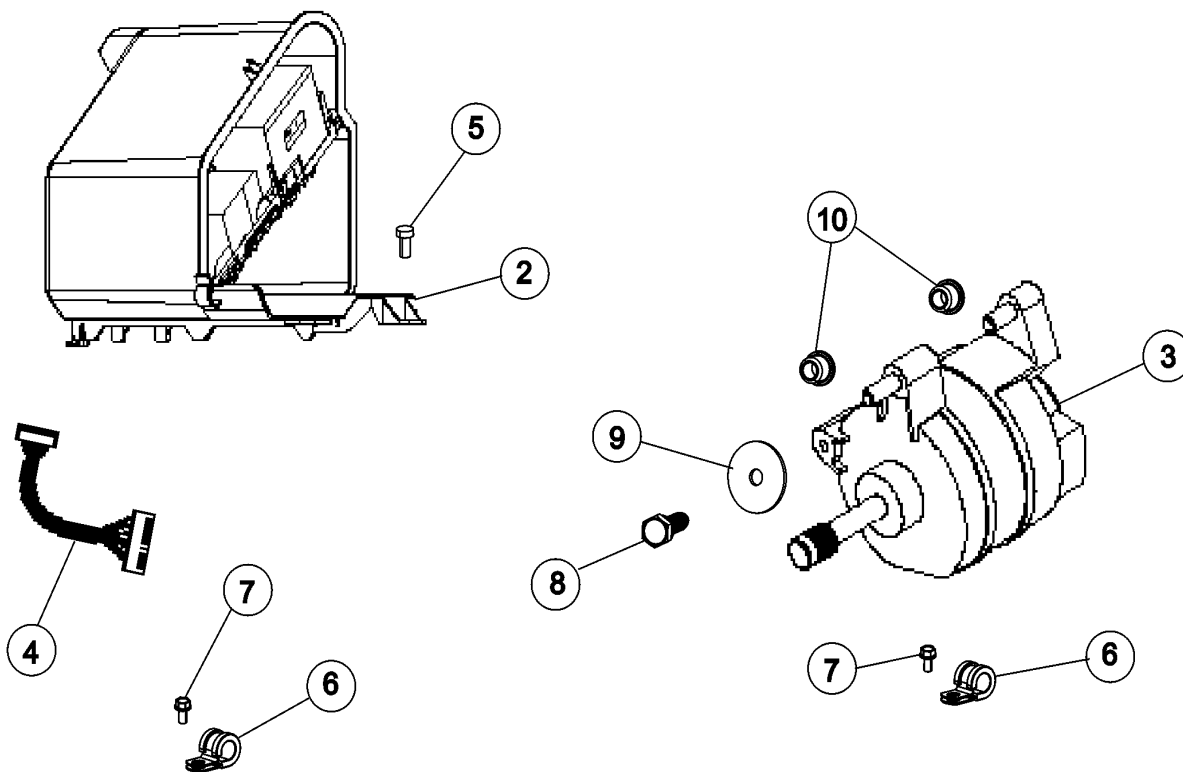
Model: MAH5500BWW



1 USE FOR ITEM 2 PRIOR TO SERIES 88

ITEM 1 - KIT CONTAINS:

							
12002040 Motor Isolator	22004046 Motor Control Board	22004047 Motor Harness	22003654 AC Line Filter	22004102 "P" Clips (2)	22002300 Screw - "P" Clip to Motor	22004101 Lower Jumper Wire harness	22004103 Ground Screw



LW14-28

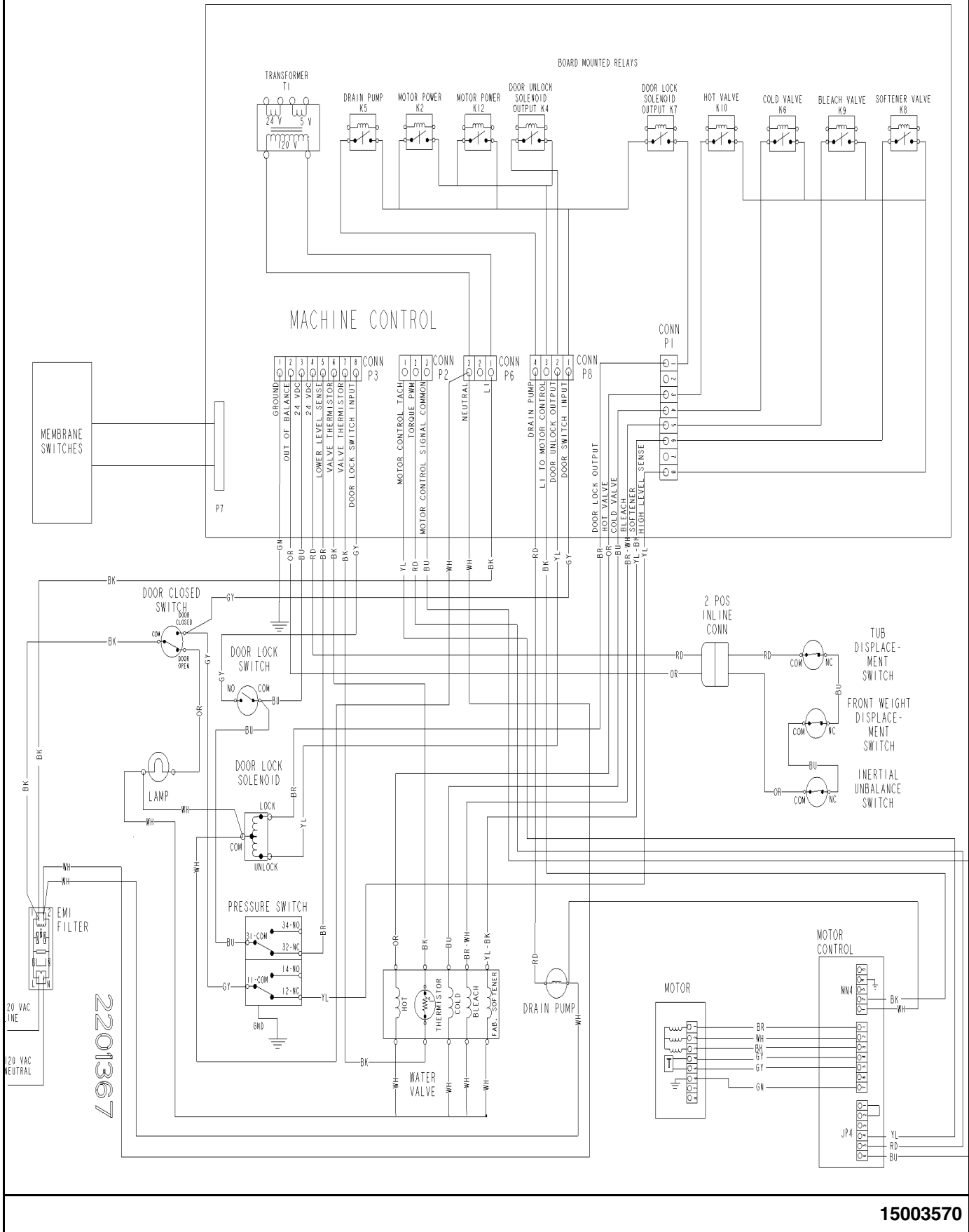
Section: MOTOR & MOTOR SUPPORT

No.	Part No.	Description	Series	Qty
1	12002039	NEPTUNE MOTOR CONVERSION KIT	10	1
2	22001995	SCREW	C3	1
2	22004046	CONTROL ASSY., MOTOR	88	1
2	22001995	SCREW	B8	2
2	22004473	MOTOR CONTROL ASSEMBLY	B8	1
2	22004473	MOTOR CONTROL ASSEMBLY	C1	1
2	22004473	MOTOR CONTROL ASSEMBLY	C3	1
2	22001995	SCREW	C1	1
2	12002039	NEPTUNE MOTOR CONVERSION KIT	10	1
3	22003442	MOTOR, (156 T) 60HZ 120V	10	1
3	22003856	MOTOR, VARIABLE SPEED	88	1
4	22004047	HARNESS, MOTOR/MOTOR CONTROL	88	1
4	2205140	HARNESS, WIRE	C3	1
4	22003855	HARNESS, MOTOR/MOTOR CONTROL	91	1
4	22004047	HARNESS, MOTOR/MOTOR CONTROL	85	1
4	2205140	HARNESS, WIRE	B8	1
5	212276	SCREW	10	2
6	22002173	CLIP, WIRE HARNESS	10	2
7	310632	SCREW	10	2
8	22003686	BOLT, MOTOR	73	1
8	22002058	BOLT, MOTOR	10	1
9	22002086	ADJUSTER, BELT TENSION	10	1
10	22003226	ISOLATOR, MOTOR (POLY)	10	2

*Color Code (-)=Not Shown #=Series, Serial Prefix or Run No., N=Not Available

Section: WIRING INFORMATION

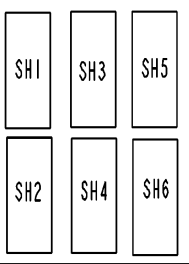
Model: MAH550BWW



15003570

Section: WIRING INFORMATION

Model: MAH5500BWW



PAGE LAYOUT SEE NOTE 7

