

WASHER

Repair Parts List

MODEL NUMBER

MAH5500AWQ

When requesting service or ordering parts, always provide the following information:

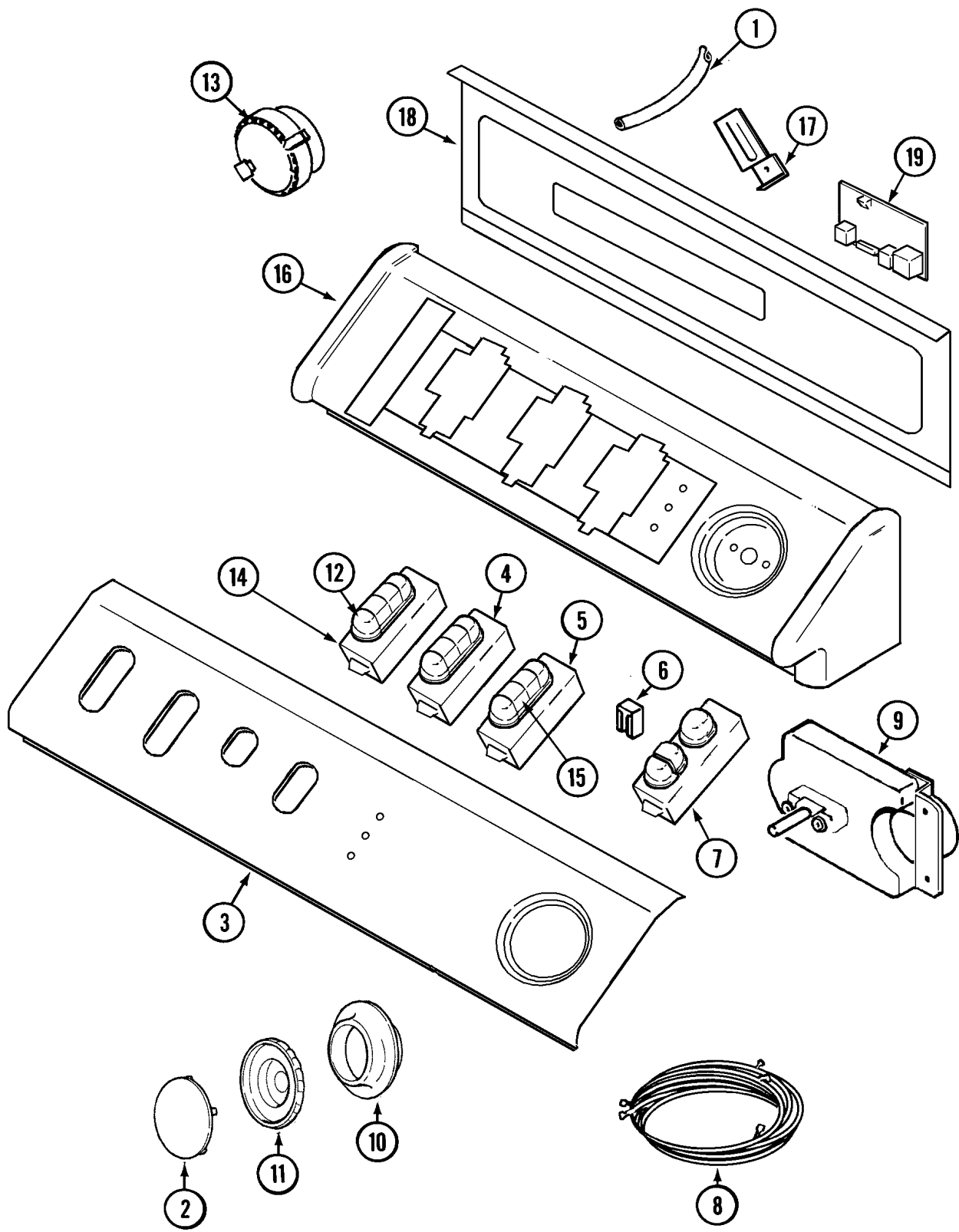
- Product Type
- Part Number
- Model Number
- Part Description

MAYTAG®

©2005 Maytag Services

Section: CONTROL PANEL

Model: MAH5500AWQ



LW11-82

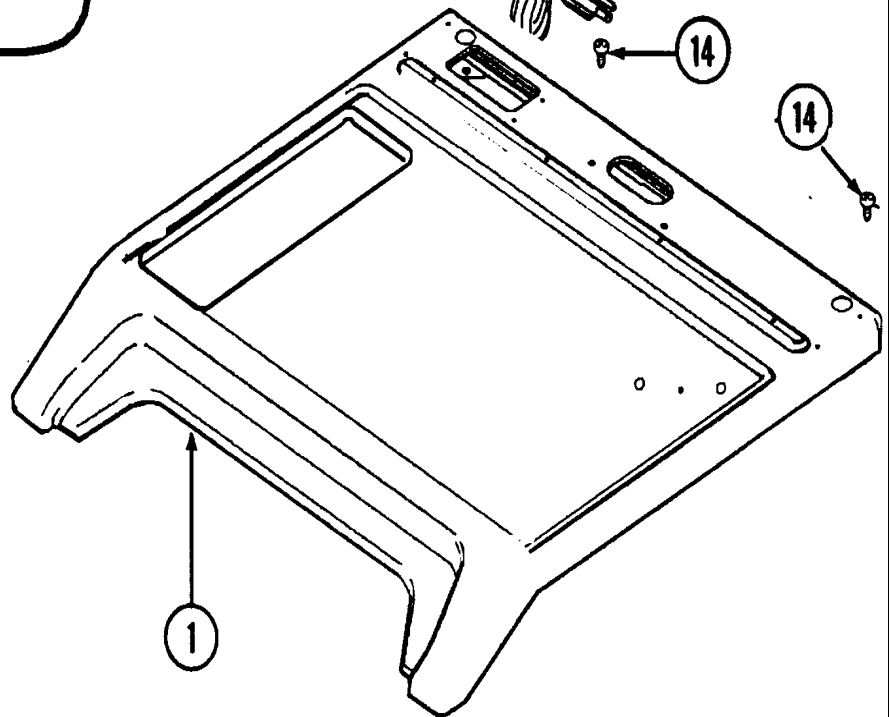
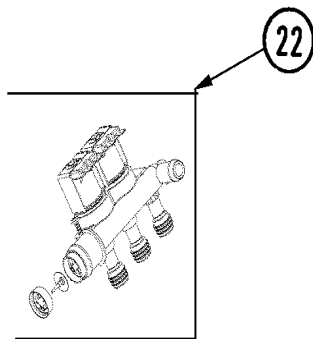
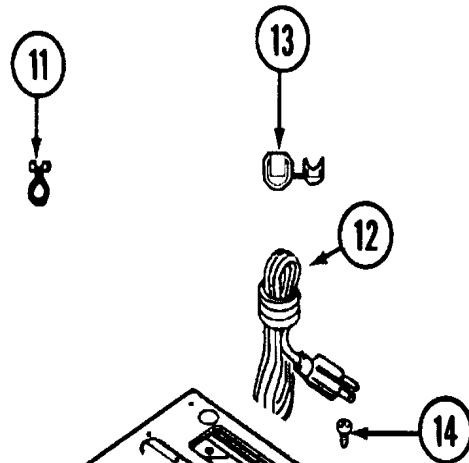
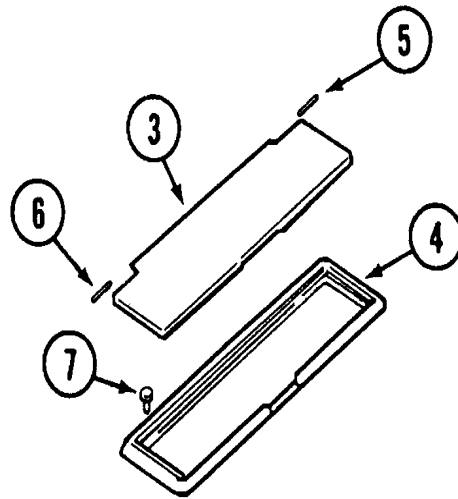
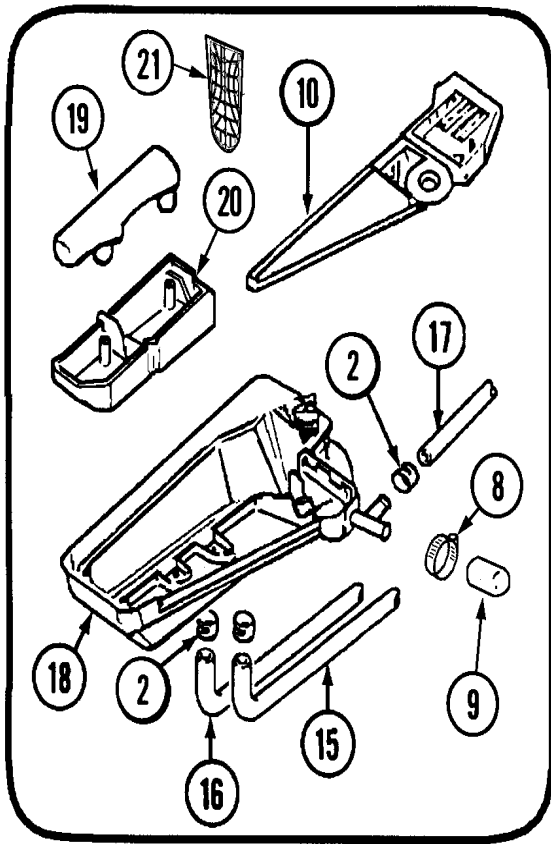
Section: CONTROL PANEL

No.	Part No.	Description	Series	Qty
1	22002010	HOSE, AIR DOME Note: TUBE, WATER LEVEL SWITCH	10	1
-	22003807	MEDALLION, CONSOLE (BSQ)	10	1
-	22003806	MEDALLION, CONSOLE (WHT)	10	1
6	22002281	INDICATOR LIGHT (ON LIGHT) Note: LIGHT, INDICATOR (ON)	10	1
-	22001948	LENS, INDICATOR LIGHT	10	3
6	903115	LOCK LIGHT Note: LIGHT, INDICATOR (DELAY&LOCK)	10	2
8	22003287	HARNESS, MAIN WIRE	45	1
8	22003014	HARNESS, MAIN WIRE	10	1
9	22002867	TIMER	10	1
-	22001662	SCREW Note: SCREW, TIMER	10	1
13	22002994	SWITCH, PRESSURE	10	1
17	22002178	BRACKET, WATER SWITCH Note: BRACKET, TUBE	10	1
-	22001996	SCREW Note: SCREW, BRACKET	10	1
- N	22002345	TIE, WIRE	10	1
18	33001806	BACK, CONSOLE PANEL	10	1
-	Y22002339	SCREW----S Note: SCREW, CONSOLE BACK	10	3
-	22001996	SCREW Note: SCREW, BACK TO TOP COVER	10	2
19	22002788	BOARD, CONTROL	10	1
-	22002284	BRACKET Note: BRACKET, CONTROL BOARD	10	2
20	2201907	MANUAL, USE & CARE	B3	1
-	16008373	MANUAL, SERVICE-NO REFUND	10	1
- N	22003484	SCRIPT, U & C VIDEO (SPN)	10	1
-	22003485	SCRIPT, U & C VIDEO (FRC)	10	1
-	22002304	FRENCH SCRIPT, U & C VIDEO Note: SCRIPT, VIDEO (FRENCH)	10	1
-	22002899	VIDEO, U & C (ENG)	10	1

*Color Code (-)=Not Shown #=Series, Serial Prefix or Run No., N=Not Available

Section: TOP

Model: MAH5500AWQ



LW16-68

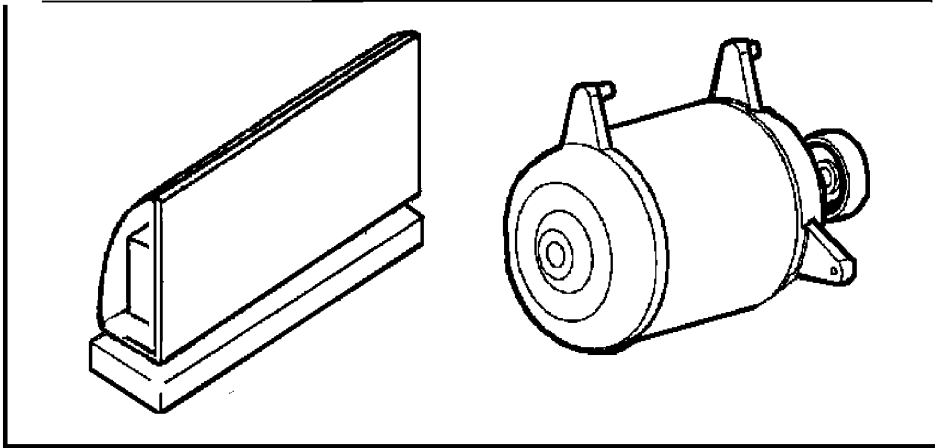
Section: TOP

No.	Part No.	Description	Series	Qty
-	22003584	COVER, TOP (WHT-AS PK)	67	1
2	205161	CLAMP - 15/16" Note: CLAMP, HOSE	10	4
5	Y912678	PIN, HINGE (LONG) Note: PIN, HINGE (LONG)	10	1
6	Y912679	PIN, HINGE (SHORT) Note: PIN, HINGE (SHORT)	10	1
7	22002060	SCREW, BEZEL	10	4
7	22003681	SCREW, DISPENSER LID	58	4
8	22001984	CLAMP, DRAIN HOSE	10	1
9	22002796	CAP	10	1
10	22002555	FLUME, DISPENSER	10	1
10	22003322	TOP, DISPENSER (FLUME)	58	1
-	212276	SCREW Note: SCREW, WIRE TIE	10	1
11	22002027	WIRE TIE, TWIST LOCK	10	2
12	22001178	CORD, POWER	10	1
13	211881	GROMMET, CORD	10	1
14	912365	SCREW Note: SCREW, POWER CORD & GROUND	10	1
15	22002551	HOSE, BLEACH	10	1
16 N	22002552	HOSE, FABRIC SOFTENER----NA	10	1
17	22002553	HOSE, DETERGENT	10	1
17	22003457	HOSE, DETERGENT	58	1
18	22002554	BOTTOM, DISPENSER	10	1
18	22003320	BOTTOM, DISPENSER ASSY.	58	1
19	22002266	CAP, SIPHON	10	1
20	22002265	CUP, SIPHON	10	1
21	22003321	GRID, DISPENSER	87	1
22	22003846	DISPENSER VALVE	87	1
23 N	12001927	3 TUBE UP-DATE KIT W/.69 CAP	87	1

*Color Code (-)=Not Shown #=Series, Serial Prefix or Run No., N=Not Available







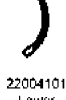

Section: MOTOR & MOTOR CONTROL

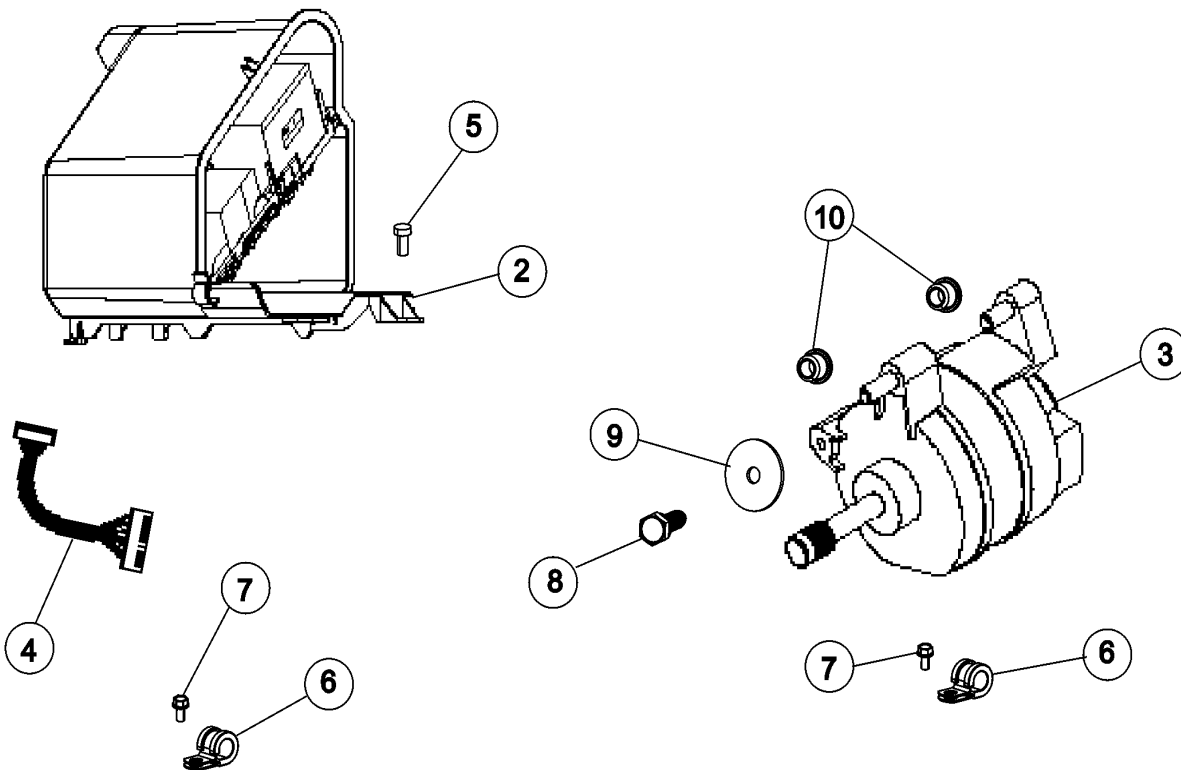
Model: MAH5500AWQ



1 USE FOR ITEM 2 PRIOR TO SERIES 88

ITEM 1 - KIT CONTAINS:

							
12002040 Motor Isolator	22004046 Motor Control Board	22004047 Motor Harness	22003854 AC Line Filter	22004102 "P" Clips (2)	22002300 Screw - "P" Clip to Motor	22004101 Lower Jumper Wire harness	22004103 Ground Screw



Section: MOTOR & MOTOR CONTROL

No.	Part No.	Description	Series	Qty
1	12002039	NEPTUNE MOTOR CONVERSION KIT	10	1
2	22004046	CONTROL ASSY., MOTOR	88	1
2	12002039	NEPTUNE MOTOR CONVERSION KIT	10	1
3	22003856	MOTOR, VARIABLE SPEED	88	1
3	22003442	MOTOR, (156 T) 60HZ 120V	10	1
4	22004047	HARNESS, MOTOR/MOTOR CONTROL	88	1
4	22002471	WIRE HARNESS, MOTOR CONTROL	10	1
5	212276	SCREW	10	2
6	22002173	CLIP, WIRE HARNESS	10	2
7	310632	SCREW	10	2
8	22002058	BOLT, MOTOR	10	1
8	22003686	BOLT, MOTOR	73	1
9	22002086	ADJUSTER, BELT TENSION	10	1
10	22002082	ISOLATOR, MOTOR	10	2

*Color Code (-)=Not Shown #=Series, Serial Prefix or Run No., N=Not Available

