

WASHER

Repair Parts List

MODEL NUMBER

MAF35MC4VL

When requesting service or ordering parts, always provide the following information:

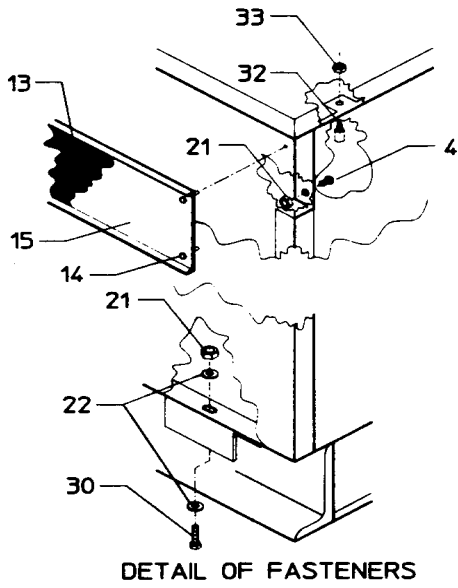
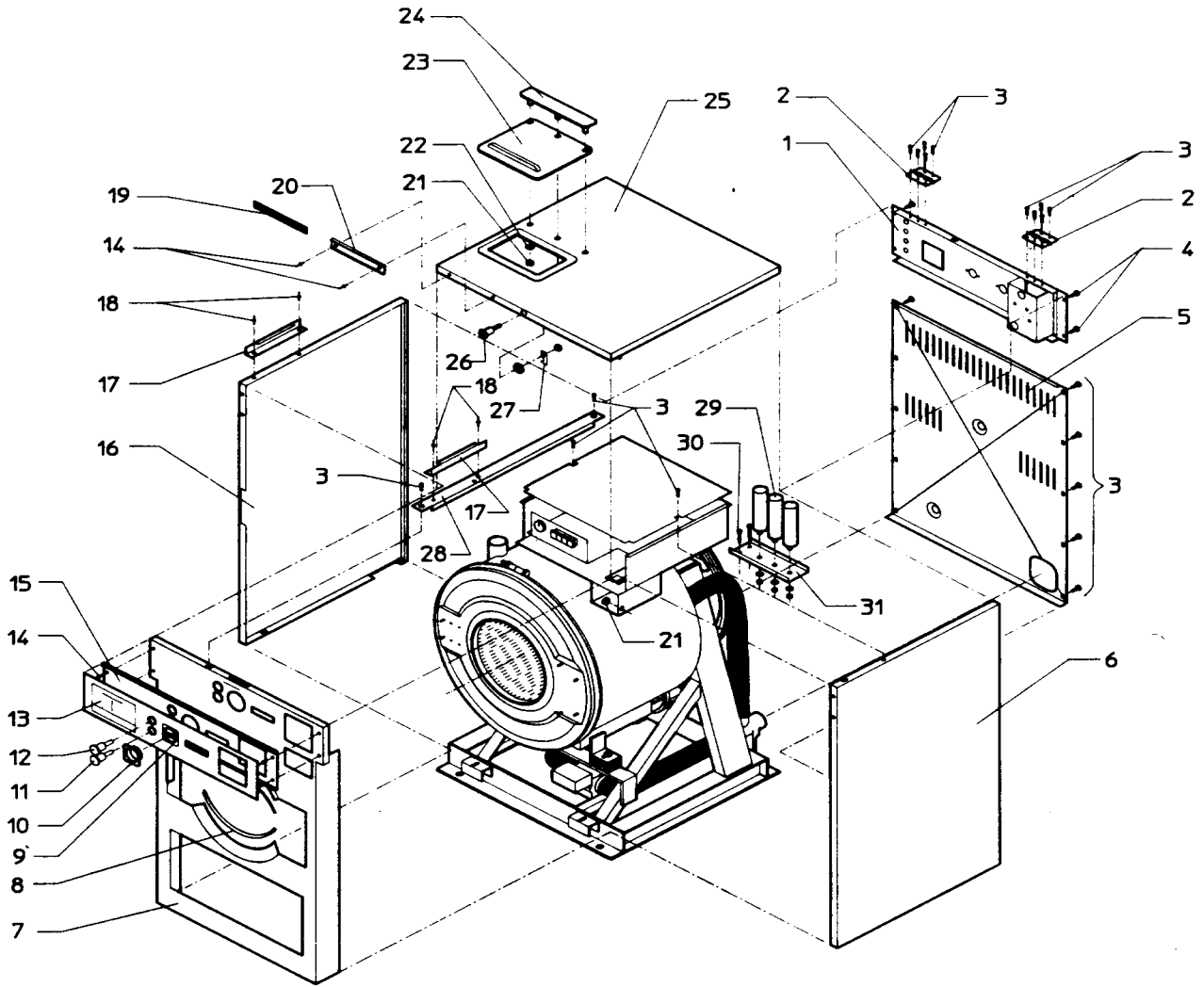
- Product Type
- Part Number
- Model Number
- Part Description

MAYTAG®

©2005 Maytag Services

Section: FINAL ASSEMBLY (MAF35MC4V*)

Model: MAF35MC4VL



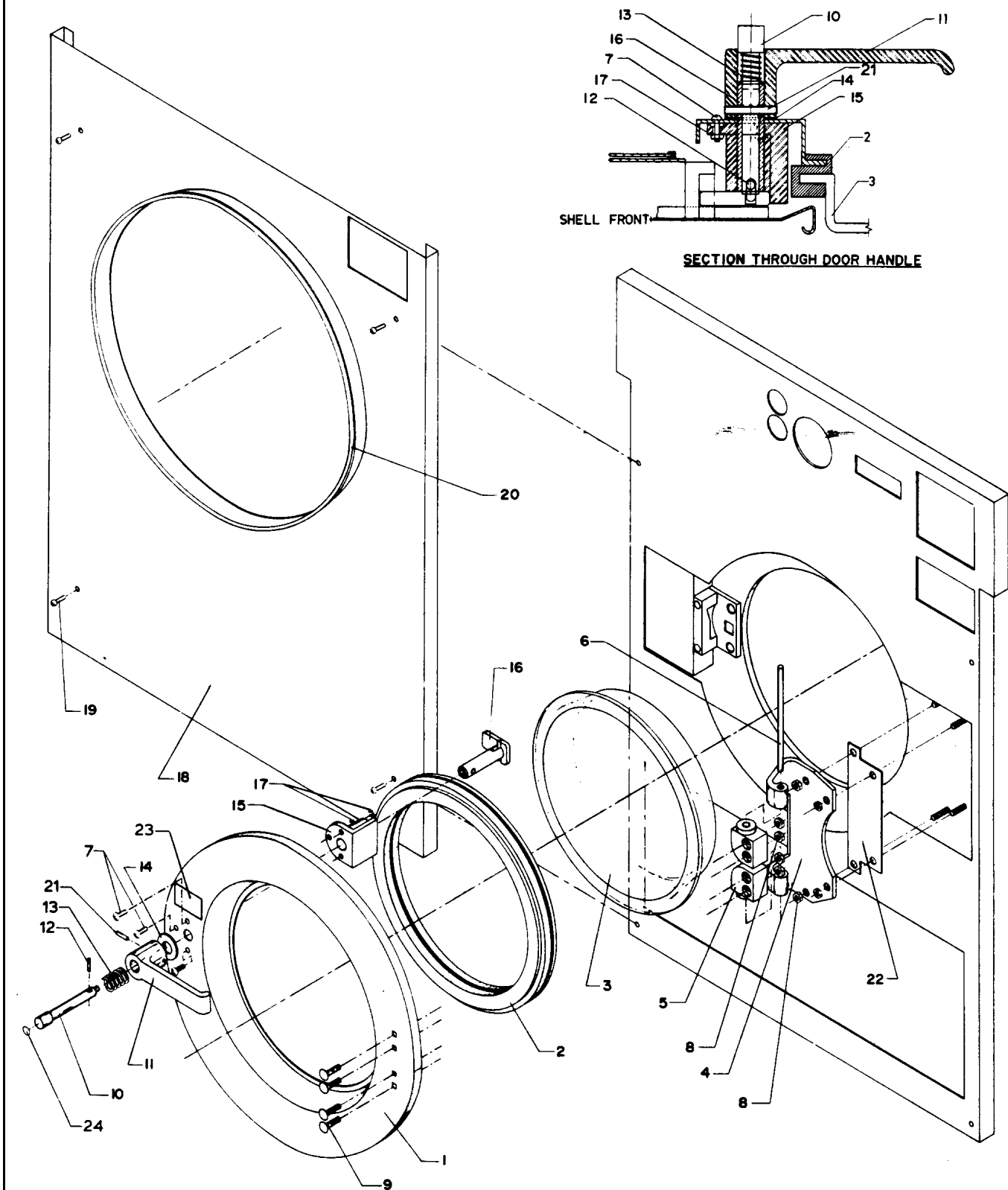
Section: FINAL ASSEMBLY (MAF35MC4V*)

No.	Part No.	Description	Series Qty
1	24001170	PANEL KIT, VALVE	1
-	24001676	HINGE, TOP COVER Note: (NOTE: 18003069 AFTER SERIAL NUMBER)	2
2	24001300	HINGE (TAKE APART) Note: (PREV. PART #602784 NOTE: USE 18003070 BEFORE SERIAL NUMBER)	2
3	24001301	SCREW (8-18 X 3/8")	24
4	24001323	SCREW (1/4-20 X 1/2")	8
5	24001403	KIT, PANEL (REAR)	1
6	24001162	PANEL KIT, SIDE (RT.)18 Note: (AS VIEWED FROM FRONT)	1
7	24001678	PANEL, FRONT (INR)	1
8	24001550	TRIM, PANEL (INNER FRONT)	2
9	24001679	DECAL, CYCLE INDICATOR	1
10	24001680	GLASS, TIMER	1
11	24001681	LIGHT, INDICATOR (RED 110V)	1
12	24001682	LIGHT, INDOCATOR (AMBER 110V)	1
13	24001684	DECAL, MAYTAG	1
14	24001533	RIVET, POP S.S. (1/8" X 1/4")	6
15 N	24001059	PANEL, CONTROL	1
-	24002036	DECAL, CONTROL PANEL (MAF-MC)	1
16	24001157	PANEL KIT, SIDE (LT.)35	1
17	24001539	BRACKET, SOAP DISPENSER	2
18	24001540	RIVET, BLIND S.S. (1/8 X 5/16)	4
19	-----	NOT REQUIRED PART OR SEE NOTE Note: PART NUMBER NOT AVAILABLE	1
20	24001671	NAMEPLATE	1
21	24001510	NUT, S.S. (1/4"-20)	3
22	24001295	LOCKWASHER	3
23	24001219	COVER, SOAP DSPNSR	1
24	24001542	CLAMP, SOAP DISPENSER	1
25	24001168	COVER ASSY KIT, TOP Note: KIT ASSY., TOP COVER	1
26	24001220	LOCK, TOP COVER	1
27	24001221	LATCH, TOP COVER	1
28	24001690	BRACE, TOP	1
29	24001240	CAPACITOR (10MF)	1
29	24001241	CAPACITOR W/RES. (130MF)	1
29	24001242	CAPACITOR (160MF)	1
29	24001237	CAPACITOR (50MF)	1
30	24001303	SCREW (1/4-20 X 1-1/4")	8
31	24001674	BRACKET, CAPACITOR	1
32	24001305	NUT, FIBERLOCK (1/4)	17
33	24001425	NUT, FIBERLOCK, PLTD (6-32)	1
34	-----	NOT REQUIRED PART OR SEE NOTE Note: PART NUMBER NOT AVAILABLE	1

*Color Code (-)=Not Shown #=Series, Serial Prefix or Run No., N=Not Available

Section: DOOR & RELATED PARTS (MAF35MC4V*)

Model: MAF35MC4VL



721137

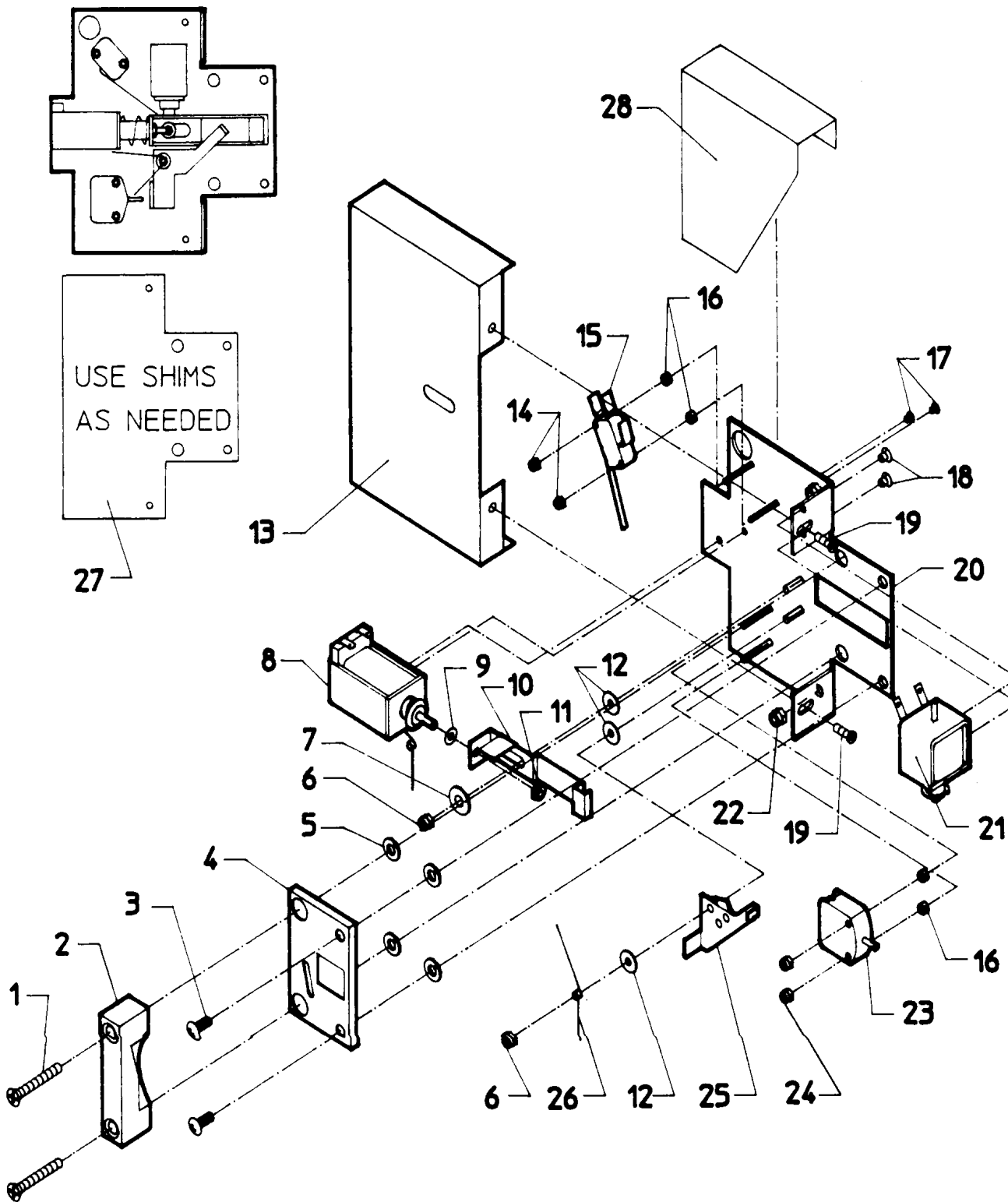
Section: DOOR & RELATED PARTS (MAF35MC4V*)

No.	Part No.	Description	Series Qty
1	24001719	DOOR	1
-	24001556	DOOR ASSY.	1
2	24001075	GASKET, DOOR	1
3	24001099	GLASS, DOOR	1
4	24001333	HINGE, DOOR	1
5	24001334	MOUNT, DOOR	2
6	-----	NOT REQUIRED PART OR SEE NOTE Note: PART NUMBER NOT AVAILABLE	1
7	24001341	SCREW (8-32X 5/8")	3
8	24001305	NUT, FIBERLOCK (1/4)	8
9	24001467	SCREW, S.S. (1/4 - 20 X 7/8)	4
10	24001103	ROD, PUSH BUTTON	1
11	24001336	HANDLE, DOOR	1
12	24001721	PIN, SPRING	1
13	24001338	SPRING, DOOR LOCK	1
14	24001310	SCREW (5/16-18 X 5/8")	1
15	24001340	SPACER, DOOR HANDLE	1
16	24001343	ARM, LATCH	1
17	24001342	NUT, LOCK (8-32)	3
19	24001474	SCREW, S.S. (#8-32 X 3/8 PL)	4
20	24001722	TRIM, OUTER FRONT PANEL	1
21	24001827	PIN, SPRING (STLS)	1
23	24001462	DECAL, PUSH BUTTON RED	1
24	24001407	DECAL	1

*Color Code (-)=Not Shown #=Series, Serial Prefix or Run No., N=Not Available

Section: DOOR SAFETY INTERLOCK (MAF35MC4V*)

Model: MAF35MC4VL



Section: DOOR SAFETY INTERLOCK (MAF35MC4V*)

No.	Part No.	Description	Series Qty
1	24001642	SCREW, S.S. (1/4-20 X 1 1/2")	2
2	24001483	CATCH, DOOR LOCK	1
3	24001323	SCREW (1/4-20 X 1/2")	4
4	24001484	COVER, DOOR LOCK PLATE	1
5	24001295	LOCKWASHER	2
6	24001342	NUT, LOCK (8-32)	2
7	24001485	WASHER, SHOULDER (TEFLON)	1
8	24001101	SOLENOID, DOOR REL (110/220V)	1
9	24001358	WASHER, FLAT (#10)	1
10	24001250	BUTTON, PUSH (STOP)	1
11	24001481	NUT, FIBERLOCK PLTD (#10-32)	1
12	24001480	WASHER, TEFLON (#8)	3
13	24001487	COVER, DOOR LOCK ASSY.	1
14	24001476	NUT, FIBERLOCK (#4-40)	2
15	24001229	SWITCH, DOOR LOCK	1
16	24001477	SPACER, NYLON (#6)	4
17	24001643	SCREW, S.S. (6 X 3/16")	2
18	24001479	SCREW, S.S. (#8-32 X 3/16)	2
19	24001301	SCREW (8-18 X 3/8")	2
20	N 24001644	DOOR LOCK PLATE Note: PLATE, DOOR LOCK	1
21	24001102	SOLENOID, DOOR LCK (110/220V)	1
22	24001305	NUT, FIBERLOCK (1/4)	2
23	24001255	SWITCH, DOOR HANDLE	1
24	24001736	PIN, LOCKING	2
25	24001230	LEVER, DOOR LOCK	1
26	24001293	SPRING, TORSION	1
27	24001559	SHIM, DOOR LOCK Note: (USE AS NEEDED)	1
28	24001488	SHIELD, SPLASH (DOOR LOCK)	1
-	24001640	DOOR LOCK COMPLETE (MC 110V)	1

*Color Code (-)=Not Shown #=Series, Serial Prefix or Run No., N=Not Available

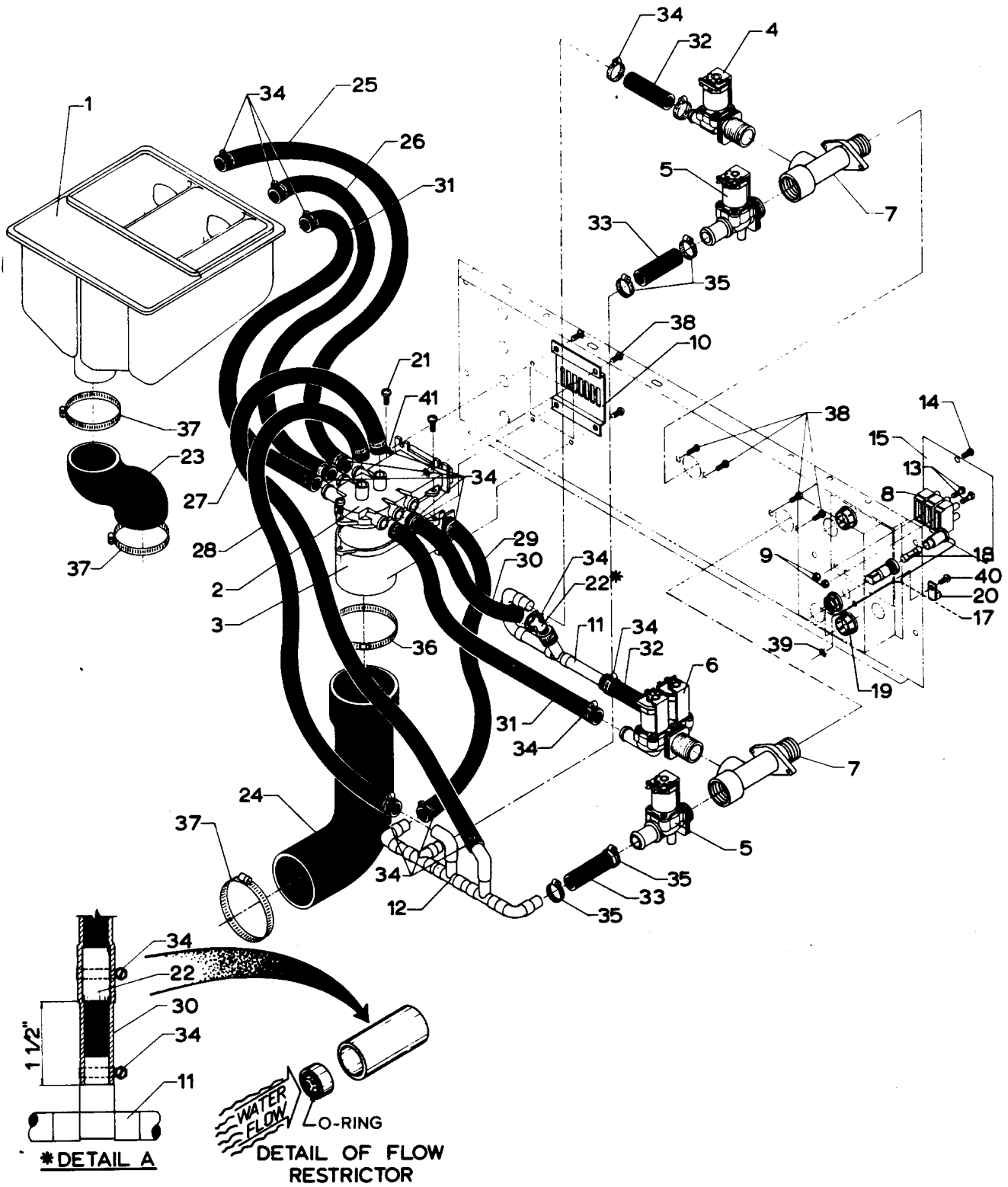
Section: COIN METER (MAF35MC4V*)

No.	Part No.	Description	Series	Qty
1	N 24002034	COIN METER, HANKE (DIGITAL)		1
1	24001256	METER ASSY, DIG. CN		1
2	24001831	COIN COUNTING BOARD(W/LED DIS)		1
3	24001355	POWER SUPPLY (120V)		1
4	24002035	HARNESS, LED		1
5	24001073	COIL, BLOCKING (CN-MTR.110V)		1
6	24001833	SENSOR, COIN (MC MODELS)		1
7	24001363	KIT, TERMINAL STRIP		1
8	24001109	FILTER, RC-NTWK.		1
9	24001030	DECAL,INSUL.TERM STIRP (33-40)		1

*Color Code (-)=Not Shown #=Series, Serial Prefix or Run No., N=Not Available

Section: SOAP DISPENSER (MAF35MC4V*)

Model: MAF35MC4VL



721151

Section: SOAP DISPENSER (MAF35MC4V*)

No.	Part No.	Description	Series Qty
1	24001627	DISPENSER, SUPPLY (COIN)	1
2	24001031	BREAKER, VAC. (TOP)	1
3	24001032	BREAKER, VAC. (BTM)	1
4	24001119	VALVE-1WAY (10MM)(110-127V)	1
5	-----	NOT REQUIRED PART OR SEE NOTE Note: PART NUMBER NOT AVAILABLE	0
6	-----	NOT REQUIRED PART OR SEE NOTE Note: PART NUMBER NOT AVAILABLE	0
7	24001448	SEAL (W110-012)	4
8	24001629	BLOCK, INPUT POWER (3 WIRE)	1
8	24001366	BLOCK, INPU & POWER (4 TERM)	1
9	24001425	NUT, FIBERLOCK, PLTD (6-32)	2
10	24001426	COVER, VACUUM BREAKER	1
11	24001777	MANIFOLD, SUPPLY	1
12	-----	NOT REQUIRED PART OR SEE NOTE Note: PART NUMBER NOT AVAILABLE	0
13	24001430	SCREW, S.S (6-32 X 1)	2
14	24001301	SCREW (8-18 X 3/8")	1
15	24001429	COVER, JUNCTION BOX	1
16	-----	NOT REQUIRED PART OR SEE NOTE Note: PART NUMBER NOT AVAILABLE	0
17	24001433	HOLDER, FUSE	1
18	24001225	FUSE, CONTROL (2AMP)	1
19	24001436	GROMMET, BUSHING	2
20	24001434	CONNECTOR, GROUND	1
21	24001432	SCREW, S.S. (#8-32 X 3/8)	5
22	24001775	FLOW RESTRICTOR ASSY.	1
23	24001442	HOSE, SOAP DISPENSER	1
24	24001033	HOSE, VACUUM BREAKER	1
25	24001781	HOSE	1
26	24001783	HOSE	1
27	-----	NOT REQUIRED PART OR SEE NOTE Note: PART NOT USED	0
28	24001767	HOSE	1
29	24001788	HOSE	1
30	24001771	HOSE	1
31	24001792	HOSE	2
32	24001794	HOSE	2
33	24001794	HOSE	2
34	24001423	CLAMP, HOSE (#8)	21
35	24001797	CLAMP (SIZE 24)	4
36	24001282	CLAMP, HOSE (#48)	1
37	24001353	CLAMP, HOSE (#40)	3
38	24001414	SCREW, S.S. (#6-32 X 1/2 PLTD)	10
39	24001342	NUT, LOCK (8-32)	1
40	24001432	SCREW, S.S. (#8-32 X 3/8)	1
41	24001425	NUT, FIBERLOCK, PLTD (6-32)	8

*Color Code (-)=Not Shown #=Series, Serial Prefix or Run No., N=Not Available

Section: WATER VALVE (MAF35MC4V*)

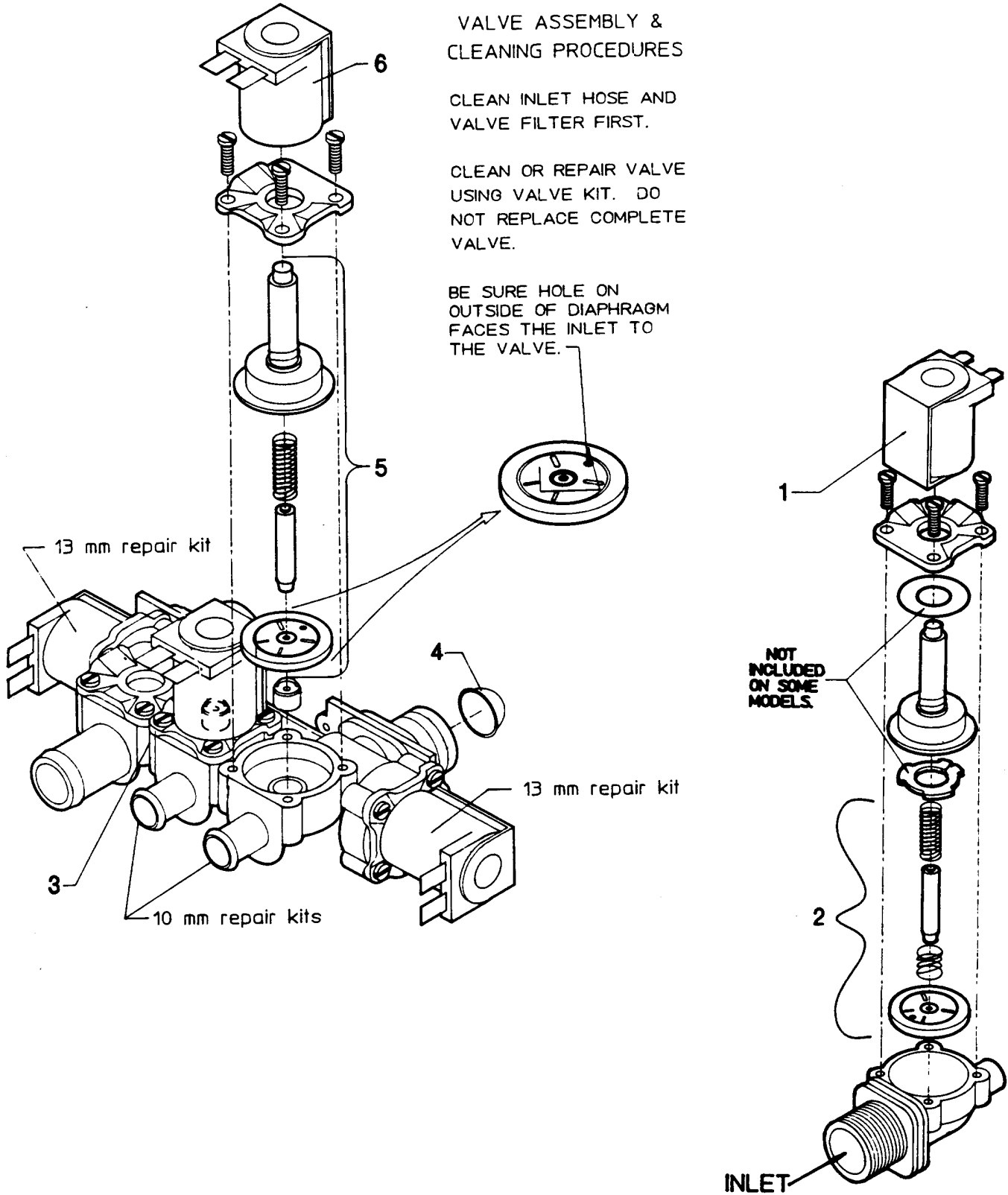
Model: MAF35MC4VL

VALVE ASSEMBLY & CLEANING PROCEDURES

CLEAN INLET HOSE AND VALVE FILTER FIRST.

CLEAN OR REPAIR VALVE USING VALVE KIT. DO NOT REPLACE COMPLETE VALVE.

BE SURE HOLE ON OUTSIDE OF DIAPHRAGM FACES THE INLET TO THE VALVE.



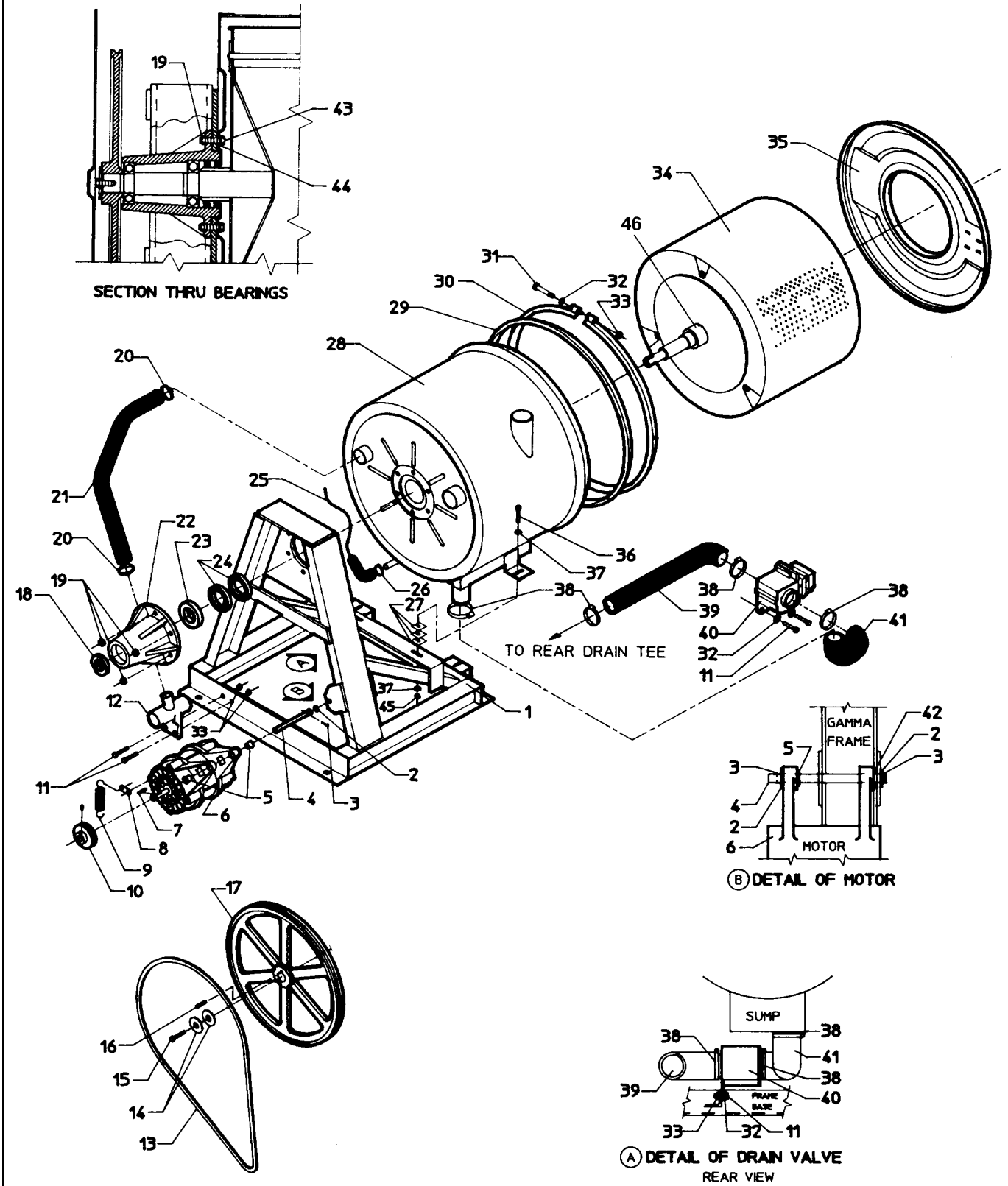
Section: WATER VALVE (MAF35MC4V*)

No.	Part No.	Description	Series Qty
-	24001120	VALVE-1WAY (13MM)(110-127V)	1
-	24001119	VALVE-1WAY (10MM)(110-127V)	1
1	24001232	COIL, WATER VALVE	1
2	24001122	KIT, VALVE REPAIR (13MM)	1
2	24001121	KIT, VALVE REPAIR (10MM)	1
3	24001226	VALVE, MIXING (3 WAY)	1
-	24001448	SEAL (W110-012)	2
-	24001549	FILTER, MESH (11MM US THREAD)	2
4	24001634	SCREEN, VALVE	2
5	24001231	KIT, DIAPHRAM (SHORT) Note: KIT, REPAIR (10MM) (FOR USE IN MIXING VALVE MODELS ONLY)	2
5	24001122	KIT, VALVE REPAIR (13MM) Note: KIT, REPAIR (13MM)	2
6	24001232	COIL, WATER VALVE	1

*Color Code (-)=Not Shown #=Series, Serial Prefix or Run No., N=Not Available

Section: SUB ASSEMBLY (MAF35MC4V*)

Model: MAF35MC4VL



721129

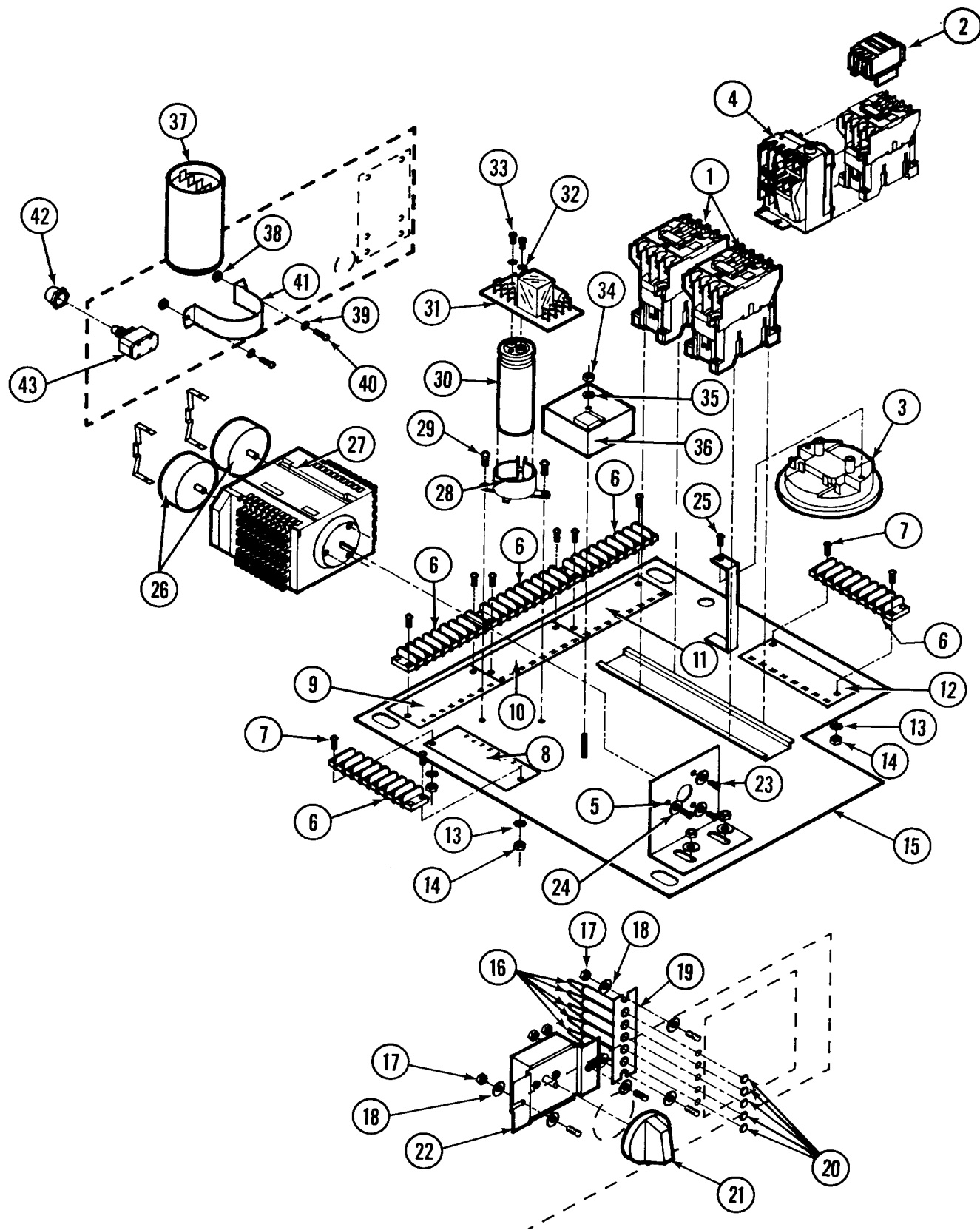
Section: SUB ASSEMBLY (MAF35MC4V*)

No.	Part No.	Description	Series Qty
1	24001371	KIT ASSY., FRAME (2 SPEED)	1
2	24001511	WASHER, HARDENED (PLTD. 5/8)	2
3	24001512	PIN, COTTER PLTD. (1/8X1 1/2)	2
4	24001802	SUPPORT ROD, MOTOR	1
5	24001021	BUSHING, MOTOR (UC/UW)	2
6	24001083	MOTOR,2SP (208-240/60/3)	1
-	24001017	BEARING, 6205-2RS	2
7	24001648	KEY (MOTOR 3/16" X 1 1/2")	1
8	24001651	CLIP, MOTOR SPRING	1
9	24001650	SPRING (BELT TENSION)	1
10	24002042	PULLEY, MOTOR	1
11	24001502	SCREW (1/4"-20 X 3/4")	4
12	24001826	CONNECTION, TEE-DRAIN	1
13	24001095	BELT, V (3V-830)	1
14	24001501	WASHER, S.S.	2
15	24001500	SCREW, S.S. (3/8"-16X1)	1
16	24001499	KEY (3/8" X 1 1/4")	1
17	-----	NOT REQUIRED PART OR SEE NOTE	0
18	24002048	BEARING, 6308-2RS	1
19	24001495	NUT, FIBERLOCK (9/16"-12)	6
19	24001563	NUT, FIBERLOCK	6
20	24001283	CLAMP, HOSE (#28)	2
21	24001506	HOSE, OVERFLOW	1
22	24001260	KIT, TRUNNION (2SP)	1
23	24002048	BEARING, 6308-2RS	1
24	24001020	SEAL, SHAFT (130MM)	2
25	24001661	AIR TRAP Note: HOSE, AIR DOME	1
26	24001438	CLAMP, HOSE (#10)	1
27	24001803	SHIM, SHELL	3
28	24001377	KIT, SHIELD RETRO	1
29	24001184	GASKET KIT (FRONT SHELL)	1
30	24001389	KIT, BAND SHELL	1
31	24001215	KIT, BAND FASTENER	1
32	24001215	KIT, BAND FASTENER	3
33	24001215	KIT, BAND FASTENER	7
34	24001804	BASKET	1
35	24001385	KIT, FRONT SHELL	1
36	24001657	BOLT (S.S. 3/8-16 X 1 1/2")	2
37	24001516	WASHER, FLAT PLTD. (3/8")	4
38	24001353	CLAMP, HOSE (#40)	4
39	24001660	HOSE, DRAIN (REAR)	1
40	24001116	VALVE, DRAIN (2" 110V,60HZ)	1
41	24001565	HOSE, DRAIN (FRONT)	1
42	24001805	TRIM, FRONT PANEL	1
43	24001807	BOLT, S.S.	6
43	24001497	BOLT, S.S. (9/16-12 X 2 1/2)	6
44	24001810	WASHER, FLAT	6
44	24001809	WASHER, FLAT	3
45	24001515	NUT, FIBERLOCK PLTD. (3/8-16)	2
46	24001271	COLLAR (2SP)	1

*Color Code (-)=Not Shown #=Series, Serial Prefix or Run No., N=Not Available

Section: CONTROL MODULE (MAF35MC4V*)

Model: MAF35MC4VL



CW11-31

Section: CONTROL MODULE (MAF35MC4V*)

No.	Part No.	Description	Series Qty
1	24001105	CONTACTOR (120V)	1
2	24001104	CONTACTOR, AUX. ADDER	1
3	24001223	SWITCH, TRI LEVEL	1
4	24001233	PROTECTOR, OVERLOAD	1
5	-----	NOT REQUIRED PART OR SEE NOTE Note: PART NUMBER NOT AVAILABLE	1
6	24001412	TERMINAL STRIP	5
7	24001414	SCREW, S.S. (#6-32 X 1/2 PLTD)	10
8	N 24001026	DECAL,INSUL. TERM STRIP (1-8)	1
9	N 24001027	DECAL,INSUL. TERM STRIP (9-16)	1
10	N 24001028	DECAL,INSUL. TERM STRIP (17-24)	1
11	N 24001029	DECAL,INSUL. TERM STRIP (25-32)	1
12	24001030	DECAL,INSUL. TERM STRIP (33-40)	1
13	24001415	WASHER, S.S. (#6 EXT. TOOTH)	14
14	24001417	NUT, BRASS (#6-32)	1
15	-----	NOT REQUIRED PART OR SEE NOTE Note: PART NUMBER NOT AVAILABLE	1
16	24001209	LIGHT, NEON (1/3W, 125VAC)	5
17	24001342	NUT, LOCK (8-32)	5
18	24001576	WASHER, FLAT (PLATED)	5
19	24001214	BRACKET, MOUNTING Note: BRACKET, IND. LIGHT (5 LIGHTS)	1
19	24001841	BRACKET, IND. LIGHT (4 LIGHTS)	1
20	24001210	LENS, AMBER (LEXAN SHORT)	5
21	24001204	KNOB	1
22	24001207	SWITCH, CYCLE SELECT (ROTARY)	1
23	24001357	SCREW	3
24	24001358	WASHER, FLAT (#10)	3
25	24001411	SCREW, S.S. (6-32 X 3/8 PLTD)	1
26	24001577	MOTOR, TIMER (110V 60HZ)	2
27	24001178	CYCLE KIT, TIMER (120V)	1
28	-----	NOT REQUIRED PART OR SEE NOTE Note: PART NUMBER NOT AVAILABLE	1
29	24001578	SCREW, S.S. (6-32 X 1/4")	2
30	24001247	CAPACITOR, DOOR LOCK	1
31	24001248	PC BOARD, DOOR LOCK	1
32	24001579	WASHER, S.S. (#10 LOCK EXT.)	2
33	24001580	SCREW, S.S. (#10-32 X 3/8")	2
34	24001419	NUT, PLTD (1/4-#20 HEX)	1
35	24001295	LOCKWASHER	1
36	24001176	RELAY, TIME OFF DELAY	1
37	24001235	KIT, SWITCH (ELMO MOTORS)	1
38	24001425	NUT, FIBERLOCK, PLTD (6-32)	2
39	24001576	WASHER, FLAT (PLATED)	2
40	24001593	SCREW	2
41	24001594	BRACKET, SINPAC SWITCH	1
42	24001744	BOOT, PUSH BUTTON	1
43	24001254	SWITCH, MOMENTARY	1
-	24001245	FUSE, SLO BLO (1AMP)	1

*Color Code (-)=Not Shown #=Series, Serial Prefix or Run No., N=Not Available

