

NOTES TO USE PARTS LIST

ACLARACIONES PARA EL USO DEL DESPIECE

NOTES UTILISATION VUES ECLATEES

Sheets no. 1, 2, 3, 4, 5, 6, 7 & 8:
Are common for all versions.

Las hojas nº1, 2, 3, 4, 5, 6, 7 y 8:
Son comunes a todas las variantes.

Les feuilles no.1, 2, 3, 4, 5, 6, 7 et 8:
Sont communes à toutes les versions.

Sheet no. 9:
The bottom just refers to three water inlets machines.

La hoja nº 9:
La parte inferior es sólo para las máquinas con tres entradas de agua.

La feuille no. 9:
La partie inférieure est seulement pour les machines à trois arrivées d'eau.

Sheet no. 10:
Relates to electrical heated machines.

La hoja nº 10:
Corresponde a las máquinas con calefacción eléctrica.

La feuille no. 10:
Correspond aux machines à chauffage électrique.

Sheet no. 11:
Relates to steam heated machines.

La hoja nº 11:
Corresponde a las máquinas con calefacción a vapor.

La feuille no. 11:
Correspond aux machines à chauffage à vapeur.

Sheet no. 12, 13 & 14:
Relate to "TILT" system machines only.

La hoja nº 12, 13 y 14:
Son sólo para las máquinas con sistema "VOLQUETE"

La feuille no. 12, 13 et 14:
Sont seulement pour machines avec système "BASCULANT"

Sheet no. 15:
Relates to machines equipped with second drain.

La hoja nº 15:
Corresponde a las máquinas con segundo desagüe.

La feuille no. 15:
Correspond à machines avec deuxième vidange.

VERY IMPORTANT:
Before ordering parts be sure they have not been modified. Check it on modification sheet, after the corresponding sheet.

MUY IMPORTANTE:
Al pedir una pieza cerciorarse antes de que la misma no ha sido modificada. Si lo hubiese sido, estaria situada como hoja de modificaciones, detrás de la hoja correspondiente.

TRES IMPORTANT:
Avant de commander une pièce, s'assurer qu'elle n'a pas été modifiée. Le verifier sur feuille de modifications, derrière la feuille correspondante.

From
A partir
A partir

860001

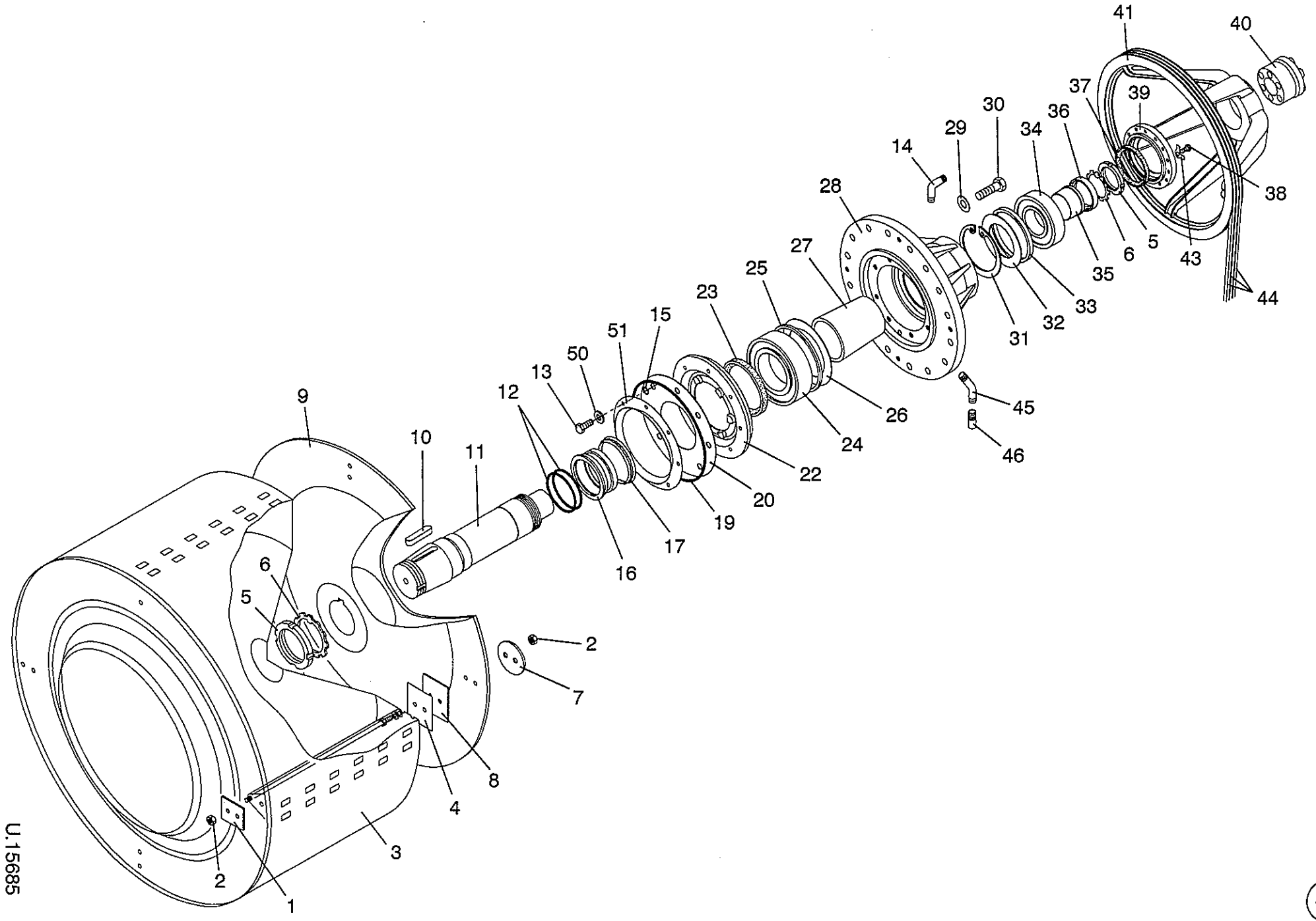
To
Hasta
Jusqu'à

.....

HS - 4055

Cod. nº 406969 A

Rev. nº 00/1201

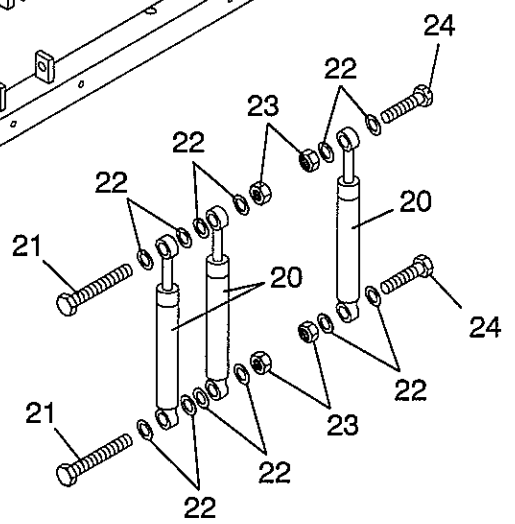
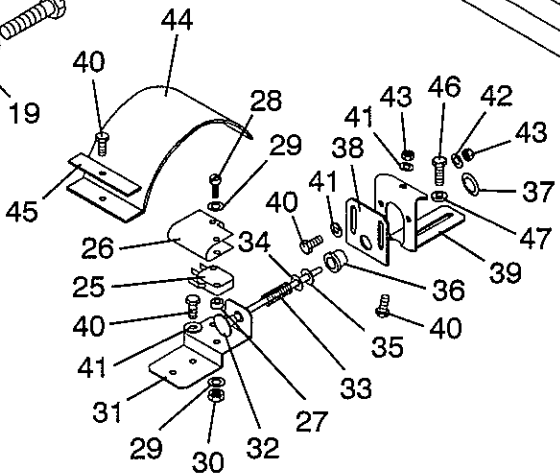
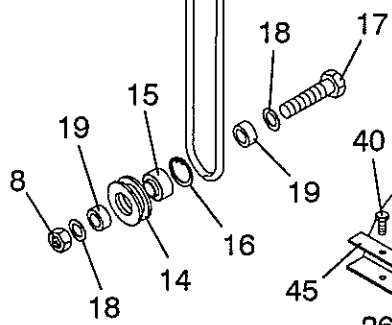
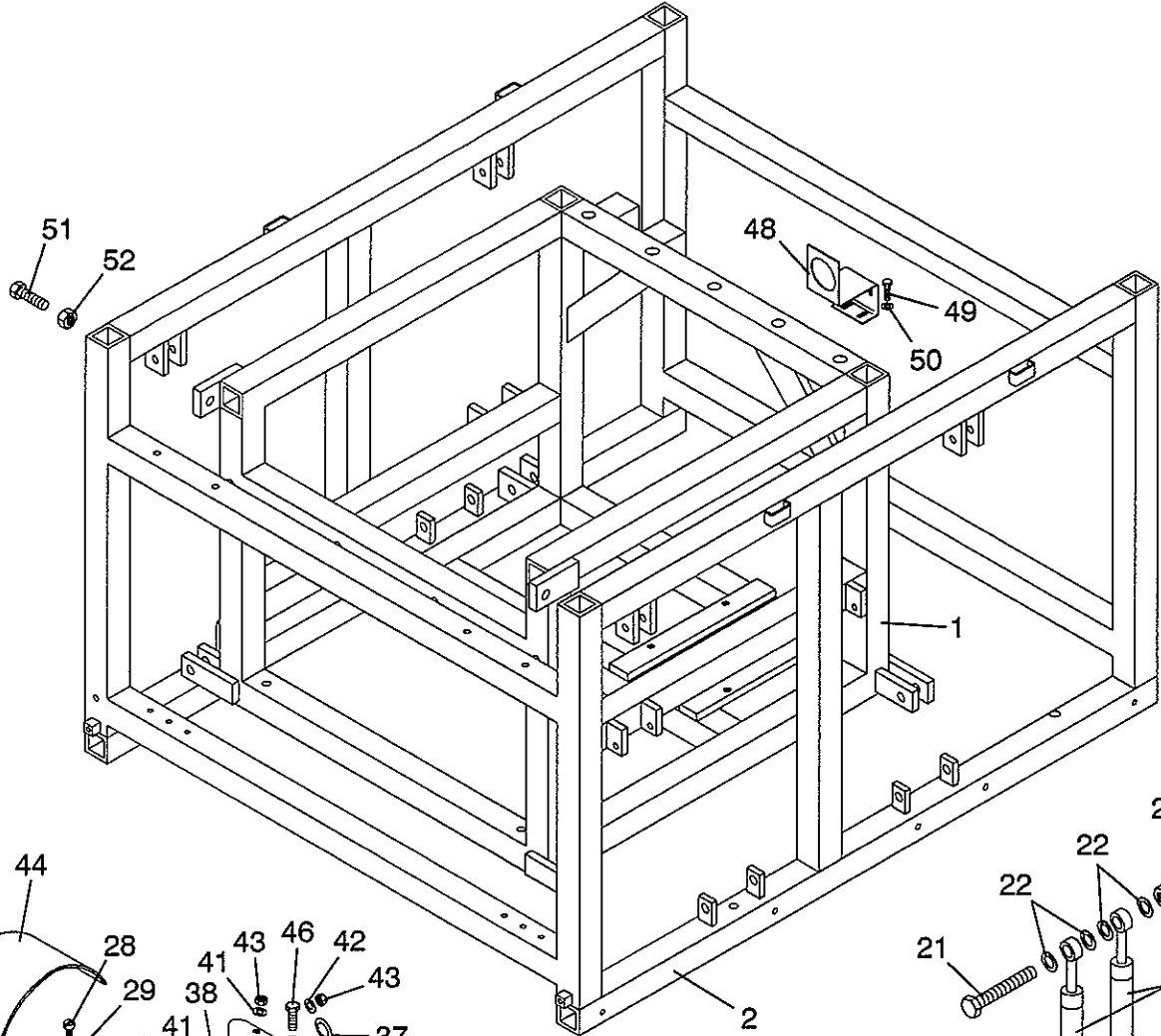
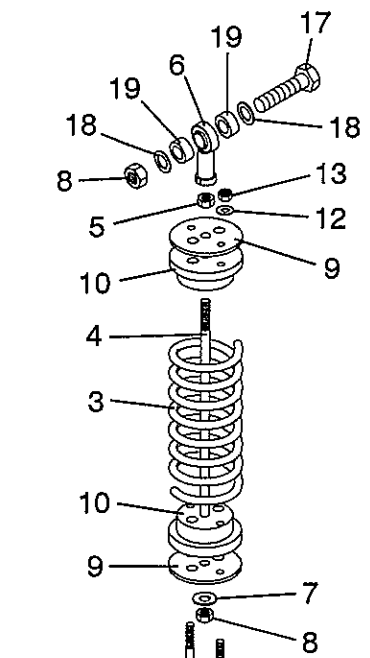


U.15685

HS-4055

| N° | REF. | DENOMINATION | DENOMINACIÓN | DÉNOMINATION |
|----|----------|--------------------------------|--------------------------------|--------------------------------|
| 1 | 243071 | BASKET SHOVEL RENFORT | REFUERZO PALA TAMBOR | REFORT PALETTE TAMBOUR |
| 2 | 149997 | INOX HEX NUT DIN 934 M-16 | TUER.EX.DIN934 INOX A2-70 M16 | ECROU HEX.INOX DIN 934 M-16 |
| 3 | 243089 * | BASKET BODY | CUERPO TAMBOR | CORPS TAMBOUR |
| 4 | 213710 | BASKET CENTERING PIECE | PIEZA CENTRADO TAMBOR | PIECE CENTRAGE TAMBOUR |
| 5 | 163725 | FIXING NUT KM-25 | TUERCA FIJACION KM-25 FAG | ECROU FIXATION KM-25 |
| 6 | 163709 | LOCKING WASHER | ARANDELA DE CIERRE | RONDELLE DE FERMETURE |
| 7 | 289694 | BASKET COUPLING WASHER | ARANDELA PLATO TAMBOR | RONDELLE PLAT TAMBOUR |
| 8 | 213728 | BASKET CENTERING PIECE | PIEZA CENTRADO TAMBOR | PIECE CENTRAGE TAMBOUR |
| 9 | 243139 | BASKET COUPLING | ACOPLAMIENTO TAMBOR | ASSAMBLAGE TAMBOUR |
| 10 | 174748 | PIN DIN 6885-A 90X36X20 | CHAVETA DIN 6885-A 90X36X20 | CLAVETTE DIN 6885-A 90X36X20 |
| 11 | 243063 | BASKET SHAFT | EJE TAMBOR | PALIER TAMBOUR |
| 12 | 174425 | TORIC GASKET 130X142X6 RE.3769 | JUNTA TORICA 130X142X6 REF3769 | JOINT TORIQUE 130X142X6RE.3769 |
| 13 | 175687 | INOX HEX SCREW DIN 933 M-10X60 | TOR.EX.DIN933INOX A2-70 M10X60 | VIS HEX.INOX DIN 933 M-10X60 |
| 14 | 122531 | HOSE ELBOW 5/8" RE. 46610 | CODO MANGUERA 5/8"REF.46610 | COUDE TUYAU 5/8" RE. 46610 |
| 15 | 147991 | TORIC GASKET 10X23X6,5 | JUNTA TORICA 10X23X6,5 | JOINT TORIQUE 10X23X6,5 |
| 16 | 249128 | SEAL RING | ANILLO RETENES | BAGUE RESERVES |
| 17 | 174391 | RING V-RING V-170 S VITON | ANILLO V-RING V-170 S VITON | BAGUE V-RING V-170 S VITON |
| 19 | 174417 | TORIC GASKET 355X369X7 RE.3810 | JUNTA TORICA 355X369X7 REF3810 | JOINT TORIQUE 355X369X7RE.3810 |
| 20 | 250159 | SEAL COVER | TAPA RETEN | COUVERCLE RESERVE |
| 22 | 250142 | FRONT SEAL COVER | TAPA RETEN ANTERIOR | COUVERCLE RESERVE AVANT |
| 23 | 174433 | SEAL 170X200X15 BA | RETEN 170X200X15 BA | RESERVE 170X200X15 BA |
| 24 | 174334 | BEARING NU-326 E | RODAMIENTO NU 326 ECP | ROULEMENT NU-326 E |
| 25 | 174375 | GUIDE RING FRA 10/280 | ANILLO DE GUIA FRB 10/280 | BAGUE DE GUIDE FRA 10/280 |
| 26 | 221846 | GREASE OBTURATION PLATE | PLACA OBTURACION GRASA | PLAQUE OBTURATION GRAISSE |
| 27 | 221861 | BEARING END PIECE | TOPE COJINETES | ARRET ROULEMENTS |
| 28 | 266973 | BEARING BOX | CAJA COJINETES | BOITE ROULEMENTS |
| 29 | 149393 | BICR WASHER B DIN125-ST 15 | ARAN.B DIN125-ST B.TRI.15 | RONDELLE B BICR DIN125-ST 15 |
| 30 | 176172 | HEX SCREW 8G DIN 933 M-14X55 | TOR.EX.DIN933-8.8 B.TRI.M14X55 | VIS HEX. 8G DIN 933 M-14X55 |
| 31 | 174409 | FLEXIBLE RING I-200 DIN 472 | ANILLO ELASTICO I-200 DIN 472 | BAGUE ELASTIQUE I-200 DIN 472 |
| 32 | 221812 | GREASE OBTURATION PLATE | PLACA OBTURACION GRASA | PLAQUE OBTURATION GRAISSE |

| N° | REF. | DENOMINATION | DENOMINACIÓN | DÉNOMINATION |
|----|--------|-------------------------------|--------------------------------|---------------------------------|
| 33 | 174367 | GUIDE RING FRA 10/200 | ANILLO DE GUIA FRB 10/200 | BAGUE DE GUIDE FRA 10/200 |
| 34 | 174342 | BEARING 23026 CK | RODAMIENTO 23026 CCK/W33 | ROULEMENT 23026 CK |
| 35 | 174359 | DISASSEMBLY SLEEVE AHX-3026 | MANGUITO DESMONTAJE AHX-3026 | MANCHON DEMONTAGE AHK-3026 |
| 36 | 221879 | SEAL RING | ANILLO RETEN | BAGUE RESERVE |
| 37 | 147538 | SEAL 150X180X15 BA | RETEN 150X180X15 BA | RESERVE 150X180X15 BA |
| 38 | 192385 | BICR.HEX.SCREW DIN933-8 M6X35 | TOR.EX.DIN933-8.8 BICR.M 6X 35 | VIS.HEX.DIN933-8,8 BICR.M6X35 |
| 39 | 266932 | REAR SEAL COVER | TAPA RETEN POSTERIOR | COUVERCLE RESERVE ARRIERE |
| 40 | 182667 | SELF CENTERING FIXING UNIT 5B | UNIDAD FIJ.AUTOCENT.5B 90X130 | UNITE FIXATION SELF CENTRAGE 5B |
| 41 | 408872 | BASKET PULLEY | POLEA TAMBOR | POULIE TAMBOUR |
| 43 | 195735 | SAFETY WASHER 6,4 DIN 463 | ARANDELA SEGURIDAD 6,4 DIN 463 | RONDELLE SECURITE 6,4 DIN 463 |
| 44 | 315671 | TRAPEZOIDAL BELT SPA-2932 | CORREA TRAPEZOIDAL SPA-2932 | COURROIE TRAPEZOIDALE SPA-2932 |
| 45 | 174474 | FIG. 40 1/2" GALV. | FIGURA 40 DE 1/2" GALV. | FIG. 40 1/2" GALV. |
| 46 | 200063 | BEARING CASE DRAIN | DESAGUE CAJA COJINETES | VIDANGE BOITE ROULEMENTS |
| 50 | 254144 | WASHER D35XD10X6 | ARANDELA 35X10,25X6 | RONDELLE D35XD10X6 |
| 51 | 250167 | PROTECTION V-RING | PROTECCION V-RING | PROTECTION V-RING |



U.15686

HS-4055

2

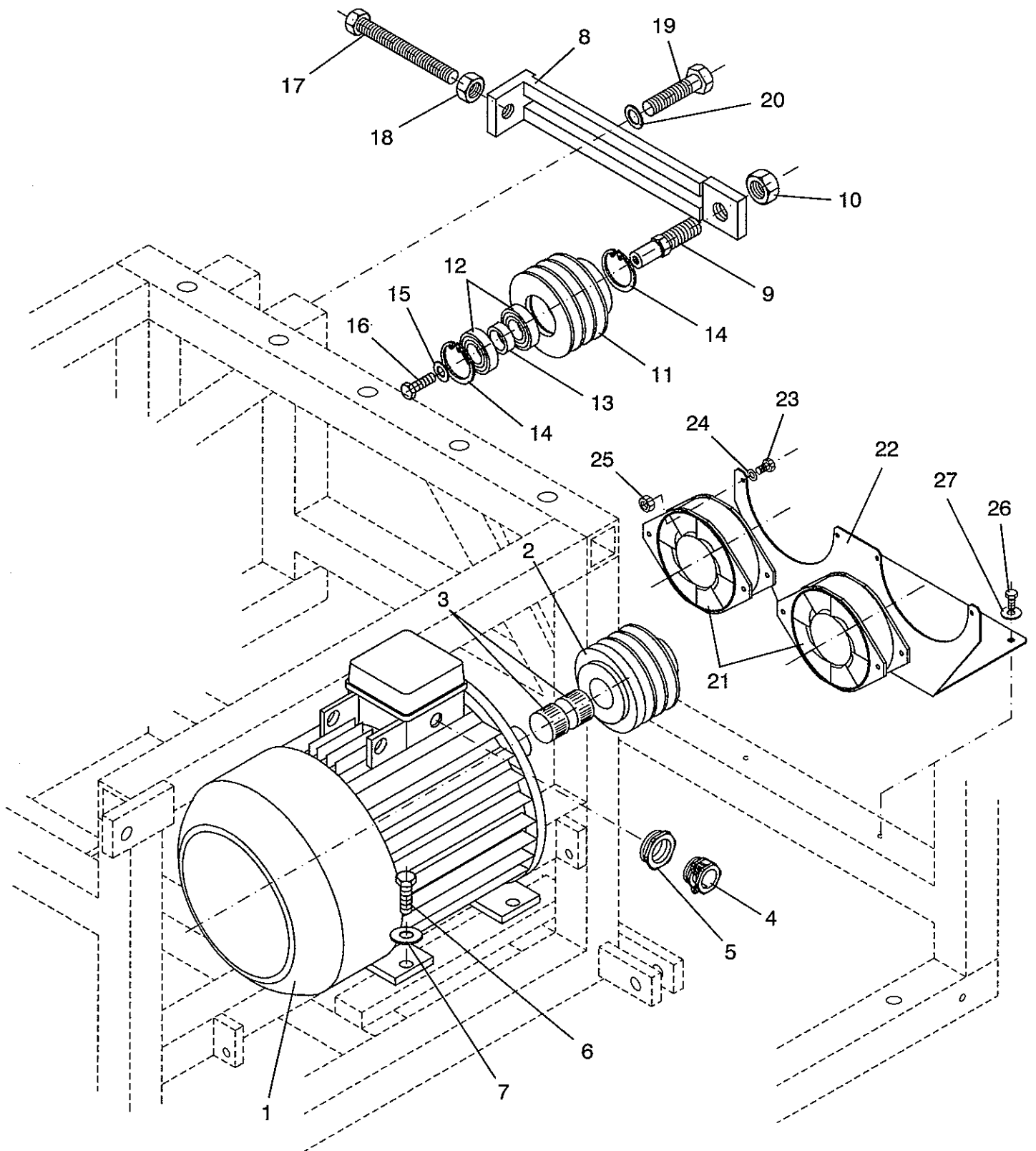
| N° | REF. | DENOMINATION | DENOMINACIÓN | DÉNOMINATION |
|----|----------|----------------------------------|--------------------------------|--|
| 1 | 408849 | SUSPENDU CHASSIS | CHASIS FLOTANTE | CHASSIS SUSPENDU |
| 2 | 276980 | FIX CHASSIS (WITHOUT TILTING) | CHASIS FIJO (SIN VOLQUETE) | CHASSIS FIXE (SANS SOCLE BASCULANT) |
| 3 | 300459 * | SUSPENSION SPRING | MUELLE SUSPENSION | RESSORT SUSPENSION |
| 4 | 278770 | SUSPENSION BAR | VARILLA SUSPENSION | BAGUETTE SUSPENSION |
| 5 | 150276 | BICR HEX.NUT DIN934-8 M-16 | TUER.EX.DIN934-8 B.TRI.M16 | ECROU HEX.DIN934-8 BICR M-16 |
| 6 | 174870 | HINGE JOINT HEAD TYPE GIR 17UK | CABEZA DE ROTULA TIPO GIR 17UK | TETE DE ROTULE TYPE GIR 17UK |
| 7 | 255992 | WASHER 36X17X5 | ARANDELA 36X17X6 | RONDELLE 36X17X5 |
| 8 | 173260 | SELF-BLOCKING NUT DIN 985 M-16 | TUER.AUTOBL.DIN985-8B.TRI.M16 | ECROU AUTOBLOCANT DIN 985 M-16 |
| 9 | 278804 | CLAMP SUPPLEMENT | SUPLEMENTO BRIDA | SUPPLEMENT BRIDE |
| 10 | 278762 | SUSPENSION CLAMP | BRIDA SUSPENSION | BRIDE SUSPENSION |
| 11 | 278788 | SUSPENSION PIECE | HORQUILLA SUSPENSION | PIECE SUSPENSION |
| 12 | 278861 | WASHER 26X12,5X6 | ARANDELA 26X12,5X6 | RONDELLE 26X12,5X6 |
| 13 | 150656 | SELFBLOCKING NUT DIN985 M-12 | TUER.AUTOB.DIN985-8 B.TRI.M12 | ECROU AUTOBLOCANT DIN985 M-12 |
| 14 | 278796 | SUSPENSION SLEEVE | CASQUILLO SUSPENSION | FRETTE SUSPENSION |
| 15 | 185728 | RADIAL HINGE JOINT TYPE GE | ROTULA RADIAL TIPO GE 17UK | ROTULE RADIAL TYPE GE 17UK |
| 16 | 185736 | RING SEEGER-V JV-30 | ANILLO SEEGER-V JV-30 | BAGUE SEEGER-V JV-30 |
| 17 | 175729 | HEX SCREW 8G DIN 931 M-16X100 | TOR.EX.DIN931-8.8B.TRI.M16X100 | VIS HEX 8G DIN 931 M-16X100 |
| 18 | 149385 | BICR.WASHER B DIN125-ST 17 | ARAN.B DIN125-ST B.TRI.17 | RONDELLE B DIN125-ST BICR.17 |
| 19 | 238055 | HINGE JOINT SEPARATOR | SEPARADOR ROTULA | SEPARATEUR ROTULE |
| 20 | 175091 | FRICITION SHOCK-ABSORBER | AMORT.FRICC.154020011336 180N | AMORTISSEUR FRICTION |
| 21 | 191858 | HEX. SCREW 8G DIN931 M10X90 | TOR.EX.DIN931-8.8 B.TRI.M10X90 | VIS HEX. 8G DIN931 M10X90 |
| 22 | 149500 | BICR.WASHER B DIN125-ST 10,5 | ARAN.B DIN125-ST B.TRI.10,5 | RONDELLE B DIN125-ST BICR.10,5 |
| 23 | 150649 | SELFBLOCKING NUT DIN 985 M-10 | TUER.AUTOB.DIN985-8 B.TRI.M10 | ECROU AUTOBLOCANT DIN 985 M-10 |
| 24 | 175745 | HEX SCREW 8G DIN 931 M-10X60 | TOR.EX.DIN931-8.8 B.TRI.M10X60 | VIS HEX 8G DIN 931 M-10X60 |
| 25 | 197046 | MINISWITCH 83161.344 I W3 | MINIRRUPTOR 83161.344 I W3 | MINIRRUPTEUR 83161.344 I W3 |
| 26 | 281113 | MICROSWITCH ISOLATION | AISLANTE MICRORRUPTOR | ISOLANT MICRORRUPTEUR |
| 27 | 175364 | PLASTIC SEPARATOR 6MM SP78/10 | SEPARADOR PLASTICO 6MM.SP78/10 | SEPARATEUR PLASTIQUE 6MM |
| 28 | 302554 | CYL.BICR.SCREW DIN84-4.8 M3X25 | TOR.CIL.DIN84-4.8 B.TRI.M 3X25 | VIS.CYL DIN84-4.8 BICR M 3X25 |
| 29 | 149484 | BICR.WASHER B DIN125-ST 3,2 | ARAN.B DIN125-ST B.TRI. 3,2 | RONDELLE B.DIN125-ST BICR. 3,2 |

| N° | REF. | DENOMINATION | DENOMINACIÓN | DÉNOMINATION |
|----|--------|--------------------------------|--------------------------------|--------------------------------|
| 30 | 149906 | INOX. HEX. NUT DIN 934 M-3 | TUER.EX.DIN934 INOX A2-70 M 3 | ECROU HEX. INOX DIN934 M-3 |
| 31 | 261784 | MICROSWITCH DRIVE BRACKET | SOPORTE ACCIONADOR MICRORRUP. | SUPPORT ACTIONNEMENT MICRORRUP |
| 32 | 189407 | MICROSWITCH DRIVE | ACCIONADOR MICRORRUPTOR | ACCIONNEMENT MICRORRUPTEUR |
| 33 | 189399 | MICROSWITCH DRIVE SPRING | MUELLE ACCIONADOR MICRORRUPTOR | RESSORT ACTIONNEMENT MICRORRUP |
| 34 | 149534 | BICR.WASHER B DIN125-ST 5,3 | ARAN.B DIN125-ST B.TRI. 5,3 | RONDELLE B BICR.DIN125-ST 5,3 |
| 35 | 147918 | QUICK FIXING 211039-6 | SUJEC.RAPIDA MIKALOR 211039-6 | FIXATION RAPIDE 211039-6 |
| 36 | 278051 | MICRO.DRIVE SLEEVE | CASQUILLO ACCIONADOR MICRO | FRETTE ACTIONNEMENT MICRO |
| 37 | 134924 | QUICK FIXING 2110441 | SUJEC.RAPIDA MIKALOR 211044-1 | FIXATION RAPIDE 2110441 |
| 38 | 278069 | MICROSWITH ACTIVATOR END-PIECE | TOPE ACCIONADOR MICRORRUPTOR | ARRET ACCIONNATEUR MICROINT. |
| 39 | 278085 | MICRO ACTIV. END-PIECE BRACKET | SOPORTE TOPE ACCIONADOR MICRO. | SUPPORT ARRET ACCIONNAT.MICRO |
| 40 | 146266 | BICR.HEX SCREW DIN933-8 M-4X15 | TOR.EX.DIN933-4.8 B.TRI.M 4X15 | VIS HEX BICR.DIN933-8.8 M-4X15 |
| 41 | 219758 | WASHER 12X4X1,5 | ARANDELA 12X4X1,5 | RONDELLE 12X4X1,5 |
| 42 | 149476 | BICR.WASHER B DIN125-ST 4,3 | ARAN.B DIN125-ST B.TRI. 4,3 | RONDELLE B DIN125-ST BICR.4,3 |
| 43 | 132043 | SELFBLOCKING NUT DIN985 M 4 | TUER.AUTOBL.DIN985-8 B.TRI.M 4 | ECROU AUTOBLOCANT DIN985 M 4 |
| 44 | 283192 | MICROSWITCH PROTECTION COVER | TAPA PROTECCION MICRORRUPTOR | COUVERCLE PROT. MICRORRUPTEUR |
| 45 | 283200 | MICRO PROTECTION FIXING-PIECE | FIJACION PROTECCION MICRO. | FIXATION PROTECTION MICRO |
| 46 | 146233 | BICR.HEX SCREW DIN933-8 M6X15 | TOR.EX.DIN933-8.8 B.TRI.M 6X15 | VIS HEX DIN933-8.8 BICR.M6X15 |
| 47 | 115733 | WASHER 16X7X3 | ARANDELA 16X7X3 | RONDELLE 16X7X3 |
| 48 | 277095 | DRAIN BRACKET | SOPORTE DESAGÚE | SUPPORT VIDANGE |
| 49 | 144964 | INOX HEX SCREW DIN 933 M-8X15 | TOR.EX.DIN933INOX A2-70 M 8X16 | VIS HEX INOX DIN 933 M-8X15 |
| 50 | 149351 | INOX A2 WASHER DIN 125 8,4 | ARAN. DIN125 INOX A2 8,4 | RONDELLE INOX A2 DIN 125 8,4 |
| 51 | 157354 | HEX SCREW 8G DIN 933 M-12X45 | TOR.EX.DIN933-8.8 B.TRI.M12X45 | VIS HEX 8G DIN 933 M-12X45 |
| 52 | 150235 | BICR.HEX NUT DIN 934-8 M-12 | TUER.EX.DIN934-8 B.TRI.M12 | ECROU HEX DIN 934-8 BICR.M-12 |

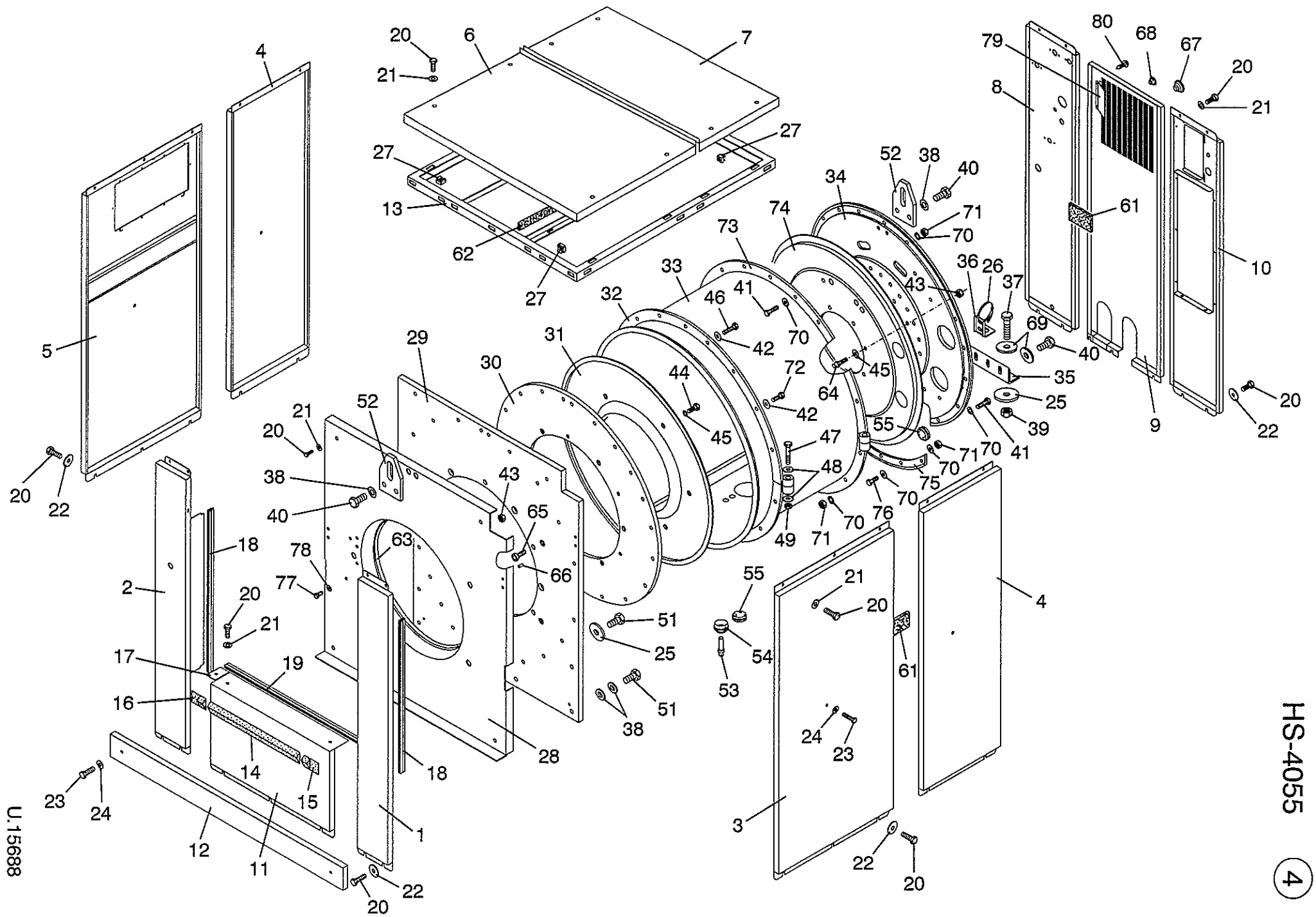
* 278598 SUSPENSION SET

CONJUNTO SUSPENSION

ENSEMBLE SUSPENSION



| N° | REF. | DENOMINATION | DENOMINACIÓN | DÉNOMINATION |
|----|--------|--|---|--|
| 1 | 321141 | MOTOR MT150215/4 200/400 15KW (PULLEY INCLUDED) | MOTOR MT150215/4 200/400V.15KW (INCLUYE POLEA) | MOTEUR MT150215/4 200/400V15KW (COMPRIS POULIE) |
| 2 | 408773 | MOTOR PULLEY | POLEA MOTOR | POULIE MOTEUR |
| 3 | 321158 | STAR TOLERANCE RING | ANILLO TOLER.STAR 0820-045-05 | BAGUE TOLERANCE STAR 0820-045 |
| 4 | 197418 | STUFFING-BOX EXAD.CLAMP PG16 | PRENSAE.EXAD.BRIDA 81654 PG16 | PRESSE-ETOUPE EXAD.BRIDE PG16 |
| 5 | 140384 | REDUCER PG 21-16 | REDUCTOR 211604 PG 21-16 | REDUCTEUR PG 21-16 |
| 6 | 146688 | BI HEX.SCREW DIN933-8. M12X 50 | TOR.EX.DIN933-8.8 B.TRI.M12X50 | VIS HEX.DIN933-8.8 BICR.M12X50 |
| 7 | 278853 | WASHER 30X12,5X4 | ARANDELA 30X12,5X4 | RONDELLE 30X12,5X4 |
| 8 | 244525 | TIGHTENER | TENSOR | TENDEUR |
| 9 | 218941 | TIGHTENER PULLEY SHAFT | MUÑON POLEA TENSOR | AXE POULIE TENDEUR |
| 10 | 150326 | BICR.HEX NUT DIN 934-8 M 24 | TUER.EX.DIN934-8 B.TRI.M24 | ECROU HEX BICR DIN 934-8 M 24 |
| 11 | 408856 | TIGHTENER PULLEY | POLEA TENSORA | POULIE TENDEUSE |
| 12 | 128512 | BEARING 6005-2RS | RODAMIENTO 6005-2Z | ROULEMENT 6005-2RS |
| 13 | 244509 | TIGHTENER BEARING SEPARATOR | SEPARADOR COJINETES TENSOR | SEPARATEUR ROULEMENTS TENDEUR |
| 14 | 131557 | FLEXIBLE RING I-47 DIN 472 | ANILLO ELASTICO I- 47 DIN 472 | BAGUE ELASTIQUE I-47 DIN 472 |
| 15 | 115428 | WASHER 30X10,5X3 | ARANDELA 30X10,5X3 | RONDELLE 30X10,5X3 |
| 16 | 146480 | BICR.HEX SCREW DIN933-8 M10X20 | TOR.EX.DIN933-8.8 B.TRI.M10X20 | VIS HEX BICR.DIN933-8 M 10X20 |
| 17 | 219014 | TIGHTENER SCREW | TORNILLO TENSOR | VIS TENDEUR |
| 18 | 150250 | BICR HEX.NUT DIN 934-8 M 14 | TUER.EX.DIN934-8 B.TRI.M14 | ECROU HEX.BICR DIN 934-8 M 14 |
| 19 | 176172 | HEX SCREW 8G DIN 933 M-14X55 | TOR.EX.DIN933-8.8 B.TRI.M14X55 | VIS HEX. 8G DIN 933 M-14X55 |
| 20 | 219071 | WASHER 40X15X5 | ARANDELA 40X15X5 | RONDELLE 40X15X5 |
| 21 | 321083 | FAN | VENT.NMB 5915PC-23T-B30-A00 | VENTILATEUR |
| 22 | 408799 | FANS BRACKETS | SOPORTE VENTILADORES | SUPPORT VENTILATEURS |
| 23 | 146266 | BICR.HEX SCREW DIN933-8 M-4X15 | TOR.EX.DIN933-4.8 B.TRI.M 4X15 | VIS HEX BICR.DIN933-8.8 M-4X15 |
| 24 | 149476 | BICR.WASHER B DIN125-ST 4,3 | ARAN.B DIN125-ST B.TRI. 4,3 | RONDELLE B DIN125-ST BICR.4,3 |
| 25 | 132043 | SELFBLOCKING NUT DIN985 M 4 | TUER.AUTOBL.DIN985-8 B.TRI.M 4 | ECROU AUTOBLOCANT DIN985 M 4 |
| 26 | 165621 | BIC HEX SCREW DIN933-8,8 M6X10 | TOR.EX.DIN933-8.8 B.TRI.M 6X10 | VIS HEX DIN933-8,8 BICR M6X10 |
| 27 | 149526 | BICR.WASHER B DIN125-ST 6,4 | ARAN.B DIN125-ST B.TRI. 6,4 | RONDELLE B DIN125-ST BICR.6,4 |



U.15688

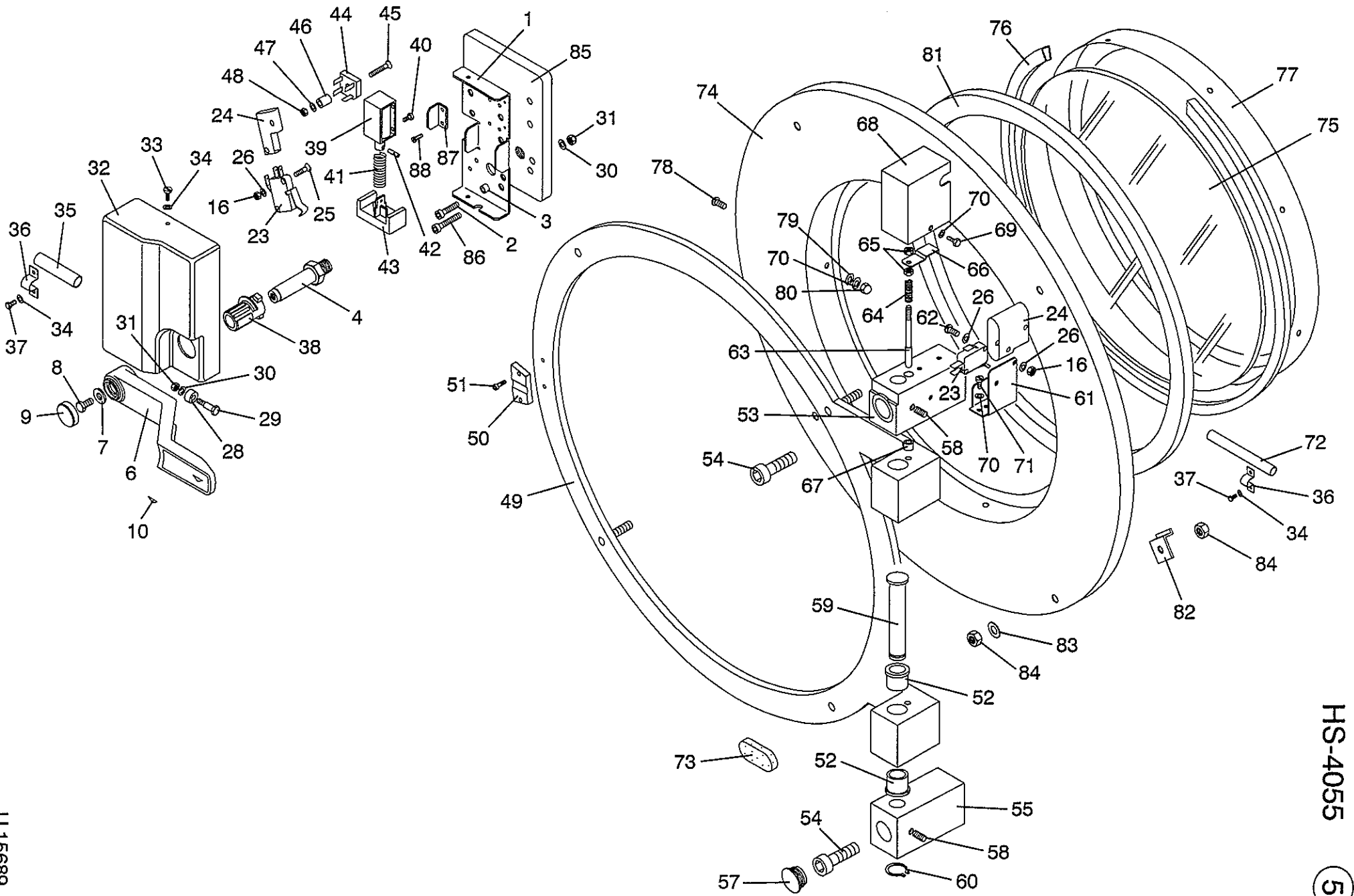
HS-4055

4

| N° | REF. | DENOMINATION | DENOMINACIÓN | DÉNOMINATION |
|----|--------|-------------------------------------|--|--|
| 1 | 277848 | RIGHT FRONT LID (INOX) | TAPA FRONTAL DERECHA (INOX) | COUVERCLE FRONTAL DROIT (INOX) |
| | 283341 | RIGHT FRONT COVER (RED PAINTED) | TAPA FRONTAL DERECHA (PINTADA ROJA) | COUVERCLE FRONTAL DROIT (PEINTE ROUGE) |
| | 283358 | RIGHT FRONT COVER (GREY PAINTED) | TAPA FRONTAL DERECHA (PINTADA GRIS) | COUVERCLE FRONTAL DROIT (PEINTE GRIS) |
| 2 | 277830 | LEFT FRONT LID (INOX) | TAPA FRONTAL IZQUIERDA (INOX) | COUVERCLE FRONTAL GAUCHE (INOX) |
| | 283382 | LEFT FRONT COVER (RED PAINTED) | TAPA FRONTAL IZQUIERDA (PINTADA ROJA) | COUVERCLE FRONTAL GAUCHE (PEINTE ROUGE) |
| | 283390 | LEFT FRONT COVER (GREY PAINTED) | TAPA FRONTAL IZQUIERDA (PINTADA GRIS) | COUVERCLE FRONTAL GAUCHE (PEINTE GRIS) |
| 3 | 410266 | RIGHT FRONT SIDE PANEL | TAPA LATERAL ANTERIOR DERECHA | COUVERCLE LATERAL AVANT DROIT |
| 4 | 245035 | REAR SIDE COVER | TAPA LATERAL POSTERIOR | COUVERCLE LATERAL ARRIERE |
| 5 | 410274 | LEFT FRONT SIDE PANEL | TAPA LATERAL ANTERIOR IZQUIER. | COUVERCLE LATERAL AVANT GAUCHE |
| 6 | 278119 | FRONT UPPER PLATE | TAPA SUPERIOR ANTERIOR | COUVERCLE SUPERIEUR FRONTAL |
| 7 | 278101 | REAR UPPER PLATE | TAPA SUPERIOR POSTERIOR | COUVERCLE SUPERIEUR ARRIERE |
| 8 | 410324 | LEFT REAR SIDE PANEL | TAPA POSTERIOR LATERAL IZQDA. | COUVERCLE ARRIERE LAT.GAUCHE |
| 9 | 409656 | CENTRAL REAR COVER | TAPA POSTERIOR CENTRAL | COUVERCLE ARRIERE CENTRAL |
| 10 | 409581 | RIGHT REAR SIDE COVER | TAPA POSTERIOR LATERAL DERECHA | COUVERCLE ARRIERE LAT.DROIT |
| 11 | 277822 | LOWER FRONT LID | TAPA FRONTAL INFERIOR | COUVERCLE FRONTAL INFERIEUR |
| 12 | 259846 | SOCKET | ZOCALO | SOCLE |
| 13 | 283317 | UPPER FRAME | BASTIDOR SUPERIOR | BATI SUPERIEUR |
| 14 | 242966 | PROTECTION PROFILE | PERFIL PROTECCION | PROFILE PROTECTION |
| 15 | 174581 | TERMINAL RE. 4776/V-4 RIGHT | TERMINAL REF.V-4 DERECHA | TERMINAL REF 4776/V-4 DROITE |
| 16 | 174599 | TERMINAL RE 4776/V-4 LEFT | TERMINAL REF.V-4 IZQUIERDA | TERMINAL REF 4776/V-4 GAUCHE |
| 17 | 277814 | LOWER COVER SUPPLEMENT | SUPLEMENTO TAPA INFERIOR | SUPPLEMENT COUVERCLE INFERIEUR |
| 18 | 278697 | RIGHT & LEFT FRONT PROFILE | PERFIL FRONTAL DER.E IZQU. | PROFILE FRONTAL DROIT/GAUCHE |
| 19 | 278713 | LOWER FRONT PROFILE | PERFIL FRONTAL INFERIOR | PROFILE FRONTAL INFERIEUR |
| 20 | 144964 | INOX HEX SCREW DIN 933 M-8X15 | TOR.EX.DIN933INOX A2-70 M 8X16 | VIS HEX INOX DIN 933 M-8X15 |
| 21 | 149351 | INOX A2 WASHER DIN 125 8,4 | ARAN. DIN125 INOX A2 8,4 | RONDELLE INOX A2 DIN 125 8,4 |
| 22 | 217133 | WASHER 27X10X3 | ARANDELA 27X10X3 | RONDELLE 27X10X3 |
| 23 | 144907 | INOX HEX SCREW DIN 933 M-6X10 | TOR.EX.DIN933INOX A2-70 M 6X10 | VIS HEX INOX DIN 933 M-6X10 |

| N° | REF. | DENOMINATION | DENOMINACIÓN | DÉNOMINATION |
|----|--------|--------------------------------|--------------------------------|--------------------------------|
| 24 | 149310 | INOX.A2 WASHER DIN125 6,4 | ARAN. DIN125 INOX A2 6,4 | RONDELLE INOX.A2 DIN125 6,4 |
| 25 | 269126 | WASHER 60X17X12 | ARANDELA 60X17X12 | RONDELLE 60X17X12 |
| 26 | 140525 | CLAMP 2244-0 | BRIDA UNEX 2244-0 | BRIDE 2244-0 |
| 27 | 174532 | CAGED NUT M-8 R-310011-6 | TUER.ENJ.M8 1,8-3,2 R.310011-6 | ECROU ENCAGE M-8 R-310011-6 |
| 28 | 277251 | FRONT LID | TAPA FRONTAL | COUVERCLE FRONTAL |
| 29 | 277244 | FRONT PLATE | PLACA FRONTAL | PLAQUE FRONTAL |
| 30 | 254292 | OUTER-DRUM FRONT CROWN | CORONA FRONTAL ENVOLVENTE | COURONNE FRONTAL CUVE |
| 31 | 222000 | OUTER-DRUM FRONT PANEL | FRONTAL ENVOLVENTE | FRONTAL CUVE |
| 32 | 243279 | OUTER-DRUM FIXING RING | ARO FIJACION ENVOLVENTE | BAGUE FIXATION CUVE |
| 33 | 259689 | OUTER-DRUM | ENVOLVENTE | CUVE |
| 34 | 262915 | REAR PLATE | PLACA POSTERIOR | PLAQUE ARRIERE |
| 35 | 242958 | REAR PLATE ANGLE | ANGULO PLACA POSTERIOR | ANGLE PLAQUE ARRIERE |
| 36 | 245142 | CLAMP | BRIDA | BRIDE |
| 37 | 195966 | BI.HEX SCREW DIN931-8. M16X120 | TOR.EX.DIN931-8.8 BICR.M16X120 | VIS HEX.DIN931-8,8 BIC.M16X120 |
| 38 | 149385 | BICR.WASHER B DIN125-ST 17 | ARAN.B DIN125-ST B.TRI.17 | RONDELLE B DIN125-ST BICR.17 |
| 39 | 173260 | SELF-BLOCKING NUT DIN 985 M-16 | TUER.AUTOBL.DIN985-8B.TRI.M16 | ECROU AUTOBLOCANT DIN 985 M-16 |
| 40 | 175786 | BIC.HEX SCREW DIN933-8.M16X40 | TOR.EX.DIN933-8.8 B.TRI.M16X40 | VIS HEX.DIN933-8,8 BICR M16X40 |
| 41 | 145524 | HEX SCREW 8G DIN931 M12X55 | TOR.EX.DIN931-8.8 B.TRI.M12X55 | VIS HEX 8G DIN931 M12X55 |
| 42 | 115428 | WASHER 30X10,5X3 | ARANDELA 30X10,5X3 | RONDELLE 30X10,5X3 |
| 43 | 150649 | SELFBLOCKING NUT DIN 985 M-10 | TUER.AUTOB.DIN985-8 B.TRI.M10 | ECROU AUTOBLOCANT DIN 985 M-10 |
| 44 | 164087 | INOX HEX SCREW DIN933 M10X40 | TOR.EX.DIN933INOX A2-70 M10X40 | VIS HEX INOX DIN933 M10X40 |
| 45 | 175273 | USIT GASKET TYPE UA 16X10X1,5 | JUNTA USIT TIPO UA 16X10X1,5 | JOINT USIT TYPE UA 16X10X1,5 |
| 46 | 147009 | HEX SCREW 8G DIN 933 M-10X25 | TOR.EX.DIN933-8.8 B.TRI.M10X25 | VIS HEX. DIN 933 M-10X25 8G |
| 47 | 175703 | HEX SCREW 8G DIN 931 M-14X100 | TOR.EX.DIN931-8.8B.TRI.M14X100 | VIS HEX 8G DIN 931 M-14X100 |
| 48 | 149393 | BICR WASHER B DIN125-ST 15 | ARAN.B DIN125-ST B.TRI.15 | RONDELLE B BICR DIN125-ST 15 |
| 49 | 164350 | SELFBLOCKING NUT DIN-985 M-14 | TUER.AUTOB.DIN985-8 B.TRI.M14 | ECROU AUTOBLOCANT DIN985 M-14 |
| 51 | 175729 | HEX SCREW 8G DIN 931 M-16X100 | TOR.EX.DIN931-8.8B.TRI.M16X100 | VIS HEX 8G DIN 931 M-16X100 |
| 52 | 216903 | LOADING HOOK | GANCHO DE CARGA | CROCHET DE CHARGEMENT |
| 53 | 193862 | NTC RESISTANCE 2381 640 90042 | RESISTENCIA NTC 2381 640 90042 | RESISTANCE NTC 2381 640 90042 |
| 54 | 256149 | SENSOR SHEATH LODGING | PASAMUROS SENSOR | LOGEMENT SENSEUR |

| N° | REF. | DENOMINATION | DENOMINACIÓN | DÉNOMINATION |
|----|--------|---|---|--|
| 55 | 160101 | THERMOSTAT INTAKE STOPPER | TAPON TOMA TERMOSTATO | BOUCHON PRISE THERMOSTAT |
| 61 | 219543 | ANTI-VIBRATION PIECE | PIEZA ANTI-VIBRACION | PIECE ANTI-VIBRATION |
| 62 | 220038 | UPPER COVER SUPPORT | APOYO TAPAS SUPERIORES | APPUI COUVERCLES SUPERIEURS |
| 63 | 165472 | ETHYLENE-PROP. PROFILE (1 METER) | PERFIL ETILENO-PROP.REF.44117L (1 METRO) | PROFILE ETHYLENE-PROP. (1 METRE) |
| 64 | 157271 | INOX HEX SCREW DIN933 M10X35 | TOR.EX.DIN933INOX A2-70 M10X35 | VIS HEX INOX DIN933 M10X35 |
| 65 | 181313 | ALLEN SCREW DIN912 M12X35 | TOR.ALLDIN912-8.8 B.TRI.M12X35 | VIS ALLEN DIN912 M12X35 |
| 66 | 150763 | FLEXIBLE PIN DIN1481 D4X10 | PASADOR ELASTICO DIN1481 D4X10 | GOUJON ELASTIQUE DIN1481 D4X10 |
| 67 | 139683 | CONE ECPC-6 | CONO HIMEL ECPC-6 | CONE ECPC-6 |
| 68 | 181701 | LEGRAND CONE 91911 | CONO LEGRAND 91911 | CONE LEGRAND 91911 |
| 69 | 200626 | WASHER 50X17X9 | ARANDELA 50X17X9 | RONDELLE 50X17X9 |
| 70 | 278853 | WASHER 30X12,5X4 | ARANDELA 30X12,5X4 | RONDELLE 30X12,5X4 |
| 71 | 150656 | SELFBLOCKING NUT DIN985 M-12 | TUER.AUTOB.DIN985-8 B.TRI.M12 | ECROU AUTOBLOCANT DIN985 M-12 |
| 72 | 175679 | HEX SCREW 8G DIN 933 M-10X 45 | TOR.EX.DIN933-8.8 B.TRI.M10X45 | VIS HEX 8G DIN 933 M-10X 45 |
| 73 | 244830 | OUTER-DRUM FIXING RING | ARO FIJACION ENVOLVENTE | BAGUE FIXATION CUVE |
| 74 | 254318 | OUTER-DRUM BOTTOM | FONDO ENVOLVENTE | FOND CUVE |
| 75 | 262923 | OUTER-DRUM SEMI-RING | SEMI-ARO ENVOLVENTE | DEMI-BAGUE CUVE |
| 76 | 146688 | BI HEX.SCREW DIN933-8. M12X 50 | TOR.EX.DIN933-8.8 B.TRI.M12X50 | VIS HEX.DIN933-8.8 BICR.M12X50 |
| 77 | 145342 | SCREW DIN 85 M8X20 (WITHOUT TILTING) | TOR.ALOM.INOX DIN 85 M 8X20 (SIN VOLQUETE) | VIS DIN 85 M8X20 (SANS SOCLE BASCULANT) |
| 78 | 149351 | INOX A2 WASHER DIN 125 8,4 (WITHOUT TILTING) | ARAN. DIN125 INOX A2 8,4 (SIN VOLQUETE) | RONDELLE INOX A2 DIN 125 8,4 (SANS SOCLE BASCULANT) |
| 79 | 409599 | PROTECTION SCREEN | PANTALLA PROTECCION | ÉCRAN PROTECTION |
| 80 | 183400 | CYL.PLATE SCREW ST-4 20 C/AL | TOR.CHAPA ST-4 20 C/AL.T25 | VIS PLAQUE CYL.ST-4 20 C/AL |



U.15689

HS-4055

5

| N° | REF. | DENOMINATION | DENOMINACIÓN | DÉNOMINATION |
|----|--------|--------------------------------|--------------------------------|--------------------------------|
| 1 | 276469 | SAFETY LOCK BRACKET | SOPORTE CIERRE SEGURIDAD | SUPPORT FERMETURE DE SECURITE |
| 2 | 144352 | ALLEN SCREW DIN912 M-6X25 | TOR.ALLDIN912-8.8 B.TRI.M 6X25 | VIS ALLEN DIN912 M-6X25 |
| 3 | 276527 | LOCK END-PIECE | TOPE CIERRE | ARRET FERMETURE |
| 4 | 276485 | LOCK SHAFT | EJE CIERRE | AXE FERMETURE |
| 6 | 199257 | KNOB | EMPUÑADURA | POIGNEE |
| 7 | 115733 | WASHER 16X7X3 | ARANDELA 16X7X3 | RONDELLE 16X7X3 |
| 8 | 165621 | BIC HEX SCREW DIN933-8,8 M6X10 | TOR.EX.DIN933-8.8 B.TRI.M 6X10 | VIS HEX DIN933-8,8 BICR M6X10 |
| 9 | 189993 | KNOB STOPPER | TAPON EMPUÑADURA | BOUCHON POIGNEE |
| 10 | 193599 | KNOB PLATE | PLACA EMPUÑADURA | PLAQUE POIGNEE |
| 23 | 279760 | MICROSWITCH | MINIRRUPTOR | MICRORRUPTEUR |
| 24 | 281113 | MICROSWITCH ISOLATION | AISLANTE MICRORRUPTOR | ISOLANT MICRORRUPTEUR |
| 25 | 303131 | BICR.SCREW DIN963-4.8 M 3X 20 | TOR.AV.DIN963-4.8B.TRI. M 3X20 | VIS.T/FRAIS DIN963-4.8 B.M3X20 |
| 26 | 149484 | BICR.WASHER B DIN125-ST 3,2 | ARAN.B DIN125-ST B.TRI. 3,2 | RONDELLE B.DIN125-ST BICR. 3,2 |
| 28 | 276519 | KNOB ROLL | RODILLO EMPUÑADURA | ROULEAU POIGNEE |
| 29 | 276477 | KNOB BOLT | BULON EMPUÑADURA | BOULON POIGNEE |
| 30 | 149526 | BICR.WASHER B DIN125-ST 6,4 | ARAN.B DIN125-ST B.TRI. 6,4 | RONDELLE B DIN125-ST BICR.6,4 |
| 31 | 176834 | SELFBLOCKING NUT DIN985 M-6 | TUER.AUTOBL.DIN985-8 B.TRI.M6 | ECROU AUTOBLOCANT DIN985 M-6 |
| 32 | 199307 | SAFETY LOCK BOX | CAJA CIERRE SEGURIDAD | BOITE FERMETURE SECURITE |
| 33 | 300632 | INOX A2-70 SCREW DIN85 M5X 8 | TOR.PLA.DIN85 INOX A2-70 M5X 8 | VIS DIN85 INOX A2-70 M5X 8 |
| 34 | 149369 | INOX A2 WASHER DIN 125 5,3 | ARAN. DIN125 INOX A2 5,3 | RONDELLE INOX A2 DIN 125 5,3 |
| 35 | 278036 | WIRE PROTECTION HOSE | TUBO PROTECCION CABLES | TUBE PROTECTION CABLES |
| 36 | 276824 | WIRE PROTECTION CLAMP | BRIDA PROTECCION CABLES | BRIDE PROTECTION CABLES |
| 37 | 144774 | INOX HEX SCREW DIN 933 M-5X10 | TOR.EX.DIN933INOX A2-70 M 5X10 | VIS HEX INOX DIN 933 M-5X10 |
| 38 | 283689 | LOCK KNOB JOINTING | UNION EMPUÑADURA CIERRE | UNION POIGNEE FERMETURE |
| 39 | 283697 | SAFETY LOCK COIL | BOBINA CIERRE SEGURIDAD | BOBINE FERMETURE SECURITE |
| 40 | 147561 | SCREW DIN963-4.8 M 3X 7 | TOR.AV.DIN963-4.8 B.TRI.M 3X 7 | VIS DIN963-4.8 BICR M 3X 7 |
| 41 | 300665 | COIL SPRING | MUELLE BOBINA | RESSORT BOBINE |
| 42 | 150698 | FLEXIBLE PIN DIN1481 D3X10 | PASADOR ELASTICO DIN1481 D3X10 | GOUJON ELASTIQUE DIN1481 D3X10 |
| 43 | 276402 | SLIDING BLOCKER | BLOQUEADOR DESLIZANTE | BLOQUEUR COULISSANT |
| 44 | 175224 | RECTIFIER BRIDGE FB1010 | PUNTE RECTIFIC.FAGOR FB1010 | PONT RECTIFIEUR FB1010 |

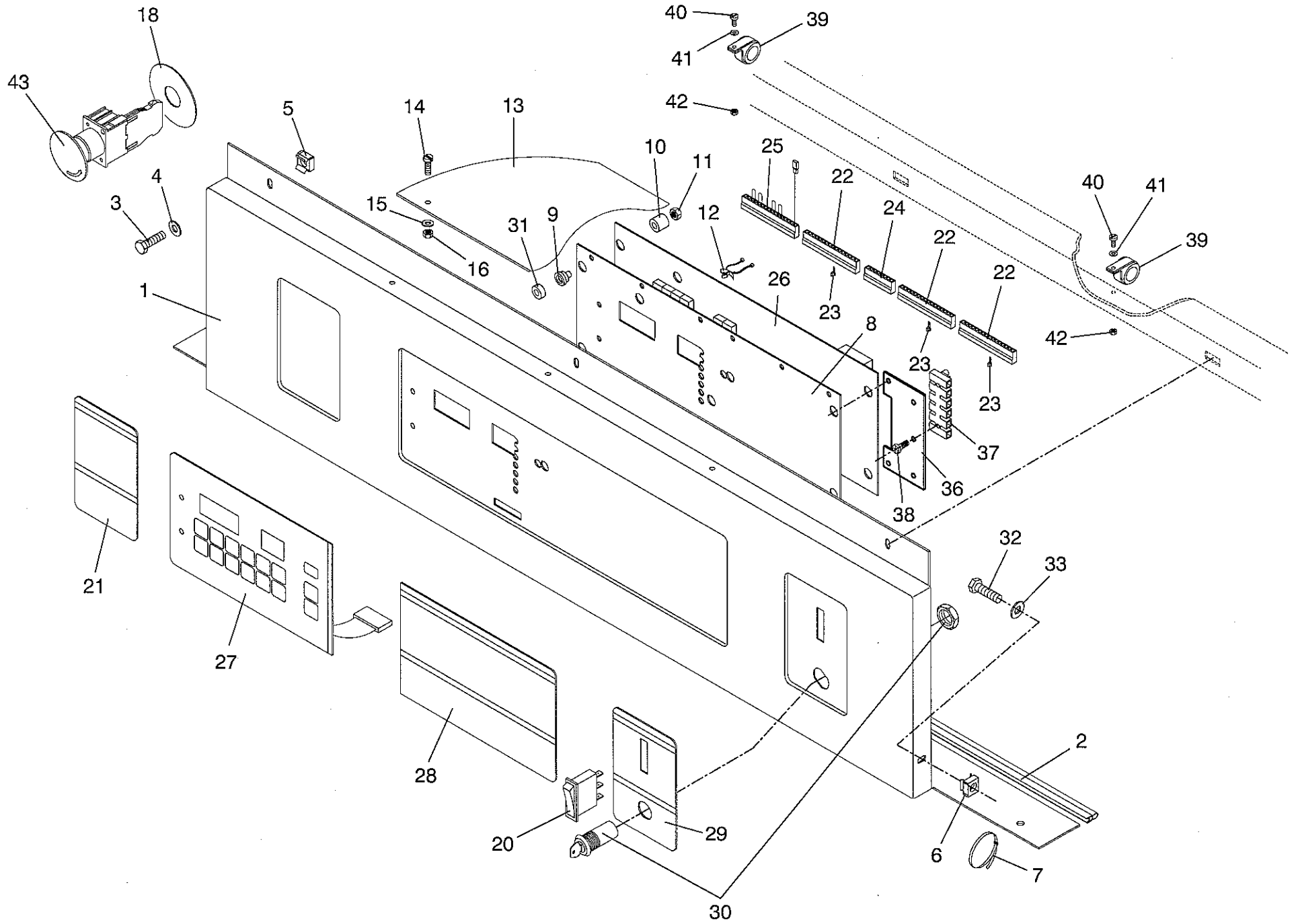
| N° | REF. | DENOMINATION | DENOMINACIÓN | DÉNOMINATION |
|----|----------|--------------------------------|--------------------------------|--------------------------------|
| 45 | 199240 | BICR.SCREW DIN963-4.8 M4X30 | TOR.AV.DIN963-4.8 B.TRI M 4X30 | VIS T/FRAIS.DIN963-4 BIC.M4X30 |
| 46 | 300467 | CYLINDER SEPARATOR SS10-4 CPVC | SEPARADOR CILINDR.SS10-4 CPVC | SEPARATEUR CYLINDR.SS10-4 CPVC |
| 47 | 149476 | BICR.WASHER B DIN125-ST 4,3 | ARAN.B DIN125-ST B.TRI. 4,3 | RONDELLE B DIN125-ST BICR.4,3 |
| 48 | 150185 | BICR.HEX.NUT DIN934-8 M4 | TUER.EX.DIN934-8 B.TRI.M 4 | ECROU HEX.DIN934-8 BICR.M4 |
| 49 | 282996 | DOOR RING | ARO ESCOTILLA | BAGUE HUBLLOT |
| 50 | 199323 | DOOR LOCK PIECE | PIEZA CIERRE SEGURIDAD | PIECE FERMETURE HUBLLOT |
| 51 | 144279 | ALLEN SCREW DIN 912 M-5X15 | TOR.ALLDIN912-8.8 B.TRI.M 5X15 | VIS ALLEN DIN 912 M-5X15 |
| 52 | 174482 | SELFOIL SLEEVE B11B22-28-25/33 | COJ. SELFOIL B11B22-28-25/33-4 | FRETTE SELFOIL B11B22-28-25/33 |
| 53 | 277285 | HINGE | BISAGRA | CHARNIERE |
| 54 | 175752 | ALLEN SCREW DIN 912 M-20X60 | TOR.ALLDIN912-8.8 B.TRI.M20X60 | VIS ALLEN DIN 912 M-20X60 |
| 55 | 259952 | HINGE | BISAGRA | CHARNIERE |
| 57 | 176776 | CONICAL END FIG. 26 D38 | TOPE CONICO FIG.26 D38 | ARRET CONIQUE FIG. 26 D38 |
| 58 | 175778 | ALLEN BUMP DIN 916 M-8X15 | ESP.ALL.DIN916-10.9 M 8X15 | GOUJON ALLEN DIN 916 M-8X15 |
| 59 | 206995 | DOOR BOLT | BULON ESCOTILLA | BOULON HUBLLOT |
| 60 | 174524 | FLEXIBLE RING E-22 DIN 471 | ANILLO ELASTICO E-22 DIN 471 | BAGUE ELASTIQUE E-22 DIN 471 |
| 61 | 276857 | MICROSWITCH BRACKET | SOPORTE MICRORRUPTOR | SUPPORT MICRORRUPTEUR |
| 62 | 146043 | BIC CYL SCREW DIN84-4,8 M3X16 | TOR.CIL.DIN84-4.8 B.TRI.M 3X16 | VIS CYL DIN84-4,8 BICR.M3X16 |
| 63 | 276907 | MICROSWITCH ACTIVATOR BOLT | PERNO ACCIONADOR MICRORRUPTOR | BOULON ACCIONATEUR MICRORRUPT. |
| 64 | 198069 | SPRING | MUELLE COMPENSADOR | RESSORT |
| 65 | 149922 | INOX HEX. NUT DIN 934 M-4 | TUER.EX.DIN934 INOX A2-70 M 4 | ECROU HEX. INOX DIN 934 M-4 |
| 66 | 276873 | MICROSWITCH DRIVE | ACCIONADOR MICRORRUPTOR | ACTIONNEMENT MICRORRUPTEUR |
| 67 | 276840 | GUIDE SLEEVE | CASQUILLO GUIA | FRETTE GUIDE |
| 68 | 276923 | PROTECTION PLATE | TAPA PROTECCION | COUVERCLE PROTECTION |
| 69 | 144832 | INOX.HEX.SCREW DIN 933 M-4X10 | TOR.EX.DIN933INOX A2-70 M 4X10 | VIS HEX INOX. DIN 933 M-4X10 |
| 70 | 149328 | INOX A2 WASHER DIN 125 4,3 | ARAN. DIN125 INOX A2 4,3 | RONDELLE INOX A2 DIN 125 4,3 |
| 71 | 145664 | INOX FLAT SCREW DIN85 M 4X8 | TOR.PLA.DIN85 INOX A2-70 M4X 8 | VIS PLAT INOX DIN85 M 4X8 |
| 72 | 276899 | WIRE PROTECTION HOSE | TUBO PROTECCION CABLES | TUBE PROTECTION CABLES |
| 73 | 200212 | DOOR END-PIECE | TOPE ESCOTILLA | ARRET HUBLLOT |
| 74 | 244202 * | DOOR RING | ARO ESCOTILLA | BAGUE HUBLLOT |
| 75 | 174912 | GLASS SPYHOLE D519X5 | MIRILLA CRISTAL D519+-1,5X5 | VITRE D519X5 |

| N° | REF. | DENOMINATION | DENOMINACIÓN | DÉNOMINATION |
|----|--------|------------------------------|--------------------------------|--------------------------------|
| 76 | 174920 | NEOPRENE A PROFILE L.1635 MM | PERFIL A EPDM BLANCO 1635MM. | PROFILE NEOPRENE A L.1635 MM |
| 77 | 244210 | OUTER RING | ARO EXTERIOR | BAGUE EXTERIEUR |
| 78 | 145649 | INOX FLAT SCREW DIN85 M 4X10 | TOR.PLA.DIN85 INOX A2-70 M4X10 | VIS PLAT INOX DIN85 M-4X10 A2 |
| 79 | 116129 | SCREW GASKET | JUNTA TORNILLO | JOINT VIS |
| 80 | 150151 | INOX BLIND NUT DIN 1587 M-4 | TUERCA CIE.INOX LAR.DIN1587M 4 | ECROU AVEUGLE INOX DIN 1587 M4 |
| 81 | 176008 | DOOR GASKET | JUNTA ESCOTILLA | JOINT HUBLLOT |
| 82 | 216820 | DOOR GASKET CLIP | GRAPA JUNTA ESCOTILLA | CLIP JOINT HUBLLOT |
| 83 | 149302 | INOX.A2 WASHER DIN 125 13 | ARAN. DIN125 INOX A2 13 | RONDELLE INOX.A2 DIN 125 13 |
| 84 | 149948 | INOX. HEX. NUT DIN 934 M-12 | TUER.EX.DIN934 INOX A2-70 M12 | ECROU HEX. INOX. DIN 934 M-12 |
| 85 | 276543 | LOCKING BASE | BASE CIERRE | BASE FERMETURE |
| 86 | 302331 | ALLEN SCREW DIN912-8.8 BICR. | TOR.ALLDIN912-8.8 B.TRI.M 6X35 | VIS ALLDIN912-8.8 BICR.M6X35 |
| 87 | 279810 | LOCKING BOX COVER | TAPETA CAJA CIERRE | COUVERCLE BOITE FERMETURE |
| 88 | 146035 | BICR CYL SCREW DIN84 M-3X10 | TOR.CIL.DIN84-4.8 B.TRI.M 3X10 | VIS CYL BICR DIN84-4.8 M 3X10 |

* 244194 COMPLETE DOOR

ESCOTILLA COMPLETA

HUBLLOT COMPLET



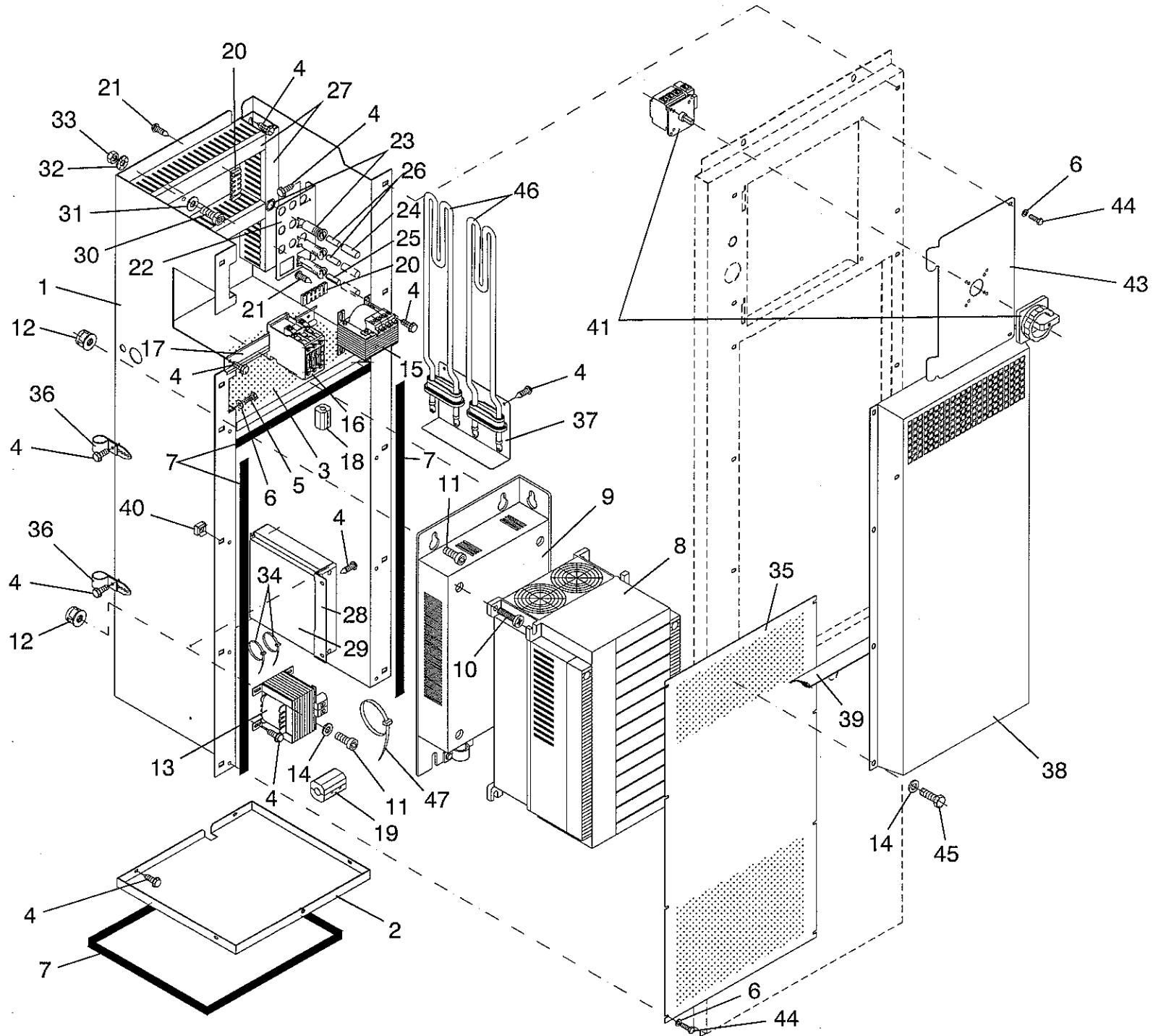
| N° | REF. | DENOMINATION | DENOMINACIÓN | DÉNOMINATION |
|----|--------|--------------------------------|--------------------------------|--------------------------------|
| 1 | 280883 | CONTROL PANEL | PANEL DE MANDOS | PANNEAU COMMANDE |
| 2 | 278705 | CONTROL PANEL PROFILE | PERFIL PANEL DE MANDOS | PROFILE PANNEAU COMMANDES |
| 3 | 144964 | INOX HEX SCREW DIN 933 M-8X15 | TOR.EX.DIN933INOX A2-70 M 8X16 | VIS HEX INOX DIN 933 M-8X15 |
| 4 | 149351 | INOX A2 WASHER DIN 125 8,4 | ARAN. DIN125 INOX A2 8,4 | RONDELLE INOX A2 DIN 125 8,4 |
| 5 | 174532 | CAGED NUT M-8 R-310011-6 | TUER.ENJ.M8 1,8-3,2 R.310011-6 | ECROU ENCAGE M-8 R-310011-6 |
| 6 | 165019 | CAGED NUT M-6 0,5-1,5 | TUER.ENJ.M6 0,5-1,5 R.310007-9 | ECROU PRESIONER M-6 0,5-1,5 |
| 7 | 140525 | CLAMP 2244-0 | BRIDA UNEX 2244-0 | BRIDE 2244-0 |
| 8 | 278317 | PROCESSOR ISOLATOR | AISLANTE MICROPROCESADOR | ISOLANT MICROPROCESSEUR |
| 9 | 277392 | PLATE-CONTROL SEPARATOR | SEPARADOR PANEL-PLACA | SEPARATEUR TABLEAU-PLAQUE |
| 10 | 277400 | NUT-PLATE SEPARATOR | SEPARADOR PLACA-TUERCA | SEPARATEUR PLAQUE-ECROU |
| 11 | 150185 | BICR.HEX.NUT DIN934-8 M4 | TUER.EX.DIN934-8 B.TRI.M 4 | ECROU HEX.DIN934-8 BICR.M4 |
| 12 | 199893 | CLAMP STL-450-3-01 | ABRAZADERA STL-450-3-01 | BRIDE STL-450-3-01 |
| 13 | 258277 | PROCESSOR BOARD LID | TAPA PLACA MICROPROCESADOR | COUVERCLE PLAQ.MICROPROCESSEUR |
| 14 | 145649 | INOX FLAT SCREW DIN85 M 4X10 | TOR.PLA.DIN85 INOX A2-70 M4X10 | VIS PLAT INOX DIN85 M-4X10 A2 |
| 15 | 219758 | WASHER 12X4X1,5 | ARANDELA 12X4X1,5 | RONDELLE 12X4X1,5 |
| 16 | 132043 | SELFBLOCKING NUT DIN985 M 4 | TUER.AUTOBL.DIN985-8 B.TRI.M 4 | ECROU AUTOBLOCANT DIN985 M 4 |
| 17 | 192310 | MUSHROOM PUSH-BUTTON | PUL.HONGO ENCL.3SB10 (341529) | PULSATEUR TYPE COUP DE POING |
| 18 | 192294 | YELLOW RING | ARO AMARILLO | BAGUE JAUNE |
| 19 | 197343 | CONNECTION ELEMENT 3SB13 20-0A | ELEMENTO CONEXION 3SB13 20-0A | ELEMENT CONNEXION 3SB13 20-0A |
| 20 | 300780 | SWITCH 1WIXII/3359 WHITE | INTER.PILOTO 1WIXII/3359 BLANC | INTERRUPTEUR 1WIXII/3359 BLANC |
| 21 | 301069 | ENGLISH SAFETY INSTR.PLATE | PLACA INSTR.SEGURIDAD IN. | PLAQUE INSTR.SECURITE ANGLAIS |
| | 301077 | SPANISH SAFETY INSTR.PLATE | PLACA INSTR.SEGURIDAD ES. | PLAQUE INSTR.SECURITE ESPAGNOL |
| | 301085 | FRENCH SAFETY INSTR.PLATE | PLACA INSTR.SEGURIDAD FR. | PLAQUE INSTR.SECURITE FRANCAIS |
| | 301093 | GERMAN SAFETY INSTR.PLATE | PLACA INSTR.SEGURIDAD AL. | PLAQUE INSTR.SECURITE ALLEMAND |
| | 301101 | ITALIAN SAFETY INSTR.PLATE | PLACA INSTR.SEGURIDAD IT. | PLAQUE INSTR.SECURITE ITALIEN |
| | 301119 | PORTUGUESE SAFETY INSTR.PLATE | PLACA INSTR.SEGURIDAD PO. | PLAQUE INST.SECURITE PORTUGAIS |
| | 301127 | DUTCH SAFETY INSTR.PLATE | PLACA INSTR.SEGURIDAD HO. | PLAQUE INSTR.SECURITE HOLLAND. |
| | 301135 | DANISH SAFETY INSTR.PLATE | PLACA INSTR.SEGURIDAD DA. | PLAQUE INSTR.SAFETY DANOIS |
| | 301143 | FINNISH SAFETY INSTR.PLATE | PLACA INSTR.SEGURIDAD FI. | PLAQUE INSTR.SECURITE FINLAND. |
| | 301150 | NORWEGIAN SAFETY INSTR.PLATE | PLACA INSTR.SEGURIDAD NO. | PLAQUE INST.SECURITE NORVÉGIEN |

| N° | REF. | DENOMINATION | DENOMINACIÓN | DÉNOMINATION |
|----|--------|--------------------------------|-------------------------------|--------------------------------|
| | 301168 | SWEDISH SAFETY INSTR.PLATE | PLACA INSTR.SEGURIDAD SU. | PLAQUE INSTR.SECURITE SUÉDOIS |
| | 301176 | GREEK SAFETY INSTR.PLATE | PLACA INSTR.SEGURIDAD GR. | PLAQUE INSTR.SECURITE GREC |
| | 301184 | JAPENESE SAFETY INSTR.PLATE | PLACA INSTR.SEGURIDAD JA. | PLAQUE INSTR.SECURITE JAPONAIS |
| 22 | 197301 | PROTECTOR AMP-UNYT 1-640029-6 | PROTECTOR AMP-UNYT 1-640029-6 | PROTECTEUR AMP-UNYT 1-640029-6 |
| 23 | 197426 | POLARIZATION AMP 640180-1 | POSICIONADOR AMP 640180-1 | POLARIZATION AMP 640180-1 |
| 24 | 199810 | PROTECTOR AMP-UNYT 640029-8 | PROTECTOR AMP-UNYT 640029-8 | PROTECTEUR AMP-UNYT 640029-8 |
| 25 | 279208 | IDENTIFICATION PLUG | CONECTORA IDENTIFICACION | CONNECTEUR IDENTIFICATION |
| 26 | 318170 | MICROPROCESSOR BOARD PM | PLACA MICROPROCESADOR PM VR | PLAQUE MICROPROCESSEUR PM |
| | 320655 | WASHER-EXTRACTOR EPROM PM4 V04 | EPROM LAVADORAS PM4 VER04 | EPROM LAVEUSES PM4 VER04 |
| | 187195 | RAM ZERO POWER MK48Z08-10 | RAM ZERO POWER MK48Z08-10 | RAM ZERO POWER MK48Z08-10 |
| | 187203 | INPUT OPTOISOLATOR 4N35 | OPTOACOPLADOR ENTRADA 4N35 | OPTOISOLATOR ENTREE 4N35 |
| | 187211 | OUTPUT OPTOISOLATOR S21MD4V | OPTOACOPLADOR SALIDA | OPTOISOLATOR SORTIE S21MD4V |
| | 188003 | DISPLAY TDSR 5160 | DISPLAY TDSR 5160 | DISPLAY TDSR 5160 |
| 27 | 300673 | WASHER KEYBOARD PM | TECLADO LAVADORA PM | CLAVIER LAVEUSE PM |
| 28 | 301440 | ENGLISH OPERATION INSTR.PLATE | PLACA INSTR.FUNCION. IN. | PLAQUE INSTR.FONCTION ANGLAIS |
| | 301457 | SPANISH OPERATION INSTR.PLATE | PLACA INSTR.FUNCION. ES. | PLAQUE INSTR.FONCTION ESPAGNOL |
| | 301465 | FRENCH OPERATION INSTR.PLATE | PLACA INSTR.FUNCION. FR. | PLAQUE INSTR.FONCTION FRANCAIS |
| | 301473 | GERMAN OPERATION INSTR.PLATE | PLACA INSTR.FUNCION. AL. | PLAQUE INSTR.FONCTION ALLEMAND |
| | 301481 | ITALIAN OPERATION INSTR.PLATE | PLACA INSTR.FUNCION. IT. | PLAQUE INSTR.FONCTION ITALIEN |
| | 301499 | PORTUGUESE OPERATION INST.PLAT | PLACA INSTR.FUNCION. PO. | PLAQUE INST.FONCTION PORTUGAIS |
| | 301507 | DUTCH OPERATION INSTR.PLATE | PLACA INSTR.FUNCION. HO. | PLAQUE INSTR.FONCTION HOLLAND. |
| | 301515 | DANISH OPERATION INSTR.PLATE | PLACA INSTR.FUNCION. DA. | PLAQUE INSTR.FONCTION DANOIS |
| | 301523 | FINNISH OPERATION INSTR.PLATE | PLACA INSTR.FUNCION. FI. | PLAQUE INSTR.FONCTION FINLAND. |
| | 301531 | NORWEGIAN OPERATION INSTR.PLAT | PLACA INSTR.FUNCION. NO. | PLAQUE INSTR.FONCTION NORVÉG. |
| | 301549 | SWEDISH OPERATION INSTR.PLATE | PLACA INSTR.FUNCION. SU. | PLAQUE INSTR.FONCTION SUÉDOIS |
| | 301556 | GREEK OPERATION INSTR.PLATE | PLACA INSTR.FUNCION. GR. | PLAQUE INSTR.FONCTION GREC |
| | 301564 | JAPENESE OPERATION INSTR.PLATE | PLACA INSTR.FUNCION. JA. | PLAQUE INSTR.FONCTION JAPONAIS |
| 29 | 301994 | GENERAL CONTROL PLATE | PLACA MANDOS GENERALES | PLAQUE COMMANDES GENERALES |
| 30 | 410522 | FUNCTION SWITCH | CONMUTADOR FUNCIONES | COMMUTATEUR FONCTIONS |
| 31 | 279901 | SEPARATOR WASHER | ARANDELA SEPARADOR | RONDELLE SEPARATEUR |

| N° | REF. | DENOMINATION | DENOMINACIÓN | DÉNOMINATION |
|----|--------|--|--|--|
| 32 | 146233 | BICR.HEX SCREW DIN933-8 M6X15 | TOR.EX.DIN933-8.8 B.TRI.M 6X15 | VIS HEX DIN933-8.8 BICR.M6X15 |
| 33 | 149526 | BICR.WASHER B DIN125-ST 6,4 | ARAN.B DIN125-ST B.TRI. 6,4 | RONDELLE B DIN125-ST BICR.6,4 |
| 36 | 406280 | CONNECTION-BOARD BASE | BASE REGLETA | BASE REGLETTE |
| 37 | 318147 | CONNECTION-BOARD PA-329L (12 UNITS) | REGLETA PA-239L/12POLOS WP (12 ELEMENTOS) | REGLETTE PA-329L/12POLES WP (12 UNITÉS) |
| 38 | 166835 | SELFTHREADED SCREW | TOR.CELO RF81T 3,5X12 | VIS AUTO-FILETE 271147231900 |
| 39 | 321174 | FERRITE SPLIT TRCN-28-16-20 | FERRITA SPLIT TRCN-28-16-20 | FERRITE SPLIT TRCN-28-16-20 |
| 40 | 146175 | BICR CYL SCREW DIN84-4 M-5X10 | TOR.CIL.DIN84-4.8 B.TRI.M 5X10 | VIS CYL BICR DIN84-4.8.M-5X10 |
| 41 | 149534 | BICR.WASHER B DIN125-ST 5,3 | ARAN.B DIN125-ST B.TRI. 5,3 | RONDELLE B BICR.DIN125-ST 5,3 |
| 42 | 150177 | BICR HEX NUT DIN934-8 M5 | TUER.EX.DIN934-8 B.TRI.M 5 | ECROU HEX DIN934-8 BIC.M5 |

| N° | REF. | DENOMINATION | DENOMINACIÓN | DÉNOMINATION |
|----|--------|----------------------------|--------------------------------------|--------------------------------------|
| | | FROM MACHINE N° 860.001 | A PARTIR DE LA MÁQUINA N° 860.001 | A PARTIR DE LA MACHINE N° 860.001 |
| 17 | 192310 | CANCELLED | ANULADO | ANNULE |
| 19 | 197343 | CANCELLED | ANULADO | ANNULE |
| 43 | 341529 | EMERGENCY STOP LC | PARO EMERGENCIA LC | ARRET EMERGENCE LC |

U.15635



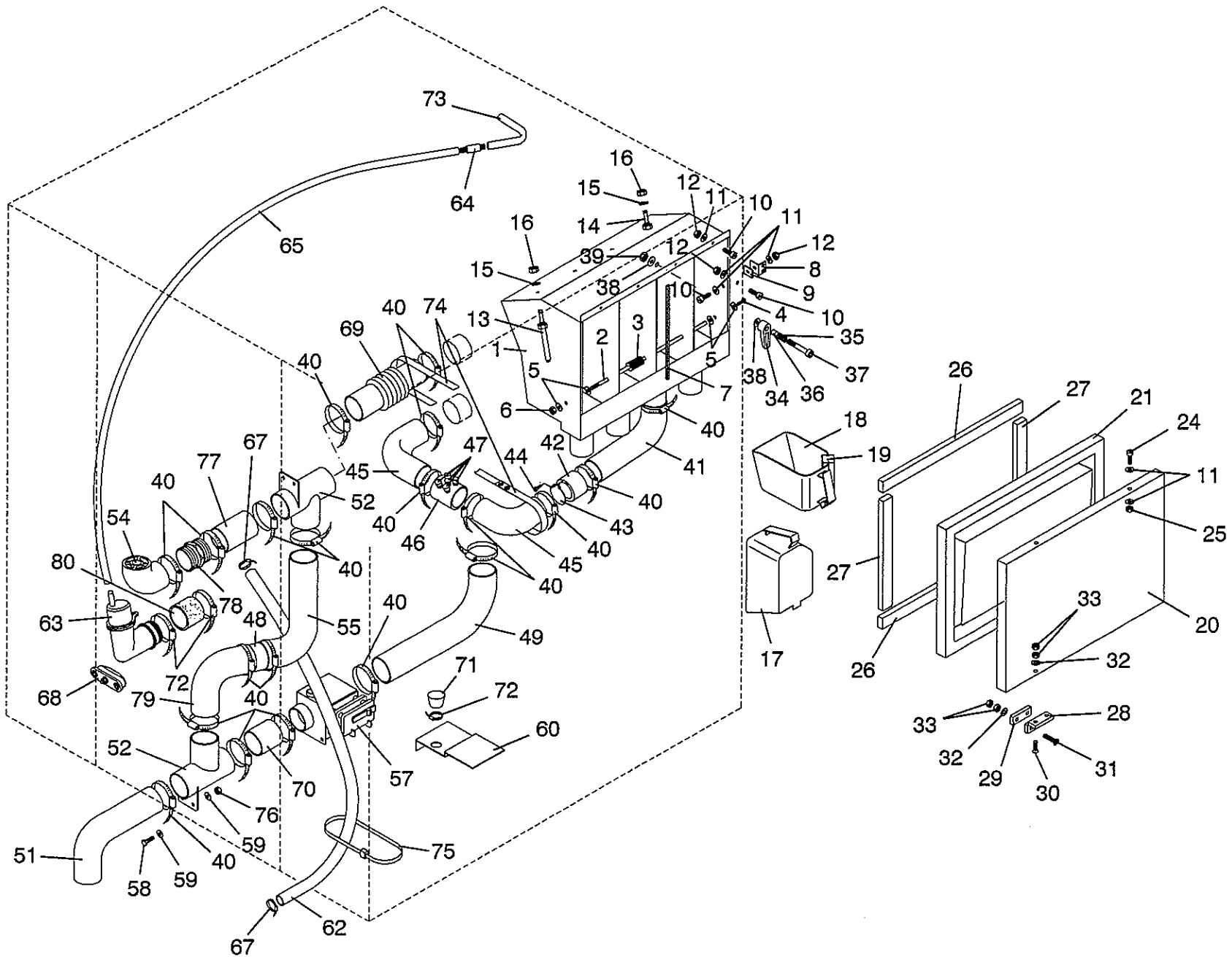
HS-4055

7

| N° | REF. | DENOMINATION | DENOMINACIÓN | DÉNOMINATION |
|----|--------|--|---|---|
| 1 | 409540 | CONVERTER INSTALLATION PLATE | PLACA INSTALACION CONVERTIDOR | PLAQUE INSTALLATION CONVERTIS. |
| 2 | 409623 | CEM LOWER COVER | TAPA INFERIOR CEM | COUVERCLE INFERIEUR CEM |
| 3 | 409631 | CEM UPPER COVER | TAPA SUPERIOR CEM | COUVERCLE SUPERIEUR CEM |
| 4 | 183400 | CYL.PLATE SCREW ST-4 20 C/AL | TOR.CHAPA ST-4 20 C/AL.T25 | VIS PLAQUE CYL.ST-4 20 C/AL |
| 5 | 146258 | BIC.HEX SCREW DIN933-4.8 M4X10 | TOR.EX.DIN933-4.8 B.TRI.M 4X10 | VIS HEX DIN933-4.8 BICR.M 4X10 |
| 6 | 149476 | BICR.WASHER B DIN125-ST 4,3 | ARAN.B DIN125-ST B.TRI. 4,3 | RONDELLE B DIN125-ST BICR.4,3 |
| 7 | 321273 | PROFILE E0819T00000 UL94HB (1 METER) | PERFIL E0813T00000 UL94HB (1 METRO) | PROFILE E0819T00000 UL94HB (1 METRE) |
| 8 | 318410 | CONVERTER FRN11 G11S-4EN (FOR 380-400-415-440-480V) | CONVERTIDOR FRN11 G11S-4EN (PARA 380-400-415-440-480V) | CONVERTISSEUR FRN11 G11S-4EN (POUR 380-400-415-440-480V) |
| | 321497 | CONVERTER FRN11 G11S-2JE (FOR 200-208-220-230-240V) | CONVERTIDOR FRN11 G11S-2JE (PARA 200-208-220-230-240V) | CONVERTISSEUR FRN11 G11S-2JE (POUR 200-208-220-230-240V) |
| | 332353 | FAN G11-FANT7,5 (5,5-22 KW) | VENT. G11-FAN7,5 (5,5-22 KW) | VENTILATEUR G11-FAN7,5 (5,5-22 |
| 9 | 318436 | FILTER TYPE EFL-15G11-4 | FILTRO TIPO EFL-15G11-4 | FILTRE TP. EFL-15G11-4 |
| 10 | 144394 | ALLEN SCREW DIN912 M8X20 | TOR.ALLDIN912-8.8 B.TRI.M 8X20 | VIS ALLEN DIN912 M8X20 |
| 11 | 144337 | ALLEN SCREW DIN912 M 6X15 | TOR.ALLDIN912-8.8 B.TRI.M 6X15 | VIS ALLEN DIN912 M 6X15 |
| 12 | 128934 | CYLINDRICAL CAGED NUT M-6 | TUER.ENJ.M6 CILINDR.R-310078-1 | ECROU ENCAGE CYLINDRIQUE M-6 |
| 13 | 320978 | INDUCTANCE DCR005 (FOR 380-400-415-440-480V) | INDUCTANCIA DCR005 (PARA 380-400-415-440-480V) | INDUCTANCE DCR005 (POUR 380-400-415-440-480V) |
| | 318428 | INDUCTANCE DCR003 (FOR 200-208-220-230-240V) | INDUCTANCIA DCR003 (PARA 200-208-220-230-240V) | INDUCTANCE DCR003 (POUR 200-208-220-230-240V) |
| 14 | 149526 | BICR.WASHER B DIN125-ST 6,4 | ARAN.B DIN125-ST B.TRI. 6,4 | RONDELLE B DIN125-ST BICR.6,4 |
| 15 | 320937 | TRANSFORMER IP00 160 VA (FOR 380-400-415-440-480V) | TRANSFORMADOR IP00 160 VA (PARA 380-400-415-440-480V) | TRANSFORMATEUR IP00 160 VA (POUR 380-400-415-440-480V) |
| | 320929 | TRANSFORMER IP00 160 VA (FOR 200-208-220-230-240V) | TRANSFORMADOR IP00 160 VA (PARA 200-208-220-230-240V) | TRANSFORMATEUR IP00 160 VA (POUR 200-208-220-230-240V) |
| 16 | 320846 | CONTACTOR 3RT10 24-1AL2 | CONTACTOR 3RT10 24-1AL2 | CONTACTEUR 3RT10 24-1AL2 |
| | 321240 | COIL 3RT1924-5AL21 230-50/60 | BOBINA 3RT1924-5AL21 230-50/60 | BOBINE 3RT1924-5AL21 230-50/60 |
| 17 | 214908 | CONTACTORS FIXING PROFILE | PERFIL FIJACION CONTACTORES | PROFILE FIXATION CONTACTEURS |
| 18 | 321182 | FERRITE SPLIT RFC-13 | FERRITA SPLIT RFC-13 | FERRITE SPLIT RFC-13 |
| 19 | 321166 | FERRITE SPLIT RFC-9 | FERRITA SPLIT RFC-9 | FERRITE SPLIT RFC-9 |
| 20 | 318147 | CONNECTION-BOARD PA-329L (12 UNITS) | REGLETA PA-239L/12POLOS WP (12 ELEMENTOS) | REGLETTE PA-329L/12POLES WP (12 UNITÉS) |
| 21 | 166835 | SELFTHREADED SCREW | TOR.CELO RF81T 3,5X12 | VIS AUTO-FILETE 271147231900 |

| N° | REF. | DENOMINATION | DENOMINACIÓN | DÉNOMINATION |
|----|--------|--|--|--|
| 22 | 279877 | FUSE BRACKET | SOPORTE FUSIBLES | SUPPORT FUSIBLES |
| 23 | 160119 | FUSE HOLDER REF.FEC 031 1631 | PORTAFUSIBLES REF.FEC.031.1631 | PORTE-FUSIBLE REF.FEC 031 1631 |
| 24 | 137661 | BAYONET HEAD | CABEZA BAYONETA FEK.031.1613 | TETE BAYONETTE |
| 25 | 318246 | FUSE CARTRIDGE SPT | CART.FUSIB.SPT 0001.2525 1,25 | CARTOUCHE FUSIBLE SPT |
| 26 | 321125 | FUSE SPT 1 A (FOR 380-400-415-440-480V) | CART.FUSIB.SPT 0001.2524 1 A (PARA 380-400-415-440-480V) | CARTOUCHE FUS. SPT 1 A (POUR 380-400-415-440-480V) |
| | 318246 | FUSE CARTRIDGE SPT (FOR 200-208-220-230-240V) | CART.FUSIB.SPT 0001.2525 1,25 (PARA 200-208-220-230-240V) | CARTOUCHE FUSIBLE SPT (POUR 200-208-220-230-240V) |
| 27 | 142430 | CHANNEL RE. 60.30.77 (1 METER) | CANAL UNEX 60.30.77 (1 METRO) | CANAL REF. 60.30.77 (1 METRE) |
| 28 | 409706 | BRAKE FIXATION BRACKET | SOPORTE FIJACION UNIDAD FRENO | SUPPORT FIXATION UNIT.FREIN |
| 29 | 321489 | UNIT BRAKE BU3-220-4EN (FOR 380-400-415-440-480V) | UNIDAD DE FRENO BU3-220-4EN (PARA 380-400-415-440-480V) | UNITE FREIN BU3-220-4EN (POUR 380-400-415-440-480V) |
| | 321471 | UNIT BRABE BU3-220-2 (FOR 200-208-220-230-240V) | UNIDAD DE FRENO BU3-220-2 (PARA 200-208-220-230-240V) | UNITE FREIN BU3-220-2 (POUR 200-208-220-230-240V) |
| 30 | 144295 | BICR.SCREW ALLEN912-8.8 M 5X25 | TOR.ALLDIN912-8.8 B.TRI.M 5X25 | VIS ALLDIN912-8.8 BICR.M 5X 25 |
| 31 | 149534 | BICR.WASHER B DIN125-ST 5,3 | ARAN.B DIN125-ST B.TRI. 5,3 | RONDELLE B BICR.DIN125-ST 5,3 |
| 32 | 149724 | BICR EXT.TOOT.WASH.DIN6798 M5 | ARAN.DEN.EXT.B.TRI.DIN6798M 5 | RONDEL DEN.EX.BICR.DIN6798 M5 |
| 33 | 150177 | BICR HEX NUT DIN934-8 M5 | TUER.EX.DIN934-8 B.TRI.M 5 | ECROU HEX DIN934-8 BIC.M5 |
| 34 | 140434 | CLAMP 2221 | BRIDA UNEX 2221 | BRIDE 2221 |
| 35 | 409649 | CEM COVER | TAPA CEM | COUVERCLE CEM |
| 36 | 140426 | CLAMP 1202 | BRIDA UNEX 1202 | BRIDE 1202 |
| 37 | 408286 | HEATER CONECT.PROTECTION | PROTECCION CONEX.CALEFACTORES | PROTECT.CONEX.RESISTANCES |
| 38 | 409664 | AIR CONDUCTION COVER | TAPA CONDUCCION AIRE | COUVERCLE CONDUIT AIR |
| 39 | 409698 | PROFILE | PERFIL OBTURADOR | PROFILE |
| 40 | 165019 | CAGED NUT M-6 0,5-1,5 | TUER.ENJ.M6 0,5-1,5 R.310007-9 | ECROU PRESIONER M-6 0,5-1,5 |
| 41 | 344176 | SECTION SWITCH 32A | INTERRUPTOR SECCIONADOR 32A | INTERRUPTEUR SECTIONNEUR 32A |
| 43 | 409615 | CURRENT INPUT COVER | TAPA ENTRADA CORRIENTE | COUVERCLE ENTREE DE COURANT |
| 44 | 146084 | BICR CYL SCREW DIN84 M 4X 10 | TOR.CIL.DIN84-4.8 B.TRI.M 4X10 | VIS CYL BICR DIN84-4.8 M 4X 10 |
| 45 | 146233 | BICR.HEX SCREW DIN933-8 M6X15 | TOR.EX.DIN933-8.8 B.TRI.M 6X15 | VIS HEX DIN933-8.8 BICR.M6X15 |
| 46 | 318741 | HEATER 240V 2500W | CALEFACTOR 240V 2500W | RESISTANCE 240V 2500W |

| N° | REF. | DENOMINATION | DENOMINACIÓN | DÉNOMINATION |
|--------|--------|------------------------|-------------------------|------------------------|
| 47 | 140509 | CLAMP 2273-0 | BRIDA UNEX 2273-0 | BRIDE 2273-0 |
| | | WITHOUT ILLUSTRATION | SIN ILUSTRACION | SANS ILLUSTRATION |
| 796102 | | FORCED VENTILATION KIT | KIT VENTILACION FORZADA | KIT VENTILATION FORCEE |



| N° | REF. | DENOMINATION | DENOMINACIÓN | DÉNOMINATION |
|----|----------|--|---|---|
| 1 | 256404 | DISPENSER BOX SET (PIN AND PROFILES INCLUDES) | CONJUNTO DOSIFICADORES (INCLUYE VARILLA Y PERFILES) | ENSEMBLE BOITE BAC A PRODUITS BAGUETTE ET PROFILES COMPRIS |
| 2 | 256545 | SOAP DISPENSER BAR | VARILLA DOSIFICADOR | BAGUETTE BAC A PRODUITS |
| 3 | 271916 | SOAP DISPENSER ROD PROTECTION | FUNDA VARILLA DOSIFICADOR | FOURREAU BAGUET.BAC A PRODUITS |
| 4 | 144782 | INOX HEX SCREW DIN933 M 5X15 | TOR.EX.DIN933INOX A2-70 M 5X15 | VIS HEX INOX DIN933 M 5X15 |
| 5 | 160838 | WASHER 14X6X1,5 | ARANDELA 14X6X1,5 | RONDELLE 14X6X1,5 |
| 6 | 176826 | SELF-BLOCKING NUT DIN 985 M-5 | TUER.AUTOBL.DIN985-8 B.TRI.M5 | ECROU AUTOBLOCANT DIN 985 M-5 |
| 7 | 255547 | SOAP DISPENSER PROFILE | PERFIL DOSIFICADOR | PROFILE BACS A PRODUITS |
| 8 | 256370 | SOAP DISPENSER FIXING | FIJACION DOSIFICADOR | FIXATION BAC A PRODUITS |
| 9 | 256446 | SOAP DISPENSER BRACKET PIECE | PIEZA SOPORTE DOSIFICADOR | PIECE SUPPORT BAC A PRODUITS |
| 10 | 145631 | INOX FLAT SCREW DIN85 M 4X15 | TOR.PLA.DIN85 INOX A2-70 M4X16 | VIS PLAT INOX DIN85 M 4X15 A2 |
| 11 | 149328 | INOX A2 WASHER DIN 125 4,3 | ARAN. DIN125 INOX A2 4,3 | RONDELLE INOX A2 DIN 125 4,3 |
| 12 | 176792 | INOX SELF-BLOCK.NUT DIN985 M 4 | TUER.AUTOBL.DIN985 INOX M 4 | ECROU AUTOBLOC.INOX DIN985 M 4 |
| 13 | 244467 | DISPENSER HOSE | TUBO DOSIFICADOR | TUBE BAC A PRODUITS |
| 14 | 242883 | DISPENSER HOSE COUPLING | RACOR TUBO DOSIFICADOR | RACCORD TUBE BAC A PRODUITS |
| 15 | 149393 | BICR WASHER B DIN125-ST 15 | ARAN.B DIN125-ST B.TRI.15 | RONDELLE B BICR DIN125-ST 15 |
| 16 | 150250 | BICR HEX.NUT DIN 934-8 M 14 | TUER.EX.DIN934-8 B.TRI.M14 | ECROU HEX.BICR DIN 934-8 M 14 |
| 17 | 244806 | SOLID SOAP DISPENSER | DOSIFICADOR DETERGENTE SOLIDO | BAC A PRODUIT DETERGENT SOLIDE |
| 18 | 244855 | LIQUID SOAP DISPENSER (HOSE INCLUDED) | DOSIFICADOR DETERGENTE LIQUIDO (INCLUYE TUBO) | BAC A PRODUIT DETERG.LIQUIDE (TUBE COMPRIS) |
| 19 | 234930 | CHLORINE INTAKE HOSE | TUBO ASPIRACION CLORO | TUBE ASPIRATION CHLORE |
| 20 | 244566 | DISPENSERS LID | TAPA DOSIFICADORES | COUVERCLE BAC A PRODUITS |
| 21 | 199984 | SOAP DISPENSER COUNTERLID | CONTRATAPA DOSIFICADORES | CONTRECOUVERCLE BAC A PRODUITS |
| 24 | 145649 | INOX FLAT SCREW DIN85 M 4X10 | TOR.PLA.DIN85 INOX A2-70 M4X10 | VIS PLAT INOX DIN85 M-4X10 A2 |
| 25 | 149922 | INOX HEX. NUT DIN 934 M-4 | TUER.EX.DIN934 INOX A2-70 M 4 | ECROU HEX. INOX DIN 934 M-4 |
| 26 | 256396 & | DISPENSER LID GASKET | JUNTA TAPA DOSIFICADOR | JOINT COUVERCLE BAC A PRODUITS |
| 27 | 244608 & | DISPENSERS LID GASKET | JUNTA TAPA DOSIFICADORES | JOINT COUVERCLE BAC A PRODUITS |
| 28 | 176800 | HINGE RE 15186 CHROMED | BISAGRA PINET 72-7-3329 CROM. | CHARNIERE 15186 CHROM |
| 29 | 244590 | HINGE SUPPLEMENT | SUPLEMENTO BISAGRA | SUPPLEMENT CHARNIERE |
| 30 | 176784 | INOX SCREW DIN 963 M-3X10 A270 | TOR.AV.DIN963 INOX A2-70 M3X10 | VIS INOX DIN 963 M-3X10 A2-70 |
| 31 | 144758 | INOX LENS HEAD S.DIN963 M 3X15 | TOR.AV.DIN963 INOX A2-70 M3X16 | VIS T/FRAI.INOX DIN963 M 3X15 |

| N° | REF. | DENOMINATION | DENOMINACIÓN | DÉNOMINATION |
|----|--------|---|---|--|
| 32 | 152132 | INOX A2 WASHER DIN 125 | ARAN. DIN125 INOX A2 3,2 | RONDELLE INOX A2 DIN 125 3,2 |
| 33 | 149906 | INOX. HEX. NUT DIN 934 M-3 | TUER.EX.DIN934 INOX A2-70 M 3 | ECROU HEX. INOX DIN934 M-3 |
| 34 | 187393 | LOCKING HANDLE | MANECILLA CIERRE | POIGNEE FERMETURE |
| 35 | 187401 | LOCKING HANDLE SPRING | MUELLE MANECILLA CIERRE | RESSORT POIGNEE FERMETURE |
| 36 | 257469 | HANDLE HOSE | TUBO MANECILLA | TUBE POIGNEE |
| 37 | 144436 | ALLEN SCREW DIN912 M8X45 | TOR.ALL DIN912-8.8 B.TRI.M8X45 | VIS ALLEN DIN912 M8X45 |
| 38 | 149351 | INOX A2 WASHER DIN 125 8,4 | ARAN. DIN125 INOX A2 8,4 | RONDELLE INOX A2 DIN 125 8,4 |
| 39 | 164285 | SELFBLOCKING NUT DIN985 M-8 | TUER.AUTOBL.DIN985-8 B.TRI.M8 | ECROU AUTOBLOCANT DIN985 M-8 |
| 40 | 132340 | CLAMP 301510-0 D80-100 | ABRAZADERA 80-100 | BRIDE 301510-0 D80-100 |
| 41 | 163204 | DRAIN HOSE | TUBO DESAGUE | TUBE VIDANGE |
| 42 | 263962 | STOPPER (MEMBRANE INCLUDED) | OBTURADOR (INCLUYE MEMBRANA) | OBTURATEUR (COMPRIS MEMBRANE) |
| 43 | 263954 | STOPPER MEMBRANE | MEMBRANA OBTURADOR | OBTURATEUR MEMBRANE |
| 44 | 192203 | INOX PLATE SCREW DIN7971 4X1/2 | TOR.CHAPA INOX.DIN7971 4X1/2" | VIS PLAQUE INOX DIN7971 4X1/2" |
| 45 | 175083 | WATER INLET ELBOW | CODO ENTRADA AGUA | COUDE ENTREE EAU |
| 46 | 220061 | SOAP INLET JOINTING | UNION ENTRADA DETERGENTE | UNION ENTREE DETERGENT |
| 47 | 156679 | CONICAL END-PIECE R-16 D10 | TOPE CONICO REPRIMSA R-16 D10 | BOUCHON CONIQUE R-16 D10 |
| 48 | 194217 | OBTURATOR HOSE | TUBO OBTURADOR | TUBE OBTURATEUR |
| 49 | 277087 | DRAIN HOSE | TUBO DESAGUE | TUBE VIDANGE |
| 51 | 163253 | DRAIN OUTLET HOSE | TUBO SALIDA DESAGÜE | TUBE SORTIE VIDANGE |
| 52 | 178152 | UNION T | TE UNION | T UNION |
| 54 | 300442 | EXHAUST ELBOW | CODO SALIDA VAHOS | COUDE SORTIE VAPEURS |
| 55 | 405027 | RUBBER HOSE D73X747X150 | CODO GOMA D73X747X150 | TUBE GOMME D73X747X150 |
| 57 | 163212 | DRAIN (NORMALLY OPEN) (NORMALLY OPEN) | DESAGUE (ABIERTO A F.DE CORR.) (NORMALMENTE ABIERTO) | VIDANGE (NORMALEMENT OUVERTE) (NORMALEMENT OUVERT) |
| | 163238 | DRAIN (NORMALLY CLOSED) (NORMALLY CLOSED) (FOR COIL LOCK) | DESAGUE (CERRADO A F.DE CORR.) (NORMALMENTE CERRADO) (PARA CIERRE BOBINA) | VIDANGE (NORMALEMENT FERMEE) (NORMALEMENT FERMÉ) (POUR FERMETURE BOBINE) |
| | 159756 | MOTOR AND GEAR-BOX RE. 453L (NORMALLY OPEN) | MOTOR-REDUCTOR0,24A.MTR453L18 (NORMALMENTE ABIERTO) | MOTEUR ET REDUCTEUR REF.453L (NORMALEMENT OUVERT) |
| | 159764 | MOTOR AND GEAR-BOX RE. 453R (NORMALLY CLOSED) | MOTOR-REDUCTOR 453R 0,24AMP. (NORMALMENTE CERRADO) | MOTEUR ET REDUCTEUR REF. 453R (NORMALEMENT FERMÉ) |

| N° | REF. | DENOMINATION | DENOMINACIÓN | DÉNOMINATION |
|----|----------|---|--|--|
| | 159749 | OPERATING SPRING RE. 308R (NORMALLY OPEN) | MUELLE ACCIONAMIENTO DS308R (NORMALMENTE ABIERTO) | RESSORT ACTIONNEMENT REF. 308R (NORMALEMENT OUVERT) |
| | 159731 | OPERATING SPRING RE.408L (NORMALLY CLOSED) | MUELLE ACCIONAMIENTO REF.408L (NORMALMENTE CERRADO) | RESSORT ACTIONNEMENT REF. 408L (NORMALEMENT FERMÉ) |
| | 166561 | DRAIN BODY RE. 711-SO 3" | CUERPO DESAGÜE REF.711-SO 3" | CORPS VIDANGE REF. 711-SO 3" |
| | 166553 | MOTOR FIXING PLATE REF. 304Z | PLACA FIJACION MOTOR REF.304Z | PLAQUE FIXATION MOTEUR 304Z |
| | 166611 | MOTOR FIXING PLATE SCREW | TORNILLO PLACA FIJAC.REF.306 | VIS PLAQUE FIXATION MOTEUR |
| | 166595 | MOTOR PLATE FIXING SCREW 320C | TORNILLO FIJACION REF.320C | VIS FIXATION 320C |
| | 166603 | CYL PLATE SCREW DIN7971 8X2" | TOR.CHAPA CILI.DIN7971 8X2" | VIS PLAQUE CYL DIN7971 8X2" |
| | 166587 | OPERATING SHAFT REF. 713 (NORMALLY OPEN) | EJE ACCIONAMIENTO REF.713 (NORMALMENTE ABIERTO) | AXE ACTIONNEMENT REF. 713 (NORMALEMENT OUVERT) |
| | 166579 | OPERATING SHAFT 813C (NORMALLY CLOSED) | EJE ACCIONAMIENTO REF.813C (NORMALMENTE CERRADO) | AXE ACTIONNEMENT 813C (NORMALEMENT FERMÉ) |
| | 166629 | OPERATIN SHAFT WASHER 823 | ARANDELA EJE ACCIONAM. REF.823 | RONDELLE AXE ACTIONNEMENT 823 |
| | 166637 | MANUAL LEVER REF. 601 (NORMALLY CLOSED) | PALANCA MANUAL REF.601 (NORMALMENTE CERRADO) | LEVIER MANUEL REF. 601 (NORMALEMENT FERMÉ) |
| 58 | 146316 | BICR.HEX SCREW DIN933-8 M-6X20 | TOR.EX.DIN933-8.8 B.TRI.M 6X20 | VIX HEX BICR.DIN933-8.8 M-6X20 |
| 59 | 115733 | WASHER 16X7X3 | ARANDELA 16X7X3 | RONDELLE 16X7X3 |
| 60 | 212795 | DRAIN PROTECTION | PROTECCION DESAGÜE | PROTECTION VIDANGE |
| 62 | 234047 | BEARING BOX DRAIN HOSE | TUBO DESAGUE CAJA COJINETES | TUBE VIDANGE BOITE ROULEMENTS |
| 63 | 320382 | PRESSURE TRANSMITT INTAKE BODY | CUERPO TOMA PRESOSTATO | CORPS PRISE PRESSOSTAT |
| 64 | 120956 | LEVEL PRESSURE-SWITCH INTAKE | TOMA PRESOSTATO NIVEL | PRISE PRESSOSTAT NIVEAU |
| 65 | 283523 @ | PRESSOSTAT HOSE | TUBO PRESOSTATO | TUBE PRESSOSTAT |
| 67 | 156109 | CLAMP 16-27 | ABRAZADERA 16- 27 | BRIDE 16-27 |
| 68 | 121962 | HEATER INLET LID | CIERRE ENTRADA CALEFACTOR | FERMETURE ENTREE RESISTANCE |
| 69 | 278218 | VAPOUR OUTLET JOINTING | UNION SALIDA VAHOS | UNION SORTIE VAPEURS |
| 70 | 277053 | DRAIN JOINTING HOSE | TUBO UNION DESAGUE | TUBE UNION VIDANGE |
| 71 | 135004 | CONICAL END-PIECE REPRIMSA R16 | TOPE CONICO REPRIMSA R-16 D30 | ARRET CONIQUE REPRIMSA R16 D30 |
| 72 | 149609 | CLAMP 301526-5 D25-40 | ABRAZADERA 25- 40 | BRIDE 301526-5 D25-40 |
| 73 | 279588 | AIR CONDUCTION HOSE | TUBO CONDUCCION AIRE | TUBE CONDUITE AIR |
| 74 | 192617 | CLAMP | BRIDA | BRIDE |
| 75 | 140509 | CLAMP 2273-0 | BRIDA UNEX 2273-0 | BRIDE 2273-0 |

HS-4055 406769B 8D

| N° | REF. | DENOMINATION | DENOMINACIÓN | DÉNOMINATION |
|----|--------|-------------------------------|-------------------------------|--------------------------------|
| 76 | 150227 | BICR HEX NUT DIN934-8 M6 | TUER.EX.DIN934-8 B.TRI.M 6 | ECROU HEX DIN934-8 BICR.M6 |
| 77 | 293324 | VAPOUR OUTLET JOINING | UNION SALIDA VAHOS | UNION SORTIE VAPEURS |
| 78 | 303107 | DOUBLE THREAD BUTTRESS 2-1/2" | MACHON DOBLE ROSCA 2-1/2" PVC | PILIER DOUBLE FILET 2-1/2" PVC |
| 79 | 278002 | RUBER ELBOW D73X350X210 | CODO GOMA D73X350X210 | COUDE GOMME D73X350X210 |
| 80 | 321000 | PRESSOSTAT BODY JOINTING | UNION CUERPO PRESOSTATO | UNION CORPS PRESSOSTAT |

& 131888 1 METER 15X20 PROFILE

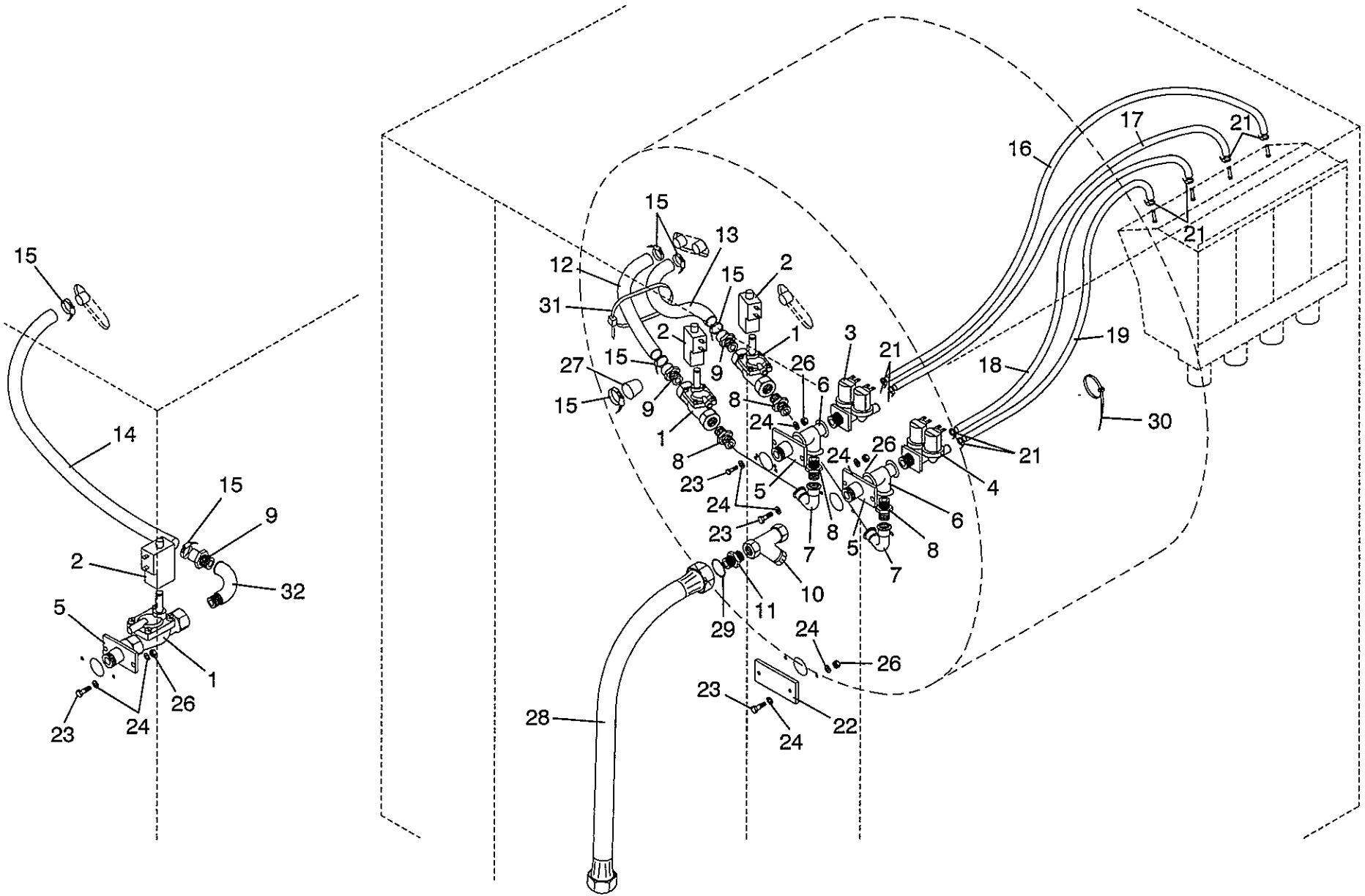
1 METRO PERFIL 15X20

1 METRE PROFILE 15X20

@ 128199 1 METER RUBBER HOSE D 9X 5

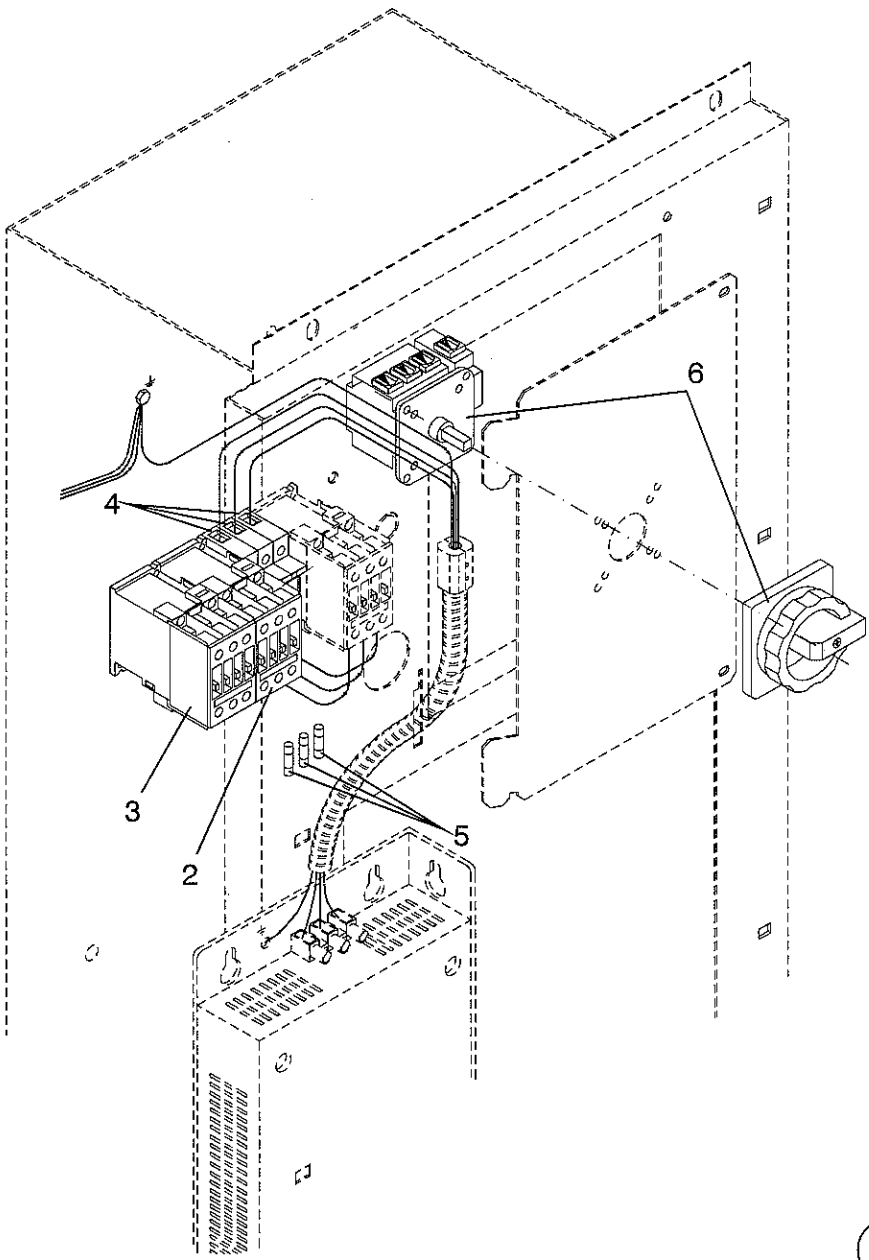
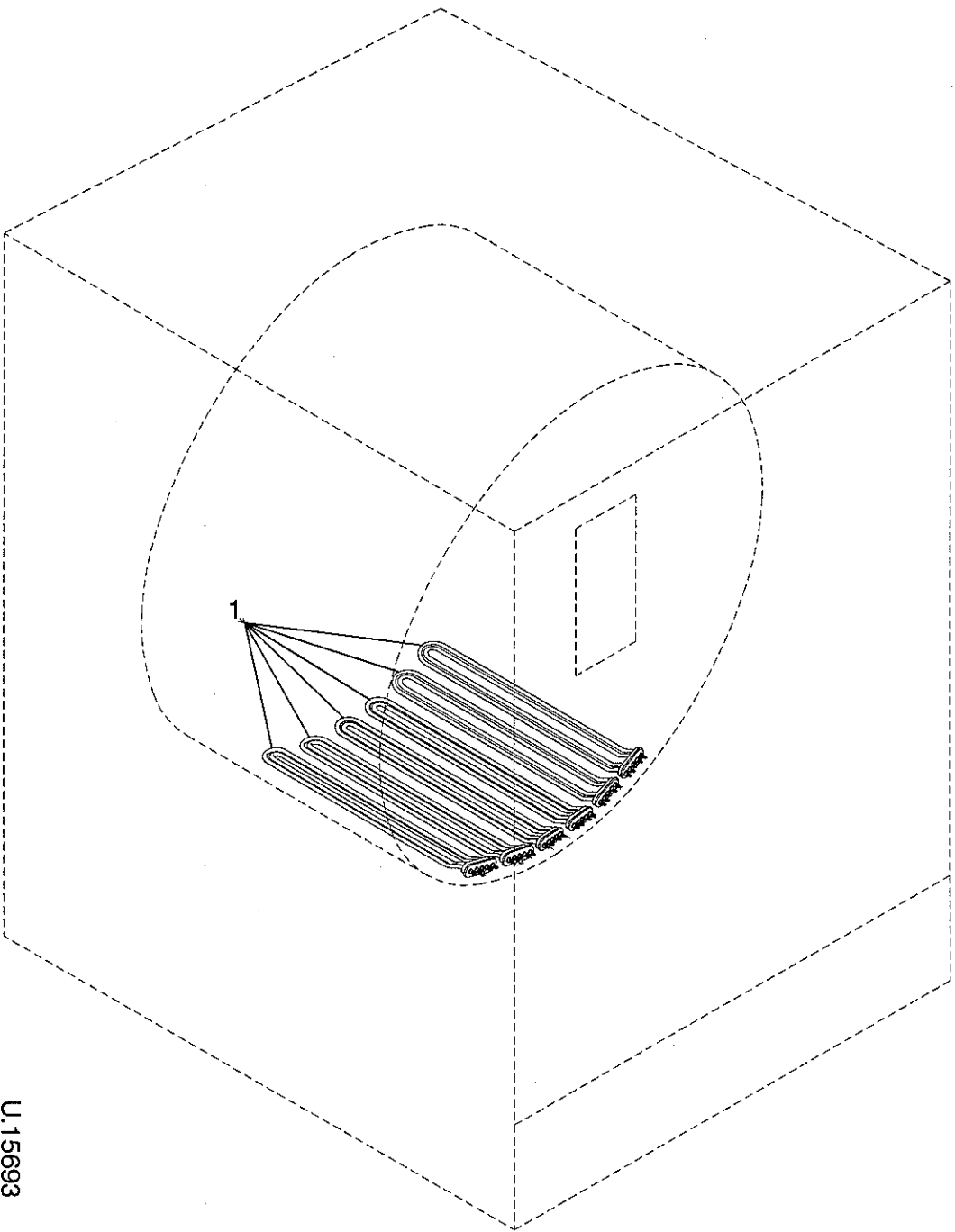
1 METRO TUBO GOMA D 9X 5

1 METRE TUBE GOMME D 9X 5

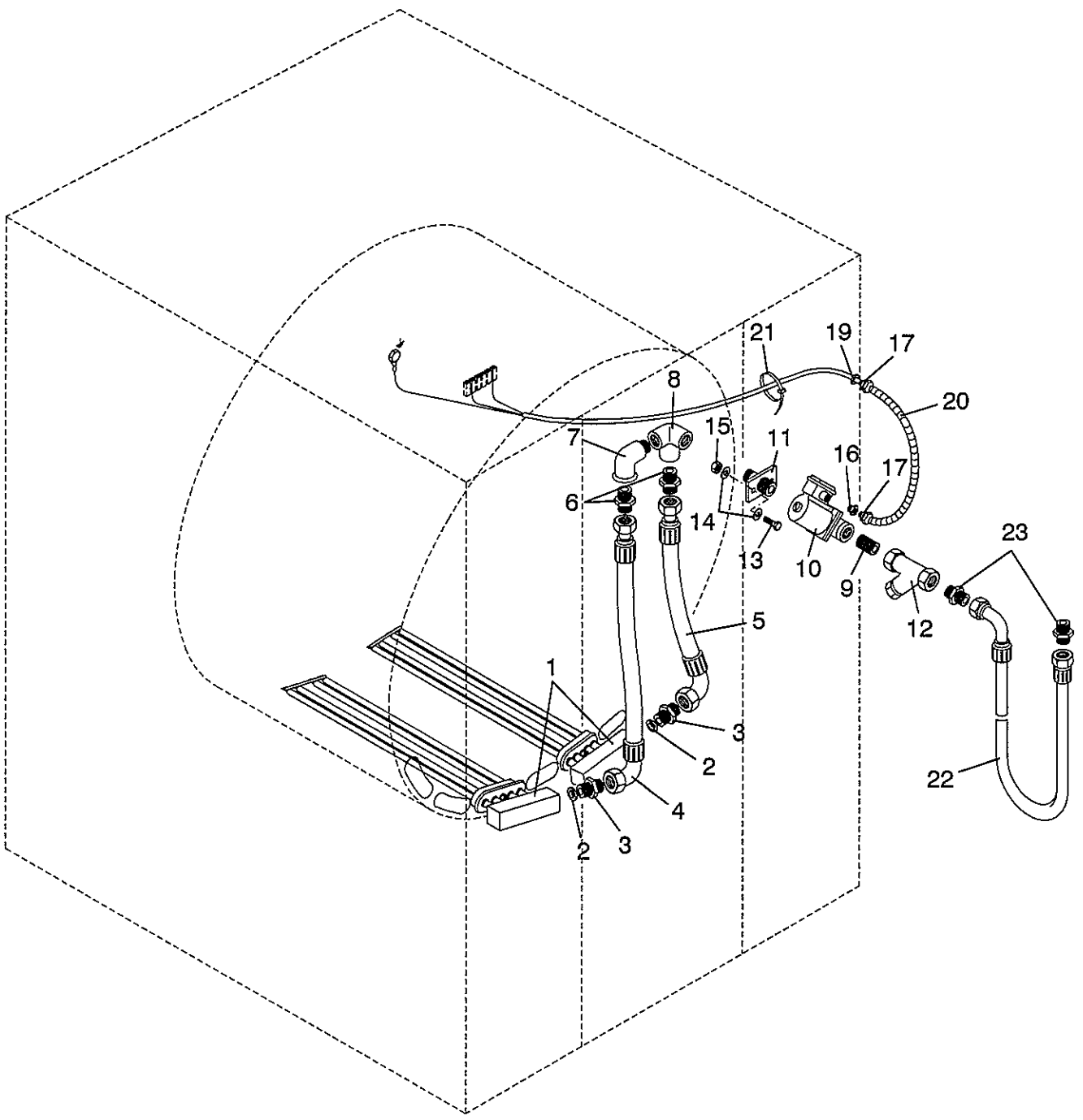


| N° | REF. | DENOMINATION | DENOMINACIÓN | DÉNOMINATION |
|----|----------|--|--|--|
| 1 | 149591 | VALVE BODY EVSI-25 32U7125 | CUERPO VAL.EVSI-25 32U7125 WBD | CORPS VANNE EVSI-25 32U7125 |
| | 104067 | SPARE PARTS KIT EVSI-25 WBD | KIT REPUES.EVSI-25 WBD 32U1075 | KIT RECHANGES EVSI-25 WBD |
| 2 | 100826 | VALVE COIL 42N7501 220V 50HZ (FOR 50HZ) | BOBINA VAL.42N7501 220V 50HZ (PARA 50 HZ) | BOBINE VANNE 42N7501 220V 50HZ (POUR 50 HZ) |
| | 100834 | VALVE COIL 42N7523 220V 60HZ (FOR 60HZ) | BOBINA VAL.42N7523 220V 60HZ (PARA 60 HZ) | BOBINE VANNE 42N7523 220V 60HZ (POUR 60 HZ) |
| 3 | 256503 | TWO TRACK ELECTROVALVE | ELECTROVALVULA DOS VIAS | ELECTROVANNE DEUX VOIES |
| | 192054 | ELECT.SERIES 300 COIL 220/240V | BOBINA ELEC.SERIE 300 220/240V | BOBINE ELEC.SERIE 300 220/240V |
| | 300194 | YELLOW CASE 30053 | ESTUCHE AMARILLO 30053 | BOITE JAUNE 30053 |
| | 300202 | INTEGRAL GUIDE-MEMBRANE 30696 | MEMBRANA-GUIA INTEGRAL 30696 | MEMBRANE-GUIDE INTEGRALE 30696 |
| 4 | 129379 | DOUBLE ELECTROVALVE 349A 180° | ELECTROV.DOUBLE 349-A 180° | ELECTROVANNE DOUBLE 349A 180° |
| | 192054 | ELECT.SERIES 300 COIL 220/240V | BOBINA ELEC.SERIE 300 220/240V | BOBINE ELEC.SERIE 300 220/240V |
| | 300194 | YELLOW CASE 30053 | ESTUCHE AMARILLO 30053 | BOITE JAUNE 30053 |
| | 300202 | INTEGRAL GUIDE-MEMBRANE 30696 | MEMBRANA-GUIA INTEGRAL 30696 | MEMBRANE-GUIDE INTEGRALE 30696 |
| 5 | 214502 | ELECTROVALVE BRACKET | SOPORTE ELECTROVALVULA | SUPPORT ELECTROVANNE |
| 6 | 128769 | T FIG 130 1"-1"-3/4" GALV | FIGURA 130RED.DE 1-1-3/4"GALV. | T FIG 130 1"-1"-3/4" GALV |
| 7 | 129361 | FIG 2 1" GALV | FIGURA 2 DE 1" GALV. | FIG 2 1" GALV |
| 8 | 129791 | FIG 280 1" GALV | FIGURA 280 DE 1" GALV. | FIG 280 1" GALV |
| 9 | 166793 | WATER INLET NUT | TUERCA ENTRADA AGUA | ECROU ENTREE EAU |
| 10 | 133744 | THREADED BRASS FILTER 1" | FILTRO LATON FLT ROSC. 1" 0,5 | FILTRE FILETE LAITON 1" |
| 11 | 216382 | WATER INLET SLEEVE | MANGUITO ENTRADA AGUA | MANCHON ENTREE EAU |
| 12 | 244913 | WATER INLET HOSE | TUBO ENTRADA AGUA | TUBE ENTREE EAU |
| 13 | 244921 | WATER INLET HOSE | TUBO ENTRADA AGUA | TUBE ENTREE EAU |
| 14 | 246330 | WATER INLET HOSE | TUBO ENTRADA AGUA | TUBE ENTREE EAU |
| 15 | 149609 | CLAMP 301526-5 D25-40 | ABRAZADERA 25- 40 | BRIDE 301526-5 D25-40 |
| 16 | 214320 & | WATER INLET HOSE | TUBO ENTRADA AGUA | TUBE ENTREE EAU |
| 17 | 163584 & | WATER INLET HOSE | TUBO ENTRADA AGUA | TUBE ENTREE EAU |
| 18 | 214395 & | WATER INLET HOSE | TUBO ENTRADA AGUA | TUBE ENTREE EAU |
| 19 | 117465 | WATER INLET HOSE | TUBO ENTRADA AGUA | TUBE ENTREE EAU |
| 21 | 155150 | CLAMP 8-16 | ABRAZADERA 8- 16 | BRIDE 8-16 |
| 22 | 122713 | WATER INLET COVER | TAPA ENTRADA AGUA | COUVERCLE ENTREE EAU |

| N° | REF. | DENOMINATION | DENOMINACIÓN | DÉNOMINATION |
|----|--------|-------------------------------|--------------------------------|-------------------------------|
| 23 | 146233 | BICR.HEX SCREW DIN933-8 M6X15 | TOR.EX.DIN933-8.8 B.TRI.M 6X15 | VIS HEX DIN933-8.8 BICR.M6X15 |
| 24 | 149526 | BICR.WASHER B DIN125-ST 6,4 | ARAN.B DIN125-ST B.TRI. 6,4 | RONDELLE B DIN125-ST BICR.6,4 |
| 26 | 150227 | BICR HEX NUT DIN934-8 M6 | TUER.EX.DIN934-8 B.TRI.M 6 | ECROU HEX DIN934-8 BICR.M6 |
| 27 | 149617 | CONICAL END PIECE R-16 D25 | TOPE CONICO REPRIMSA R-16 D25 | ARRET CONIQUE R-16 D25 |
| 28 | 164194 | WATER INLET HOSE RACCORDS 1" | TUBO EPDM 1"X1500 C.RACORES | TUBE ENTREE EAU RACCORDS 1" |
| 29 | 216408 | GASKET | JUNTA D31XD20X2 | JOINT |
| 30 | 140525 | CLAMP 2244-0 | BRIDA UNEX 2244-0 | BRIDE 2244-0 |
| 31 | 140533 | CLAMP 2271-0 | BRIDA UNEX 2271-0 | BRIDE 2271-0 |
| 32 | 129510 | FIG.92 1" GALV. | FIGURA 92 DE 1" GALV. | FIG.92 1" GALV. |
| | | THIRD WATER INLET KITS | KITS TERCERA ENTRADA AGUA | KITS TROISIEME ENTREE EAU |
| | 797555 | THIRD WATER INLET KIT 50HZ | KIT TERCERA ENTRADA AGUA 50HZ. | KIT TROISIEME ENTREE EAU 50HZ |
| | 797563 | THIRD WATER INLET KIT 60HZ | KIT TERCERA ENTRADA AGUA 60HZ. | KIT TROISIEME ENTREE EAU 60HZ |

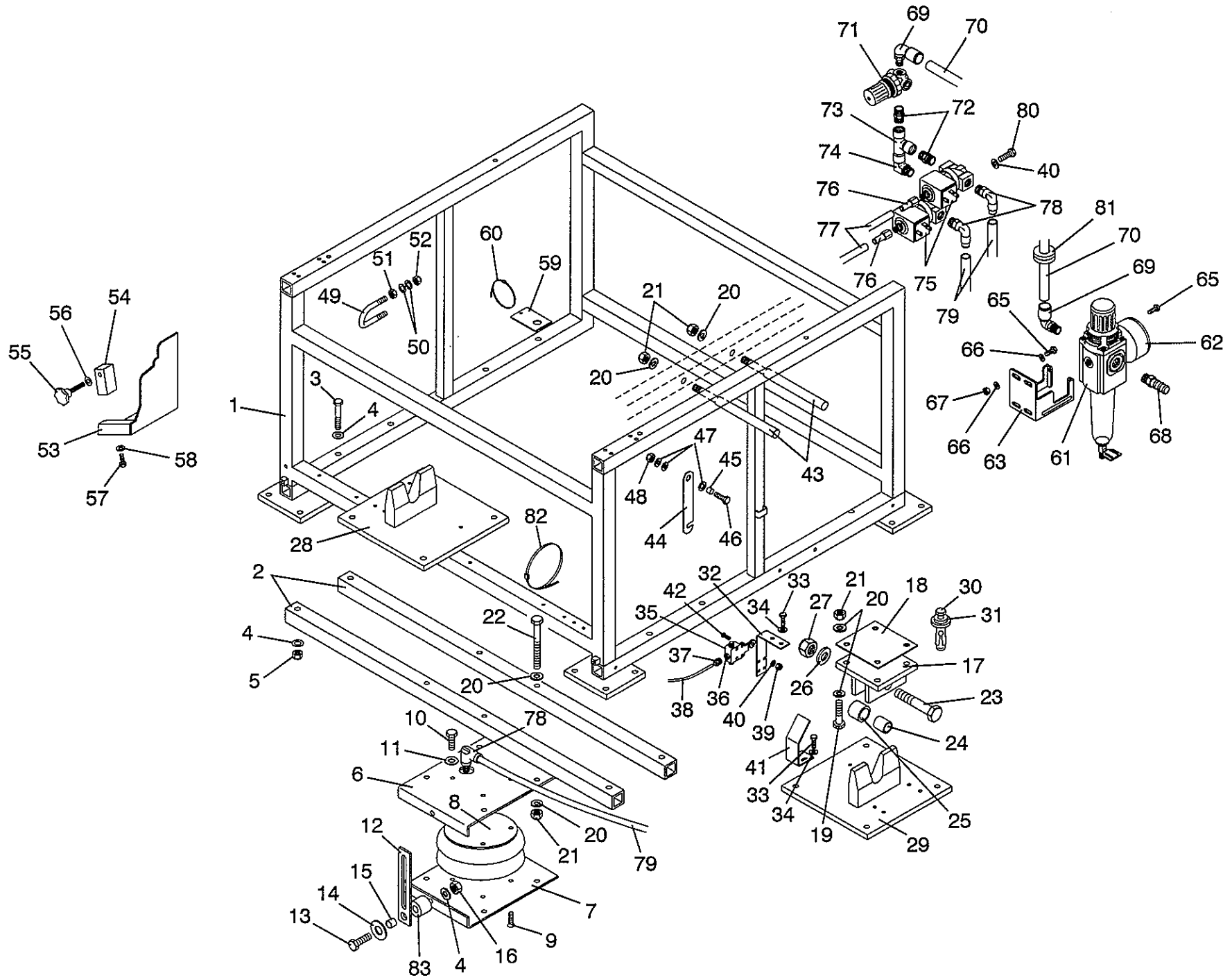


| N° | REF. | DENOMINATION | DENOMINACIÓN | DÉNOMINATION |
|----|--------|---|---|--|
| | | ELECTRIC HEATING KITS | KITS CALEFACCIÓN ELÉCTRICA | KITS CHAUFFAGE ELECTRIQUE |
| | 796268 | KIT E.H.FOR 200-208-220-230V | KIT CAL.ELEC.200-208-220-230V | KIT CH.E.POUR 200-208-220-230V |
| | 796276 | KIT E.H.FOR 240V | KIT CAL.ELEC.240V | KIT CH.E.POUR 240V |
| | 796284 | KIT E.H.FOR 380-400V | KIT CAL.ELEC.380-400V | KIT CH.E.POUR 380-400V |
| | 796292 | KIT E.H.FOR 415V | KIT CAL.ELEC.415V | KIT CH.E.POUR 415V |
| 1 | 321232 | HEATER 230V 5500W (FOR 200-208-220-230-380-400V) | CALEFACTOR 230V 5500W (PARA 200-208-220-230-380-400V) | RESISTANCE 230V 5500W (POUR 200-208-220-230-380-400V) |
| | 321224 | HEATER 240V 5500W (FOR 240 AND 415V) | CALEFACTOR 240V 5500W (PARA 240 Y 415V) | RESISTANCE 240V 5500W (POUR 240 ET 415V) |
| 2 | 321562 | CONTACTOR 3RT10 35-1LA2 | CONTACTOR 3RT10 35-1AL2 | CONTACTEUR 3RT10 35-1AL2 |
| | 328567 | COIL 3RT1935-5AL21 230-50/60 | BOBINA 3RT1935-5AL21 230-50/60 | BOBINE 3RT1935-5AL21 230-50/60 |
| 3 | 321562 | CONTACTOR 3RT10 35-1LA2 (FOR 200-208-220-230-240V) | CONTACTOR 3RT10 35-1AL2 (PARA 200-208-220-230-240V) | CONTACTEUR 3RT10 35-1AL2 (POUR 200-208-220-230-240V) |
| | 328567 | COIL 3RT1935-5AL21 230-50/60 | BOBINA 3RT1935-5AL21 230-50/60 | BOBINE 3RT1935-5AL21 230-50/60 |
| 4 | 306431 | FUSE HOLDER 32A 10X38 | PORTAFUSIBLES 32A 10X38 1P | PORTE-FUSIBLE 32A 10X38 |
| 5 | 307173 | FUSE GG 10X38 16A (FOR 380-400-415-440V) | FUSIBLE GG 10X38 16A G200750 (PARA 380-400-415-440V) | FUSIBLE GG 10X38 16A (POUR 380-400-415-440V) |
| | 321067 | FUSE GC 10X38 32A A214107 (FOR 200-208-220-230-240V) | FUSIBLE GG 10X38 32A A214107 (PARA 200-208-220-230-240V) | FUSIBLE GC 10X38 32A A214107 (POUR 200-208-220-230-240V) |
| 6 | 344168 | SECTION SWITCH 63A (FOR 380-400-415-440V) | INTERRUPTOR SECCIONADOR 63A (PARA 380-400-415-440V) | INTERRUPTEUR SECTIONNEUR 63A (POUR 380-400-415-440V) |
| | 344192 | SECTION SWITCH 100A (FOR 200-208-220-230-240V) | INTERRUPTOR SECCIONADOR 100A (PARA 200-208-220-230-240V) | INTERRUPTEUR SECTIONNEUR 100A (POUR 200-208-220-230-240V) |



| N° | REF. | DENOMINATION | DENOMINACIÓN | DÉNOMINATION |
|----|--------|--|---|---|
| | | STEAM HEATING KITS | KITS CALEFACCIÓN VAPOR | KITS CHAUFFAGE VAPEUR |
| | 796300 | STEAM HEATING KIT 50HZ | KIT CAL.VAPOR 50HZ | KIT CHAUFFAGE VAPEUR 50HZ |
| | 796318 | STEAM HEATING KIT 60HZ | KIT CAL.VAPOR 60HZ | KIT CHAUFFAGE VAPEUR 60HZ |
| 1 | 214916 | STEAM DISTRIBUTOR | DISTRIBUIDOR VAPOR | DISTRIBUTEUR VAPEUR |
| 2 | 109777 | COPPER GASKET 1/2" | 12504 JUNTA COBRE 1/2" | JOINT CUIVRE 1,2" |
| 3 | 217745 | STEAM INLET RACCORD | RACOR ENTRADA VAPOR | RACCORD ENTREE VAPEUR |
| 4 | 175000 | STEAM INLET JOINTING | UNION ENTRADA VAPOR | UNION ENTREE VAPEUR |
| 5 | 175018 | STEAM INLET JOINTING | UNION ENTRADA VAPOR | UNION ENTREE VAPEUR |
| 6 | 176479 | COUPLING SCREW 3/4" | 10904 TORNILLO UNION MM3/4" | VIS UNION 3/4" |
| 7 | 129502 | ELBOW FIG. 92 3/4" GALV. | FIGURA 92 DE 3/4" GALV. | COUDE FIG. 92 3/4" GALV. |
| 8 | 176461 | FIG. 221 3/4" GALV. | FIGURA 221 DE 3/4" GALV. | FIG. 221 3/4" GALV. |
| 9 | 130005 | INNER SLEEVE FIG.531 3/4" GALV | FIGURA 531 DE 3/4" GALV. | MANCHON INTERIEUR FIG.531 3/4" |
| 10 | 319566 | ELECTR-032U3006/84 3/4" 220/50 (FOR 50HZ) (COIL INCLUDED) | ELECT.032U3006/84 3/4" 220/50 (PARA 50 HZ) (INCLUYE BOBINA) | ELECTR-032U3006/84 3/4" 220/50 (POUR 50 HZ) (COMPRIS BOBINE) |
| | 159806 | COIL 32K7771 220/50 (FOR 50HZ) | BOBINA DANFOSS 32K7771 220/50 (PARA 50 HZ) | BOBINE 32K7771 220/50 (POUR 50 HZ) |
| | 318071 | SPARE KIT EVSIS 20 032U3173 | KIT REPUES.EVSIS 20 032U3173 | KIT RECHANGE EVSIS 20 032U3173 |
| | 318048 | VALVE BODY, EVSIS 20 032U3096 (FOR 60HZ) (COIL NOT INCLUDED) | CUERPO VAL.EVSIS 20 032U3096 (PARA 60 HZ) (NO INCLUYE BOBINA) | CORPS VANNE EVSIS 20 032U3096 (POUR 60 HZ) (NON COMPRIS BOBINE) |
| | 405415 | COIL 240V 60HZ (FOR 60HZ) | BOBINA 240V.60HZ. (PARA 60 HZ) | BOBINE 240V 60HZ (POUR 60 HZ) |
| | 318071 | SPARE KIT EVSIS 20 032U3173 | KIT REPUES.EVSIS 20 032U3173 | KIT RECHANGE EVSIS 20 032U3173 |
| 11 | 244632 | STEAM INLET | ENTRADA VAPOR | ENTREE VAPEUR |
| 12 | 133736 | SCREWED FILTER 3/4" 0,3 PN16 | FILTRO COLAD. ROSC.3/4"0'3PN16 | FILTRE FILETE 3/4" 0,3 PN16 |
| 13 | 146233 | BICR.HEX SCREW DIN933-8 M6X15 | TOR.EX.DIN933-8.8 B.TRI.M 6X15 | VIS HEX DIN933-8.8 BICR.M6X15 |
| 14 | 149526 | BICR.WASHER B DIN125-ST 6,4 | ARAN.B DIN125-ST B.TRI. 6,4 | RONDELLE B DIN125-ST BICR.6,4 |
| 15 | 150227 | BICR HEX NUT DIN934-8 M6 | TUER.EX.DIN934-8 B.TRI.M 6 | ECROU HEX DIN934-8 BICR.M6 |
| 16 | 140319 | REDUCER PG 13'5-9 | REDUCTOR 130904 PG 13'5-9 | REDUCTEUR PG 13'5-9 |
| 17 | 140152 | RACCORD PG- 9 | RACOR PG- 9 REF.330904 | RACCORD PG- 9 |
| 18 | 139394 | PROTECTOR 1/480704-0 | PROTECTOR 1/480704-0 | PROTECTEUR 1/480704-0 |

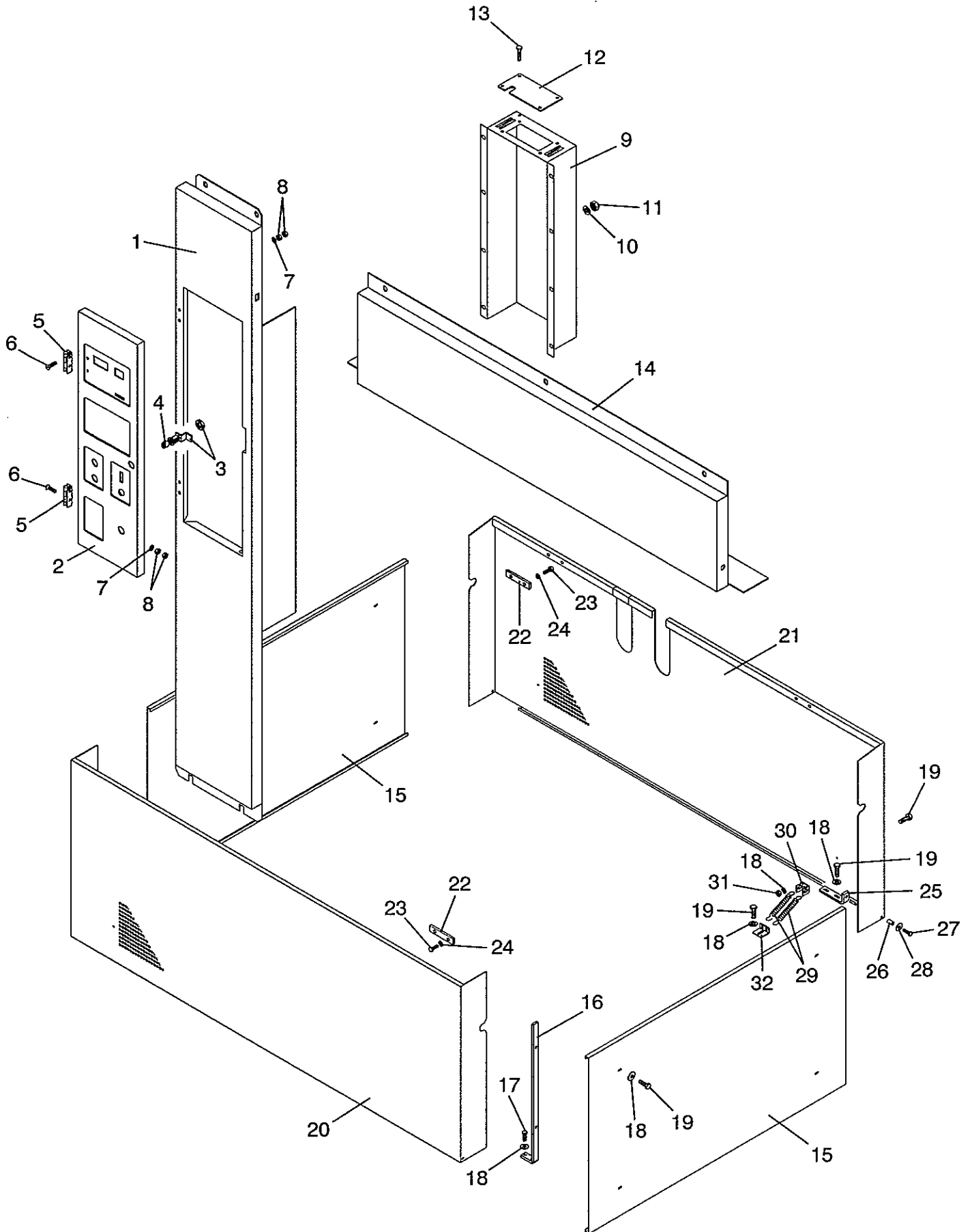
| N° | REF. | DENOMINATION | DENOMINACIÓN | DÉNOMINATION |
|----|--------|--|---|---|
| 19 | 140228 | COUNTERNUT PG-9 | TUERCA PG 280904 PG- 9 | CONTREECROU PG-9 |
| 20 | 140707 | HOSE HELIPLAST NO 9 REF.77009 (1 METER) | TUBO HELIPLAST NO. 9 REF.77009 (1 METRO) | TUBE HELIPLAST NO 9 REF.77009 (1 METRE) |
| 21 | 140525 | CLAMP 2244-0 | BRIDA UNEX 2244-0 | BRIDE 2244-0 |
| 22 | 306142 | STEAM INLET JOINTING (WITH TILTING) | UNION ENTRADA VAPOR (CON VOLQUETE) | UNION ENTREE VAPEUR (AVEC SOCLE BASCULANT) |
| 23 | 176479 | COUPLING SCREW 3/4" (WITH TILTING) | 10904 TORNILLO UNION MM3/4" (CON VOLQUETE) | VIS UNION 3/4" (AVEC SOCLE BASCULANT) |



| N° | REF. | DENOMINATION | DENOMINACIÓN | DÉNOMINATION |
|----|--------|--------------------------------|--------------------------------|--------------------------------|
| 1 | 289710 | FIX CHASSIS | CHASIS FIJO | CHASSIS FIXE |
| 2 | 287631 | ACTUATOR BEAM | VIGA ACTUADOR | POUTRE AGISSEMENT |
| 3 | 305433 | BICR.HEX.SCREW DIN931-8 M12X90 | TOR.EX.DIN931-8.8B.TRI.M12X 90 | VIS.HEX.DIN931-8.8 BICR.M12X90 |
| 4 | 149419 | BICR.WASHER B DIN125-ST 13 | ARAN.B DIN125-ST B.TRI.13 | RONDELLE B DIN125-ST BICR.13 |
| 5 | 150656 | SELFBLOCKING NUT DIN985 M-12 | TUER.AUTOB.DIN985-8 B.TRI.M12 | ECROU AUTOBLOCANT DIN985 M-12 |
| 6 | 293019 | ACTUATOR BRACKET | MENSULA ACTUADOR | SUPPORT ACTUATEUR |
| 7 | 293027 | ACTUATOR BRACKET | MENSULA ACTUADOR | SUPPORT ACTUATEUR |
| 8 | 305425 | PNEUMATIC DRIVE MOD.22 | ACCIONADOR NEUMATICO MOD.22 | ACTIONNEMENT PNEUMATIQUE MOD22 |
| 9 | 175653 | ALLEN SCREW 10.9 DIN7991M-8X25 | TOR.AV.ALL.10.9 DIN7991M 8X 25 | VIS ALLEN DIN 7991 10.9M-8X25 |
| 10 | 192849 | BIC.HEX SCREW DIN933-8 M-8X25 | TOR.EX.DIN933-8.8 B.TRI.M 8X25 | VIS HEX.DIN933-8,8 BICR.M-8X25 |
| 11 | 149518 | BICR.WASHER B DIN125-ST 8,4 | ARAN.B DIN125-ST B.TRI. 8,4 | RONDELLE.B DIN125-ST BICR.8,4 |
| 12 | 293050 | ACTUATOR COURSE LIMITATOR | LIMITADOR CARRERA ACTUADOR | LIMITATUER COURSE ACTUATEUR |
| 13 | 176172 | HEX SCREW 8G DIN 933 M-14X55 | TOR.EX.DIN933-8.8 B.TRI.M14X55 | VIS HEX. 8G DIN 933 M-14X55 |
| 14 | 219071 | WASHER 40X15X5 | ARANDELA 40X15X5 | RONDELLE 40X15X5 |
| 15 | 293126 | END PIECE COURSE LIMITATOR | TOPE LIMITADOR CARRERA | ARRET LIMITEUR COURSE |
| 16 | 150342 | BICR.HEX.NUT REB.DIN934-8 M 14 | TUER.EX.RB.DIN936-8 B.TRI.M14 | ECROU HEX.REB DIN936-8 BIC.M14 |
| 17 | 257865 | TILTING HINGE | CHARNELA BASCULANTE | CHARNIERE BASCULANT |
| 18 | 259614 | HOLDING-DOWN SUPPLEMENT | SUPLEMENTO ANCLAJE | SUPPLEMENT SCELLEMENT |
| 19 | 176172 | HEX SCREW 8G DIN 933 M-14X55 | TOR.EX.DIN933-8.8 B.TRI.M14X55 | VIS HEX. 8G DIN 933 M-14X55 |
| 20 | 149393 | BICR WASHER B DIN125-ST 15 | ARAN.B DIN125-ST B.TRI.15 | RONDELLE B BICR DIN125-ST 15 |
| 21 | 164350 | SELFBLOCKING NUT DIN-985 M-14 | TUER.AUTOB.DIN985-8 B.TRI.M14 | ECROU AUTOBLOCANT DIN985 M-14 |
| 22 | 147033 | BIC.HEX SCREW DIN931-8 M14X130 | TOR.EX.DIN931-88 B.TRI.M14X130 | VIS HEX BICR DIN931-8 M14X130 |
| 23 | 146993 | BIC.HEX SCREW DIN931-8 M20X100 | TOR.EX.DIN931-88 B.TRI.M20X100 | VIS HEX DIN931-8 BICR.M20X100 |
| 24 | 257873 | ARTICULATION SLEEVE | CASQUILLO ARTICULACION | FRETTE ARTICULATION |
| 25 | 187245 | SELFOIL SLEEVE B11A40-50-40 | COJ. SELFOIL B11A40-50-40 | FRETTE SELFOIL B11A40-50-40 |
| 26 | 149427 | BICR WASHER B DIN125-ST 21 | ARAN.B DIN125-ST B.TRI.21 | RONDELLE B BICR.DIN125-ST 21 |
| 27 | 186866 | SELF-BLOCKING NUT DIN985 M20 | TUER.AUTOBL.DIN985-8B.TRI.M20 | ECROU AUTOBLOCANT DIN985 M20 |
| 28 | 283184 | HOLDING-DOWN PIECE | HORQUILLA ANCLAJE | PIECE SCELLEMENT |
| 29 | 283242 | HOLDING-DOWN PIECE | HORQUILLA ANCLAJE | PIECE SCELLEMENT |
| 30 | 189746 | METALLIC END PIECE REIDO T-17 | TACO METALICO REIDO T-17 | ARRET METALLIQUE REIDO T-17 |

| N° | REF. | DENOMINATION | DENOMINACIÓN | DÉNOMINATION |
|----|--------|--|---|--|
| 31 | 110726 | WASHER | ARANDELA 34X13X4 | RONDELLE |
| 32 | 283044 | END OF COURSE BRACKET | SOPORTE FINAL DE CARRERA | SUPPORT FIN DE COURSE |
| 33 | 146233 | BICR.HEX SCREW DIN933-8 M6X15 | TOR.EX.DIN933-8.8 B.TRI.M 6X15 | VIS HEX DIN933-8.8 BICR.M6X15 |
| 34 | 149526 | BICR.WASHER B DIN125-ST 6,4 | ARAN.B DIN125-ST B.TRI. 6,4 | RONDELLE B DIN125-ST BICR.6,4 |
| 35 | 302315 | END OF COURSE M4VH 355-20Z | FINAL CARRERA M4VH 355-20Z | FIN DE COURSE M4VH 355-20Z |
| 36 | 140319 | REDUCER PG 13'5-9 | REDUCTOR 130904 PG 13'5-9 | REDUCTEUR PG 13'5-9 |
| 37 | 140152 | RACCORD PG- 9 | RACOR PG- 9 REF.330904 | RACCORD PG- 9 |
| 38 | 140707 | HOSE HELIPLAST NO 9 REF.77009 (1 METER) | TUBO HELIPLAST NO. 9 REF.77009 (1 METRO) | TUBE HELIPLAST NO 9 REF.77009 (1 METRE) |
| 39 | 176826 | SELF-BLOCKING NUT DIN 985 M-5 | TUER.AUTOBL.DIN985-8 B.TRI.M5 | ECROU AUTOBLOCANT DIN 985 M-5 |
| 40 | 149534 | BICR.WASHER B DIN125-ST 5,3 | ARAN.B DIN125-ST B.TRI. 5,3 | RONDELLE B BICR.DIN125-ST 5,3 |
| 41 | 283069 | END OF COURSE DRIVE | ACCIONADOR FINAL DE CARRERA | ACCIONNEMENT FIN DE COURSE |
| 42 | 145748 | SCREW DIN85 INOX A2-70 M 5X 40 | TOR.PLA.DIN85 INOX A2-70 M5X45 | VIS P DIN85 INOX A2-70 M 5X 40 |
| 43 | 289082 | SUSPENDED SET END-PIECE | TOPE GRUPO FLOTANTE | ARRET GROUPE SUSPENDU |
| 44 | 258228 | DOOR HOOK | GANCHO ESCOTILLA | CROCHET HUBLLOT |
| 45 | 189696 | SELFOIL SLEEVE B11A 6-10-5 | COJ. SELFOIL B11A 6-10- 5 | FRETTE SELFOIL B11A 6-10-5 |
| 46 | 144915 | INOX HEX SCREW DIN933 M 6X25 | TOR.EX.DIN933INOX A2-70 M 6X25 | VIS HEX INOX DIN933 M 6X25 |
| 47 | 149310 | INOX.A2 WASHER DIN125 6,4 | ARAN. DIN125 INOX A2 6,4 | RONDELLE INOX.A2 DIN125 6,4 |
| 48 | 176834 | SELFBLOCKING NUT DIN985 M-6 | TUER.AUTOBL.DIN985-8 B.TRI.M6 | ECROU AUTOBLOCANT DIN985 M-6 |
| 49 | 258210 | DOOR HOOK FIXING | SUJECCION GANCHO ESCOTILLA | FIXATION CROCHET HUBLLOT |
| 50 | 149328 | INOX A2 WASHER DIN 125 4,3 | ARAN. DIN125 INOX A2 4,3 | RONDELLE INOX A2 DIN 125 4,3 |
| 51 | 149922 | INOX HEX. NUT DIN 934 M-4 | TUER.EX.DIN934 INOX A2-70 M 4 | ECROU HEX. INOX DIN 934 M-4 |
| 52 | 176792 | INOX SELF-BLOCK.NUT DIN985 M 4 | TUER.AUTOBL.DIN985 INOX M 4 | ECROU AUTOBLOC.INOX DIN985 M 4 |
| 53 | 284950 | KNOB PROTECTION | PROTECCION EMPUÑADURA | PROTECTION POIGNEE |
| 54 | 288043 | KNOB PROTECTION PIECE | PIEZA PROTECCION EMPUÑADURA | PIECE PROTECTION POIGNEE |
| 55 | 304394 | KNOB 1126.E DIN 6336.D | POMO 1126.E DIN 6336.D M8X47 | POIGNEE 1126.E DIN 6336.D |
| 56 | 149351 | INOX A2 WASHER DIN 125 8,4 | ARAN. DIN125 INOX A2 8,4 | RONDELLE INOX A2 DIN 125 8,4 |
| 57 | 144774 | INOX HEX SCREW DIN 933 M-5X10 | TOR.EX.DIN933INOX A2-70 M 5X10 | VIS HEX INOX DIN 933 M-5X10 |
| 58 | 149369 | INOX A2 WASHER DIN 125 5,3 | ARAN. DIN125 INOX A2 5,3 | RONDELLE INOX A2 DIN 125 5,3 |
| 59 | 288480 | HARNESS BRACKET | SOPORTE CABLEADO | SUPPORT CABLAGE |

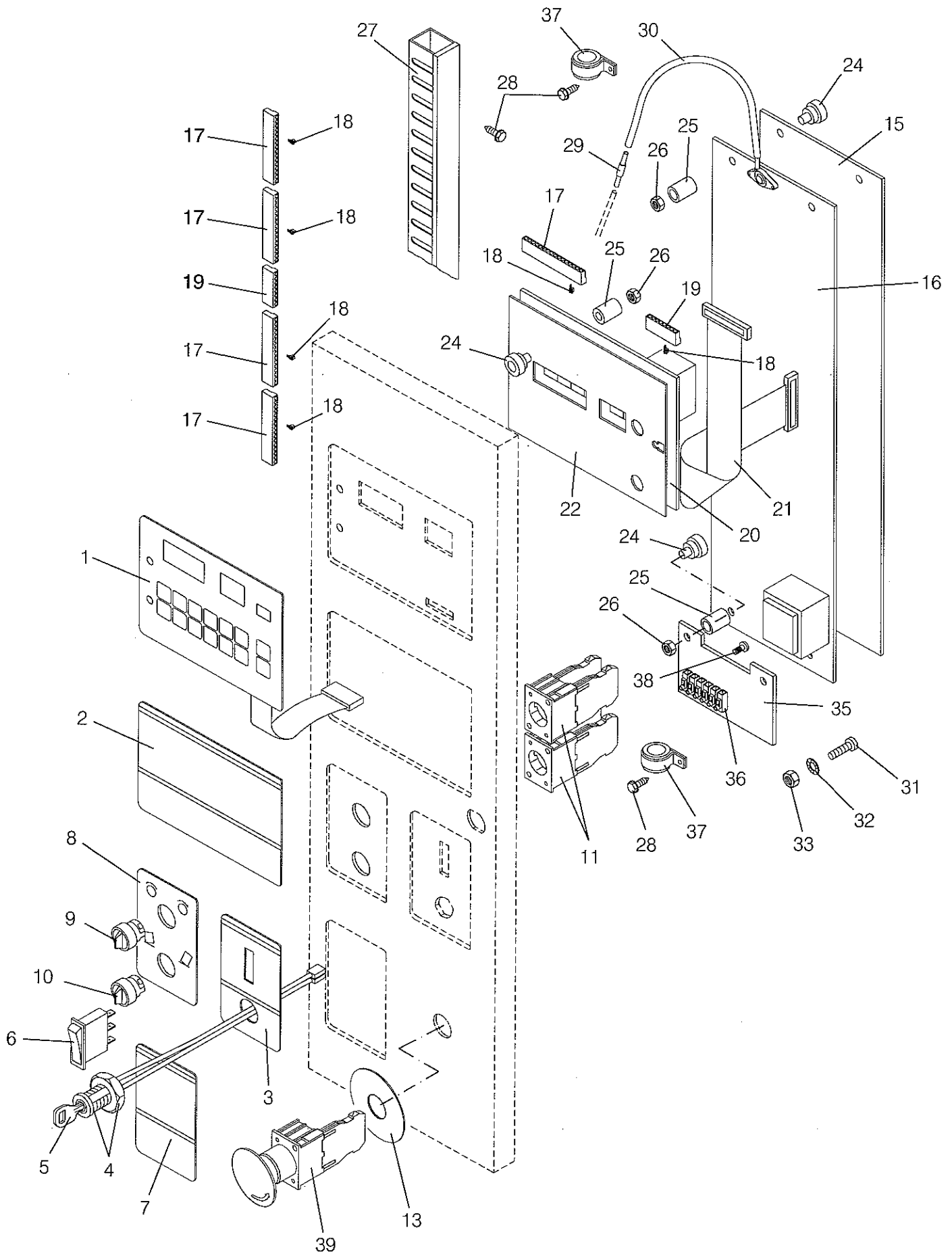
| N° | REF. | DENOMINATION | DENOMINACIÓN | DÉNOMINATION |
|----|--------|--|--|--|
| 60 | 140525 | CLAMP 2244-0 | BRIDA UNEX 2244-0 | BRIDE 2244-0 |
| 61 | 307371 | REG.FILTER B72G-2GK-QT3-RMN | FILTRO/REGUL.B72G-2GK-QT3-RMN | FILTRE/REG.B72G-2GK-QT3-RMN |
| 62 | 186593 | MANOMETER 3-50/10/A | MANOMETRO 3-50/10/A | MANOMETRE 3-50/10/A |
| 63 | 307389 | STD AY-4224-50 BRACKET | SOPORTE STANDARD AY-4224-50 | SUPPORT STD AY-4224-50 |
| 65 | 146258 | BIC.HEX SCREW DIN933-4.8 M4X10 | TOR.EX.DIN933-4.8 B.TRI.M 4X10 | VIS HEX DIN933-4.8 BICR.M 4X10 |
| 66 | 149476 | BICR.WASHER B DIN125-ST 4,3 | ARAN.B DIN125-ST B.TRI. 4,3 | RONDELLE B DIN125-ST BICR.4,3 |
| 67 | 150185 | BICR.HEX.NUT DIN934-8 M4 | TUER.EX.DIN934-8 B.TRI.M 4 | ECROU HEX.DIN934-8 BICR.M4 |
| 68 | 186619 | SLEEVE 1/4" REF. 1231013 | ESPIGA ROSCADA 1/4"REF.1231013 | MANCHON 1/4" REF. 1231013 |
| 69 | 186627 | ELBOW CONNECTION RE.3109.10.13 | CONEXION CODO REF.3109.10.13 | CONNEXION COUDE REF.3109.10.13 |
| 70 | 186635 | NYLON HOSE D10X8 CETOP TYPE (1 METER) | TUBO NYLON D10X8 TIPO CETOP (1 METRO) | TUBE NYLON D10X8 TYPE CETOP (1 METRE) |
| 71 | 167882 | PRESSURE REGULATOR R06-200 | REGULADOR PRESION R07-200RNKG | REGULATEUR PRESSION R06-200 |
| 72 | 130666 | CONIC THREADED JOINTING | 405002 UNION ROSCA CONICA | UNION FILETE CONIQUE |
| 73 | 130898 | 508002 RACCORD IN T | 508002 RACOR EN T | 508002 RACCORD EN T |
| 74 | 189829 | MALE ELBOW RE. 152.13.13 | CODO MACHO REF.152.13.13 | COUDE MALE REF. 152.13.13 |
| 75 | 186700 | ELECTROVALVE 131K03E/1865 (FOR 50HZ) | ELECT.LUC.131K03E/1865 220V/50 (PARA 50 HZ) | ELECTROVANNE 131K03E/1865 (POUR 50 HZ) |
| | 190785 | LUCIFER COIL 1865/220/50 (FOR 50HZ) | BOBINA LUCIFER 1865/220/50 (PARA 50 HZ) | BOBINE LUCIFER 1865/220/50 (POUR 50 HZ) |
| | 186718 | ELECTROVALVE 131K03E/1865 (FOR 60HZ) | ELECT.LUC.131K03E/1865 230V/60 (PARA 60 HZ) | ELECTROVANNE LUC. 131K03E/1865 (POUR 60 HZ) |
| | 190793 | LUCIFER COIL 1865/230/60 (FOR 60HZ) | BOBINA LUCIFER 1865/230/60 (PARA 60 HZ) | BOBINE LUCIFER 1865/230/60 (POUR 60 HZ) |
| 76 | 187260 | FEMALE CONNECTION | CONEXION HEMBRA REF.3114.06.10 | CONNEXION FEMELLE |
| 77 | 128140 | NYLON HOSE D6X4 TYPE CETOP (1 METER) | TUBO NYLON D6X4 TIPO CETOP (1 METRO) | TUBE NYLON D6X4 TYPE CETOP (1 METRE) |
| 78 | 186692 | ELBOW CONNECTION RE.3109.08.13 | CONEXION CODO REF.3109.08.13 | CONNEXION COUDE REF.3109.08.13 |
| 79 | 128173 | NYLON HOSE D8X6 TYPE CETOP (1 METER) | TUBO NYLON D8X6 TIPO CETOP (1 METRO) | TUBE NYLON D8X6 TYPE CETOP (1 METRE) |
| 80 | 146274 | BICR.HEX SCREW DIN933-8 M-5X10 | TOR.EX.DIN933-8.8 B.TRI.M 5X10 | VIS HEX.BICR.DIN933-8.8 M-5X10 |
| 81 | 157198 | THERMOSTAT SHEATH LODGING | PASAMUROS TERMOSTATO | LOGEMENT THERMOSTAT |
| 82 | 140533 | CLAMP 2271-0 | BRIDA UNEX 2271-0 | BRIDE 2271-0 |
| 83 | 290346 | COURSE LIMITATOR END-PIECE | TOPE LIMITADOR CARRERA | ARRET LIMITATEUR COURSE |



| N° | REF. | DENOMINATION | DENOMINACIÓN | DÉNOMINATION |
|----|--------|--|---|---|
| 1 | 287565 | LEFT FRONT COVER (RED PAINTED) | TAPA FRONTAL IZQUIERDA (PINTADA ROJA) | COUVERCLE FRONTAL GAUCHE (PEINTE ROUGE) |
| | 287557 | LEFT FRONT COVER (GREY PAINTED) | TAPA FRONTAL IZQUIERDA (PINTADA GRIS) | COUVERCLE FRONTAL GAUCHE (PEINTE GRIS) |
| | 287581 | LEFT FRONT COVER (INOX) | TAPA FRONTAL IZQUIERDA (INOX) | COUVERCLE FRONTAL GAUCHE (INOX) |
| 2 | 276675 | SIDE CONTROL PANEL | PANEL DE MANDOS LATERAL | PANNEAU COMMANDES LATERAL |
| 3 | 196915 | LOCK RE.20.00.02.05 (KEYS INCLUDED) | CERRADURA REF.20.00.02.05 (INCLUYE LLAVES) | FERMETURE REF.20.00.02.05 (CLES COMPRISES) |
| 4 | 196923 | LOCK KEY RE.10.41.213 | LLAVE REF.10.41.213 COMB.T-205 | CLE FERMETURE REF.10.41.213 |
| 5 | 176800 | HINGE RE 15186 CHROMED | BISAGRA PINET 72-7-3329 CROM. | CHARNIERE 15186 CHROM |
| 6 | 144758 | INOX LENS HEAD S.DIN963 M 3X15 | TOR.AV.DIN963 INOX A2-70 M3X16 | VIS T/FRAI.INOX DIN963 M 3X15 |
| 7 | 152132 | INOX A2 WASHER DIN 125 | ARAN. DIN125 INOX A2 3,2 | RONDELLE INOX A2 DIN 125 3,2 |
| 8 | 149906 | INOX. HEX. NUT DIN 934 M-3 | TUER.EX.DIN934 INOX A2-70 M 3 | ECROU HEX. INOX DIN934 M-3 |
| 9 | 409045 | CONTROL PANEL BOX | CAJA PANEL DE MANDOS | BOITE PANNEAU COMMANDES |
| 10 | 149369 | INOX A2 WASHER DIN 125 5,3 | ARAN. DIN125 INOX A2 5,3 | RONDELLE INOX A2 DIN 125 5,3 |
| 11 | 149914 | INOX HEX. NUT DIN 934 M-5 | TUER.EX.DIN934 INOX A2-70 M 5 | ECROU HEX. INOX DIN 934 M-5 |
| 12 | 283564 | PANEL BOX COVER | TAPA CAJA PANEL | COUVERCLE BOITE TABLEAU |
| 13 | 144832 | INOX.HEX.SCREW DIN 933 M-4X10 | TOR.EX.DIN933INOX A2-70 M 4X10 | VIS HEX INOX. DIN 933 M-4X10 |
| 14 | 287599 | UPPER FRONT PANEL | PANEL FRONTAL SUPERIOR | PANEAU FRONTAL SUPERIEUR |
| 15 | 287623 | SIDE PROTECTION COVER | TAPA PROTECCION LATERAL | COUVERCLE PROTECTION LATERAL |
| 16 | 283093 | SIDE PANEL BRACKET | SOPORTE TAPAS LATERALES | SUPPORT COUVERCLE LATERAL |
| 17 | 146316 | BICR.HEX SCREW DIN933-8 M-6X20 | TOR.EX.DIN933-8.8 B.TRI.M 6X20 | VIX HEX BICR.DIN933-8.8 M-6X20 |
| 18 | 149526 | BICR.WASHER B DIN125-ST 6,4 | ARAN.B DIN125-ST B.TRI. 6,4 | RONDELLE B DIN125-ST BICR.6,4 |
| 19 | 146233 | BICR.HEX SCREW DIN933-8 M6X15 | TOR.EX.DIN933-8.8 B.TRI.M 6X15 | VIS HEX DIN933-8.8 BICR.M6X15 |
| 20 | 287607 | FRONT PROTECTION COVER | TAPA PROTECCION ANTERIOR | COUVERCLE PROTECTION FRONTAL |
| 21 | 287615 | REAR PROTECTION COVER | TAPA PROTECCION POSTERIOR | COUVERCLE PROTECTION ARRIERE |
| 22 | 289397 | COVERS SEPARATOR | SEPARADOR TAPAS | SEPARATEUR COUVERCLES |
| 23 | 146241 | BICR.HEX SCREW DIN933-8.8 M4X6 | TOR.EX.DIN933-4.8 B.TRI.M 4X 6 | VIS HEX DIN933-8.8 BICR M 4X 6 |
| 24 | 149476 | BICR.WASHER B DIN125-ST 4,3 | ARAN.B DIN125-ST B.TRI. 4,3 | RONDELLE B DIN125-ST BICR.4,3 |
| 25 | 283127 | PANEL HINGE | CHARNELA TAPA | CHARNIERE COUVERCLE |
| 26 | 276527 | LOCK END-PIECE | TOPE CIERRE | ARRET FERMETURE |

HS-4055 406769B 13B

| N° | REF. | DENOMINATION | DENOMINACIÓN | DÉNOMINATION |
|----|--------|-------------------------------|--------------------------------|-----------------------------|
| 27 | 144923 | INOX HEX.SCREW DIN 933 M-6X20 | TOR.EX.DIN933INOX A2-70 M 6X20 | VIS HEX INOX DIN 933 M-6X20 |
| 28 | 115758 | WASHER 20X7X2 | ARANDELA 20X7X2 | RONDELLE 20X7X2 |
| 29 | 177329 | FINGER PROTECTION SPRING | MUELLE GUARDAMANOS | RESSORTS PROTECTION DOIGTS |
| 30 | 283085 | SPRING FIXING-PIECE | FIJACION MUELLE | FIXATION RESSORT |
| 31 | 150227 | BICR HEX NUT DIN934-8 M6 | TUER.EX.DIN934-8 B.TRI.M 6 | ECROU HEX DIN934-8 BICR.M6 |
| 32 | 289116 | SPRING FIXING | FIJACION MUELLE | FIXATION RESSORT |

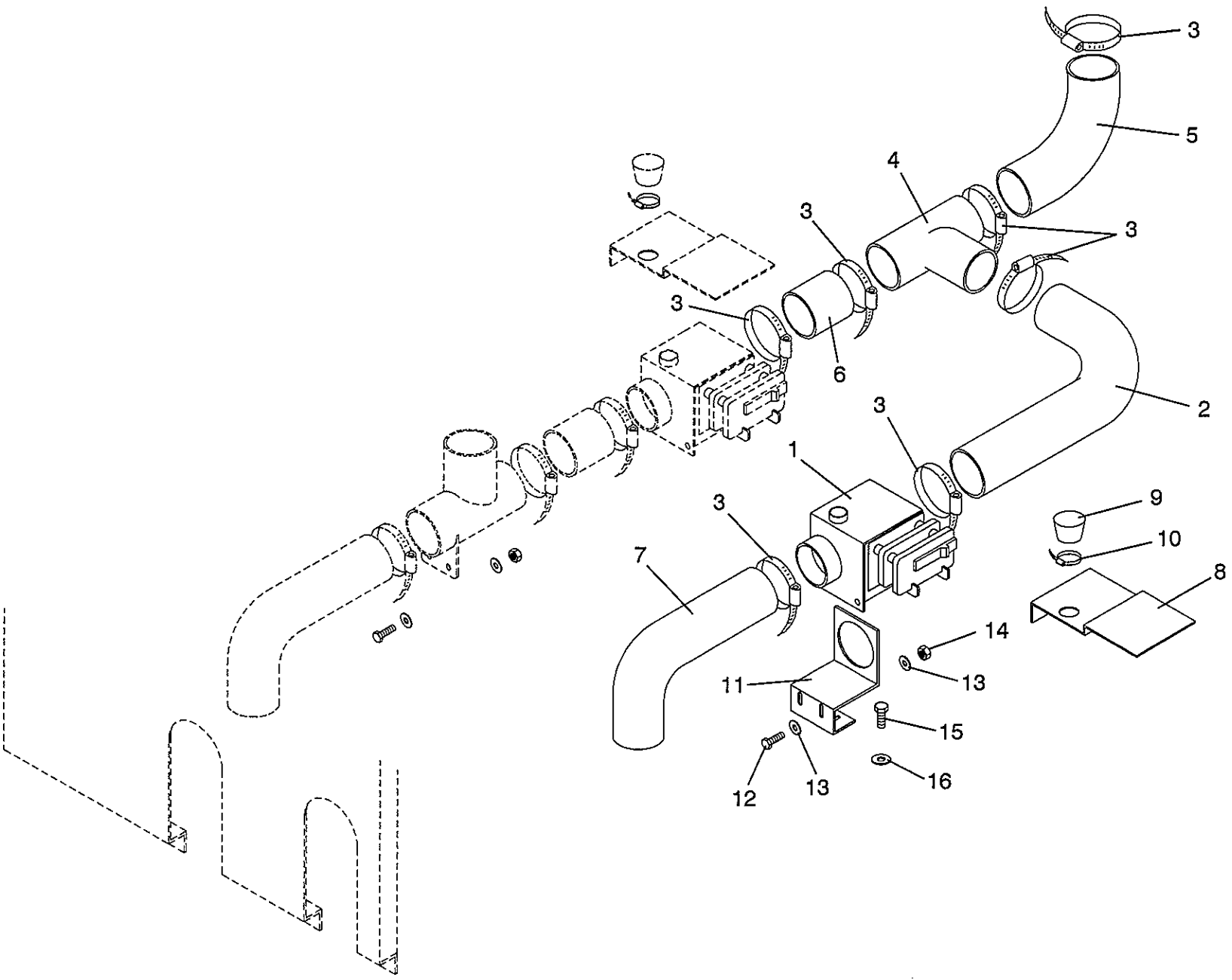


| N° | REF. | DENOMINATION | DENOMINACIÓN | DÉNOMINATION |
|----|--------|------------------------------------|--|---|
| 1 | 289249 | PM WASHER KEYBOARD | TECLADO LAVADORA PM | CLAVIER LAVEUSE PM |
| 2 | 301440 | ENGLISH OPERATION INSTR.PLATE | PLACA INSTR.FUNCION. IN. | PLAQUE INSTR.FONCTION ANGLAIS |
| | 301457 | SPANISH OPERATION INSTR.PLATE | PLACA INSTR.FUNCION. ES. | PLAQUE INSTR.FONCTION ESPAGNOL |
| | 301465 | FRENCH OPERATION INSTR.PLATE | PLACA INSTR.FUNCION. FR. | PLAQUE INSTR.FONCTION FRANCAIS |
| | 301473 | GERMAN OPERATION INSTR.PLATE | PLACA INSTR.FUNCION. AL. | PLAQUE INSTR.FONCTION ALLEMAND |
| | 301481 | ITALIAN OPERATION INSTR.PLATE | PLACA INSTR.FUNCION. IT. | PLAQUE INSTR.FONCTION ITALIEN |
| | 301499 | PORTUGUESE OPERATION INST.PLAT | PLACA INSTR.FUNCION. PO. | PLAQUE INST.FONCTION PORTUGAIS |
| | 301507 | DUTCH OPERATION INSTR.PLATE | PLACA INSTR.FUNCION. HO. | PLAQUE INSTR.FONCTION HOLLAND. |
| | 301515 | DANISH OPERATION INSTR.PLATE | PLACA INSTR.FUNCION. DA. | PLAQUE INSTR.FONCTION DANOIS |
| | 301523 | FINNISH OPERATION INSTR.PLATE | PLACA INSTR.FUNCION. FI. | PLAQUE INSTR.FONCTION FINLAND. |
| | 301531 | NORWEGIAN OPERATION INSTR.PLAT | PLACA INSTR.FUNCION. NO. | PLAQUE INSTR.FONCTION NORVÉG. |
| | 301549 | SWEDISH OPERATION INSTR.PLATE | PLACA INSTR.FUNCION. SU. | PLAQUE INSTR.FONCTION SUÉDOIS |
| | 301556 | GREEK OPERATION INSTR.PLATE | PLACA INSTR.FUNCION. GR. | PLAQUE INSTR.FONCTION GREC |
| | 301564 | JAPENESE OPERATION INSTR.PLATE | PLACA INSTR.FUNCION. JA. | PLAQUE INSTR.FONCTION JAPONAIS |
| 3 | 301994 | GENERAL CONTROL PLATE | PLACA MANDOS GENERALES | PLAQUE COMMANDES GENERALES |
| 4 | 256230 | FUNCTION SWITCH (KEYS INCLUDED) | CONMUTADOR FUNCIONES (INCLUYE LLAVES) | COMMUTATEUR FONCTIONS (CLES COMPRISES) |
| 5 | 189480 | KEY FOR LOCK 3355/13 | LLAVE PARA CERRADURA 3355/13 | CLE POUR FERMETURE 3355/13 |
| 6 | 300780 | SWITCH 1WIXII/3359 WHITE | INTER.PILOTO 1WIXII/3359 BLANC | INTERRUPTEUR 1WIXII/3359 BLANC |
| 7 | 301069 | ENGLISH SAFETY INSTR.PLATE | PLACA INSTR.SEGURIDAD IN. | PLAQUE INSTR.SECURITE ANGLAIS |
| | 301077 | SPANISH SAFETY INSTR.PLATE | PLACA INSTR.SEGURIDAD ES. | PLAQUE INSTR.SECURITE ESPAGNOL |
| | 301085 | FRENCH SAFETY INSTR.PLATE | PLACA INSTR.SEGURIDAD FR. | PLAQUE INSTR.SECURITE FRANCAIS |
| | 301093 | GERMAN SAFETY INSTR.PLATE | PLACA INSTR.SEGURIDAD AL. | PLAQUE INSTR.SECURITE ALLEMAND |
| | 301101 | ITALIAN SAFETY INSTR.PLATE | PLACA INSTR.SEGURIDAD IT. | PLAQUE INSTR.SECURITE ITALIEN |
| | 301119 | PORTUGUESE SAFETY INSTR.PLATE | PLACA INSTR.SEGURIDAD PO. | PLAQUE INST.SECURITE PORTUGAIS |
| | 301127 | DUTCH SAFETY INSTR.PLATE | PLACA INSTR.SEGURIDAD HO. | PLAQUE INSTR.SECURITE HOLLAND. |
| | 301135 | DANISH SAFETY INSTR.PLATE | PLACA INSTR.SEGURIDAD DA. | PLAQUE INSTR.SAFETY DANOIS |
| | 301143 | FINNISH SAFETY INSTR.PLATE | PLACA INSTR.SEGURIDAD FI. | PLAQUE INSTR.SECURITE FINLAND. |
| | 301150 | NORWEGIAN SAFETY INSTR.PLATE | PLACA INSTR.SEGURIDAD NO. | PLAQUE INST.SECURITE NORVÉGIEN |
| | 301168 | SWEDISH SAFETY INSTR.PLATE | PLACA INSTR.SEGURIDAD SU. | PLAQUE INSTR.SECURITE SUÉDOIS |

| N° | REF. | DENOMINATION | DENOMINACIÓN | DÉNOMINATION |
|----|--------|--------------------------------|--------------------------------|--------------------------------|
| | 301176 | GREEK SAFETY INSTR.PLATE | PLACA INSTR.SEGURIDAD GR. | PLAQUE INSTR.SECURITE GREC |
| | 301184 | JAPENESE SAFETY INSTR.PLATE | PLACA INSTR.SEGURIDAD JA. | PLAQUE INSTR.SECURITE JAPONAIS |
| 8 | 302034 | TILTING CONTROL PLATE | PLACA MANDOS BASCULANTE | PLAQUE COMMANDES BASCULANT |
| 9 | 189803 | DRIVE 3SB10 00-2EC01 | MULETILLA3SB1000-2EC01(341644) | ACTIONNEMENT 3SB10 00-2EC01 |
| 10 | 189761 | DRIVE 3SB10 00-2DC01 | MULETILLA 3SB10 00-2DC01 | ACTIONNEMENT 3SB10 00-2DC01 |
| 11 | 189811 | CONNECTION ELEMENT 3SB13 00-03 | ELEMENTO CONEXION 3SB13 00-0E | ELEMENT CONNEXION 3SB13 00-03 |
| 12 | 192310 | MUSHROOM PUSH-BUTTON | PUL.HONGO ENCL.3SB10 (341529) | PULSATEUR TYPE COUP DE POING |
| 13 | 192294 | YELLOW RING | ARO AMARILLO | BAGUE JAUNE |
| 14 | 197343 | CONNECTION ELEMENT 3SB13 20-0A | ELEMENTO CONEXION 3SB13 20-0A | ELEMENT CONNEXION 3SB13 20-0A |
| 15 | 278317 | PROCESSOR ISOLATOR | AISLANTE MICROPROCESADOR | ISOLANT MICROPROCESSEUR |
| 16 | 318170 | MICROPROCESSOR BOARD PM | PLACA MICROPROCESADOR PM VR | PLAQUE MICROPROCESSEUR PM |
| | 320655 | WASHER-EXTRACTOR EPROM PM4 V04 | EPROM LAVADORAS PM4 VER04 | EPROM LAVEUSES PM4 VER04 |
| | 187195 | RAM ZERO POWER MK48Z08-10 | RAM ZERO POWER MK48Z08-10 | RAM ZERO POWER MK48Z08-10 |
| | 187203 | INPUT OPTOISOLATOR 4N35 | OPTOACOPLADOR ENTRADA 4N35 | OPTOISOLATOR ENTREE 4N35 |
| | 187211 | OUTPUT OPTOISOLATOR S21MD4V | OPTOACOPLADOR SALIDA | OPTOISOLATOR SORTIE S21MD4V |
| 17 | 197301 | PROTECTOR AMP-UNYT 1-640029-6 | PROTECTOR AMP-UNYT 1-640029-6 | PROTECTEUR AMP-UNYT 1-640029-6 |
| 18 | 197426 | POLARIZATION AMP 640180-1 | POSICIONADOR AMP 640180-1 | POLARIZATION AMP 640180-1 |
| 19 | 199810 | PROTECTOR AMP-UNYT 640029-8 | PROTECTOR AMP-UNYT 640029-8 | PROTECTEUR AMP-UNYT 640029-8 |
| 20 | 302091 | TILTING-DISPLAY PLATE | PLACA DISPLAY-BASCULANTE | PLAQUE DISPLAY-BASCULANT |
| | 188003 | DISPLAY TDSR 5160 | DISPLAY TDSR 5160 | DISPLAY TDSR 5160 |
| 21 | 302182 | DISPLAY CONNECTION WIRE | CABLE CONEXION DISPLAY | CABLE CONNECTION DISPLAY |
| 22 | 282327 | DISPLAY PLATE ISOLATOR | AISLANTE PLACA DISPLAY | ISOLANT PLAQUE DISPLAY |
| 24 | 277392 | PLATE-CONTROL SEPARATOR | SEPARADOR PANEL-PLACA | SEPARATEUR TABLEAU-PLAQUE |
| 25 | 277400 | NUT-PLATE SEPARATOR | SEPARADOR PLACA-TUERCA | SEPARATEUR PLAQUE-ECROU |
| 26 | 150185 | BICR.HEX.NUT DIN934-8 M4 | TUER.EX.DIN934-8 B.TRI.M 4 | ECROU HEX.DIN934-8 BICR.M4 |
| 27 | 282970 | CONTROL PANEL CHANNEL | CANAL PANEL MANDOS | CHANNEL PANNEAL COMMANDES |
| 28 | 183400 | CYL.PLATE SCREW ST-4 20 C/AL | TOR.CHAPA ST-4 20 C/AL.T25 | VIS PLAQUE CYL.ST-4 20 C/AL |
| 29 | 120956 | LEVEL PRESSURE-SWITCH INTAKE | TOMA PRESOSTATO NIVEL | PRISE PRESSOSTAT NIVEAU |
| 30 | 279588 | AIR CONDUCTION HOSE | TUBO CONDUCCION AIRE | TUBE CONDUITE AIR |
| 31 | 144295 | BICR.SCREW ALLEN912-8.8 M 5X25 | TOR.ALLDIN912-8.8 B.TRI.M 5X25 | VIS ALLDIN912-8.8 BICR.M 5X 25 |

| N° | REF. | DENOMINATION | DENOMINACIÓN | DÉNOMINATION |
|----|--------|--|--|--|
| 32 | 149724 | BICR EXT.TOOT.WASH.DIN6798 M5 | ARAN.DEN.EXT.B.TRI.DIN6798M 5 | RONDEL DEN.EX.BICR.DIN6798 M5 |
| 33 | 150177 | BICR HEX NUT DIN934-8 M5 | TUER.EX.DIN934-8 B.TRI.M 5 | ECROU HEX DIN934-8 BIC.M5 |
| 35 | 406280 | CONNECTION-BOARD BASE | BASE REGLETA | BASE REGLETTE |
| 36 | 318147 | CONNECTION-BOARD PA-329L (12 UNITS) | REGLETA PA-239L/12POLOS WP (12 ELEMENTOS) | REGLETTE PA-329L/12POLES WP (12 UNITÉS) |
| 37 | 321174 | FERRITE SPLIT TRCN-28-16-20 | FERRITA SPLIT TRCN-28-16-20 | FERRITE SPLIT TRCN-28-16-20 |
| 38 | 166835 | SELFTHREADED SCREW | TOR.CELO RF81T 3,5X12 | VIS AUTO-FILETE 271147231900 |

| N° | REF. | DENOMINATION | DENOMINACIÓN | DÉNOMINATION |
|----|--------|----------------------------|--------------------------------------|--------------------------------------|
| | | FROM MACHINE N° 860.001 | A PARTIR DE LA MÁQUINA N° 860.001 | A PARTIR DE LA MACHINE N° 860.001 |
| 12 | 192310 | CANCELLED | ANULADO | ANNULE |
| 14 | 197343 | CANCELLED | ANULADO | ANNULE |
| 39 | 341529 | EMERGENCY STOP LC | PARO EMERGENCIA LC | ARRET EMERGENCE LC |



| N° | REF. | DENOMINATION | DENOMINACIÓN | DÉNOMINATION |
|----|--------|--|---|---|
| | 797985 | SECOND DRAIN KIT | KIT 2° DESAGÜE | KIT DEUXIEME VIDANGE |
| 1 | 163238 | DRAIN (NORMALLY CLOSED) (NORMALLY CLOSED) | DESAGUE (CERRADO A F.DE CORR.) (NORMALMENTE CERRADO) | VIDANGE (NORMALEMENT FERMEE) (NORMALEMENT FERMÉ) |
| | 159764 | MOTOR AND GEAR-BOX RE. 453R | MOTOR-REDUCTOR 453R 0,24AMP. | MOTEUR ET REDUCTEUR REF. 453R |
| | 159731 | OPERATING SPRING RE.408L | MUELLE ACCIONAMIENTO REF.408L | RESSORT ACTIONNEMENT REF. 408L |
| | 163394 | TIGHTNESS SEAL RE. 311VP | RETEN ESTANQUEIDAD REF.VP311 | RESERVE ETACHEITE REF. 311VP |
| | 166561 | DRAIN BODY RE. 711-SO 3" | CUERPO DESAGÜE REF.711-SO 3" | CORPS VIDANGE REF. 711-SO 3" |
| | 166553 | MOTOR FIXING PLATE REF. 304Z | PLACA FIJACION MOTOR REF.304Z | PLAQUE FIXATION MOTEUR 304Z |
| | 166611 | MOTOR FIXING PLATE SCREW | TORNILLO PLACA FIJAC.REF.306 | VIS PLAQUE FIXATION MOTEUR |
| | 166595 | MOTOR PLATE FIXING SCREW 320C | TORNILLO FIJACION REF.320C | VIS FIXATION 320C |
| | 166603 | CYL PLATE SCREW DIN7971 8X2" | TOR.CHAPA CILI.DIN7971 8X2" | VIS PLAQUE CYL DIN7971 8X2" |
| | 166579 | OPERATING SHAFT 813C | EJE ACCIONAMIENTO REF.813C | AXE ACTIONNEMENT 813C |
| | 166629 | OPERATIN SHAFT WASHER 823 | ARANDELA EJE ACCIONAM. REF.823 | RONDELLE AXE ACTIONNEMENT 823 |
| | 166637 | MANUAL LEVER REF. 601 | PALANCA MANUAL REF.601 | LEVIER MANUEL REF. 601 |
| 2 | 278002 | RUBER ELBOW D73X350X210 | CODO GOMA D73X350X210 | COUDE GOMME D73X350X210 |
| 3 | 132340 | CLAMP 301510-0 D80-100 | ABRAZADERA 80-100 | BRIDE 301510-0 D80-100 |
| 4 | 178152 | UNION T | TE UNION | T UNION |
| 5 | 287284 | RUBER ELBOW D73X215X170 | CODO GOMA D73X215X170 | COUDE GOMME D73X215X170 |
| 6 | 277053 | DRAIN JOINTING HOSE | TUBO UNION DESAGUE | TUBE UNION VIDANGE |
| 7 | 163253 | DRAIN OUTLET HOSE | TUBO SALIDA DESAGÜE | TUBE SORTIE VIDANGE |
| 8 | 212795 | DRAIN PROTECTION | PROTECCION DESAGÜE | PROTECTION VIDANGE |
| 9 | 135004 | CONICAL END-PIECE REPRIMSA R16 | TOPE CONICO REPRIMSA R-16 D30 | ARRET CONIQUE REPRIMSA R16 D30 |
| 10 | 149609 | CLAMP 301526-5 D25-40 | ABRAZADERA 25- 40 | BRIDE 301526-5 D25-40 |
| 11 | 243717 | DRAIN BRACKET | SOPORTE DESAGÜE | SUPPORT VIDANGE |
| 12 | 144881 | INOX HEX SCREW DIN933 M 6X16 | TOR.EX.DIN933INOX A2-70 M 6X16 | VIS HEX INOX DIN933 M 6X16 |
| 13 | 149310 | INOX.A2 WASHER DIN125 6,4 | ARAN. DIN125 INOX A2 6,4 | RONDELLE INOX.A2 DIN125 6,4 |
| 14 | 149971 | INOX. HEX. NUT DIN 934 M-6 | TUER.EX.DIN934 INOX A2-70 M 6 | ECROU HEX. INOX. DIN 934 M-6 |
| 15 | 144964 | INOX HEX SCREW DIN 933 M-8X15 | TOR.EX.DIN933INOX A2-70 M 8X16 | VIS HEX INOX DIN 933 M-8X15 |
| 16 | 149351 | INOX A2 WASHER DIN 125 8,4 | ARAN. DIN125 INOX A2 8,4 | RONDELLE INOX A2 DIN 125 8,4 |