

NOTES TO USE PARTS LIST

ACLARACIONES PARA EL USO DEL DESPIECE

NOTES UTILISATION VUES ECLATEES

Sheets no. 1, 2, 3, 4, 5, 8, 9 & 10:
Are common for all versions.

Las hojas nº1, 2, 3, 4, 5, 8, 9 y 10:
Son comunes a todas las variantes.

Les feuilles no. 1, 2, 3, 4, 5, 8, 9 et 10:
Sont communes à toutes les versions.

Sheet no. 6:
Relates to CM version.

La hoja nº 6:
Corresponde a la variante CM.

La feuille no. 6:
Correspond à la version CM.

Sheet no. 7:
Relates to PM/SM versions.

La hoja nº 7:
Corresponde a las variantes PM/SM.

La feuille no. 7:
Correspond aux versions PM/SM.

Sheet no. 10:
The bottom just refers to three water inlets machines (PM only).

La hoja nº 10:
La parte inferior es sólo para las máquinas con tres entradas de agua (Sólo PM).

La feuille no. 10:
La partie inférieure est seulement pour les machines à trois arrivées d'eau (Seulement PM).

Sheet no. 11:
Relates to electrical heated machines.

La hoja nº 11:
Corresponde a las máquinas con calefacción eléctrica.

La feuille no. 11:
Correspond aux machines à chauffage électrique.

Sheet no. 12:
Relates to steam heated machines.

La hoja nº 12:
Corresponde a las máquinas con calefacción a vapor.

La feuille no. 12:
Correspond aux machines à chauffage à vapeur.

VERY IMPORTANT:

Before ordering parts be sure they have not been modified. Check it on yellow sheet.

MUY IMPORTANTE:

Al pedir una pieza cerciorarse antes de que la misma no ha sido modificada. Si lo hubiese sido, estaria situada en hoja amarilla.

TRES IMPORTANT:

Avant de commander une pièce, s'assurer qu'elle n'a pas été modifiée. Le verifier sur feuille jaune.

From
A partir
A partir

To
Hasta
Jusqu'à

710001

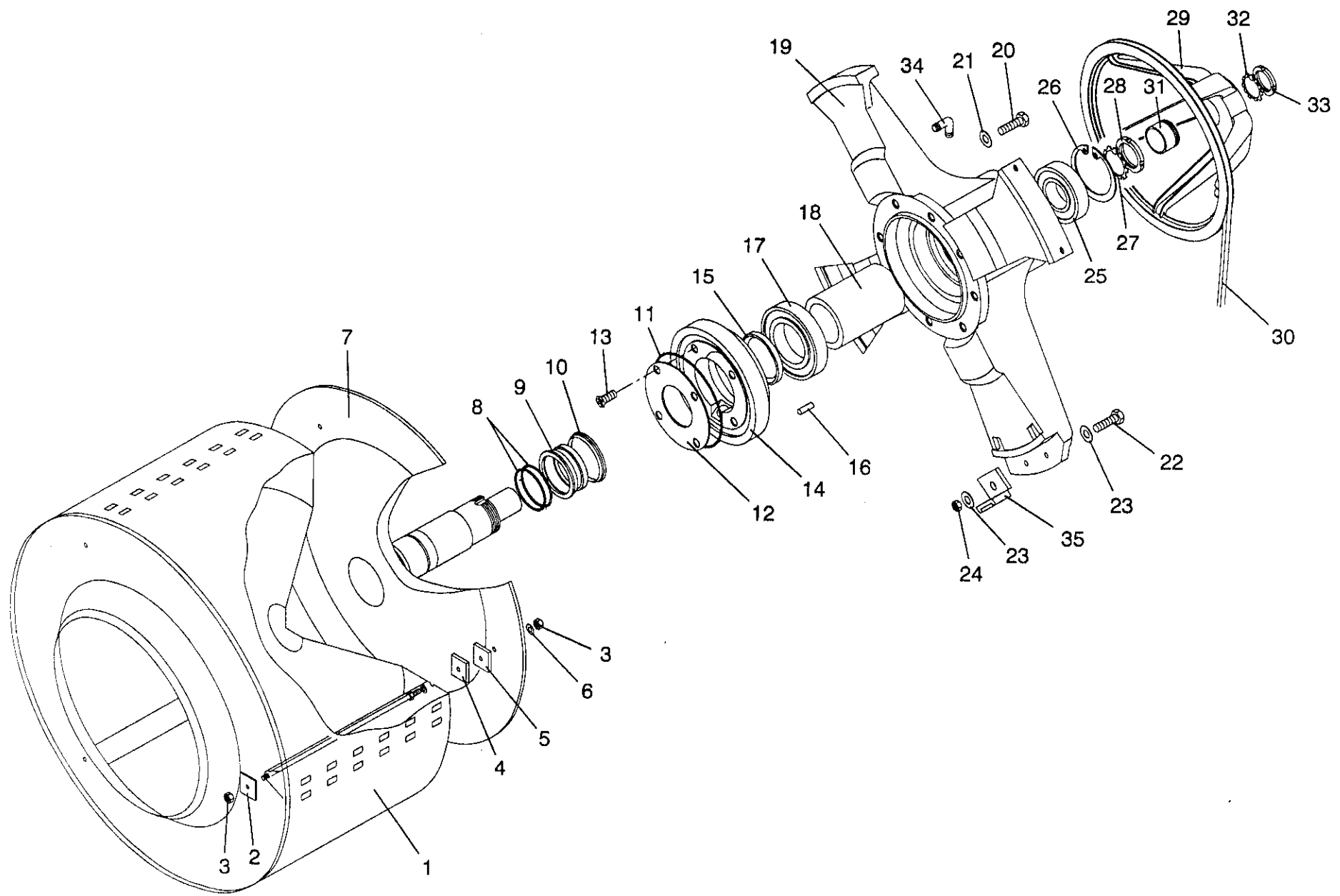
.....

HS - 3012

Cod. nº 280560 A

Rev. nº 00/0596

U-12271



HS-3012

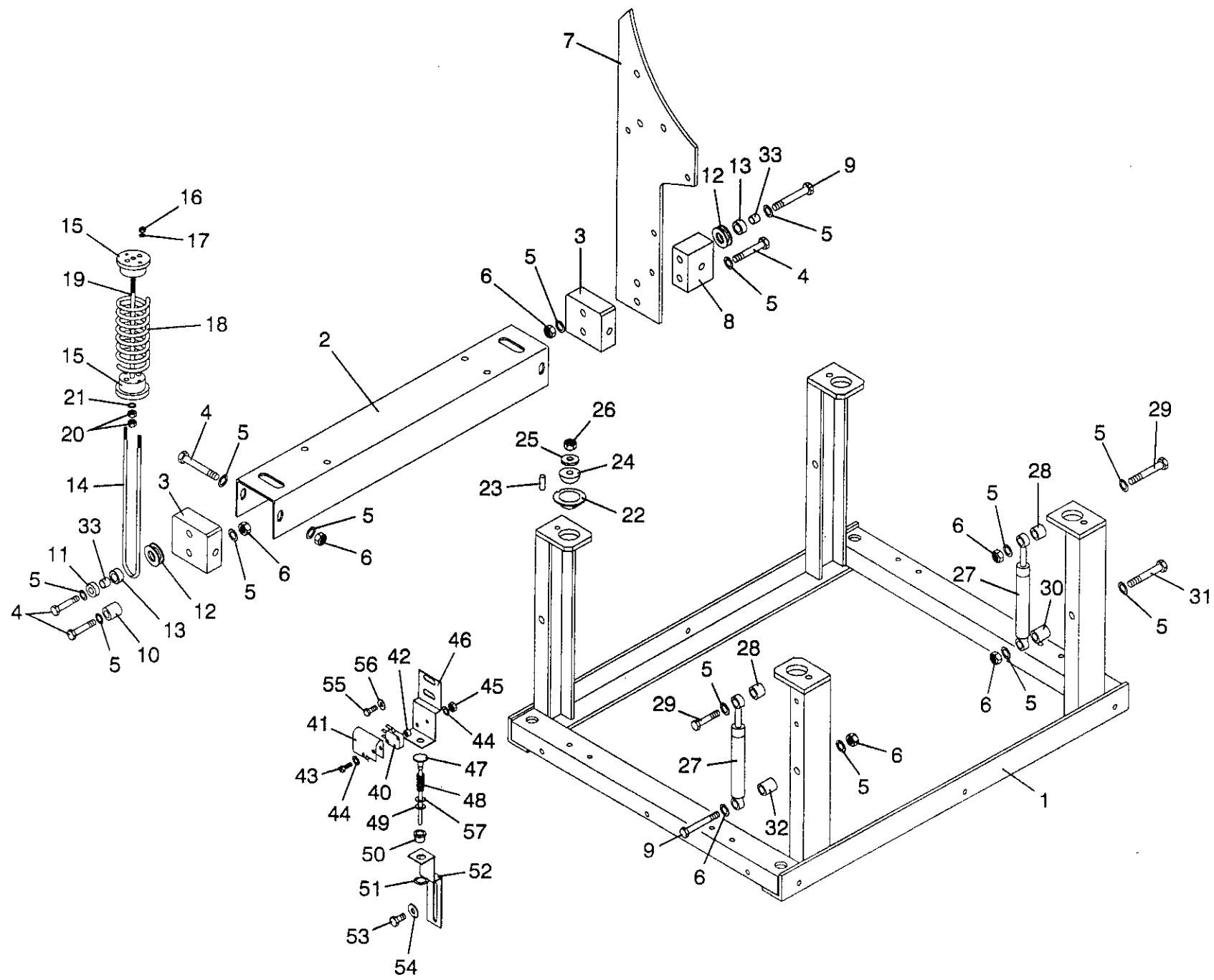
| Nº | REF. | DENOMINATION | DENOMINACION | DÉNOMINATION |
|----|----------|--------------------------------|---------------------------------|--------------------------------|
| 1 | 260778 * | BASKET BODY | CUERPO TAMBOR | CORPS TAMBOUR |
| 2 | 121418 | BASKET SHOVEL RENFORT | REFUERZO PALA TAMBOR | REFORT PALETTE TAMBOUR |
| 3 | 149948 | INOX. HEX. NUT DIN 934 M-12 | TUERCA EX. INOX DIN934 M12 | ECROU HEX. INOX. DIN 934 M-12 |
| 4 | 121459 | BASKET CENTERING PIECE | PIEZA CENTRADO TAMBOR | PIECE CENTRAGE TAMBOUR |
| 5 | 121467 | BASKET CENTERING PIECE | PIEZA CENTRADO TAMBOR | PIECE CENTRAGE TAMBOUR |
| 6 | 149302 | INOX.A2 WASHER DIN 125 13 | ARAN. DIN125 INOX A2 13 | RONDELLE INOX.A2 DIN 125 13 |
| 7 | 260794 | BASKET COUPLING | ACOPLAMIENTO TAMBOR | ASSAMBLAGE TAMBOUR |
| 8 | 193995 | TORIC GASKET 65X71X3 | JUNTA TORICA 65X71X3 | JOINT TORIQUE 65X71X3 |
| 9 | 260869 | SEAL RING | ANILLO RETENES | BAGUE RESERVES |
| 10 | 194001 | RING V-RING V- 80 A | ANILLO V-RING V- 80 A | BAGUE V-RING V- 80 A |
| 11 | 193987 | TORIC GASKET 120X132X6 | JUNTA TORICA 120X132X6 | JOINT TORIQUE 120X132X6 |
| 12 | 260851 | SEAL COVER PLATE | PLATINA TAPA RETEN | PLAT COUVERCLE RESERVE |
| 13 | 192864 | ALLEN SCREW INOX DIN7991 M4X12 | TOR.AV.ALL. INOX DIN7991M 4X 12 | VIS ALLEN INOX DIN7991 M4X 12 |
| 14 | 260752 | SEAL COVER | TAPA RETEN | COUVERCLE RESERVE |
| 15 | 193979 | SEAL 80X100X10 BA | RETEN 80X100X10 BA | RESERVE 80X100X10 BA |
| 16 | 150771 | FLEXIBLE PIN DIN1481 D4X15 | PASADOR ELASTICO DIN1481 D4X15 | GOUJON ELASTIQUE DIN1481 D4X15 |
| 17 | 193961 | BEARING NU-213 E | RODAMIENTO NU-213 E | ROULEMENT NU-213 E |
| 18 | 260877 | BEARING END-PIECE | TOPE COJINETES | ARRET ROULEMENTS |
| 19 | 260836 | BEARING BOX | CAJA COJINETES | BOITE ROULEMENTS |
| 20 | 192856 | HEX SCREW 8G DIN 933 M 6X 25 | TOR.EX.DIN933-8.8 BICR.M 6X 25 | VIS HEX.8G DIN 933 M 6X 25 |
| 21 | 149526 | BICR.WASHER B DIN125-ST 6,4 | ARAN.B DIN125-ST BICR. 6,4 | RONDELLE B DIN125-ST BICR.6,4 |
| 22 | 147017 | BICR.HEX SCREW DIN933-8 M10X40 | TOR.EX.DIN933-8.8 BICR.M10X 40 | VIS HEX DIN933-8,8 BICR.M10X40 |
| 23 | 149500 | BICR.WASHER B DIN125-ST 10,5 | ARAN.B DIN125-ST BICR.10,5 | RONDELLE B DIN125-ST BICR.10,5 |
| 24 | 150649 | SELFBLOCKING NUT DIN 985 M-10 | TUER.AUTOBL.DIN985-8 BICR.M10 | ECROU AUTOBLOCANT DIN 985 M-10 |
| 25 | 193953 | BEARING 6312 Z | RODAMIENTO 6312 Z | ROULEMENT 6312 Z |
| 26 | 131649 | FLEXIBLE RING I-130 DIN 472 | ANILLO ELASTICO I-130 DIN 472 | BAGUE ELASTIQUE I-130 DIN 472 |
| 27 | 262907 | LOCKING WASHER | ARANDELA DE CIERRE | RONDELLE FERMETURE |
| 28 | 193946 | FIXING NUT KM-12 | TUERCA FIJACION KM-12 | ECROU FIXATION KM-12 |
| 29 | 260844 | BASKET PULLEY | POLEA TAMBOR | POULIE TAMBOUR |

| Nº | REF. | DENOMINATION | DENOMINACION | DÉNOMINATION |
|----|--------|---|---|--|
| 30 | 193896 | BELT SPA 1700 (FOR 50HZ) | CORREA TRAPECIAL SPA-1700 (PARA 50 HZ) | COURROIE SPA 1700 (POUR 50 HZ) |
| | 194076 | BELT SPA 1657 (FOR 60HZ) | CORREA TRAPECIAL SPA-1657 (PARA 60 HZ) | COURROIE SPA 1657 (POUR 60 HZ) |
| 31 | 120485 | FIXING SLEEVE H-2309 (NUT AND WASHER INCLUDES) | MANGUITO FIJACION H-2309 (INCLUYE TUERCA Y ARANDELA) | MANCHON FIXATION H-2309 (ECROU ET RONDELLE COMPRIS) |
| 32 | 162412 | LOCKING WASHER MB-9 | ARANDELA CIERRE MB- 9 | RONDELLE FERMETURE MB-9 |
| 33 | 162404 | FIXING NUT KM-9 | TUERCA FIJACION KM- 9 | ECROU FIXATION KM-9 |
| 34 | 193904 | HOSE ELBOW 3/8" RE. 46602 | CODO MANGUERA 3/8" REF.46602 | COUDE TUYAU 3/8" REF. 46602 |
| 35 | 245142 | CLAMP | BRIDA | BRIDE |

* 260786 WHOLE BASKET

TAMBOR COMPLETO

TAMBOUR COMPLET

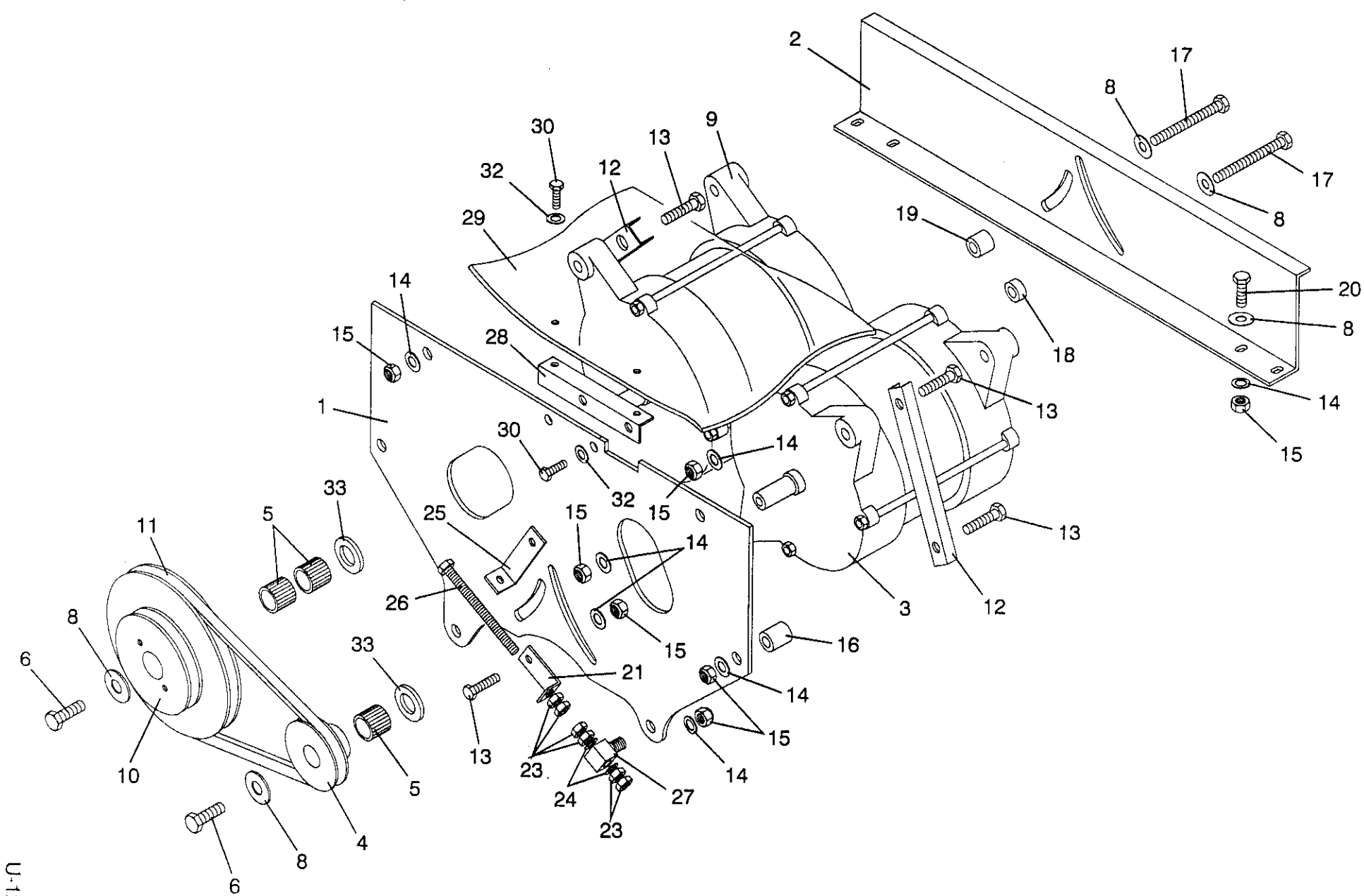


U-12272

HS-3012

| Nº | REF. | DENOMINATION | DENOMINACION | DÉNOMINATION |
|----|----------|-------------------------------|--------------------------------|--------------------------------|
| 1 | 261446 | CHASSIS | CHASIS | CHASSIS |
| 2 | 261107 | JOINTING PIECE | PIEZA UNION | PIECE UNION |
| 3 | 261313 | SUSPENSION BRACKET | SOPORTE SUSPENSION | SUPPORT SUSPENSION |
| 4 | 192815 | HEX SCREW DIN931-8.8 M-10X100 | TOR.EX.DIN931-8.8 BICR.M10X100 | VIS HEX DIN931-8.8 M-10X100 |
| 5 | 149500 | BICR.WASHER B DIN125-ST 10,5 | ARAN.B DIN125-ST BICR.10,5 | RONDELLE B DIN125-ST BICR.10,5 |
| 6 | 150649 | SELFBLOCKING NUT DIN 985 M-10 | TUER.AUTOBL.DIN985-8 BICR.M10 | ECROU AUTOBLOCANT DIN 985 M-10 |
| 7 | 261081 | SUSPENDED SET PIECE | PIEZA GRUPO FLOTANTE | PIECE ENSEMBLE SUSPENDU |
| 8 | 261321 | SUSPENSION BRACKET SUPPLEMENT | SUPLEMENTO SOPORTE SUSPENSION | SUPPLEMENT SUPPORT SUSPENSION |
| 9 | 192765 | HEX SCREW 8G DIN 931 M-10X120 | TOR.EX.DIN931-8.8 BICR.M10X120 | VIS HEX 8G DIN 931 M-10X120 |
| 10 | 261636 | SEPARATOR 20X10,5X27 | SEPARADOR 20X10,5X27 | SEPARATEUR 20X10,5X27 |
| 11 | 261602 | SEPARATOR 25X10,5X 8 | SEPARADOR 25X10,5X 8 | SEPARATEUR 25X10,5X 8 |
| 12 | 261024 | SUSPENSION SLEEVE | CASQUILLO SUSPENSION | FRETTE SUSPENSION |
| 13 | 128868 | SELFOIL SLEEVE B11A16-20-15 | COJ. SELFOIL B11A16-20-15 | FRETTE SELFOIL B11A16-20-15 |
| 14 | 261040 | SUSPENSION BRACKET | HORQUILLA SUSPENSION | FOURCHETTE SUSPENSION |
| 15 | 261016 | SUSPENSION CLAMP | BRIDA SUSPENSION | BRIDE SUSPENSION |
| 16 | 176834 | SELFBLOCKING NUT DIN985 M-6 | TUER.AUTOBL.DIN985-8 BICR.M 6 | ECROU AUTOBLOCANT DIN985 M-6 |
| 17 | 149526 | BICR.WASHER B DIN125-ST 6,4 | ARAN.B DIN125-ST BICR. 6,4 | RONDELLE B DIN125-ST BICR.6,4 |
| 18 | 187302 * | SUSPENSION SPRING | MUELLE SUSPENSION | RESSORT SUSPENSION |
| 19 | 261057 | SUSPENSION BAR | VARILLA SUSPENSION | BAGUETTE SUSPENSION |
| 20 | 150201 | BICR.HEX NUT DIN 934-8 M-8 | TUER.EX.DIN934-8 BICR.M 8 | ECROU HEX.DIN 934-8 BICR.M-8 |
| 21 | 149518 | BICR.WASHER B DIN125-ST 8,4 | ARAN.B DIN125-ST BICR. 8,4 | RONDELLE.B DIN125-ST BICR.8,4 |
| 22 | 260984 | HINGE-JOINT BRACKET | SOPORTE ROTULA | SUPPORT ROTULE |
| 23 | 150771 | FLEXIBLE PIN DIN1481 D4X15 | PASADOR ELASTICO DIN1481 D4X15 | GOUJON ELASTIQUE DIN1481 D4X15 |
| 24 | 189449 | HINGE-JOINT | ROTULA | ROTULE |
| 25 | 261529 | WASHER 25X8,5X4 | ARANDELA 25X8,5X4 | RONDELLE 25X8,5X4 |
| 26 | 164285 | SELFBLOCKING NUT DIN985 M-8 | TUER.AUTOBL.DIN985-8 BICR.M 8 | ECROU AUTOBLOCANT DIN985 M-8 |
| 27 | 175091 | FRICTION SHOCK-ABSORBER | AMORT.FRICC.SEBAC 154001027605 | AMORTISSEUR FRICTION |
| 28 | 261644 | SEPARATOR 25X10,5X10 | SEPARADOR 25X10,5X10 | SEPARATEUR 25X10,5X10 |
| 29 | 175745 | HEX SCREW 8G DIN 931 M-10X60 | TOR.EX.DIN931-8.8 BICR.M10X 60 | VIS HEX 8G DIN 931 M-10X60 |
| 30 | 261669 | SEPARATOR 25X10,5X41,5 | SEPARADOR 25X10,5X41,5 | SEPARATEUR 25X10,5X41,5 |

| Nº | REF. | DENOMINATION | DENOMINACION | DÉNOMINATION |
|----|--------|--------------------------------|--------------------------------|--------------------------------|
| 31 | 191759 | HEX SCREW 8G DIN931 M10X150 | TOR.EX.DIN931-8.8 BICR.M10X150 | VIS HEX 8G DIN931 M10X150 |
| 32 | 261651 | SEPARATOR 25X10,5X17,5 | SEPARADOR 25X10,5X17,5 | SEPARATEUR 25X10,5X17,5 |
| 33 | 261586 | INTERMEDIATE SLEEVE | CASQUILLO INTERMEDIO | FRETTE MOYENNE |
| 40 | 197046 | MINISWITCH 83161.344 I W3 | MINIRRUPTOR 83161.344 I W3 | MINIRRUPTEUR 83161.344 I W3 |
| 41 | 281113 | MICROSWITCH ISOLATION | AISLANTE MICRORRUPTOR | ISOLANT MICRORRUPTEUR |
| 42 | 175364 | PLASTIC SEPARATOR 6MM SP78/10 | SEPARADOR PLASTICO 6MM.SP78/10 | SEPARATEUR PLASTIQUE 6MM |
| 43 | 302554 | CYL.BICR.SCREW DIN84-4.8 M3X25 | TOR.CIL.DIN84-4.8 BICR.M 3X25 | VIS.CYL DIN84-4.8 BICR M 3X25 |
| 44 | 149484 | BICR.WASHER B DIN125-ST 3,2 | ARAN.B DIN125-ST BICR. 3,2 | RONDELLE B.DIN125-ST BICR. 3,2 |
| 45 | 149906 | INOX. HEX. NUT DIN 934 M-3 | TUERCA EX.INOX DIN934 M 3 | ECROU HEX. INOX DIN934 M-3 |
| 46 | 261784 | MICROSWITCH DRIVE BRACKET | SOPORTE ACCIONADOR MICRORRUP. | SUPPORT ACTIONNEMENT MICRORRUP |
| 47 | 189407 | MICROSWITCH DRIVE | ACCIONADOR MICRORRUPTOR | ACTIONNEMENT MICRORRUPTEUR |
| 48 | 189399 | MICROSWITCH DRIVE SPRING | MUELLE ACCIONADOR MICRORRUPTOR | RESSORT ACTIONNEMENT MICRORRUP |
| 49 | 147918 | QUICK FIXING 211039-6 | SUJEC.RAPIDA MIKALOR 211039-6 | FIXATION RAPIDE 211039-6 |
| 50 | 119305 | MICROSWITCH DRIVE SLEEVE | CASQUILLO ACCIONADOR MICRORRUP | FRETTE ACTIONNEMENT MICROR. |
| 51 | 134924 | QUICK FIXING 2110441 | SUJEC.RAPIDA MIKALOR 211044-1 | FIXATION RAPIDE 2110441 |
| 52 | 261958 | MICROSWITCH DRIVE END-PIECE | TOPE ACCIONADOR MICRORRUPTOR | ARRET ACTIONNEMENT MICRORRUPT |
| 53 | 146233 | BICR.HEX SCREW DIN933-8 M6X15 | TOR.EX.DIN933-8.8 BICR.M 6X 15 | VIS HEX DIN933-8.8 BICR.M6X15 |
| 54 | 115758 | WASHER 20X7X2 | ARANDELA 20X7X2 | RONDELLE 20X7X2 |
| 55 | 146258 | BIC.HEX SCREW DIN933-8.8 M4X10 | TOR.EX.DIN933-4.8 BICR.M 4X 15 | VIS HEX DIN933-8.8 BICR.M 4X10 |
| 56 | 149476 | BICR.WASHER B DIN125-ST 4,3 | ARAN.B DIN125-ST BICR. 4,3 | RONDELLE B DIN125-ST BICR.4,3 |
| 57 | 149534 | BICR.WASHER B DIN125-ST 5,3 | ARAN.B DIN125-ST BICR. 5,3 | RONDELLE B BICR.DIN125-ST 5,3 |
| * | 261065 | SUSPENSION SET | CONJUNTO SUSPENSION (COMPLETO) | ENSEMBLE SUSPENSION |

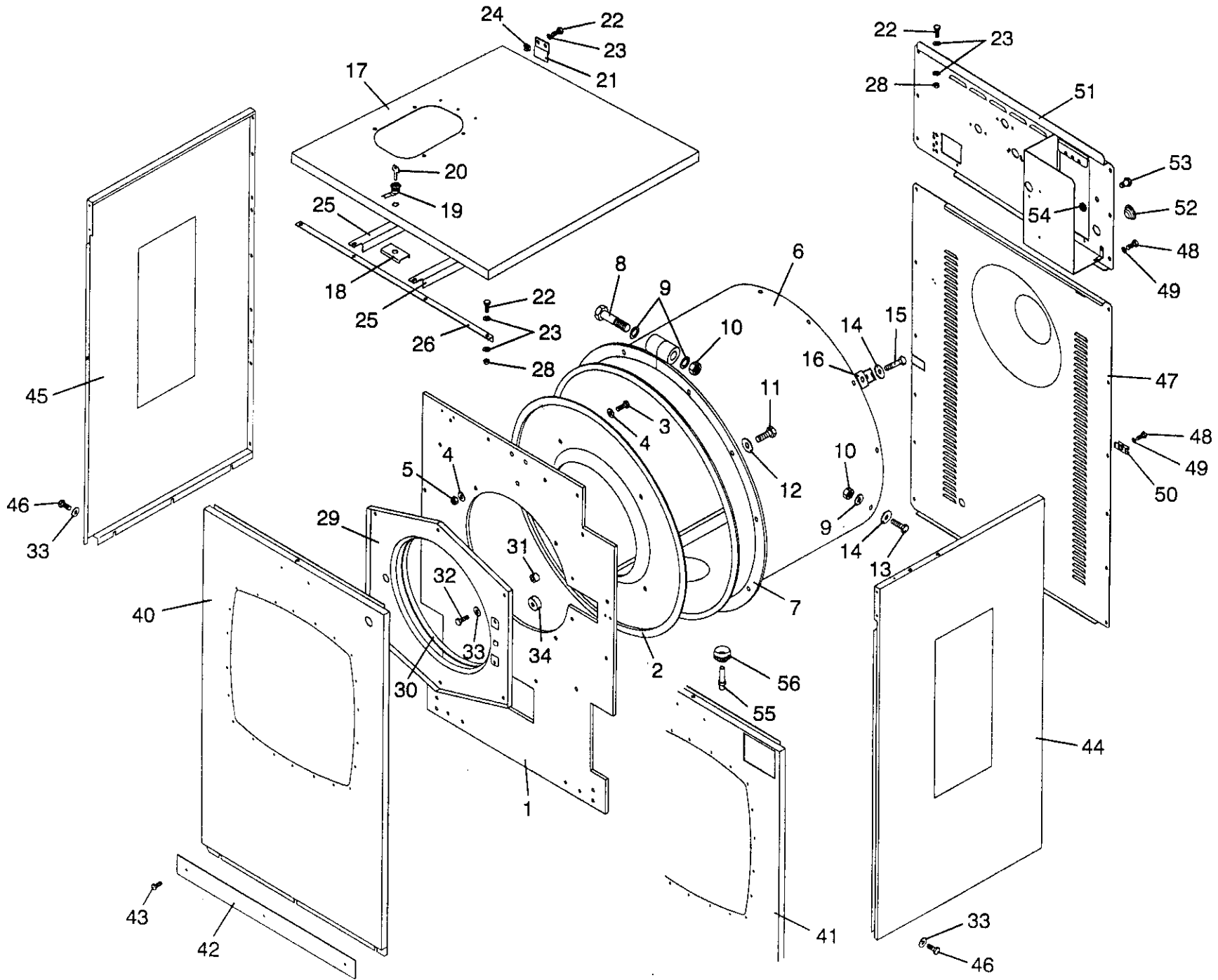


U-12273

HS-3012

| Nº | REF. | DENOMINATION | DENOMINACION | DÉNOMINATION |
|----|--------|--|---|--|
| 1 | 261099 | MOTOR PLATE | PLACA MOTORES | PLAQUE MOTEUR |
| 2 | 261073 | MOTORS BRACKET | SOPORTE MOTORES | SUPPORT MOTEURS |
| 3 | 193284 | MOTOR MT103 90 3PH 220/380-50 | MOTOR MT103 90 III 220/380-50 | MOTEUR MT103 90 3PH 220/380-50 |
| | 193292 | MOTOR MT103 90 3PH 240/415-50 | MOTOR MT103 90 III 240/415-50 | MOTEUR MT103 90 3PH 240/415-50 |
| | 193300 | MOTOR MT103 90 3PH 254/440-50 | MOTOR MT103 90 III 254/440-50 | MOTEUR MT103 90 3PH 254/440-50 |
| | 193318 | MOTOR MT103 90 3PH 200/346-50 | MOTOR MT103 90 III 200/346-50 | MOTEUR MT103 90 3PH 200/346-50 |
| | 193326 | MOTOR MT103 90 3PH 208/380-60 (FOR 220-240/380V 60HZ) | MOTOR MT103 90 III 208/380-60 (PARA 220-240/380V 60HZ) | MOTEUR MT103 90 3PH 208/380-60 (POUR 220-240/380V 60HZ) |
| | 193334 | MOTOR MT103 90 3PH 254/440-60 | MOTOR MT103 90 III 254/440-60 | MOTEUR MT103 90 3PH 254/440-60 |
| | 193342 | MOTOR MT103 90 3PH 200/346-60 | MOTOR MT103 90 III 200/346-60 | MOTEUR MT103 90 3PH 200/346-60 |
| | 305714 | BEARING 6304-ZZ QE6 (COUPLING SIDE) | RODAMIENTO 6304-ZZ QE6 (LADO ACOUPLE) | ROULEMENT 6304-ZZ QE6 (COTE COUPLAGE) |
| | 128579 | BEARING 6204 ZZ QE6 (FAN SIDE) | RODAMIENTO 6204-ZZ QE6 (LADO VENTILADOR) | ROULEMENT 6204 ZZ QE6 (COTE VENTILATEUR) |
| 4 | 261115 | WASH MOTOR PULLEY | POLEA MOTOR LAVADO | POULIE MOTEUR LAVAGE |
| 5 | 193920 | STAR TOLERANCE RING | ANILLO TOLER.STAR 0820-018-52 | BAGUE TOLERANCE STAR |
| 6 | 166652 | BIC.HEX SCREW DIN933-8.8 M8X15 | TOR.EX.DIN933-8.8 BICR.M 8X 15 | VIS HEX DIN933-8.8 BICR. M8X15 |
| 8 | 261529 | WASHER 25X8,5X4 | ARANDELA 25X8,5X4 | RONDELLE 25X8,5X4 |
| 9 | 193227 | MOTOR MT 80 80 3PH 220/380-50 (FOR 220-240/380-415V 50HZ) | MOTOR MT 80 80 III 220/380-50 (PARA 220-240/380-415V 50HZ) | MOTEUR MT 80 80 3PH 220/380-50 (POUR 220-240/380-415V 50HZ) |
| | 193235 | MOTOR MT 80 80 3PH 254/440-50 | MOTOR MT 80 80 III 254/440-50 | MOTEUR MT 80 80 3PH 254/440-50 |
| | 193243 | MOTOR MT 80 80 3PH 200/346-50 | MOTOR MT 80 80 III 200/346-50 | MOTEUR MT 80 80 3PH 200/346-50 |
| | 193250 | MOTOR MT 80 80 3PH 208/380-60 (FOR 220-240/380V 60HZ) | MOTOR MT 80 80 III 208/380-60 (PARA 220-240/380V 60HZ) | MOTEUR MT 80 80 3PH 208/380-60 (POUR 220-240/380V 60HZ) |
| | 193268 | MOTOR MT 80 80 3PH 254/440-60 | MOTOR MT 80 80 III 254/440-60 | MOTEUR MT 80 80 3PH 254/440-60 |
| | 193276 | MOTOR MT 80 80 3PH 200/346-60 | MOTOR MT 80 80 III 200/346-60 | MOTEUR MT 80 80 3PH 200/346-60 |
| | 305714 | BEARING 6304-ZZ QE6 (COUPLING SIDE) | RODAMIENTO 6304-ZZ QE6 (LADO ACOUPLE) | ROULEMENT 6304-ZZ QE6 (COTE COUPLAGE) |
| | 128579 | BEARING 6204 ZZ QE6 (FAN SIDE) | RODAMIENTO 6204-ZZ QE6 (LADO VENTILADOR) | ROULEMENT 6204 ZZ QE6 (COTE VENTILATEUR) |
| 10 | 261123 | EXTRACT MOTOR PULLEY 50HZ (FOR 50HZ) | POLEA MOTOR CENTRIFUGADO 50HZ. (PARA 50 HZ) | POULIE MOTEUR ESSORAGE 50HZ (POUR 50 HZ) |
| | 261917 | EXTRACT MOTOR PULLEY 60HZ (FOR 60HZ) | POLEA MOTOR CENTRIFUGADO 60HZ. (PARA 60 HZ) | POULIE MOTEUR ESSORAGE 60HZ (POUR 60 HZ) |

| Nº | REF. | DENOMINATION | DENOMINACION | DÉNOMINATION |
|----|--------|-------------------------------|--------------------------------|--------------------------------|
| 11 | 193870 | TRAPEZOIDAL BELT SPZX-812 | CORREA TRAPEZIAL SPZX- 812 | COURROIE TRAPEZOIDALE SPZX-812 |
| 12 | 263079 | MOTOR FIXING | FIJACION MOTORES | FIXATION MOTEUR |
| 13 | 192823 | HEX SCREW DIN933-8.8 M 8X 55 | TOR.EX.DIN933-8.8 BICR.M 8X 55 | VIS HEX.DIN933-8.8 M 8X 55 |
| 14 | 149518 | BICR.WASHER B DIN125-ST 8,4 | ARAN.B DIN125-ST BICR. 8,4 | RONDELLE.B DIN125-ST BICR.8,4 |
| 15 | 164285 | SELFBLOCKING NUT DIN985 M-8 | TUER.AUTOBL.DIN985-8 BICR.M 8 | ECROU AUTOBLOCANT DIN985 M-8 |
| 16 | 261750 | SEPARATOR 25X 8,5X30 | SEPARADOR 25X 8,5X30 | SEPARATEUR 25X 8,5X30 |
| 17 | 193391 | HEX SCREW 8G DIN933 M- 8X 70 | TOR.EX.DIN933-8.8 BICR.M 8X 70 | VIS HEX.8G DIN933 M- 8X 70 |
| 18 | 261644 | SEPARATOR 25X10,5X10 | SEPARADOR 25X10,5X10 | SEPARATEUR 25X10,5X10 |
| 19 | 261743 | SEPARATOR 25X10,5X20 | SEPARADOR 25X10,5X20 | SEPARATEUR 25X10,5X20 |
| 20 | 192849 | BIC.HEX SCREW DIN933-8 M-8X25 | TOR.EX.DIN933-8.8 BICR.M 8X 25 | VIS HEX.DIN933-8,8 BICR.M-8X25 |
| 21 | 263087 | WASH MOTOR TIGHTENER | TENSOR MOTOR LAVADO | TENDEUR MOTEUR LAVAGE |
| 23 | 149963 | INOX HEX NUT DIN 934 M-8 | TUERCA EX.INOX DIN934 M 8 | ECROU HEX. INOX DIN 934 M-8 |
| 24 | 149351 | INOX A2 WASHER DIN 125 8,4 | ARAN. DIN125 INOX A2 8,4 | RONDELLE INOX A2 DIN 125 8,4 |
| 25 | 261537 | EXTRACT MOTOR TIGHTENER | TENSOR MOTOR CENTRIFUGADO | TENDEUR MOTEUR ESSORAGE |
| 26 | 263111 | INOX HEX SCREW DIN933 M-8X130 | TOR.EX.INOX DIN933 M 8X130 | VIS HEX INOX DIN933 M-8X130 |
| 27 | 261578 | TIGHTENER BRACKET | SOPORTE TENSOR | SUPPORT TENDEUR |
| 28 | 261933 | MOTOR PROTECTOR COVER BRACKET | SOPORTE TAPA PROTEC.MOTORES | SUPPORT COUVERCLE PROT.MOTEURS |
| 29 | 261925 | MOTOR PROTECTION COVER | TAPA PROTECCION MOTORES | COUVERCLE PROTECTION MOTEURS |
| 30 | 146233 | BICR.HEX SCREW DIN933-8 M6X15 | TOR.EX.DIN933-8.8 BICR.M 6X 15 | VIS HEX DIN933-8.8 BICR.M6X15 |
| 32 | 149526 | BICR.WASHER B DIN125-ST 6,4 | ARAN.B DIN125-ST BICR. 6,4 | RONDELLE B DIN125-ST BICR.6,4 |
| 33 | 261198 | WASHER 32X18X3 | ARANDELA 32X18X3 | RONDELLE 32X18X3 |



U-12274

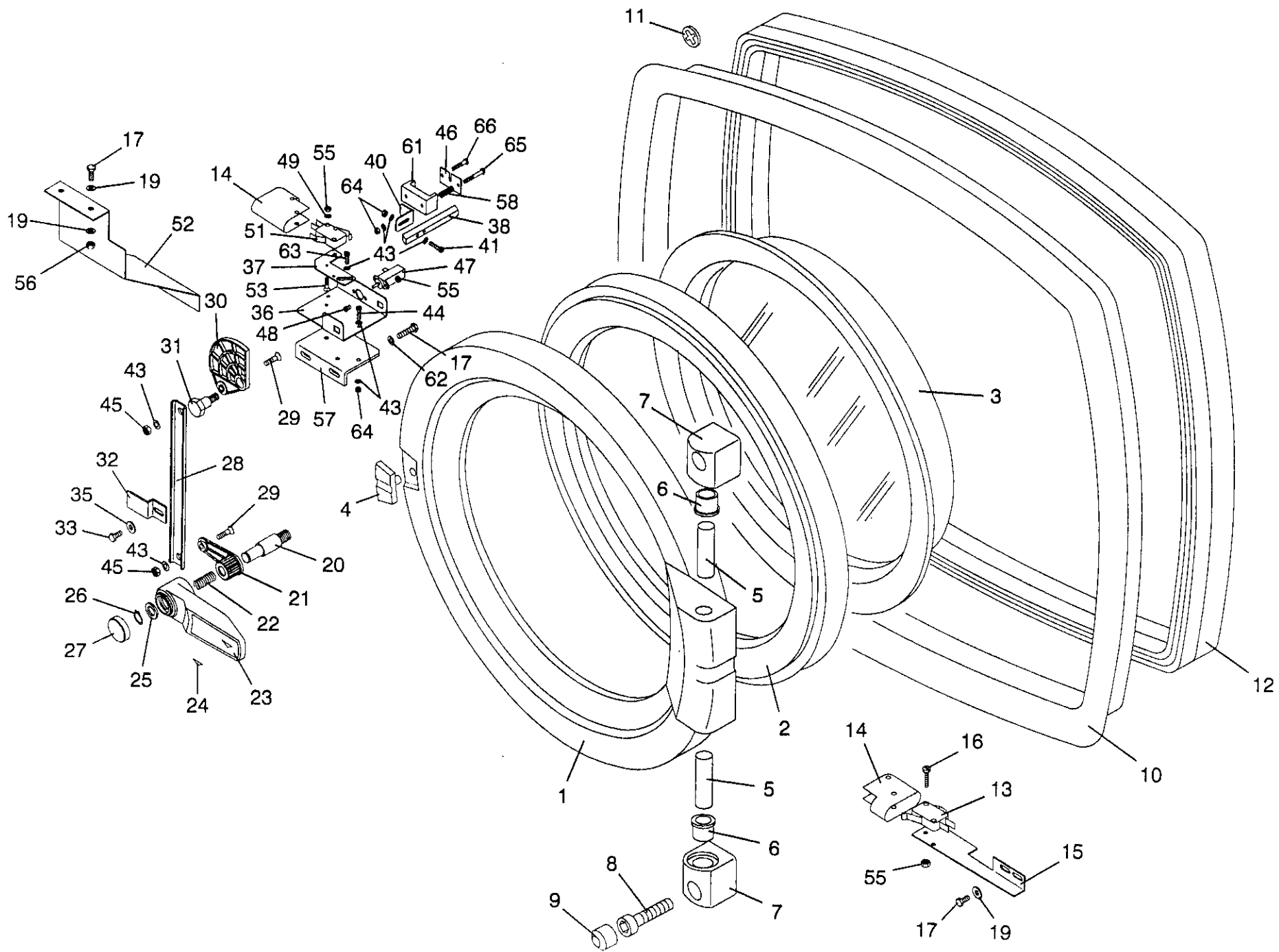
HS-3012

4

| Nº | REF. | DENOMINATION | DENOMINACION | DÉNOMINATION |
|----|--------|-------------------------------------|---|-------------------------------------|
| 1 | 261032 | FRONT PLATE | PLACA FRONTAL | PLAQUE FRONTALE |
| 2 | 260927 | OUTER-DRUM FRONT PANEL | FRONTAL ENVOLVENTE | FRONTAL CUVE |
| 3 | 144923 | INOX HEX.SCREW DIN 933 M-6X20 | TOR.EX.INOX DIN933 M 6X 20 | VIS HEX INOX DIN 933 M-6X20 |
| 4 | 149310 | INOX.A2 WASHER DIN125 6,4 | ARAN. DIN125 INOX A2 6,4 | RONDELLE INOX.A2 DIN125 6,4 |
| 5 | 176834 | SELFBLOCKING NUT DIN985 M-6 | TUER.AUTOBL.DIN985-8 BICR.M 6 | ECROU AUTOBLOCANT DIN985 M-6 |
| 6 | 260885 | OUTER-DRUM | ENVOLVENTE | CUVE |
| 7 | 260976 | OUTER-DRUM FIXING RING | ARO FIJACION ENVOLVENTE | BAGUE FIXATION CUVE |
| 8 | 175737 | HEX SCREW 8G DIN 931 M-10X80 | TOR.EX.DIN931-8.8 BICR.M10X 80 | VIS HEX 8G DIN 931 M-10X80 |
| 9 | 149500 | BICR.WASHER B DIN125-ST 10,5 | ARAN.B DIN125-ST BICR.10,5 | RONDELLE B DIN125-ST BICR.10,5 |
| 10 | 150649 | SELFBLOCKING NUT DIN 985 M-10 | TUER.AUTOBL.DIN985-8 BICR.M10 | ECROU AUTOBLOCANT DIN 985 M-10 |
| 11 | 192831 | BICR.HEX SCREW DIN 933-8 M8X30 | TOR.EX.DIN933-8.8 BICR.M 8X 30 | VIS HEX DIN 933-8,8 BIC.M8X30 |
| 12 | 261529 | WASHER 25X8,5X4 | ARANDELA 25X8,5X4 | RONDELLE 25X8,5X4 |
| 13 | 147017 | BICR.HEX SCREW DIN933-8 M10X40 | TOR.EX.DIN933-8.8 BICR.M10X 40 | VIS HEX DIN933-8,8 BICR.M10X40 |
| 14 | 115428 | WASHER 30X10,5X3 | ARANDELA 30X10,5X3 | RONDELLE 30X10,5X3 |
| 15 | 147009 | HEX SCREW 8G DIN 933 M-10X25 | TOR.EX.DIN933-8.8 BICR.M10X 25 | VIS HEX. DIN 933 M-10X25 8G |
| 16 | 245142 | CLAMP | BRIDA | BRIDE |
| 17 | 261297 | UPPER COVER | TAPA SUPERIOR | COUVERCLE SUPERIEUR |
| 18 | 242115 | UPPER COVER RENFORT | REFUERZO TAPA SUPERIOR | REFORT COUVERCLE SUPERIEUR |
| 19 | 196915 | LOCK RE.20.09.24 | CERRADURA REF.20.09.24 | FERMETURE REF.20.09.24 |
| 20 | 196923 | LOCK KEY RE.104.12.13 | LLAVE REF.104.12.13 | CLE FERMETURE REF.104.12.13 |
| 21 | 261354 | TOP COVER HINGE | BISAGRA TAPA SUPERIOR | CHARNIERE COUVERCLE SUPERIEUR |
| 22 | 146233 | BICR.HEX SCREW DIN933-8 M6X15 | TOR.EX.DIN933-8.8 BICR.M 6X 15 | VIS HEX DIN933-8.8 BICR.M6X15 |
| 23 | 149526 | BICR.WASHER B DIN125-ST 6,4 | ARAN.B DIN125-ST BICR. 6,4 | RONDELLE B DIN125-ST BICR.6,4 |
| 24 | 165019 | CAGED NUT M-6 0,5-1,5 | TUER.ENJ.M6 0,5-1,5 R.310007-9 | ECROU ENCAGE M-6 0,5-1,5 |
| 25 | 277517 | LANE ANGLE | ANGULO LONGITUDINAL | ANGLE LONGITUDINAL |
| 26 | 276592 | CROSS ANGLE | ANGULO TRANSVERSAL | ANGLE TRANSVERSAL |
| 28 | 150227 | BICR HEX NUT DIN934-8 M6 | TUER.EX.DIN934-8 BICR.M 6 | ECROU HEX DIN934-8 BICR.M6 |
| 29 | 192591 | FRONT PLATE COVER | TAPA PLACA FRONTAL | COUVERCLE PLAQUE FRONTAL |
| 30 | 165472 | ETHILENE-PROP. PROFILE (1 METER) | PERFIL ETILENO-PROP.REF.44117L (1 METRO) | PROFILE ETHILENE-PROP. (1 METRE) |

| Nº | REF. | DENOMINATION | DENOMINACION | DÉNOMINATION |
|----|--------|---|---|---|
| 31 | 261370 | SEPARATOR 20X 7X16,5 | SEPARADOR 20X 7X16,5 | SEPARATEUR 20X 7X16,5 |
| 32 | 144972 | INOX HEX SCREW DIN 933 M 6X30 | TOR.EX.INOX DIN933 M 6X 30 | VIS HEX INOX DIN 933 M 6X30 |
| 33 | 115758 | WASHER 20X7X2 | ARANDELA 20X7X2 | RONDELLE 20X7X2 |
| 34 | 261388 | SEPARATOR 35X11X14 | SEPARADOR 35X11X14 | SEPARATEUR 35X11X14 |
| 40 | 282541 | FRONT COVER (RED PAINTED WITH MODEL) | TAPA FRONTAL ROJO S-P-C(SIM) (PINTADA ROJA CON MODELO) | COUVERCLE FRONTAL (PEINTE ROUGE AVEC MODELE) |
| | 263277 | FRONT COVER (RED PAINTED WITHOUT MODEL) | TAPA FRONTAL N-MP ROJO (PINTADA ROJA SIN MODELO) | COUVERCLE FRONTAL (PEINTE ROUGE SANS MODELE) |
| | 282558 | FRONT COVER (GREY PAINTED WITH MODEL) | TAPA FRONTAL GRIS S-P-C(SIM) (PINTADA GRIS CON MODELO) | COUVERCLE FRONTAL (PEINTE GRIS AVEC MODELE) |
| | 263293 | FRONT COVER (GREY PAINTED WITHOUT MODEL) | TAPA FRONTAL N-MP GRIS (PINTADA GRIS SIN MODELO) | COUVERCLE FRONTAL (PEINTE GRIS SANS MODELE) |
| | 262402 | FRONT COVER (INOX) | TAPA FRONTAL INOX S-P-C(SIM) (INOX) | COUVERCLE FRONTAL (INOX) |
| 41 | 282566 | FRONT COVER (RED PAINTED WITH MODEL) | TAPA FRONTAL ROJO C(COM) (PINTADA ROJA CON MODELO) | COUVERCLE FRONTAL (PEINTE ROUGE AVEC MODELE) |
| | 263319 | FRONT COVER (RED PAINTED WITHOUT MODEL) | TAPA FRONTAL M ROJO (PINTADA ROJA SIN MODELO) | COUVERCLE FRONTAL (PEINTE ROUGE SANS MODELE) |
| | 282574 | FRONT COVER (GREY PAINTED WITH MODEL) | TAPA FRONTAL GRIS C(COM) (PINTADA GRIS CON MODELO) | COUVERCLE FRONTAL (PEINTE GRIS AVEC MODELE) |
| | 263335 | FRONT COVER (GREY PAINTED WITHOUT MODEL) | TAPA FRONTAL M GRIS (PINTADA GRIS SIN MODELO) | COUVERCLE FRONTAL (PEINTE GRIS SANS MODELE) |
| | 262386 | FRONT COVER (INOX) | TAPA FRONTAL INOX C(COM) (INOX) | COUVERCLE FRONTAL (INOX) |
| 42 | 261214 | TOE PLATE | ZOCALO | SOCLE |
| 43 | 144337 | ALLEN SCREW DIN912 M 6X15 | TORNILLO ALLEN DIN912 M 6X15 | VIS ALLEN DIN912 M 6X15 |
| 44 | 261339 | RIGHT SIDE PANEL (PAINTED) | TAPA LATERAL DERECHA (PINTADA) | COUVERCLE LATERAL DROIT (PEINT) |
| | 261982 | RIGHT SIDE PANEL (INOX) | TAPA LATERAL DERECHA (INOX) | COUVERCLE LATERAL DROIT (INOX) |
| 45 | 261347 | LEFT SIDE PANEL (PAINTED) | TAPA LATERAL IZQUIERDA (PINTADA) | COUVERCLE LATERAL GAUCHE (PEINT) |
| | 261990 | LEFT SIDE PANEL (INOX) | TAPA LATERAL IZQUIERDA (INOX) | COUVERCLE LATERAL GAUCHE (INOX) |
| 46 | 144881 | INOX HEX SCREW DIN933 M 6X15 | TOR.EX.INOX DIN933 M 6X 15 | VIS HEX INOX DIN933 M 6X15 |
| 47 | 277525 | REAR PLATE | TAPA POSTERIOR | COUVERCLE ARRIERE |
| 48 | 149153 | CYL PLATE SCREW DIN797110X5/8" | TOR.CHAPA CILINDIN7971 10X5/8" | VIS PLAQUE CYL DIN7971 10X5/8" |

| Nº | REF. | DENOMINATION | DENOMINACION | DÉNOMINATION |
|----|--------|-------------------------------|--------------------------------|--------------------------------|
| 49 | 149534 | BICR.WASHER B DIN125-ST 5,3 | ARAN.B DIN125-ST BICR. 5,3 | RONDELLE B BICR.DIN125-ST 5,3 |
| 50 | 135228 | NUT NUL 506-2A REF. 213047-3 | TUERCA SEG.NUL 506-2B 213048-1 | ECROU NUL 506-2A REF. 213047-3 |
| 51 | 277665 | REAR PANEL | PANEL POSTERIOR | PANNEAU POSTERIEUR |
| 52 | 139683 | CONE ECPC-6 | CONO HIMEL ECPC-6 | CONE ECPC-6 |
| 53 | 140103 | STUFFING-BOX PG-11 | PRENSAESTOPAS PG-11 | PRESSE-ETOUPE PG-11 |
| 54 | 140236 | COUNTERNUT PG-11 | CONTRATUERCA PG-11 | CONTREECROU PG-11 |
| 55 | 193862 | NTC RESISTANCE 2322 640 90034 | RESISTENCIA NTC 2322 640 90042 | RESISTANCE NTC 2322 640 90034 |
| 56 | 256149 | SENSOR SHEATH LODGING | PASAMUROS SENSOR | LOGEMENT SENSEUR |



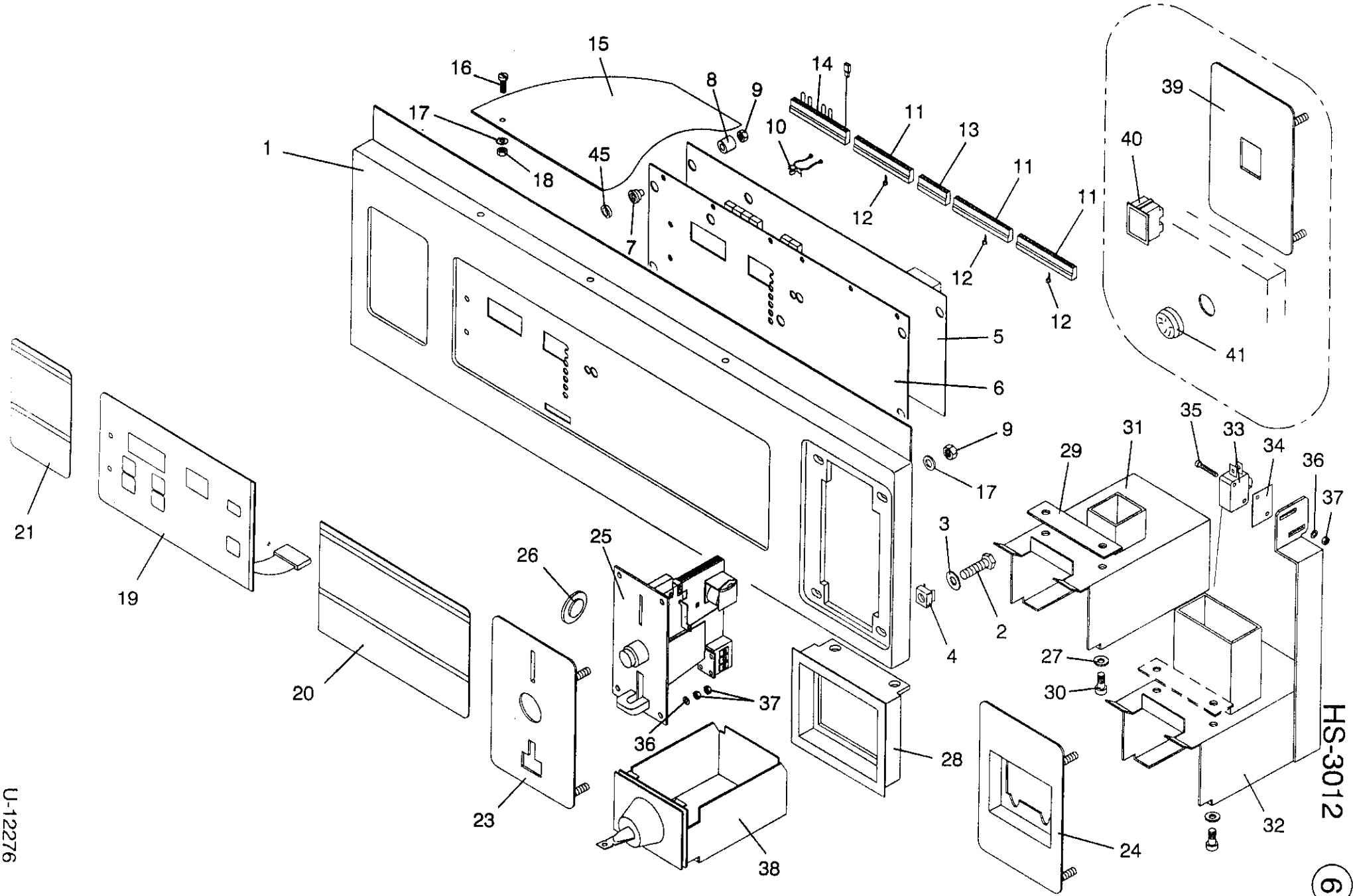
U-12275

HS-3012

5

| Nº | REF. | DENOMINATION | DENOMINACION | DÉNOMINATION |
|----|----------|--------------------------------|--------------------------------|--------------------------------|
| 1 | 260935 * | DOOR | ESCOTILLA | HUBLOT |
| 2 | 187146 | DOOR GASKET | JUNTA ESCOTILLA | JOINT HUBLOT |
| 3 | 187153 | SPYHOLE | MIRILLA | VITRE |
| 4 | 189555 | DOOR PIECE | PIEZA ESCOTILLA | PIECE HUBLOT |
| 5 | 261156 | DOOR BOLT | BULON ESCOTILLA | BOULON HUBLOT |
| 6 | 128827 | SELFOIL SLEEVE B11B12-17-15/22 | COJ. SELFOIL B11B12-17-15/22-3 | FRETTE SELFOIL B11B12-17-15/22 |
| 7 | 261131 | HINGE | BISAGRA | CHARNIERE |
| 8 | 192781 | ALLEN SCREW DIN 912 M-10X45 | TORNILLO ALLEN DIN912 M10X45 | VIS ALLEN DIN 912 M-10X45 |
| 9 | 189506 | HINGE STOPPER | TAPON CHARNELA | BOUCHON CHARNIERE |
| 10 | 189571 | FRONT FRAME | MARCO FRONTAL | CADRE FRONTAL |
| 11 | 193540 | MIKALOR QUICK FIXING 211038-8 | SUJEC.RAPIDA MIKALOR 211038-8 | FIXATION RAPIDE MIKALOR |
| 12 | 261149 | FRONT FRAME PROFILE | PERFIL MARCO FRONTAL | PROFILE CADRE FRONTAL |
| 13 | 279760 | MICROSWITCH | MINIRRUPTOR | MICRORRUPTEUR |
| 14 | 281113 | MICROSWITCH ISOLATION | AISLANTE MICRORRUPTOR | ISOLANT MICRORRUPTEUR |
| 15 | 281204 | MICROSWITH BRACKET | SOPORTE MICRORRUPTOR | SUPPORT MICRORRUPTEUR |
| 16 | 146043 | BIC CYL SCREW DIN84-4,8 M3X16 | TOR.CIL.DIN84-4.8 BICR.M 3X16 | VIS CYL DIN84-4,8 BICR.M3X16 |
| 17 | 146282 | BICR.HEX SCREW DIN933-8 M 5X15 | TOR.EX.DIN933-8.8 BICR.M 5X 15 | VIS HEX BICR.DIN933-8.8 M 5X15 |
| 19 | 149534 | BICR.WASHER B DIN125-ST 5,3 | ARAN.B DIN125-ST BICR. 5,3 | RONDELLE B BICR.DIN125-ST 5,3 |
| 20 | 261404 | LOCKING SHAFT | EJE CIERRE | AXE FERMETURE |
| 21 | 194175 | LOCKING LEVER | PALANCA CIERRE | LEVIER FERMETURE |
| 22 | 187401 | LOCKING HANDLE SPRING | MUELLE MANECILLA CIERRE | RESSORT POIGNEE FERMETURE |
| 23 | 189985 | KNOB | EMPUÑADURA | POIGNEE |
| 24 | 193599 | KNOB PLATE | PLACA EMPUÑADURA | PLAQUE POIGNEE |
| 25 | 193680 | ADJUSTING WASHER PS10X16X0,5 | ARAN.AJUSTE PS10X16X0,5 DIN988 | RONDELLE REGLAGE PS10X16X0,5 |
| 26 | 149583 | SAFETY WASHER 7 DIN 6799 | ARANDELA SEGURIDAD 7 DIN 6799 | RONDELLE SECURITE 7 DIN 6799 |
| 27 | 189993 | KNOB STOPPER | TAPON EMPUÑADURA | BOUCHON POIGNEE |
| 28 | 261396 | JOINT PLATE | PLETINA ARTICULACION | PLAT ARTICULATION |
| 29 | 147629 | ZINC SCREW DIN963-4.8 M 4X13 | TOR.AV.DIN963-4.8 BICR M 4X13 | VIS ZINC DIN963-4.8 M 4X13 |
| 30 | 194183 | BLOCKING SEMI-DISK | SEMI-DISCO | DEMI-DISQUE BLOCAGE |
| 31 | 262865 | SEMI-DISK BOLT | BULON SEMI-DISCO | BOULON DEMI-DISQUE |

| Nº | REF. | DENOMINATION | DENOMINACION | DÉNOMINATION |
|----|----------|-------------------------------|--------------------------------|--------------------------------|
| 32 | 263772 | END PIECE | PIEZA TOPE | PIECE ARRET |
| 33 | 146233 | BICR.HEX SCREW DIN933-8 M6X15 | TOR.EX.DIN933-8.8 BICR.M 6X 15 | VIS HEX DIN933-8.8 BICR.M6X15 |
| 35 | 149526 | BICR.WASHER B DIN125-ST 6,4 | ARAN.B DIN125-ST BICR. 6,4 | RONDELLE B DIN125-ST BICR.6,4 |
| 36 | 281071 + | LOCKING BOX OUTER-DRUM | ENVOLVENTE CAJA CIERRE | CUVE BOITE FERMETURE |
| 37 | 281048 | MICROSWITCH FISING BRACKET | SOPORTE FIJACION MICRORRUPTOR | SUPPORT FIXATION MICRORRUPTEUR |
| 38 | 302000 | LOCKING SLIDER | CORREDERA CIERRE | COULISSE FERMETURE |
| 40 | 281055 | SLIDING JOINTING | UNION CORREDERA | UNION COULISSE |
| 41 | 146100 | BICR CYL SCREW DIN 84 M-4X20 | TOR.CIL.DIN84-4.8 BICR.M 4X20 | VIS CYL BICR DIN 84-4.8 M 4X20 |
| 43 | 149476 | BICR.WASHER B DIN125-ST 4,3 | ARAN.B DIN125-ST BICR. 4,3 | RONDELLE B DIN125-ST BICR.4,3 |
| 44 | 146092 | BICR CYLD SCREW DIN84 M 4X 16 | TOR.CIL.DIN84-4.8 BICR.M 4X16 | VIS CYL BICR DIN84-4.8 M 4X 16 |
| 45 | 132043 | SELFBLOCKING NUT DIN985 M 4 | TUER.AUTOBL.DIN985-8 BICR.M 4 | ECROU AUTOBLOCANT DIN985 M 4 |
| 46 | 280891 | SLIDING BLOCKING PIECE | PIEZA BLOQUEADOR DESLIZANTE | PIECE BLOQUEUR COULISSANT |
| 47 | 196774 | THERMO-ACTUATOR 100331 15 | TERMOACTUADOR 100331.15 NTA 6 | THERMO-ACTIONNEMENT 100331 15 |
| 48 | 147561 | SCREW DIN963-4.8 M 3X 7 | TOR.AV.DIN963-4.8 BICR M 3X 7 | VIS DIN963-4.8 BICR M 3X 7 |
| 49 | 149484 | BICR.WASHER B DIN125-ST 3,2 | ARAN.B DIN125-ST BICR. 3,2 | RONDELLE B.DIN125-ST BICR. 3,2 |
| 51 | 279760 | MICROSWITCH | MINIRRUPTOR | MICRORRUPTEUR |
| 52 | 281238 | LOCKING BOX PROTECTION COVER | TAPA PROTECCION CAJA CIERRE | COUVERCLE PROT.BOITE FERMETURE |
| 53 | 303131 | BICR.SCREW DIN963-4.8 M 3X 20 | TOR.AV.DIN963-4.8 BICR M 3X20 | VIS.T/FRAIS DIN963-4.8 B.M3X20 |
| 55 | 149906 | INOX. HEX. NUT DIN 934 M-3 | TUERCA EX. INOX DIN934 M 3 | ECROU HEX. INOX DIN934 M-3 |
| 56 | 150177 | BICR HEX NUT DIN934-8 M5 | TUER.EX.DIN934-8 BICR.M 5 | ECROU HEX DIN934-8 BIC.M5 |
| 57 | 281063 | LOCKING BOX BRACKET | SOPORTE CAJA CIERRE | SUPPORT BOITE FERMETURE |
| 58 | 198069 | SPRING | MUELLE COMPENSADOR | RESSORT |
| 61 | 272575 | SLIDING BLOCKER | BLOQUEADOR DESLIZANTE | BLOQUEUR COULISSANT |
| 62 | 160838 | WASHER 14X6X1,5 | ARANDELA 14X6X1,5 | RONDELLE 14X6X1,5 |
| 63 | 146076 | BICR ROUND SCREW DIN84 M 4X 8 | TOR.CIL.DIN84-4.8 BICR.M 4X 8 | VIS ROND BICR DIN84-4.8 M 4X 8 |
| 64 | 150185 | BICR.HEX.NUT DIN934-8 M4 | TUER.EX.DIN934-8 BICR.M 4 | ECROU HEX.DIN934-8 BICR.M4 |
| 65 | 198051 | BICR HEX SCREW DIN931-8.M4X35 | TOR.EX.DIN931-4.8 BICR.M 4X 35 | VIS HEX BICR.DIN931-8.8 M 4X35 |
| 66 | 278622 | SLIDING BLOCKING SCREW | TORNILLO BLOQUEADOR DESLIZANTE | VIS BLOQUEUR COULISSANT |
| * | 260943 | COMPLETE DOOR | ESCOTILLA COMPLETA | HUBLOT COMPLET |
| + | 281105 | COMPLETE LOCKING BOX | CAJA CIERRE COMPLETA | BOITE FERMETURE COMPLETE |

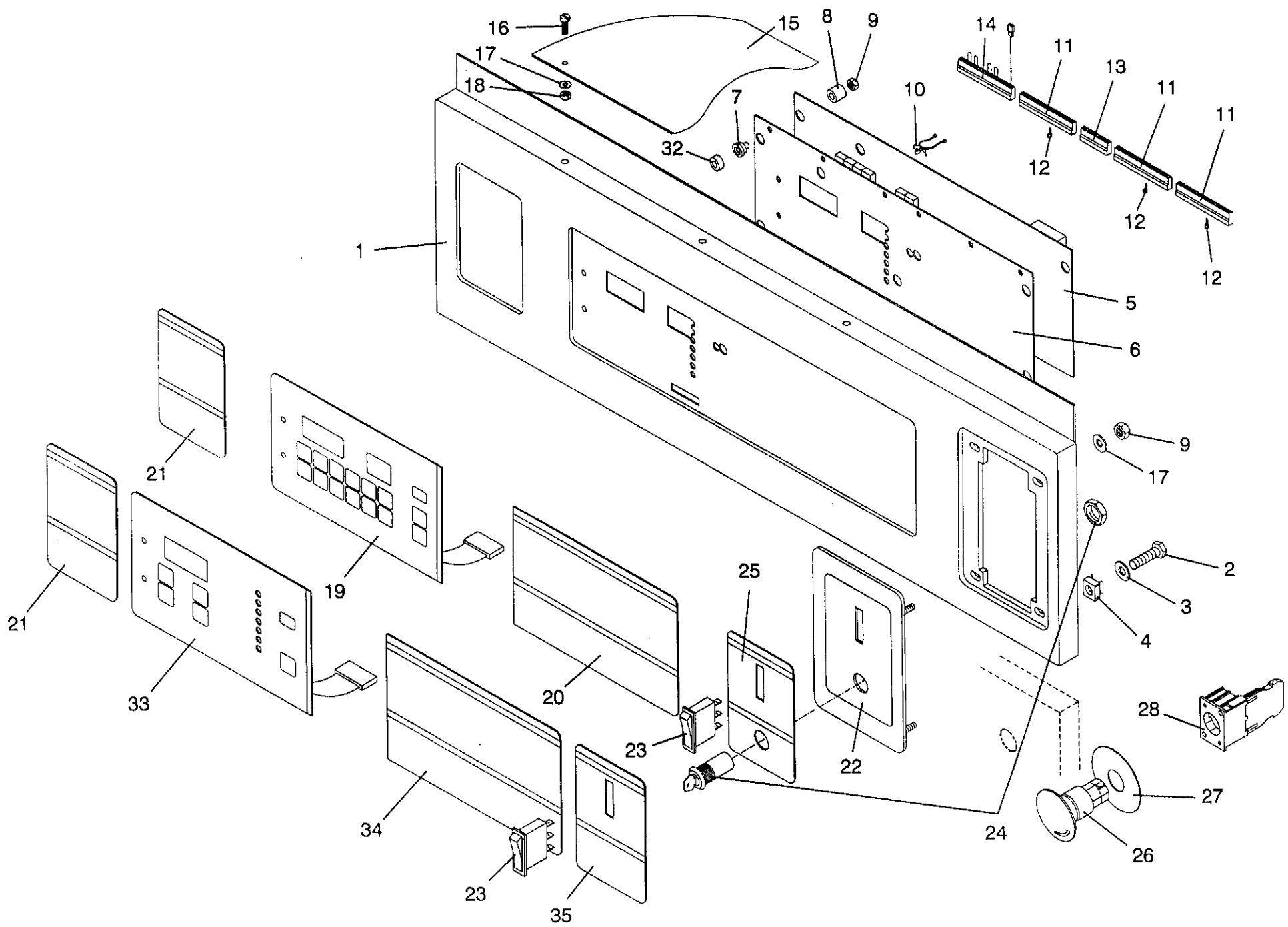


HS-3012

| Nº | REF. | DENOMINATION | DENOMINACION | DÉNOMINATION |
|----|--------|--------------------------------|--------------------------------|----------------------------------|
| 1 | 276659 | CONTROL PANEL | PANEL DE MANDOS | TABLEAU DE COMMANDES |
| 2 | 144881 | INOX HEX SCREW DIN933 M 6X15 | TOR.EX.INOX DIN933 M 6X 15 | VIS HEX INOX DIN933 M 6X15 |
| 3 | 149310 | INOX.A2 WASHER DIN125 6,4 | ARAN. DIN125 INOX A2 6,4 | RONDELLE INOX.A2 DIN125 6,4 |
| 4 | 165019 | CAGED NUT M-6 0,5-1,5 | TUER.ENJ.M6 0,5-1,5 R.310007-9 | ECROU ENCAGE M-6 0,5-1,5 |
| 5 | 300798 | PROCESSOR BOARD SM/CM | PLACA MICROPROCESADOR SM/CM | PLAQUE MICROPROCESSEUR SM/CM |
| | 303354 | EPROM FOR WASHER SM/CM VER3 | EPROM LAVADORAS SM/CM VER3 | EPROM P.MACH.A LAVER SM/CM V3 |
| | 303933 | EEPROM ST24C04 | EEPROM ST24C04 | EEPROM ST24C04 |
| | 187203 | INPUT OPTOISOLATOR 4N26 | OPTOACOPLADOR ENTRADA 4N26 | OPTOISOLATOR ENTREE 4N26 |
| | 187211 | OUTPUT OPTOISOLATOR S21MD4V | OPTOACOPLADOR SALIDA S21MD4V | OPTOISOLATOR SORTIE S21MD4V |
| | 188003 | DISPLAY TDSR 5160 | DISPLAY TDSR 5160 | DISPLAY TDSR 5160 |
| 6 | 278317 | PROCESSOR ISOLATOR | AISLANTE MICROPROCESADOR | ISOLANT MICROPROCESSEUR |
| 7 | 277392 | PLATE-CONTROL SEPARATOR | SEPARADOR PANEL-PLACA | SEPARATEUR TABLEAU-PLAQUE |
| 8 | 277400 | NUT-PLATE SEPARATOR | SEPARADOR PLACA-TUERCA | SEPARATEUR PLAQUE-ECROU |
| 9 | 150185 | BICR.HEX.NUT DIN934-8 M4 | TUER.EX.DIN934-8 BICR.M 4 | ECROU HEX.DIN934-8 BICR.M4 |
| 10 | 199893 | CLAMP STL-3N-450 | ABRAZADERA STL-3N-450 | BRIDE STL-3N-450 |
| 11 | 197301 | PROTECTOR AMP-UNYT 1-640029-6 | PROTECTOR AMP-UNYT 1-640029-6 | PROTECTEUR AMP-UNYT 1-640029-6 |
| 12 | 197426 | POLARIZATION AMP 640180-1 | POSICIONADOR AMP 640180-1 | POLARIZATION AMP 640180-1 |
| 13 | 199810 | PROTECTOR AMP-UNYT 640029-8 | PROTECTOR AMP-UNYT 640029-8 | PROTECTEUR AMP-UNYT 640029-8 |
| 14 | 279158 | IDENTIFICATION PLUG | CONECTORA IDENTIFICACION | CONNECTEUR IDENTIFICATION |
| 15 | 258277 | PROCESSOR BOARD LID | TAPA PLACA MICROPROCESADOR | COUVERCLE PLAQUE MICROPROCESSEUR |
| 16 | 145649 | INOX FLAT SCREW DIN85 M 4X10 | TOR.PLA.DIN85 INOX A2-70 M4X10 | VIS PLAT INOX DIN85 M-4X10 A2 |
| 17 | 219758 | WASHER 12X4X1,5 | ARANDELA 12X4X1,5 | RONDELLE 12X4X1,5 |
| 18 | 132043 | SELFBLOCKING NUT DIN985 M 4 | TUER.AUTOBL.DIN985-8 BICR.M 4 | ECROU AUTOBLOCANT DIN985 M 4 |
| 19 | 300681 | WASHER KEYBOARD CM | TECLADO LAVADORA CM | CLAVIER LAVEUSE CM |
| 20 | 301317 | ENGLISH OPERATION INSTR.PLATE | PLACA INSTR.FUNCION. IN. | PLAQUE INST.FONCTION ANGLAIS |
| | 301325 | SPANISH OPERATION INSTR.PLATE | PLACA INSTR.FUNCION. ES. | PLAQUE INST.FONCTION ESPAGNOL |
| | 301333 | FRENCH OPERATION INSTR.PLATE | PLACA INSTR.FUNCION. FR. | PLAQUE INST.FONCTION FRANCAIS |
| | 301341 | GERMAN OPERATION INSTR.PLATE | PLACA INSTR.FUNCION. AL. | PLAQUE INST.FONCTION ALLEMAND |
| | 301358 | ITALIAN OPERATION INSTR.PLATE | PLACA INSTR.FUNCION. IT. | PLAQUE INST.FONCTION ITALIEN |
| | 301366 | PORTUGUESE OPERATION INST.PLAT | PLACA INSTR.FUNCION. PO. | PLAQUE INST.FONCTION PORTUGAIS |

| Nº | REF. | DENOMINATION | DENOMINACION | DÉNOMINATION |
|----|--------|---|--|---|
| | 301374 | DUTCH OPERATION INSTR.PLATE | PLACA INSTR.FUNCION. HO. | PLAQUE INST.FONCTION HOLLAND. |
| | 301382 | DANISH OPERATION INSTR.PLATE | PLACA INSTR.FUNCION. DA. | PLAQUE INST.FONCTION DANOIS |
| | 301390 | FINNISH OPERATION INSTR.PLATE | PLACA INSTR.FUNCION. FI. | PLAQUE INST.FONCTION FINLAND |
| | 301408 | NORWEGIAN OPERATION INSTR.PLAT | PLACA INSTR.FUNCION. NO. | PLAQUE INST.FONCTION NORVÈGE |
| | 301416 | SWEDISH OPERATION INSTR.PLATE | PLACA INSTR.FUNCION. SU. | PLAQUE INST.FONCTION SUÉDOIS |
| | 301424 | GREEK OPERATION INSTR.PLATE | PLACA INSTR.FUNCION. GR. | PLAQUE INST.FONCTION GREC |
| | 301432 | JAPENESE OPERATION INSTR.PLATE | PLACA INSTR.FUNCION. JA. | PLAQUE INST.FONCTION JAPONAIS |
| 21 | 301069 | ENGLISH SAFETY INSTR.PLATE | PLACA INSTR.SEGURIDAD IN. | PLAQUE INSTR.SECURITE ANGLAIS |
| | 301077 | SPANISH SAFETY INSTR.PLATE | PLACA INSTR.SEGURIDAD ES. | PLAQUE INSTR.SECURITE ESPAGNOL |
| | 301085 | FRENCH SAFETY INSTR.PLATE | PLACA INSTR.SEGURIDAD FR. | PLAQUE INSTR.SECURITE FRANCAIS |
| | 301093 | GERMAN SAFETY INSTR.PLATE | PLACA INSTR.SEGURIDAD AL. | PLAQUE INSTR.SECURITE ALLEMAND |
| | 301101 | ITALIAN SAFETY INSTR.PLATE | PLACA INSTR.SEGURIDAD IT. | PLAQUE INSTR.SECURITE ITALIEN |
| | 301119 | PORTUGUESE SAFETY INSTR.PLATE | PLACA INSTR.SEGURIDAD PO. | PLAQUE INST.SECURITE PORTUGAIS |
| | 301127 | DUTCH SAFETY INSTR.PLATE | PLACA INSTR.SEGURIDAD HO. | PLAQUE INSTR.SECURITE HOLLAND. |
| | 301135 | DANISH SAFETY INSTR.PLATE | PLACA INSTR.SEGURIDAD DA. | PLAQUE INSTR.SAFETY DANOIS |
| | 301143 | FINNISH SAFETY INSTR.PLATE | PLACA INSTR.SEGURIDAD FI. | PLAQUE INSTR.SECURITE FINLAND. |
| | 301150 | NORWEGIAN SAFETY INSTR.PLATE | PLACA INSTR.SEGURIDAD NO. | PLAQUE INST.SECURITE NORVÉGIEN |
| | 301168 | SWEDISH SAFETY INSTR.PLATE | PLACA INSTR.SEGURIDAD SU. | PLAQUE INSTR.SECURITE SUÉDOIS |
| | 301176 | GREEK SAFETY INSTR.PLATE | PLACA INSTR.SEGURIDAD GR. | PLAQUE INSTR.SECURITE GREC |
| | 301184 | JAPENESE SAFETY INSTR.PLATE | PLACA INSTR.SEGURIDAD JA. | PLAQUE INSTR.SECURITE JAPONAIS |
| 23 | 278333 | COIN METER PLATE (EXCEPT GREENWALD COIN METER) | PLACA MONEDERO (EXCEPTO MONEDERO GREENWALD) | PLAQUE MONNAYEUR (SAUF MONNAYEUR GREENWALD) |
| 24 | 281162 | COIN-METER PLATE (FOR GREENWALD COIN-METER) | PLACA MONEDERO (PARA MONEDERO GREENWALD) | PLAQUE MONNAYEUR (POUR MONNAYEUR GREENWALD) |
| 25 | 130831 | COIN-METER B-400 TOKEN GIRBAU OTHER COIN-METERS B-400 (TO SPECIFY COIN) | MONEDERO ISMEA B-400 FICHA G. OTROS MONEDEROS B-400 (ESPECIFICAR MONEDA) | MONNAYEUR B-400 JETON GIRBAU AUTRES MONNAYEURS B-400 (SPECIFIER MONNAI) |
| | 182295 | COIN-METER ELECTROMAGNET B-400 | ELECTROI.MONE.ISMEA B400 220V | ELECTROAIMANT MONNAYEUR B-400 |
| | 177022 | COIN-METER MICROSWITCH B400 | MICRORRUP.MONEDERO ISMEA B400 | MICRORRUPTEUR MONNAYEUR B400 |
| 26 | 147710 | TOKEN GIRBAU 24R15 | FICHA 24R15 CON ANAGRAM.GIRBAU | JETON GIRBAU 24R15 |
| 27 | 149476 | BICR.WASHER B DIN125-ST 4,3 | ARAN.B DIN125-ST BICR. 4,3 | RONDELLE B DIN125-ST BICR.4,3 |

| Nº | REF. | DENOMINATION | DENOMINACION | DÉNOMINATION |
|----|--------|--|--|---|
| 28 | 258665 | COIN BOX PLATE | CARATULA CAJON MONEDAS | PLAQUE BOITE MONNAIES |
| 29 | 280768 | BOX BRACKET FIXING | SUJECION APOYO CAJON | FIXATION APPUI BOITE |
| 30 | 161646 | ALLEN SCREW DIN 912 M-4X8 | TORNILLO ALLEN DIN912 M 4X 8 | VIS ALLEN DIN 912 M-4X8 |
| 31 | 281170 | BOX BRACKET (EXCEPT GREENWALD COIN METER) | APOYO CAJON (EXCEPTO MONEDERO GREENWALD) | SUPPORT BOITE (SAUF MONNAYEUR GREENWALD) |
| 32 | 284083 | BOX BRACKET (FOR GREENWALD COIN-METER) | APOYO CAJON RECOGEMONEDAS (PARA MONEDERO GREENWALD) | APPUI BOX (POUR MONNAYEUR GREENWALD) |
| 33 | 284208 | COIN-METER MICROSWITCH (FOR GREENWALD COIN-METER) | MICRORRUPTOR MONEDERO (PARA MONEDERO GREENWALD) | MICRORRUPTEUR MONNAYEUR (POUR MONNAYEUR GREENWALD) |
| 34 | 244327 | MICROSWITCH ISOLATION | AISLANTE MICRORRUPTOR | ISOLANT MICRORRUPTEUR |
| 35 | 146050 | BICR CYL SCREW DIN84 M-3X20 | TOR.CIL.DIN84-4.8 BICR.M 3X20 | VIS CYL BICR DIN84-4.8 M 3X20 |
| 36 | 149484 | BICR.WASHER B DIN125-ST 3,2 | ARAN.B DIN125-ST BICR. 3,2 | RONDELLE B.DIN125-ST BICR. 3,2 |
| 37 | 149906 | INOX. HEX. NUT DIN 934 M-3 | TUERCA EX. INOX DIN934 M 3 | ECROU HEX. INOX DIN934 M-3 |
| 38 | 169169 | COIN BOX UG400A GI | CAJA MONEDAS UG400A GI | BOITE MONNAIS UG400A GI |
| 39 | 279745 | PUSH-BUTTON PLATE | PLACA PULSADOR | PLAQUE PULSATEUR |
| 40 | 138339 | PUSH-BUTTON 2WIXII/5518 | PULSADOR 2WIXII/5518 | BOUTON-POUSSOIR 2WIXII/5518 |
| 41 | 160101 | THERMOSTAT INTAKE STOPPER | TAPON TOMA TERMOSTATO | BOUCHON PRISE THERMOSTAT |
| 45 | 279901 | SEPARATOR WASHER | ARANDELA SEPARADOR | RONDELLE SEPARATEUR |

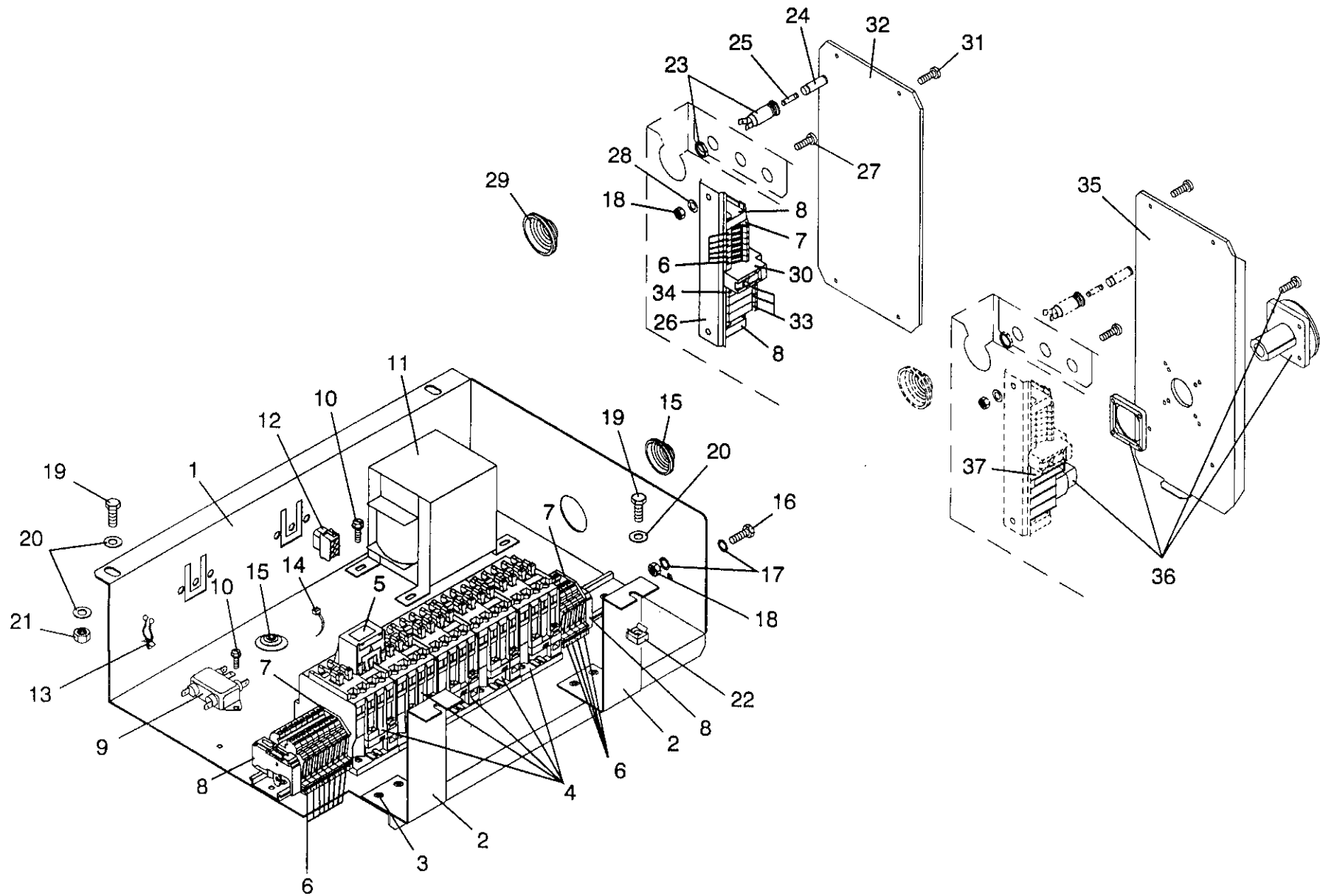


| Nº | REF. | DENOMINATION | DENOMINACION | DÉNOMINATION |
|----|--------|---|--|---|
| 1 | 276659 | CONTROL PANEL | PANEL DE MANDOS | TABLEAU DE COMMANDES |
| 2 | 144881 | INOX HEX SCREW DIN933 M 6X15 | TOR.EX.INOX DIN933 M 6X 15 | VIS HEX INOX DIN933 M 6X15 |
| 3 | 149310 | INOX.A2 WASHER DIN125 6,4 | ARAN. DIN125 INOX A2 6,4 | RONDELLE INOX.A2 DIN125 6,4 |
| 4 | 165019 | CAGED NUT M-6 0,5-1,5 | TUER.ENJ.M6 0,5-1,5 R.310007-9 | ECROU ENCAGE M-6 0,5-1,5 |
| 5 | 300806 | PROCESSOR BOARD PM (FOR PM) | PLACA MICROPROCESADOR PM (PARA PM) | PLAQUE MICROPROCESSEUR PM (POUR PM) |
| | 300798 | PROCESSOR BOARD SM/CM (FOR SM) | PLACA MICROPROCESADOR SM/CM (PARA SM) | PLAQUE MICROPROCESSEUR SM/CM (POUR SM) |
| | 303347 | EPROM FOR WAKER PM3 VER2 (FOR PM) | EPROM LAVADORAS PM3 VER2 (PARA PM) | EPROM POUR MACH.A LAVER PM3 V2 (POUR PM) |
| | 303354 | EPROM FOR WASHER SM/CM VER3 (FOR SM) | EPROM LAVADORAS SM/CM VER3 (PARA SM) | EPROM P.MACH.A LAVER SM/CM V3 (POUR SM) |
| | 187195 | RAM ZERO POWER MK48Z08-10 (FOR PM) | RAM ZERO POWER MK48Z08-10 (PARA PM) | RAM ZERO POWER MK48Z08-10 (POUR PM) |
| | 303933 | EEPROM ST24C04 (FOR SM) | EEPROM ST24C04 (PARA SM) | EEPROM ST24C04 (POUR SM) |
| | 187203 | INPUT OPTOISOLATOR 4N26 | OPTOACOPLADOR ENTRADA 4N26 | OPTOISOLATOR ENTREE 4N26 |
| | 187211 | OUTPUT OPTOISOLATOR S21MD4V | OPTOACOPLADOR SALIDA S21MD4V | OPTOISOLATOR SORTIE S21MD4V |
| | 188003 | DISPLAY TDSR 5160 | DISPLAY TDSR 5160 | DISPLAY TDSR 5160 |
| 6 | 278317 | PROCESSOR ISOLATOR | AISLANTE MICROPROCESADOR | ISOLANT MICROPROCESSEUR |
| 7 | 277392 | PLATE-CONTROL SEPARATOR | SEPARADOR PANEL-PLACA | SEPARATEUR TABLEAU-PLAQUE |
| 8 | 277400 | NUT-PLATE SEPARATOR | SEPARADOR PLACA-TUERCA | SEPARATEUR PLAQUE-ECROU |
| 9 | 150185 | BICR.HEX.NUT DIN934-8 M4 | TUER.EX.DIN934-8 BICR.M 4 | ECROU HEX.DIN934-8 BICR.M4 |
| 10 | 199893 | CLAMP STL-3N-450 | ABRAZADERA STL-3N-450 | BRIDE STL-3N-450 |
| 11 | 197301 | PROTECTOR AMP-UNYT 1-640029-6 | PROTECTOR AMP-UNYT 1-640029-6 | PROTECTEUR AMP-UNYT 1-640029-6 |
| 12 | 197426 | POLARIZATION AMP 640180-1 | POSICIONADOR AMP 640180-1 | POLARIZATION AMP 640180-1 |
| 13 | 199810 | PROTECTOR AMP-UNYT 640029-8 | PROTECTOR AMP-UNYT 640029-8 | PROTECTEUR AMP-UNYT 640029-8 |
| 14 | 279174 | IDENTIFICATION PLUG (FOR PM) | CONECTORA IDENTIFICACION (PARA PM) | CONNECTEUR IDENTIFICATION (POUR PM) |
| | 279166 | IDENTIFICATION PLUG (FOR SM) | CONECTORA IDENTIFICACION (PARA SM) | CONNECTEUR IDENTIFICATION (POUR SM) |
| 15 | 258277 | PROCESSOR BOARD LID | TAPA PLACA MICROPROCESADOR | COUVERCLE PLAQ.MICROPROCESSEUR |
| 16 | 145649 | INOX FLAT SCREW DIN85 M 4X10 | TOR.PLA.DIN85 INOX A2-70 M4X10 | VIS PLAT INOX DIN85 M-4X10 A2 |
| 17 | 219758 | WASHER 12X4X1,5 | ARANDELA 12X4X1,5 | RONDELLE 12X4X1,5 |

| Nº | REF. | DENOMINATION | DENOMINACION | DÉNOMINATION |
|----|--------|---|---------------------------------------|---|
| 18 | 132043 | SELFBLOCKING NUT DIN985 M 4 | TUER.AUTOBL.DIN985-8 BICR.M 4 | ECROU AUTOBLOCANT DIN985 M 4 |
| 19 | 300673 | WASHER KEYBOARD PM (FOR PM) | TECLADO LAVADORA PM (PARA PM) | CLAVIER LAVEUSE PM (POUR PM) |
| 20 | 301440 | ENGLISH OPERATION INSTR.PLATE (FOR PM) | PLACA INSTR.FUNCION. IN. (PARA PM) | PLAQUE INSTR.FONCTION ANGLAIS (POUR PM) |
| | 301457 | SPANISH OPERATION INSTR.PLATE (FOR PM) | PLACA INSTR.FUNCION. ES. (PARA PM) | PLAQUE INSTR.FONCTION ESPAGNOL (POUR PM) |
| | 301465 | FRENCH OPERATION INSTR.PLATE (FOR PM) | PLACA INSTR.FUNCION. FR. (PARA PM) | PLAQUE INSTR.FONCTION FRANCAIS (POUR PM) |
| | 301473 | GERMAN OPERATION INSTR.PLATE (FOR PM) | PLACA INSTR.FUNCION. AL. (PARA PM) | PLAQUE INSTR.FONCTION ALLEMAND (POUR PM) |
| | 301481 | ITALIAN OPERATION INSTR.PLATE (FOR PM) | PLACA INSTR.FUNCION. IT. (PARA PM) | PLAQUE INSTR.FONCTION ITALIEN (POUR PM) |
| | 301499 | PORTUGUESE OPERATION INSTR.PLAT (FOR PM) | PLACA INSTR.FUNCION. PO. (PARA PM) | PLAQUE INST.FONCTION PORTUGAIS (POUR PM) |
| | 301507 | DUTCH OPERATION INSTR.PLATE (FOR PM) | PLACA INSTR.FUNCION. HO. (PARA PM) | PLAQUE INSTR.FONCTION HOLLAND. (POUR PM) |
| | 301515 | DANISH OPERATION INSTR.PLATE (FOR PM) | PLACA INSTR.FUNCION. DA. (PARA PM) | PLAQUE INSTR.FONCTION DANOIS (POUR PM) |
| | 301523 | FINNISH OPERATION INSTR.PLATE (FOR PM) | PLACA INSTR.FUNCION. FI. (PARA PM) | PLAQUE INSTR.FONCTION FINLAND. (POUR PM) |
| | 301531 | NORWEGIAN OPERATION INSTR.PLAT (FOR PM) | PLACA INSTR.FUNCION. NO. (PARA PM) | PLAQUE INSTR.FONCTION NORVÉG. (POUR PM) |
| | 301549 | SWEDISH OPERATION INSTR.PLATE (FOR PM) | PLACA INSTR.FUNCION. SU. (PARA PM) | PLAQUE INSTR.FONCTION SUÉDOIS (POUR PM) |
| | 301556 | GREEK OPERATION INSTR.PLATE (FOR PM) | PLACA INSTR.FUNCION. GR. (PARA PM) | PLAQUE INSTR.FONCTION GREC (POUR PM) |
| | 301564 | JAPANESE OPERATION INSTR.PLATE (FOR PM) | PLACA INSTR.FUNCION. JA. (PARA PM) | PLAQUE INSTR.FONCTION JAPONAIS (POUR PM) |
| 21 | 301069 | ENGLISH SAFETY INSTR.PLATE | PLACA INSTR.SEGURIDAD IN. | PLAQUE INSTR.SECURITE ANGLAIS |
| | 301077 | SPANISH SAFETY INSTR.PLATE | PLACA INSTR.SEGURIDAD ES. | PLAQUE INSTR.SECURITE ESPAGNOL |
| | 301085 | FRENCH SAFETY INSTR.PLATE | PLACA INSTR.SEGURIDAD FR. | PLAQUE INSTR.SECURITE FRANCAIS |
| | 301093 | GERMAN SAFETY INSTR.PLATE | PLACA INSTR.SEGURIDAD AL. | PLAQUE INSTR.SECURITE ALLEMAND |
| | 301101 | ITALIAN SAFETY INSTR.PLATE | PLACA INSTR.SEGURIDAD IT. | PLAQUE INSTR.SECURITE ITALIEN |
| | 301119 | PORTUGUESE SAFETY INSTR.PLATE | PLACA INSTR.SEGURIDAD PO. | PLAQUE INST.SECURITE PORTUGAIS |
| | 301127 | DUTCH SAFETY INSTR.PLATE | PLACA INSTR.SEGURIDAD HO. | PLAQUE INSTR.SECURITE HOLLAND. |
| | 301135 | DANISH SAFETY INSTR.PLATE | PLACA INSTR.SEGURIDAD DA. | PLAQUE INSTR.SAFETY DANOIS |

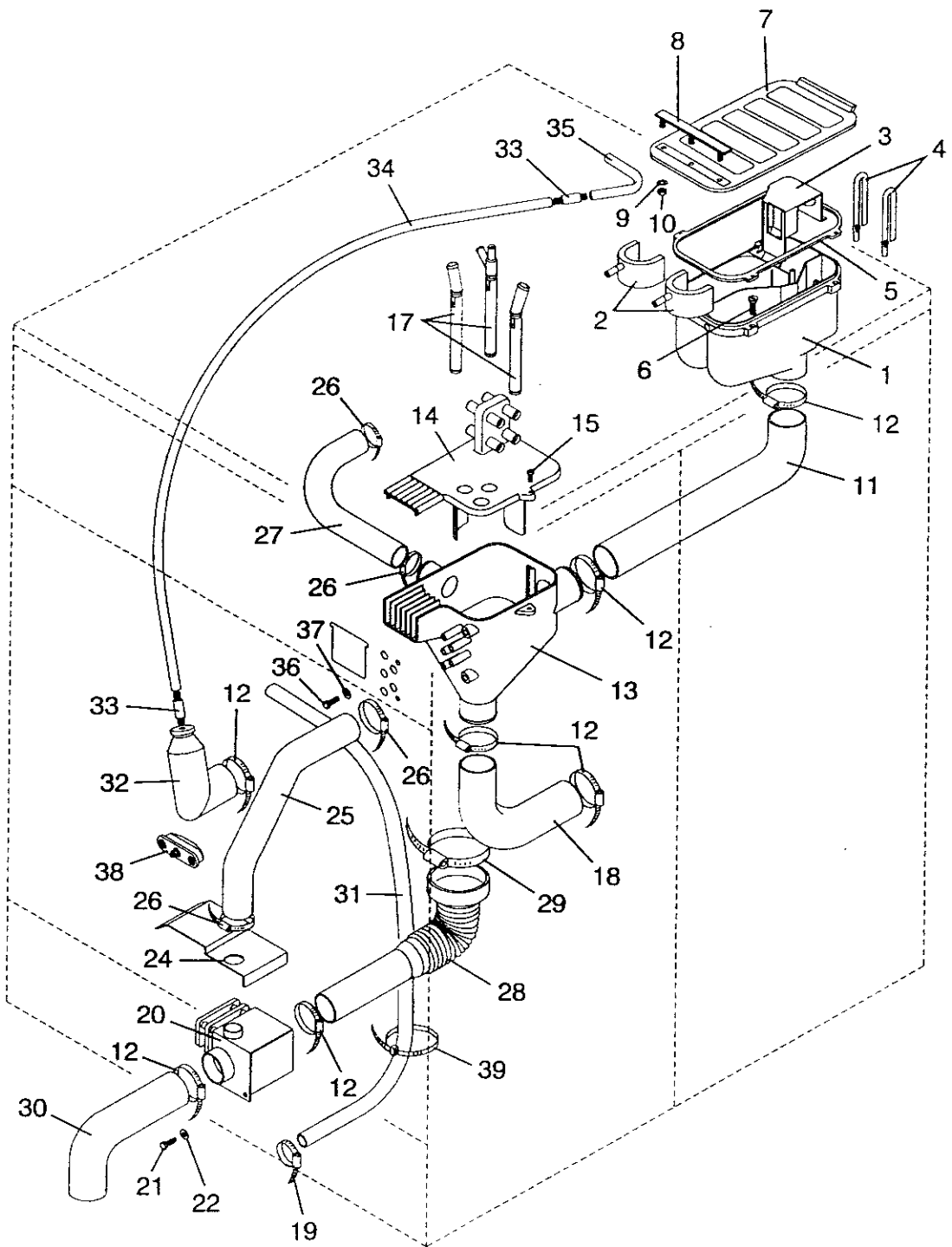
| Nº | REF. | DENOMINATION | DENOMINACION | DÉNOMINATION |
|----|--------|--|---------------------------------------|---|
| | 301143 | FINNISH SAFETY INSTR.PLATE | PLACA INSTR.SEGURIDAD FI. | PLAQUE INSTR.SECURITE FINLAND. |
| | 301150 | NORWEGIAN SAFETY INSTR.PLATE | PLACA INSTR.SEGURIDAD NO. | PLAQUE INST.SECURITE NORVÉGIEN |
| | 301168 | SWEDISH SAFETY INSTR.PLATE | PLACA INSTR.SEGURIDAD SU. | PLAQUE INSTR.SECURITE SUÉDOIS |
| | 301176 | GREEK SAFETY INSTR.PLATE | PLACA INSTR.SEGURIDAD GR. | PLAQUE INSTR.SECURITE GREC |
| | 301184 | JAPENESE SAFETY INSTR.PLATE | PLACA INSTR.SEGURIDAD JA. | PLAQUE INSTR.SECURITE JAPONAIS |
| 22 | 277384 | MICRO SUPPLEMENT PANEL | PANEL SUPLEMENTO MICRO. | PANNEAU SUPPLEMENT MICRO |
| 23 | 300780 | SWITCH 1WIXII/3359 WHITE | INTER.PILOTO 1WIXII/3359 BLANC | INTERRUPTEUR 1WIXII/3359 BLANC |
| 24 | 256230 | FUNCTION SWITCH (FOR PM) | CONMUTADOR FUNCIONES (PARA PM) | COMMUTATEUR FONCTIONS (POUR PM) |
| 25 | 301994 | GENERAL CONTROL PLATE (FOR PM) | PLACA MANDOS GENERALES (PARA PM) | PLAQUE COMMANDES GENERALES (POUR PM) |
| 26 | 192310 | MUSHROOM PUSH-BUTTON | PUL.HONGO ENCL.3SB10 00-1AC 01 | PULSATEUR TYPE COUP DE POING |
| 27 | 192294 | YELLOW RING | ARO AMARILLO | BAGUE JAUNE |
| 28 | 197343 | CONNECTION ELEMENT 3SB13 20-0A | ELEMENTO CONEXION 3SB13 20-0A | ELEMENT CONNEXION 3SB13 20-0A |
| 32 | 279901 | SEPARATOR WASHER | ARANDELA SEPARADOR | RONDELLE SEPARATEUR |
| 33 | 300699 | WASHER KEYBOARD SM (FOR SM) | TECLADO LAVADORA SM (PARA SM) | CLAVIER LAVEUSE SM (POUR SM) |
| 34 | 301192 | ENGLISH OPERATION INSTR.PLATE (FOR SM) | PLACA INSTR.FUNCION. IN. (PARA SM) | PLAQUE INSTR.FONCTION ANGLAIS (POUR SM) |
| | 301200 | SPANISH OPEARATION INSTR.PLATE (FOR SM) | PLACA INSTR.FUNCION. ES. (PARA SM) | PLAQUE INST.FONCTION ESPAGNOL (POUR SM) |
| | 301218 | FRENCH OPERATION INSTR.PLATE (FOR SM) | PLACA INSTR.FUNCION. FR. (PARA SM) | PLAQUE INSTR.FONCTION FRANCAIS (POUR SM) |
| | 301226 | GERMAN OPERATION INSTR.PLATE (FOR SM) | PLACA INSTR.FUNCION. AL. (PARA SM) | PLAQUE INSTR.FONCTION ALLEMAND (POUR SM) |
| | 301234 | ITALIAN OPERATION INSTR.PLATE (FOR SM) | PLACA INSTR.FUNCION. IT. (PARA SM) | PLAQUE INSTR.FONCTION ITALIEN (POUR SM) |
| | 301242 | PORTUGUESE OPERATION INST.PLAT (FOR SM) | PLACA INSTR.FUNCION. PO. (PARA SM) | PLAQUE INST.FONCTION PORTUGAIS (POUR SM) |
| | 301259 | DUTCH OPERATION INSTR.PLATE (FOR SM) | PLACA INSTR.FUNCION. HO. (PARA SM) | PLAQUE INSTR.FONCTION HOLLAND. (POUR SM) |
| | 301267 | DANISH OPERATION INSTR.PLATE (FOR SM) | PLACA INSTR.FUNCION. DA. (PARA SM) | PLAQUE INSTR.FONCTION DANOIS (POUR SM) |
| | 301275 | FINNISH OPERATION INSTR.PLATE (FOR SM) | PLACA INSTR.FUNCION. FI. (PARA SM) | PLAQUE INSTR.FONCTION FINLAND. (POUR SM) |

| N° | REF. | DENOMINATION | DENOMINACION | DÉNOMINATION |
|----|--------|--|---------------------------------------|--|
| | 301283 | NORWEGIAN OPERATION INSTR.PLAT (FOR SM) | PLACA INSTR.FUNCION. NO. (PARA SM) | PLAQUE INSTR.FONCTION NORVÉG. (POUR SM) |
| | 301291 | SWEDISH OPERATION INSTR.PLATE (FOR SM) | PLACA INSTR.FUNCION. SU. (PARA SM) | PLAQUE INSTR.FONCTION SUÉDOIS (POUR SM) |
| | 301309 | GREEK OPERATION INSTR.PLATE (FOR SM) | PLACA INSTR.FUNCION. GR. (PARA SM) | PLAQUE INSTR.FONCTION GREC (POUR SM) |
| 35 | 301986 | START-STOP PLATE (FOR SM) | PLACA MARCHA PARO (PARA SM) | PLAQUE MARCHÉ-ARRÊT (POUR SM) |



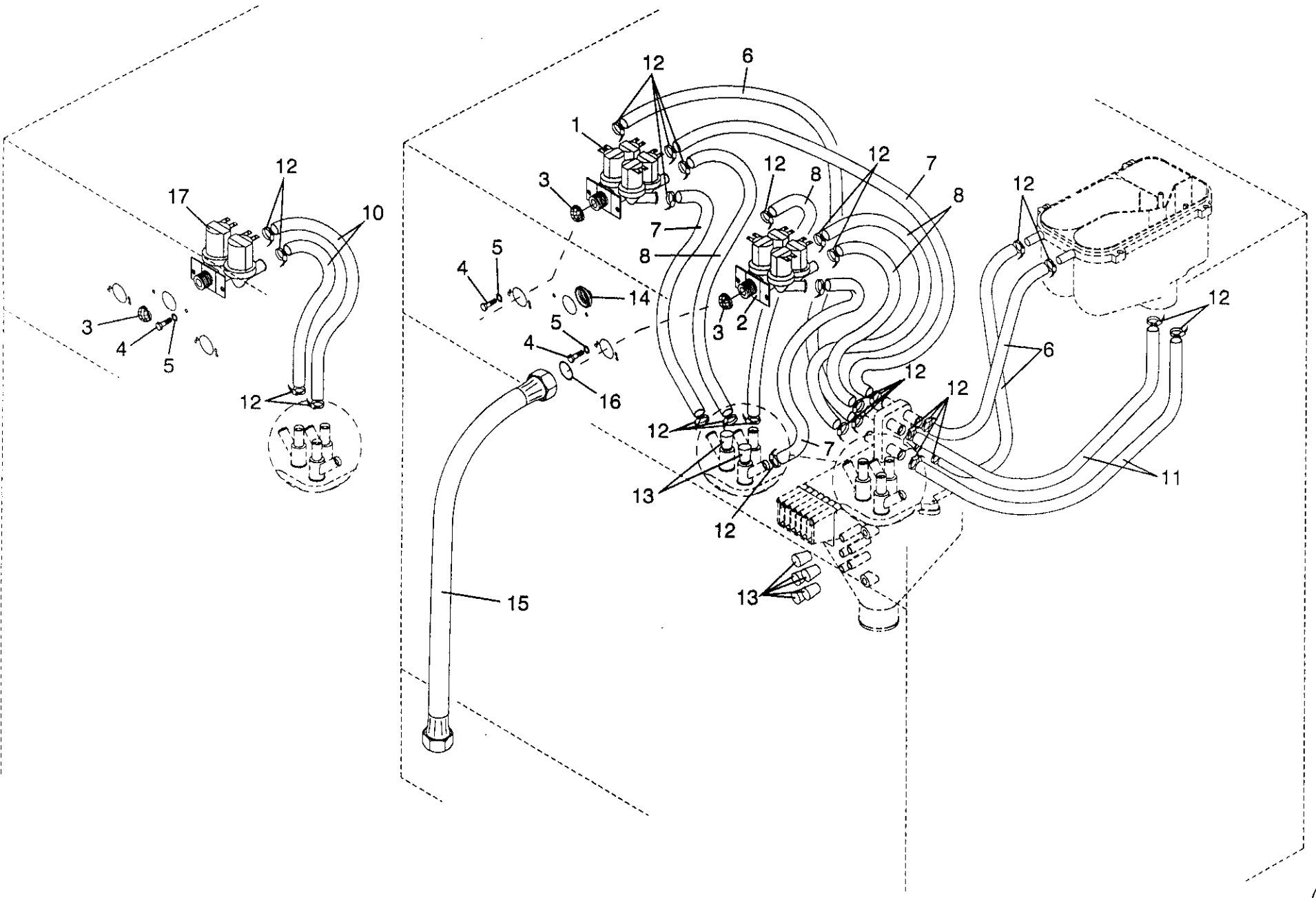
| Nº | REF. | DENOMINATION | DENOMINACION | DÉNOMINATION |
|----|--------|---|--|--|
| 1 | 271742 | INSTALLATION BOX PLATE | PLACA CAJA INSTALACION | PLAQUE BOITE INSTALLATION |
| 2 | 276550 | INSTALLATION BOX BRACKET | SOPORTE CAJA INSTALACION | SUPPORT BOITE INSTALLATION |
| 3 | 151878 | RIVET POP TLP/D/636/BS4,8X 9,1 | REMA.POP TLP/D/636/BS 4,8X 9,1 | RIVET TLP/D/636/BS 4,8X 9,1 |
| 4 | 193433 | CONTACTOR 3TF31 01-OAN2 | CONTACTOR 3TF31 01-OAN2 | CONTACTEUR 3TF31 01-OAN2 |
| | 194050 | COIL 3TY7 403-OAN2 | BOBINA 3TY7 403-OAN2 | BOBINE 3TY7 403-OAN2 |
| 5 | 196592 | CONTACT BOLCK 3TX4 091-1A | BLOQUEO 3TX4 091-1A | BLOC CONTACT 3TX4 091-1A |
| 6 | 155457 | TERMINAL BC 4/6 R 638255 | BORNA CIAMA BC 4/6 R 638255 | BORNE BC 4/6 R 638255 |
| 7 | 155275 | END COVER FC2 5/10 | TAPA FIN.CIAMA FC2.5/10 635455 | COUVERCLE FINAL FC2.5/10 |
| 8 | 142331 | FIXING CLAMP | TOPE FIJACION LEGRAND 37200 | BRIDE FIXATION |
| 9 | 199836 | FILTER FRI FA-12 | FILTRO DE RED RFI TIPO FA-12 | FILTRE RFI FA-12 |
| 10 | 183400 | CYL.PLAQUE SCREW DIN7971 8X3/8" | TOR.CHAPA EX.ALAN.BICR.8X3/8" | VIS PLAQUE CYL.DIN7971 8X3/8" |
| 11 | 300756 | TRANSFORMER IP00 100 VA (FOR 220 AND 380V) | TRANSFORMADOR IP00 100 VA (PARA 220 Y 380V) | TRANSFORMATEUR IP00 100 VA (POUR 220 ET 380V) |
| | 300772 | TRANSFORMER IP00 100 VA (FOR 200,240 AND 415V) | TRANSFORMADOR IP00 100 VA (PARA 200,240 Y 415V) | TRANSFORMATEUR IP00 100 VA (POUR 200,240 ET 415V) |
| | 300764 | TRANSFORMER IP00 100 VA (FOR 208 AND 440V) | TRANSFORMADOR IP00 100 VA (PARA 208 Y 440V) | TRANSFORMATEUR IP00 100 VA (POUR 208 ET 440V) |
| 12 | 139444 | PROTECTOR 1/480705-0 | PROTECTOR 1/480705-0 | PROTECTEUR 1/480705-0 |
| 13 | 199893 | CLAMP STL-3N-450 | ABRAZADERA STL-3N-450 | BRIDE STL-3N-450 |
| 14 | 140434 | CLAMP 2221 | BRIDA UNEX 2221 | BRIDE 2221 |
| 15 | 181701 | LEGRAND CONE 91905 | CONO LEGRAND 91905 | CONE LEGRAND 91905 |
| 16 | 146282 | BICR.HEX SCREW DIN933-8 M 5X15 | TOR.EX.DIN933-8.8 BICR.M 5X 15 | VIS HEX BICR.DIN933-8.8 M 5X15 |
| 17 | 149724 | BICR EXT.TOOT.WASH.DIN6798 M5 | ARAN.DEN.EXTER.BICR.DIN6798M 5 | RONDEL DEN.EX.BICR.DIN6798 M5 |
| 18 | 150177 | BICR HEX NUT DIN934-8 M5 | TUER.EX.DIN934-8 BICR.M 5 | ECROU HEX DIN934-8 BIC.M5 |
| 19 | 146233 | BICR.HEX SCREW DIN933-8 M6X15 | TOR.EX.DIN933-8.8 BICR.M 6X 15 | VIS HEX DIN933-8.8 BICR.M6X15 |
| 20 | 149526 | BICR.WASHER B DIN125-ST 6,4 | ARAN.B DIN125-ST BICR. 6,4 | RONDELLE B DIN125-ST BICR.6,4 |
| 21 | 150227 | BICR HEX NUT DIN934-8 M6 | TUER.EX.DIN934-8 BICR.M 6 | ECROU HEX DIN934-8 BICR.M6 |
| 22 | 165019 | CAGED NUT M-6 0,5-1,5 | TUER.ENJ.M6 0,5-1,5 R.310007-9 | ECROU ENCAGE M-6 0,5-1,5 |
| 23 | 160119 | FUSE HOLDER REF.FEC 031 1631 | PORTAFUSIBLES REF.FEC.031.1631 | PORTE-FUSIBLE REF.FEC 031 1631 |
| 24 | 192286 | BAYONET HEAD (FOR FUSE 5X20) | CABEZA BAYONETA FEK.031.1611 (PARA CARTUCHO 5X20) | TETE BAYONETTE (POUR CARTOUCHE 5X20) |

| Nº | REF. | DENOMINATION | DENOMINACION | DÉNOMINATION |
|----|--------|--|--|--|
| | 137661 | BAYONET HEAD (FOR FUSE 6X32) | CABEZA BAYONETA FEK.031.1613 (PARA CARTUCHO 6X32) | TETE BAYONETTE (POUR CARTOUCHE 6X32) |
| 25 | 302612 | FUSE FSD 0034.3987 1A (FOR FUSE 5X20) | CART.FUSIBLE FSD 0034.3987 1A (PARA CARTUCHO 5X20) | CARTOUCHE FUSIBLE FSD 0034 1A (POUR CARTOUCHE 5X20) |
| | 182485 | FUSE FST 0034.5225 1A (FOR FUSE 6X32) | CART.FUSIBLE FST 0034.5225 1A (PARA CARTUCHO 6X32) | CARTOUCHE FUS.FST 0034.5225 1A (POUR CARTOUCHE 6X32) |
| 26 | 245571 | CONTACTOR FIXING PROFILE | PERFIL FIJACION CONTACTORES | PROFILE FIXATION CONTACTEURS |
| 27 | 146175 | BICR CYL SCREW DIN84-4 M-5X10 | TOR.CIL.DIN84-4.8 BICR.M 5X10 | VIS CYL BICR DIN84-4.8.M-5X10 |
| 28 | 149534 | BICR.WASHER B DIN125-ST 5,3 | ARAN.B DIN125-ST BICR. 5,3 | RONDELLE B BICR.DIN125-ST 5,3 |
| 29 | 139683 | CONE ECPC-6 | CONO HIMEL ECPC-6 | CONE ECPC-6 |
| 30 | 301051 | SWITCH AUT. 5SX2 113-7 (FOR SINGLE-PHASE) | INTERRUPTOR AUT.5SX2 113-7 (PARA MONOFASICO) | INTERRUPTEUR AUT. 5SX2 113-7 (POUR MONOPHASE) |
| 31 | 146084 | BICR CYL SCREW DIN84 M 4X 10 | TOR.CIL.DIN84-4.8 BICR.M 4X10 | VIS CYL BICR DIN84-4.8 M 4X 10 |
| 32 | 279836 | CURRENT INPUT COVER (WITHOUT SWITCH DISCONNECTOR) | TAPA ENTRADA CORRIENTE (SIN INTERRUPTOR SECCIONADOR) | COUVERCLE ENTRÉE DE COURANT (SANS INTERRUPTEUR SECTIONNER) |
| 33 | 155465 | TERMINAL BC 10/16R 638455 (WITHOUT SWITCH DISCONNECTOR) | BORNA CIAMA BC 10/16R 638455 (SIN INTERRUPTOR SECCIONADOR) | BORNE BC 10/16R 638455 (SANS INTERRUPTEUR SECTIONNER) |
| 34 | 193425 | TERMINAL BCT 10 631912 (WITHOUT SWITCH DISCONNECTOR) | BORNA CIAMA BCT 10 631912 (SIN INTERRUPTOR SECCIONADOR) | BORNE BCT 10 631912 (SANS INTERRUPTEUR SECTIONNER) |
| 35 | 277582 | CURRENT INPUT COVER (WITH SWITCH DISCONNECTOR) | TAPA ENTRADA CORRIENTE (CON INTERRUPTOR SECCIONADOR) | COUVERCLE ENTRÉE DE COURANT (AVEC INTERRUPTEUR SECTIONNER) |
| 36 | 198861 | PAQUET.SWITCH 3LD1 118-0TB53 (WITH SWITCH DISCONNECTOR) (WITHOUT ELECTRIC HEATING) | INTERRUP.PAQUET.3LD1 118-0TB53 (CON INTERRUPTOR SECCIONADOR) (SIN CALEFACCION ELECTRICA) | INTERRUPTEUR PAQUET.3LD1 118 (AVEC INTERRUPTEUR SECTIONNER) (SANS CHAUFAGE ELECTRIQUE) |
| 37 | 300400 | ACCESSOR FOR 3LD1:3LD9.100-5B (WITH SWITCH DISCONNECTOR) | ACCESOR.PARA 3LD1:3LD9 100-5C (CON INTERRUPTOR SECCIONADOR) | ACCESOR.POUR 3LD1:3LD9 100-5B (AVEC INTERRUPTEUR SECTIONNER) |



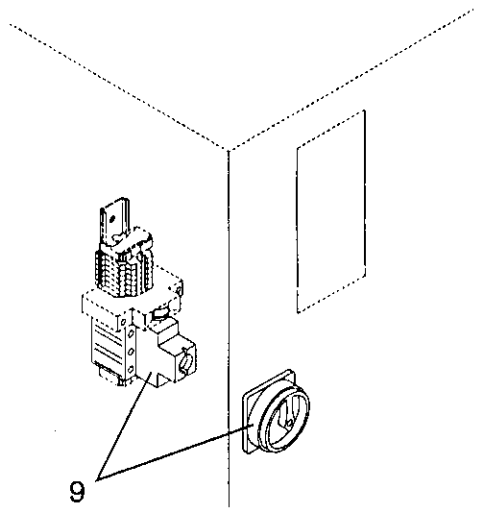
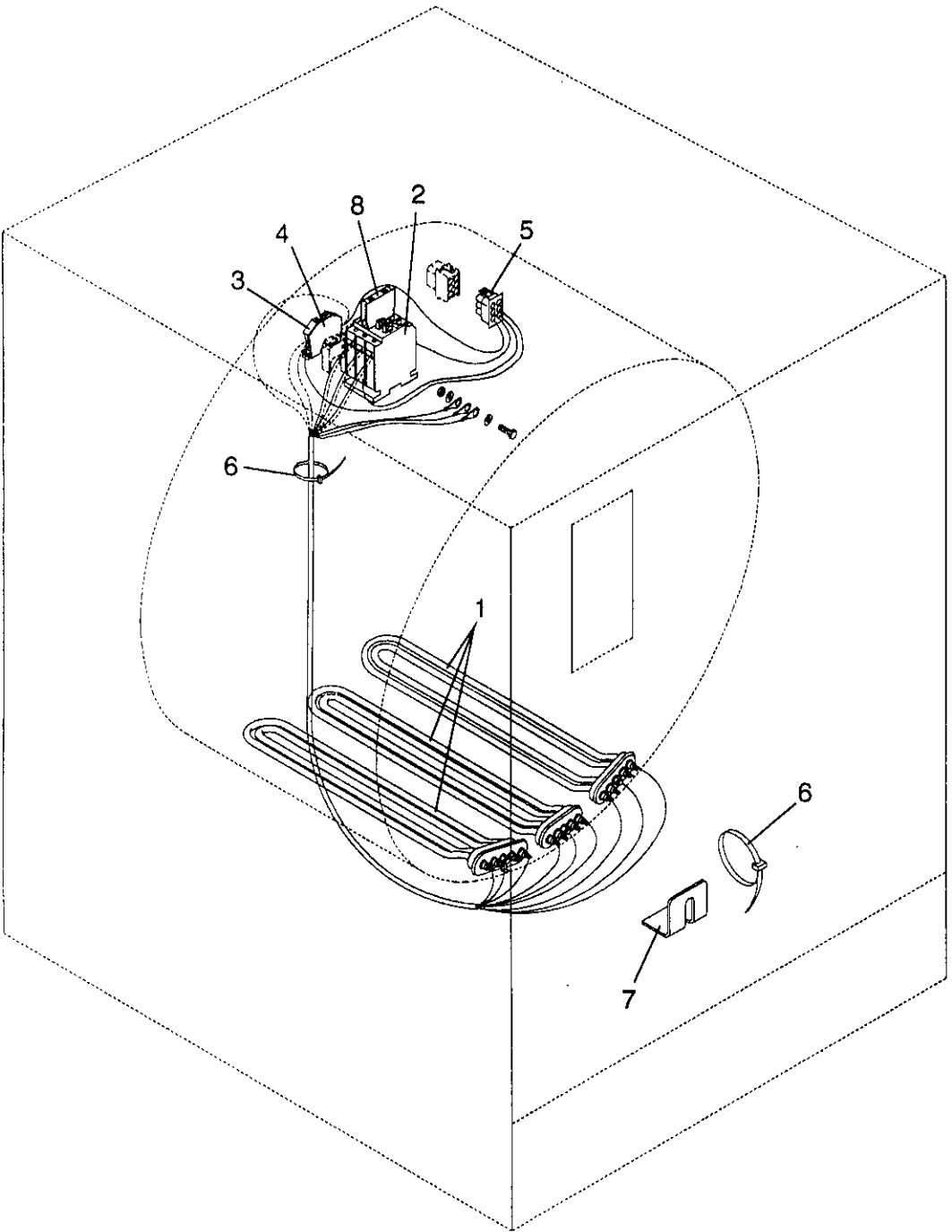
| Nº | REF. | DENOMINATION | DENOMINACION | DÉNOMINATION |
|----|--------|--------------------------------|--------------------------------|--------------------------------|
| 1 | 187385 | SOAP DISPENSER | DOSIFICADOR | BAC A PRODUITS |
| 2 | 187419 | WATER INLET | ENTRADA AGUA | ENTREE EAU |
| 3 | 187427 | SOAP DISPENSER HOOD | CAPUCHON DOSIFICADOR | POCHE BAC A PRODUITS |
| 4 | 187435 | ASPIRATION HOSE | TUBO ASPIRACION | TUBE ASPIRATION |
| 5 | 246298 | SOAP DISPENSER GASKET | JUNTA DOSIFICADOR | JOINT BACS A PRODUITS |
| 6 | 144741 | INOX SCREW DIN 963 M-5X15 A270 | TOR.AV.DIN963 INOX A2-70 M5X15 | VIS INOX. DIN 963 M-5X15 A2-70 |
| 7 | 189951 | SOAP DISPENSER LID | TAPA DOSIFICADOR | COUVERCLE BAC A PRODUITS |
| 8 | 261420 | SOAP DISPENSER LID FIX.PIECE | SOLAPA TAPA DOSIFICADOR | PIECE FIXATION COUVERCLE BAC |
| 9 | 149369 | INOX A2 WASHER DIN 125 5,3 | ARAN. DIN125 INOX A2 5,3 | RONDELLE INOX A2 DIN 125 5,3 |
| 10 | 176826 | SELF-BLOCKING NUT DIN 985 M-5 | TUER.AUTOBL.DIN985-8 BICR.M 5 | ECROU AUTOBLOCANT DIN 985 M-5 |
| 11 | 193714 | RUBBER ELBOW D58X420X145 | CODO GOMA D58X420X145 | COUDE GOMME D58X420X145 |
| 12 | 132290 | CLAMP 301508-9 D50-70 | ABRAZ.MIKALOR 301508-9 D50-70 | BRIDE 301508-9 D50-70 |
| 13 | 300061 | DISTRIBUTOR BODY | CUERPO DISTRIBUIDOR | CORPS DISTRIBUTEUR |
| 14 | 300186 | DISTRIBUTOR COVER | TAPA DISTRIBUIDOR | COUVERCLE DISTRIBUTEUR |
| 15 | 166645 | CYL.PLATE SCREW DIN7971 8X5/8" | TOR.CHAPA CILI.DIN7971 8X5/8" | VIS PLAQUE CIL.DIN7971 8X5/8" |
| 17 | 199885 | WATER INLET RACCORD | RACOR ENTRADA AGUA | RACCORD ENTREE EAU |
| 18 | 199950 | RUBBER ELBOW D60X250X175 | CODO GOMA D60X250X175 | COUDE GOMME D60X250X175 |
| 19 | 156109 | CLAMP 301503-8 D16-25 | ABRAZ.MIKALOR 301503-8 D16-25 | BRIDE 301503-8 D16-25 |
| 20 | 251835 | DRAIN (NORMALLY OPEN) | DESAGUE(ABIERTO A F.DE CORR.) | VIDANGE (NORMALEMENT OUVERTE) |
| | 159764 | MOTOR AND GEAR-BOX RE. 453R | MOTOR-REDUCTOR 453R 0,24AMP. | MOTEUR ET REDUCTEUR REF. 453R |
| | 159731 | OPERATING SPRING RE.408L | MUELLE ACCIONAMIENTO REF.408L | RESSORT ACTIONNEMENT REF. 408L |
| | 163394 | TIGHTNESS SEAL RE. 311VP | RETEN ESTANQUEIDAD REF.VP311 | RESERVE ETACHEITE REF. 311VP |
| | 132530 | DRAIN BODY RE 811-SO 2" | CUERPO DESAGUE REF.811-SO 2" | CORPS VIDANGE REF. 811-SO 2" |
| | 166553 | MOTOR FIXING PLATE REF. 3042 | PLACA FIJACION MOTOR REF.3042 | PLAQUE FIXATION MOTEUR 3042 |
| | 166611 | MOTOR FIXING PLATE SCREW | TORNILLO PLACA FIJAC.REF.306 | VIS PLAQUE FIXATION MOTEUR |
| | 166595 | MOTOR PLATE FIXING SCREW 320C | TORNILLO FIJACION REF.320C | VIS FIXATION 320C |
| | 166603 | CYL PLATE SCREW DIN7971 8X2" | TOR.CHAPA CILI.DIN7971 8X2" | VIS PLAQUE CYL DIN7971 8X2" |
| | 166587 | OPERATING SHAFT REF. 713 | EJE ACCIONAMIENTO REF.713 | AXE ACTIONNEMENT REF. 713 |
| | 166629 | OPERATIN SHAFT WASHER 823 | ARANDELA EJE ACCIONAM. REF.823 | RONDELLE AXE ACTIONNEMENT 823 |
| 21 | 146233 | BICR.HEX SCREW DIN933-8 M6X15 | TOR.EX.DIN933-8.8 BICR.M 6X 15 | VIS HEX DIN933-8.8 BICR.M6X15 |

| Nº | REF. | DENOMINATION | DENOMINACION | DÉNOMINATION |
|----|----------|--------------------------------|--------------------------------|--------------------------------|
| 22 | 149526 | BICR.WASHER B DIN125-ST 6,4 | ARAN.B DIN125-ST BICR. 6,4 | RONDELLE B DIN125-ST BICR.6,4 |
| 24 | 251827 | DRAIN PROTECTION | PROTECCION DESAGÜE | PROTECTION VIDANGE |
| 25 | 262006 | VAPOUR OUTLET HOSE | TUBO SALIDA VAHOS | TUBE SORTIE VAPEURS |
| 26 | 132282 | CLAMP 301527-3 D32-50 | ABRAZ.MIKALOR 301527-3 D32-50 | BRIDE 301527-3 DSA-50 |
| 27 | 199943 | RUBBER ELBOW D30X290X170 | CODO GOMA D30X290X170 | COUDE GOMME D30X290X170 |
| 28 | 189548 | DRAIN HOSE | TUBO DESAGUE | TUBE VIDANGE |
| 29 | 155143 | CLAMP 301512-6D110-140 | ABRAZ.MIKALOR301512-6D110-140 | BRIDE 301512-6D110-140 |
| 30 | 128298 | ELBOW HOSE REF. 45.99.5027.5 | TUBO ACODADO REF 45.99.5027.5 | TUBE COUDE REF. 45.99.5027.5 |
| 31 | 283838 | BEARING BOX DRAIN HOSE | TUBO DESAGÜE CAJA COJINETES | TUBE VIDANGE BOITE ROULEMENTS |
| 32 | 120964 | PRESSURE SWITCH INTAKE BODY | CUERPO TOMA PRESOSTATO | CORPS PRISE PRESSOSTAT |
| 33 | 120956 | LEVEL PRESSURE-SWITCH INTAKE | TOMA PRESOSTATO NIVEL | PRISE PRESSOSTAT NIVEAU |
| 34 | 216655 & | PRESSURE-SWITCH HOSE | TUBO PRESOSTATO NIVEL | TUBE PRESSOSTATS |
| 35 | 279588 | AIR CONDUCTION HOSE | TUBO CONDUCCION AIRE | TUBE CONDUITE AIR |
| 36 | 146274 | BICR.HEX SCREW DIN933-8 M-5X10 | TOR.EX.DIN933-8.8 BICR.M 5X 10 | VIS HEX.BICR.DIN933-8.8 M-5X10 |
| 37 | 149534 | BICR.WASHER B DIN125-ST 5,3 | ARAN.B DIN125-ST BICR. 5,3 | RONDELLE B BICR.DIN125-ST 5,3 |
| 38 | 121962 | HEATER INLET LID | CIERRE ENTRADA CALEFACTOR | FERMETURE ENTREE RESISTANCE |
| & | 128199 | 1 METER RUBBER HOSE D 9X 5 | 1 METRO TUBO GOMA D 9X 5 | 1 METRE TUBE GOMME D 9X 5 |



| Nº | REF. | DENOMINATION | DENOMINACION | DÉNOMINATION |
|----|----------|--------------------------------|--------------------------------|--------------------------------|
| 1 | 129411 | 180 DEG. ELECTROVALVE 389A | ELECTROV.CUADRUPLE 389-A 180º | ELECTROVANNE 180 DEG.389A |
| | 192054 | ELECT.SERIES 300 COIL 220/240V | BOBINA ELEC.SERIE 300 220/240V | BOBINE ELEC.SERIE 300 220/240V |
| | 300194 | YELLOW CASE 30053 | ESTUCHE AMARILLO 30053 | BOITE JAUNE 30053 |
| | 300202 | INTEGRAL GUIDE-MEMBRANE 30696 | MEMBRANA-GUIA INTEGRAL 30696 | MEMBRANE-GUIDE INTEGRALE 30696 |
| 2 | 241026 | 4-TRACK ELECTROVALVE | ELECTROVALVULA CUATRO VIAS | ELECTROVANNE 4 VOIES |
| | 192054 | ELECT.SERIES 300 COIL 220/240V | BOBINA ELEC.SERIE 300 220/240V | BOBINE ELEC.SERIE 300 220/240V |
| | 300194 | YELLOW CASE 30053 | ESTUCHE AMARILLO 30053 | BOITE JAUNE 30053 |
| | 300202 | INTEGRAL GUIDE-MEMBRANE 30696 | MEMBRANA-GUIA INTEGRAL 30696 | MEMBRANE-GUIDE INTEGRALE 30696 |
| 3 | 159996 | ELECTROVALVE FILTER | FILTRO ELECTROVALVULA ELBI | FILTRE ELECTROVANNE |
| 4 | 146258 | BIC.HEX SCREW DIN933-8.8 M4X10 | TOR.EX.DIN933-4.8 BICR.M 4X 15 | VIS HEX DIN933-8.8 BICR.M 4X10 |
| 5 | 149476 | BICR.WASHER B DIN125-ST 4,3 | ARAN.B DIN125-ST BICR. 4,3 | RONDILLE B DIN125-ST BICR.4,3 |
| 6 | 116608 & | WATER INLET HOSE | TUBO ENTRADA AGUA | TUBE ENTREE EAU |
| 7 | 259457 & | WATER INLET HOSE | TUBO ENTRADA AGUA | TUBE ENTREE EAU |
| 8 | 158964 & | WATER INLET HOSE | TUBO ENTRADA AGUA | TUBE ENTREE EAU |
| 10 | 240937 & | WATER INLET HOSE | TUBO ENTRADA AGUA | TUBE ENTREE EAU |
| 11 | 211771 & | WATER INLET HOSE | TUBO ENTRADA AGUA | TUBE ENTREE EAU |
| 12 | 155150 | CLAMP 301502-0 D12-20 | ABRAZ.MIKALOR 301502-0 D12-20 | BRIDE 301502-0 D12-20 |
| 13 | 156679 | CONICAL END-PIECE R-16 D10 | TOPE CONICO REPRIMSA R-16 D10 | ARRET CONIQUE R-16 D10 |
| 14 | 181701 | LEGRAND CONE 91905 | CONO LEGRAND 91905 | CONE LEGRAND 91905 |
| 15 | 164137 | WATER INLET HOSE RACORDS 3/4" | TUBO EPDM 3/4"x1500 C.RACORES | TUBE ENTREE EAU RACCORDS 3/4" |
| 16 | 114348 | GASKET D24XD15X1,5 | JUNTA D24XD15X1,5 | JOINT D24XD15X1,5 |
| 17 | 129379 | DOUBLE ELECTROVALVE 349A 180º | ELECTROV.DOUBLE 349-A 180º | ELECTROVANNE DOUBLE 349A 180º |
| | 192054 | ELECT.SERIES 300 COIL 220/240V | BOBINA ELEC.SERIE 300 220/240V | BOBINE ELEC.SERIE 300 220/240V |
| | 300194 | YELLOW CASE 30053 | ESTUCHE AMARILLO 30053 | BOITE JAUNE 30053 |
| | 300202 | INTEGRAL GUIDE-MEMBRANE 30696 | MEMBRANA-GUIA INTEGRAL 30696 | MEMBRANE-GUIDE INTEGRALE 30696 |

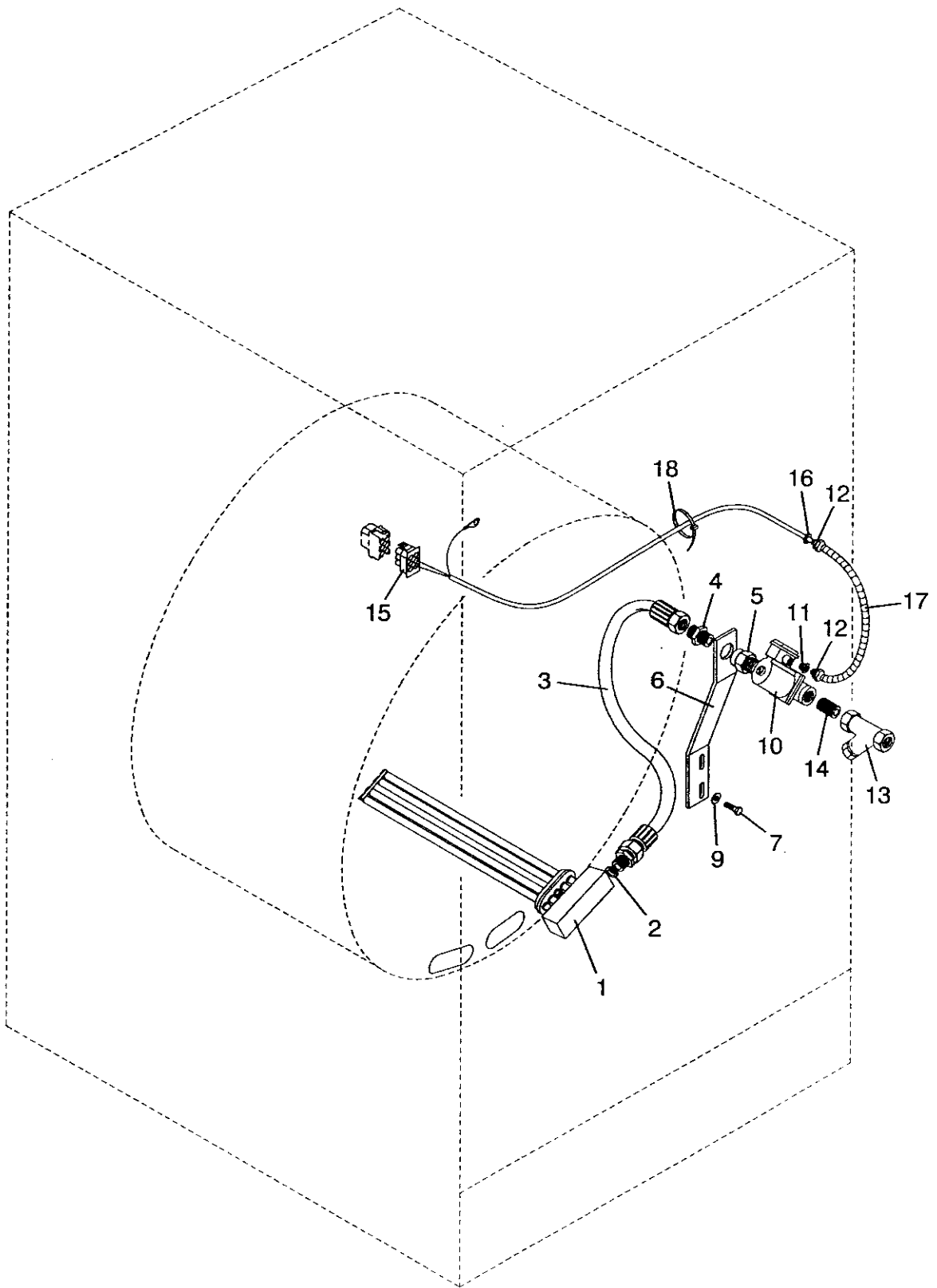
| N° | REF. | DENOMINATION | DENOMINACION | DÉNOMINATION |
|--------|--------|-----------------------------------|---------------------------------------|---------------------------------------|
| | | WITHOUT ILLUSTRATION | SIN ILUSTRACION | SANS ILLUSTRATION |
| | | WATER INLET FILTER SUPPLEMENT | SUPLEMENTO FILTRO ENTRADA AGUA | SUPPLEMENT FILTRE ENTREE EAU |
| 163899 | | WATER INLET FILTER SET | GRUPO FILTRO ENTRADA AGUA | GROUPE FILTRE ENTREE EAU |
| 163915 | | THREADED BRASS FILTER 3/4" | FILTRO LATON FLT ROSC.3/4" 0,5 | FILTRE EN LAITON A VIS 3/4" |
| | | METALIC ADAPTOR SUPPLEMENT | SUPLEMENTO ADAPTADOR METALICO | SUPPLÉMENT ADAPTATEUR MÉTALLI. |
| 299602 | | WATER INLET SUPPLEMENT | SUPLEMENTO ENTRADA AGUA | SUPPLEMENT ENTREE EAU |
| 797043 | | THIRD WATER INLET KIT (FOR PM) | KIT TERCERA ENTRADA AGUA (PARA PM) | KIT TROISIEME ENTREE EAU (POUR PM) |
| & | 128215 | 1 METER HOSE EPDM D 9X17 | 1 METRO TUBO EPDM D 9X17 | 1 METRE TUBE EPDM D 9X17 |



U-12281

HS-3012

| Nº | REF. | DENOMINATION | DENOMINACION | DÉNOMINATION |
|----|--------|--|---|--|
| | | ELECTRIC HEATING KITS (WITHOUT SWITCH DISCONNECTOR) | KITS CALEFACCION ELÉCTRICA (SIN INTERRUPTOR SECCIONADOR) | KITS CHAUFFAGE ELECTRIQUE (SANS INTERRUPTEUR SECTIONNER) |
| | 718502 | EHK M 3PH 200-208-220-380V | KCE M III 200-208-220-380V | KCHE M 3PH 200-208-220-380V |
| | 718510 | EHK M 3PH 240-415-440V | KCE M III 240-415-440V | KCHE M 3PH 240-415-440V |
| | | ELECTRIC HEATING KITS (WITH SWITCH DISCONNECTOR) | KITS CALEFACCION ELÉCTRICA (CON INTERRUPTOR SECCIONADOR) | KITS CHAUFFAGE ELECTRIQUE (AVEC INTERRUPTEUR SECTIONNER) |
| | 797530 | EHK M 3PH 200-208-220-380V | KCE M III 200-208-220-380V | KCHE M 3PH 200-208-220-380V |
| | 797548 | EHK M 3PH 240-415-440V | KCE M III 240-415-440V | KCHE M 3PH 240-415-440V |
| 1 | 302653 | HEATER 220V (FOR 200,208,220 AND 380V) | CALEFACTOR 220V 3700W (PARA 200,208,220 Y 380V) | RESISTANCE 220V (POUR 200,208,220 ET 380V) |
| | 302661 | HEATER 240V (FOR 240,415 AND 440V) | CALEFACTOR 240V 3700W (PARA 240,415 Y 440V) | RESISTANCE 240V (POUR 240,415 ET 440V) |
| 2 | 193433 | CONTACTOR 3TF31 01-OAN2 | CONTACTOR 3TF31 01-OAN2 | CONTACTEUR 3TF31 01-OAN2 |
| | 194050 | COIL 3TY7 403-OAN2 | BOBINA 3TY7 403-OAN2 | BOBINE 3TY7 403-OAN2 |
| 3 | 155465 | TERMINAL BC 10/16R 638455 | BORNA CIAMA BC 10/16R 638455 | BORNE BC 10/16R 638455 |
| 4 | 155275 | END COVER FC2 5/10 | TAPA FIN.CIAMA FC2.5/10 635455 | COUVERCLE FINAL FC2.5/10 |
| 5 | 139394 | PROTECTOR 1/480704-0 | PROTECTOR 1/480704-0 | PROTECTEUR 1/480704-0 |
| 6 | 140525 | CLAMP 2244-0 | BRIDA UNEX 2244-0 | BRIDE 2244-0 |
| 7 | 261941 | END PIECE | PIEZA TOPE | PIECE ARRET |
| 8 | 193466 | AUX. CONTACT BLOCK 3TX4001-2A | BLOQUE CONTACTO AUX.3TX4001-2A | BLOC CONTACT AUX. 3TX4001-2A |
| 9 | 300376 | SWITCH PAQUET 3LD1 218-0TB53 (WITH SWITCH DISCONNECTOR) | INTERRUP.PAQUET.3LD1 218-0TB53 (CON INTERRUPTOR SECCIONADOR) | INTERRUP.PAQUET 3LD1 218-0TB53 (AVEC INTERRUPTEUR SECTIONNER) |



| Nº | REF. | DENOMINATION | DENOMINACION | DÉNOMINATION |
|----|--------|---|---|---|
| | | STEAM HEATING KITS | KITS CALEFACCION VAPOR | KITS CHAUFFAGE VAPEUR |
| | 718528 | STEAM KIT FOR 50HZ | KIT CALEFACCION VAPOR 50HZ | KIT VAPEUR POUR 50HZ |
| | 718536 | STEAM KIT FOR 60HZ | KIT CALEFACCION VAPOR 60HZ | KIT VAPEUR POUR 60HZ |
| 1 | 108431 | STEAM DISTRIBUTOR | DISTRIBUIDOR VAPOR | DISTRIBUTEUR VAPEUR |
| 2 | 109777 | COPPER GASKET 1/2" | 12504 JUNTA COBRE 1/2" | JOINT CUIVRE 1,2" |
| 3 | 162305 | STEAM INLET JOINTING | UNION ENTRADA VAPOR | UNION ENTREE VAPEUR |
| 4 | 262840 | JOINTING SCREW | TORNILLO UNION | VIS UNION |
| 5 | 183525 | MALE-FEMALE SLEEVE 1/2" | MANGUITO MACHO-HEMBRA1/2"LATON | FRETTE MALE-FEMELLE 1/2" |
| 6 | 261792 | STEAM INLET BRACKET | SOPORTE ENTRADA VAPOR | SUPPORT ENTREE VAPEUR |
| 7 | 146233 | BICR.HEX SCREW DIN933-8 M6X15 | TOR.EX.DIN933-8.8 BICR.M 6X 15 | VIS HEX DIN933-8.8 BICR.M6X15 |
| 9 | 149526 | BICR.WASHER B DIN125-ST 6,4 | ARAN.8 DIN125-ST BICR. 6,4 | RONDELLE B DIN125-ST BICR.6,4 |
| 10 | 156760 | ELECTROVALVE 032U3033/84 1/2" (FOR 50HZ) | ELECT.032U3033/84 1/2" 220/50 (PARA 50 HZ) | ELECTROVANNE 032U3033/84 1/2" (POUR 50 HZ) |
| | 159806 | COIL 32K7771 220/50 (FOR 50HZ) | BOBINA DANFOSS 32K7771 220/50 (PARA 50 HZ) | BOBINE 32K7771 220/50 (POUR 50 HZ) |
| | 159822 | SPARE KIT EVJHS-15-20 | KIT REPUES.EVJHS-15-20 32U3129 | KIT RECHANGE EVJHS-15-20 |
| | 157545 | ELECTROVALVE 032U3033/90 1/2" (FOR 60HZ) | ELECT.032U3033/90 1/2" 220/60 (PARA 60 HZ) | ELECTROVANNE 032U3033/90 1/2" (POUR 60 HZ) |
| | 159814 | COIL 32K7776 220/60 (FOR 60HZ) | BOBINA DANFOSS 32K7776 220/60 (PARA 60 HZ) | BOBINE 32K7776 220/60 (POUR 60 HZ) |
| | 159822 | SPARE KIT EVJHS-15-20 | KIT REPUES.EVJHS-15-20 32U3129 | KIT RECHANGE EVJHS-15-20 |
| 11 | 140319 | REDUCER PG 13'5-9 | REDUCTOR PG 13'5-9 | REDUCTEUR PG 13'5-9 |
| 12 | 140152 | RACCORD PG- 9 REF.330904 | RACOR PG- 9 REF.330904 | RACCORD PG- 9 REF 330904 |
| 13 | 133728 | THREADED FILTER 1/2" O'3 PN16 | FILTRO COLAD. ROSC.1/2"O'3PN16 | FILTRE FILETE 1/2" 0,3 PN16 |
| 14 | 129999 | FIG 531 1/2" GALV | FIGURA 531 DE 1/2" GALV. | FIG 531 1/2" GALV |
| 15 | 139394 | PROTECTOR 1/480704-0 | PROTECTOR 1/480704-0 | PROTECTEUR 1/480704-0 |
| 16 | 140228 | COUNTERNUT PG-9 | CONTRATUERCA PG- 9 | CONTREECROU PG-9 |
| 17 | 140707 | HOSE HELIPLAST NO 9 REF.77009 (1 METER) | TUBO HELIPLAST NO. 9 REF.77009 (1 METRO) | TUBE HÉLIPLAST NO 9 REF.77009 (1 METRE) |
| 18 | 140525 | CLAMP 2244-0 | BRIDA UNEX 2244-0 | BRIDE 2244-0 |