



AD-120 Parts Manual

24 VAC Phase 5

for models mfd. prior to October 7, 1994

American Dryer Corporation
88 Currant Road
Fall River MA 02720-4781
Telephone: (508) 678-9010 / Fax: (508) 678-9447
E-mail: service@amdry.com

Retain This Manual In A Safe Place For Future Reference

American Dryer Corporation products embody advanced concepts in engineering, design, and safety. If this product is properly maintained, it will provide many years of safe, efficient, and trouble-free operation.

ONLY properly licensed technicians should service this equipment.

OBSERVE ALL SAFETY PRECAUTIONS displayed on the equipment or specified in the installation/operator's manual included with the dryer.

WARNING: UNDER NO CIRCUMSTANCES should the door switch or the heat circuit devices ever be disabled.

WARNING: The dryer *must never* be operated with any of the back guards, outer tops, or service panels removed. PERSONAL INJURY or FIRE COULD RESULT.

We have tried to make this manual as complete as possible and hope you will find it useful. ADC reserves the right to make changes from time to time, without notice or obligation, in prices, specifications, colors, and material, and to change or discontinue models.

Important

For your convenience, log the following information:

DATE OF PURCHASE _____ MODEL NO. **AD-120** _____

DISTRIBUTORS NAME _____

Serial Number(s) _____

Replacement parts can be obtained from your distributor or the ADC factory. When ordering replacement parts from the factory, you can FAX your order to ADC at (508) 678-9447 or telephone your orders directly to the ADC Parts Department at (508) 678-9010. Please specify the dryer **model number** and **serial number** in addition to the **description** and **part number**, so that your order is processed accurately and promptly.

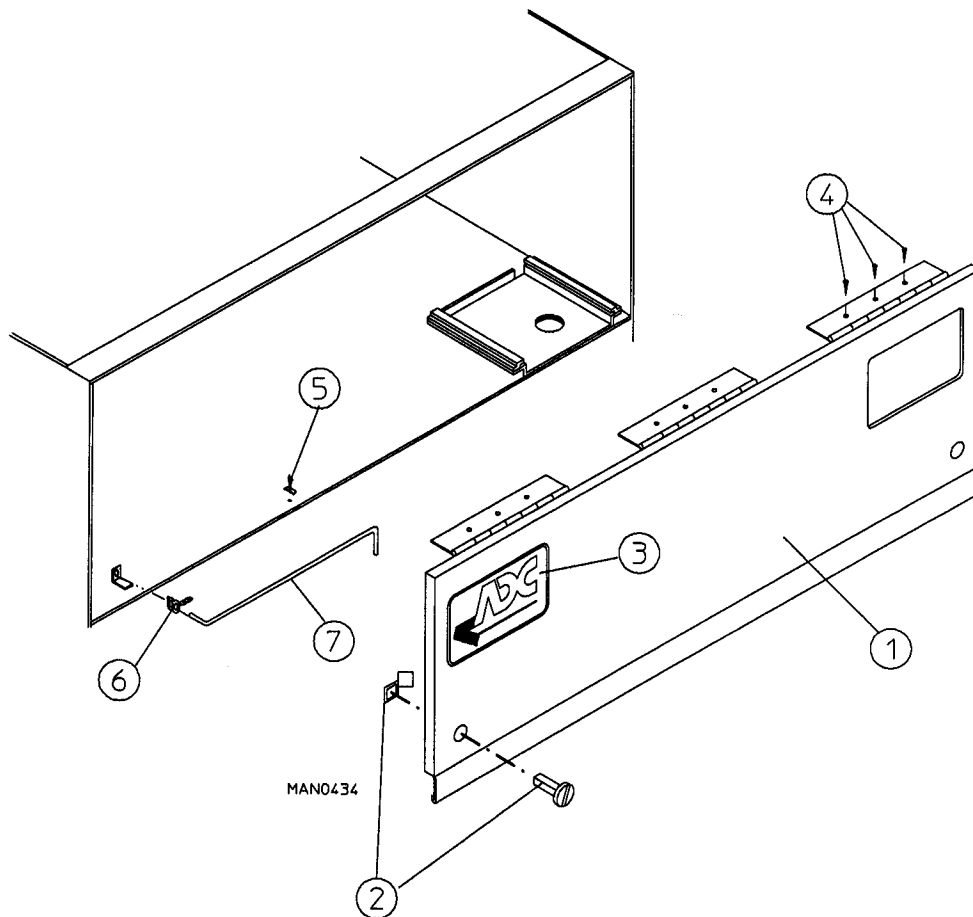
The illustrations on the following pages may not depict your particular dryer exactly. The illustrations are a composite of the various dryer models. Be sure to check the descriptions of the parts thoroughly before ordering.

INSTRUCTIONS TO BE FOLLOWED IN THE EVENT THE USER SMELLS GAS MUST BE POSTED IN A PROMINENT LOCATION. THE INSTRUCTIONS TO BE POSTED SHALL BE OBTAINED FROM THE LOCAL GAS SUPPLIER.

Table of Contents

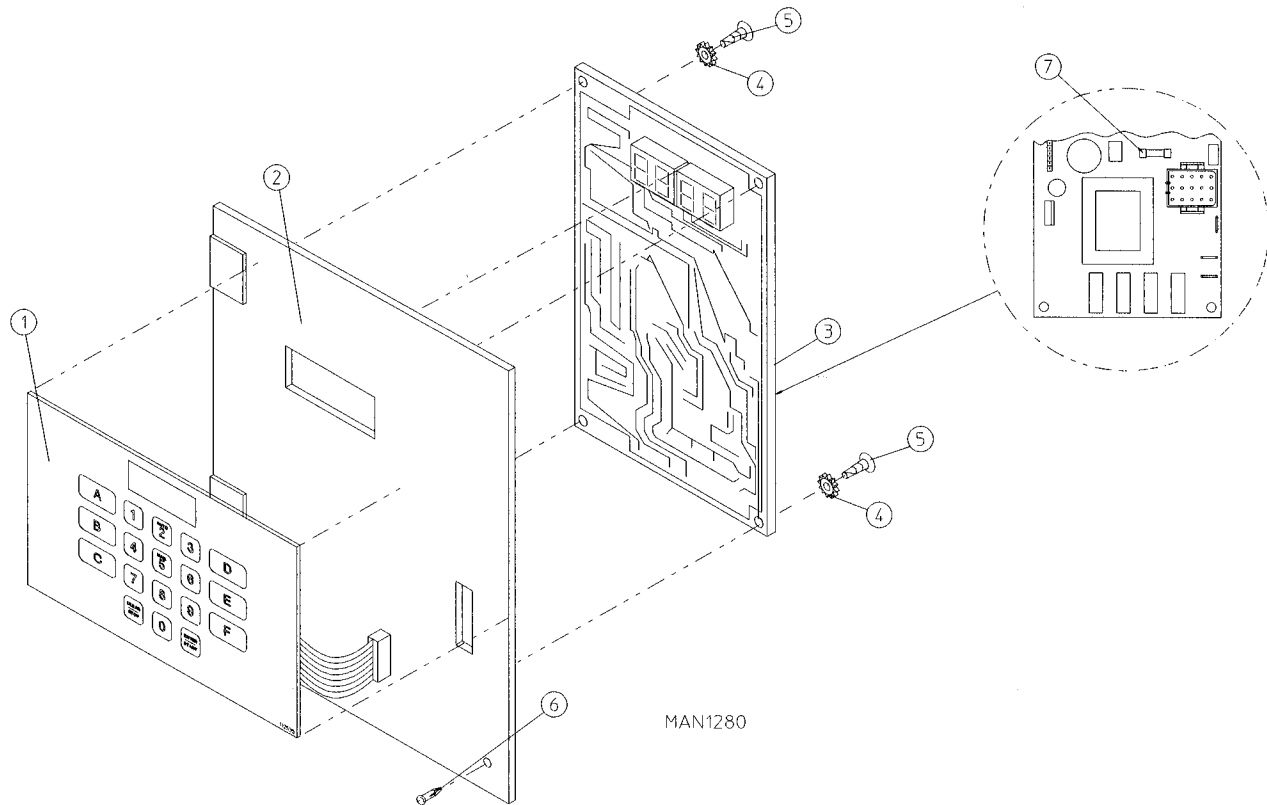
AD-120 Control Door Assembly	3
AD-120 Microprocessor Control Panel Assembly	4
AD-120 Microprocessor Control Box Assembly	5
AD-120 Dual Timer Control Panel Assembly	6, 7
AD-120 Dual Timer Control Box Assembly	8, 9
AD-120 Front Panel / Main Door Assemblies	10, 11
AD-120 Main Door Switch Assembly	
For models mfd. as of December 15, 1994	12
Main Door Switch Assembly	
For models mfd. prior to December 15, 1994	13
AD-120 Lint Drawer / Lint Drawer Switch Box Assemblies	
For models mfd. as of March 28, 1995	14
AD-120 Lint Drawer / Lint Drawer Switch Box Assemblies	
For models mfd. prior to March 28, 1995	15
AD-120 Drop Lint Door Assembly	16
AD-120 Microprocessor Temperature Sensor Bracket Assembly	17
AD-120 Non-Microprocessor Temperature Sensor Bracket Assembly	18, 19
AD-120 Basket (Tumbler) / Support Assemblies	20, 21
AD-120 Tumbler Bearing Assembly	22, 23
AD-120 Idler Bearing Mount Assembly	24, 25
AD-120 Totally Enclosed, Fan-Cooled (T.E.F.C.) Basket Motor Mount Assembly	26, 27
AD-120 Blower Motor Mount Assembly	
For Gas and Steam Models ONLY	28, 29
ADE-120 Blower Motor Mount Assembly	
For Electric Models ONLY	30, 31
ADG-120 Direct Spark Ignition (DSI) Burner Assembly	
For <u>ALL</u> Gas Models mfd. with the 3/4" White-Rodgers Gas Valve as of October 8, 1993	
For <u>ALL</u> CURRENT PRODUCTION ADG-120 DRYERS	
EXCLUDING CSA/CANADA MODELS	32, 33
ADG-120 Direct Spark Ignition (DSI) Burner Assembly	
For <u>ALL</u> Gas Models mfd. with the 1" Robertshaw Gas Valve prior to October 8, 1993	
For <u>ALL</u> CURRENT PRODUCTION CSA/CANADA MODELS	34, 35
ADG-120 Direct Spark Ignition (DSI) Module Mount Assembly	
For Gas Models ONLY	

Sail Switch Assembly	37
ADE-120 Electric Oven Assembly	38, 39
ADE-120 Electric Oven Relay Box Assembly	
208/240 VAC - 50/60 Hz - 3ø	40
ADE-120 Electric Oven Relay Box Assembly	
380/416/480 VAC - 50/60 Hz - 3ø	41
ADS-120 Steam Damper Assembly	42, 43
AD-120 Microprocessor Reversing Rear Control Box Assembly	
For Gas and Steam Models, and for Electric Models mfd. prior to March 29, 1995	44
AD-120 Microprocessor Reversing Rear Control Box Assembly	
For Electric Models mfd. as of March 29, 1995	45
ADE-120 Dual Timer Reversing Rear Control Box Assembly	
For Gas and Steam Models, and for Electric Models mfd. prior to March 29, 1995	46
ADE-120 Dual Timer Reversing Rear Control Box Assembly	
For Electric Models mfd. as of March 29, 1995	47
AD-120 Extended Back Guard Assembly	
For <u>ALL</u> 60 Hertz Models mfd. as of January 26, 1995	
For <u>ALL</u> 50 Hertz Models mfd. as of January 9, 1995	48
AD-120 Back Guard Assembly	
For <u>ALL</u> 60 Hertz Models mfd. prior to January 26, 1995	
For <u>ALL</u> 50 Hertz Models mfd. prior to January 9, 1995	49
AD-120 Step Down Transformer Usage Listing	50
ADE-120 Electric Oven Component Application Charts	51
ADE-120 Electric Oven Power Distribution	
208/240 VAC - 72 Kw - 50/60 Hz - 3ø	52
ADE-120 Electric Oven Power Distribution	
380/416/480 VAC 72 Kw - 50/60 Hz - 3ø	53
ADE-120 Electric Oven Power Distribution	
208/240 VAC - 80 Kw - 50/60 Hz - 3ø	54
ADE-120 Electric Oven Power Distribution	
380/416/480 VAC 80 Kw - 50/60 Hz - 3ø	55
ADE-120 Electric Oven Wiring	
208/240 VAC - 72/80 Kw - 50/60 Hz - 3ø	56
ADE-120 Electric Oven Wiring	
380/416/480 VAC 72/80 Kw - 50/60 Hz - 3ø	57
Additional Parts Available	58



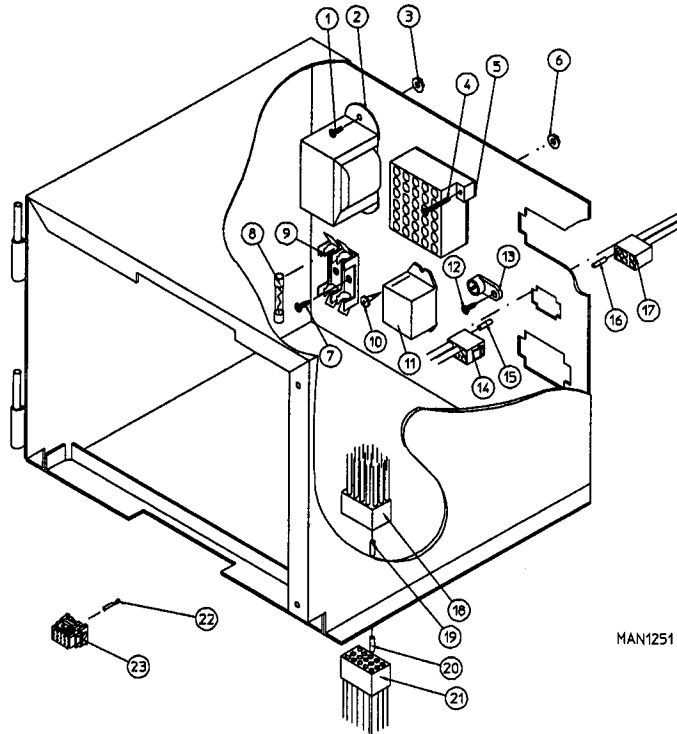
Illus. No.	Part No.	Qty.	Description
1	820004*	1	AD-120 Control Door Assembly ONLY (for Gas Models and Electric Models ONLY)
	820003	1	AD-120 Stainless Steel Control Door Assembly ONLY (for Gas Models and Electric Models ONLY)
	820006*	1	ADS-120 Short Control Door ONLY (for Steam Models ONLY)
	820009	1	ADS-120 Stainless Steel Short Control Door ONLY (for Steam Models ONLY)
2	160005	2	Spring Turn Latch (2-piece)
3	112360	1	ADC Logo ONLY
	870011	1	Double Tape Kit
4	150415	9	#10-16 x 1/2" Phillips Round Head Crimptite Screw
5	102600	1	Control Door Support Rod Catch
6	102601	1	Control Door Rod Retainer Clip
7	102505	1	AD-120 Control Door Support Rod

* Specify color when ordering.



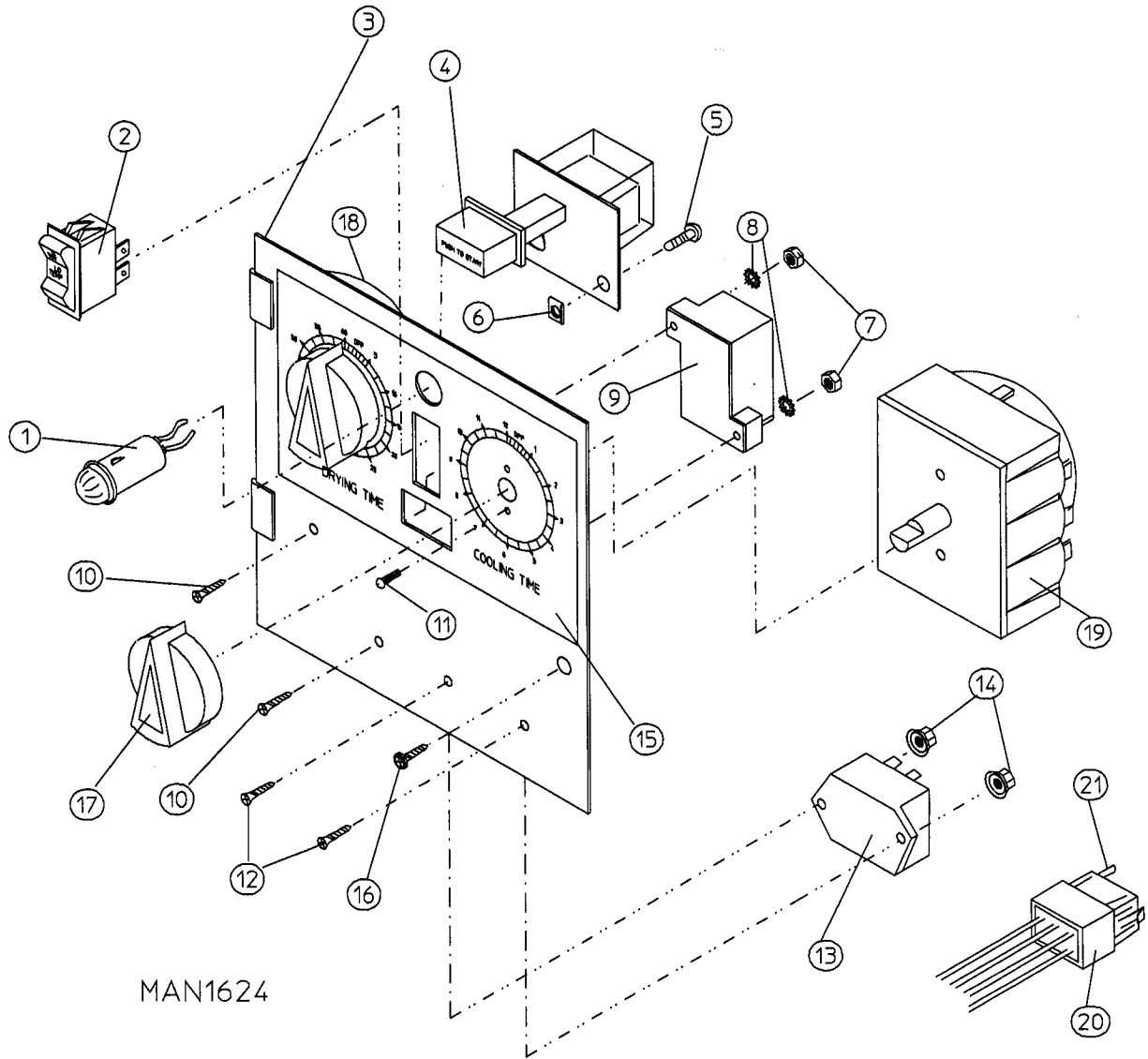
<u>Illus. No.</u>	<u>Part No.</u>	<u>Qty</u>	<u>Description</u>
1	112535	1	OPL English Keyboard Label Assembly
	112276	1	OPL Stick-on Labels (English Only) ... Not Illustrated
	112275	1	OPL Stick-on Labels (Spanish, Italian, and Hebrew) ...Not Illustrated
	112277	1	3-Language OPL Stick-on Labels (English, Spanish, and Hebrew) ... Not Illustrated
	112278	1	5-Language OPL Stick-on Labels (Italian, Dutch, French, German, and Chinese) ... Not Illustrated
2	880836	1	AD-120 Microprocessor Control Panel ONLY
	801260	1	AD-120 Microprocessor Control Panel Only with Battery Bracket
	801215	1	AD-120 Microprocessor Control Panel Assembly Complete (includes illus. nos. 1 through 5 and 7)
	801214	1	AD-120 Microprocessor Control Panel Assembly Complete with Battery Option (includes illus. nos. 1 through 5 and 7)
3	137231	1	Phase 5 OPL Reversing Microprocessor Controller (computer) ONLY
	824998	1	Phase 5 Battery Clip
4	153010	2	#6 Star Washer
5	150005	2	#6-32 x 3/4" Phillips Round Head Machine Screw
6	150415	1	#10-16 x 1/2" Phillips Round Head CrimpTite Screw (for models mfd. as of March 1, 1994)
	160005	1	Spring Turn Latch (2-piece) (for models mfd. prior to March 1, 1994)
7	136048	1	1/8-Amp (Slo Blo) Fuse ONLY

IMPORTANT: Check label on computer chip to verify correct part number for microprocessor (computer).

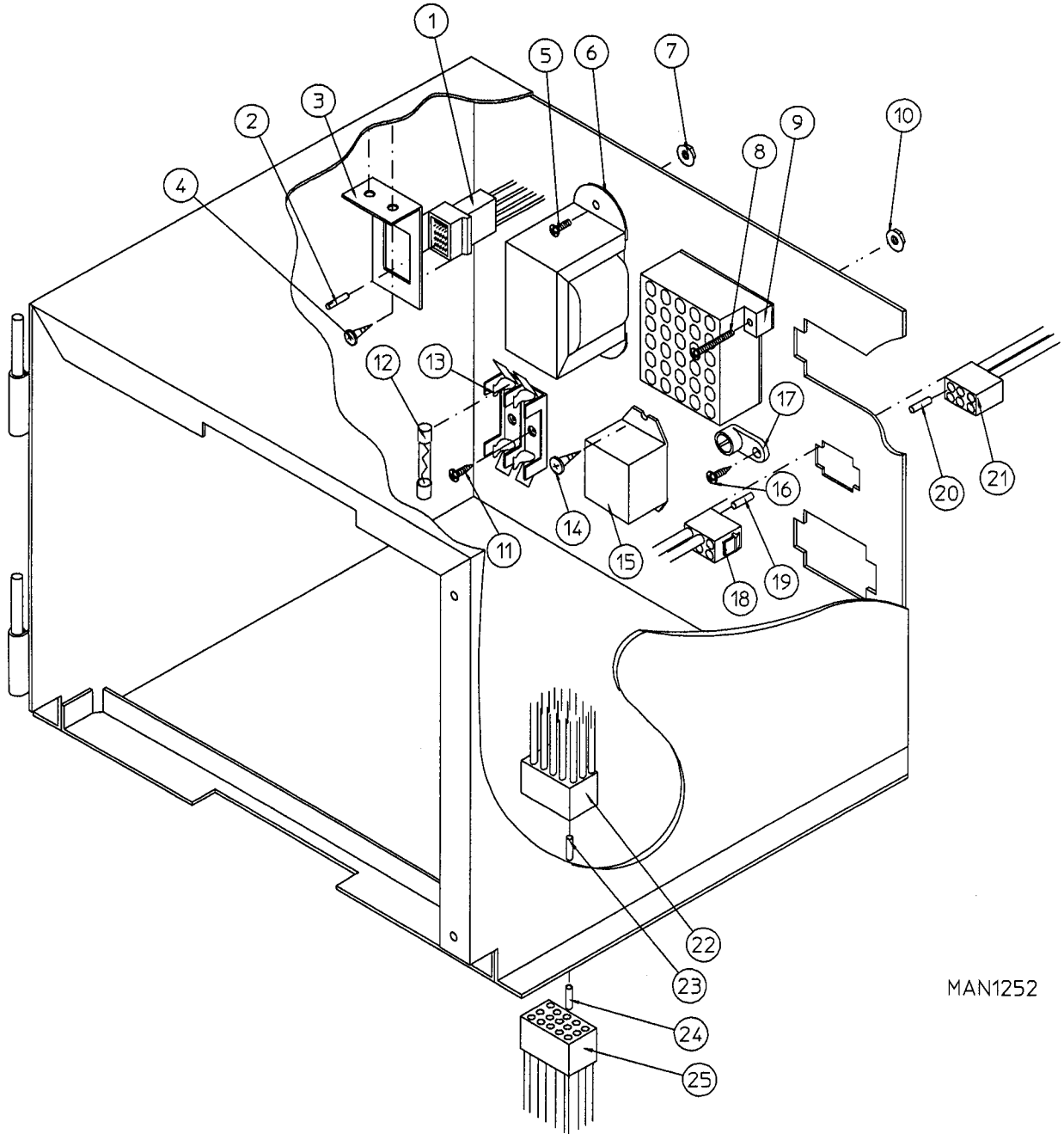


Illus. No.	Part No.	Qty.	Description
1	150100	2	#8-32 x 1/2" Round Head Machine Screw
2	141403	1	24 VAC Transformer - 50/60 Hz
3	151001	2	#8-32 Pal Nut
4	150002	2	#6-32 x 1" Round Head Machine Screw
5	120715	1	30-Position Terminal Block
6	151000	2	#6-32 Pal Nut
7	150102	2 or 3	#8 x 3/8" Phillips Pan Head TEK Screw
8	136057	2	1/2-Amp (Slo Blo) Fuse ONLY
	182453	1	6-Amp Fuse (for Electric Models ONLY)
9	136008	2 or 3	Fuse Block/Strip ONLY
10	150415	2	#10-16 x 1/2" Phillips Round Head Crimptite Screw
11	131932	1	24 VAC Relay (for Electric Models ONLY)
12	150415	1	#10-16 x 1/2" Phillips Round Head Crimptite Screw
13	121010	1	L-70 Ground Lug
14	122631	1	6-Pin Connector ONLY
15	122705	*	Socket Terminal ONLY
16	122704	*	Pin Terminal Only
17	122630	1	6-Pin Connector ONLY
	137025	1	6/15 Position Strain Relief ... Not Illustrated
18	122625	1	15-Pin Connector ONLY
19	122704	12	Pin Terminal ONLY
20	122705	12	Socket Terminal ONLY
21	122626	1	15-Pin Socket Connector ONLY
22	122706	11	Microprocessor Socket ONLY
23	122641	1	15-Pin Microprocessor Connector ONLY
---	122800	1	Microprocessor (female) Pin Extraction Tool
---	122801	1	Pin/Socket Extraction Tool

* As required (either 2 or 3).

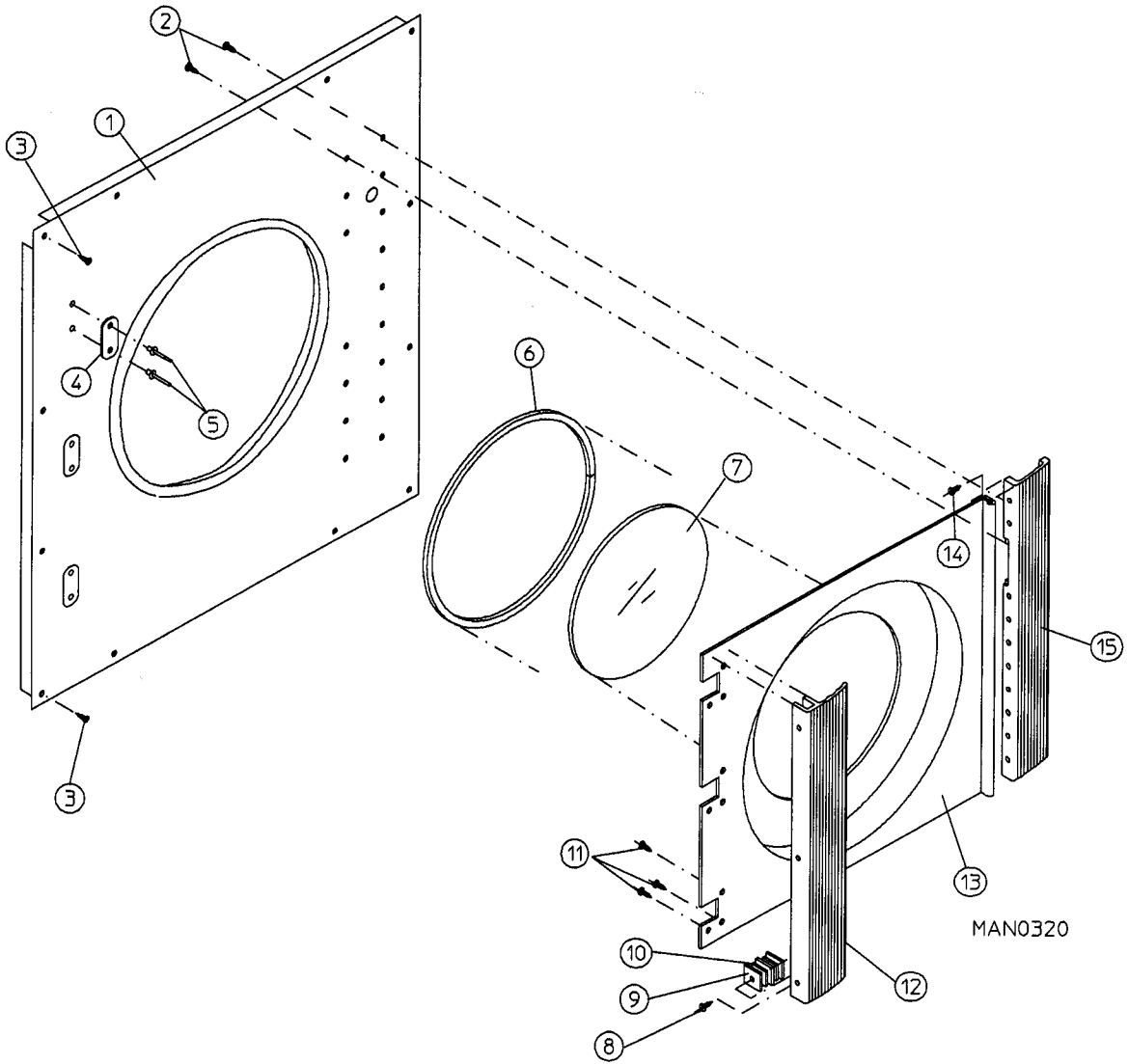


<u>Illus. No.</u>	<u>Part No.</u>	<u>Qty.</u>	<u>Description</u>
1	123005	1	Red Indicator Light - 24 VAC
2	122400	1	Rocker Heat Selector Switch
3	880838	1	AD-120 Dual Timer Control Panel Assembly Complete - 24 VAC (includes illus nos. 1 through 15 and 17 through 21)
	880837	1	AD-120 Dual Timer Control Panel ONLY
4	131917	1	Push to Start Relay - 24 VAC
5	150207	2	#10-24 x 1/2" Round Head Machine Screw
6	154001	2	#10-24 Speed Nut
7	152000	2	#6-32 Hex Nut
8	153010	2	#6 Star Washer
9	120730	1	30-Position Terminal Block (for models mfd. as of May 2, 1993)
	120713	1	18-Position Terminal Block (for models mfd. prior to May 2, 1993)
10	153565	2	#6-32 x 1" Clinch Stud
11	150110	4	#8-32 x 1/4" Phillips Round Head Machine Screw
12	153560	2	#6-32 x 1/2" Clinch Stud
13	131931	1	Dual Timer Relay - 24 VAC
14	151000	2	#6-32 Pal Nut
15	112050	1	Dual Timer Label ONLY
16	150415	1	#10-16 x 1/2" Phillips Round Head Crimptite Screw (for models mfd. as of March 1, 1994)
	160005	1	Spring Turn Latch (2-piece) For models mfd. prior to March 1, 1994
17	124103	2	Arrow Timer Knob
18	124025	1	60 Minute Timer - 24 VAC
19	124030	1	15 Minute Timer - 24 VAC
20	122602	1	9-Pin Connector ONLY
21	122700	7	Pin Terminal ONLY
---	122801	1	Pin/Socket Extraction Tool



MAN1252

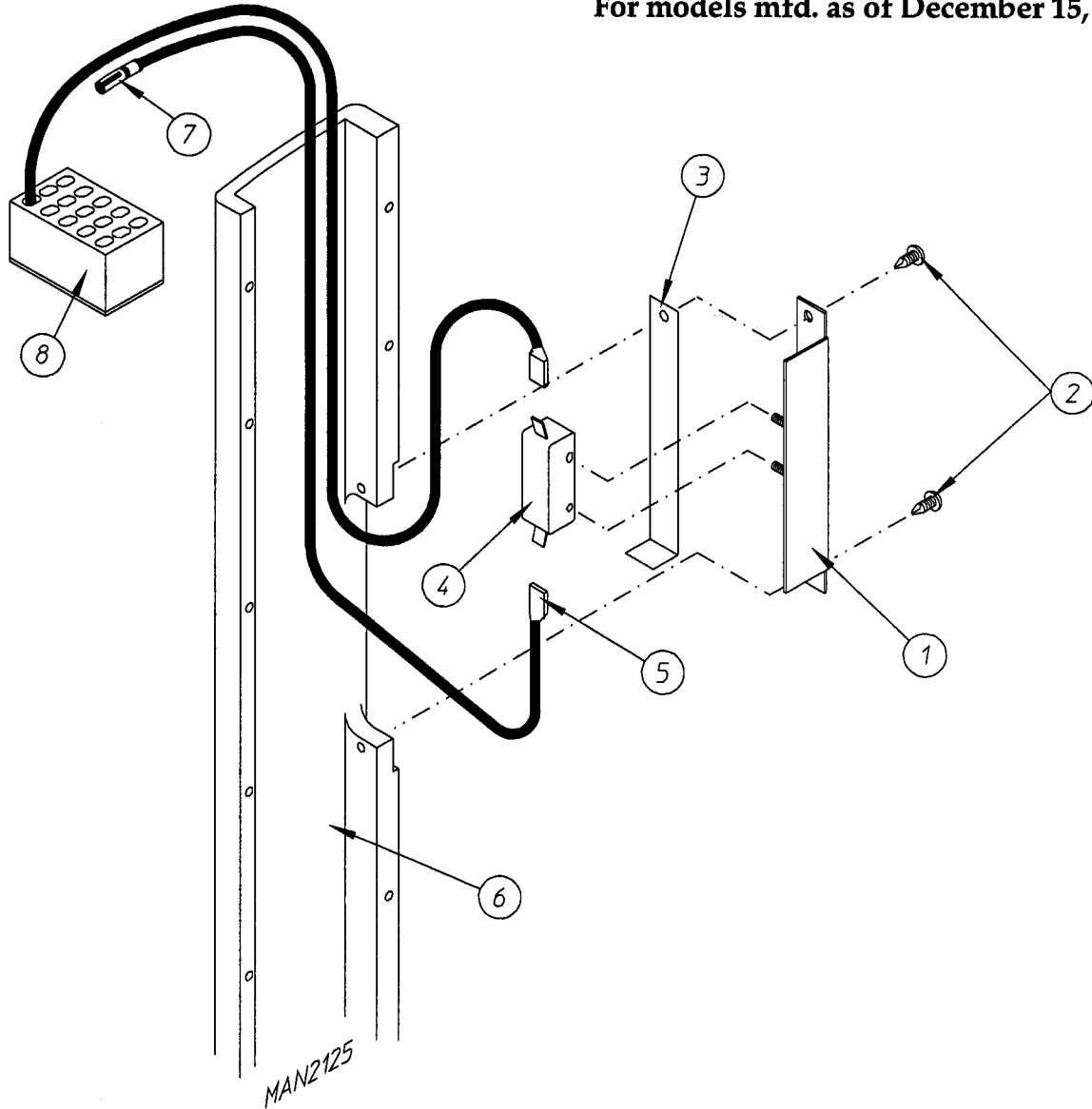
<u>Illus. No.</u>	<u>Part No.</u>	<u>Qty.</u>	<u>Description</u>
1	122603	1	9-Pin Socket Connector
2	122701	7	Socket Terminal ONLY
	122801	1	Pin/Socket Extraction Tool
3	315010	1	9-Pin Connector Bracket
4	150300	2	#10 x 1/2" Hex Washer TEK Screw
5	150100	2	#8-32 x 1/2" Round Head Machine Screw
6	141403	1	24 VAC Transformer - 50/60 Hz
7	151001	2	#8-32 Pal Nut
8	150002	2	#6-32 x 1" Round Head Machine Screw
9	120715	1	30-Position Terminal Block
10	151000	2	#6-32 Pal Nut
11	150301	2 or 3	#8-18 x 7/16" Phillips Pan Head TEK Screw
12	136057	2	1/2-Amp (Slo Blo) Fuse ONLY
	182453	1	6-Amp Fuse (for Electric Models ONLY)
13	136008	2 or 3	Fuse Block/Strip
14	150415	2	#10-16 x 1/2" Phillips Round Head Crimptite Screw
15	131932	1	24 VAC Relay (for Electric Models ONLY)
16	150415	1	#10-16 x 1/2" Phillips Round Head Crimptite Screw
17	121010	1	L-70 Ground Lug
18	122631	1	6-Pin Socket Connector ONLY
19	122705	2	Socket Terminal ONLY
20	122704	2	Pin Terminal ONLY
21	122630	1	6-Pin Connector ONLY
	137025	1	6/15 Position Strain Relief ... Not Illustrated
22	122625	1	15-Pin Connector ONLY
23	122704	10	Pin Terminal ONLY
24	122705	10	Socket Terminal ONLY
25	122626	1	15-Pin Socket Connector ONLY
---	122801	1	Pin/Socket Extraction Tool



<u>Illus. No.</u>	<u>Part No.</u>	<u>Qty.</u>	<u>Description</u>
1	820012*	1	AD-120 Right Hand Front Panel Assembly (includes illus. nos. 1, 4, and 5)
	820014	1	AD-120 Stainless Steel Right Hand Front Panel Assembly (includes illus. nos. 1, 4, and 5)
2	150415	15	#10-16 x 1/2" Phillips Round Head Crimptite Screw
3	150412	12	#10-16 x 3/4" Phillips Round Head Crimptite Screw
4	170340	3	3-1/2" Stainless Steel Striker Pad
5	154200	6	5/32" Pop Rivet
6	102308	1	AD-120 Door Gasket ONLY (94" length)
7	102210	1	20-7/16" Door Glass ONLY
	170730	1	Glass and Gasket Adhesive (10.3 oz. cartridge)
8	150401	3	#10-24 x 1 1/4" Phillips Taptite Screw
9	306801	6	Magnet Keeper ONLY
10	102100	6	1" x 1" x 1/4" Main Door Magnet ONLY
11	150415	9	#10-16 x 1/2" Phillips Round Hand Crimptite Screw
12	180151	1	35" Granite Main Door Handle ONLY (for models mfd. as of March 8, 1993)
	180150	1	35" Gray Main Door Handle ONLY (for models mfd. prior to March 8, 1993)
13	800265*	1	AD-120 Main Door Assembly Complete with Granite Handle (includes illus. nos. 6 through 13) For models mfd. as of March 8, 1993
	800127*	1	AD-120 Main Door Assembly Complete with Gray Handle (includes illus. nos. 6 through 13) For models mfd. prior to March 8, 1993
	800266	1	AD-120 Stainless Steel Main Door Assembly Complete with Granite Handle (includes illus. nos. 6 through 13) For models mfd. as of March 8, 1993
	800128	1	AD-120 Stainless Steel Main Door Assembly Complete with Gray Handle (includes illus. nos. 6 through 13) For models mfd. prior to March 8, 1993
	800122*	1	AD-120 Main Door Assembly with Glass and Gasket ONLY (includes illus. nos. 6, 7, and 13)
	800123	1	AD-120 Stainless Steel Main Door Assembly with Glass and Gasket ONLY (includes illus. nos. 6, 7, and 13)
14	150430	10	#10 x 1/2" Phillips Self Drilling Screw
15	180156	1	35" Granite Main Door Hinge Block ONLY (for models mfd. as of March 8, 1993)
	180155	1	35" Gray Main Door Hinge Block ONLY (for models mfd. prior to March 8, 1993)

* Specify color when ordering.

For models mfd. as of December 15, 1994



Illus. No.	Part No.	Qty.	Description
1	821098	1	AD-120 Main Door Switch Assembly Complete (includes illus. nos. 1 through 4 and 6)
	821097	1	Main Door Switch Bracket Assembly ONLY
	102405	1	Main Door Switch Actuator ONLY
2	150415	2	#10-16 x 1/2" Phillips Round Head Crimptite Screw
3	102405	1	Main Door Switch Actuator
4	137005	1	Main Door Switch ONLY
5	121028	2	1/4" x .032 Insulated Terminal ONLY
6	180156	1	35" Granite Main Door Hinge Block ONLY
7	122705	2	Socket Mate to Split Pin
8	122626	1	15-Pin Cap Housing ONLY (M/L)

